

## Quality Parts

RRE160 / RRE160C / RRE160E / RRE160EC

Valid for machine number ..... 6051502 -

Only valid for machine number ..... 

--	--	--	--	--	--	--	--

Ordering number ..... 262264

Date ..... 2008-10-28 / TP / ESIF

Language..... en sv de fr

CLICK HERE TO **DOWNLOAD** THE COMPLETE MANUAL

- Thank you very much for reading the preview of the manual.
- You can download the complete manual from: [www.heydownloads.com](http://www.heydownloads.com) by clicking the link below



- Please note: If there is no response to CLICKING the link, please download this PDF first and then click on it.

CLICK HERE TO **DOWNLOAD** THE COMPLETE MANUAL

<b>6130-00037</b>	<b>Filters and housing</b> Filter, filterhus; Filter, Gehäuse; Filtres, logement de filtre;	
<b>6140-00038</b>	<b>Hydraulic pump</b> Hydraulpump; Hydraulikpumpe; Pompe hydraulique;	
<b>6210-00071</b>	<b>Main valve unit lift/reach/tilt</b> Huvudventil lyft/utskjut./ tilt; Hauptventil Hub/Schub/Neigung; Soupape principale levage/rétraction/inclinaison;	
<b>6210-00076</b>	<b>Main valve unit lift/reach/tilt</b> Huvudventil lyft/utskjut./ tilt; Hauptventil Hub/Schub/Neigung; Soupape principale levage/rétraction/inclinaison;	<b>Cabin tilt</b>
<b>6220-00054</b>	<b>Control valve ( Other functions )</b> Riktningventil (övriga funktioner); Wegeventil (Zusatzfunktionen); Soupape manuelle (Autres fonctions);	<b>Fork carriage</b>
<b>6220-00055</b>	<b>Control valve ( Other functions )</b> Riktningventil (övriga funktioner); Wegeventil (Zusatzfunktionen); Soupape manuelle (Autres fonctions);	<b>Fork carriage</b>
<b>6220-00059</b>	<b>Control valve ( Other functions )</b> Riktningventil (övriga funktioner); Wegeventil (Zusatzfunktionen); Soupape manuelle (Autres fonctions);	<b>1 extra hydraulic function</b>
<b>6230-00234</b>	<b>Hydraulic lines chassis</b> Chassimonterade hydraulledning; Hydraulikleitungen Chassis; Circuits hydrauliques châssis;	
<b>6230-00240</b>	<b>Hydraulic lines chassis</b> Chassimonterade hydraulledning; Hydraulikleitungen Chassis; Circuits hydrauliques châssis;	<b>Mast / reach</b>
<b>6320-00413</b>	<b>Mast hydraulic lines</b> Stativhydraulledning; Hydraulikleitungen Hubeinrichtung; Circuits hydrauliques mât;	<b>H3 = 4400 - 5700 mm</b>
<b>6320-00414</b>	<b>Mast hydraulic lines</b> Stativhydraulledning; Hydraulikleitungen Hubeinrichtung; Circuits hydrauliques mât;	<b>H3 = 6300 - 10500 mm</b>
<b>6320-00439</b>	<b>Mast hydraulic lines</b> Stativhydraulledning; Hydraulikleitungen Hubeinrichtung; Circuits hydrauliques mât;	<b>Fork carriage</b>
<b>6320-00463</b>	<b>Mast hydraulic lines</b> Stativhydraulledning; Hydraulikleitungen Hubeinrichtung; Circuits hydrauliques mât;	<b>Sideshift</b>
<b>6610-00288</b>	<b>Main lift cylinders</b> Huvudlyftcylinder; Haupthubzylinder; Vérin de levage principal;	<b>H3 = 4400 - 5700 mm</b>
<b>6610-00289</b>	<b>Main lift cylinders</b> Huvudlyftcylinder; Haupthubzylinder; Vérin de levage principal;	<b>H3 = 6300 - 10500 mm</b>
<b>6620-00168</b>	<b>Free lift cylinders</b> Frilyftcylinder; Freihubzylinder; Vérin de levée libre;	
<b>6650-00007</b>	<b>Reach/telescopic cylinders</b> Utskjut-/teleskopcylinder; Vorschub-/Teleskopzylinder; Vérin de rétraction/téléscopique;	
<b>6660-00014</b>	<b>Tilt cylinders</b> Tiltcylinder; Neigezylinder; Vérin d'inclinaison;	
<b>6660-00015</b>	<b>Tilt cylinders</b> Tiltcylinder; Neigezylinder; Vérin d'inclinaison;	
<b>6660-00019</b>	<b>Tilt cylinders</b> Tiltcylinder; Neigezylinder; Vérin d'inclinaison;	<b>Cabin tilt</b>
<b>6670-00028</b>	<b>Other hydraulic cylinders</b> Övriga hydraulcylinder; Übrige hydraul. Zylinder; Autres vérins hydrauliques;	<b>Sideshift</b>



**0390-00433 Battery compartment parts**

[2008-09-08]

Batteriutrymmesdelar; Batterieraumteile; Pièces de compartiment batterie;

Pos	Description	Pcs	Part No	Note
			815 RRE160 815 RRE160C 815 RRE160E 815 RRE160EC	6051502 - 6051502 - 6051502 - 6051502 -
11	<b>Handle</b> Handtag; Handgriff; Poignée.	1	234365	
12	<b>Locking pin</b> Spännstift; Spannstift; Goupille	1	21316	
13	<b>Spring</b> Fjäder; Feder; Ressort	1	244976	
14	<b>Rod</b> Stång; Stange; Tige	1	255972	
15	<b>Clamp</b> Klämma; Klammer; Pincer	1	251080	
16	<b>Screw</b> Skruv; Schraube; Vis	2	230405	
17	<b>Tow bar</b> Dragstång; Zugstange; Timon	1	242271	
18	<b>Screw</b> Skruv; Schraube; Vis	2	24547	
19	<b>Washer</b> Bricka; Scheibe; Rondelle	2	29940	
20	<b>Pipe</b> Rör; Rohr; Tube	2	242344	
21	<b>Pressure spring</b> Tryckfjäder; Druckfeder; Ressort de pression	2	242314	
22	<b>Locking ring</b> Spärring; Schliessring; Circlip	1	20019	
23	<b>Lock plunger</b> Låskolv; Schlossriegel; Fermeture	1	241876	
24	<b>Spring</b> Fjäder; Feder; Ressort	1	213443	
25	<b>Screw(Loop)</b> Skruv(Ögla); Schraube(Öhr); Vis(Boucle)	1	137720	
26	<b>Nut</b> Mutter; Mutter; Ecrou	2	20235	
27	<b>Locking device</b> Låsanordning; Verschluss; verrouillage	1	251008	
28	<b>Lock handel</b> Låshandtag; Schlossbügel; Vis à clef	1	251005	
29	<b>Screw</b> Skruv; Schraube; Vis	7	20750	
30	<b>Distance piece</b> Distans; Distanz; Distance	6	243022	
31	<b>Washer</b> Bricka; Scheibe; Rondelle	6	29940	
32	<b>Nut</b> Mutter; Mutter; Ecrou	8	20249	
33	<b>Bracket</b> Fäste; Halterung; Support	1	251009	





**0810-00204 Overhead guard/roof**

[2008-10-28]

Skyddsståg/-tak; Dachbügel, Dach; Toit de protection;

Pos	Description	Pcs	Part No	Note
			815 RRE160 815 RRE160C 815 RRE160E 815 RRE160EC	6051502 - 6063184 6051502 - 6063184 6051502 - 6063184 6051502 - 6063184
11	<b>Overhead guard(Body)</b> Skyddstak(Stomme); Schutzdach(Gerippe); Protège-conducteur(Ossature)	1	258656	
12	<b>Nut</b> Mutter; Mutter; Ecrou	5	244096	
13	<b>Overhead guard</b> Skyddstak; Schutzdach; Protège-conducteur	1	258657	
14	<b>Screw</b> Skruv; Schraube; Vis	5	259370	
15	<b>Screw</b> Skruv; Schraube; Vis	5	248980	
16	<b>Nut</b> Mutter; Mutter; Ecrou	2	242512	
17	<b>Screw</b> Skruv; Schraube; Vis	2	28545	
18	<b>Plate</b> Plåt; Platte; Plaque	1	238958	
19	<b>Guide</b> Genomföring; Durchführung; Guide	1	235957	
20	<b>Nut</b> Mutter; Mutter; Ecrou	3	20528	
21	<b>Washer</b> Bricka; Scheibe; Rondelle	3	126723-008	
22	<b>Screw</b> Skruv; Schraube; Vis	2	248980	
23	<b>Washer</b> Bricka; Scheibe; Rondelle	3	126723-008	
24	<b>Screw</b> Skruv; Schraube; Vis	3	20446	
25	<b>Pillar</b> Stolpe; Stange; Perche	1	7501731	
26	<b>Section</b> Profil; Profil; Section	1	258966	
27	<b>Screw</b> Skruv; Schraube; Vis	4	29982	
28	<b>Screw</b> Skruv; Schraube; Vis	1	20655	
29	<b>Washer</b> Bricka; Scheibe; Rondelle	3	126723-008	
30	<b>Screw</b> Skruv; Schraube; Vis	2	20446	
31	<b>Distance piece</b> Distans; Distanz; Distance	1	157545	
32	<b>Nut</b> Mutter; Mutter; Ecrou	3	20528	
33	<b>Washer</b> Bricka; Scheibe; Rondelle	3	126723-008	
34	<b>Screw</b> Skruv; Schraube; Vis	4	21820	
35	<b>Washer</b> Bricka; Scheibe; Rondelle	8	126723-006	
36	<b>Nut</b> Mutter; Mutter; Ecrou	4	20170	
37	<b>Panel</b> Panel; Paneel; Panneau	1	258819	
38	<b>Screw</b> Skruv; Schraube; Vis	1	234580	
39	<b>Nut</b> Mutter; Mutter; Ecrou	1	232907	

**0810-00216 Overhead guard/roof**

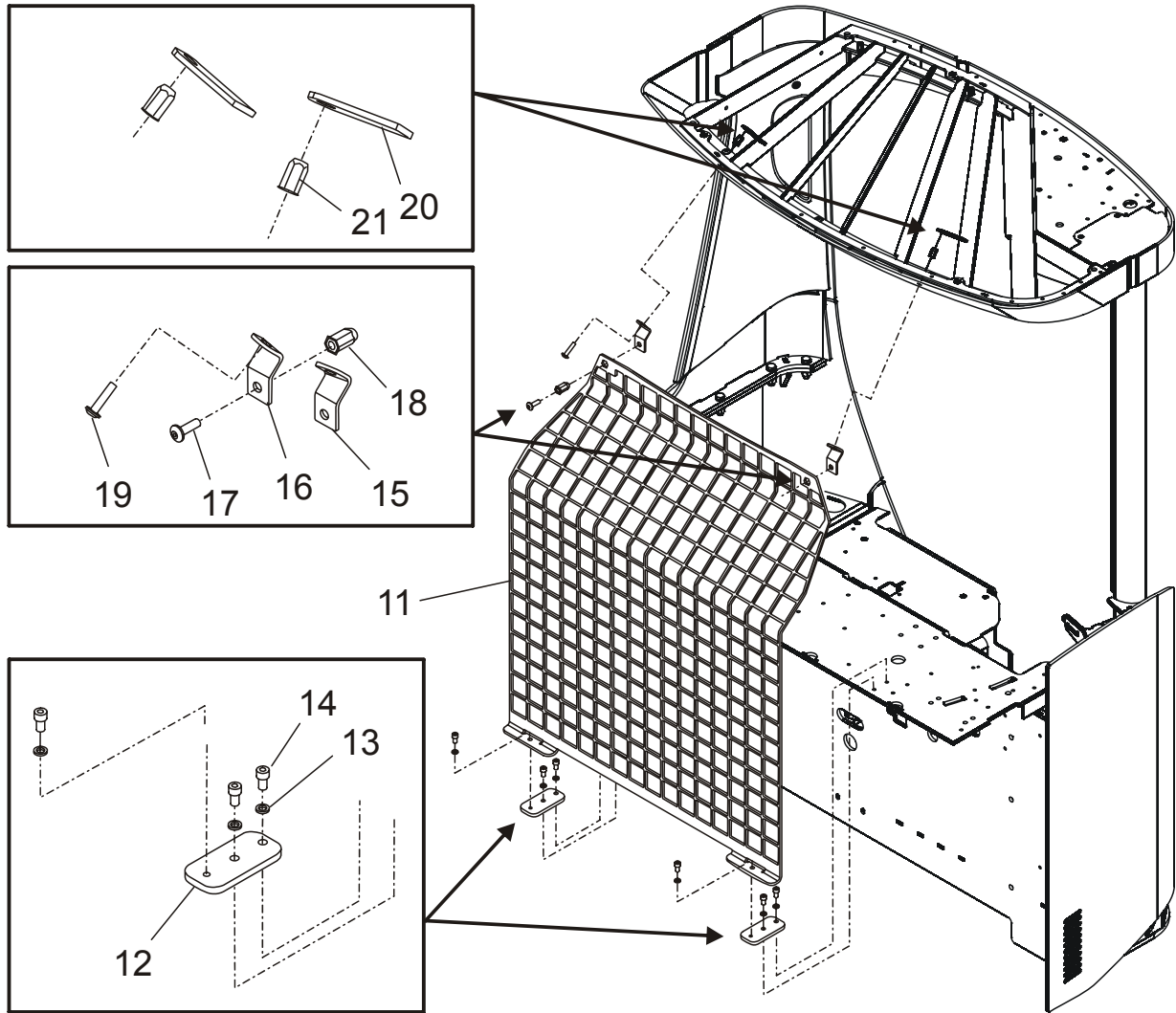
[2008-10-28]

Skyddsåge/-tak; Dachbügel, Dach; Toit de protection;

Pos	Description	Pcs	Part No	Note
			815 RRE160 815 RRE160C 815 RRE160E 815 RRE160EC	6063185 - 6063185 - 6063185 - 6063185 -
11	<b>Overhead guard(Body)</b> Skyddstak(Stomme); Schutzdach(Gerippe); Protège-conducteur(Ossature)	1	258656	
12	<b>Nut</b> Mutter; Mutter; Ecrou	5	244096	
13	<b>Overhead guard</b> Skyddstak; Schutzdach; Protège-conducteur	1	258657	
14	<b>Screw</b> Skruv; Schraube; Vis	5	259370	
15	<b>Screw</b> Skruv; Schraube; Vis	5	248980	
16	<b>Nut</b> Mutter; Mutter; Ecrou	2	242512	
17	<b>Screw</b> Skruv; Schraube; Vis	2	28545	
18	<b>Plate</b> Plåt; Platte; Plaque	1	238958	
19	<b>Guide</b> Genomföring; Durchführung; Guide	1	235957	
20	<b>Nut</b> Mutter; Mutter; Ecrou	3	20528	
21	<b>Washer</b> Bricka; Scheibe; Rondelle	3	126723-008	
22	<b>Screw</b> Skruv; Schraube; Vis	2	248980	
23	<b>Washer</b> Bricka; Scheibe; Rondelle	3	126723-008	
24	<b>Screw</b> Skruv; Schraube; Vis	3	20446	
25	<b>Pillar</b> Stolpe; Stange; Perche	1	227440	
26	<b>Section</b> Profil; Profil; Section	1	258966	
27	<b>Screw</b> Skruv; Schraube; Vis	4	29982	
28	<b>Screw</b> Skruv; Schraube; Vis	1	20542	
29	<b>Washer</b> Bricka; Scheibe; Rondelle	3	126723-008	
30	<b>Screw</b> Skruv; Schraube; Vis	2	224674	
31	<b>Distance piece</b> Distans; Distanz; Distance	1	7501566	
32	<b>Nut</b> Mutter; Mutter; Ecrou	3	20528	
33	<b>Washer</b> Bricka; Scheibe; Rondelle	4	126723-008	
34	<b>Screw</b> Skruv; Schraube; Vis	4	21820	
35	<b>Washer</b> Bricka; Scheibe; Rondelle	8	126723-006	
36	<b>Nut</b> Mutter; Mutter; Ecrou	4	20170	
37	<b>Panel</b> Panel; Paneel; Panneau	1	258819	
38	<b>Screw</b> Skruv; Schraube; Vis	1	234580	
39	<b>Nut</b> Mutter; Mutter; Ecrou	1	232907	

0840-00245

P0032149



0840-00245 Driver protection

Förarskydd; Fahrerschutz; Protection de cariste;

[2008-09-08]

Pos	Description	Pcs	Part No	Note
Grille; Galler; Gatter; Grille			815 RRE160 815 RRE160C 815 RRE160E 815 RRE160EC	6051502 - 6051502 - 6051502 - 6051502 -
11	Grille Galler; Gatter; Grille	1	248392	
12	Plate Plåt; Platte; Plaque	2	249715	
13	Washer Bricka; Scheibe; Rondelle	6	126723-003	
14	Screw Skruv; Schraube; Vis	6	20184	
15	Bracket Fäste; Halterung; Support	1	259862	
16	Bracket Fäste; Halterung; Support	1	259861	
17	Screw Skruv; Schraube; Vis	2	259370	
18	Nut Mutter; Mutter; Ecrou	2	244096	
19	Screw Skruv; Schraube; Vis	2	258161	
20	Plate Plåt; Platte; Plaque	2	258155	

**1760-00170 Electric drive motor**

[2008-09-08]

Elektrisk åkmotor; Elektro-Fahrmotor; Moteur de traction électrique;

Pos	Description	Pcs	Part No	Note
			815 RRE160 815 RRE160C 815 RRE160E 815 RRE160EC	6051502 - 6051502 - 6051502 - 6051502 -
11	Motor(Complete) Motor(Komplett); Motor(Komplett); Moteur(Complet)	1	243892	
12	Sensor(Kit) Sensor(Sats); Fühler(satz); Détecteur(Jeux)	1	255119	Speed Hastighet; Geschwindigkeit; Vitesse
13	Screw(Kit) Skruv(Sats); Schraube(satz); Vis(Jeux)	1	255118	
14	End shield(Kit) Lagersköld(Sats); Lagerschild(satz); Bouclier(Jeux)	1	255116	
15	Bearing(Kit) Lager(Sats); Lager(satz); Roulement(Jeux)	1	255120	
16	Sensor(Temperature) Givare(Temperatur); Geber(Temperatur); Capteur(Température)	1	257712	
18	Terminal board(Kit) Uttagsplint(Sats); Klemmbrett(satz); Borne(Jeux)	1	255117	
19	End shield Lagersköld; Lagerschild; Bouclier	1	255115	

**3550-00477 Fork/support arm wheels**

[2008-09-30]

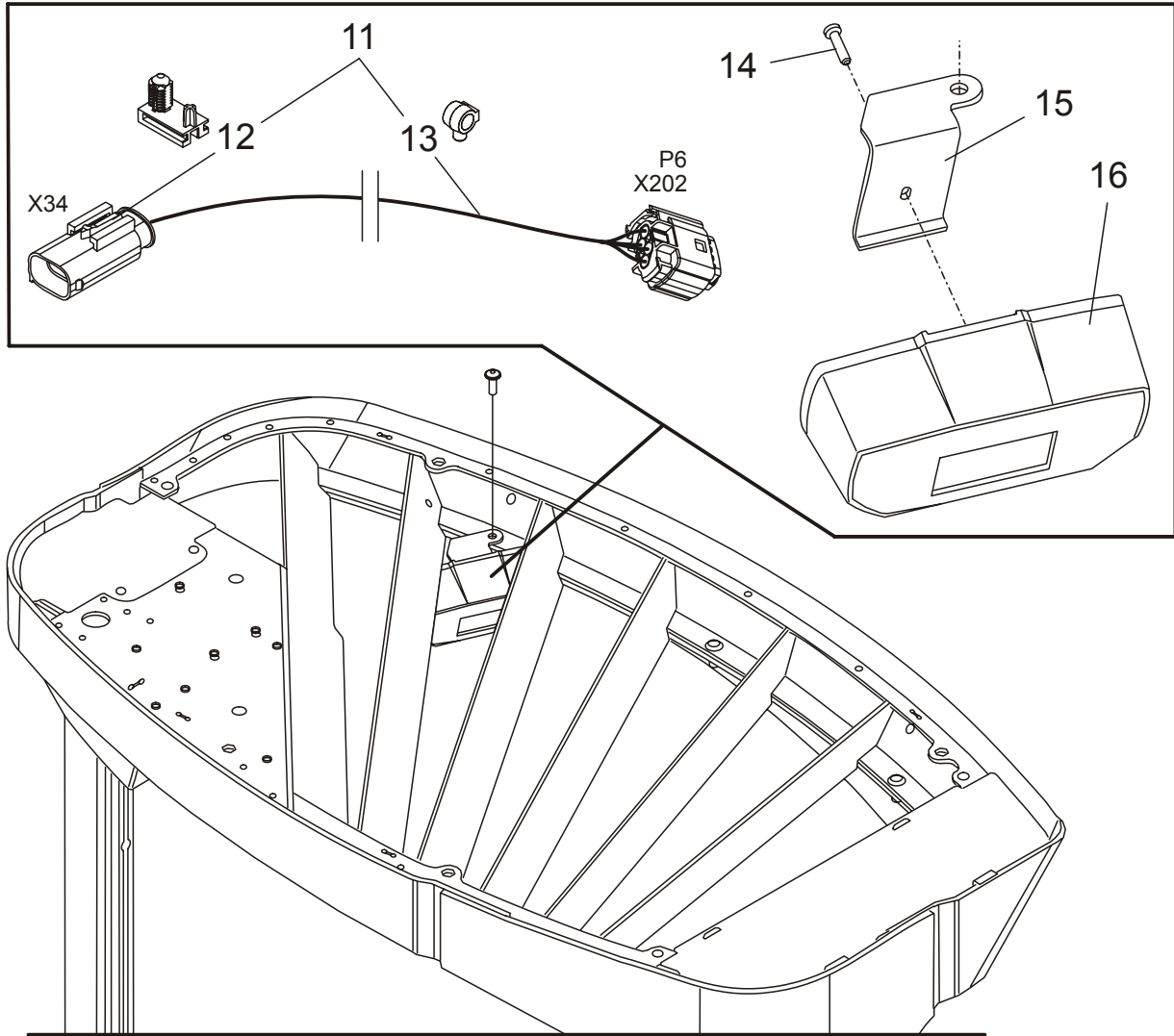
Gaffel-/stödbenshjul; Gabel-/Stützarmrollen; Roues bras-support;

Pos	Description	Pcs	Part No	Note
<i>Support arm wheel with brake; Stödbenshjul, bromsad; Spreizenrad mit bremse; Roue de longeron, avec frein</i>			815 RRE160 815 RRE160C 815 RRE160E 815 RRE160EC	6051502 - 6051502 - 6051502 - 6051502 -
11	<b>Wheel complete</b> Hjul komplett; Rad komplett; Roue complete	2	241650	
12	<b>Wheel</b> Hjul; Rad; Roue	2	241651	
13	<b>Sleeve</b> Hylsa; Hülse; Douille	2	241655	
14	<b>Locking ring</b> Spärring; Schliessring; Circlip	4	20076	
15	<b>Roller bearing</b> Rullager; Rollenlager; Palier à roleaux	2	226355	
16	<b>Washer</b> Bricka; Scheibe; Rondelle	2	239164	
17	<b>Washer</b> Bricka; Scheibe; Rondelle	2	239163	
18	<b>Sleeve</b> Hylsa; Hülse; Douille	4	240286	
18	<b>Sleeve</b> Hylsa; Hülse; Douille	4	260491	<b>Cold stores</b> Fryshus; Gefrieranlage; Chambre frigorifique
19	<b>Sleeve</b> Hylsa; Hülse; Douille	4	241654	
19	<b>Sleeve</b> Hylsa; Hülse; Douille	4	260493	<b>Cold stores</b> Fryshus; Gefrieranlage; Chambre frigorifique
20	<b>Washer</b> Bricka; Scheibe; Rondelle	4	126723-006	
21	<b>Screw</b> Skruv; Schraube; Vis	4	241620	
21	<b>Screw</b> Skruv; Schraube; Vis	4	260490	<b>Cold stores</b> Fryshus; Gefrieranlage; Chambre frigorifique
22	<b>Bracket</b> Fäste; Halterung; Support	4	244707	<b>Wiring harness</b> Kablage; Kabelsatz; Câblage
23	<b>Bracket</b> Fäste; Halterung; Support	8	243267	<b>Welding</b> Svetsning; Schweisserei; Soudage
24	<b>Bracket</b> Fäste; Halterung; Support	4	243269	<b>Welding</b> Svetsning; Schweisserei; Soudage
25	<b>Screw</b> Skruv; Schraube; Vis	2	22729	



5200-00048

P0031624



**5200-00048 Instrument panel, display**

[2008-09-08]

Instrumentpanel, display; Instrumentenpanel, Display; Tableau de bord, afficheur;

Pos	Description	Pcs	Part No	Note
<i>Load information display LID; Last information display LID; Last information display LID; Charge information display LID</i>			815 RRE160 815 RRE160C 815 RRE160E 815 RRE160EC	6051502 - 6051502 - 6051502 - 6051502 -
11	Wiring harness Kablage; Kabelsatz; Câblage	1	249661	
12	Bracket Fäste; Halterung; Support	1	251113	
13	Clamp Klamma; Rohrschelle; Collier	3	156268-001	4,5 mm
14	Screw Skruv; Schraube; Vis	1	248980	
15	Bracket Fäste; Halterung; Support	1	233874	
16	Display(LID) Display; Display; Display	1	227817	
16	Display(LID) Display; Display; Display	1	247020	Cold stores Fryshus; Gefrieranlage; Chambre frigorifique

CLICK HERE TO **DOWNLOAD** THE COMPLETE MANUAL

- Thank you very much for reading the preview of the manual.
- You can download the complete manual from: [www.heydownloads.com](http://www.heydownloads.com) by clicking the link below



- Please note: If there is no response to CLICKING the link, please download this PDF first and then click on it.

CLICK HERE TO **DOWNLOAD** THE COMPLETE MANUAL

**5280-00119 Level/position transducers/lamps**

[2008-09-08]

Nivå-/lägesmätare/-lampa; Niveau-/Positions/-geber/-lampe; Capteur/lampes témoins de niveau/  
position;

Without altimetry; Utan höjvindikering; Ohne höhenmessung; Sans altimètre		815 RRE160 815 RRE160C 815 RRE160E 815 RRE160EC		6051502 - 6051502 - 6051502 - 6051502 -	
Pos	Description	Pcs	Part No	Note	
11	<b>Bracket</b> Fäste; Halterung; Support	1	253992		
12	<b>Sensing device</b> Induktivgivare; Fühler; Emetteur	1	241868		
13	<b>Sensing device</b> Induktivgivare; Fühler; Emetteur	1	227581		
14	<b>Nut</b> Mutter; Mutter; Ecrou	4	25699		
15	<b>Screw</b> Skruv; Schraube; Vis	4	177005		
16	<b>Screw</b> Skruv; Schraube; Vis	2	20365		
17	<b>Washer</b> Bricka; Scheibe; Rondelle	2	20404		
18	<b>Screw</b> Skruv; Schraube; Vis	2	21207		
19	<b>Washer</b> Bricka; Scheibe; Rondelle	2	20404		
20	<b>Bracket</b> Fäste; Halterung; Support	1	254188		
21	<b>Nut</b> Mutter; Mutter; Ecrou	2	25699		
22	<b>Screw</b> Skruv; Schraube; Vis	2	177005		
23	<b>Sensing device</b> Induktivgivare; Fühler; Emetteur	1	227581		
24	<b>Consol</b> Konsol; Konsole; Console	1	254187		
25	<b>Screw</b> Skruv; Schraube; Vis	2	20230		
26	<b>Bracket</b> Fäste; Halterung; Support	1	261904		
27	<b>Washer</b> Bricka; Scheibe; Rondelle	2	20375		
28	<b>Screw</b> Skruv; Schraube; Vis	2	21750		
29	<b>Sensing device</b> Induktivgivare; Fühler; Emetteur	1	227581		
30	<b>Nut</b> Mutter; Mutter; Ecrou	2	25699		
31	<b>Screw</b> Skruv; Schraube; Vis	2	177005		
32	<b>Plate</b> Plåt; Platte; Plaque	1	251955	<b>Welding</b> Svetsning; Schweisserei; Soudage	

**5430-00141 Drive motor cables/resistors/fuses**

[2008-09-08]

Drivmotorkablar/-motstånd/-säkring; Fahrmotorkabel/-widerstand/-sicherung; Câbles/résistances/  
fusible moteur de traction;

Pos	Description	Pcs	Part No	Note
			815 RRE160 815 RRE160C 815 RRE160E 815 RRE160EC	6051502 - 6051502 - 6051502 - 6051502 -
11	<b>Wiring harness</b> Kablage; Kabelsatz; Câblage	1	255668	
12	<b>Nut</b> Mutter; Mutter; Erou	6	20081	
13	<b>Washer</b> Bricka; Scheibe; Rondelle	6	22528	
14	<b>Nut</b> Mutter; Mutter; Erou	12	224065	
15	<b>Copper bar</b> Kopparskena; Kupferstab; Plaque de cuivre	2	254575	
16	<b>Fuse(160 A)</b> Säkring; Sicherung; Fusible	1	173172-160	<b>Driving</b> Akning; Faharen; Translation
17	<b>Fuse(250 A)</b> Säkring; Sicherung; Fusible	1	173172-250	<b>Lift</b> Lyft; Hebe; Levage
18	<b>Washer</b> Bricka; Scheibe; Rondelle	6	232183	
19	<b>Nut</b> Mutter; Mutter; Erou	1	20045	
20	<b>Washer</b> Bricka; Scheibe; Rondelle	1	28398	
21	<b>Washer</b> Bricka; Scheibe; Rondelle	1	20348	
22	<b>Copper bar</b> Kopparskena; Kupferstab; Plaque de cuivre	1	257434	

**Quality Parts**

5590-00399

Pos	Description	Pcs	Part No	Note
18	Bracket Fäste; Halterung; Support	1	251113	



**5680-00168 Battery/motor cables, fuse**

[2008-09-08]

Batteri-/motorkablar, säkring; Batterie-/Motorkabel, Sicherung; Câbles de batterie/moteur, fusible;

		815 RRE160 815 RRE160C		6051502 - 6051502 -	
Pos	Description	Pcs	Part No	Note	
12	<b>Contact(Battery)</b> Kontakt(Batteri); Kontakt(Batterie); Contact(Batterie)	1	226409	<b>Female</b> Hona; Weibchen; Femelle	
13	<b>Screw</b> Skruv; Schraube; Vis	4	24609		
14	<b>Washer</b> Bricka; Scheibe; Rondelle	4	20375		
15	<b>Nut</b> Mutter; Mutter; Erou	4	20433		
16	<b>Distance piece</b> Distans; Distanz; Distance	1	244890		
17	<b>Nut</b> Mutter; Mutter; Erou	3	224065		
18	<b>Washer</b> Bricka; Scheibe; Rondelle	3	126723-012		
19	<b>Nut</b> Mutter; Mutter; Erou	1	224065		
20	<b>Washer</b> Bricka; Scheibe; Rondelle	1	126723-012		
21	<b>Copper bar</b> Kopparskena; Kupferstab; Plaque de cuivre	1	254848		
22	<b>Copper bar</b> Kopparskena; Kupferstab; Plaque de cuivre	1	258513		
23	<b>Clamp</b> Klamma; Rohrschelle; Collier	3	226073		
24	<b>Washer</b> Bricka; Scheibe; Rondelle	3	20375		
25	<b>Nut</b> Mutter; Mutter; Erou	3	20433		
26	<b>Wiring harness</b> Kablage; Kabelsatz; Câblage	1	233480		
27	<b>Clamp</b> Klamma; Rohrschelle; Collier	3	156268-001		
28	<b>Clamp</b> Klamma; Rohrschelle; Collier	3	232817-004		
29	<b>Protection</b> Skydd; Schutz; Protègege	1	232105		
30	<b>Protection</b> Skydd; Schutz; Protègege	1	243889		
31	<b>Nut</b> Mutter; Mutter; Erou	1	20045		
32	<b>Washer</b> Bricka; Scheibe; Rondelle	1	28398		
33	<b>Washer</b> Bricka; Scheibe; Rondelle	1	20348		

**5850-00014 Positioning probes/sensors**

[2008-09-08]

Positioneringsgivare/-sensor; Positionsgeber/-sensor; Capteurs de positionnement;

Measuring; Mätning; Messung; Mesurage		815 RRE160 815 RRE160C 815 RRE160E 815 RRE160EC		6051502 - 6051502 - 6051502 - 6051502 -	
Pos	Description	Pcs	Part No	Note	
11	<b>Nut</b> Mutter; Mutter; Erou	2	20249		
12	<b>Washer</b> Bricka; Scheibe; Rondelle	2	20375		
13	<b>Cover plate</b> Täckplåt; Deckblech; Protecteur en tôle	1	253481-001	L = 820 mm	
13	<b>Cover plate</b> Täckplåt; Deckblech; Protecteur en tôle	1	253481-002	L = 685 mm	
14	<b>Plate</b> Plåt; Platte; Plaque	1	253480		
15	<b>Sensing device</b> Induktivgivare; Fühler; Emetteur	2	227581		
16	<b>Nut</b> Mutter; Mutter; Erou	4	25699		
17	<b>Screw</b> Skruv; Schraube; Vis	4	20243		
18	<b>Nut</b> Mutter; Mutter; Erou	2	20249		
19	<b>Washer</b> Bricka; Scheibe; Rondelle	2	20375		
20	<b>Screw</b> Skruv; Schraube; Vis	2	22415		
21	<b>Bracket</b> Fäste; Halterung; Support	6	225787		
22	<b>Bracket</b> Fäste; Halterung; Support	6	225788		
23	<b>Nut</b> Mutter; Mutter; Erou	2	20249		
24	<b>Friction block</b> Glidkloss; Gleitstück; Curseur	4	246966		
25	<b>Measuring rule</b> Mätlinjal; Messlineal; Règle à vernier	1	253479-001	L = 890 mm	
25	<b>Measuring rule</b> Mätlinjal; Messlineal; Règle à vernier	1	253479-002	L = 755 mm	
26	<b>Screw</b> Skruv; Schraube; Vis	2	22415		
27	<b>Section</b> Profil; Profil; Section	1	255246-001	L = 805 mm	
27	<b>Section</b> Profil; Profil; Section	1	255246-002	L = 670 mm	
28	<b>Bracket</b> Fäste; Halterung; Support	1	248226		

**6210-00076 Main valve unit lift/reach/tilt**

[2008-10-22]

Huvudventil lyft/utskjut./ tilt; Hauptventil Hub/Schub/Neigung; Soupape principale levage/rétraction/inclinaison;

Cabin tilt; Hyttilt; Umklappbar Kabinen; Cabine oscillant			815 RRE160E 815 RRE160EC	6051502 - 6051502 -
Pos	Description	Pcs	Part No	Note
11	Valve unit(Complete) Ventilblock(Komplett); Ventileinheit(Komplett); Soupape unit(Complect)	1	244462	
12	Packing set Packningssats; Packungssatz; Jeux d' étanchéité.	1	259543	
13	Valve Ventil; Ventil; Soupape	2	259535	
14	Connection Koppling; Kupplung; Raccord	2	241609	
15	Valve(Flow) Ventil(Flödes); Ventil(Fluss); Soupape(Flux)	1	259544	
16	Valve Ventil; Ventil; Soupape	5	259533	
17	Valve Ventil; Ventil; Soupape	1	259534	
18	Magnetic coil Magnetspole; Magnetspule; Bobine électrique	4	259540	
19	Valve Ventil; Ventil; Soupape	1	259538	
20	Valve Ventil; Ventil; Soupape	1	259537	
21	Valve Ventil; Ventil; Soupape	1	259541	
22	Connection Koppling; Kupplung; Raccord	5	241610	
23	Magnetic coil Magnetspole; Magnetspule; Bobine électrique	4	259540	
24	Pipe(Magnet) Rör(Magnet); Rohr(Magnet); Tube(Magnétique)	2	259545	
25	Nut(Plastic) Mutter(Plast); Mutter(Kunststoff); Ecrou(Plastique)	10	259547	
26	Bracket Fäste; Halterung; Support	2	257768	
27	Valve Ventil; Ventil; Soupape	1	259534	
28	Connection Koppling; Kupplung; Raccord	4	241608	
29	Pipe(Magnet) Rör(Magnet); Rohr(Magnet); Tube(Magnétique)	2	259546	
30	Magnetic coil Magnetspole; Magnetspule; Bobine électrique	2	259539	
31	Nipple Nippel; Nippel; Nipple	1	117430-008	
32	Valve Ventil; Ventil; Soupape	2	259536	
40	Pressure transducer Tryckgivare; Druckgeber; Capteur de pression	1	7503414	
41	Screw Skruv; Schraube; Vis	2	20050	
42	Washer Bricka; Scheibe; Rondelle	2	20404	

**6320-00413 Mast hydraulic lines**

[2008-09-08]

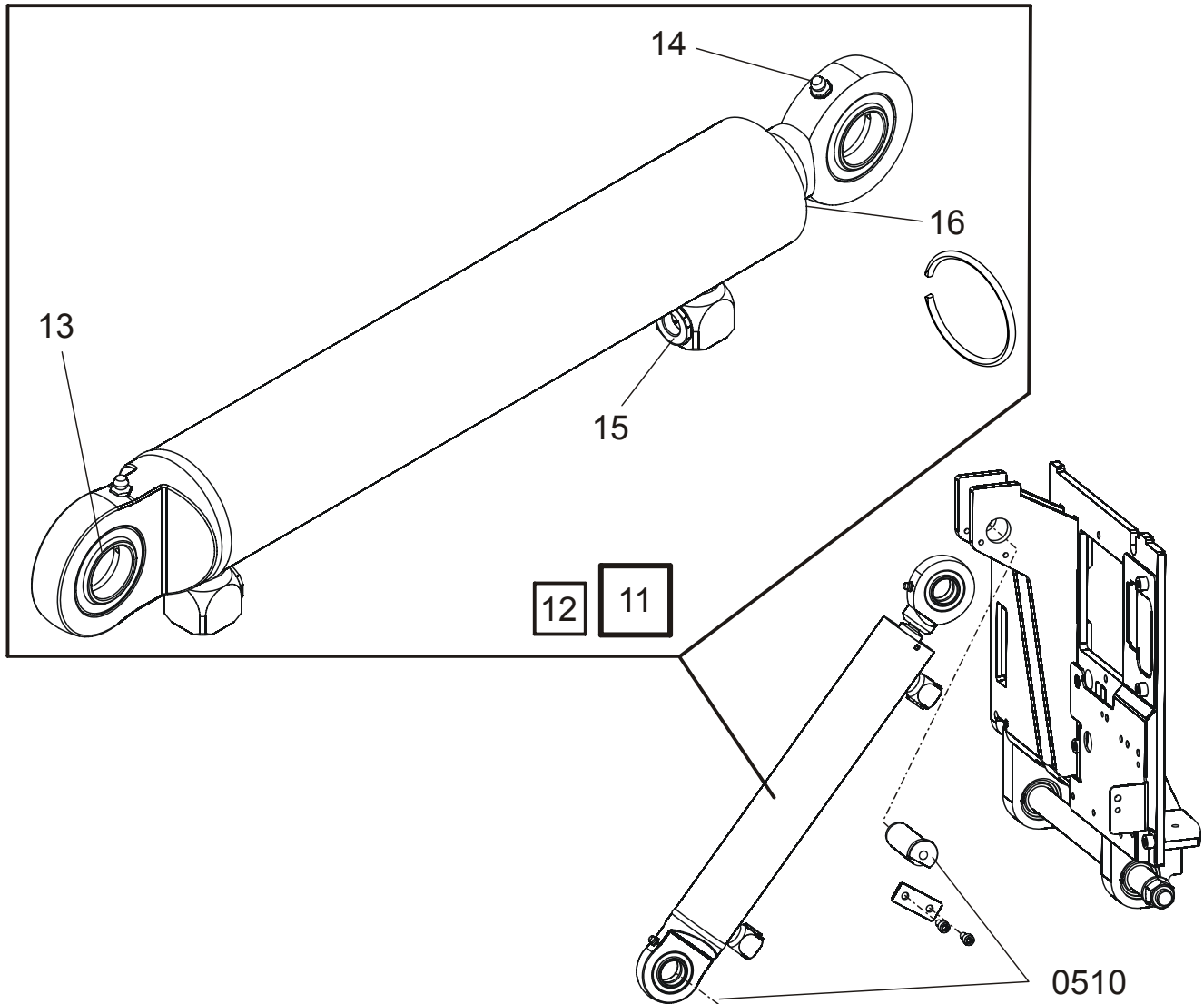
Stativhydraulledningar; Hydraulikleitungen Hubeinrichtung; Circuits hydrauliques mât;

H3 = 4400 - 5700 mm		815 RRE160 815 RRE160C 815 RRE160E 815 RRE160EC		6051502 - 6051502 - 6051502 - 6051502 -	
Pos	Description	Pcs	Part No	Note	
11	Hose Slang; Schlauch; Tuyau flexible	1	227216-440	H3 = 4400 mm	
11	Hose Slang; Schlauch; Tuyau flexible	1	227216-480	H3 = 4800 mm	
11	Hose Slang; Schlauch; Tuyau flexible	1	227216-540	H3 = 5400 mm	
11	Hose Slang; Schlauch; Tuyau flexible	1	227216-570	H3 = 5700 mm	
12	Hose Slang; Schlauch; Tuyau flexible	1	227648-440	H3 = 4400 mm	
12	Hose Slang; Schlauch; Tuyau flexible	1	227648-480	H3 = 4800 mm	
12	Hose Slang; Schlauch; Tuyau flexible	1	227648-540	H3 = 5400 mm	
12	Hose Slang; Schlauch; Tuyau flexible	1	227648-570	H3 = 5700 mm	
13	Hose Slang; Schlauch; Tuyau flexible	1	227649-440	H3 = 4400 mm	
13	Hose Slang; Schlauch; Tuyau flexible	1	227649-480	H3 = 4800 mm	
13	Hose Slang; Schlauch; Tuyau flexible	1	227649-540	H3 = 5400 mm	
13	Hose Slang; Schlauch; Tuyau flexible	1	227649-570	H3 = 5700 mm	
14	Pipe Rör; Rohr; Tube	1	227206-440	H3 = 4400 mm	
14	Pipe Rör; Rohr; Tube	1	227206-480	H3 = 4800 mm	
14	Pipe Rör; Rohr; Tube	1	227206-540	H3 = 5400 mm	
14	Pipe Rör; Rohr; Tube	1	227206-570	H3 = 5700 mm	
15	Connection Koppling; Kupplung; Raccord	1	28797		
16	Connection Koppling; Kupplung; Raccord	1	254519		
17	Hose break valve Slangbrottventil; Schlauchbruchventil; Valve de gonflement (rupture)	1	254250-001		
18	Screw Skruv; Schraube; Vis	2	21141		
19	Washer Bricka; Scheibe; Rondelle	2	20404		
20	Consol Konsol; Konsole; Console	1	253418		
21	Roller Rulle; Rolle; Roleau	2	253405		
22	Washer Bricka; Scheibe; Rondelle	2	20013		
23	Locking ring Spärring; Schliessring; Circlip	2	20019		
24	Bracket Fäste; Halterung; Support	1	256896		
25	Screw Skruv; Schraube; Vis	2	20333		
26	Connection Koppling; Kupplung; Raccord	2	254520		
27	Bracket Fäste; Halterung; Support	1	253413		
28	Screw Skruv; Schraube; Vis	2	243423		



6660-00019

P0032555

**6660-00019 Tilt cylinders**

Tiltcylinder; Neigezylinder; Vérin d'inclinaison;

[2008-08-26]

Cabin tilt; Hyttilt; Umklappbar Kabinen; Cabine oscillant		815 RRE160E 815 RRE160EC		6051502 - 6051502 -	
Pos	Description	Pcs	Part No	Note	
11	Tilting cylinder(Complete) Tiltcylinder(Komplett); Neigezylinder(Komplett); Verin de inclination(Complett)	1	224090		
12	Seal kit Tätningssats; Dichtungssatz; Jeux d'étanchéité	1	259195		
13	Bearing Lager; Lager; Roulement	2	28198		
14	Greasing nipple Smörjnippel; Smiernippel; Graisseur	2	28255		
15	Connection Koppling; Kupplung; Raccord	2	241608		
16	Locking wire Låstråd; Sicherungsdraht; Fil de blocage	1	259194		

**7120-00539 Main lift chain system**

[2008-09-08]

Huvudlyftkedjesystem; Haupthubkettensystem; Système de chaîne de levage mât principal;

H3 = 6300 - 10500 mm		815 RRE160 815 RRE160C 815 RRE160E 815 RRE160EC		6051502 - 6051502 - 6051502 - 6051502 -	
Pos	Description	Pcs	Part No	Note	
11	Chain complete Kedja komplett; Ketten komplett ; Chaîne complete	1	255772-105	H3 = 10500 mm	
11	Chain complete Kedja komplett; Ketten komplett ; Chaîne complete	1	255772-630	H3 = 6300 mm	
11	Chain complete Kedja komplett; Ketten komplett ; Chaîne complete	1	255772-675	H3 = 6750 mm	
11	Chain complete Kedja komplett; Ketten komplett ; Chaîne complete	1	255772-700	H3 = 7000 mm	
11	Chain complete Kedja komplett; Ketten komplett ; Chaîne complete	1	255772-750	H3 = 7500 mm	
11	Chain complete Kedja komplett; Ketten komplett ; Chaîne complete	1	255772-800	H3 = 8000 mm	
11	Chain complete Kedja komplett; Ketten komplett ; Chaîne complete	1	255772-850	H3 = 8500 mm	
11	Chain complete Kedja komplett; Ketten komplett ; Chaîne complete	1	255772-900	H3 = 9000 mm	
11	Chain complete Kedja komplett; Ketten komplett ; Chaîne complete	1	255772-950	H3 = 9500 mm	
12	Chain bolt Kedjebult; Kettenbolzen; Tourillon de chaîne	2	101333		
13	Washer Bricka; Scheibe; Rondelle	4	20404		
14	Cotter pin Saxpinne; Gespalter stift; Goupille fendue	4	208430		
15	Axle Axel; Achse; Axe	2	252249		
17	Nut Mutter; Mutter; Ecrou	1	20390		
19	Cotter pin Saxpinne; Gespalter stift; Goupille fendue	2	20312		
20	Washer Bricka; Scheibe; Rondelle	2	21431		
21	Nut Mutter; Mutter; Ecrou	2	20006		
22	Nut Mutter; Mutter; Ecrou	2	20528		
23	Chain wheel(Complete) Kedjehjul(Komplett); Kettenrad(Komplett); Roue de chaîne(Comple)	2	176012		
24	Axle Axel; Achse; Axe	2	137853		
25	Washer Bricka; Scheibe; Rondelle	2	20236		
26	Screw Skruv; Schraube; Vis	2	20118		
27	Chain wheel(Complete) Kedjehjul(Komplett); Kettenrad(Komplett); Roue de chaîne(Comple)	1	176013		
28	Axle Axel; Achse; Axe	1	101298		
29	Washer Bricka; Scheibe; Rondelle	1	20236		
30	Screw Skruv; Schraube; Vis	1	20118		
31	Locking pin Spännstift; Spannstift; Goupille	1	21316		
32	Washer Bricka; Scheibe; Rondelle	1	126723-006		
33	Screw Skruv; Schraube; Vis	1	29409		
34	Chain wheel(Complete) Kedjehjul(Komplett); Kettenrad(Komplett); Roue de chaîne(Comple)	1	176013		

**7130-00297 Main mast fork carriage**

[2008-09-08]

Huvudstativokvagn; Gabel-/Aggregattr ager Haupthubger ust; Tablier porte-fourches m at principal;

Pos	Description	Pcs	Part No	Note
			815 RRE160 815 RRE160C 815 RRE160E 815 RRE160EC	6051502 - 6051502 - 6051502 - 6051502 -
11	Rod(Complete) St�ang(Komplett); Stange(Komplett); Tige(Complet)	1	152775-150	F = 480 mm, S = + - 75 mm
12	Bearing Lager; Lager; Roulement	2	21156	
13	Locking ring Sp�arring; Schliessring; Circlip	2	21157	
14	Locking ring Sp�arring; Schliessring; Circlip	2	20019	
15	Fork yoke Gaffelok; Gabeljoch; Porte-fourche	1	223854	H = 690 mm, S = + - 75 mm
15	Fork yoke Gaffelok; Gabeljoch; Porte-fourche	1	223855	Without E Utan E; Ohne E; Sans E
16	Screw Skruv; Schraube; Vis	2	20459	L = 25 mm
16	Screw Skruv; Schraube; Vis	2	29985	L = 30 mm
17	Slide plate Glidplatta; Gleitplatte; Plaque de incline	1	147567	
18	Bracket F�aste; Halterung; Support	1	148527	W = 38 mm
18	Bracket F�aste; Halterung; Support	1	157288	W = 43,5 mm
19	Bracket F�aste; Halterung; Support	1	251922	
20	Slide plate Glidplatta; Gleitplatte; Plaque de incline	1	147568	
21	Locking pin Sp�annstift; Spannstift; Goupille	1	20174	
22	Screw Skruv; Schraube; Vis	2	20401	
25	Guide Styrning; Steuerung; Guidage	2	149048	Tilt angle +4/-2 mm Tiltvinkel +4/-2 mm; Neigenwinkel +4/-2 mm; Angel de inclinaison +4/-2 mm
26	Screw Skruv; Schraube; Vis	2	29890	L = 45 mm
26	Screw Skruv; Schraube; Vis	2	29891	L = 70 mm
27	Nut Mutter; Mutter; Ecrou	2	20777	
28	Distance piece(30 x 42 x 0,1) Distans; Distanz; Distance		21881	C = 370 mm
28	Shim(30 x 42 x 0,2) Shims; Schim; Cale		21882	C = 370 mm
28	Shim(30 x 42 x 0,3) Shims; Schim; Cale		21883	C = 370 mm
28	Shim(30 x 42 x 0,5) Shims; Schim; Cale		21884	C = 370 mm
28	Shim(30 x 42 x 1,0) Shims; Schim; Cale		21885	C = 370 mm
28	Distance piece(35x45x0,1) Distans; Distanz; Distance		21948	C = 320 mm
28	Distance piece(35x45x0,2) Distans; Distanz; Distance		21949	C = 320 mm
28	Distance piece(35x45x0,3) Distans; Distanz; Distance		21950	C = 320 mm
28	Distance piece(35x45x0,5) Distans; Distanz; Distance		21951	C = 320 mm
28	Distance piece(35x45x1,0) Distans; Distanz; Distance		27805	C = 320 mm

**9170-00343 Separate sideshift/forkspread**

[2008-09-08]

Separat sideshift/gaffelspridning; Seitenschieber, Zinkenverstellung separat; Tabl. déplacement latéral/écartement de fourches;

Fork positioner unit; Gaffelspridningsaggregat; Zinkenverstellgerät; Groupe de fourche, régler latéral		815 RRE160	6051502 -	
		815 RRE160C	6051502 -	
		815 RRE160E	6051502 -	
		815 RRE160EC	6051502 -	
Pos	Description	Pcs	Part No	Note
11	Fork positioner unit(Complete) Gaffelspridningsaggregat(Komplett); Zinkenverstellgerät(Komplett); Groupe de fourche, régler latéral(Complet)	1	200164-002	L = 1150 mm, W = 314 mm
11	Fork positioner unit(Complete) Gaffelspridningsaggregat(Komplett); Zinkenverstellgerät(Komplett); Groupe de fourche, régler latéral(Complet)	1	200164-006	L = 1400 mm, W = 314 mm
11	Fork positioner unit(Complete) Gaffelspridningsaggregat(Komplett); Zinkenverstellgerät(Komplett); Groupe de fourche, régler latéral(Complet)	1	200164-008	L = 1000 mm, W = 314 mm
11	Fork positioner unit(Complete) Gaffelspridningsaggregat(Komplett); Zinkenverstellgerät(Komplett); Groupe de fourche, régler latéral(Complet)	1	200164-010	L = 1200 mm, W = 314 mm
11	Fork positioner unit(Complete) Gaffelspridningsaggregat(Komplett); Zinkenverstellgerät(Komplett); Groupe de fourche, régler latéral(Complet)	1	200164-011	L = 1300 mm, W = 314 mm
11	Fork positioner unit(Complete) Gaffelspridningsaggregat(Komplett); Zinkenverstellgerät(Komplett); Groupe de fourche, régler latéral(Complet)	1	200164-013	L = 1500 mm, W = 314 mm
11	Fork positioner unit(Complete) Gaffelspridningsaggregat(Komplett); Zinkenverstellgerät(Komplett); Groupe de fourche, régler latéral(Complet)	1	201780-004	L = 1200 mm, W = 264 mm
11	Fork positioner unit(Complete) Gaffelspridningsaggregat(Komplett); Zinkenverstellgerät(Komplett); Groupe de fourche, régler latéral(Complet)	1	201780-005	L = 1150 mm, W = 264 mm
11	Fork positioner unit(Complete) Gaffelspridningsaggregat(Komplett); Zinkenverstellgerät(Komplett); Groupe de fourche, régler latéral(Complet)	1	201780-007	L = 1000 mm, W = 264 mm
11	Fork positioner unit(Complete) Gaffelspridningsaggregat(Komplett); Zinkenverstellgerät(Komplett); Groupe de fourche, régler latéral(Complet)	1	201780-011	L = 1300 mm, W = 264 mm
11	Fork positioner unit(Complete) Gaffelspridningsaggregat(Komplett); Zinkenverstellgerät(Komplett); Groupe de fourche, régler latéral(Complet)	1	201780-014	L = 1500 mm, W = 264 mm
11	Fork positioner unit(Complete) Gaffelspridningsaggregat(Komplett); Zinkenverstellgerät(Komplett); Groupe de fourche, régler latéral(Complet)	1	201780-015	L = 1400 mm, W = 264 mm
12	Fork(Pair of forks) Gaffel(Paar av gafflar); Gabel(Paar auf Gabeln ); Fourche(Paire fourches)	1	223817-001	L = 1150 mm
12	Fork(Pair of forks) Gaffel(Paar av gafflar); Gabel(Paar auf Gabeln ); Fourche(Paire fourches)	1	223817-004	L = 1400 mm
12	Fork(Pair of forks) Gaffel(Paar av gafflar); Gabel(Paar auf Gabeln ); Fourche(Paire fourches)	1	223817-005	L = 1200 mm
12	Fork(Pair of forks) Gaffel(Paar av gafflar); Gabel(Paar auf Gabeln ); Fourche(Paire fourches)	1	223817-007	L = 1000 mm
12	Fork(Pair of forks) Gaffel(Paar av gafflar); Gabel(Paar auf Gabeln ); Fourche(Paire fourches)	1	223817-008	L = 1300 mm
12	Fork(Pair of forks) Gaffel(Paar av gafflar); Gabel(Paar auf Gabeln ); Fourche(Paire fourches)	1	223817-009	L = 1500 mm
13	Screw Skruv; Schraube; Vis	4	173212	
14	Plate Plåt; Platte; Plaque	1	222780-001	
15	Axle Axel; Achse; Axe	1	222799-001	
16	Bearing Lager; Lager; Roulement	4	222763	
17	Locking ring Spärring; Schliessring; Circlip	4	22255	
18	Scraper Avskrapare; Abkratzer; Segment racleur	4	222764	

**9390-00103 Positioning/TV equip., height preselector**

[2008-09-08]

Positionerings-/TV-utrustn., höjdförval; Positionier-/TV-Anlage, Höhenvorwahl; Equipem. positionnement/vidéo, présélecteur de hauteur;

Pos	Description	Pcs	Part No	Note
			815 RRE160 815 RRE160C 815 RRE160E 815 RRE160EC	6051502 - 6051502 - 6051502 - 6051502 -
11	TV - monitor TV - monitor; Monitor; Moniteur	1	217471	
12	Bracket Fäste; Halterung; Support	1	263217	
13	Housing Kåpa; Haus; Chape	1	258207	
14	Washer Bricka; Scheibe; Rondelle	2	22474	
15	Damper Dämpare; Dämpfer; Attenteur	2	252650	
16	Bracket Fäste; Halterung; Support	1	257375	
17	Washer Bricka; Scheibe; Rondelle	4	20375	
18	Nut Mutter; Mutter; Ecrou	2	20433	
19	Screw Skruv; Schraube; Vis	2	20154	
20	Nut Mutter; Mutter; Ecrou	2	20433	
21	Wiring harness Kablage; Kabelsatz; Câblage	1	226673	
22	Bracket Fäste; Halterung; Support	2	251113	
23	Clamp Klamma; Rohrschelle; Collier	1	156268-001	4,5 mm
24	Clamp Klamma; Rohrschelle; Collier	1	156268-002	7,5 mm
25	Wiring harness Kablage; Kabelsatz; Câblage	1	252658	
26	Screw Skruv; Schraube; Vis	2	20333	
27	Protection Skydd; Schutz; Protègee	1	250816	
28	Camera Kamera; Kamera; Caméra	1	217470	
29	Screw Skruv; Schraube; Vis	1	20188	
30	Drill template Bormall; Bohrlehre; Forage de modèle	1	238450	
31	Fuse(7,5A) Säkring; Sicherung; Fusible	1	122308-075	

CLICK HERE TO **DOWNLOAD** THE COMPLETE MANUAL

- Thank you very much for reading the preview of the manual.
- You can download the complete manual from: [www.heydownloads.com](http://www.heydownloads.com) by clicking the link below



- Please note: If there is no response to CLICKING the link, please download this PDF first and then click on it.

CLICK HERE TO **DOWNLOAD** THE COMPLETE MANUAL