



Quality Parts

RR M12 / RR M12C

Valid for machine number..... 709569 -

Only valid for machine number.....

Ordering number 217058

Date 2004-04-16

Language..... en sv de fr / ITS / ESIF

CLICK HERE TO **DOWNLOAD** THE COMPLETE MANUAL

- Thank you very much for reading the preview of the manual.
- You can download the complete manual from: www.heydownloads.com by clicking the link below



- Please note: If there is no response to CLICKING the link, please download this PDF first and then click on it.

CLICK HERE TO **DOWNLOAD** THE COMPLETE MANUAL

9000 Options/attachments

Tillbehör/extrautrustning; Zubehör/Zusatzausrüstung; Equipement supplémentaire/Options

9170-00011 Separate sideshift/forkspreload

Separat sideshift/gaffelspridning; Seitenschieber, Zinkenverstellung separat; Tabl. déplacement latéral/écartement de fourches;

9180-00001 Fork extensions

Förlängningsgaffel; Aufsteckgabeln; Rallonge de fourches;

9360-00004 Extra lighting

Extra belysning; Zusatzbeleuchtung; Eclairage supplémentaire;

9360-00031 Extra lighting

With overhead gard plastic

Extra belysning; Zusatzbeleuchtung; Eclairage supplémentaire;

9370-00063 Extra warning lights/alarm

Extra varningsljus/-larm; Extra Warn-/ Alarmleuchte; Avertisseurs/dispositifs d'alarme supplémentaires;

9380-00001 Charger attachment

Acid circulation

Laddartillsats; Zusatzladegerät; Chargeur supplémentaire;

9500-00007 Other extra equipment

Sideshift

Extra utrustning övrigt; Zusatzausrüstung Sonstiges; Autre équipement supplémentaire;

9500-00071 Other extra equipment

Writing table

Extra utrustning övrigt; Zusatzausrüstung Sonstiges; Autre équipement supplémentaire;

9500-00441 Other extra equipment

Fork distance

Extra utrustning övrigt; Zusatzausrüstung Sonstiges; Autre équipement supplémentaire;

9500-00570 Other extra equipment

Load support

Extra utrustning övrigt; Zusatzausrüstung Sonstiges; Autre équipement supplémentaire;

9550-00023 Battery changing equipment

Wiring harness

Batteribytesanordning; Batteriewechselvorrichtung; Equipement de chagement batterie;

0640-00035 Driver controls (mechanical)

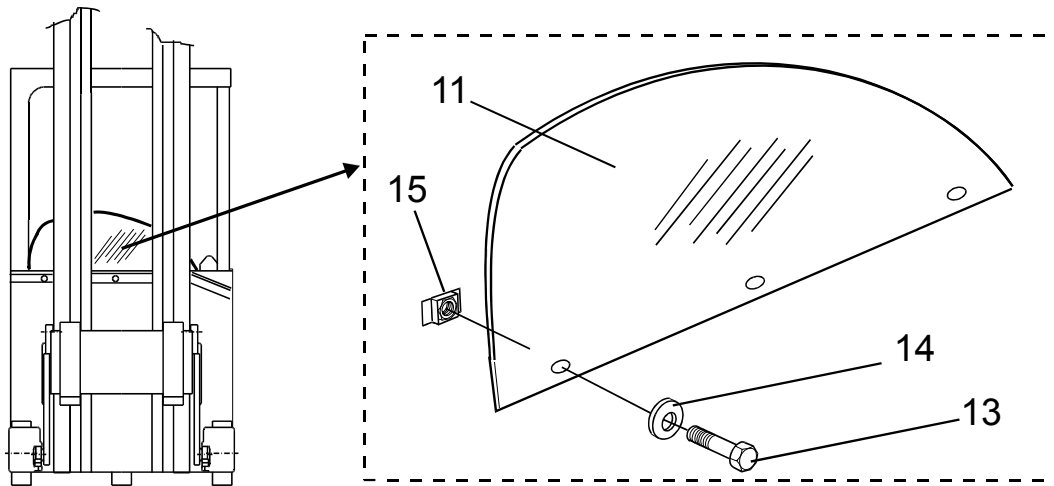
[2004-04-15]

Förarreglage (mekaniskt); Bedienungselemente (mech.); Commandes (mécaniques);

With travel direction switch; Med färdväljare; Mit Richtungsschalter; Avec micro de direction		483 RR M12 484 RR M12C	401375 - 401375 -	
Pos	Description	Pcs	Part No	Note
11	Pedal unit compl. Pedalställ kompl.; Pedalsatz Kompl.; Unité de pédale compl.	1	186102	
12	Axle Axel; Achse; Axe	1	185532	
13	Bush Bussning; Bague; Bague	1	185747	
14	Washer Bricka; Scheibe; Rondelle	1	20404	
15	Spring Fjäder; Feder; Ressort	1	185706	
16	Clip nut(Including axle) Låsclips(Med axel); Schlitzmutter(Mit Achse); Tôle de écrou(Avec axe)	1	185704	
17	Bracket Fäste; Halterung; Support	1	185703	
18	Spring Fjäder; Feder; Ressort	1	186177	
19	Pedal Pedal; Pedal; Pédale	1	186104	
20	Pedal rubber Pedalgummi; Pedalgummi; Caoutchouc de pedale	1	53201	
23	Axle Axel; Achse; Axe	1	185722	
24	Bush Bussning; Bague; Bague	4	185700	
25	Washer Bricka; Scheibe; Rondelle	2	20348	
26	Nut Mutter; Mutter; Ecrou	2	20045	
27	Nut Mutter; Mutter; Ecrou	1	20235	
28	Consol Konsol; Konsole; Console	1	185713	
29	Axle Axel; Achse; Axe	1	185724	
30	Link Länk; Gelenk; Bras	2	185698	
31	Nut Mutter; Mutter; Ecrou	3	21094	
32	Arm Arm; Arm; Bras	2	185728	
33	Locking pin Spännstift; Spannstift; Goupille	2	20049	
34	Nut Mutter; Mutter; Ecrou	4	25699	
35	Washer Bricka; Scheibe; Rondelle	8	21035	
36	Support Stöd; Stütze; Appui	2	185925	
37	Screw Skruv; Schraube; Vis	4	27872	
38	Potentiometer Potentiometer; Potentiometer; Potentiometre	2	156276	
39	Axle Axel; Achse; Axe	2	185723	
40	Screw Skruv; Schraube; Vis	4	28511	
41	Pedal(Complete) Pedal(Komplett); Pedal(Komplett); Pédale(Complet)	1	186103	
42	Consol Konsol; Konsole; Console	1	186096	

0820-00010

P0000297

**0820-00010 Finger/foot guards**

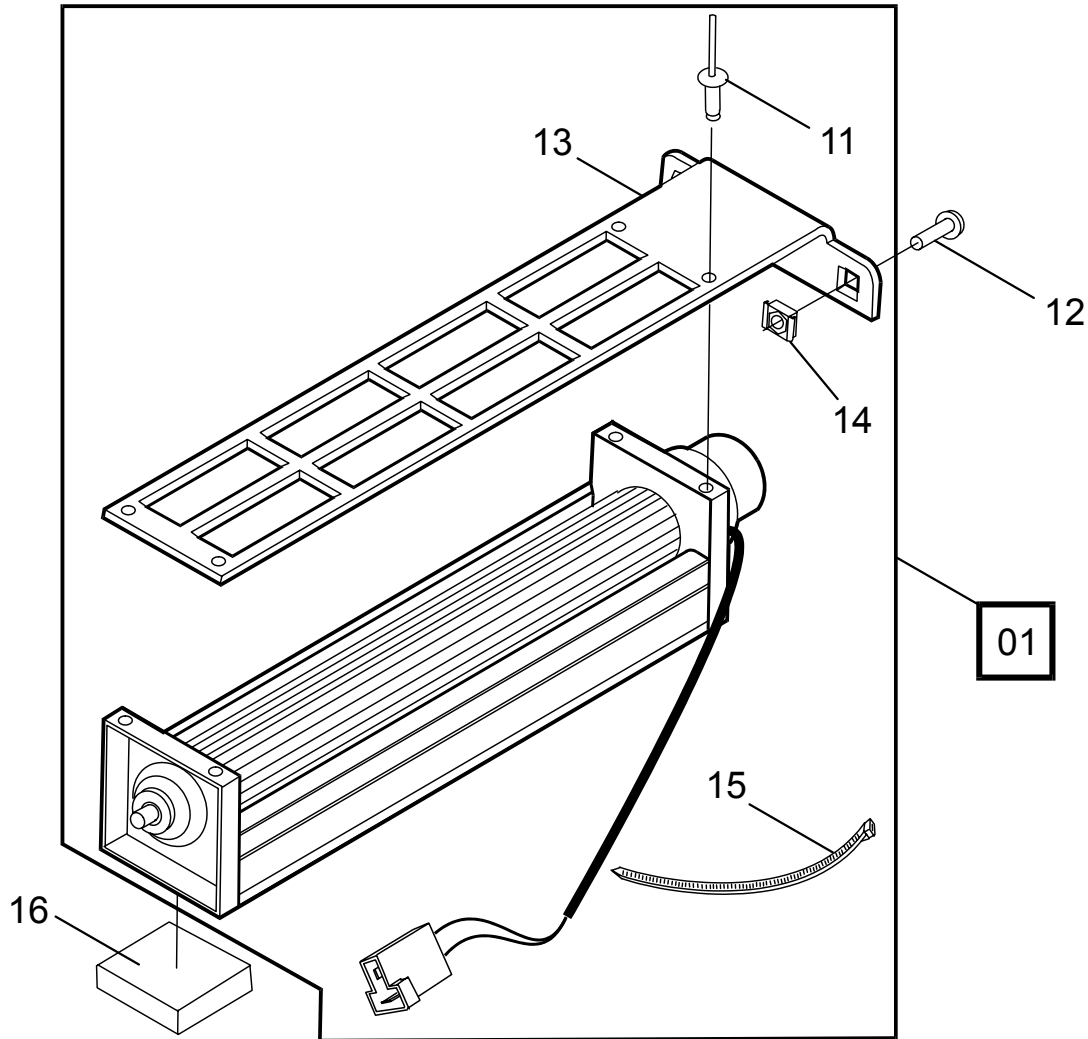
[2004-04-15]

Finger-/fotskydd; Finger-/Fusschutz; Protection de doigts/pieds anti-écrasement;

Pos	Description	Pcs	Part No	Note
11	Finger cover Fingerskydd; Fingerschutz; Protège main	1	145274	
13	Screw Skruv; Schraube; Vis	3	20351	
14	Washer Bricka; Scheibe; Rondelle	3	42993	
15	Nut Mutter; Mutter; Ecrou	3	28930	

1740-00005

P0011293

**1740-00005 Electric fan motor, electric fan**

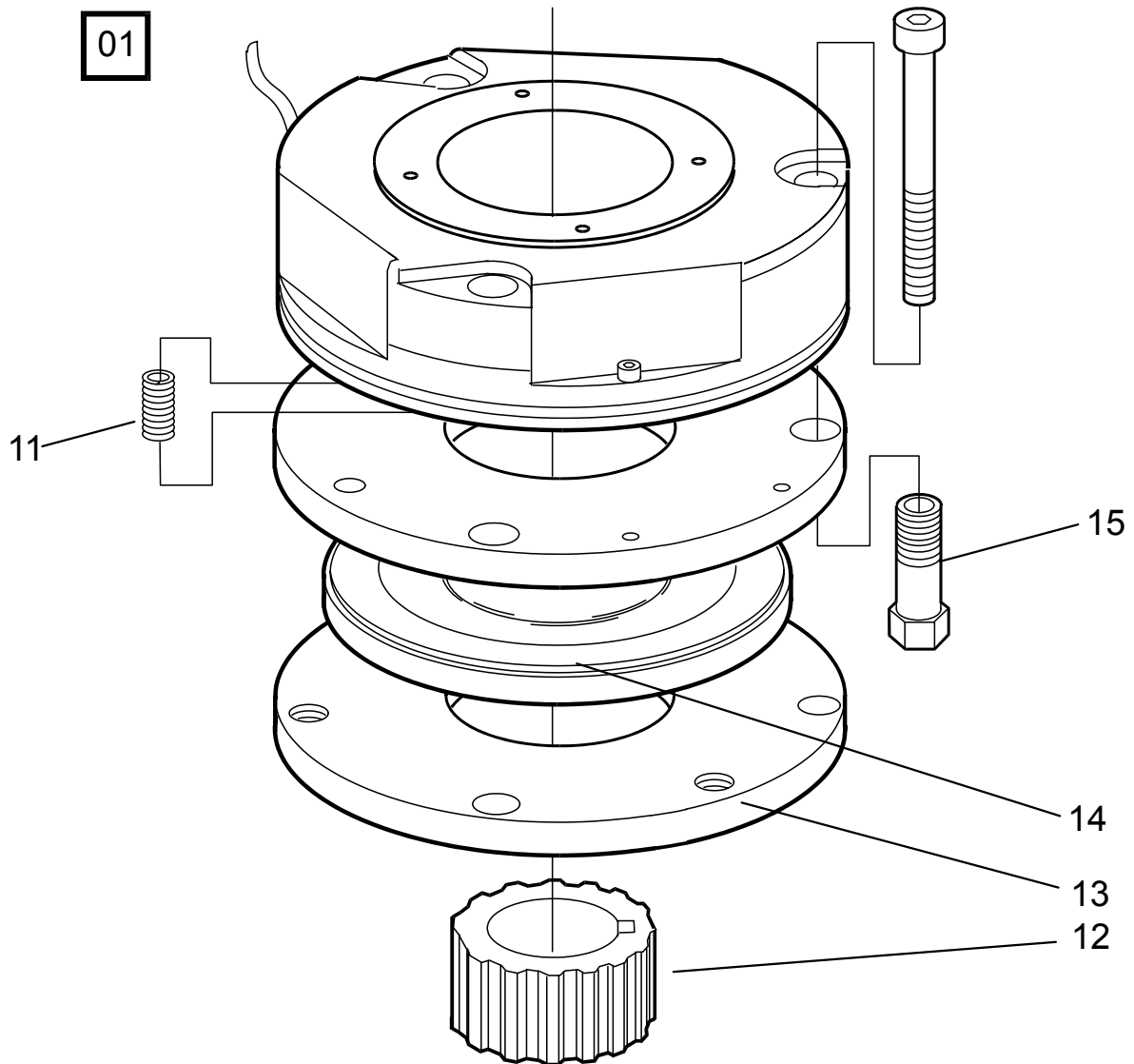
[2004-04-15]

Elektrisk fläktmotor/fläkt; Elektro-Lüftermotor/Lüfter; Moteur du ventilateur/ventilateur électrique;

Pos	Description	Pcs	Part No	Note
01	Fan(Complete) Fläkt(Komplett); Kühgebläse(Komplett); Ventilateur(Complet)	1	174494	
11	Rivet Nit; Niet; Rivet	4	23112	
12	Screw Skruv; Schraube; Vis	2	28545	
13	Bracket Fäste; Halterung; Support	1	151874	
14	Nut Mutter; Mutter; Ecrou	2	29692	
15	Clamp Klamma; Rohrschelle; Collier	2	22461	
16	Rubber sealing strip(Meter) Gummiprofil(Meter); Gummiblock(Meter); Pavé de caoutchouc(Metre)		117157-001	Meter Meter; Meter; Metre

3180-00002

P0009607

**3180-00002 Electrically controlled travel brake**

[2004-04-15]

El.reglerad färdbröms; Elektrisch geregelte Betriebsbremse; Frein de route électrique;

Main brake; Huvudbröms; Hauptbremse; Principal freinage		483 RR M12	401375 -	
		484 RR M12C	401375 -	
Pos	Description	Pcs	Part No	Note
01	Brake compl. Bröms kompl.; Brems Kompl.; Frein compl.	1	170392	
11	Spring Fjäder; Feder; Ressort	10	170396	
12	Hub Nav; Nabe; Moyeu	1	170394	
13	Disc Skiva; Runde Scheibe; Disque	1	170395	
14	Brake disc Brömskiva; Innenlamelle; Disque de freinage	1	170393	
15	Sleeve Hylsa; Hülse; Douille	3	170529	

CLICK HERE TO **DOWNLOAD** THE COMPLETE MANUAL

- Thank you very much for reading the preview of the manual.
- You can download the complete manual from: www.heydownloads.com by clicking the link below

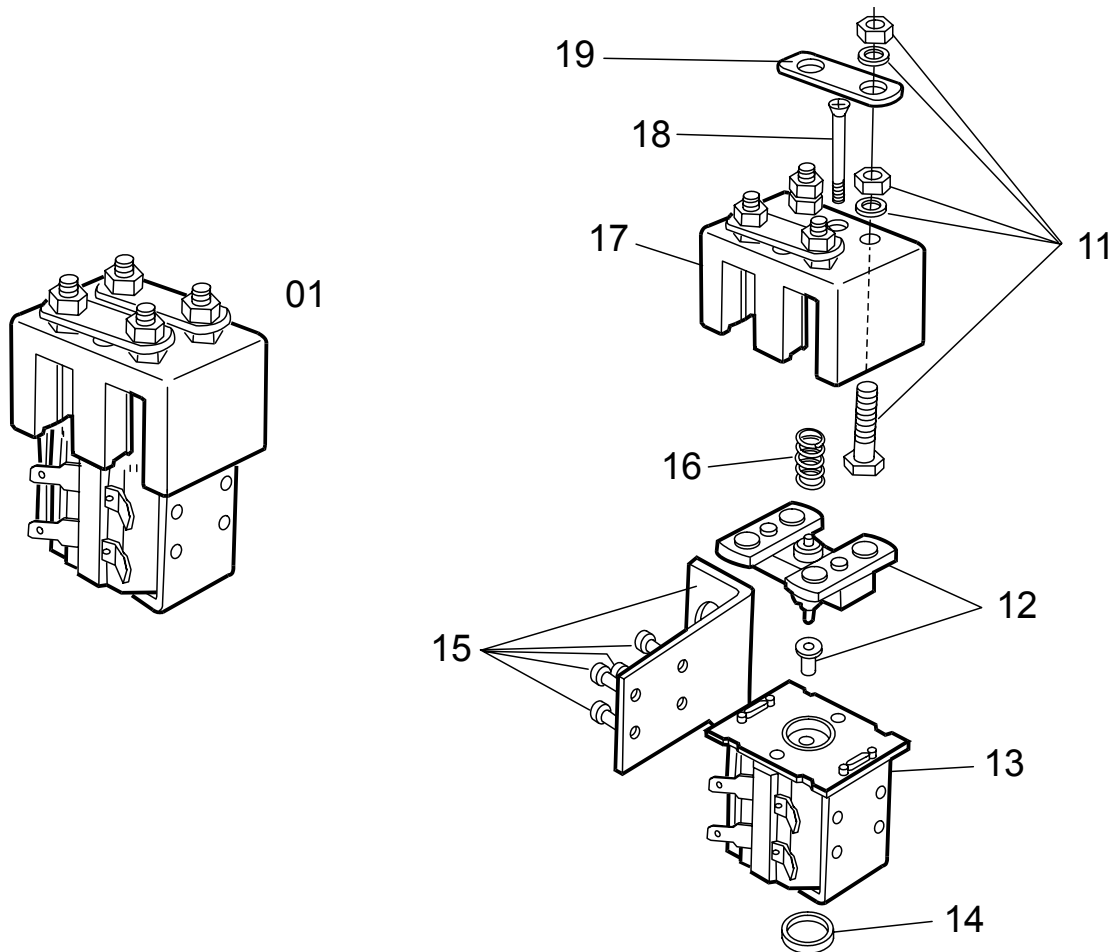


- Please note: If there is no response to CLICKING the link, please download this PDF first and then click on it.

CLICK HERE TO **DOWNLOAD** THE COMPLETE MANUAL

5190-00016

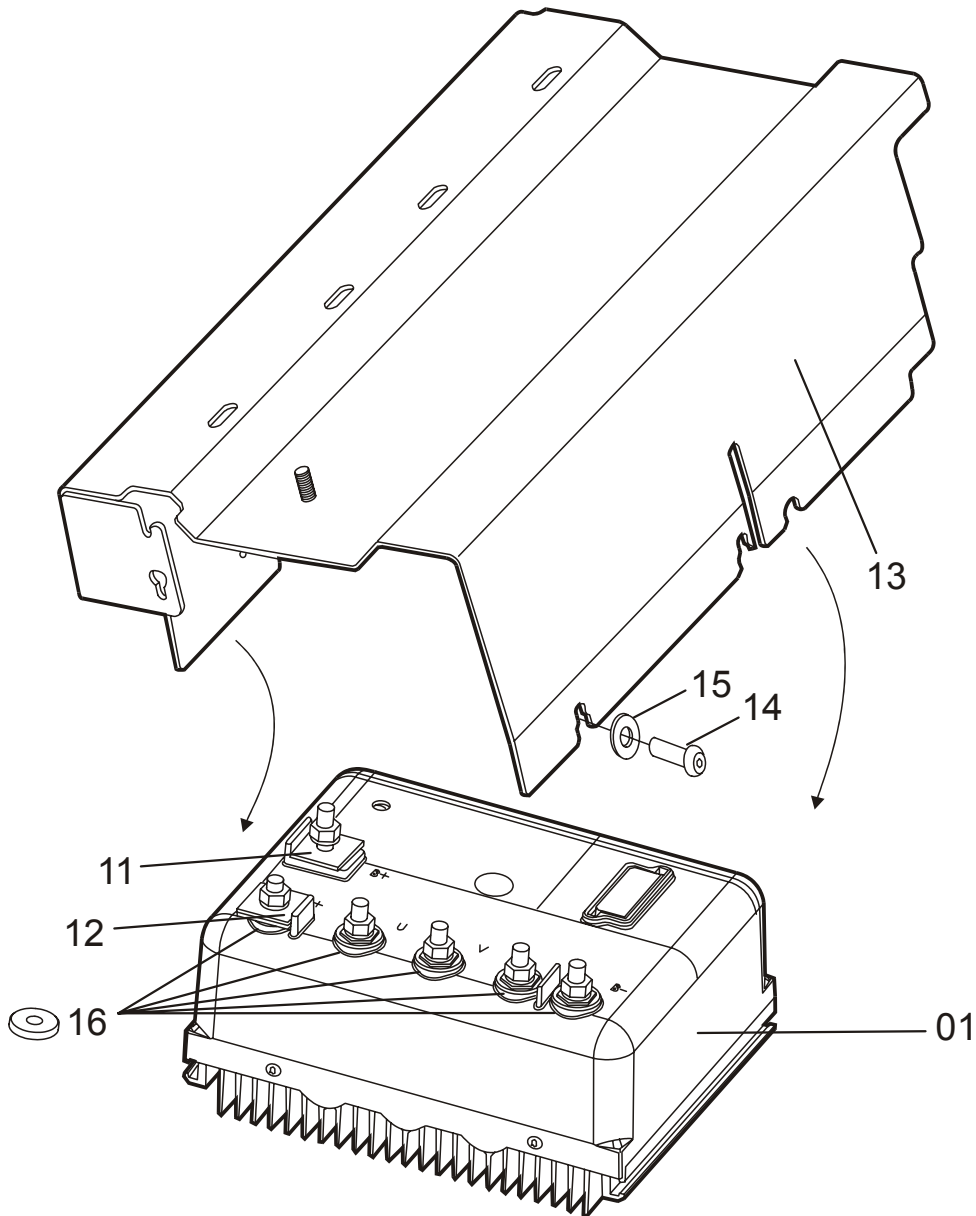
P0007571

**5190-00016 Battery cut out connector/contact**

[2004-04-15]

Batterifrånskiljare, huvudkontaktör; Batterietrennung, Hauptkontaktör; Coupe-circuit de batterie, contacteur;

Pos	Description	Pcs	Part No	Note
01	Contactor compl. Kontaktör kompl.; Kontaktör kompl.; Contacteur compl.	1	153852	
11	Screw(Kit) Skruv(Sats); Schraube(satz); Vis(Jeux)	4	155045	
12	Contact set Kontaktsats; Kontaktsatz; Jeux de contact	1	155047	
13	Magnetic coil Magnetspole; Magnetspule; Bobine électrique	1	155052	
14	Protection Skydd; Schutz; Protègee	1	155049	
15	Bracket Fäste; Halterung; Support	1	155053	
16	Spring Fjäder; Feder; Ressort	1	155046	
17	Housing Kåpa; Haus; Chape	1	155051	
18	Screw Skruv; Schraube; Vis	2	155043	
19	Copper bar Kopparskena; Kupferstab; Plaque de cuivre	2	155054	



5460-00058 Transistor panel

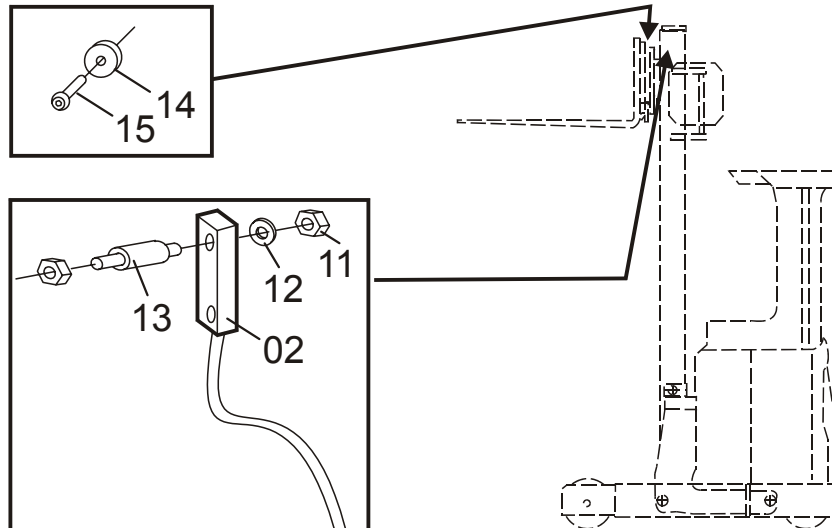
Transistorpanel; Transistorpanel; Panneau transistor;

[2004-04-15]

Driving; Åkning; Faharen; Translation			483 RR M12 484 RR M12C	598439 - 598439 -
Pos	Description	Pcs	Part No	Note
01	Transistor controller Transistorregulator; Transistorregulator; Regulateur des transistors	1	180728-001	
11	Washer Bricka; Scheibe; Rondelle	1	163663	
12	Washer Bricka; Scheibe; Rondelle	2	163664	
13	Protection Skydd; Schutz; Protègee	1	165312	
14	Screw Skruv; Schraube; Vis	2	28545	
15	Washer Bricka; Scheibe; Rondelle	2	20375	
16	Washer Bricka; Scheibe; Rondelle	5	213179	Cold stores Fryshus; Gefrieranlage; Chambre frigorifique

5820-00111

P0019367


5820-00111 Lift/lowering/reach movement probes/sensors

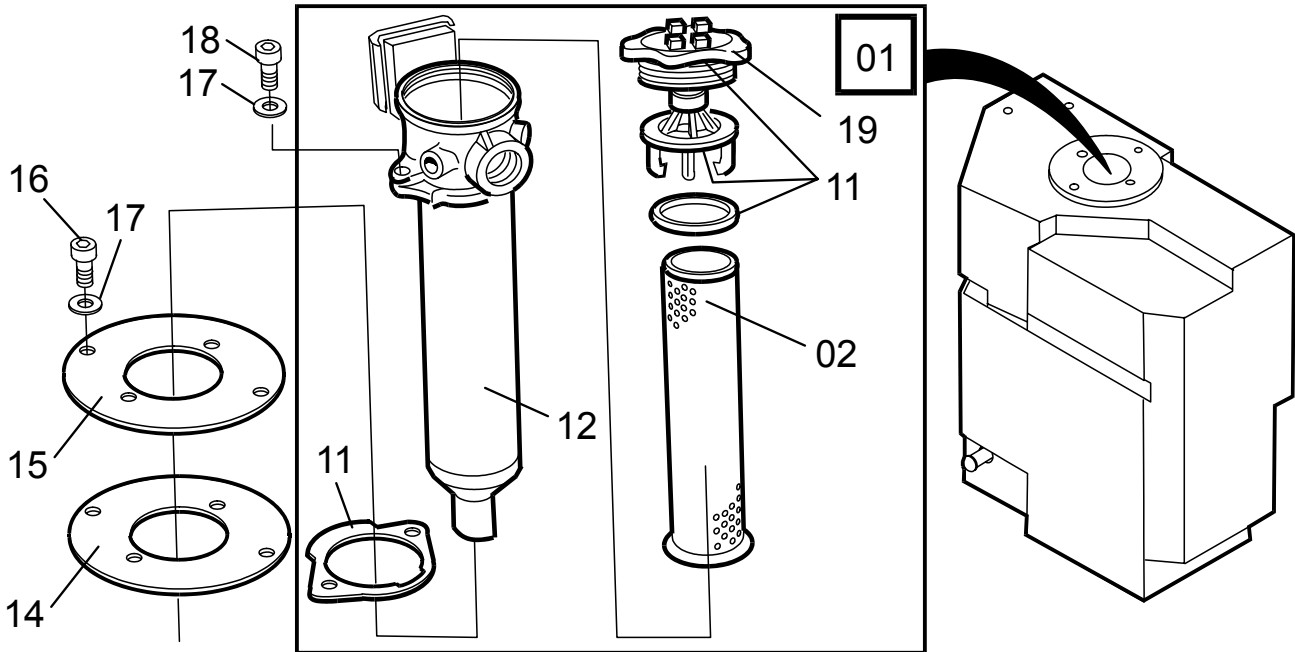
[2003-12-03]

Lyft-/sänk-/skjutrörelse-givare/-sensor; Hub-/Senk-/Schubgeber/-sensor; Capteurs de levage/descente/rétraction;

Pos	Description	Pcs	Part No	Note
Speed regulation, mast; Hastighetsreglering, mast; Geschwindigkeitsregulierung, mast; Régulateur de la vitesse, mât			483 RR M12 484 RR M12C	598439 - 598439 -
02	Magnet switch Magnetbrytare; Magnetschalter; Rupteur de bobine	1	214259-300	
11	Nut Mutter; Mutter; Ecrou	4	20255	
12	Washer Bricka; Scheibe; Rondelle	4	22417	
13	Damper Dämpare; Dämpfer; Attenteur	2	136060	
14	Magnet Magnet; Magnet; Magnétique	2	172622	
15	Screw Skruv; Schraube; Vis	2	24354	

6130-00017

P0010610

**6130-00017 Filters and housing**

[2004-04-15]

Filter, filterhus; Filter, Gehäuse; Filtres, logement de filtre;

Pos	Description	Pcs	Part No	Note
			483 RR M12 484 RR M12C	401375 - 401375 -
01	Filter(Complete) Filter(Komplett); Filter(Komplett); Filtre(Complet)	1	172332	
01	Filter(Complete) Filter(Komplett); Filter(Komplett); Filtre(Complet)	1	172333	Cold stores Fryshus; Gefrieranlage; Chambre frigorifique
02	Filter Filter; Filter; Filtre	1	138926	
11	Packing set Packningssats; Packungssatz; Jeux d' étanchéité.	1	173469	
12	Pipe Rör; Rohr; Tube	1	173470	
14	Packing Packning; Packung; Étanchage	1	150291	
15	Plate Plåt; Platte; Plaque	1	148368	
16	Screw Skruv; Schraube; Vis	2	20184	
17	Washer Bricka; Scheibe; Rondelle	2	22553	
18	Screw Skruv; Schraube; Vis	2	20276	
19	Cover Lock; Deckel; Couverture	1	163658	

6320-00046 Mast hydraulic lines

[2003-11-25]

Stativhydraulledningar; Hydraulikleitungen Hubeinrichtung; Circuits hydrauliques mât;

Duplex Tele		483 RR M12 484 RR M12C	401375 - 401375 -	
Pos	Description	Pcs	Part No	Note
11	Connector unit Kopplingsstycke; Kupplungsstück; Raccordement	1	160182	
12	Screw Skruv; Schraube; Vis	2	20365	
13	Washer Bricka; Scheibe; Rondelle	2	20404	
14	Bracket Fäste; Halterung; Support	1	160180	
15	Shim(1 mm) Shims; Schim; Cale		160181-001	
15	Shim(0,5 mm) Shims; Schim; Cale		160181-002	
16	Washer Bricka; Scheibe; Rondelle	2	20404	
17	Screw Skruv; Schraube; Vis	2	27205	
19	Connection Koppling; Kupplung; Raccord	1	28529	
20	Sealing ring Tättningsring; Dichtungsring; Bague d'étanchéité	1	20517	
21	Connection Koppling; Kupplung; Raccord	1	29532	
22	Connection Koppling; Kupplung; Raccord	1	28801	
23	Pipe Rör; Rohr; Tube	1	140472	
24	Connection Koppling; Kupplung; Raccord	1	28801	
25	Connection Koppling; Kupplung; Raccord	1	28781	
26	Screw Skruv; Schraube; Vis	1	25065	
27	Sealing ring Tättningsring; Dichtungsring; Bague d'étanchéité	1	20517	
28	Connection Koppling; Kupplung; Raccord	1	28781	
29	Pipe Rör; Rohr; Tube	1	168069	
30	Connection Koppling; Kupplung; Raccord	1	29532	
31	Connection Koppling; Kupplung; Raccord	1	21994	
32	Hose(Meter) Slang(Meter); Schlauch(Meter); Tuyau flexible(Metre)		28108	

6370-00011 Mast hose reel/swivel joint

[2003-11-25]

Stativslangvinda/vippstycke; Schlauchtrommel, Schwenkkupplung Hubeinrichtung; Enrouleur/joint tournant mât;

Pos	Description	Pcs	Part No	Note
			483 RR M12 484 RR M12C	401375 - 401375 -
11	Hose reel, complete Slangvinda, komplett; Schlauchrolle, Komplet; Roleau de tuyau flexible, complet	1	126910	
12	Hose reel Slangvinda; Schlauchrolle; Roleau de tuyau flexible	1	22251	
13	Hose reel, complete Slangvinda, komplett; Schlauchrolle, Komplet; Roleau de tuyau flexible, complet	1	126909	
14	Hose reel Slangvinda; Schlauchrolle; Roleau de tuyau flexible	1	22252	
15	Packing set Packningssats; Packungssatz; Jeux d' étanchéité.	1	132276	
16	Hose(Double) Slang(Dubbel); Schlauch(Doppel); Tuyau flexible(Double)	1	22253	
17	Bracket Fäste; Halterung; Support	1	124847	
18	Washer Bricka; Scheibe; Rondelle	4	20404	
19	Screw Skruv; Schraube; Vis	4	20351	
20	Roller Rulle; Rolle; Roleau	1	72138	
21	Distance piece(Stainless Steel) Distans(Rostfri); Distanz(Nichtrostende); Distance(Inoxydable)	1	109898	
22	Washer Bricka; Scheibe; Rondelle	6	21393	
23	Screw Skruv; Schraube; Vis	6	22337	
24	Protection Skydd; Schutz; Protéège	1	72325	
25	Distance piece(Stainless Steel) Distans(Rostfri); Distanz(Nichtrostende); Distance(Inoxydable)	2	109898	
26	Spring Fjäder; Feder; Ressort	1	147007	
27	Hub Nav; Nabe; Moyeu	1	22512	
28	Bracket Fäste; Halterung; Support	1	171929	Welding Svetsning; Schweisserei; Soudage
29	Screw Skruv; Schraube; Vis	2	20031	
30	Washer Bricka; Scheibe; Rondelle	2	20404	
31	Swivel Svivel; Wirbel; Emerillon	1	21876	
32	Bracket Fäste; Halterung; Support	1	174160	
33	Screw Skruv; Schraube; Vis	2	20035	
34	Screw Skruv; Schraube; Vis	2	20401	
36	Bracket Fäste; Halterung; Support	1	171947	

Quality Parts

6620-00022

Pos	Description	Pcs	Part No	Note
05	Piston rod Kolvstång; Kolbenstange; Tige de piston	1	140481-375	
05	Piston rod Kolvstång; Kolbenstange; Tige de piston	1	140481-415	
11	Scraper Avskrapare; Abkratzer; Segment raqueur	1	20749	
12	Guide Styrning; Steuerung; Guidage	1	101301	
13	Cylinder top Cylindertopp; Zylinderkopf; Culasse	1	101293	
14	Stay ring Stödring; Stutzring; Anneau de support	1	26914	
15	U-ring Spärringsmanchett; Schliesringsmanchette; Joint en U	1	29823	
16	Valve Ventil; Ventil; Soupape	1	27182	
17	Air bleeder Luftventil; Luftnippel; Soupape (air)	1	24325	
18	Clamp Klamma; Rohrschelle; Collier	1	163241	
19	Screw Skruv; Schraube; Vis	2	28590	
21	Screw Skruv; Schraube; Vis	2	20276	
22	O-ring O-ring; O-ring; Joint torique	1	20386	
23	Locking ring Spärring; Schliessring; Circlip	1	20019	

7120-00119 Main lift chain system

[2003-11-25]

Huvudlyftkedjesystem; Haupthubkettensystem; Système de chaîne de levage mât principal;

Triplex Hi - Lo		483 RR M12 484 RR M12C	401375 - 401375 -	
Pos	Description	Pcs	Part No	Note
11	Chain wheel(Complete) Kedjehjul(Komplett); Kettenrad(Komplett); Roue de chaine(Comple)	1	176012	
17	Axle Axel; Achse; Axe	2	137853	
18	Screw Skruv; Schraube; Vis	2	23006	
19	Washer Bricka; Scheibe; Rondelle	2	20236	
20	Consol Konsol; Konsole; Console	1	137849	
21	Screw Skruv; Schraube; Vis	1	28708	
22	Washer Bricka; Scheibe; Rondelle	1	126723-006	
23	Locking pin Spännstift; Spannstift; Goupille	1	20227	
26	Lifting chain complete(L = 1657 mm) Lyftkedja komplett; Hubkette Komplett; Chaîne d'élévation complet	2	140461-415	
26	Lifting chain complete(L = 1772 mm) Lyftkedja komplett; Hubkette Komplett; Chaîne d'élévation complet	2	140461-450	
26	Lifting chain complete(L = 1890 mm) Lyftkedja komplett; Hubkette Komplett; Chaîne d'élévation complet	2	140461-480	
26	Lifting chain complete(L = 2076 mm) Lyftkedja komplett; Hubkette Komplett; Chaîne d'élévation complet	2	140461-540	
26	Lifting chain complete Lyftkedja komplett; Hubkette Komplett; Chaîne d'élévation complet	2	140461-570	
26	Lifting chain complete Lyftkedja komplett; Hubkette Komplett; Chaîne d'élévation complet	2	140461-600	
26	Lifting chain complete Lyftkedja komplett; Hubkette Komplett; Chaîne d'élévation complet	2	140461-630	
27	Nut Mutter; Mutter; Erou	4	20006	
28	Nut Mutter; Mutter; Erou	4	20528	
29	Cotter pin Saxpinne; Gespalter stift; Goupille fendue	4	20312	
30	Washer Bricka; Scheibe; Rondelle	2	21431	
31	Anchor bolt Fästbult; Ankerbolzen; Boulon de fixation	4	100839	
32	Cotter pin Saxpinne; Gespalter stift; Goupille fendue	4	21445	
33	Washer Bricka; Scheibe; Rondelle	8	20404	
34	Axle Axel; Achse; Axe	4	127281	
35	Chain wheel(Complete) Kedjehjul(Komplett); Kettenrad(Komplett); Roue de chaine(Comple)	2	176012	
41	Axle Axel; Achse; Axe	2	137853	
42	Screw Skruv; Schraube; Vis	2	23006	
43	Washer Bricka; Scheibe; Rondelle	2	20236	
48	Lifting chain complete(L = 895 mm) Lyftkedja komplett; Hubkette Komplett; Chaîne d'élévation complet	1	140463-415	
48	Lifting chain complete(L = 1010 mm) Lyftkedja komplett; Hubkette Komplett; Chaîne d'élévation complet	1	140463-450	
48	Lifting chain complete(L = 1125 mm) Lyftkedja komplett; Hubkette Komplett; Chaîne d'élévation complet	1	140463-480	

CLICK HERE TO **DOWNLOAD** THE COMPLETE MANUAL

- Thank you very much for reading the preview of the manual.
- You can download the complete manual from: www.heydownloads.com by clicking the link below



- Please note: If there is no response to CLICKING the link, please download this PDF first and then click on it.

CLICK HERE TO **DOWNLOAD** THE COMPLETE MANUAL