

Quality Parts

RR M14 / RR M14C / 15

Valid for machine number..... 411663AA -

Only valid for machine number.....

Ordering number 181961

Date 2001-04-09

Language..... GB SE DE FR / ITS / ESIF

CLICK HERE TO **DOWNLOAD** THE COMPLETE MANUAL

- Thank you very much for reading the preview of the manual.
- You can download the complete manual from: www.heydownloads.com by clicking the link below



- Please note: If there is no response to CLICKING the link, please download this PDF first and then click on it.

CLICK HERE TO **DOWNLOAD** THE COMPLETE MANUAL

- 7150-009 Main mast guidance/ dampers**
Huvudstativ-styrning/dämpning; Führungen/ Dämpfer Haupthubergüst; Guidage/amortissement mât principal
- 7190-028 Main mast suspension**
Huvudstativinfästning; Befestigung Haupthubgerüst; Suspension mât principal
- 7410-001 Fork, carpet boom, lift hook**
Lyftgaffel/-pik/-krok; Hubgabel/-dorn/-haken; Fourche, éperon, crochet de levage

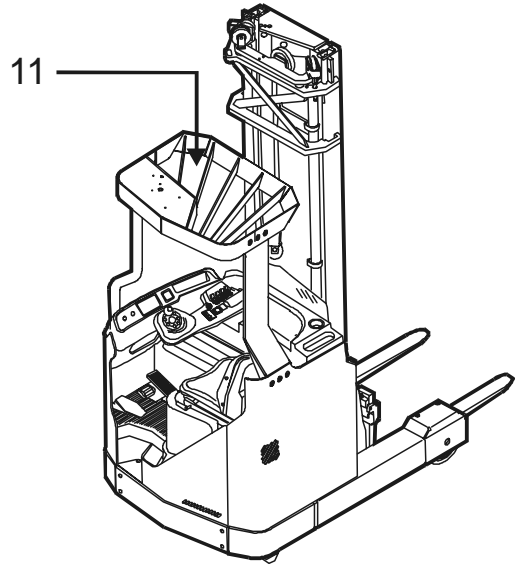
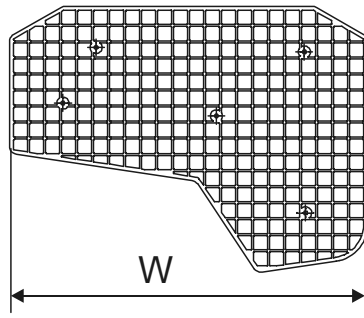
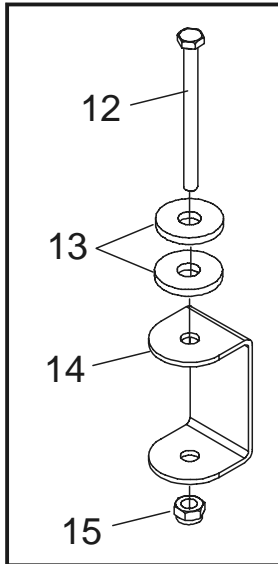
9000 Options/attachments

Tillbehör/extrautrustning; Zubehör /Zusatzausrüstung; Equipement supplémentaire/Options

- 9180-001 Fork extensions**
Förlängningsgaffel; Aufsteckgabel; Rallonges de fourches
- 9360-004 Extra lighting**
Extra belysning; Zusatzbeleuchtung; Eclairage supplémentaire
- 9360-008 Extra lighting** **With overhead gard plastic**
Extra belysning; Zusatzbeleuchtung; Eclairage supplémentaire
- 9370-009 Extra warning lights/alarm**
Extra varningsljus/-larm; Extra Warn-/Alarmleuchte; Avertisseurs/dispositifs dalarmesupplémentaires'
- 9380-001 Charger attachment** **Acid circulation**
Laddartillsats; Zusatzladegerät; Chargeur supplémentaire
- 9500-020 Other extra equipment**
Extra utrustning övrigt; Zusatzausrüstung Sonstiges; Autre équipement supplémentaire
- 9500-071 Other extra equipment** **Writing table**
Extra utrustning övrigt; Zusatzausrüstung Sonstiges; Autre équipement supplémentaire
- 9500-269 Other extra equipment** **Fork distance**
Extra utrustning övrigt; Zusatzausrüstung Sonstiges; Autre équipement supplémentaire
- 9999-007 Information**
Information; Information; Information

0810-053

P0013362



0810-053 Overhead guard/roof

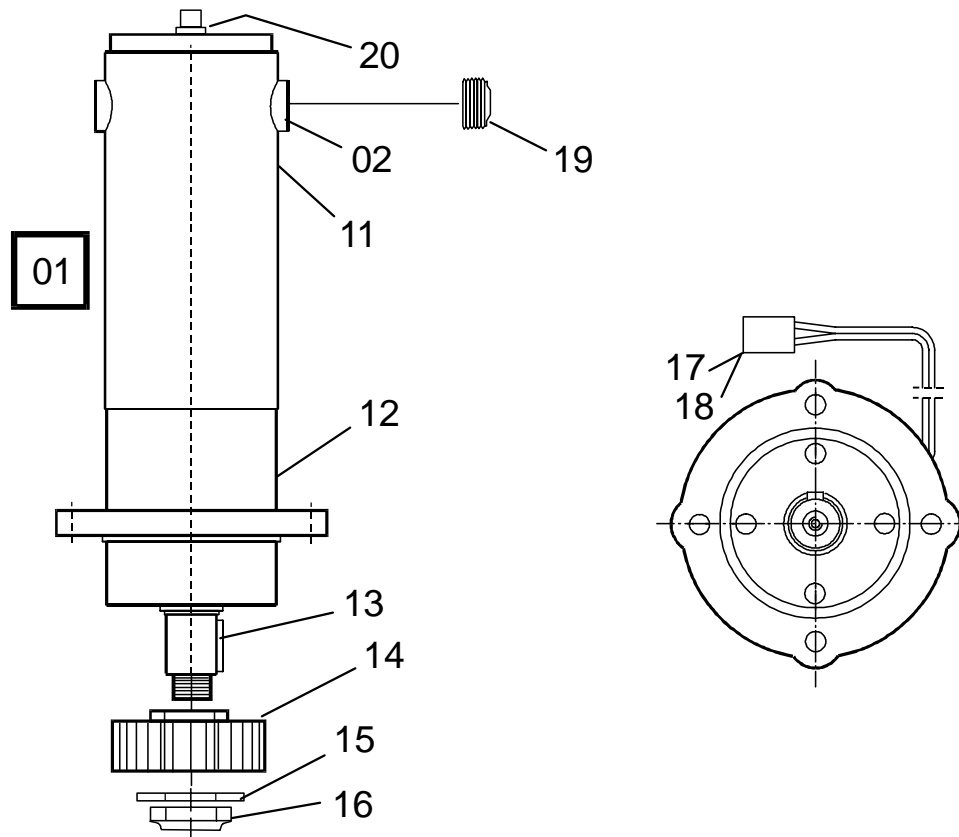
Skyddsåge/-tak; Dachbügel, Dach; Toit de protection

[2000-11-28]

Narrow roof; Insmalnat tak; Schmal dach; Rétrécissement toit		657 RR M14 658 RR M14C		401375 - 401375 -	
Pos	Description	Pcs	Part No	Note	
11	Protective grating Skyddsgaller; Schutzgitter; Grille de protection	1	173439	W = 889 mm	
12	Screw Skruv; Schraube; Vis	5	28912		
13	Washer Bricka; Scheibe; Rondelle	10	42993		
14	Bracket Fäste; Halterung; Support	5	147311		
15	Nut Mutter; Mutter; Ecrou	5	20433		

1730-008

P0012074

**1730-008 Electric steering motor**

Elektrisk styrmotor; Elektro-Lenkmotor; Moteur de direction électrique

[2000-04-26]

Pos	Description	Pcs	Part No	Note
01	Motor(Complete) Motor(Komplett); Motor(Komplett); Moteur(Complet)	1	177587	
02	Carbon brush Kolborste; Kohlebürste; Charbon	2	149773	
11	Motor Motor; Motor; Moteur	1	177586	
12	Gear Växel; Getriebe; Engrenage	1	177585	
13	Key Kil; Keil; Clavette	1	20666	
14	Gear wheel Kuggghjul; Zahnrad; Roue dentée	1	151437	
15	Washer Bricka; Scheibe; Rondelle	1	21125	
16	Nut Mutter; Mutter; Ecrou	1	139713	
17	Contact housing(2-pole) Kontaktus(2-pol); Kontaktvorrichtung(2-Pol); Engrenage de mise en action(2-pôle)	1	145266-001	
18	Contact pin Kontaktstift; Kontaktstift; Fiche de contact	2	145267-002	
19	Plug Plugg; Pfropf; Bouchon	2	164917	
20	Sealing Tätning; Dichtung; Joint	1	164918	

CLICK HERE TO **DOWNLOAD** THE COMPLETE MANUAL

- Thank you very much for reading the preview of the manual.
- You can download the complete manual from: www.heydownloads.com by clicking the link below



- Please note: If there is no response to CLICKING the link, please download this PDF first and then click on it.

CLICK HERE TO **DOWNLOAD** THE COMPLETE MANUAL

5390-147 Driving function harnesses/ fuse

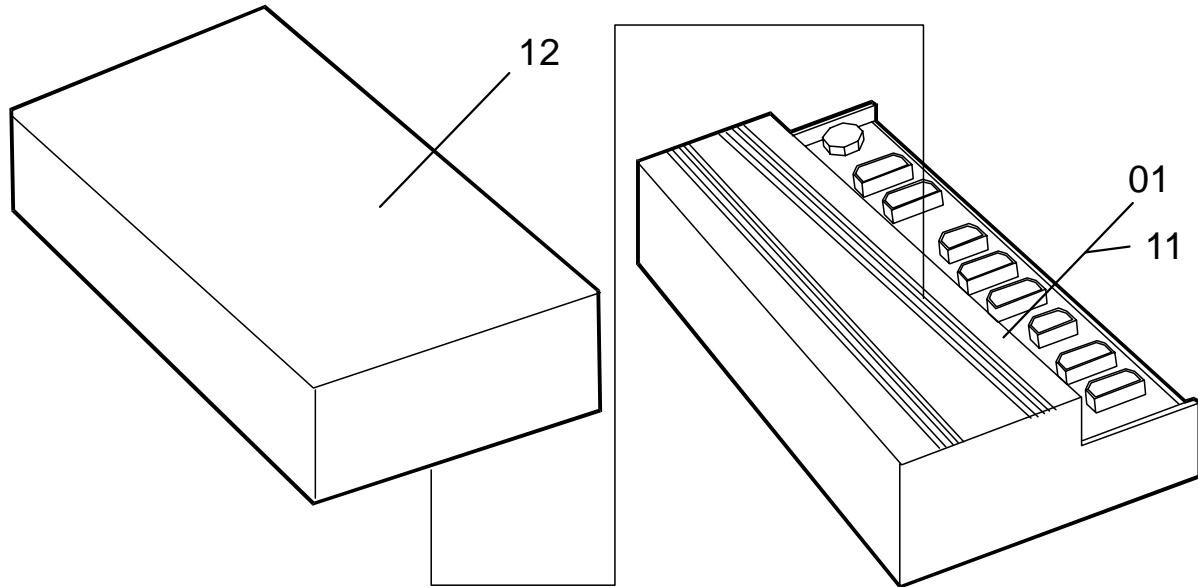
[2001-04-05]

Åkfunktionskablage/-säkring; Verkabelung, Sicherung Fahrfunktion; Câblage/ fusible fonction de déplacement

Pos	Description	Pcs	Part No	Note
			657 RR M14 658 RR M14C	401375 - 401375 -
11	Wiring harness Kablage; Kabelsatz; Câblage	1	169635	Main Huvud; Haupt; Principal
12	Wiring harness Kablage; Kabelsatz; Câblage	1	150910	
13	Wiring harness Kablage; Kabelsatz; Câblage	1	177783	
14	Push-button Tryckknapp; Druckknopf; Bouton	1	155556-001	
15	Push-button Tryckknapp; Druckknopf; Bouton	1	155556-002	
16	Push-button Tryckknapp; Druckknopf; Bouton	1	155556-003	
17	Wiring harness Kablage; Kabelsatz; Câblage	3	154860	Including micro switch 149794 Inklusive mikrobrytare 149794; Inklusive Mikroshalter 149794; Inclus interrupteur 149794
18	Micro switch Mikrobrytare; Mikroschalter; Interrupteurs	3	149794	To solder Lödes; Löten; Soudage
19	Clamp Klamma; Rohrschelle; Collier	12	20942	
20	Bracket Fäste; Halterung; Support	2	129399	
21	Screw Skruv; Schraube; Vis	1	21139	
22	Fuse(30 A) Säkring; Sicherung; Fusible	1	161640-300	
23	Fuse(10A) Säkring; Sicherung; Fusible	2	161640-100	
24	Fuse holder Säkringshållare; Sicherungshalter; Porte-fusibles	4	135421	
25	Nit Nit; Niet; Rivet	1	28959	
26	Bracket Fäste; Halterung; Support	1	135422	
27	Bracket Fäste; Halterung; Support	1	151596	
28	Fuse(7,5A) Säkring; Sicherung; Fusible	1	161640-075	
29	Bracket Fäste; Halterung; Support	1	151594	
30	Screw Skruv; Schraube; Vis	4	20031	
31	Washer Bricka; Scheibe; Rondelle	4	20404	
32	Resistance Motstånd; Widerstand; Résistance	1	126064-269	
34	Protection Skydd; Schutz; Protègee	3	156247	Cold stores Fryshus; Gefrieranlage; Chambre frigorifique
35	Cap Lock; Deckel; Couvercle	1	157651	
36	Contact Kontakt; Kontakt; Contact	1	157649	
37	Plug Stift; Stift; Fiche	4	153191-002	
38	Wiring harness Kablage; Kabelsatz; Câblage	1	177784	
39	Wiring harness Kablage; Kabelsatz; Câblage	1	177153	Fan Fläkt; Kühlgebläse; Ventilateur

5710-042

P0010767

**5710-042 Drive/multi-function PCBs**

[1999-08-10]

Elektronikkort åkning/kombination; Elektronikkarten Fahren/kombination; Cartes électroniques déplacement/combinaison

Pos	Description	Pcs	Part No	Note
			657 RR M14 658 RR M14C	401375 - 401375 -
01	Logic box(Complete) Logikbox(Komplett); Steuerbox(Komplett); Boite de lougique(Comple)	1	170600-301	
11	Logic box(Without program software) Logikbox(Utan programvara); Steuerbox(Ohne programmierung); Boite de lougique(Sans programme)	1	169937-001	Without program software Utan programvara; Ohne program- mierung; Sans programme
12	Housing Kåpa; Haus; Chape	1	161140	Cold stores Fryshus; Gefrieranlage; Chambre frigorifique

6120-131 Hydraulic tank lines

[1999-12-21]

Tankhydraulledningar; Hydrauliktankleitungen; Tuyaux réservoir hydraulique

Cold stores; Fryshus; Gefrieranlage; Chambre frigorifique		657 RR M14 658 RR M14C	401375 - 401375 -	
Pos	Description	Pcs	Part No	Note
11	Filter Filter; Filter; Filtre	1	157186	
12	Clamp Klamma; Rohrschelle; Collier	2	20453	
13	Bracket Fäste; Halterung; Support	1	170496	
14	Reducer Reducering; Reduzierung; Réduction	1	165319	
15	Connection Koppling; Kupplung; Raccord	1	139788-020	
16	Connection Koppling; Kupplung; Raccord	2	127927-010	
17	Hose(Meter) Slang(Meter); Schlauch(Meter); Tuyau flexible(Metre)	1	166798	
18	Connection Koppling; Kupplung; Raccord	1	139788-020	
19	Cap Lock; Deckel; Couvercle	1	165317	
20	House. Hus; Haus.; Carter	1	165316	
21	O-ring O-ring; O-ring; Joint torique	1	28116	
22	Screw Skruv; Schraube; Vis	2	25933	
23	Washer Bricka; Scheibe; Rondelle	2	20404	

6230-032 Hydraulic lines chassis

[2000-11-14]

Chassimonterade hydraulledning; Hydraulikleitungen Chassis; Circuits hydrauliques châssis

Pos	Description	Pcs	Part No	Note
			657 RR M14 658 RR M14C	401375 - 401375 -
11	Hose(Meter) Slang(Meter); Schlauch(Meter); Tuyau flexible(Metre)		28108	
12	Connection Koppling; Kupplung; Raccord	1	127927-008	
13	Connection Koppling; Kupplung; Raccord	1	139788-018	
14	Connection Koppling; Kupplung; Raccord	1	29717	
15	Hose Slang; Schlauch; Tuyau flexible	2	169508	
16	Hollow screw Hålskruv; Hohlschraube; Vis à torage	2	29639	
17	Screw Skruv; Schraube; Vis	2	20871	
18	Clamp Klamma; Rohrschelle; Collier	2	164218	
19	Screw Skruv; Schraube; Vis	2	20928	
20	Nut Mutter; Mutter; Ecrou	2	20433	
21	Plug Plugg; Pfropf; Bouchon	1	23605	
22	Sealing Tätning; Dichtung; Joint	1	23062	
23	Screw Skruv; Schraube; Vis	2	24609	
24	Screw Skruv; Schraube; Vis	2	22288	
25	Washer Bricka; Scheibe; Rondelle	4	20375	
26	Connection Koppling; Kupplung; Raccord	1	145269	
27	Nipple Nippel; Nippel; Nipple	1	117430-008	
28	Connection Koppling; Kupplung; Raccord	1	29631	
29	Hose Slang; Schlauch; Tuyau flexible	1	174957	
30	Hose Slang; Schlauch; Tuyau flexible	1	169510	
31	Sealing ring Tätningsring; Dichtungsring; Bague d'étanchéité	1	20517	
32	Connection Koppling; Kupplung; Raccord	1	29720	
33	Clamp Klamma; Rohrschelle; Collier	4	28937	
34	Hose protection(Meter) Slangskydd(Meter); Schlauchschutz(Meter); Protection de tuyau flexible(Metre)		145409	
35	Hose Slang; Schlauch; Tuyau flexible	1	142462-001	
36	Connection Koppling; Kupplung; Raccord	2	28261	
37	Plate Plåt; Platte; Plaque	1	166882	
38	Connection(Non return valve) Koppling(Backventil); Kupplung(Rückschlagklappe); Raccord(Clapet de retenue)	1	170732-003	
39	Connection(Non return valve) Koppling(Backventil); Kupplung(Rückschlagklappe); Raccord(Clapet de retenue)	1	170732-002	

6320-039 Mast hydraulic lines

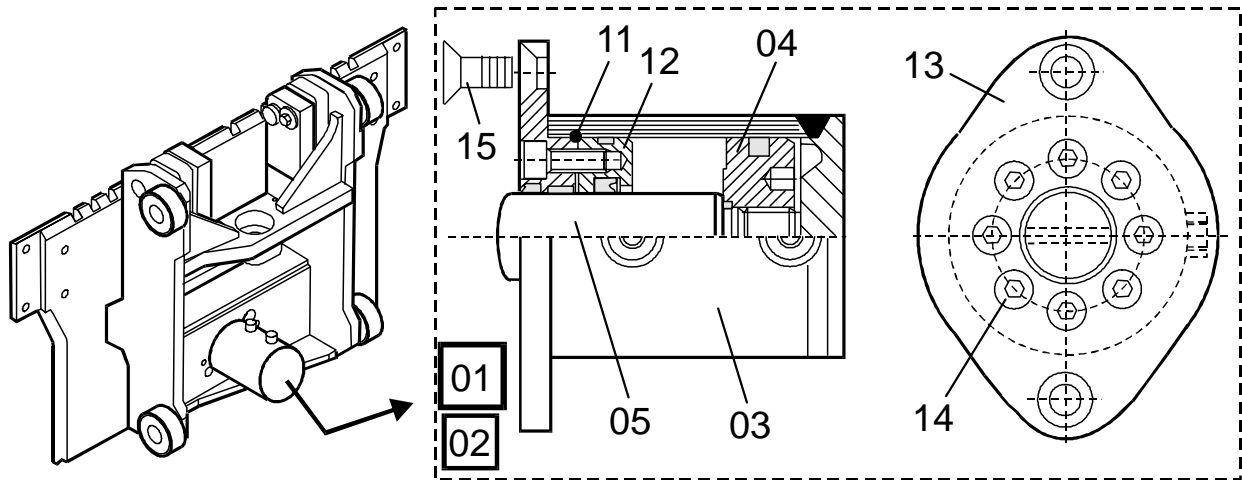
[1999-09-30]

Stativhydraulledning; Hydraulikleitungen Hubeinrichtung; Circuits hydrauliques mât

		657 RR M14 658 RR M14C		401375 - 401375 -	
Pos	Description	Pcs	Part No	Note	
11	Hose(+ Cable) Slang(+ Kabel); Schlauch(+ Kabel); Tuyau flexible(+ Câble)	1	164114-440		
11	Hose(+ Cable) Slang(+ Kabel); Schlauch(+ Kabel); Tuyau flexible(+ Câble)	1	164114-480		
11	Hose(+ Cable) Slang(+ Kabel); Schlauch(+ Kabel); Tuyau flexible(+ Câble)	1	164114-540		
11	Hose(+ Cable) Slang(+ Kabel); Schlauch(+ Kabel); Tuyau flexible(+ Câble)	1	164114-570		
11	Hose(+ Cable) Slang(+ Kabel); Schlauch(+ Kabel); Tuyau flexible(+ Câble)	1	164114-600		
13	Sealing Tätning; Dichtung; Joint	2	23249		
14	Nut Mutter; Mutter; Ecou	2	26492		
15	Hose Slang; Schlauch; Tuyau flexible	1	151074-440		
15	Hose Slang; Schlauch; Tuyau flexible	1	151074-480		
15	Hose Slang; Schlauch; Tuyau flexible	1	151074-540		
15	Hose Slang; Schlauch; Tuyau flexible	1	151074-570		
15	Hose Slang; Schlauch; Tuyau flexible	1	151074-600		
16	Pipe Rör; Rohr; Tube	1	105431		
17	Pipe Rör; Rohr; Tube	1	105430		
18	Connection Koppling; Kupplung; Raccord	1	29532		
19	Cable Kabel; Kabel; Câble	1	164748	Cover all lifthights, without TV Gäller alla lyfthöjder, utan TV; Gültig für alle hubhöhe, ohne TV; La totalité de élévation, sans TV	
20	Conductor joint socket Hylsskarvdon; Leistungsverbinder hülse; Connexion socle	1	144323-001		
21	Plug Stift; Stift; Fiche	3	144331-001		
22	Dust guard Damask; Gamaschen; Dispositif de protection	1	160187		
23	Bracket Fäste; Halterung; Support	1	164119		
24	Sleeve Hylsa; Hülse; Douille	3	155532-001		
25	Conductor joint socket Hylsskarvdon; Leistungsverbinder hülse; Connexion socle	1	28675		
28	Pipe Rör; Rohr; Tube	1	151076-440		
28	Pipe Rör; Rohr; Tube	1	151076-480		
28	Pipe Rör; Rohr; Tube	1	151076-540		
28	Pipe Rör; Rohr; Tube	1	151076-570		
28	Pipe Rör; Rohr; Tube		151076-600		
29	Bracket Fäste; Halterung; Support	1	151933		
30	Screw Skruv; Schraube; Vis	2	21935		

6660-003

P0009633

**6660-003 Tilt cylinders**

Tiltcylinder; Neigezylinder; Vérin d'inclinaison

[1999-03-02]

Without side shift; utan sidsiftaggregat; Ohne Seitenwechselgerät; Sans déplacement latéral			657 RR M14 658 RR M14C	401375 - 401375 -
Pos	Description	Pcs	Part No	Note
01	Tilting cylinder(Complete) Tiltcylinder(Komplett); Neigezylinder(Komplett); Verin de inclination(Comple)	1	155605	
02	Packing set Packningssats; Packungssatz; Jeux d'étanchéité.	1	154465	
03	Cylinder pipe Cylinderrör; Zylinderrohr; Tube de cylindre	1	154894	
04	Piston Kolv; Kolben; Piston	1	154893	
05	Piston rod Kolvstång; Kolbenstange; Tige de piston	1	157304	
11	Locking wire Låstråd; Schlossdraht; Cheville	1	154897	
12	Top guide Toppstyrning; Topsteuerung; Guide de sommet	1	154895	
13	Cap Lock; Deckel; Couvercle	1	154896	
14	Screw Skruv; Schraube; Vis	8	29939	
15	Screw Skruv; Schraube; Vis	2	20401	

7130-053 Main mast fork carriage

[1999-12-15]

Huvudstativokvagn; Gabel-/Aggregattr ager Haupthuberg ust; Tablier porte-fourches m at principal

		657 RR M14 658 RR M14C		401375 - 401375 -	
Pos	Description	Pcs	Part No	Note	
11	Screw Skruv; Schraube; Vis	2	22335		
12	Fork yoke Gaffelok; Gabeljoch; Porte-fourche	1	155597		
13	Fork carriage Gaffelvagn; Gabelwagen; Chariot porte-fourche	1	155596		
14	Screw Skruv; Schraube; Vis	2	20031		
15	Washer Bricka; Scheibe; Rondelle	2	55464		
16	Axle Axel; Achse; Axe	2	155609		
17	Screw Skruv; Schraube; Vis	2	20401		
18	Distance piece(30 x 42 x 0,1) Distans; Distanz; Distance		21881		
18	Distance piece(30 x 42 x 0,2) Distans; Distanz; Distance		21882		
18	Distance piece(30 x 42 x 0,3) Distans; Distanz; Distance		21883		
18	Distance piece(30 x 42 x 0,5) Distans; Distanz; Distance		21884		
18	Distance piece(30 x 42 x 1,0) Distans; Distanz; Distance		21885		
19	Roller(A = 78,2 mm, marked A) Rulle(A = 78,2 mm, m�arkt A); Rolle(A = 78,2 mm, marke A); Roleau(A = 78,2 mm, marqu�e A)	4	101423		
19	Roller(A = 78,6 mm, marked B) Rulle(A = 78,6 mm, m�arkt B); Rolle(A = 78,6 mm, marke B); Roleau(A = 78,6 mm, marqu�e B)	4	126011		
19	Roller(A = 78 mm, marked C) Rulle(A = 78 mm, m�arkt C); Rolle(A = 78 mm, marke C); Roleau(A = 78 mm, marqu�e C)	4	127698		
19	Roller(A = 78,4 mm, marked D) Rulle(A = 78,4 mm, m�arkt D); Rolle(A = 78,4 mm, marke D); Roleau(A = 78,4 mm, marqu�e D)	4	159713		

CLICK HERE TO **DOWNLOAD** THE COMPLETE MANUAL

- Thank you very much for reading the preview of the manual.
- You can download the complete manual from: www.heydownloads.com by clicking the link below



- Please note: If there is no response to CLICKING the link, please download this PDF first and then click on it.

CLICK HERE TO **DOWNLOAD** THE COMPLETE MANUAL