

## Quality Parts

RR B7 / B8 / E7 / E8 / ( C ) / 14 ( DC )

Valid for machine number..... 293892AA-301925AA

Only valid for machine number.....

Ordering number ..... 155522

Date ..... 1996-11-30 / ITS / ESIF

Language..... GB; SE; DE; FR

CLICK HERE TO **DOWNLOAD** THE COMPLETE MANUAL

- Thank you very much for reading the preview of the manual.
- You can download the complete manual from: [www.heydownloads.com](http://www.heydownloads.com) by clicking the link below



- Please note: If there is no response to CLICKING the link, please download this PDF first and then click on it.

CLICK HERE TO **DOWNLOAD** THE COMPLETE MANUAL

**6270-002 Hose, reel** **Lift height = 7500 mm - 9000 mm**  
Slangvinda, vippstycke; Schlauchtrommel, Schwenkkupplung; Enrouleur, joint tournant

## **7000 Operating funktion - lifting mast/cylinder**

Arbetsfunktion - lyftstativ/cylindrar; Arbeitsfunktion - Hubgerüst / zylinder; Fonction de travail - mat / cylindre

**7120-012 Chains / yokes / rollers**  
Kedja/kedjeok/rullar; Kette / Kettenjoch / Rollen; Chaines / poulies

**7120-032 Chains / yokes / rollers**  
Kedja/kedjeok/rullar; Kette / Kettenjoch / Rollen; Chaines / poulies

**7130-005 Main mast fork carriage** **With side shift**  
Huvudstativokvagn; Gabel-/Aggregatträger Haupthubergüst; Tablier porte-fourches mât principal

**7150-001 Mast guidance / dampers**  
Stativstyrning / dämpning; Stativführung / Dämpfer; Guidage de mat

**7190-005 Mast carriage, mast fixation points**  
Stativfästning; Mastbefestigung / Wagen; Chariot porte-mat / point fixation mat

**7310-013 Lift cylinders**  
Lyftcylinder; Hubzylinder; Verin de levage

**7310-036 Lift cylinders**  
Lyftcylinder; Hubzylinder; Verin de levage

**7320-003 Tilt cylinders**  
Tiltcylinder; Neigezylinder; Vérin d'inclinaison

**7320-004 Tilt cylinders** **Tilt cylinder - Cabin ERGO-REX**  
Tiltcylinder; Neigezylinder; Vérin d'inclinaison

**7330-002 Reach cylinders**  
Utskjuts-/initiallyftcylinder; Teleskopzylinder Schubzylinder; Verin de retraction

**7340-006 Free initial lift cylinder**  
Fri-/initiallyftcylinder; Zylinder Frei- / initialhub; Verins de levage initial et libre

**7340-014 Free initial lift cylinder**  
Fri-/initiallyftcylinder; Zylinder Frei- / initialhub; Verins de levage initial et libre

**7410-003 Fork, carpet boom, lift hook**  
Lyftgaffel/-pik/-krok; Hubgabel/-dorn/-haken; Fourche, éperon, crochet de levage

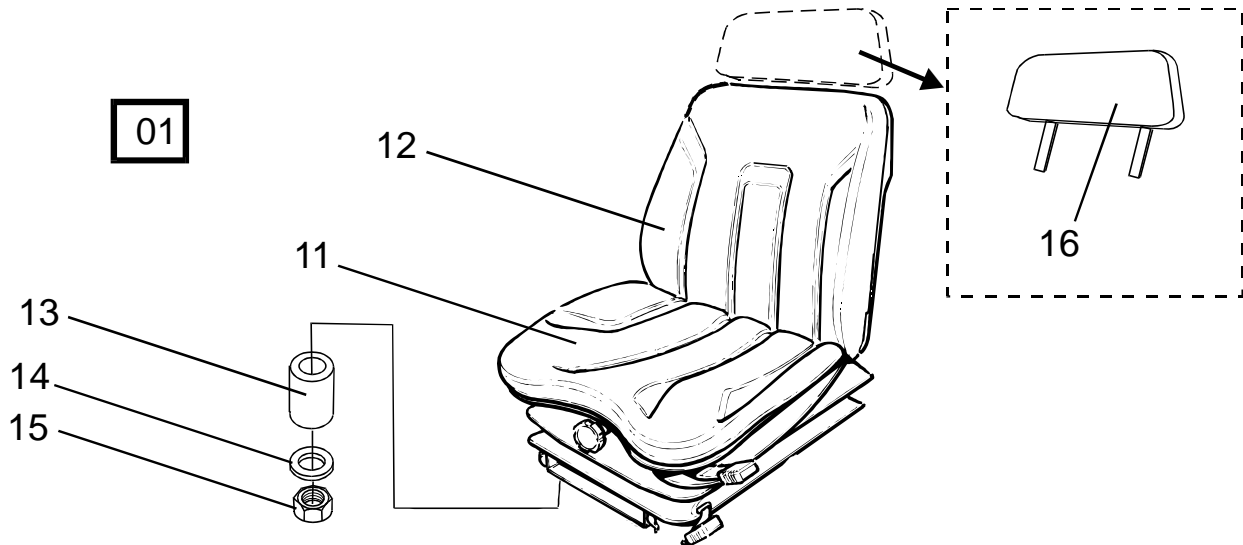
## 0390-012 Battery compartment parts

[1997-05-14]

Batteriutrymmesdelar; Batterieraumteile; Pièce de compartiment batterie

Cabin tilt ERGO - REX; Hyttilt ERGO - REX; Umklappbar Kabinen ERGO - REX; Cabine oscillant ERGO - REX		307 RR E7-E8		265200 - 326472	
Pos	Description	Pcs	Part No	Note	
11	Key(L = 263 mm, M = 39 mm) Kil; Keil; Clavette	1	141242-010		
11	Key(L = 411 mm, M = 39 mm) Kil; Keil; Clavette	1	141242-030		
11	Key(L = 263 mm, M = 47 mm) Kil; Keil; Clavette	1	147969-010		
11	Key(L = 411 mm, M = 47 mm) Kil; Keil; Clavette	1	147969-030		
12	Key(L = 263 mm, M = 39 mm) Kil; Keil; Clavette	1	141243-010		
12	Key(L = 411 mm, M = 39 mm) Kil; Keil; Clavette	1	141243-030		
12	Key(L = 263 mm, M = 47 mm) Kil; Keil; Clavette	1	147970-010		
12	Key(L = 411 mm, M = 47 mm) Kil; Keil; Clavette	1	147970-030		
13	Axle Axel; Achse; Axe	2	105393		
14	Screw Skruv; Schraube; Vis	2	20259		
15	Protection(N = 40 mm) Skydd; Schutz; Protègee	1	146361-010		
15	Protection(N = 115 mm) Skydd; Schutz; Protègee	1	146361-030		
15	Protection(N = 187 mm) Skydd; Schutz; Protègee	1	146361-050		
16	Protection Skydd; Schutz; Protègee	1	146032		
17	Screw Skruv; Schraube; Vis	6	22229		
18	Washer Bricka; Scheibe; Rondelle	6	20375		
19	Pedal Pedal; Pedal; Pédale	1	145203		
20	Plate Plåt; Platte; Plaque	1	144840		
21	Spring(Stainless Steel) Fjäder(Rostfri); Feder(Nichtrostende); Ressort(Inoxydable)	1	109909	Cold stores Fryshus; Gefrieranlage; Chambre frigorifique	
21	Spring Fjäder; Feder; Ressort	1	53037		
22	Screw Skruv; Schraube; Vis	1	28344		
23	Nut Mutter; Mutter; Ecrou	1	20045		
24	Spring Fjäder; Feder; Ressort	1	29659		
25	Screw Skruv; Schraube; Vis	3	29982		
26	Catch Spärr; Sperre; Arret	1	144415		
27	Bush Bussning; Bague; Bague	1	44110		
28	Screw(Stainless Steel) Skruv(Rostfri); Schraube(Nichtrostende); Vis(Inoxydable)	1	126733	Cold stores Fryshus; Gefrieranlage; Chambre frigorifique	
28	Screw Skruv; Schraube; Vis	1	65958		
29	Screw Skruv; Schraube; Vis	1	21503		

## 0620-003



## 0620-003 Seat, cushions

[1996-10-01]

Förarstol, dynor; Fahrersitz, Kissen; Siège, coussins de siège/dossier

Pos	Description	Pcs	Part No	Note
			304 RR B7-B8	265200 - 306400
01	Seat with spring system cpl. Stol fjädrande kpl.; Sitz mit Federung Kpl.; Siege avec suspension à ressort cpl.	1	144844	
01	Seat with spring system cpl.(Heated 48V / textile) Stol fjädrande kpl.(El-uppvärmd 48V / textil); Sitz mit Federung Kpl.(El, Erwärmung 48V / Textil); Siege avec suspension à ressort cpl.(Chauffage él, 48V / textile)	1	145280	
01	Seat with spring system cpl.(Heated 48V / PVC - coating) Stol fjädrande kpl.(El-uppvärmd 48V / galon); Sitz mit Federung Kpl.(El, Erwärmung 48V / Tresse); Siege avec suspension à ressort cpl.(Chauffage él, 48V / galon)	1	145281	
11	Seat cushion Sitt dyna; Sitzkissen; Siège	1	146522-001	
11	Seat cushion(Heated 48V / textile) Sitt dyna(El-uppvärmd 48V / textil); Sitzkissen(El, Erwärmung 48V / Textil); Siège(Chauffage él, 48V / textile)	1	146522-002	
11	Seat cushion(Heated 48V / PVC - coating) Sitt dyna(El-uppvärmd 48V / galon); Sitzkissen(El, Erwärmung 48V / Tresse); Siège(Chauffage él, 48V / galon)	1	146522-003	
12	Back rest Ryggdyna; Rückenlehne; Dossier	1	146523-001	
12	Back rest(Heated 48V / textile) Ryggdyna(El-uppvärmd 48V / textil); Rückenlehne(El, Erwärmung 48V / Textil); Dossier(Chauffage él, 48V / textile)	1	146523-002	
12	Back rest(Heated 48V / PVC - coating) Ryggdyna(El-uppvärmd 48V / galon); Rückenlehne(El, Erwärmung 48V / Tresse); Dossier(Chauffage él, 48V / galon)	1	146523-003	
13	Distance piece Distans; Distanz; Distance	4	146334	
14	Washer Bricka; Scheibe; Rondelle	4	20404	
15	Nut Mutter; Mutter; Ecrou	4	20016	
16	Backrest extension(Textile) Ryggstödsförlängning(Textil); Rückenlehene, verlängerung(Textil); Dossier, allongement(Textile)	1	150926-001	
16	Backrest extension(PVC - coating) Ryggstödsförlängning(Galon); Rückenlehene, verlängerung(Tresse); Dossier, allongement(Galon)	1	150926-002	

## Quality Parts

0680-005

Pos	Description	Pcs	Part No	Note
20	<b>Skidding protection</b> Halkskydd; Rutschabdeckung; Dispositif antidérapant	1	143286	
21	<b>Skidding protection</b> Halkskydd; Rutschabdeckung; Dispositif antidérapant	1	143287	
22	<b>Panel</b> Panel; Paneel; Panneau	1	143296	
23	<b>Panel</b> Panel; Paneel; Panneau	1	143306	
24	<b>Screw</b> Skruv; Schraube; Vis	1	20938	
25	<b>Nut</b> Mutter; Mutter; Ecrou	1	127035-003	
26	<b>Frame</b> Ram; Rahmen; Cadre	2	133416	
27	<b>Cap</b> Lock; Deckel; Couvercle	2	132577	
28	<b>Panel</b> Panel; Paneel; Panneau	1	143309	
29	<b>Panel</b> Panel; Paneel; Panneau	1	145263	
30	<b>Screw</b> Skruv; Schraube; Vis	4	20938	
31	<b>Nut</b> Mutter; Mutter; Ecrou	4	127035-003	
32	<b>Screw</b> Skruv; Schraube; Vis	4	20938	
33	<b>Nut</b> Mutter; Mutter; Ecrou	4	127035-003	
34	<b>Washer</b> Bricka; Scheibe; Rondelle	4	29758	
35	<b>Washer</b> Bricka; Scheibe; Rondelle	1	29758	
36	<b>Washer</b> Bricka; Scheibe; Rondelle	4	29758	
37	<b>Sleeve</b> Hylsa; Hülse; Douille	2	148496	RR B4-B8

## Quality Parts

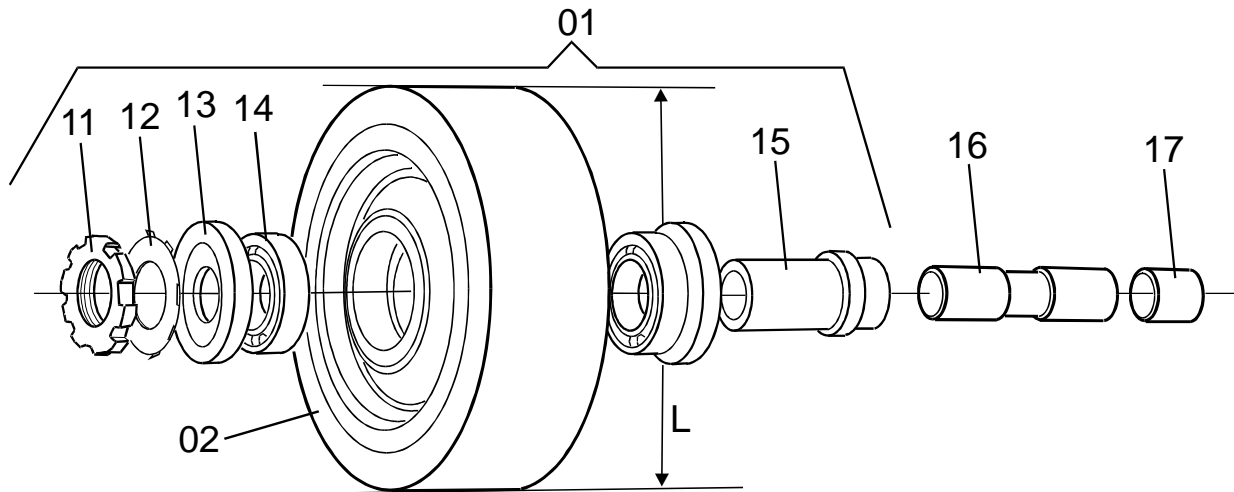
0820-026

Pos	Description	Pcs	Part No	Note
21	Bracket Fäste; Halterung; Support	1	144411	
22	Plate Plåt; Platte; Plaque	1	144199	
23	Screw Skruv; Schraube; Vis	2	20154	
24	Washer Bricka; Scheibe; Rondelle	4	20375	
25	Nut Mutter; Mutter; Ecrou	2	20249	
26	Screw Skruv; Schraube; Vis	2	20154	
27	Washer Bricka; Scheibe; Rondelle	4	20375	
28	Nut Mutter; Mutter; Ecrou	2	20249	
29	Hinge Gångjärn; Chamier; Charnière	1	144309	
30	Screw Skruv; Schraube; Vis	2	21503	
31	Washer Bricka; Scheibe; Rondelle	4	20375	
32	Nut Mutter; Mutter; Ecrou	2	20249	
33	Screw Skruv; Schraube; Vis	2	20439	
34	Washer Bricka; Scheibe; Rondelle	2	20348	
35	Bracket Fäste; Halterung; Support	1	144335	
36	Nut Mutter; Mutter; Ecrou	1	20081	
37	Screw Skruv; Schraube; Vis	1	117919	
38	Gas suspension(800 Newton) Gasfjäder; Gasfederung; Suspension à gaz	1	122314-088	
39	Nut Mutter; Mutter; Ecrou	1	20081	
40	Plate Plåt; Platte; Plaque	1	147537	
41	Screw Skruv; Schraube; Vis	2	28511	
42	Screw Skruv; Schraube; Vis	1	20050	
43	Nut Mutter; Mutter; Ecrou	1	20081	
44	Washer Bricka; Scheibe; Rondelle	2	20404	
45	Finger cover Fingerskydd; Fingerschutz; Protège main	1	149781	
46	Screw Skruv; Schraube; Vis	3	21159	
47	Washer Bricka; Scheibe; Rondelle	3	20404	
48	Nut Mutter; Mutter; Ecrou	3	20016	
49	Screw Skruv; Schraube; Vis	4	29810	
50	Washer Bricka; Scheibe; Rondelle	2	20404	
51	Nut Mutter; Mutter; Ecrou	2	20016	
52	Nut Mutter; Mutter; Ecrou	2	20081	





## 3550-012



## 3550-012 Fork/support arm wheels

[1996-11-21]

Gaffel-/stödbenshjul; Gabel-/Stützarmrollen; Roues bras-support

Pos	Description	Pcs	Part No	Note
Support arm wheel with brake; Stödbenshjul, bromsad; Spreizenrad mit brems; Roue de longeron, avec frein			304 RR B7-B8 307 RR E7-E8	265200 - 326472 265200 - 326472
01	Wheel complete(L = 350 mm) Hjul komplett; Rad komplett; Roue complete	2	144375	
01	Wheel complete(L = 350 mm) Hjul komplett; Rad komplett; Roue complete	2	147982	Cold stores Fryshus; Gefrieranlage; Chambre frigorifique
02	Wheel(L = 350 mm) Hjul; Rad; Roue	2	144374	
11	Nut Mutter; Mutter; Ecrou	2	20139	
12	Washer Bricka; Scheibe; Rondelle	2	20138	
13	Sealing ring Tätningring; Dichtungsring; Bague d'étanchéité	4	28551	
14	Bearing Lager; Lager; Roulement	4	28550	
15	Sleeve Hylsa; Hülse; Douille	2	143161	
15	Sleeve Hylsa; Hülse; Douille	2	147979	Cold stores Fryshus; Gefrieranlage; Chambre frigorifique
16	Axle Axel; Achse; Axe	2	143159	
16	Axle Axel; Achse; Axe	2	147977	Cold stores Fryshus; Gefrieranlage; Chambre frigorifique
17	Ring Ring; Ring; Bague	2	21903	

## Quality Parts

5280-003

Pos	Description	Pcs	Part No	Note
18	<b>Nut</b> Mutter; Mutter; Ecrou	2	20255	
19	<b>Screw</b> Skruv; Schraube; Vis	4	29744	
20	<b>Nut</b> Mutter; Mutter; Ecrou	4	28972	
21	<b>Screw</b> Skruv; Schraube; Vis	4	21134	
22	<b>Nut</b> Mutter; Mutter; Ecrou	4	20255	
23	<b>List</b> List; Leiste; Bande	2	142533	
24	<b>Lamina</b> Platta; Platten; Platine	2	142532	
25	<b>Section</b> Profil; Profil; Section	1	142529	
26	<b>Nut</b> Mutter; Mutter; Ecrou	2	20235	
27	<b>Screw</b> Skruv; Schraube; Vis	2	20021	
28	<b>Clamp</b> Klamma; Rohrschelle; Collier	2	142535	
29	<b>Damper</b> Dämpare; Dämpfer; Attenteur	2	142531	
30	<b>Magnet</b> Magnet; Magnet; Magnétique	2	145639	
31	<b>Washer</b> Bricka; Scheibe; Rondelle	4	21392	

CLICK HERE TO **DOWNLOAD** THE COMPLETE MANUAL

- Thank you very much for reading the preview of the manual.
- You can download the complete manual from: [www.heydownloads.com](http://www.heydownloads.com) by clicking the link below



- Please note: If there is no response to CLICKING the link, please download this PDF first and then click on it.

CLICK HERE TO **DOWNLOAD** THE COMPLETE MANUAL

## Quality Parts

5330-002

Pos	Description	Pcs	Part No	Note
20	<b>Conductor joint socket</b> Hylsskarvdon; Leistungsverbinder hülse; Connexion socle	1	132659-005	
21	<b>Consol</b> Konsol; Konsole; Console	1	139388	
22	<b>Washer</b> Bricka; Scheibe; Rondelle	1	44471	
23	<b>Screw</b> Skruv; Schraube; Vis	2	21753	
24	<b>Washer</b> Bricka; Scheibe; Rondelle	2	21317	
25	<b>Washer</b> Bricka; Scheibe; Rondelle	2	21035	
26	<b>Housing</b> Kåpa; Haus; Chape	1	139401	



**Quality Parts**

5750-033

Pos	Description	Pcs	Part No	Note
20	Speed regulation, kit complete Hastighetsreglering, sats komplett; Geschwindigkeitsregulierung, satz kpl.; Régulateur de la vitesse, jeux cpl.	1	152932-003	



**6120-047 Hoses and pipes, connection, fixation**

[1997-10-07]

Rör-/slangedning, koppl., fastsättning; Rohr/Schlauch/Verschraubung. befestig.; Tuyaux / flexibles raccords

		304 RR B7-B8 307 RR E7-E8		285732 - 326472 285732 - 326472	
Pos	Description	Pcs	Part No	Note	
11	Connection Koppling; Kupplung; Raccord	1	127927-008		
12	Connection Koppling; Kupplung; Raccord	1	139788-018		
13	Hose(Meter) Slang(Meter); Schlauch(Meter); Tuyau flexible(Metre)		28108		
14	Connection Koppling; Kupplung; Raccord	1	22960		
15	Hose Slang; Schlauch; Tuyau flexible	1	142469-001		
16	Clamp Klamma; Rohrschelle; Collier	2	143405		
17	Clamp Klamma; Rohrschelle; Collier	2	145470		
18	Screw Skruv; Schraube; Vis	2	162221		
19	Washer Bricka; Scheibe; Rondelle	4	20375		
20	Nut Mutter; Mutter; Ecrou	2	20433		
21	Connection Koppling; Kupplung; Raccord	1	28064		
22	Hose Slang; Schlauch; Tuyau flexible	1	148827		
23	Connection Koppling; Kupplung; Raccord	1	28261		
24	Hose Slang; Schlauch; Tuyau flexible	1	142463-001		
25	Hollow screw Hålskruv; Hohlschraube; Vis à torage	1	29693		
26	Sealing ring Tätning; Dichtungsring; Bague d'étanchéité	2	22946		
27	Hose Slang; Schlauch; Tuyau flexible	1	142465-002		
28	Connection Koppling; Kupplung; Raccord	2	28780		
29	Nipple(Non return valve) Nippel(Backventil); Nippel(Rückschlagklappe); Nipple(Clapet de retenue)	1	146029-103		
30	Sealing Tätning; Dichtung; Joint	2	22944		
31	Nipple(Non return valve) Nippel(Backventil); Nippel(Rückschlagklappe); Nipple(Clapet de retenue)	1	146029-102		
32	Sealing Tätning; Dichtung; Joint	2	22944		
33	Connection Koppling; Kupplung; Raccord	1	23045		
34	Hose Slang; Schlauch; Tuyau flexible	1	142352-001		
35	Hose Slang; Schlauch; Tuyau flexible	1	142464-001		
36	Hose(Meter) Slang(Meter); Schlauch(Meter); Tuyau flexible(Metre)		28108		
38	Screw Skruv; Schraube; Vis	2	22288		
39	Screw Skruv; Schraube; Vis	2	24609		
40	Connection Koppling; Kupplung; Raccord	1	29631		
41	Hose Slang; Schlauch; Tuyau flexible	1	145344-002		

**6120-080 Hoses and pipes, connection, fixation**

[1996-11-21]

Rör-/slangedning, koppl., fastsättning; Rohr/Schlauch/Verschraubung, befestig.; Tuyaux / flexibles raccords

Cabin tilt ERGO - REX; Hyttilt ERGO - REX; Umklappbar Kabinen ERGO - REX; Cabine oscillant ERGO - REX		307 RR E7-E8		293892 - 301925
Pos	Description	Pcs	Part No	Note
11	Hose Slang; Schlauch; Tuyau flexible	1	135301	
12	Connection Koppling; Kupplung; Raccord	1	28780	
13	Connection Koppling; Kupplung; Raccord	1	28944	
14	Connection Koppling; Kupplung; Raccord	1	28780	
15	Connection Koppling; Kupplung; Raccord	1	28780	
16	Hose Slang; Schlauch; Tuyau flexible	1	136112	
17	Hose Slang; Schlauch; Tuyau flexible	1	135299	
18	Connection Koppling; Kupplung; Raccord	1	28802	
19	Connection Koppling; Kupplung; Raccord	2	127927-008	
20	Connection Koppling; Kupplung; Raccord	2	139788-018	
21	Hose(Meter) Slang(Meter); Schlauch(Meter); Tuyau flexible(Metre)		28108	
22	Connection Koppling; Kupplung; Raccord	1	139788-018	Cold stores Fryshus; Gefrieranlage; Chambre frigorifique
23	Connection Koppling; Kupplung; Raccord	1	27491	
24	Hose Slang; Schlauch; Tuyau flexible	1	146519	
25	Connection Koppling; Kupplung; Raccord	1	28780	





Pos	Description	Pcs	Part No	Note
01	Lift cylinder(L = 3537 mm) Lyftcylinder; Hubzylinder; Verin de levage	2	135720-950	
02	Packing set Packningssats; Packungssatz; Jeux d' étanchéité.	2	138215	
03	Cylinder pipe Cylinderrör; Zylinderrohr; Tube de cylindre	2	135721-100	
03	Cylinder pipe Cylinderrör; Zylinderrohr; Tube de cylindre	2	135721-105	
03	Cylinder pipe Cylinderrör; Zylinderrohr; Tube de cylindre	2	135721-108	
03	Cylinder pipe Cylinderrör; Zylinderrohr; Tube de cylindre	2	135721-480	
03	Cylinder pipe Cylinderrör; Zylinderrohr; Tube de cylindre	2	135721-540	
03	Cylinder pipe Cylinderrör; Zylinderrohr; Tube de cylindre	2	135721-630	
03	Cylinder pipe Cylinderrör; Zylinderrohr; Tube de cylindre	2	135721-700	
03	Cylinder pipe Cylinderrör; Zylinderrohr; Tube de cylindre	2	135721-800	
03	Cylinder pipe Cylinderrör; Zylinderrohr; Tube de cylindre	2	135721-850	
03	Cylinder pipe Cylinderrör; Zylinderrohr; Tube de cylindre	2	135721-900	
03	Cylinder pipe Cylinderrör; Zylinderrohr; Tube de cylindre	2	135721-950	
04	Piston Kolv; Kolben; Piston	2	135725	
05	Piston rod Kolvstång; Kolbenstange; Tige de piston	2	135724-100	
05	Piston rod Kolvstång; Kolbenstange; Tige de piston	2	135724-105	
05	Piston rod Kolvstång; Kolbenstange; Tige de piston	2	135724-108	
05	Piston rod Kolvstång; Kolbenstange; Tige de piston	2	135724-480	
05	Piston rod Kolvstång; Kolbenstange; Tige de piston	2	135724-540	
05	Piston rod Kolvstång; Kolbenstange; Tige de piston	2	135724-630	
05	Piston rod Kolvstång; Kolbenstange; Tige de piston	2	135724-700	
05	Piston rod Kolvstång; Kolbenstange; Tige de piston	2	135724-800	
05	Piston rod Kolvstång; Kolbenstange; Tige de piston	2	135724-850	
05	Piston rod Kolvstång; Kolbenstange; Tige de piston	2	135724-900	
05	Piston rod Kolvstång; Kolbenstange; Tige de piston	2	135724-950	
11	Scraper Avskrapare; Abkratzer; Segment racleur	2	20911	
12	Guide Styrning; Steuerung; Guidage	2	135737	
13	Top guide Toppstyrning; Topsteuerung; Guide de sommet	2	148180	
14	Sleeve Hylsa; Hülse; Douille	2	135727	
15	Guide Styrning; Steuerung; Guidage	2	132425-050	
16	Sealing Tätning; Dichtung; Joint	2	132423-050	
17	By-pass valve Överströmningventil; Überströmventil; Vannes de décharge	2	29690	
18	Screw Skruv; Schraube; Vis	2	29779	



CLICK HERE TO **DOWNLOAD** THE COMPLETE MANUAL

- Thank you very much for reading the preview of the manual.
- You can download the complete manual from: [www.heydownloads.com](http://www.heydownloads.com) by clicking the link below



- Please note: If there is no response to CLICKING the link, please download this PDF first and then click on it.

CLICK HERE TO **DOWNLOAD** THE COMPLETE MANUAL