

Quality Parts

RR B5 / B6 / E5 / E6 / (C) / 15 (AC) (ACi)

Valid for machine number..... 336097AA-

Only valid for machine number.....

Ordering number..... 171173

Date 1999-03-25 / ESDF

Language..... GB; SE; DE; FR

CLICK HERE TO **DOWNLOAD** THE COMPLETE MANUAL

- Thank you very much for reading the preview of the manual.
- You can download the complete manual from: www.heydownloads.com by clicking the link below



- Please note: If there is no response to CLICKING the link, please download this PDF first and then click on it.

CLICK HERE TO **DOWNLOAD** THE COMPLETE MANUAL

- 6320-021 Mast mounted hoses and pipes**
Stativmonterade hydraulledning; Schläuche und Rohre hingen in den Mast ein; Tuyaux, tube monté dans le mât
- 6370-004 Mast hose reel/ Swivel joint**
Stativslangvinda/ Vippstycke; Schlauchtrommel, Schwenkkupplung Hubeinrichtung; Enrouleur/ joint tournant mât
- 6370-005 Mast hose reel/ Swivel joint**
Stativslangvinda/ Vippstycke; Schlauchtrommel, Schwenkkupplung Hubeinrichtung; Enrouleur/ joint tournant mât
- 6610-017 Main lift cylinder**
Huvudlyftcylinder; Haupthubzylinder; Verin de levage, principal
- 6620-008 Free lift cylinder**
Frilyftcylinder; Zylinder Freihub; Verins de levage libre
- 6650-001 Reach/telescopic cylinders**
Utskjut-/teleskopcylinder; Vorschub-/Teleskopzylinder; Vérin de rétraction/téléscopique
- 6660-002 Tilt cylinders**
Tiltcylinder; tiltzylinder; verin d'inclinaison
- 6660-003 Tilt cylinders**
Tiltcylinder; tiltzylinder; verin d'inclinaison
- 6660-004 Tilt cylinders**
Tiltcylinder; tiltzylinder; verin d'inclinaison
- 6670-002 Other hydraulic cylinders**
Övriga hydraulcylindrar; Übrige hydraul. Zylinder; Autres vérins hydrauliques

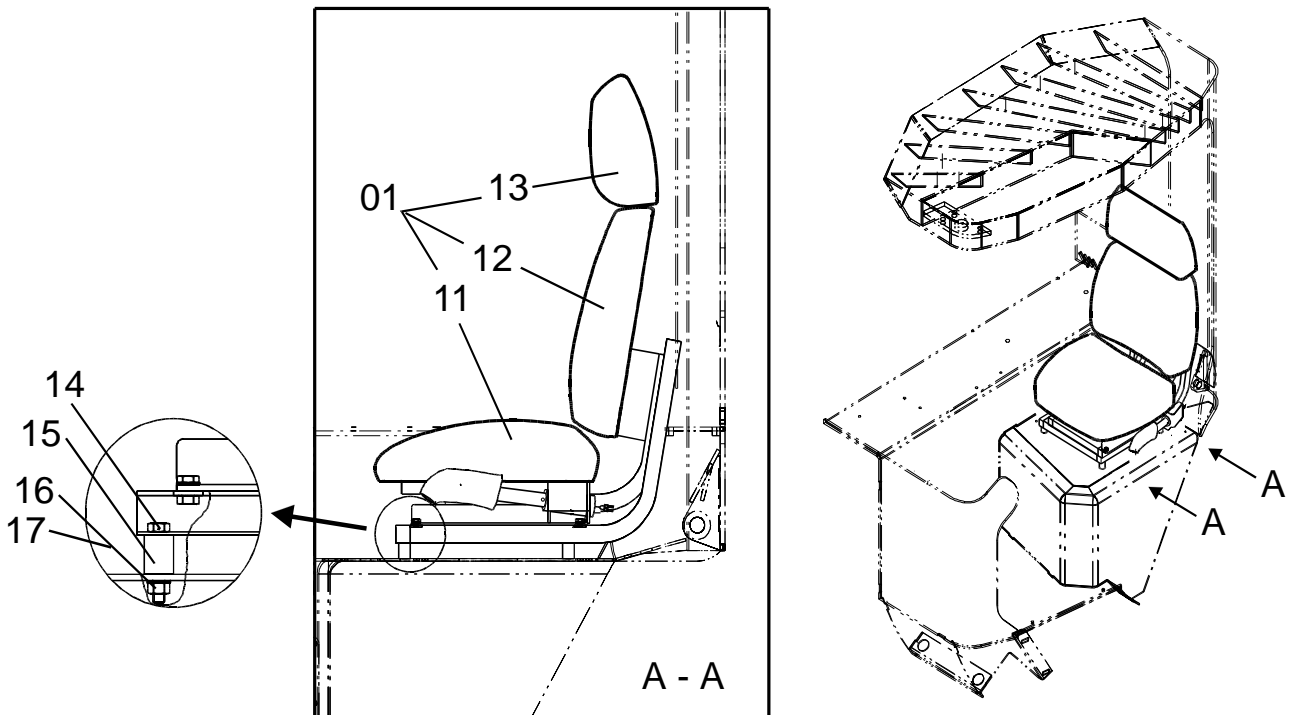
0390-019 Battery compartment parts

[1997-06-09]

Batteriutrymmen/fästen; Batteriraum/Befestigung; Compartment

			405 RR B5-B6	301518 -
Pos	Description	Pcs	Part No	Note
11	Key(L = 263 mm, M = 47 mm) Kil; Keil; Clavette	1	147969-010	
11	Key(L = 411 mm, M = 47 mm) Kil; Keil; Clavette	1	147969-030	
11	Key(L = 263 mm, M = 44 mm) Kil; Keil; Clavette	1	85245	Roller bed Rullplan; Rollentisch; Train de rouleaux
11	Key(L = 411 mm, M = 44 mm) Kil; Keil; Clavette	1	85257	Roller bed Rullplan; Rollentisch; Train de rouleaux
12	Key(L = 263 mm, M = 47 mm) Kil; Keil; Clavette	1	147970-010	
12	Key(L = 411 mm, M = 47 mm) Kil; Keil; Clavette	1	147970-030	
12	Key(L = 263 mm, M = 44 mm) Kil; Keil; Clavette	1	85244	Roller bed Rullplan; Rollentisch; Train de rouleaux
12	Key(L = 411 mm, M = 44 mm) Kil; Keil; Clavette	1	85256	Roller bed Rullplan; Rollentisch; Train de rouleaux
13	Axle Axel; Achse; Axe	2	105393	
14	Screw Skruv; Schraube; Vis	2	20259	
15	Catch Spärr; Sperre; Arret	1	141536	
16	Bush Bussning; Bague; Bague	1	44110	
17	Screw(Stainless Steel) Skruv(Rostfri); Schraube(Nichtrostende); Vis(Inoxydable)	1	126733	Cold stores Fryshus; Gefrieranlage; Chambre frigorifique
17	Screw Skruv; Schraube; Vis	1	65958	
18	Spring(Stainless Steel) Fjäder(Rostfri); Feder(Nichtrostende); Ressort(Inoxydable)	1	109909	Cold stores Fryshus; Gefrieranlage; Chambre frigorifique
18	Spring Fjäder; Feder; Ressort	1	53037	
19	Screw Skruv; Schraube; Vis	1	20599	
20	Screw Skruv; Schraube; Vis	1	21503	
21	Nut Mutter; Mutter; Ecrou	1	20249	
22	Nut Mutter; Mutter; Ecrou	1	20148	
23	Plate(N = 58 mm) Plåt; Platte; Plaque	1	146355	RR B5
23	Plate(N = 126 mm) Plåt; Platte; Plaque	1	147307	
23	Plate(N = 196 mm) Plåt; Platte; Plaque	1	147308	RR B8
24	Roller(Complete) Rulle(Komplett); Rolle(Komplett); Roleau(Complet)	4	85246-286	K = 277 mm
24	Roller(Complete) Rulle(Komplett); Rolle(Komplett); Roleau(Complet)	4	85246-355	K = 346 mm
24	Roller(Complete) Rulle(Komplett); Rolle(Komplett); Roleau(Complet)	4	85246-429	K = 420 mm
24	Roller(Complete) Rulle(Komplett); Rolle(Komplett); Roleau(Complet)	4	85246-440	K = 431 mm
24	Roller(Complete) Rulle(Komplett); Rolle(Komplett); Roleau(Complet)	4	85246-500	K = 491 mm
25	Axle Axel; Achse; Axe	4	85247-286	P = 300 mm
25	Axle Axel; Achse; Axe	4	85247-355	P = 369 mm

0620-004



0620-004 Seat cushions / back rest

[1996-11-21]

Förarstol/dynor; Fahrersitz / Kissen; Coussins de siege / dossier

Cabin tilt ERGO - REX; Hytttilt ERGO - REX; Umklappbar Kabinen ERGO - REX; Cabine oscillant ERGO - REX			411 RR E5-E6	301518 -
Pos	Description	Pcs	Part No	Note
01	Seat with spring system cpl. Stol fjädrande kpl.; Sitz mit Federung Kpl.; Siege avec suspension à ressort cpl.	1	137582-001	
01	Seat with spring system cpl.(Heated 48V) Stol fjädrande kpl.(El-uppvärmd 48V); Sitz mit Federung Kpl.(Erwärmung 48V); Siege avec suspension à ressort cpl.(Chauffage él 48V)	1	137582-002	
11	Seat cushion Sitt dyna; Sitzkissen; Siége	1	138194	
11	Seat cushion(Heated 48V) Sitt dyna(El-uppvärmd 48V); Sitzkissen(Erwärmung 48V); Siége(Chauffage él 48V)	1	150439	
12	Back rest Ryggdyna; Rückenlehne; Dossier	1	138196	
12	Back rest(Heated 48V) Ryggdyna(El-uppvärmd 48V); Rückenlehne(Erwärmung 48V); Dossier(Chauffage él 48V)	1	150438	
13	Head rest Nackstöd; Nackenstütze; Couvre-naque	1	138197	
14	Screw Skruv; Schraube; Vis	4	21159	
15	Distance piece Distans; Distanz; Distance	4	146334	
16	Washer Bricka; Scheibe; Rondelle	4	22553	
17	Nut Mutter; Mutter; Ecrou	4	20016	

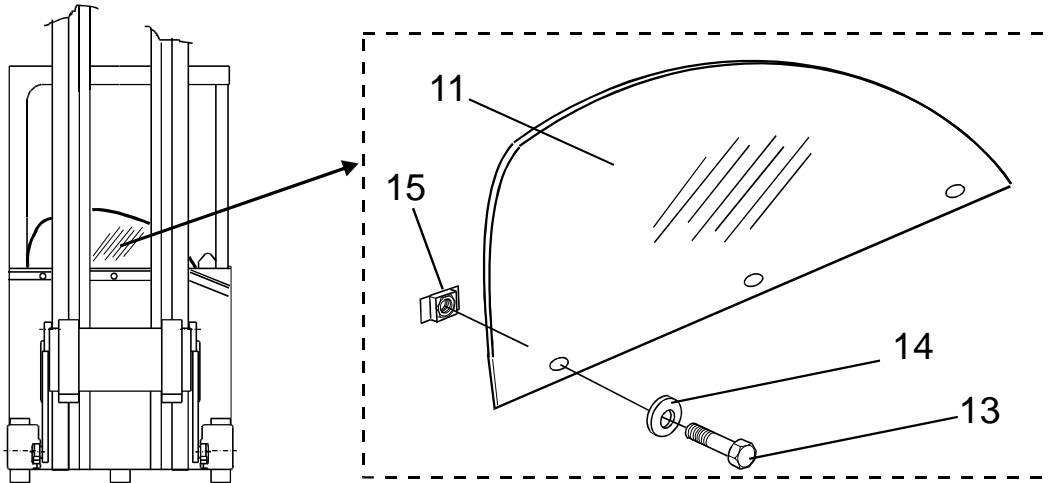
0640-033 Driver controls (mechanical)

[1998-05-14]

Förrarreglage (mekaniskt); Bedienungsorgane für fahrer (mech); Commandes (mecanique)

With travel direction switch; Med färdväljare; Mit Richtungsschalter; Avec micro de direction		405 RR B5-B6 411 RR E5-E6	301518 - 301518 -	
Pos	Description	Pcs	Part No	Note
11	Pedal unit compl. Pedalställ kompl.; Pedalsatz Kompl.; Unité de pédale compl.	1	186099	
12	Axle Axel; Achse; Axe	1	185532	
13	Bush Bussning; Bague; Bague	1	185747	
14	Washer Bricka; Scheibe; Rondelle	1	20404	
15	Spring Fjäder; Feder; Ressort	1	185706	
16	Clip nut(Including axle) Låsclips(Med axel); Schlitzmutter(Mit Achse); Tôle de ecrou(Avec axe)	1	185704	
17	Bracket Fäste; Halterung; Support	1	185703	
18	Spring Fjäder; Feder; Ressort	1	29791	
19	Pedal Pedal; Pedal; Pédale	1	186100	
20	Pedal rubber Pedalgummi; Pedalgummi; Caoutchouc de pedale	1	53201	
23	Axle Axel; Achse; Axe	1	185722	
24	Bush Bussning; Bague; Bague	4	185700	
25	Washer Bricka; Scheibe; Rondelle	2	20348	
26	Nut Mutter; Mutter; Ecrou	2	20045	
27	Nut Mutter; Mutter; Ecrou	1	20235	
28	Consol Konsol; Konsole; Console	1	185713	
29	Axle Axel; Achse; Axe	1	185724	
30	Link Länk; Gelenk; Bras	2	185698	
31	Nut Mutter; Mutter; Ecrou	3	21094	
32	Arm Arm; Arm; Bras	2	185728	
33	Locking pin Spännstift; Spannstift; Goupille	2	20049	
34	Nut Mutter; Mutter; Ecrou	4	25699	
35	Washer Bricka; Scheibe; Rondelle	8	21035	
36	Stud Stöd; Stütz; Appui	2	185925	
37	Screw Skruv; Schraube; Vis	4	27872	
38	Potentiometer Potentiometer; Potentiometer; Potentiometre	2	156276	
39	Axle Axel; Achse; Axe	2	185723	
40	Screw Skruv; Schraube; Vis	4	28511	
41	Pedal(Complete) Pedal(Komplett); Pedal(Komplett); Pédale(Complet)	1	186097	
42	Consol Konsol; Konsole; Console	1	186096	

0820-010



0820-010 Finger / toe guards

[1996-12-20]

Finger/fot/klämmskydd; Finger / Fuss / klemm-schutz; Protection de doigts

			405 RR B5-B6	301518 -
Pos	Description	Pcs	Part No	Note
11	Finger cover Fingerskydd; Fingerschutz; Protège main	1	145274	
13	Screw Skruv; Schraube; Vis	3	20351	
14	Washer Bricka; Scheibe; Rondelle	3	42993	
15	Nut Mutter; Mutter; Ecrou	3	28930	

1710-007 Pump motor

[1999-02-09]

Pumpmotor; Pumpenmotor; Moteur de pompe

			405 RR B5-B6 411 RR E5-E6	336097 - 336097 -
Pos	Description	Pcs	Part No	Note
01	Motor(Complete) Motor(Komplett); Motor(Komplett); Moteur(Complet)	1	170433-150	
11	Screw Skruv; Schraube; Vis	3	20050	
12	Protection Skydd; Schutz; Protègee	1	170432	
13	Shield Sköld; Schild; Bouclier	1	170425	
14	Screw Skruv; Schraube; Vis	4	160913-305	
15	Washer Bricka; Scheibe; Rondelle	1	170566	
16	Ball bearing Kullager; Kugellager; Roulement a billes	1	160918	
17	Stator Stator; Ständer; Stator	1	160916-150	
18	Contact housing Kontaktus; Kontaktvorrichtung; Engrenage de mise en action	1	159221-002	
19	Plug Stift; Stift; Fiche	2	159223-002	
20	Sealing Tätning; Dichtung; Joint	2	159224-002	
21	Bracket Fäste; Halterung; Support	1	170383	
22	Bracket Fäste; Halterung; Support	1	170430	
23	Rotor Rotor; Rotor; Rotor	1	170427	
24	Cap Lock; Deckel; Couvercle	1	170429	
25	Bearing Lager; Lager; Roulement	1	28887	
26	Stay ring Stödring; Stutzring; Anneau de support	1	161035	
27	Locking ring Spärring; Schliessring; Circlip	3	20008	
28	Shield Sköld; Schild; Bouclier	1	170426	
29	Sealing Tätning; Dichtung; Joint	1	161658	
30	Nut Mutter; Mutter; Ecrou	4	20433	
31	Screw Skruv; Schraube; Vis	3	170435	
32	Washer Bricka; Scheibe; Rondelle	3	20375	
33	Nut Mutter; Mutter; Ecrou	3	20081	
34	Washer Bricka; Scheibe; Rondelle	3	22528	
35	Terminal board Uttagsplint; Klemmbrett; Borne	1	170373	
36	Screw Skruv; Schraube; Vis	2	161038	
37	Sensor(Temperature) Givare(Temperatur); Geber(Temperatur); Capteur(Température)	1	170384	

2550-025 Mechanical drive gear units

[1999-03-17]

Drivaggregat/-växel; Antriebsaggregat / Getriebe; Groupe de traction

Pos	Description	Pcs	Part No	Note
			405 RR B5-B6 411 RR E5-E6	336097 - 336097 -
01	Driving gear compl. Drivväxel kompl.; Antriebsatz kompl.; Groupe de entraînement compl.	1	171464	
11	Screw Skruv; Schraube; Vis	2	26327	
12	Washer Bricka; Scheibe; Rondelle	1	27213	
13	Screw Skruv; Schraube; Vis	1	27212	
14	Screw Skruv; Schraube; Vis	6	20078	
16	Screw Skruv; Schraube; Vis	8	23932	
17	Screw Skruv; Schraube; Vis	2	28344	
18	Gear wheel Kuggjul; Zahnrad; Roue dentée	1	150898	
19	Spare part kit : Bevel gear Reservdelssats : Koniskt kuggjul; Satz : Kegelrad; Jeux : Roue conique à denture droite	1	150869	
20	Protection Skydd; Schutz; Protègege	1	150880	
21	Screw Skruv; Schraube; Vis	7	150881	
22	Axle Axel; Achse; Axe	1	150868	
23	Sealing Tätning; Dichtung; Joint	1	29888	
24	Shim(0,05 mm) Shims; Schim; Cale		150885-001	
24	Shim(0,1mm) Shims; Schim; Cale		150885-002	
24	Shim(0,2 mm) Shims; Schim; Cale		150885-003	
24	Shim(0,3 mm) Shims; Schim; Cale		150885-004	
24	Shim(0,5 mm) Shims; Schim; Cale		150885-005	
25	Roller bearing Rullager; Rollenlager; Palier à rouleaux	1	29864	
26	Shim(0,05 mm) Shims; Schim; Cale		150884-001	
26	Shim(0,1mm) Shims; Schim; Cale		150884-002	
26	Shim(0,2 mm) Shims; Schim; Cale		150884-003	
26	Shim(0,3 mm) Shims; Schim; Cale		150884-004	
26	Shim(0,5 mm) Shims; Schim; Cale		150884-005	
27	Roller bearing Rullager; Rollenlager; Palier à rouleaux	1	29865	
28	O-ring O-ring; O-ring; Joint torique	1	29886	
29	Washer Bricka; Scheibe; Rondelle	1	150900	
30	Nut Mutter; Mutter; Ecrou	1	139714	
31	Cap Lock; Deckel; Couvercle	1	150875	
32	Roller bearing Rullager; Rollenlager; Palier à rouleaux	1	20624	

4310-002 Electric steering wheel/lever

[1999-02-23]

Elektr. ratt/-spakstyrning; Elektro-lenkrad/-hebellenkung; Timon, volant, levier de direction

Pos	Description	Pcs	Part No	Note
			405 RR B5-B6 411 RR E5-E6	336097 - 336097 -
11	Panel Panel; Paneel; Panneau	1	143228	
12	Panel Panel; Paneel; Panneau	1	143229	
13	Screw Skruv; Schraube; Vis	1	28334	
14	Washer Bricka; Scheibe; Rondelle	1	21394	
15	Nut Mutter; Mutter; Ecrou	1	20096	
16	Washer Bricka; Scheibe; Rondelle	1	135459	
17	Nut Mutter; Mutter; Ecrou	1	20016	
18	Washer Bricka; Scheibe; Rondelle	1	20404	
19	Spinner Spinnare; Lenkfleier; Poignée volant	1	141840	
20	Steering wheel(D = 110 mm) Ratt; Lenkrad; Volant	1	135457	Standard design Standardutförande; Normalausrüstung
20	Steering wheel(D = 200 mm) Ratt; Lenkrad; Volant	1	143285	
21	Locking ring Spärring; Schliessring; Circlip	1	20009	
22	O-ring O-ring; O-ring; Joint torique	1	20620	Cold stores Fryshus; Gefrieranlage; Chambre frigorifique
23	Ball bearing Kullager; Kugellager; Roulement a billes	1	28300	
23	Ball bearing Kullager; Kugellager; Roulement a billes	1	29878	
24	Bearing bracket Lagerhållare; Lagerhalten; Support de roulement	1	135461	
25	Locking ring Spärring; Schliessring; Circlip	1	20008	
26	Screw Skruv; Schraube; Vis	4	29815	
27	Motor Motor; Motor; Moteur	1	145287	
28	Screw Skruv; Schraube; Vis	1	29679	
29	Washer Bricka; Scheibe; Rondelle	1	20404	
30	Lever Spak; Hebel; Levier	1	142422-008	
31	Consol Konsol; Konsole; Console	1	147319	
32	Arm Arm; Arm; Bras	1	142410	
33	Lever Spak; Hebel; Levier	1	140808-002	Cabin tilt ERGO - REX Hytttilt ERGO - REX; Umklappbar Kabinen ERGO - REX; Cabine oscillant ERGO - REX
34	Bracket Fäste; Halterung; Support	1	143221	
34	Bracket Fäste; Halterung; Support	1	148941	
35	Bush Bussning; Bague; Bague	2	138886	
36	Locking ring Spärring; Schliessring; Circlip	1	20041	

5280-017 Indication lamps

[1998-01-21]

Nivå-/läges/mätare/lampa; Niveau- / positions- / geber / lampe; Lampes d'indication

Altimetry; Höjdindikering; Höhenmessung; Altimètre			405 RR B5-B6 411 RR E5-E6	301518 - 301518 -
Pos	Description	Pcs	Part No	Note
11	Altimeter(Complete) Höjdmätare(Komplett); Altimeter(Komplett); Altimètre(Complet)	1	155776	
12	Bracket Fäste; Halterung; Support	1	155674	
13	Cap Lock; Deckel; Couvercle	1	152469	
14	Roller Rulle; Rolle; Roleau	1	152467	
15	Housing Lagerhus; Gehäuse; Carter de roulement	1	155762	
16	Bearing Lager; Lager; Roulement	1	160436-001	
17	Screw Skruv; Schraube; Vis	3	20871	
18	Nut Mutter; Mutter; Ecrou	3	20433	
19	Cable lock Wirelås; Seilenschloss; Blocage de tige	2	143384	
21	Bracket Fäste; Halterung; Support	1	151047	L = 70 mm
21	Bracket Fäste; Halterung; Support	1	151936	L = 56 mm
22	Screw Skruv; Schraube; Vis	2	20230	
24	Nut Mutter; Mutter; Ecrou	2	20235	
25	Screw(Loop) Skruv(Ögla); Schraube(Öhr); Vis(Boucle)	1	137720	
26	Bracket Fäste; Halterung; Support	1	137648	
27	Screw Skruv; Schraube; Vis	4	20078	
28	Washer Bricka; Scheibe; Rondelle	4	20404	
29	Plate Plåt; Platte; Plaque	1	138163	
30	Screw Skruv; Schraube; Vis	2	28341	
31	Nut Mutter; Mutter; Ecrou	2	20257	
32	Switch Brytare; Schalter; Rupteur	1	138127	
33	Fitting Förskruvning; Verschraubung; Presse-étoupe	1	27659	
36	Wire(Meter) Wire(Meter); Drahtseil(Meter); Filament(Metre)		137718-002	
37	Switch Brytare; Schalter; Rupteur	1	132572	
38	Sign Skylt; Schild; Vignette	1	133414-015	
39	Indicator(Lift height) Indikator(Lyfthöjd); Ansager(Hubhöhe); Indicateur(De élévation)	1	144789-002	
40	Indicator(Lift height) Indikator(Lyfthöjd); Ansager(Hubhöhe); Indicateur(De élévation)	1	144790-003	
41	Nut Mutter; Mutter; Ecrou	2	20255	
42	Washer Bricka; Scheibe; Rondelle	2	22417	
43	Locking ring Spårring; Schliessring; Circlip	1	20019	

CLICK HERE TO **DOWNLOAD** THE COMPLETE MANUAL

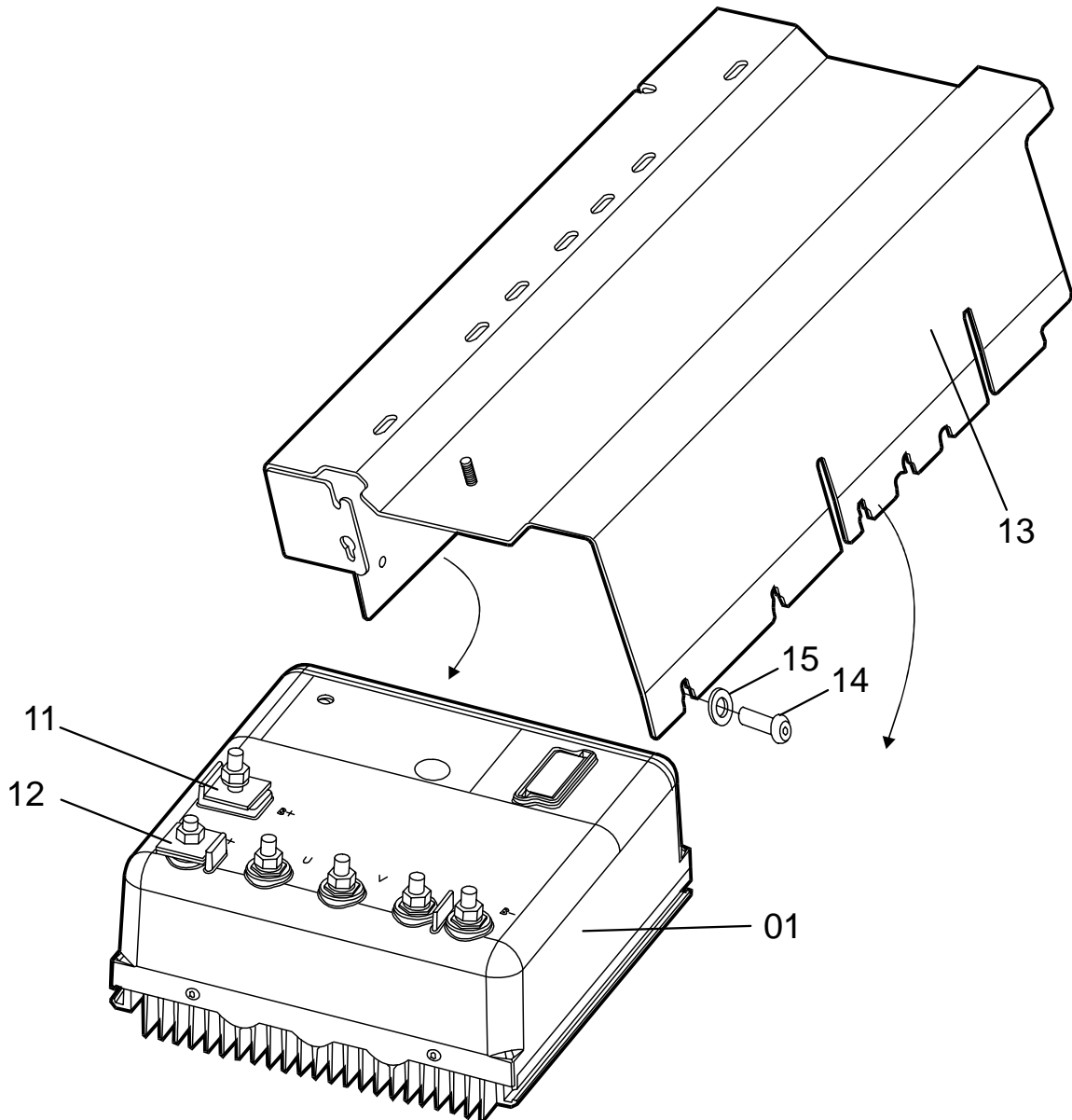
- Thank you very much for reading the preview of the manual.
- You can download the complete manual from: www.heydownloads.com by clicking the link below



- Please note: If there is no response to CLICKING the link, please download this PDF first and then click on it.

CLICK HERE TO **DOWNLOAD** THE COMPLETE MANUAL

5460-021

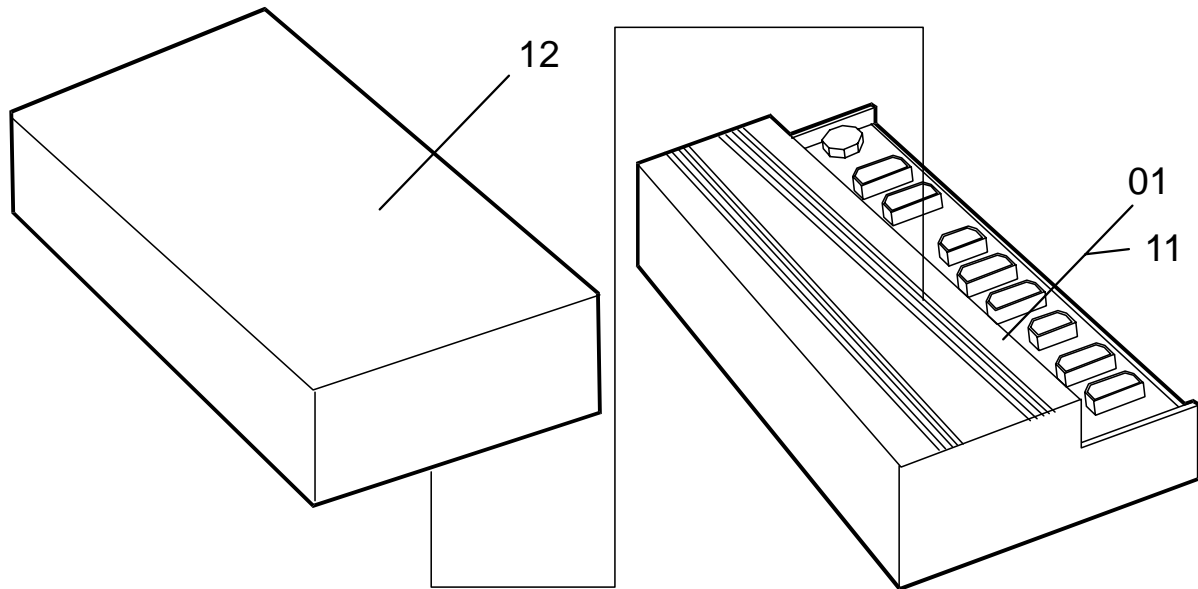
**5460-021 Transistor panel**

Kraftelektronik transistor; Transistor paneel; Panneau transistor

[1999-03-09]

Pos	Description	Pcs	Part No	Note
01	Transistor controller Transistorregulator; Transistorregulator; Regulateur des transistors	2	161631-005	
11	Washer Bricka; Scheibe; Rondelle	2	163663	
12	Washer Bricka; Scheibe; Rondelle	4	163664	
13	Protection Skydd; Schutz; Protègee	1	164863	
14	Screw Skruv; Schraube; Vis	2	28545	
15	Washer Bricka; Scheibe; Rondelle	2	20375	

5710-034

**5710-034 Logic card / box /combination**

[1999-03-18]

Elektronikkort åkning/kombination; Steuerkarte (Fahren) /kombination; Boite / carte de logique /combination

Pos	Description	Pcs	Part No	Note
			405 RR B5-B6 411 RR E5-E6	336097 - 336097 -
01	Logic box(Complete) Logikbox(Komplett); Steuerbox(Komplett); Boite de lougique(Complect)	1	170600-101	
11	Logic box(Without program software) Logikbox(Utan programvara); Steuerbox(Ohne programmierung); Boite de lougique(Sans programme)	1	169937-001	Without program software Utan programvara; Ohne programmierung; Sans programme
12	House Kåpa; Haus; Chape	1	161140	Cold stores Fryshus; Gefrieranlage; Chambre frigorifique

6120-100 Hydraulic tank lines

[1997-09-25]

Tankhydraulledning; Hydrauliktankleitung; Tuyaux réservoir hydraulique

<i>Cold stores; Fryshus; Gefrieranlage; Chambre frigorifique</i>			405 RR B5-B6 411 RR E5-E6	301518 - 301518 -
Pos	Description	Pcs	Part No	Note
11	Connection Koppling; Kupplung; Raccord	1	127927-008	
12	Connection Koppling; Kupplung; Raccord	2	139788-018	
13	Clamp Klamma; Rohrschelle; Collier	2	20453	
14	Bracket Fäste; Halterung; Support	1	153813	
15	Screw Skruv; Schraube; Vis	2	29592	Cabin tilt ERGO - REX Hytttilt ERGO - REX; Umklappbar Kab- inen ERGO - REX; Cabine oscillant ERGO - REX
16	Washer Bricka; Scheibe; Rondelle	2	21275	Cabin tilt ERGO - REX Hytttilt ERGO - REX; Umklappbar Kab- inen ERGO - REX; Cabine oscillant ERGO - REX
17	Nut Mutter; Mutter; Ecrou	2	20081	Cabin tilt ERGO - REX Hytttilt ERGO - REX; Umklappbar Kab- inen ERGO - REX; Cabine oscillant ERGO - REX
18	Hose(Meter) Slang(Meter); Schlauch(Meter); Tuyau flexible(Metre)		28108	
19	Connection Koppling; Kupplung; Raccord	1	127927-008	Cabin tilt ERGO - REX Hytttilt ERGO - REX; Umklappbar Kab- inen ERGO - REX; Cabine oscillant ERGO - REX
20	Connection Koppling; Kupplung; Raccord	1	139788-018	
21	Connection Koppling; Kupplung; Raccord	1	157187	
22	Filter Filter; Filter; Filtre	1	157186	
23	Conversion kit Ombyggn. sats; Umbausatz; Kit reducteur	1	157188	
24	Screw Skruv; Schraube; Vis	1	21816	
25	Washer Bricka; Scheibe; Rondelle	1	22547	

6320-011 Mast mounted hoses and pipes

[1999-03-02]

Stativmonterade hydraulledningar; Schläuche und Rohre hingen in den Mast ein; Tuyaux, tube monté dans le mât

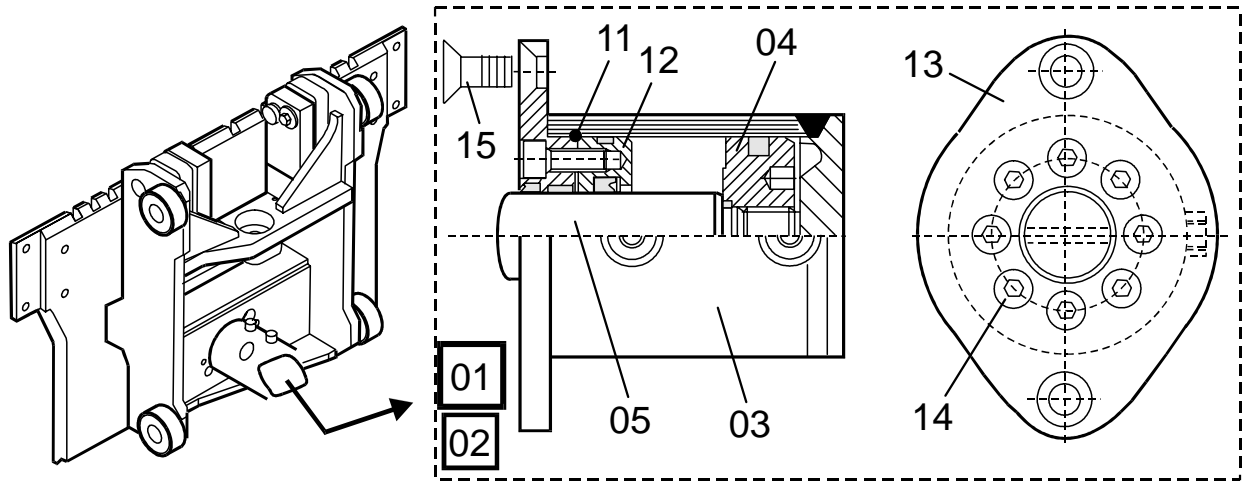
2 Extra functions 2 hose reels; 2 Extra funktion 2 slangvindor; 2 Extra funktion 2 Schlauchrollen; 2 Extrafunktion 2 roleau de tuyau			405 RR B5-B6 411 RR E5-E6	336097 - 336097 -
Pos	Description	Pcs	Part No	Note
11	Hose Slang; Schlauch; Tuyau flexible	1	143709-001	
12	Hose Slang; Schlauch; Tuyau flexible	1	143708-001	
13	Hose Slang; Schlauch; Tuyau flexible	1	146875-001	Lift height <= 5400 mm Lyfthöjd <= 5400 mm; Hubhöhe <= 5400 mm; De élévation <= 5400 mm
13	Hose Slang; Schlauch; Tuyau flexible	1	146875-002	5400 mm < lift height <= 6300 mm 5400 mm < lyfthöjd <= 6300 mm; 5400 mm < Hubhöhe <= 6300 mm; 5400 mm < de élévation <= 6300 mm
13	Hose Slang; Schlauch; Tuyau flexible	1	146875-003	6300 mm < lift height <= 8000 mm 6300 mm < lyfthöjd <= 8000 mm; 6300 mm < Hubhöhe <= 8000 mm; 6300 mm < de élévation <= 8000 mm
13	Hose Slang; Schlauch; Tuyau flexible	1	146875-004	Lift height, over 8000 mm Lyfthöjd, över 8000 mm; Hubhöhe, över 8000 mm; De élévation, dessus 8000 mm
14	Hose Slang; Schlauch; Tuyau flexible	1	146876-001	Lift height <= 5400 mm Lyfthöjd <= 5400 mm; Hubhöhe <= 5400 mm; De élévation <= 5400 mm
14	Hose(L = 2700 mm) Slang; Schlauch; Tuyau flexible	1	146876-002	5400 mm < lift height <= 6300 mm 5400 mm < lyfthöjd <= 6300 mm; 5400 mm < Hubhöhe <= 6300 mm; 5400 mm < de élévation <= 6300 mm
14	Hose Slang; Schlauch; Tuyau flexible	1	146876-004	6300 mm < lift height <= 8000 mm 6300 mm < lyfthöjd <= 8000 mm; 6300 mm < Hubhöhe <= 8000 mm; 6300 mm < de élévation <= 8000 mm
14	Hose(L = 3700 mm) Slang; Schlauch; Tuyau flexible	1	146876-005	Lift height, over 8000 mm Lyfthöjd, över 8000 mm; Hubhöhe, över 8000 mm; De élévation, dessus 8000 mm
15	Hose Slang; Schlauch; Tuyau flexible	2	146863-001	Lift height <= 5400 mm Lyfthöjd <= 5400 mm; Hubhöhe <= 5400 mm; De élévation <= 5400 mm
15	Hose Slang; Schlauch; Tuyau flexible	2	146863-002	5400 mm < lift height <= 6300 mm 5400 mm < lyfthöjd <= 6300 mm; 5400 mm < Hubhöhe <= 6300 mm; 5400 mm < de élévation <= 6300 mm
15	Hose Slang; Schlauch; Tuyau flexible	2	146863-003	6300 mm < lift height <= 8000 mm 6300 mm < lyfthöjd <= 8000 mm; 6300 mm < Hubhöhe <= 8000 mm; 6300 mm < de élévation <= 8000 mm
15	Hose Slang; Schlauch; Tuyau flexible	2	146863-004	Lift height, over 8000 mm Lyfthöjd, över 8000 mm; Hubhöhe, över 8000 mm; De élévation, dessus 8000 mm
16	Clamp Klamma; Rohrschelle; Collier	1	145025	
17	Bracket Fäste; Halterung; Support	1	105423	
18	Screw Skruv; Schraube; Vis	2	21935	
19	Washer Bricka; Scheibe; Rondelle	1	21275	
20	Axle Axel; Achse; Axe	1	32975	

Quality Parts

6320-017

Pos	Description	Pcs	Part No	Note
20	Pipe Rör; Rohr; Tube	1	166277	
21	Pipe Rör; Rohr; Tube	1	166278	
23	Connection Koppling; Kupplung; Raccord	2	27491	

6660-003



6660-003 Tilt cylinders

Tiltcylinder; tiltzylinder; verin d'inclinaison

[1999-03-02]

Without side shift; utan sidsiftaggregat; Ohne Seitenwechselgerät; Sans déplacement latéral			405 RR B5-B6 411 RR E5-E6	336097 - 336097 -
Pos	Description	Pcs	Part No	Note
01	Tilting cylinder(Complete) Tiltcylinder(Komplett); Neigezylinder(Komplett); Verin de inclination(Complett)	1	155605	
02	Packing set Packningssats; Packungssatz; Jeux d'étanchéité.	1	154465	
03	Cylinder pipe Cylinderrör; Zylinderrohr; Tube de cylindre	1	154894	
04	Piston Kolv; Kolben; Piston	1	154893	
05	Piston rod Kolvstång; Kolbenstange; Tige de piston	1	157304	
11	Locking wire Låstråd; Schlossdraht; Cheville	1	154897	
12	Top guide Toppstyrning; Topsteuerung; Guide de sommet	1	154895	
13	Cap Lock; Deckel; Couvercle	1	154896	
14	Screw Skruv; Schraube; Vis	8	29939	
15	Screw Skruv; Schraube; Vis	2	20401	

Quality Parts

7120-064

Pos	Description	Pcs	Part No	Note
66	Washer Bricka; Scheibe; Rondelle	2	21431	
67	Nut Mutter; Mutter; Ecrou	4	20006	
68	Nut Mutter; Mutter; Ecrou	4	20528	
69	Chain wheel(Complete) Kedjehjul(Komplett); Kettenrad(Komplett); Roue de chaine(Complett)	2	158153	
70	Roller Rulle; Rolle; Roleau	2	158154	
71	Sealing ring Tätningring; Dichtungsring; Bague d'étanchéité	4	20902	
72	Bearing Lager; Lager; Roulement	2	26939	
73	Locking ring Spårring; Schliessring; Circlip	2	20076	
74	Distance piece Distans; Distanz; Distance	2	101341	
75	Axle Axel; Achse; Axe	2	137853	
77	Screw Skruv; Schraube; Vis	2	23006	
78	Washer Bricka; Scheibe; Rondelle	2	21307	
82	Distance piece Distans; Distanz; Distance	2	101237	

Quality Parts

7410-025

Pos	Description	Pcs	Part No	Note
11	Fork(L = 1600 mm) Gaffel; Gabel; Fourche	2	170265-160	
11	Fork(L = 1650 mm) Gaffel; Gabel; Fourche	2	170265-165	
11	Fork(L = 1700 mm) Gaffel; Gabel; Fourche	2	170265-170	
11	Fork(L = 1750 mm) Gaffel; Gabel; Fourche	2	170265-175	
12	Clamp Klamma; Rohrschelle; Collier	2	24398	
13	Locking pin Spännstift; Spannstift; Goupille	2	20001	
14	Washer Bricka; Scheibe; Rondelle	2	24497	
15	Spring Fjäder; Feder; Ressort	2	24400	
16	Catch Spärr; Sperre; Arret	2	24399	
17	Catch complete(Kit) Spärr komplett(Sats); Sperre Komplet(satz); Arret complete(Jeux)	2	24545	

9420-002 Truck log device, code locking device

[1999-02-23]

Truck logg utrustning, kodlås; Truck Log System, Codesperre; Système Optigest, verrouillage (blocage) code

TLS; TLS; TLS; TLS		405 RR B5-B6 411 RR E5-E6	336097 - 336097 -	
Pos	Description	Pcs	Part No	Note
11	TLS(Standard design) TLS(Standardutförande); TLS(Normalausrüstung)	1	162108	Kit = A + B + E Sats = A + B + E; Satz = A + B + E; Jeux = A + B + E
12	TLS(TLS + Sensor without larm) TLS(TLS + Sensor utan larm); TLS(TLS + Fühler ohne lärm); TLS(TLS + Émetteur sans alarme)	1	162109	Kit = A + B + D + F + G Sats = A + B + D + F + G; Satz = A + B + D + F + G; Jeux = A + B + D + F + G
13	TLS(TLS + Sensor with larm) TLS(TLS + Sensor med larm); TLS(TLS + Fühler mit lärm); TLS(TLS + Émetteur avec alarme)	1	162110	Kit = A + B + C + D + F + G Sats = A + B + C + D + F + G; Satz = A + B + C + D + F + G; Jeux = A + B + C + D + F + G
15	Wiring harness Kablage; Kabelsatz; Câblage	1	154762-300	
16	Bracket Fäste; Halterung; Support	1	155439	
17	Logic box Logikbox; Steuerbox; Boite de lougique	1	154825	
18	Consol Konsol; Konsole; Console	1	155438	
19	Screw Skruv; Schraube; Vis	4	29969	
20	Screw Skruv; Schraube; Vis	4	29968	
21	Screw Skruv; Schraube; Vis	4	29970	
22	Washer Bricka; Scheibe; Rondelle	4	21317	
23	Nut Mutter; Mutter; Ecrou	4	20257	
24	Keypad Tangentbord; Tastatur; Tablette à clefs	1	154828	
25	Buzzer Summer; Summer; Ronfleur	1	23634	
26	Relay Relä; Relais; Relais	1	155010-048	
27	Relay socket Reläsocket; Relais Fassung; Support de relais	1	146763	
28	Screw Skruv; Schraube; Vis	1	29967	
29	Washer Bricka; Scheibe; Rondelle	1	21317	
30	Nut Mutter; Mutter; Ecrou	1	20257	
31	Relay Relä; Relais; Relais	1	155009	
32	Screw Skruv; Schraube; Vis	2	29968	
33	Washer Bricka; Scheibe; Rondelle	2	21307	
34	Nut Mutter; Mutter; Ecrou	2	20235	
35	Plate Plåt; Platte; Plaque	1	155676	
36	Clamp Klamma; Rohrschelle; Collier	2	20942	
37	Wiring harness Kablage; Kabelsatz; Câblage	1	161960	Standard design Standardutförande; Normalausrüstung
38	Wiring harness Kablage; Kabelsatz; Câblage	1	161940	
39	Wiring harness(+ Sensor) Kablage(+ Sensor); Kabelsatz(+ Fühler); Câblage(+ Émetteur)	1	155011-350	

CLICK HERE TO **DOWNLOAD** THE COMPLETE MANUAL

- Thank you very much for reading the preview of the manual.
- You can download the complete manual from: www.heydownloads.com by clicking the link below



- Please note: If there is no response to CLICKING the link, please download this PDF first and then click on it.

CLICK HERE TO **DOWNLOAD** THE COMPLETE MANUAL