



Quality Parts

RR B5 / B6 / E5 / E6 / (C) / 14 (DC)

Valid for machine number..... 293892AA-301925AA

Only valid for machine number.....

Ordering number 156650

Date 1996-12-13 / ITS / ESIF

Language..... GB; SE; DE; FR

CLICK HERE TO **DOWNLOAD** THE COMPLETE MANUAL

- Thank you very much for reading the preview of the manual.
- You can download the complete manual from: www.heydownloads.com by clicking the link below



- Please note: If there is no response to CLICKING the link, please download this PDF first and then click on it.

CLICK HERE TO **DOWNLOAD** THE COMPLETE MANUAL

- 6220-003 Control valve (extra hydr.attachm.)**
Rikttningsventil tillsatsutrustning; Richtungsventil zusatsausrüstung; Valve manuelle
- 6220-004 Control valve (extra hydr.attachm.)** **2 Extra functions 2 hose reels**
Rikttningsventil tillsatsutrustning; Richtungsventil zusatsausrüstung; Valve manuelle
- 6270-003 Hose, reel** **Lift height < = 7000 mm**
Slangvinda, vippstycke; Schlauchtrommel, Schwenkkupplung; Enrouleur, joint tournant
- 6270-004 Hose, reel** **Lift height = 7500 mm - 9000 mm**
Slangvinda, vippstycke; Schlauchtrommel, Schwenkkupplung; Enrouleur, joint tournant

7000 Operating funktion - lifting mast/cylinder

Arbetsfunktion - lyftstativ/cylindrar; Arbeitsfunktion - Hubgerüst / zylinder; Fonction de travail - mat / cylindre

- 7120-027 Chains / yokes / rollers**
Kedja/kedjeok/rullar; Kette / Kettenjoch / Rollen; Chaines / poulies
- 7130-012 Main mast fork carriage**
Huvudstativokvagn; Gabel-/Aggregatträger Haupthubergüst; Tablier porte-fourches mât principal
- 7150-001 Mast guidance / dampers**
Stativstyrning / dämpning; Stativführung / Dämpfer; Guidage de mat
- 7150-006 Mast guidance / dampers**
Stativstyrning / dämpning; Stativführung / Dämpfer; Guidage de mat
- 7190-005 Mast carriage, mast fixation points**
Stativinfästning; Mastbefestigung / Wagen; Chariot porte-mat / point fixation mat
- 7310-031 Lift cylinders**
Lyftcylinder; Hubzylinder; Verin de levage
- 7320-004 Tilt cylinders** **Tilt cylinder - Cabin ERGO-REX**
Tiltcylinder; Neigezylinder; Vérin d'inclinaison
- 7320-006 Tilt cylinders** **With side shift**
Tiltcylinder; Neigezylinder; Vérin d'inclinaison
- 7330-002 Reach cylinders**
Utskjuts-/initiallyftcylinder; Teleskopzylinder Schubzylinder; Verin de retraction
- 7340-012 Free initial lift cylinder**
Fri-/initiallyftcylinder; Zylinder Frei- / initialhub; Verins de levage initial et libre
- 7390-004 Powertrak cylinder** **Sideshift**
Powertrak cylinder; Powertrak Zylinder; Vérin TGP (Traction Grande Puissance)
- 7410-002 Fork, carpet boom, lift hook**
Lyftgaffel/-pik/-krok; Hubgabel/-dorn/-haken; Fourche, éperon, crochet de levage

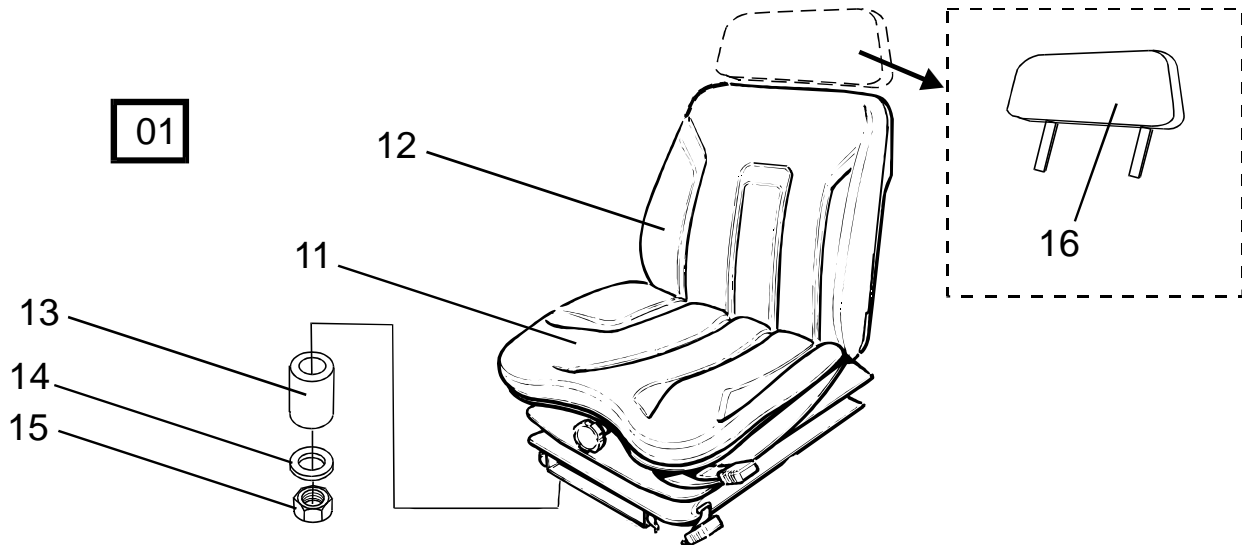
0390-012 Battery compartment parts

[1997-05-14]

Batteriutrymmesdelar; Batterieraumteile; Pièce de compartiment batterie

Cabin tilt ERGO - REX; Hyttilt ERGO - REX; Umklappbar Kabinen ERGO - REX; Cabine oscillant ERGO - REX		306 RR E4-E6		265200 - 326472	
Pos	Description	Pcs	Part No	Note	
11	Key(L = 263 mm, M = 39 mm) Kil; Keil; Clavette	1	141242-010		
11	Key(L = 411 mm, M = 39 mm) Kil; Keil; Clavette	1	141242-030		
11	Key(L = 263 mm, M = 47 mm) Kil; Keil; Clavette	1	147969-010		
11	Key(L = 411 mm, M = 47 mm) Kil; Keil; Clavette	1	147969-030		
12	Key(L = 263 mm, M = 39 mm) Kil; Keil; Clavette	1	141243-010		
12	Key(L = 411 mm, M = 39 mm) Kil; Keil; Clavette	1	141243-030		
12	Key(L = 263 mm, M = 47 mm) Kil; Keil; Clavette	1	147970-010		
12	Key(L = 411 mm, M = 47 mm) Kil; Keil; Clavette	1	147970-030		
13	Axle Axel; Achse; Axe	2	105393		
14	Screw Skruv; Schraube; Vis	2	20259		
15	Protection(N = 40 mm) Skydd; Schutz; Protègee	1	146361-010		
15	Protection(N = 115 mm) Skydd; Schutz; Protègee	1	146361-030		
15	Protection(N = 187 mm) Skydd; Schutz; Protègee	1	146361-050		
16	Protection Skydd; Schutz; Protègee	1	146032		
17	Screw Skruv; Schraube; Vis	6	22229		
18	Washer Bricka; Scheibe; Rondelle	6	20375		
19	Pedal Pedal; Pedal; Pédale	1	145203		
20	Plate Plåt; Platte; Plaque	1	144840		
21	Spring(Stainless Steel) Fjäder(Rostfri); Feder(Nichtrostende); Ressort(Inoxydable)	1	109909	Cold stores Fryshus; Gefrieranlage; Chambre frigorifique	
21	Spring Fjäder; Feder; Ressort	1	53037		
22	Screw Skruv; Schraube; Vis	1	28344		
23	Nut Mutter; Mutter; Ecrou	1	20045		
24	Spring Fjäder; Feder; Ressort	1	29659		
25	Screw Skruv; Schraube; Vis	3	29982		
26	Catch Spärr; Sperre; Arret	1	144415		
27	Bush Bussning; Bague; Bague	1	44110		
28	Screw(Stainless Steel) Skruv(Rostfri); Schraube(Nichtrostende); Vis(Inoxydable)	1	126733	Cold stores Fryshus; Gefrieranlage; Chambre frigorifique	
28	Screw Skruv; Schraube; Vis	1	65958		
29	Screw Skruv; Schraube; Vis	1	21503		

0620-003



0620-003 Seat, cushions

[1996-10-01]

Förarstol, dynor; Fahrersitz, Kissen; Siège, coussins de siège/dossier

Pos	Description	Pcs	Part No	Note
			303 RR B4-B6	265200 - 306400
01	Seat with spring system cpl. Stol fjädrande kpl.; Sitz mit Federung Kpl.; Siege avec suspension à ressort cpl.	1	144844	
01	Seat with spring system cpl.(Heated 48V / textile) Stol fjädrande kpl.(El-uppvärmd 48V / textil); Sitz mit Federung Kpl.(El, Erwärmung 48V / Textil); Siege avec suspension à ressort cpl.(Chauffage él, 48V / textile)	1	145280	
01	Seat with spring system cpl.(Heated 48V / PVC - coating) Stol fjädrande kpl.(El-uppvärmd 48V / galon); Sitz mit Federung Kpl.(El, Erwärmung 48V / Tresse); Siege avec suspension à ressort cpl.(Chauffage él, 48V / galon)	1	145281	
11	Seat cushion Sitt dyna; Sitzkissen; Siège	1	146522-001	
11	Seat cushion(Heated 48V / textile) Sitt dyna(El-uppvärmd 48V / textil); Sitzkissen(El, Erwärmung 48V / Textil); Siège(Chauffage él, 48V / textile)	1	146522-002	
11	Seat cushion(Heated 48V / PVC - coating) Sitt dyna(El-uppvärmd 48V / galon); Sitzkissen(El, Erwärmung 48V / Tresse); Siège(Chauffage él, 48V / galon)	1	146522-003	
12	Back rest Ryggdyna; Rückenlehne; Dossier	1	146523-001	
12	Back rest(Heated 48V / textile) Ryggdyna(El-uppvärmd 48V / textil); Rückenlehne(El, Erwärmung 48V / Textil); Dossier(Chauffage él, 48V / textile)	1	146523-002	
12	Back rest(Heated 48V / PVC - coating) Ryggdyna(El-uppvärmd 48V / galon); Rückenlehne(El, Erwärmung 48V / Tresse); Dossier(Chauffage él, 48V / galon)	1	146523-003	
13	Distance piece Distans; Distanz; Distance	4	146334	
14	Washer Bricka; Scheibe; Rondelle	4	20404	
15	Nut Mutter; Mutter; Ecrou	4	20016	
16	Backrest extension(Textile) Ryggstödsförlängning(Textil); Rückenlehene, verlängerung(Textil); Dossier, allongement(Textile)	1	150926-001	
16	Backrest extension(PVC - coating) Ryggstödsförlängning(Galon); Rückenlehene, verlängerung(Tresse); Dossier, allongement(Galon)	1	150926-002	

Quality Parts

0680-005

Pos	Description	Pcs	Part No	Note
20	Skidding protection Halkskydd; Rutschabdeckung; Dispositif antidérapant	1	143286	
21	Skidding protection Halkskydd; Rutschabdeckung; Dispositif antidérapant	1	143287	
22	Panel Panel; Paneel; Panneau	1	143296	
23	Panel Panel; Paneel; Panneau	1	143306	
24	Screw Skruv; Schraube; Vis	1	20938	
25	Nut Mutter; Mutter; Ecrou	1	127035-003	
26	Frame Ram; Rahmen; Cadre	2	133416	
27	Cap Lock; Deckel; Couvercle	2	132577	
28	Panel Panel; Paneel; Panneau	1	143309	
29	Panel Panel; Paneel; Panneau	1	145263	
30	Screw Skruv; Schraube; Vis	4	20938	
31	Nut Mutter; Mutter; Ecrou	4	127035-003	
32	Screw Skruv; Schraube; Vis	4	20938	
33	Nut Mutter; Mutter; Ecrou	4	127035-003	
34	Washer Bricka; Scheibe; Rondelle	4	29758	
35	Washer Bricka; Scheibe; Rondelle	1	29758	
36	Washer Bricka; Scheibe; Rondelle	4	29758	
37	Sleeve Hylsa; Hülse; Douille	2	148496	RR B4-B8

Quality Parts

0820-026

Pos	Description	Pcs	Part No	Note
21	Bracket Fäste; Halterung; Support	1	144411	
22	Plate Plåt; Platte; Plaque	1	144199	
23	Screw Skruv; Schraube; Vis	2	20154	
24	Washer Bricka; Scheibe; Rondelle	4	20375	
25	Nut Mutter; Mutter; Ecrou	2	20249	
26	Screw Skruv; Schraube; Vis	2	20154	
27	Washer Bricka; Scheibe; Rondelle	4	20375	
28	Nut Mutter; Mutter; Ecrou	2	20249	
29	Hinge Gångjärn; Chamier; Charnière	1	144309	
30	Screw Skruv; Schraube; Vis	2	21503	
31	Washer Bricka; Scheibe; Rondelle	4	20375	
32	Nut Mutter; Mutter; Ecrou	2	20249	
33	Screw Skruv; Schraube; Vis	2	20439	
34	Washer Bricka; Scheibe; Rondelle	2	20348	
35	Bracket Fäste; Halterung; Support	1	144335	
36	Nut Mutter; Mutter; Ecrou	1	20081	
37	Screw Skruv; Schraube; Vis	1	117919	
38	Gas suspension(800 Newton) Gasfjäder; Gasfederung; Suspension à gaz	1	122314-088	
39	Nut Mutter; Mutter; Ecrou	1	20081	
40	Plate Plåt; Platte; Plaque	1	147537	
41	Screw Skruv; Schraube; Vis	2	28511	
42	Screw Skruv; Schraube; Vis	1	20050	
43	Nut Mutter; Mutter; Ecrou	1	20081	
44	Washer Bricka; Scheibe; Rondelle	2	20404	
45	Finger cover Fingerskydd; Fingerschutz; Protège main	1	149781	
46	Screw Skruv; Schraube; Vis	3	21159	
47	Washer Bricka; Scheibe; Rondelle	3	20404	
48	Nut Mutter; Mutter; Ecrou	3	20016	
49	Screw Skruv; Schraube; Vis	4	29810	
50	Washer Bricka; Scheibe; Rondelle	2	20404	
51	Nut Mutter; Mutter; Ecrou	2	20016	
52	Nut Mutter; Mutter; Ecrou	2	20081	

Quality Parts

5280-003

Pos	Description	Pcs	Part No	Note
18	Nut Mutter; Mutter; Erou	2	20255	
19	Screw Skruv; Schraube; Vis	4	29744	
20	Nut Mutter; Mutter; Erou	4	28972	
21	Screw Skruv; Schraube; Vis	4	21134	
22	Nut Mutter; Mutter; Erou	4	20255	
23	List List; Leiste; Bande	2	142533	
24	Lamina Platta; Platten; Platine	2	142532	
25	Section Profil; Profil; Section	1	142529	
26	Nut Mutter; Mutter; Erou	2	20235	
27	Screw Skruv; Schraube; Vis	2	20021	
28	Clamp Klamma; Rohrschelle; Collier	2	142535	
29	Damper Dämpare; Dämpfer; Attenteur	2	142531	
30	Magnet Magnet; Magnet; Magnétique	2	145639	
31	Washer Bricka; Scheibe; Rondelle	4	21392	

CLICK HERE TO **DOWNLOAD** THE COMPLETE MANUAL

- Thank you very much for reading the preview of the manual.
- You can download the complete manual from: www.heydownloads.com by clicking the link below



- Please note: If there is no response to CLICKING the link, please download this PDF first and then click on it.

CLICK HERE TO **DOWNLOAD** THE COMPLETE MANUAL

Quality Parts

5330-002

Pos	Description	Pcs	Part No	Note
20	Conductor joint socket Hylsskarvdon; Leistungsverbinder hülse; Connexion socle	1	132659-005	
21	Consol Konsol; Konsole; Console	1	139388	
22	Washer Bricka; Scheibe; Rondelle	1	44471	
23	Screw Skruv; Schraube; Vis	2	21753	
24	Washer Bricka; Scheibe; Rondelle	2	21317	
25	Washer Bricka; Scheibe; Rondelle	2	21035	
26	Housing Kåpa; Haus; Chape	1	139401	

Quality Parts

5750-040

Pos	Description	Pcs	Part No	Note
14	Screw Skruv; Schraube; Vis	2	20259	
15	Washer Bricka; Scheibe; Rondelle	2	20375	
16	Damper Dämpare; Dämpfer; Attenteur	2	136060	
17	Nut Mutter; Mutter; Ecrou	4	28972	
18	Washer Bricka; Scheibe; Rondelle	4	22417	
19	Clamp Klamma; Rohrschelle; Collier	1	22461	

Quality Parts

6120-067

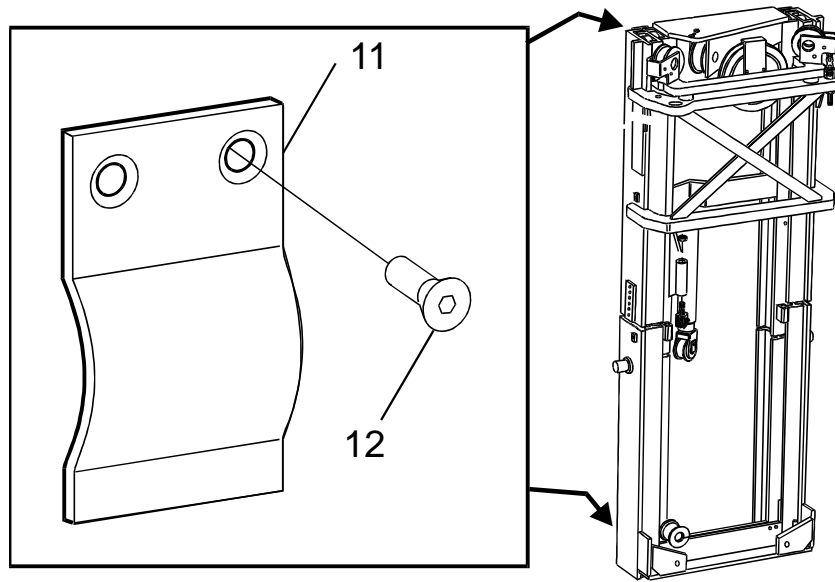
Pos	Description	Pcs	Part No	Note
19	Connection Koppling; Kupplung; Raccord	2	29663	
20	Pipe Rör; Rohr; Tube	1	151718	
21	Pipe Rör; Rohr; Tube	1	152663	
22	Connection Koppling; Kupplung; Raccord	2	29663	
23	Connection Koppling; Kupplung; Raccord	2	27491	

Quality Parts

6220-003

Pos	Description	Pcs	Part No	Note
21	Screw Skruv; Schraube; Vis	2	22635	
22	Screw Skruv; Schraube; Vis	2	20078	
23	Washer Bricka; Scheibe; Rondelle	2	21275	

7150-006



7150-006 Mast guidance / dampers

[1997-05-23]

Stativstyrning / dämpning; Stativführung / Dämpfer; Guidage de mat

Pos	Description	Pcs	Part No	Note
11	Plate Plåt; Platte; Plaque	4	101433	
12	Screw Skruv; Schraube; Vis	8	20188	

CLICK HERE TO **DOWNLOAD** THE COMPLETE MANUAL

- Thank you very much for reading the preview of the manual.
- You can download the complete manual from: www.heydownloads.com by clicking the link below



- Please note: If there is no response to CLICKING the link, please download this PDF first and then click on it.

CLICK HERE TO **DOWNLOAD** THE COMPLETE MANUAL