

Quality Parts

RR B2 / 15 (AC)

Valid for machine number..... XXXXX

Only valid for machine number.....

Ordering number 175124

Date 1999-10-20 / ESDF

Language..... GB; SE; DE; FR

CLICK HERE TO **DOWNLOAD** THE COMPLETE MANUAL

- Thank you very much for reading the preview of the manual.
- You can download the complete manual from: www.heydownloads.com by clicking the link below



- Please note: If there is no response to CLICKING the link, please download this PDF first and then click on it.

CLICK HERE TO **DOWNLOAD** THE COMPLETE MANUAL

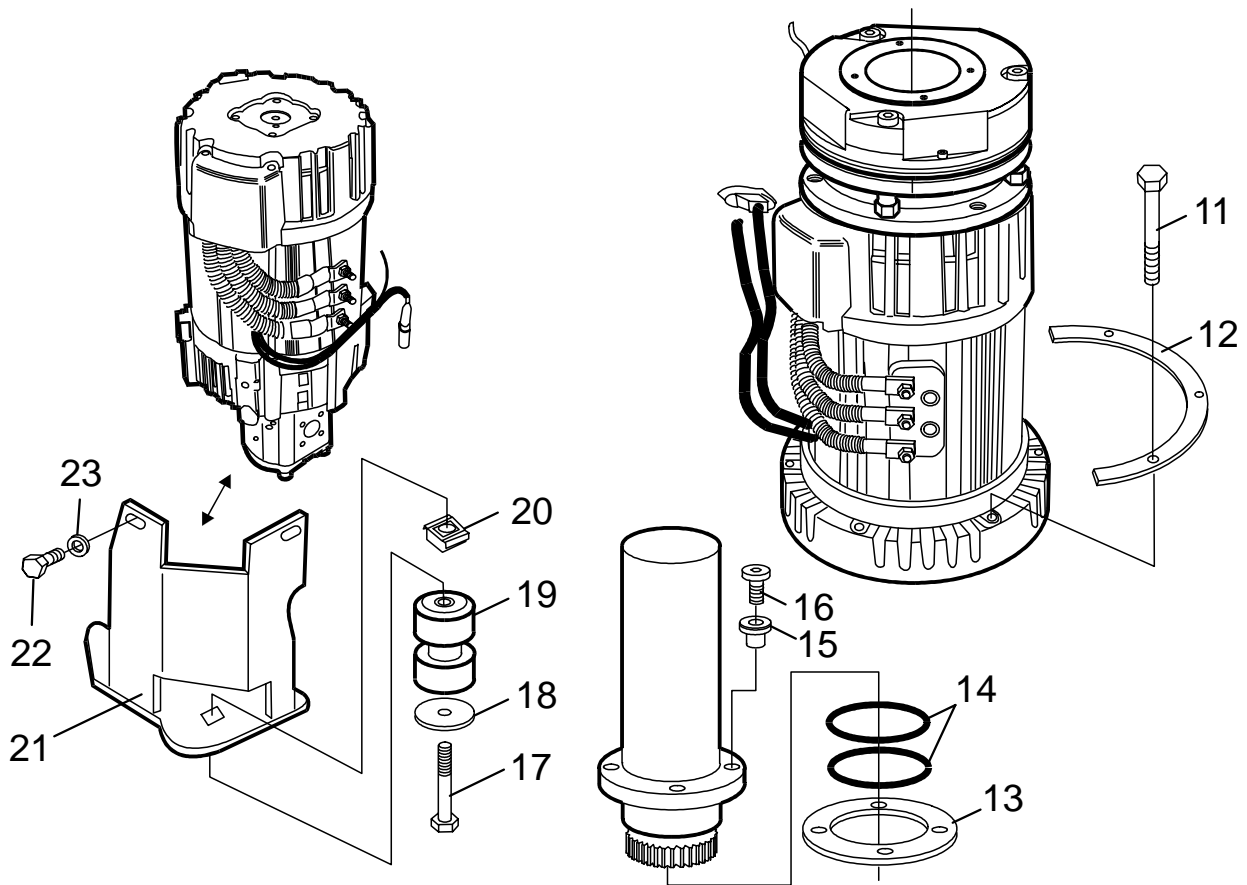
6370-005	Mast hose reel/ swivel joint Stativslangvinda/ vippstycke; Schlauchtrommel, Schwenkkupplung Hubeinrichtung; Enrouleur/ joint tournant mât	Lift height = 7500 mm - 9000 mm
6610-016	Main lift cylinders Huvudlyftcylindrar; Haupthubzylinder; Vérin de levage, principal	RR B2, B3, E2, E3, N2, N3
6620-007	Free lift cylinder Frilyftscylinder; Freihubzylinder; Vérin de levée libre	RR B2, B3, E2, E3, N2, N3
6650-001	Reach/telescopic cylinders Utskjut-/teleskopcylinder; Vorschub-/Teleskopzylinder; Vérin de rétraction/téléscopique	
6660-002	Tilt cylinders Tiltcylinder; Neigezylinder; Vérin d'inclinaison	With side shift
6660-003	Tilt cylinders Tiltcylinder; Neigezylinder; Vérin d'inclinaison	Without side shift
6670-002	Other hydraulic cylinders Övriga hydraulcylindrar; Übrige hydraul. Zylinder; Autres vérins hydrauliques	Sideshift

7000 Work function - lifting masts

Arbetsfunktion - lyftstativ; Arbeitsfunktion - Hubgerüste; Fonction de travail - mâts de levage

7100-013	Main mast Huvudstativ/-mast; Haupthubgerüst/-mast; Mât principal	RR B2, B3, E2, E3, N2, N3
7120-061	Main lift chain system Huvudlyftkedjesystem; Haupthubkettensystem; Système de chaîne de levage mât principal	Roller
7120-063	Main lift chain system Huvudlyftkedjesystem; Haupthubkettensystem; Système de chaîne de levage mât principal	RR B2, B3, E2, E3, N2, N3
7130-013	Main mast fork carriage Huvudstativokvagn; Gabel-/Aggregatträger Haupthubergüst; Tablier porte-fourches mât principal	RR B2, B3, E2, E3
7130-017	Main mast fork carriage Huvudstativokvagn; Gabel-/Aggregatträger Haupthubergüst; Tablier porte-fourches mât principal	RR B2, B3, E2, E3, N2, N3
7150-001	Main mast guidance/ dampers Huvudstativ-styrning/dämpning; Führungen/ Dämpfer Haupthubergüst; Guidage/amortissement mât principal	
7150-009	Main mast guidance/ dampers Huvudstativ-styrning/dämpning; Führungen/ Dämpfer Haupthubergüst; Guidage/amortissement mât principal	
7190-014	Main mast suspension Huvudstativinfästning; Befestigung Haupthubgerüst; Suspension mât principal	
7410-001	Fork, carpet boom, lift hook Lyftgaffel/-pik/-krok; Hubgabel/-dorn/-haken; Fourche, éperon, crochet de levage	

0450-028



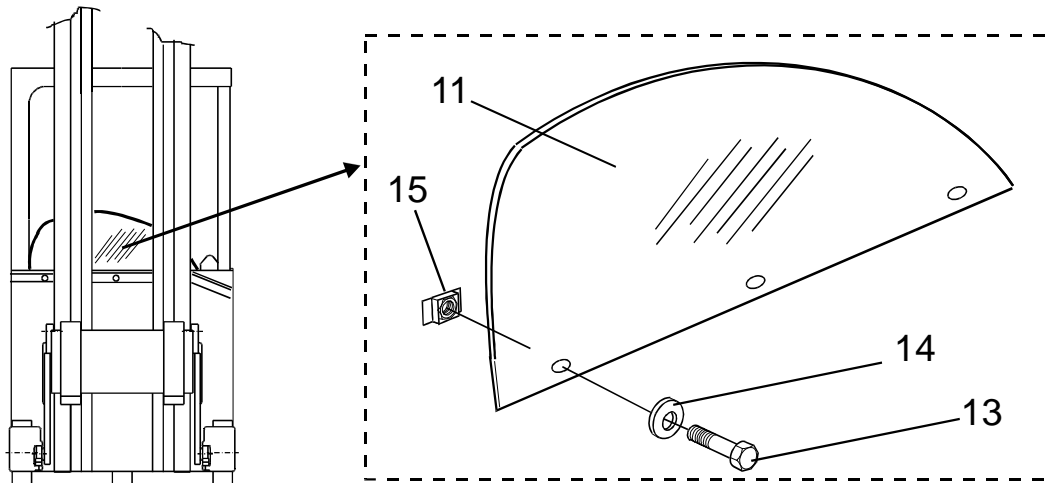
0450-028 Motor fixing points

[1999-03-09]

Motorupphängning/-fästen; Motoraufhängung/Halterung; Points de fixation moteur

		403 RR B1-B3 -		
Pos	Description	Pcs	Part No	Note
11	Screw Skruv; Schraube; Vis	6	20601	
12	Protection Skydd; Schutz; Protègee	2	167529	
13	Lamina Platta; Platten; Platine	1	147634	
14	O-ring O-ring; O-ring; Joint torique	2	21023	
15	Bush Bussning; Bague; Bague	4	147633	
16	Screw Skruv; Schraube; Vis	4	28519	
17	Screw Skruv; Schraube; Vis	4	20319	
18	Washer Bricka; Scheibe; Rondelle	4	60307	
19	Damper Dämpare; Dämpfer; Attenteur	4	168357	
20	Nut Mutter; Mutter; Ecrou	4	29590	
21	Bracket Fäste; Halterung; Support	2	149189	
22	Screw Skruv; Schraube; Vis	4	20351	
23	Washer Bricka; Scheibe; Rondelle	4	22553	

0820-010



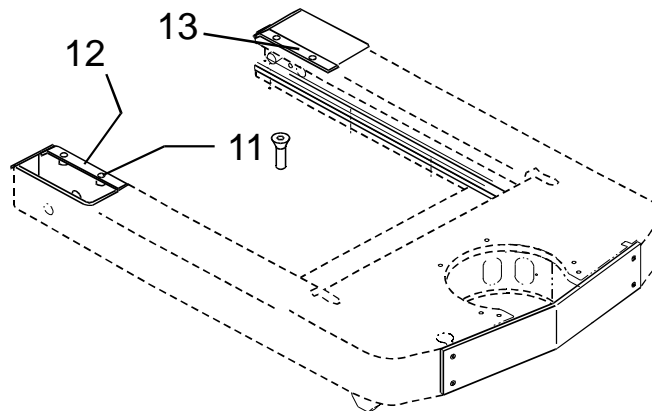
0820-010 Finger/foot guards

Finger-/fotskydd; Finger-/ Fusschutz; Protection de doigts/pieds anti-écrasement

[1996-12-20]

403 RR B1-B3 -				
Pos	Description	Pcs	Part No	Note
11	Finger cover Fingerskydd; Fingerschutz; Protège main	1	145274	
13	Screw Skruv; Schraube; Vis	3	20351	
14	Washer Bricka; Scheibe; Rondelle	3	42993	
15	Nut Mutter; Mutter; Ecrou	3	28930	

0820-029



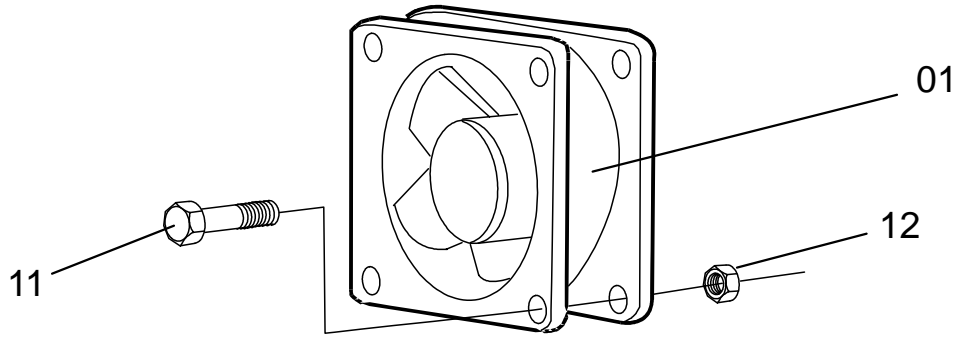
0820-029 Finger/foot guards

Finger-/fotskydd; Finger-/ Fusschutz; Protection de doigts/pieds anti-écrasement

[1999-03-09]

403 RR B1-B3 -				
Pos	Description	Pcs	Part No	Note
11	Screw Skruv; Schraube; Vis	4	20401	
12	Protection Skydd; Schutz; Protègee	1	157011	
13	Protection Skydd; Schutz; Protègee	1	157012	

1740-003

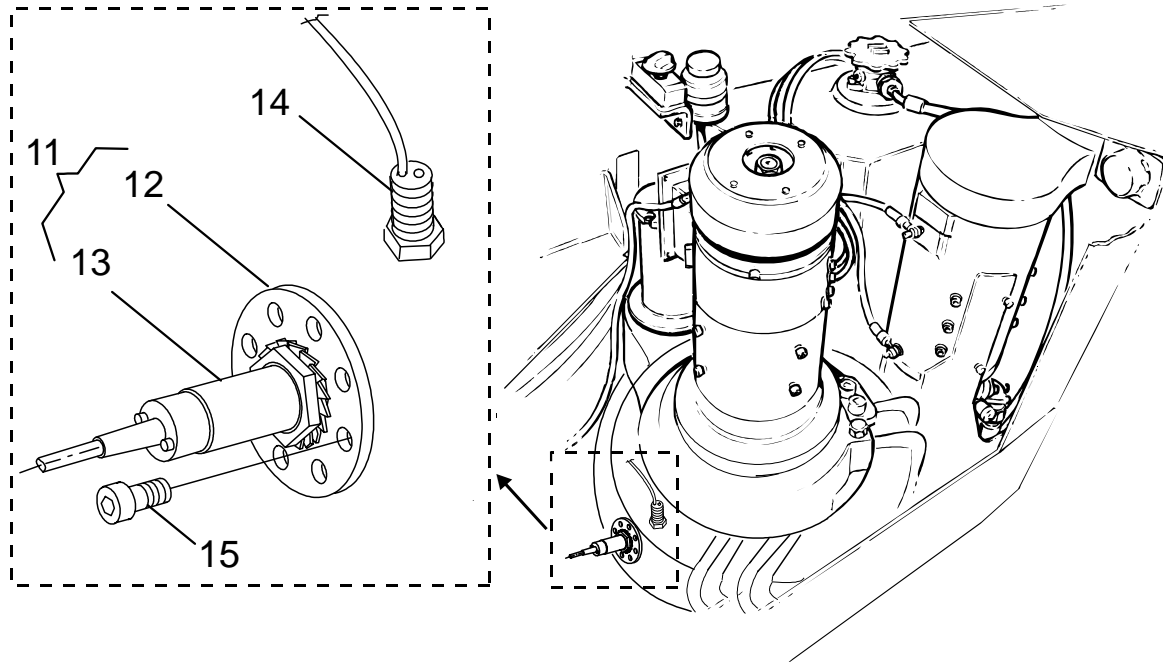
**1740-003 Electric fan motor, electric fan**

[1999-02-23]

Elektrisk fläktmotor/ fläkt; Elektro- Lüftermotor/ Lüfter; Moteur du ventilateur/ ventilateur électrique

		403 RR B1-B3		-
Pos	Description	Pcs	Part No	Note
01	Fan Fläkt; Kühlgebläse; Ventilateur	1	135150	
11	Screw Skruv; Schraube; Vis	4	25360	
12	Nut Mutter; Mutter; Ecrou	4	20235	

4350-002



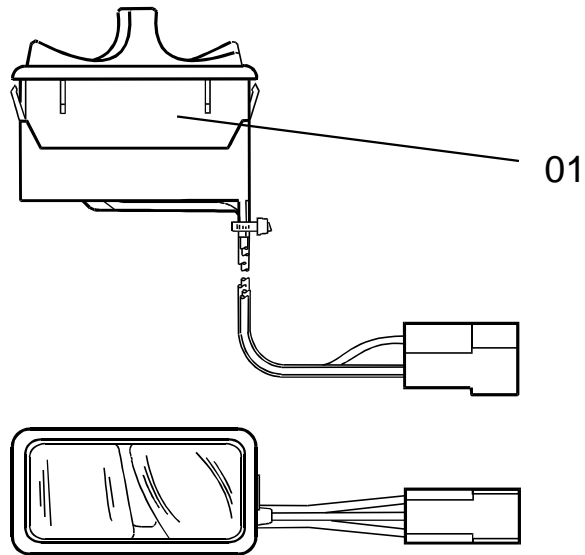
4350-002 Steering angle sensor

Styrvinkelgivare; Lenkwinkelgeber; Capteur d'angle de direction

[1999-06-10]

			403 RR B1-B3	-
Pos	Description	Pcs	Part No	Note
11	Sensing device(Complete) Induktivgivare(Komplett); Fühler(Komplett); Emetteur(Comple)	1	159919	
12	Washer Bricka; Scheibe; Rondelle	1	159417	
13	Sensing device Induktivgivare; Fühler; Emetteur	1	159283-080	
14	Sensing device Induktivgivare; Fühler; Emetteur	1	145374-070	
15	Screw Skruv; Schraube; Vis	2	22229	

5320-004

**5320-004 Travel direction switch (separate)**

[1997-11-20]

Riktningväljare (separat); Richtungsschalter (separat); Sélecteur de direction (séparé)

Pos	Description	Pcs	Part No	Note
01	Switch(Complete) Brytare(Komplett); Schalter(Komplett); Rupteur(Comple)	1	162868	

CLICK HERE TO **DOWNLOAD** THE COMPLETE MANUAL

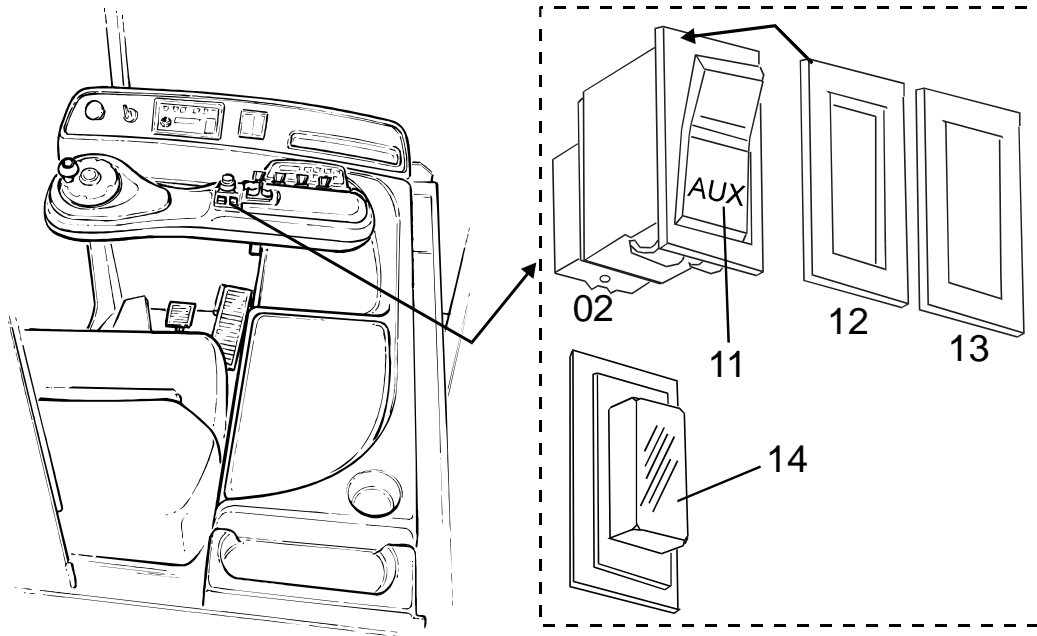
- Thank you very much for reading the preview of the manual.
- You can download the complete manual from: www.heydownloads.com by clicking the link below



- Please note: If there is no response to CLICKING the link, please download this PDF first and then click on it.

CLICK HERE TO **DOWNLOAD** THE COMPLETE MANUAL

5510-011



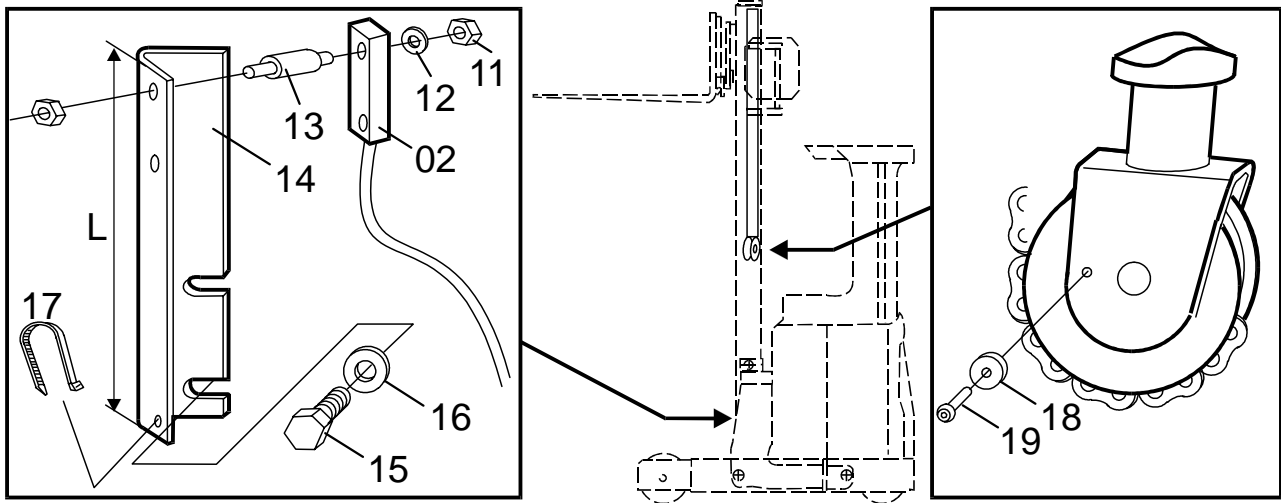
5510-011 Work function micro switches, potentiometers

[1997-11-05]

Arbetsfunktionsbrytare/-potentiometer; Schalter/Potentiometer Arbeitsfunktion; Rupteurs (switches)/
potentiomètres

4 - 5 - Functions; 4 - 5 - Funktioner; 4 - 5 - Funktion; 4 - 5 - Fonction		403 RR B1-B3		-
Pos	Description	Pcs	Part No	Note
02	Switch Brytare; Schalter; Rupteur	1	132571	
11	Sign Skylt; Schild; Vignette	1	133414-014	
12	Frame Ram; Rahmen; Cadre	1	133416	
13	Cap Lock; Deckel; Couvercle	1	132577	
14	Protection Skydd; Schutz; Protègee	1	152983	Cold stores Fryshus; Gefrieranlage; Chambre frigorifique

5820-007



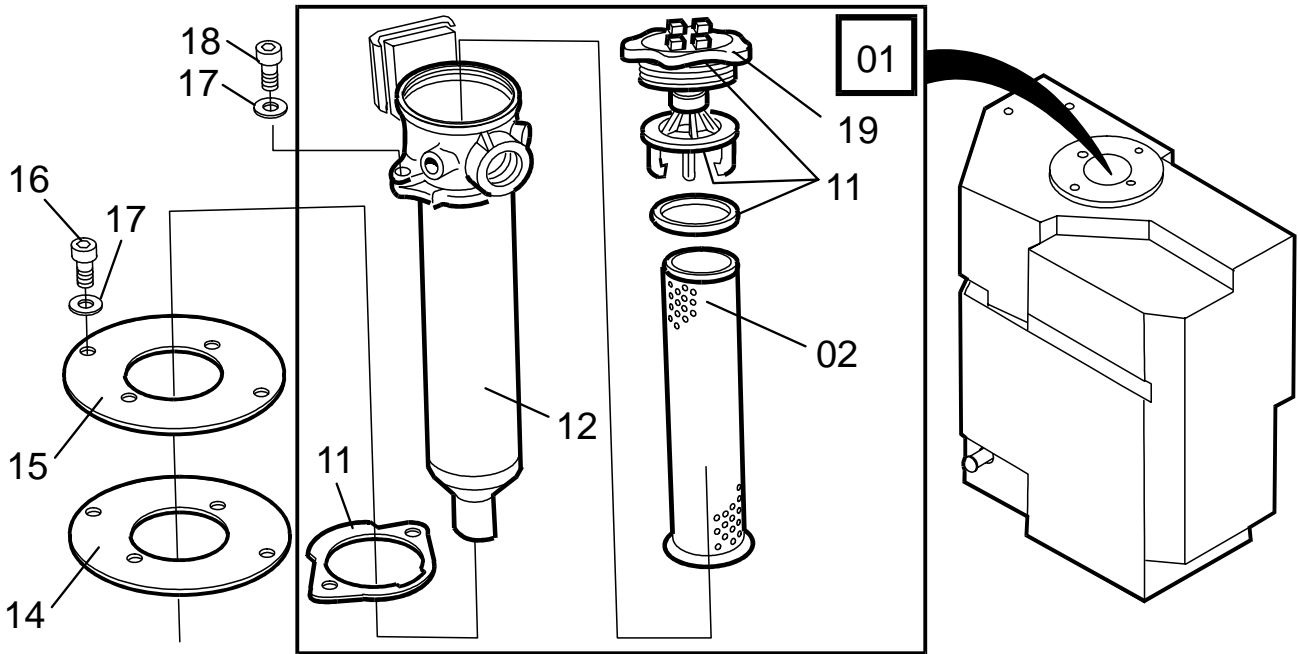
5820-007 Lift/lowering/reach movement probes/sensors

[1999-02-23]

Lyft-/sänk-/skjutrörelse-givare/-sensor; Hub-/Senk-/Schubgeber/-sensor; Capteurs de levage/descente/rétraction

Speed regulation, mast; Hastighetsreglering, mast; Geschwindigkeitsregulierung, mast; Régulateur de la vitesse, mât			403 RR B1-B3	-
Pos	Description	Pcs	Part No	Note
02	Magnet switch Magnetbrytare; Magnetschalter; Rupteur de bobine	1	157387-040	
11	Nut Mutter; Mutter; Ecrou	4	28972	
12	Washer Bricka; Scheibe; Rondelle	4	22417	
13	Damper Dämpare; Dämpfer; Attenteur	2	136060	
14	Bracket Fäste; Halterung; Support	1	151029	L = 197 mm
14	Bracket Fäste; Halterung; Support	1	151935	L = 257 mm
15	Screw Skruv; Schraube; Vis	2	20259	
16	Washer Bricka; Scheibe; Rondelle	2	20375	
17	Clamp Klamma; Rohrschelle; Collier	1	22461	
18	Magnet Magnet; Magnet; Magnétique	1	148711	
19	Screw Skruv; Schraube; Vis	1	24354	

6130-017



6130-017 Filters and housing

Filter, filterhus; Filter, Gehäuse; Filtres, logement de filtre

[1999-06-21]

Pos	Description	Pcs	Part No	Note
			403 RR B1-B3	-
01	Filter(Complete) Filter(Komplett); Filter(Komplett); Filtre(Comple)	1	172332	
01	Filter(Complete) Filter(Komplett); Filter(Komplett); Filtre(Comple)	1	172333	Cold stores Fryshus; Gefrieranlage; Chambre frigorifique
02	Filter Filter; Filter; Filtre	1	138926	
11	Packing set Packningssats; Packungssatz; Jeux d' étanchéité.	1	173469	
12	Pipe Rör; Rohr; Tube	1	173470	
14	Packing Packning; Packung; Étanchage	1	150291	
15	Plate Plåt; Platte; Plaque	1	148368	
16	Screw Skruv; Schraube; Vis	2	20184	
17	Washer Bricka; Scheibe; Rondelle	2	22553	
18	Screw Skruv; Schraube; Vis	2	20276	
19	Cap Lock; Deckel; Couvercle	1	163658	

6230-004 Hydraulic lines chassis

[1999-02-23]

Chassimonterade hydraulledning; Hydraulikleitungen Chassis; Circuits hydrauliques châssis

		403 RR B1-B3		-
Pos	Description	Pcs	Part No	Note
11	Connection Koppling; Kupplung; Raccord	1	127927-008	
12	Connection Koppling; Kupplung; Raccord	1	139788-018	
13	Hose(Meter) Slang(Meter); Schlauch(Meter); Tuyau flexible(Metre)		28108	
14	Connection Koppling; Kupplung; Raccord	1	22960	
15	Hose Slang; Schlauch; Tuyau flexible	1	142469-001	
16	Plug Propp; Pfropfen; Bouchon	1	20288	
17	Hollow screw Hålskruv; Hohlschraube; Vis à torage	1	29639	
18	Sealing Tätning; Dichtung; Joint	2	22944	
19	Hose Slang; Schlauch; Tuyau flexible	1	142464-001	
20	Screw Skruv; Schraube; Vis	2	162221	
21	Screw Skruv; Schraube; Vis	2	24609	
22	Clamp Klamma; Rohrschelle; Collier	2	145470	
23	Clamp Klamma; Rohrschelle; Collier	2	143405	
24	Washer Bricka; Scheibe; Rondelle	4	20375	
25	Nut Mutter; Mutter; Erou	2	20433	
26	List(Meter) List(Meter); Leiste(Meter); Bande(Metre)		21762	
27	Screw Skruv; Schraube; Vis	2	21935	
28	Washer Bricka; Scheibe; Rondelle	2	21275	
29	Clamp Klamma; Rohrschelle; Collier	2	145025	
30	Clamp Klamma; Rohrschelle; Collier	1	151940	
31	Screw Skruv; Schraube; Vis	1	21935	
32	Washer Bricka; Scheibe; Rondelle	1	21275	
33	Clamp Klamma; Rohrschelle; Collier	1	152144	
34	Washer Bricka; Scheibe; Rondelle	2	20404	
35	Screw Skruv; Schraube; Vis	2	20031	
36	Protection(Meter) Skydd(Meter); Schutz(Meter); Protège(Metre)		29946	
37	Hose Slang; Schlauch; Tuyau flexible	1	142469-001	
38	Connection Koppling; Kupplung; Raccord	1	28064	
39	Hose Slang; Schlauch; Tuyau flexible	1	142462-001	
40	Hose protection(Meter) Slangskydd(Meter); Schlauchschutz(Meter); Protection de tuyau flexible(Metre)		145409	

6320-011 Mast hydraulic lines

[1999-03-02]

Stativhydraulledning; Hydraulikleitungen Hubeinrichtung; Circuits hydrauliques mât

2 Extra functions 2 hose reels; 2 Extra funktion 2 slangvindor; 2 Extra funktion 2 Schlauchrollen; 2 Extrafunktion 2 roleau de tuyau		403 RR B1-B3		-
Pos	Description	Pcs	Part No	Note
11	Hose Slang; Schlauch; Tuyau flexible	1	143709-001	
12	Hose Slang; Schlauch; Tuyau flexible	1	143708-001	
13	Hose Slang; Schlauch; Tuyau flexible	1	146875-001	Lift height < = 5400 mm Lyfthöjd < = 5400 mm; Hubhöhe < = 5400 mm; De élévation < = 5400 mm
13	Hose Slang; Schlauch; Tuyau flexible	1	146875-002	5400 mm < lift height < = 6300 mm 5400 mm < lyfthöjd < = 6300 mm; 5400 mm < Hubhöhe < = 6300 mm; 5400 mm < de élévation < = 6300 mm
13	Hose Slang; Schlauch; Tuyau flexible	1	146875-003	6300 mm < lift height < = 8000 mm 6300 mm < lyfthöjd < = 8000 mm; 6300 mm < Hubhöhe < = 8000 mm; 6300 mm < de élévation < = 8000 mm
13	Hose Slang; Schlauch; Tuyau flexible	1	146875-004	Lift height, over 8000 mm Lyfthöjd, över 8000 mm; Hubhöhe, über 8000 mm; De élévation, dessus 8000 mm
14	Hose Slang; Schlauch; Tuyau flexible	1	146876-001	Lift height < = 5400 mm Lyfthöjd < = 5400 mm; Hubhöhe < = 5400 mm; De élévation < = 5400 mm
14	Hose(L = 2700 mm) Slang; Schlauch; Tuyau flexible	1	146876-002	5400 mm < lift height < = 6300 mm 5400 mm < lyfthöjd < = 6300 mm; 5400 mm < Hubhöhe < = 6300 mm; 5400 mm < de élévation < = 6300 mm
14	Hose Slang; Schlauch; Tuyau flexible	1	146876-004	6300 mm < lift height < = 8000 mm 6300 mm < lyfthöjd < = 8000 mm; 6300 mm < Hubhöhe < = 8000 mm; 6300 mm < de élévation < = 8000 mm
14	Hose(L = 3700 mm) Slang; Schlauch; Tuyau flexible	1	146876-005	Lift height, over 8000 mm Lyfthöjd, över 8000 mm; Hubhöhe, über 8000 mm; De élévation, dessus 8000 mm
15	Hose Slang; Schlauch; Tuyau flexible	2	146863-001	Lift height < = 5400 mm Lyfthöjd < = 5400 mm; Hubhöhe < = 5400 mm; De élévation < = 5400 mm
15	Hose Slang; Schlauch; Tuyau flexible	2	146863-002	5400 mm < lift height < = 6300 mm 5400 mm < lyfthöjd < = 6300 mm; 5400 mm < Hubhöhe < = 6300 mm; 5400 mm < de élévation < = 6300 mm
15	Hose Slang; Schlauch; Tuyau flexible	2	146863-003	6300 mm < lift height < = 8000 mm 6300 mm < lyfthöjd < = 8000 mm; 6300 mm < Hubhöhe < = 8000 mm; 6300 mm < de élévation < = 8000 mm
15	Hose Slang; Schlauch; Tuyau flexible	2	146863-004	Lift height, over 8000 mm Lyfthöjd, över 8000 mm; Hubhöhe, über 8000 mm; De élévation, dessus 8000 mm
16	Clamp Klamma; Rohrschelle; Collier	1	145025	

6610-016 Main lift cylinders

[1999-03-02]

Huvudlyftcylindrar; Haupthubzylinder; Vérin de levage, principal

RR B2, B3, E2, E3, N2, N3		403 RR B1-B3		-
Pos	Description	Pcs	Part No	Note
01	Lifting cylinder compl Lyftcylinder kompl.; Hubzylinder Kompl.; Verin de levage compl.	2	160019-440	
01	Lifting cylinder compl Lyftcylinder kompl.; Hubzylinder Kompl.; Verin de levage compl.	2	160019-480	
01	Lifting cylinder compl Lyftcylinder kompl.; Hubzylinder Kompl.; Verin de levage compl.	2	160019-540	
01	Lifting cylinder compl Lyftcylinder kompl.; Hubzylinder Kompl.; Verin de levage compl.	2	160019-570	
01	Lifting cylinder compl Lyftcylinder kompl.; Hubzylinder Kompl.; Verin de levage compl.	2	160020-630	
01	Lifting cylinder compl Lyftcylinder kompl.; Hubzylinder Kompl.; Verin de levage compl.	2	160020-700	
01	Lifting cylinder compl Lyftcylinder kompl.; Hubzylinder Kompl.; Verin de levage compl.	2	160020-750	
01	Lifting cylinder compl Lyftcylinder kompl.; Hubzylinder Kompl.; Verin de levage compl.	2	160020-800	
01	Lifting cylinder compl Lyftcylinder kompl.; Hubzylinder Kompl.; Verin de levage compl.	2	160020-850	
01	Lifting cylinder compl Lyftcylinder kompl.; Hubzylinder Kompl.; Verin de levage compl.	2	160020-900	
01	Lifting cylinder compl Lyftcylinder kompl.; Hubzylinder Kompl.; Verin de levage compl.	2	160020-950	
03	Cylinder pipe Cylinderrör; Zylinderrohr; Tube de cylindre	2	155835-440	
03	Cylinder pipe Cylinderrör; Zylinderrohr; Tube de cylindre	2	155835-480	
03	Cylinder pipe Cylinderrör; Zylinderrohr; Tube de cylindre	2	155835-540	
03	Cylinder pipe Cylinderrör; Zylinderrohr; Tube de cylindre	2	155835-570	
03	Cylinder pipe Cylinderrör; Zylinderrohr; Tube de cylindre	2	155836-630	
03	Cylinder pipe Cylinderrör; Zylinderrohr; Tube de cylindre	2	155836-700	
03	Cylinder pipe Cylinderrör; Zylinderrohr; Tube de cylindre	2	155836-750	
03	Cylinder pipe Cylinderrör; Zylinderrohr; Tube de cylindre	2	155836-800	
03	Cylinder pipe Cylinderrör; Zylinderrohr; Tube de cylindre	2	155836-850	
03	Cylinder pipe Cylinderrör; Zylinderrohr; Tube de cylindre	2	155836-900	
03	Cylinder pipe Cylinderrör; Zylinderrohr; Tube de cylindre	2	155836-950	
05	Piston rod Kolvstång; Kolbenstange; Tige de piston	2	160023-440	
05	Piston rod Kolvstång; Kolbenstange; Tige de piston	2	160023-480	
05	Piston rod Kolvstång; Kolbenstange; Tige de piston	2	160023-540	
05	Piston rod Kolvstång; Kolbenstange; Tige de piston	2	160023-570	
05	Piston rod Kolvstång; Kolbenstange; Tige de piston	2	160024-630	
05	Piston rod Kolvstång; Kolbenstange; Tige de piston	2	160024-700	
05	Piston rod Kolvstång; Kolbenstange; Tige de piston	2	160024-750	
05	Piston rod Kolvstång; Kolbenstange; Tige de piston	2	160024-800	
05	Piston rod Kolvstång; Kolbenstange; Tige de piston	2	160024-850	

Pos	Description	Pcs	Part No	Note
30	Roller(A = 89.1 mm, marked D) Rulle(A = 89.1 mm, märkt D); Rolle(A = 89.1 mm, marke D); Roleau(A = 89.1 mm, marqué D)	4	161674	Lift height = 6300 mm - 9500 mm Lyfthöjd = 6300 mm - 9500 mm; Hubhöhe = 6300 mm - 9500 mm; De élévation = 6300 mm - 9500 mm
31	Fork carriage Gaffelvagn; Gabelwagen; Chariot porte-fourche	1	148541	Lift height = 6300 mm - 9500 mm Lyfthöjd = 6300 mm - 9500 mm; Hubhöhe = 6300 mm - 9500 mm; De élévation = 6300 mm - 9500 mm
31	Fork carriage Gaffelvagn; Gabelwagen; Chariot porte-fourche	1	151701	Lift height = 4400 mm - 5700 mm Lyfthöjd = 4400 mm - 5700 mm; Hubhöhe = 4400 mm - 5700 mm; De élévation = 4400 mm - 5700 mm

CLICK HERE TO **DOWNLOAD** THE COMPLETE MANUAL

- Thank you very much for reading the preview of the manual.
- You can download the complete manual from: www.heydownloads.com by clicking the link below



- Please note: If there is no response to CLICKING the link, please download this PDF first and then click on it.

CLICK HERE TO **DOWNLOAD** THE COMPLETE MANUAL