



Quality Parts

RR B1 / B2 / B3 / E1 / E2 / E3 / (C) / 14 (DC)

Valid for machine number..... 293892AA-301925AA

Only valid for machine number.....

Ordering number 156649

Date 1996-12-13 / ITS / ESIF

Language..... GB; SE; DE; FR

CLICK HERE TO **DOWNLOAD** THE COMPLETE MANUAL

- Thank you very much for reading the preview of the manual.
- You can download the complete manual from: www.heydownloads.com by clicking the link below



- Please note: If there is no response to CLICKING the link, please download this PDF first and then click on it.

CLICK HERE TO **DOWNLOAD** THE COMPLETE MANUAL

6210-008	Main valve unit lift/reach/tilt Huvudventil lyft/utskjut./tilt; Hauptventil Hub/Schub/Neigung; Soupape principale levage/rétraction/inclinaison	Cabin tilt ERGO - REX
6210-016	Main valve unit lift/reach/tilt Huvudventil lyft/utskjut./tilt; Hauptventil Hub/Schub/Neigung; Soupape principale levage/rétraction/inclinaison	
6210-017	Main valve unit lift/reach/tilt Huvudventil lyft/utskjut./tilt; Hauptventil Hub/Schub/Neigung; Soupape principale levage/rétraction/inclinaison	
6220-003	Control valve (extra hydr.attachm.) Riktningssventil tillsatsutrustning; Richtungsventil zusatzausrüstung; Valve manuelle	
6220-004	Control valve (extra hydr.attachm.) Riktningssventil tillsatsutrustning; Richtungsventil zusatzausrüstung; Valve manuelle	2 Extra functions 2 hose reels
6270-003	Hose, reel Slangvinda, vippstycke; Schlauchtrommel, Schwenkkupplung; Enrouleur, joint tournant	Lift height < = 7000 mm
6270-004	Hose, reel Slangvinda, vippstycke; Schlauchtrommel, Schwenkkupplung; Enrouleur, joint tournant	Lift height = 7500 mm - 9000 mm

7000 Operating funktion - lifting mast/cylinder

Arbetsfunktion - lyftstativ/cylindrar; Arbeitsfunktion - Hubgerüst / zylinder; Fonction de travail - mat / cylindre

7120-029	Chains / yokes / rollers Kedja/kedjeok/rullar; Kette / Kettenjoch / Rollen; Chaines / poulies	
7120-030	Chains / yokes / rollers Kedja/kedjeok/rullar; Kette / Kettenjoch / Rollen; Chaines / poulies	RR B1, E1, N1
7120-031	Chains / yokes / rollers Kedja/kedjeok/rullar; Kette / Kettenjoch / Rollen; Chaines / poulies	RR B2, B3, E2, E3, N2, N3
7130-011	Main mast fork carriage Huvudstativokvagn; Gabel-/Aggregatträger Haupthubergüst; Tablier porte-fourches mât principal	RR B1, E1
7130-013	Main mast fork carriage Huvudstativokvagn; Gabel-/Aggregatträger Haupthubergüst; Tablier porte-fourches mât principal	RR B2, B3, E2, E3
7150-001	Mast guidance / dampers Stativstyrning / dämpning; Stativführung / Dämpfer; Guidage de mat	
7150-006	Mast guidance / dampers Stativstyrning / dämpning; Stativführung / Dämpfer; Guidage de mat	
7190-005	Mast carriage, mast fixation points Stativfästning; Mastbefestigung / Wagen; Chariot porte-mat / point fixation mat	
7310-030	Lift cylinders Lyftcylinder; Hubzylinder; Verin de levage	RR B2, B3, E2, E3, N2, N3
7310-033	Lift cylinders Lyftcylinder; Hubzylinder; Verin de levage	RR B1, E1, N1
7320-004	Tilt cylinders Tiltcylinder; Neigezylinder; Vérin d'inclinaison	Tilt cylinder - Cabin ERGO-REX
7320-006	Tilt cylinders Tiltcylinder; Neigezylinder; Vérin d'inclinaison	With side shift

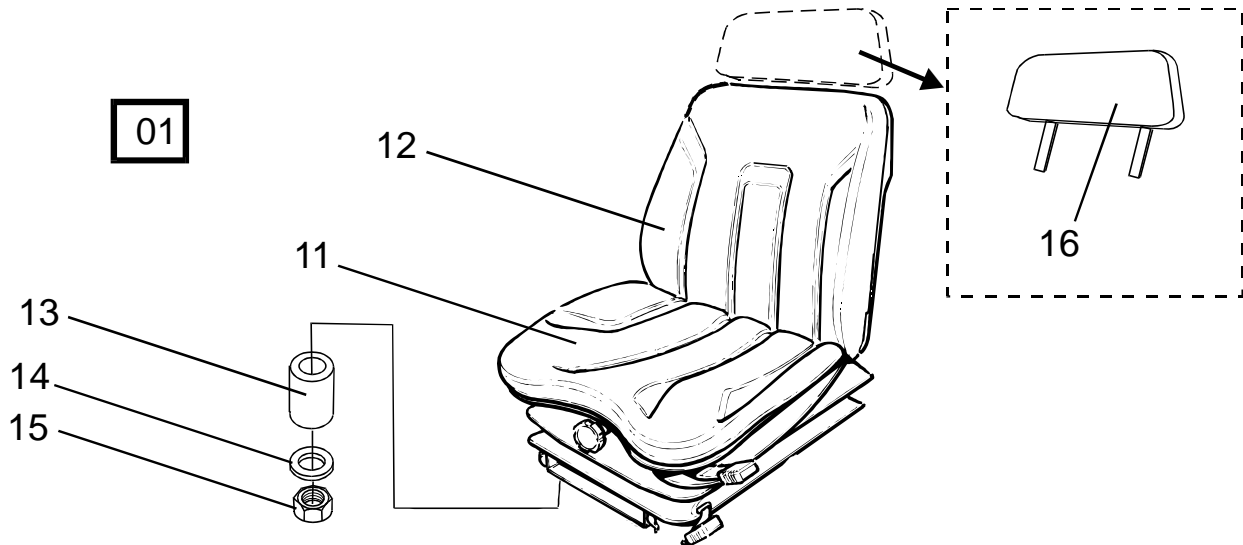
0390-012 Battery compartment parts

[1997-05-14]

Batteriutrymmesdelar; Batterieraumteile; Pièce de compartiment batterie

Cabin tilt ERGO - REX; Hyttilt ERGO - REX; Umklappbar Kabinen ERGO - REX; Cabine oscillant ERGO - REX		305 RR E1-E3		265200 - 326472	
Pos	Description	Pcs	Part No	Note	
11	Key(L = 263 mm, M = 39 mm) Kil; Keil; Clavette	1	141242-010		
11	Key(L = 411 mm, M = 39 mm) Kil; Keil; Clavette	1	141242-030		
11	Key(L = 263 mm, M = 47 mm) Kil; Keil; Clavette	1	147969-010		
11	Key(L = 411 mm, M = 47 mm) Kil; Keil; Clavette	1	147969-030		
12	Key(L = 263 mm, M = 39 mm) Kil; Keil; Clavette	1	141243-010		
12	Key(L = 411 mm, M = 39 mm) Kil; Keil; Clavette	1	141243-030		
12	Key(L = 263 mm, M = 47 mm) Kil; Keil; Clavette	1	147970-010		
12	Key(L = 411 mm, M = 47 mm) Kil; Keil; Clavette	1	147970-030		
13	Axle Axel; Achse; Axe	2	105393		
14	Screw Skruv; Schraube; Vis	2	20259		
15	Protection(N = 40 mm) Skydd; Schutz; Protègee	1	146361-010		
15	Protection(N = 115 mm) Skydd; Schutz; Protègee	1	146361-030		
15	Protection(N = 187 mm) Skydd; Schutz; Protègee	1	146361-050		
16	Protection Skydd; Schutz; Protègee	1	146032		
17	Screw Skruv; Schraube; Vis	6	22229		
18	Washer Bricka; Scheibe; Rondelle	6	20375		
19	Pedal Pedal; Pedal; Pédale	1	145203		
20	Plate Plåt; Platte; Plaque	1	144840		
21	Spring(Stainless Steel) Fjäder(Rostfri); Feder(Nichtrostende); Ressort(Inoxydable)	1	109909	Cold stores Fryshus; Gefrieranlage; Chambre frigorifique	
21	Spring Fjäder; Feder; Ressort	1	53037		
22	Screw Skruv; Schraube; Vis	1	28344		
23	Nut Mutter; Mutter; Ecrou	1	20045		
24	Spring Fjäder; Feder; Ressort	1	29659		
25	Screw Skruv; Schraube; Vis	3	29982		
26	Catch Spärr; Sperre; Arret	1	144415		
27	Bush Bussning; Bague; Bague	1	44110		
28	Screw(Stainless Steel) Skruv(Rostfri); Schraube(Nichtrostende); Vis(Inoxydable)	1	126733	Cold stores Fryshus; Gefrieranlage; Chambre frigorifique	
28	Screw Skruv; Schraube; Vis	1	65958		
29	Screw Skruv; Schraube; Vis	1	21503		

0620-003



0620-003 Seat, cushions

[1996-10-01]

Förarstol, dynor; Fahrersitz, Kissen; Siège, coussins de siège/dossier

Pos	Description	Pcs	Part No	Note
			302 RR B1-B3	265200 - 306400
01	Seat with spring system cpl. Stol fjädrande kpl.; Sitz mit Federung Kpl.; Siege avec suspension à ressort cpl.	1	144844	
01	Seat with spring system cpl.(Heated 48V / textile) Stol fjädrande kpl.(El-uppvärmd 48V / textil); Sitz mit Federung Kpl.(El, Erwärmung 48V / Textil); Siege avec suspension à ressort cpl.(Chauffage él, 48V / textile)	1	145280	
01	Seat with spring system cpl.(Heated 48V / PVC - coating) Stol fjädrande kpl.(El-uppvärmd 48V / galon); Sitz mit Federung Kpl.(El, Erwärmung 48V / Tresse); Siege avec suspension à ressort cpl.(Chauffage él, 48V / galon)	1	145281	
11	Seat cushion Sitt dyna; Sitzkissen; Siège	1	146522-001	
11	Seat cushion(Heated 48V / textile) Sitt dyna(El-uppvärmd 48V / textil); Sitzkissen(El, Erwärmung 48V / Textil); Siège(Chauffage él, 48V / textile)	1	146522-002	
11	Seat cushion(Heated 48V / PVC - coating) Sitt dyna(El-uppvärmd 48V / galon); Sitzkissen(El, Erwärmung 48V / Tresse); Siège(Chauffage él, 48V / galon)	1	146522-003	
12	Back rest Ryggdyna; Rückenlehne; Dossier	1	146523-001	
12	Back rest(Heated 48V / textile) Ryggdyna(El-uppvärmd 48V / textil); Rückenlehne(El, Erwärmung 48V / Textil); Dossier(Chauffage él, 48V / textile)	1	146523-002	
12	Back rest(Heated 48V / PVC - coating) Ryggdyna(El-uppvärmd 48V / galon); Rückenlehne(El, Erwärmung 48V / Tresse); Dossier(Chauffage él, 48V / galon)	1	146523-003	
13	Distance piece Distans; Distanz; Distance	4	146334	
14	Washer Bricka; Scheibe; Rondelle	4	20404	
15	Nut Mutter; Mutter; Ecrou	4	20016	
16	Backrest extension(Textile) Ryggstödsförlängning(Textil); Rückenlehene, verlängerung(Textil); Dossier, allongement(Textile)	1	150926-001	
16	Backrest extension(PVC - coating) Ryggstödsförlängning(Galon); Rückenlehene, verlängerung(Tresse); Dossier, allongement(Galon)	1	150926-002	

Quality Parts

0680-005

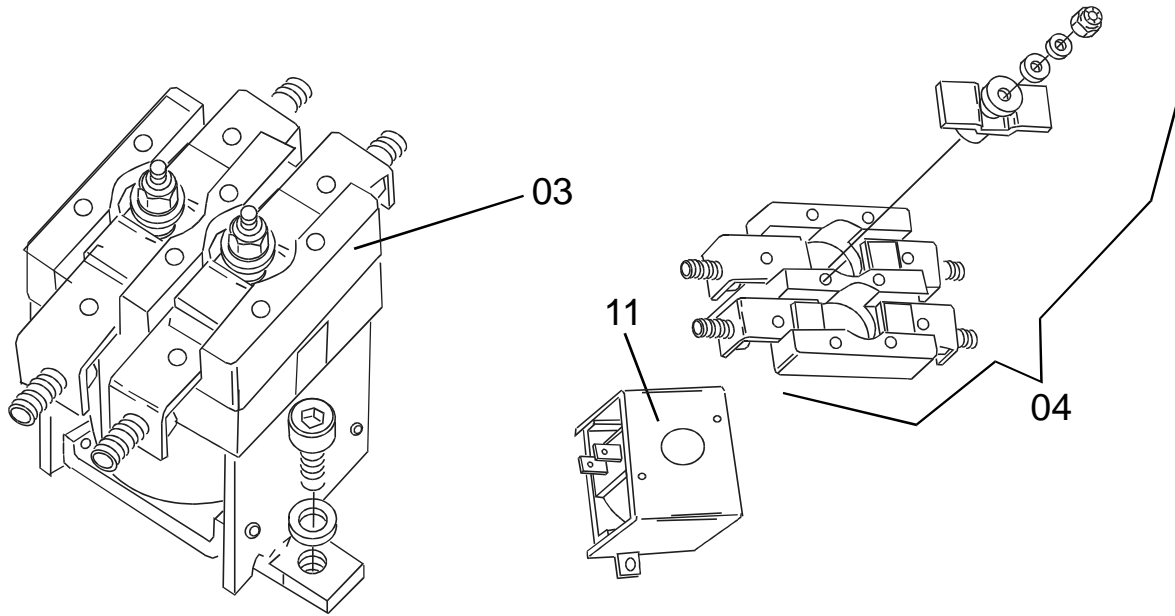
Pos	Description	Pcs	Part No	Note
20	Skidding protection Halkskydd; Rutschabdeckung; Dispositif antidérapant	1	143286	
21	Skidding protection Halkskydd; Rutschabdeckung; Dispositif antidérapant	1	143287	
22	Panel Panel; Paneel; Panneau	1	143296	
23	Panel Panel; Paneel; Panneau	1	143306	
24	Screw Skruv; Schraube; Vis	1	20938	
25	Nut Mutter; Mutter; Ecrou	1	127035-003	
26	Frame Ram; Rahmen; Cadre	2	133416	
27	Cap Lock; Deckel; Couvercle	2	132577	
28	Panel Panel; Paneel; Panneau	1	143309	
29	Panel Panel; Paneel; Panneau	1	145263	
30	Screw Skruv; Schraube; Vis	4	20938	
31	Nut Mutter; Mutter; Ecrou	4	127035-003	
32	Screw Skruv; Schraube; Vis	4	20938	
33	Nut Mutter; Mutter; Ecrou	4	127035-003	
34	Washer Bricka; Scheibe; Rondelle	4	29758	
35	Washer Bricka; Scheibe; Rondelle	1	29758	
36	Washer Bricka; Scheibe; Rondelle	4	29758	
37	Sleeve Hylsa; Hülse; Douille	2	148496	RR B4-B8

Quality Parts

0820-026

Pos	Description	Pcs	Part No	Note
21	Bracket Fäste; Halterung; Support	1	144411	
22	Plate Plåt; Platte; Plaque	1	144199	
23	Screw Skruv; Schraube; Vis	2	20154	
24	Washer Bricka; Scheibe; Rondelle	4	20375	
25	Nut Mutter; Mutter; Ecrou	2	20249	
26	Screw Skruv; Schraube; Vis	2	20154	
27	Washer Bricka; Scheibe; Rondelle	4	20375	
28	Nut Mutter; Mutter; Ecrou	2	20249	
29	Hinge Gångjärn; Chamier; Charnière	1	144309	
30	Screw Skruv; Schraube; Vis	2	21503	
31	Washer Bricka; Scheibe; Rondelle	4	20375	
32	Nut Mutter; Mutter; Ecrou	2	20249	
33	Screw Skruv; Schraube; Vis	2	20439	
34	Washer Bricka; Scheibe; Rondelle	2	20348	
35	Bracket Fäste; Halterung; Support	1	144335	
36	Nut Mutter; Mutter; Ecrou	1	20081	
37	Screw Skruv; Schraube; Vis	1	117919	
38	Gas suspension(800 Newton) Gasfjäder; Gasfederung; Suspension à gaz	1	122314-088	
39	Nut Mutter; Mutter; Ecrou	1	20081	
40	Plate Plåt; Platte; Plaque	1	147537	
41	Screw Skruv; Schraube; Vis	2	28511	
42	Screw Skruv; Schraube; Vis	1	20050	
43	Nut Mutter; Mutter; Ecrou	1	20081	
44	Washer Bricka; Scheibe; Rondelle	2	20404	
45	Finger cover Fingerskydd; Fingerschutz; Protège main	1	149781	
46	Screw Skruv; Schraube; Vis	3	21159	
47	Washer Bricka; Scheibe; Rondelle	3	20404	
48	Nut Mutter; Mutter; Ecrou	3	20016	
49	Screw Skruv; Schraube; Vis	4	29810	
50	Washer Bricka; Scheibe; Rondelle	2	20404	
51	Nut Mutter; Mutter; Ecrou	2	20016	
52	Nut Mutter; Mutter; Ecrou	2	20081	

5190-007



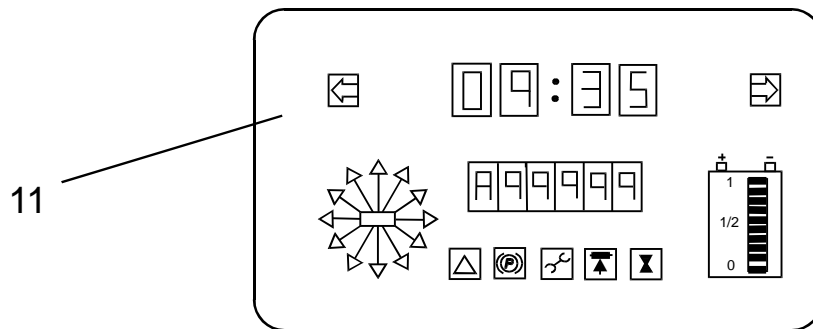
5190-007 Battery cut out connector/contacteur

[1996-11-21]

Batterifrånskiljare, huvudkontaktör; Batterietrennung, Hauptkontaktör; Coupe-circuit de batterie, contacteur

			302 RR B1-B3	265200 - 326472
			305 RR E1-E3	265200 - 326472
Pos	Description	Pcs	Part No	Note
03	Contacteur compl.(48v) Kontaktör kompl.; Kontaktör kompl.; Contacteur compl.	1	136972	
04	Contact set Kontaktsats; Kontaktör; Jeux de contact	1	74458	
11	Coil Spole; Spule; Bobine	1	124905-016	

5200-001



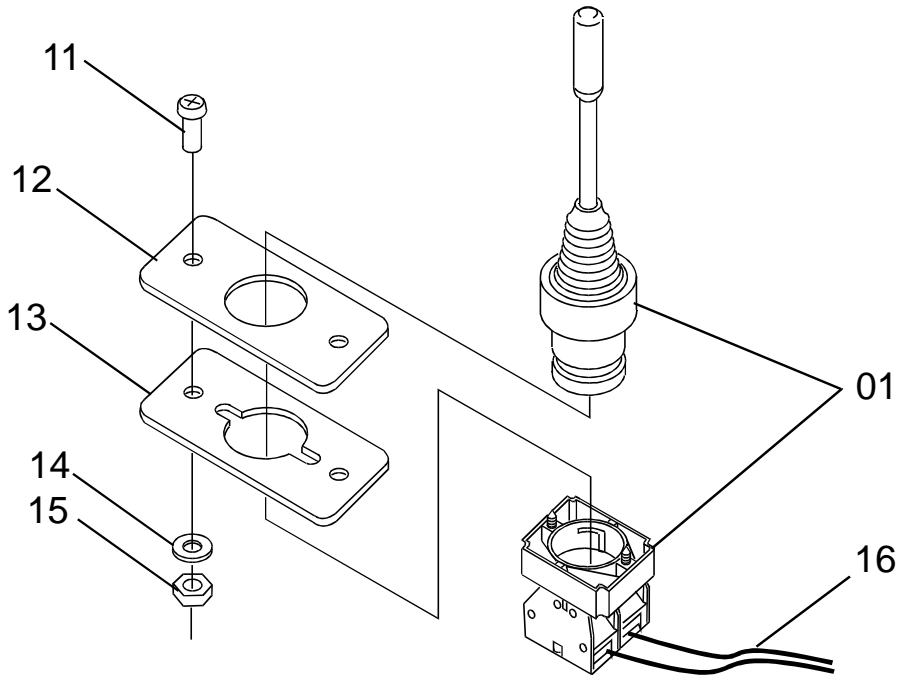
5200-001 Instrument panel, display

[1996-08-08]

Instrumentpanel, display; Instrumentpanel, Display; Tableau de bord, afficheur

			302 RR B1-B3	265200 - 326472
			305 RR E1-E3	265200 - 326472
Pos	Description	Pcs	Part No	Note
11	Display Display; Display; Display	1	143110	

5320-009



5320-009 Travel direction switch (separate)

[1996-09-26]

Riktningssväljare (separat); Richtungsschalter (separat); Sélecteur de direction (séparé)

Cold stores; Fryshus; Gefrieranlage; Chambre frigorifique		302 RR B1-B3 305 RR E1-E3		290083 - 326472 290083 - 326472
Pos	Description	Pcs	Part No	Note
01	Switch Brytare; Schalter; Rupteur	1	152982	
11	Screw Skruv; Schraube; Vis	2	29809	
12	Plate Plåt; Platte; Plaque	1	152732	
13	Plate Plåt; Platte; Plaque	1	152733	
14	Washer Bricka; Scheibe; Rondelle	2	21317	
15	Nut Mutter; Mutter; Ecrou	2	20257	
16	Wiring harness Kablage; Kabelsatz; Câblage	1	154312	

CLICK HERE TO **DOWNLOAD** THE COMPLETE MANUAL

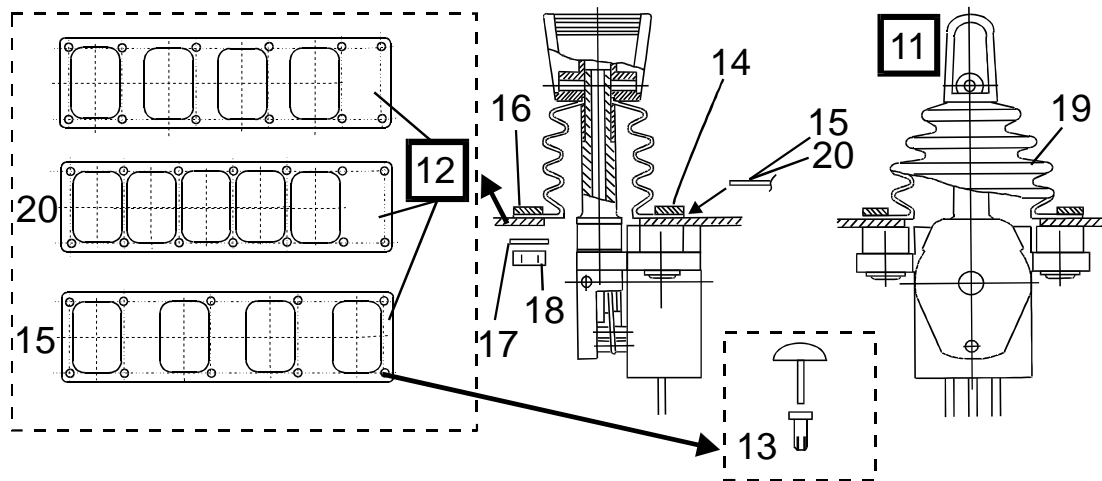
- Thank you very much for reading the preview of the manual.
- You can download the complete manual from: www.heydownloads.com by clicking the link below



- Please note: If there is no response to CLICKING the link, please download this PDF first and then click on it.

CLICK HERE TO **DOWNLOAD** THE COMPLETE MANUAL

5510-020



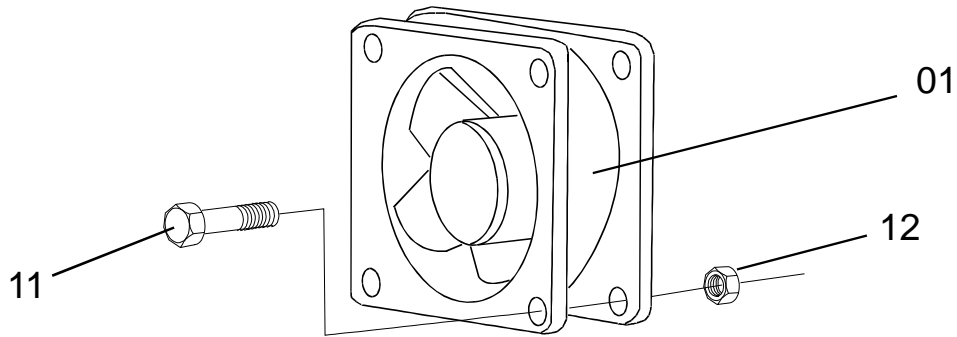
5510-020 Work function micro switches, potentiometers

[1997-10-15]

Arbeitsfunktionsbrytare/-potentiometer; Schalter/Potentiometer Arbeitsfunktion; Rupteurs (switches)/ potentiomètres

Pos	Description	Pcs	Part No	Note
11	Joystick Joystick; Joystick; Joystick	4	142559	
12	Panel(Kit) Panel(Sats); Paneel(satz); Panneau(Jeux)	1	145137	
13	Nit(Plastic) Nit(Plast); Niet(Kunststoff); Rivet(Plastique)	4	29760	
14	Screw Skruv; Schraube; Vis	2	24354	
15	Packing Packning; Packung; Étanchage	1	153228	Cold stores Fryshus; Gefrieranlage; Chambre frigorifique
16	Screw Skruv; Schraube; Vis	2	24354	Cold stores Fryshus; Gefrieranlage; Chambre frigorifique
17	Washer Bricka; Scheibe; Rondelle	2	21307	Cold stores Fryshus; Gefrieranlage; Chambre frigorifique
18	Nut Mutter; Mutter; Ecrou	2	20235	Cold stores Fryshus; Gefrieranlage; Chambre frigorifique
19	Bellows(Rubber) Bälg(Gummi); Balg(Gummi); Soufflet(Gomme)	4	151474-001	
20	Packing Packning; Packung; Étanchage	1	161090	Cold stores Fryshus; Gefrieranlage; Chambre frigorifique

5840-001

**5840-001 Fan motor**

Kylfläktmotor; Lüftermotor; Ventilateur

[1996-05-22]

Pos	Description	Pcs	Part No	Note
			302 RR B1-B3 305 RR E1-E3	265200 - 326472 265200 - 326472
01	Fan Fläkt; Kühlgebläse; Ventilateur	1	135150	
11	Screw Skruv; Schraube; Vis	4	25360	
12	Nut Mutter; Mutter; Ecrou	4	20235	

6120-066 Hoses and pipes, connection, fixation

[1996-10-23]

Rör-/slangedning, koppl., fastsättning; Rohr/Schlauch/Verschraubung. befestig.; Tuyaux / flexibles raccords

Cold stores; Fryshus; Gefrieranlage; Chambre frigorifique		302 RR B1-B3 305 RR E1-E3	290083 - 301925 290083 - 301925	
Pos	Description	Pcs	Part No	Note
11	Hose(Meter) Slang(Meter); Schlauch(Meter); Tuyau flexible(Metre)		22660	
12	Nipple Nippel; Nippel; Nipple	1	142512-008	
13	Connection Koppling; Kupplung; Raccord	1	28107	
14	Nipple Nippel; Nippel; Nipple	1	142511-008	
15	Clamp Klamma; Rohrschelle; Collier	4	29924	
16	Breathing bag Andningspåse; Atmungsack; Sac de respiration	2	130253	
17	Box Låda; Büchse; Boite	1	148082	
18	Washer Bricka; Scheibe; Rondelle		20404	
19	Nut Mutter; Mutter; Ecrou		20016	
20	Connection Koppling; Kupplung; Raccord	1	139788-018	
21	Connection Koppling; Kupplung; Raccord	1	127927-008	

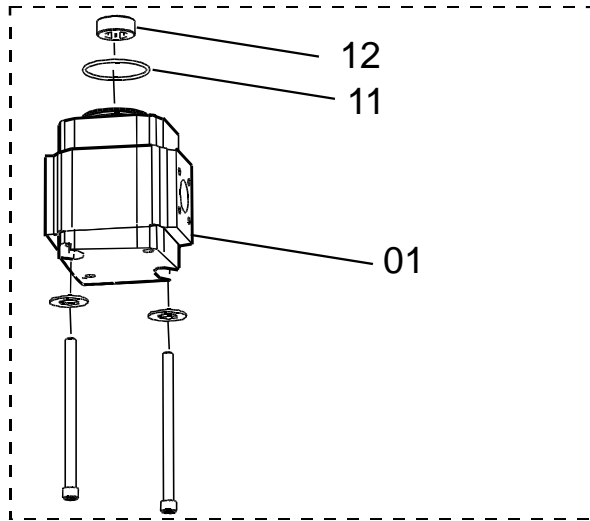
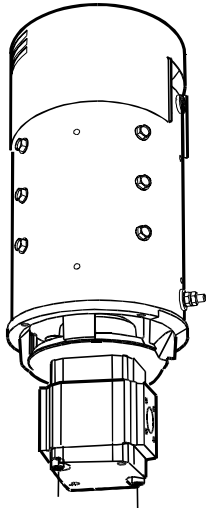
6120-075 Hoses and pipes, connection, fixation

[1997-09-16]

Rör-/slangedning, koppl., fastsättning; Rohr/Schlauch/Verschraubung, befestig.; Tuyaux / flexibles raccords

Pos	Description	Pcs	Part No	Note
			302 RR B1-B3 305 RR E1-E3	290083 - 306400 290083 - 306400
11	Connection Koppling; Kupplung; Raccord	2	21994	
12	Hose(Meter) Slang(Meter); Schlauch(Meter); Tuyau flexible(Metre)		28108	
13	Sealing Tätning; Dichtung; Joint	2	29471	
14	Clamp Klamma; Rohrschelle; Collier	2	151940	
15	Washer Bricka; Scheibe; Rondelle	2	21275	
16	Nut Mutter; Mutter; Ecrou	2	20016	
17	Connection Koppling; Kupplung; Raccord	4	28780	
18	Connector unit Kopplingsstycke; Kupplungsstück; Raccordement	1	145294	
19	Screw Skruv; Schraube; Vis	2	20750	
20	Connection Koppling; Kupplung; Raccord	1	28107	
21	Connection Koppling; Kupplung; Raccord	1	28797	
22	Connection Koppling; Kupplung; Raccord	1	29532	
23	Connection Koppling; Kupplung; Raccord	1	28529	
24	Sealing ring Tätningsring; Dichtungsring; Bague d'étanchéité	1	20517	
25	Connection Koppling; Kupplung; Raccord	1	28804	
26	Connector unit Kopplingsstycke; Kupplungsstück; Raccordement	1	156700	
27	Screw Skruv; Schraube; Vis	2	22288	
28	Washer Bricka; Scheibe; Rondelle	2	22474	
29	Connection Koppling; Kupplung; Raccord	1	28804	
30	Connection Koppling; Kupplung; Raccord	1	28781	
31	Clamp Klamma; Rohrschelle; Collier	2	29811	
32	Screw Skruv; Schraube; Vis	2	20750	
33	Clamp Klamma; Rohrschelle; Collier	2	146753	
34	Screw Skruv; Schraube; Vis	1	28328	
35	Clamp Klamma; Rohrschelle; Collier	1	24647	
36	Connection Koppling; Kupplung; Raccord	1	28804	

6140-005



6140-005 Hydraulic pump
 Hydraulpump; Hydraulikpumpe; Pompe hydraulique

[1996-10-14]

		302 RR B1-B3		265200 - 326472
		305 RR E1-E3		265200 - 326472
Pos	Description	Pcs	Part No	Note
01	Pump Pump; Pump; Pumpe	1	146627	
11	O-ring O-ring; O-ring; Joint torique	1	146628	
12	Connector unit Kopplingsstykke; Kupplungsstück; Raccordement	1	146629	

6270-003 Hose, reel

[1996-09-25]

Slangvinda, vippstycke; Schlauchtrommel, Schwenkkupplung; Enrouleur, joint tournant

Lift height <= 7000 mm; Lyfthöjd <= 7000 mm; Hubhöhe <= 7000 mm; De élévation <= 7000 mm		302 RR B1-B3 305 RR E1-E3	290083 - 326472 290083 - 326472	
Pos	Description	Pcs	Part No	Note
11	Swivel Svivel; Wirbel; Emerillon	1	21876	4-5 Functions, left 4-5 Funktioner, vänster; 4-5 Funktion, links; 4-5 Fonction, gauge
12	Screw Skruv; Schraube; Vis	2	20184	4-5 Functions, left 4-5 Funktioner, vänster; 4-5 Funktion, links; 4-5 Fonction, gauge
13	Washer Bricka; Scheibe; Rondelle	2	20404	4-5 Functions, left 4-5 Funktioner, vänster; 4-5 Funktion, links; 4-5 Fonction, gauge
14	Swivel Svivel; Wirbel; Emerillon	1	21876	4-5 Functions, right 4-5 Funktioner, höger; 4-5 Funktion, recht; 4-5 Fonction, droit
15	Screw Skruv; Schraube; Vis	2	20184	4-5 Functions, right 4-5 Funktioner, höger; 4-5 Funktion, recht; 4-5 Fonction, droit
16	Washer Bricka; Scheibe; Rondelle	2	20404	4-5 Functions, right 4-5 Funktioner, höger; 4-5 Funktion, recht; 4-5 Fonction, droit
17	Bracket Fäste; Halterung; Support	1	154436	4-5 Functions, right 4-5 Funktioner, höger; 4-5 Funktion, recht; 4-5 Fonction, droit
18	Screw Skruv; Schraube; Vis	2	23924	
19	Washer Bricka; Scheibe; Rondelle	2	20348	
20	Hose reel, complete Slangvinda, komplett; Schlauchrolle, Komplet; Roleau de tuyau flexible, complet	1	126910	4-5 Functions, left 4-5 Funktioner, vänster; 4-5 Funktion, links; 4-5 Fonction, gauge
21	Hose reel Slangvinda; Schlauchrolle; Roleau de tuyau flexible	1	22251	4-5 Functions, left 4-5 Funktioner, vänster; 4-5 Funktion, links; 4-5 Fonction, gauge
22	Screw Skruv; Schraube; Vis	6	22337	
23	Washer Bricka; Scheibe; Rondelle	6	21393	
24	Distance piece(Stainless Steel) Distans(Rostfri); Distanz(Nichtrostende); Distance(Inoxydable)	1	109898	
25	Roller Rulle; Rolle; Roleau	1	72138	
26	Spring Fjäder; Feder; Ressort	1	147007	
27	Hub Nav; Nabe; Moyeu	1	22512	
28	Packing set Packningssats; Packungssatz; Jeux d' étanchéité.	1	132276	
29	Hose(Double) Slang(Dubbel); Schlauch(Doppel); Tuyau flexible(Double)	1	22253	
30	Bracket Fäste; Halterung; Support	1	124847	
31	Screw Skruv; Schraube; Vis	4	21935	
32	Washer Bricka; Scheibe; Rondelle	4	20404	
33	Hose reel, complete Slangvinda, komplett; Schlauchrolle, Komplet; Roleau de tuyau flexible, complet	1	126909	4-5 Functions, right 4-5 Funktioner, höger; 4-5 Funktion, recht; 4-5 Fonction, droit
34	Hose reel Slangvinda; Schlauchrolle; Roleau de tuyau flexible	1	22252	4-5 Functions, right 4-5 Funktioner, höger; 4-5 Funktion, recht; 4-5 Fonction, droit
35	Connection Koppling; Kupplung; Raccord	2	28859	

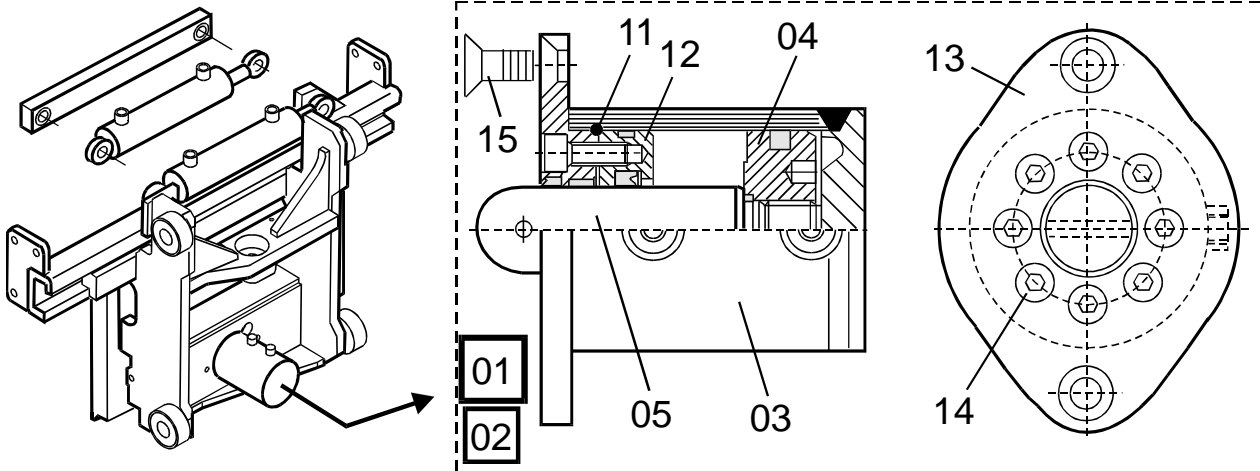
7190-005 Mast carriage, mast fixation points

[1996-10-14]

Stativinfästning; Mastbefestigung / Wagen; Chariot porte-mat / point fixation mat

		302 RR B1-B3 305 RR E1-E3		265200 - 326472 265200 - 326472	
Pos	Description	Pcs	Part No	Note	
11	Screw Skruv; Schraube; Vis	2	29751		
12	Washer Bricka; Scheibe; Rondelle	2	20367		
13	Shim(Pcs as needed) Shims(Antal efter behov); Schim(Anzahl nach bedarf); Cale(Nombre éligible)	4	133814		
14	Screw Skruv; Schraube; Vis	4	26795		
15	Washer Bricka; Scheibe; Rondelle	4	20508		
16	Bracket Fäste; Halterung; Support	2	140753		
17	Cylinder pin Cylindrisk pinne; Zylinderstift; Goupille cylindre	2	23925		
18	Shim Shims; Schim; Cale	4	141241		
19	Screw Skruv; Schraube; Vis	4	147479		
20	Guide Styrning; Steuerung; Guidage	4	135522		
21	Adjusting piece Justerstycke; Einstell stück; Pieces de reguleur	4	140763		
22	Roller(Complete) Rulle(Komplett); Rolle(Komplett); Roleau(Complett)	4	29561		
23	Locking ring Spärring; Schliessring; Circlip	4	20011		
24	Washer Bricka; Scheibe; Rondelle	4	105396		

7320-006



7320-006 Tilt cylinders

Tiltcylinder; Neigezylinder; Vérin d'inclinaison

[1998-02-16]

With side shift; Med sideshiftaggregat; Mit Seitenwechselgerät; Avec déplacement latéral		302 RR B1-B3	290083 - 326472	
		305 RR E1-E3	290083 - 326472	
Pos	Description	Pcs	Part No	Note
01	Tilting cylinder(Complete) Tiltcylinder(Komplett); Neigezylinder(Komplett); Verin de inclination(Comple)	1	152759	
02	Packing set Packningssats; Packungssatz; Jeux d'étanchéité.	1	154465	
03	Cylinder pipe Cylinderrör; Zylinderrohr; Tube de cylindre	1	154894	
04	Piston Kolv; Kolben; Piston	1	154893	
05	Piston rod Kolvstång; Kolbenstange; Tige de piston	1	154892	
11	Locking wire Låstråd; Schlossdraht; Cheville	1	154897	
12	Top guide Toppstyrning; Topsteuerung; Guide de sommet	1	154895	
13	Cap Lock; Deckel; Couvercle	1	154896	
14	Screw Skruv; Schraube; Vis	8	29939	
15	Screw Skruv; Schraube; Vis	2	20401	

CLICK HERE TO **DOWNLOAD** THE COMPLETE MANUAL

- Thank you very much for reading the preview of the manual.
- You can download the complete manual from: www.heydownloads.com by clicking the link below



- Please note: If there is no response to CLICKING the link, please download this PDF first and then click on it.

CLICK HERE TO **DOWNLOAD** THE COMPLETE MANUAL