



Quality Parts

RR B1 / B2 / B3 / E1 / E2 / E3 / (C) / 15 (AC) (ACi)

Valid for machine number..... 352976AA-

Only valid for machine number.....

--	--	--	--	--	--	--	--	--	--

Ordering number 176997

Date 2000-01-24 / ESDf

Language..... GB; SE; DE; FR

CLICK HERE TO **DOWNLOAD** THE COMPLETE MANUAL

- Thank you very much for reading the preview of the manual.
- You can download the complete manual from: www.heydownloads.com by clicking the link below



- Please note: If there is no response to CLICKING the link, please download this PDF first and then click on it.

CLICK HERE TO **DOWNLOAD** THE COMPLETE MANUAL

Quality Parts

6320-020	Mast hydraulic lines Stativhydraulledning; Hydraulikleitungen Hubeinrichtung; Circuits hydrauliques mât	RR B2, B3, E2, E3, N2, N3
6370-004	Mast hose reel/ swivel joint Stativslangvinda/ vippstycke; Schlauchtrommel, Schwenkkupplung Hubeinrichtung; Enrouleur/ joint tournant mât	Lift height < = 7000 mm
6370-005	Mast hose reel/ swivel joint Stativslangvinda/ vippstycke; Schlauchtrommel, Schwenkkupplung Hubeinrichtung; Enrouleur/ joint tournant mât	Lift height = 7500 mm - 9000 mm
6610-015	Main lift cylinders Huvudlyftcylindrar; Haupthubzylinder; Vérin de levage, principal	RR B1, E1, N1
6610-016	Main lift cylinders Huvudlyftcylindrar; Haupthubzylinder; Vérin de levage, principal	RR B2, B3, E2, E3, N2, N3
6620-006	Free lift cylinder Frilyftscylinder; Freihubzylinder; Vérin de levée libre	RR B1, E1, N1
6620-007	Free lift cylinder Frilyftscylinder; Freihubzylinder; Vérin de levée libre	RR B2, B3, E2, E3, N2, N3
6650-001	Reach/telescopic cylinders Utskjut-/teleskopcylinder; Vorschub-/Teleskopzylinder; Vérin de rétraction/téléscopique	
6660-002	Tilt cylinders Tiltcylinder; Neigezylinder; Vérin d'inclinaison	With side shift
6660-003	Tilt cylinders Tiltcylinder; Neigezylinder; Vérin d'inclinaison	Without side shift
6660-004	Tilt cylinders Tiltcylinder; Neigezylinder; Vérin d'inclinaison	Tilt cylinder - Cabin ERGO-REX
6670-002	Other hydraulic cylinders Övriga hydraulcylindrar; Übrige hydraul. Zylinder; Autres vérins hydrauliques	Sideshift

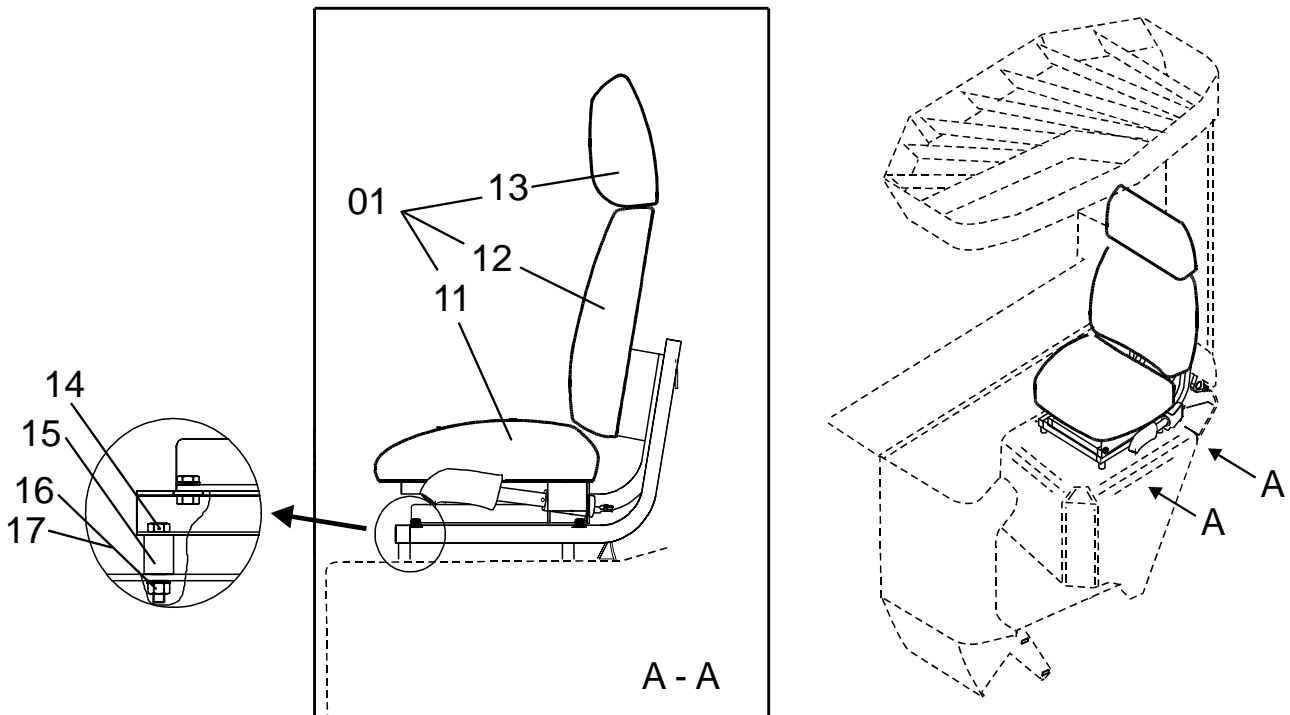
0390-018 Battery compartment parts

[1997-06-09]

Batteriutrymmesdelar; Batterieraumteile; Pièce de compartiment batterie

		403 RR B1-B3		301518 -	
Pos	Description	Pcs	Part No	Note	
11	Key(L = 263 mm, M = 47 mm) Kil; Keil; Clavette	1	147969-010		
11	Key(L = 411 mm, M = 47 mm) Kil; Keil; Clavette	1	147969-030		
11	Key(L = 263 mm, M = 44 mm) Kil; Keil; Clavette	1	85245	Roller bed Rullplan; Rollentisch; Train de rouleaux	
11	Key(L = 411 mm, M = 44 mm) Kil; Keil; Clavette	1	85257	Roller bed Rullplan; Rollentisch; Train de rouleaux	
12	Key(L = 263 mm, M = 47 mm) Kil; Keil; Clavette	1	147970-010		
12	Key(L = 411 mm, M = 47 mm) Kil; Keil; Clavette	1	147970-030		
12	Key(L = 263 mm, M = 44 mm) Kil; Keil; Clavette	1	85244	Roller bed Rullplan; Rollentisch; Train de rouleaux	
12	Key(L = 411 mm, M = 44 mm) Kil; Keil; Clavette	1	85256	Roller bed Rullplan; Rollentisch; Train de rouleaux	
13	Axle Axel; Achse; Axe	2	105393		
14	Screw Skruv; Schraube; Vis	2	20259		
15	Catch Spärr; Sperre; Arret	1	141467		
16	Bush Bussning; Bague; Bague	1	44110		
17	Screw(Stainless Steel) Skruv(Rostfri); Schraube(Nichtrostende); Vis(Inoxydable)	1	126733	Cold stores Fryshus; Gefrieranlage; Chambre frigorifique	
17	Screw Skruv; Schraube; Vis	1	65958		
18	Spring(Stainless Steel) Fjäder(Rostfri); Feder(Nichtrostende); Ressort(Inoxydable)	1	109909	Cold stores Fryshus; Gefrieranlage; Chambre frigorifique	
18	Spring Fjäder; Feder; Ressort	1	53037		
19	Screw Skruv; Schraube; Vis	1	28344		
20	Screw Skruv; Schraube; Vis	1	21503		
21	Nut Mutter; Mutter; Ecrou	1	20249		
22	Nut Mutter; Mutter; Ecrou	1	20045		
23	Plate(N = 48 mm) Plåt; Platte; Plaque	1	146232	RR B2-B3	
23	Plate(N = 45 mm) Plåt; Platte; Plaque	1	146324-010	RR N2	
23	Plate(N = 135 mm) Plåt; Platte; Plaque	1	146324-030	RR N3	
23	Plate(N = 123 mm) Plåt; Platte; Plaque	1	147743	RR B2-B3	
24	Roller(Complete) Rulle(Komplett); Rolle(Komplett); Roleau(Complet)	4	85246-286	K = 277 mm	
24	Roller(Complete) Rulle(Komplett); Rolle(Komplett); Roleau(Complet)	4	85246-355	K = 346 mm	
24	Roller(Complete) Rulle(Komplett); Rolle(Komplett); Roleau(Complet)	4	85246-429	K = 420 mm	
24	Roller(Complete) Rulle(Komplett); Rolle(Komplett); Roleau(Complet)	4	85246-440	K = 431 mm	

0620-004



0620-004 Seat, cushions

[1996-11-21]

Förarstol, dynor; Fahrersitz, Kissen; Siège, coussins de siège/dossier

Cabin tilt ERGO - REX; Hyttilt ERGO - REX; Umklappbar Kabinen ERGO - REX; Cabine oscillant ERGO - REX		409 RR E1-E3		301518 -
Pos	Description	Pcs	Part No	Note
01	Seat with spring system cpl. Stol fjädrande kpl.; Sitz mit Federung Kpl.; Siège avec suspension à ressort cpl.	1	137582-001	
01	Seat with spring system cpl.(Heated 48V) Stol fjädrande kpl.(El-uppvärmd 48V); Sitz mit Federung Kpl.(Erwärmung 48V); Siège avec suspension à ressort cpl.(Chauffage él 48V)	1	137582-002	
11	Seat cushion Sitt dyna; Sitzkissen; Siège	1	138194	
11	Seat cushion(Heated 48V) Sitt dyna(El-uppvärmd 48V); Sitzkissen(Erwärmung 48V); Siège(Chauffage él 48V)	1	150439	
12	Back rest Ryggdyna; Rückenlehne; Dossier	1	138196	
12	Back rest(Heated 48V) Ryggdyna(El-uppvärmd 48V); Rückenlehne(Erwärmung 48V); Dossier(Chauffage él 48V)	1	150438	
13	Head rest Nackstöd; Nackenstütze; Couvre-naque	1	138197	
14	Screw Skruv; Schraube; Vis	4	21159	
15	Distance piece Distans; Distanz; Distance	4	146334	
16	Washer Bricka; Scheibe; Rondelle	4	22553	
17	Nut Mutter; Mutter; Ecrou	4	20016	

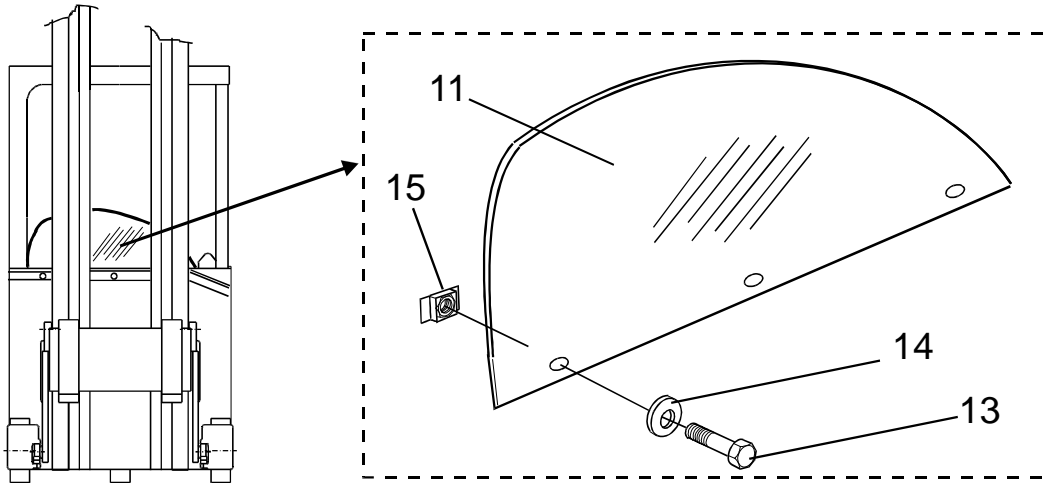
0640-033 Driver controls (mechanical)

[1998-05-14]

Förrarreglage (mekaniskt); Bedienungselemente (mech.); Commandes (mécaniques)

With travel direction switch; Med färdväljare; Mit Richtungsschalter; Avec micro de direction		403 RR B1-B3 409 RR E1-E3	301518 - 301518 -	
Pos	Description	Pcs	Part No	Note
11	Pedal unit compl. Pedalställ kompl.; Pedalsatz Kompl.; Unité de pédale compl.	1	186099	
12	Axle Axel; Achse; Axe	1	185532	
13	Bush Bussning; Bague; Bague	1	185747	
14	Washer Bricka; Scheibe; Rondelle	1	20404	
15	Spring Fjäder; Feder; Ressort	1	185706	
16	Clip nut(Including axle) Låsclips(Med axel); Schlitzmutter(Mit Achse); Tôle de écrou(Avec axe)	1	185704	
17	Bracket Fäste; Halterung; Support	1	185703	
18	Spring Fjäder; Feder; Ressort	1	29791	
19	Pedal Pedal; Pedal; Pédale	1	186100	
20	Pedal rubber Pedalgummi; Pedalgummi; Caoutchouc de pedale	1	53201	
23	Axle Axel; Achse; Axe	1	185722	
24	Bush Bussning; Bague; Bague	4	185700	
25	Washer Bricka; Scheibe; Rondelle	2	20348	
26	Nut Mutter; Mutter; Ecrou	2	20045	
27	Nut Mutter; Mutter; Ecrou	1	20235	
28	Consol Konsol; Konsole; Console	1	185713	
29	Axle Axel; Achse; Axe	1	185724	
30	Link Länk; Gelenk; Bras	2	185698	
31	Nut Mutter; Mutter; Ecrou	3	21094	
32	Arm Arm; Arm; Bras	2	185728	
33	Locking pin Spännstift; Spannstift; Goupille	2	20049	
34	Nut Mutter; Mutter; Ecrou	4	25699	
35	Washer Bricka; Scheibe; Rondelle	8	21035	
36	Support Stöd; Stütze; Appui	2	185925	
37	Screw Skruv; Schraube; Vis	4	27872	
38	Potentiometer Potentiometer; Potentiometer; Potentiometre	2	156276	
39	Axle Axel; Achse; Axe	2	185723	
40	Screw Skruv; Schraube; Vis	4	28511	
41	Pedal(Complete) Pedal(Komplett); Pedal(Komplett); Pédale(Complet)	1	186097	
42	Consol Konsol; Konsole; Console	1	186096	

0820-010



0820-010 Finger/foot guards

[1996-12-20]

Finger-/fotskydd; Finger-/ Fusschutz; Protection de doigts/pieds anti-écrasement

		403 RR B1-B3		301518 -	
Pos	Description	Pcs	Part No	Note	
11	Finger cover Fingerskydd; Fingerschutz; Protège main	1	145274		
13	Screw Skruv; Schraube; Vis	3	20351		
14	Washer Bricka; Scheibe; Rondelle	3	42993		
15	Nut Mutter; Mutter; Ecrou	3	28930		

1710-007 Electric pump motor

[1999-02-09]

Elektrisk pumpmotor; Elektro-Pumpenmotor; Moteur de pompe électrique

		403 RR B1-B3 409 RR E1-E3		336097 - 336097 -	
Pos	Description	Pcs	Part No	Note	
01	Motor(Complete) Motor(Komplett); Motor(Komplett); Moteur(Complet)	1	170433-150		
11	Screw Skruv; Schraube; Vis	3	20050		
12	Protection Skydd; Schutz; Protègee	1	170432		
13	Shield Sköld; Schild; Bouclier	1	170425		
14	Screw Skruv; Schraube; Vis	4	160913-305		
15	Washer Bricka; Scheibe; Rondelle	1	170566		
16	Ball bearing Kullager; Kugellager; Roulement a billes	1	160918		
17	Stator Stator; Ständer; Stator	1	160916-150		
18	Contact housing Kontaktus; Kontaktvorrichtung; Engrenage de mise en action	1	159221-002		
19	Plug Stift; Stift; Fiche	2	159223-002		
20	Sealing Tätning; Dichtung; Joint	2	159224-002		
21	Bracket Fäste; Halterung; Support	1	170383		
22	Bracket Fäste; Halterung; Support	1	170430		
23	Rotor Rotor; Rotor; Rotor	1	170427		
24	Cap Lock; Deckel; Couvercle	1	170429		
25	Bearing Lager; Lager; Roulement	1	28887		
26	Stay ring Stödring; Stutzring; Anneau de support	1	161035		
27	Locking ring Spärring; Schliessring; Circlip	3	20008		
28	Shield Sköld; Schild; Bouclier	1	170426		
29	Sealing Tätning; Dichtung; Joint	1	161658		
30	Nut Mutter; Mutter; Ecrou	4	20433		
31	Screw Skruv; Schraube; Vis	3	170435		
32	Washer Bricka; Scheibe; Rondelle	3	20375		
33	Nut Mutter; Mutter; Ecrou	3	20081		
34	Washer Bricka; Scheibe; Rondelle	3	22528		
35	Terminal board Uttagsplint; Klemmbrett; Borne	1	170373		
36	Screw Skruv; Schraube; Vis	2	161038		
37	Sensor(Temperature) Givare(Temperatur); Geber(Temperatur); Capteur(Température)	1	170384		

2550-016 Mechanical drive gear unit

[1999-10-06]

Drivaggregat/-växel; Antriebsaggregat/-getriebe; Groupe de traction, réducteur

Pos	Description	Pcs	Part No	Note
			403 RR B1-B3 409 RR E1-E3	301518 - 301518 -
01	Driving gear compl. Drivväxel kompl.; Antriebsatz kompl.; Groupe de entraînement compl.	1	151079	
11	Screw Skruv; Schraube; Vis	2	26327	
12	Washer Bricka; Scheibe; Rondelle	1	27213	
13	Screw Skruv; Schraube; Vis	1	27212	
14	Screw Skruv; Schraube; Vis	6	20078	
16	Screw Skruv; Schraube; Vis	8	23932	
17	Screw Skruv; Schraube; Vis	2	28344	
18	Gear wheel Kuggjul; Zahnrad; Roue dentée	1	150898	
19	Spare part kit : Bevel gear Reservdelssats : Koniskt kuggjul; Satz : Kegelrad; Jeux : Roue conique à denture droite	1	150890	
20	Protection Skydd; Schutz; Protègee	1	150901	
21	Screw Skruv; Schraube; Vis	7	150881	
22	Axle Axel; Achse; Axe	1	150889	
23	Sealing Tätning; Dichtung; Joint	1	29889	
24	Shim(0,05 mm) Shims; Schim; Cale		150905-001	
24	Shim(0,1mm) Shims; Schim; Cale		150905-002	
24	Shim(0,2 mm) Shims; Schim; Cale		150905-003	
24	Shim(0,3 mm) Shims; Schim; Cale		150905-004	
24	Shim(0,5 mm) Shims; Schim; Cale		150905-005	
25	Roller bearing Rullager; Rollenlager; Palier à rouleaux	1	29863	
26	Shim(0,05 mm) Shims; Schim; Cale		150904-001	
26	Shim(0,1mm) Shims; Schim; Cale		150904-002	
26	Shim(0,2 mm) Shims; Schim; Cale		150904-003	
26	Shim(0,3 mm) Shims; Schim; Cale		150904-004	
26	Shim(0,5 mm) Shims; Schim; Cale		150904-005	
27	Roller bearing Rullager; Rollenlager; Palier à rouleaux	1	29864	
28	O-ring O-ring; O-ring; Joint torique	1	29887	
29	Washer Bricka; Scheibe; Rondelle	1	150900	
30	Nut Mutter; Mutter; Ecrou	1	139714	
31	Cap Lock; Deckel; Couvercle	1	150896	
32	Roller bearing Rullager; Rollenlager; Palier à rouleaux	1	20624	

CLICK HERE TO **DOWNLOAD** THE COMPLETE MANUAL

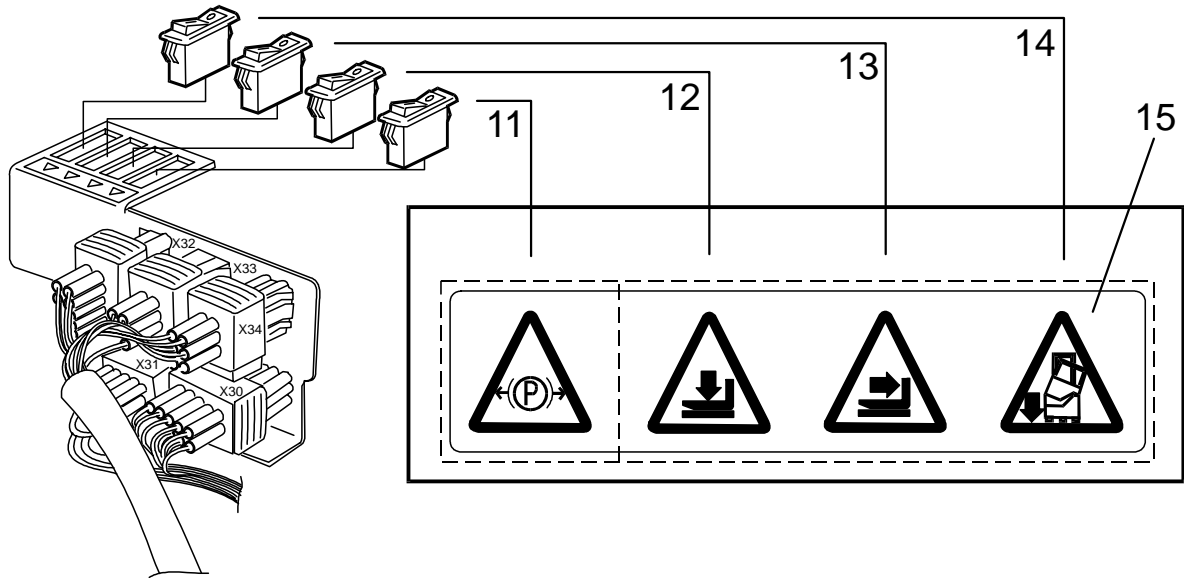
- Thank you very much for reading the preview of the manual.
- You can download the complete manual from: www.heydownloads.com by clicking the link below



- Please note: If there is no response to CLICKING the link, please download this PDF first and then click on it.

CLICK HERE TO **DOWNLOAD** THE COMPLETE MANUAL

5830-026



5830-026 Safety probes/ sensors

[1999-03-02]

Säkerhets-givare/-sensorer; Sicherheitsgeber/-sensor; Capteurs de sécurité

Pos	Description	Pcs	Part No	Note
11	Switch Brytare; Schalter; Rupteur	1	159834	
12	Switch Brytare; Schalter; Rupteur	1	159835	
13	Switch Brytare; Schalter; Rupteur	1	159834	
14	Switch Brytare; Schalter; Rupteur	1	159835	
15	Sign Skylt; Schild; Vignette	1	159858	

6230-025 Hydraulic lines chassis

[1999-11-02]

Chassimonterade hydraulledning; Hydraulikleitungen Chassis; Circuits hydrauliques châssis

Pos	Description	Pcs	Part No	Note
			403 RR B1-B3 409 RR E1-E3	349249 - 349249 -
11	Connection Koppling; Kupplung; Raccord	1	127927-008	
12	Connection Koppling; Kupplung; Raccord	1	139788-018	
13	Hose(Meter) Slang(Meter); Schlauch(Meter); Tuyau flexible(Metre)		28108	
14	Connection Koppling; Kupplung; Raccord	1	22960	
15	Hose Slang; Schlauch; Tuyau flexible	1	142469-001	
16	Plug Propp; Pfropfen; Bouchon	1	20288	
17	Hollow screw Hålskruv; Hohlschraube; Vis à torage	1	29639	
18	Sealing Tätning; Dichtung; Joint	2	22944	
19	Hose Slang; Schlauch; Tuyau flexible	1	142464-001	
21	Screw Skruv; Schraube; Vis	2	20871	
22	Clamp Klamma; Rohrschelle; Collier	2	164218	
23	Screw Skruv; Schraube; Vis	2	20928	
24	Nut Mutter; Mutter; Ecrou	2	20433	
26	List(Meter) List(Meter); Leiste(Meter); Bande(Metre)		21762	
27	Screw Skruv; Schraube; Vis	2	21935	
28	Washer Bricka; Scheibe; Rondelle	2	21275	
29	Clamp Klamma; Rohrschelle; Collier	2	145025	
30	Clamp Klamma; Rohrschelle; Collier	1	151940	
31	Screw Skruv; Schraube; Vis	1	21935	
32	Washer Bricka; Scheibe; Rondelle	1	21275	
33	Clamp Klamma; Rohrschelle; Collier	1	152144	
34	Washer Bricka; Scheibe; Rondelle	2	20404	
35	Screw Skruv; Schraube; Vis	2	20031	
36	Protection(Meter) Skydd(Meter); Schutz(Meter); Protège(Metre)		29946	
37	Hose Slang; Schlauch; Tuyau flexible	1	142469-001	
38	Connection Koppling; Kupplung; Raccord	1	28064	
39	Hose Slang; Schlauch; Tuyau flexible	1	142462-001	
40	Hose protection(Meter) Slangskydd(Meter); Schlauchschutz(Meter); Protection de tuyau flexible(Metre)		145409	
41	Connection Koppling; Kupplung; Raccord	1	28261	
42	Hose Slang; Schlauch; Tuyau flexible	1	142463-001	

6320-011 Mast hydraulic lines

[1999-03-02]

Stativhydraulledningar; Hydraulikleitungen Hubeinrichtung; Circuits hydrauliques mât

2 Extra functions 2 hose reels; 2 Extra funktion 2 slangvindor; 2 Extra funktion 2 Schlauchrollen; 2 Extrafunktion 2 roleau de tuyau		403 RR B1-B3 409 RR E1-E3	336097 - 336097 -	
Pos	Description	Pcs	Part No	Note
11	Hose Slang; Schlauch; Tuyau flexible	1	143709-001	
12	Hose Slang; Schlauch; Tuyau flexible	1	143708-001	
13	Hose Slang; Schlauch; Tuyau flexible	1	146875-001	Lift height < = 5400 mm Lyfthöjd < = 5400 mm; Hubhöhe < = 5400 mm; De élévation < = 5400 mm
13	Hose Slang; Schlauch; Tuyau flexible	1	146875-002	5400 mm < lift height < = 6300 mm 5400 mm < lyfthöjd < = 6300 mm; 5400 mm < Hubhöhe < = 6300 mm; 5400 mm < de élévation < = 6300 mm
13	Hose Slang; Schlauch; Tuyau flexible	1	146875-003	6300 mm < lift height < = 8000 mm 6300 mm < lyfthöjd < = 8000 mm; 6300 mm < Hubhöhe < = 8000 mm; 6300 mm < de élévation < = 8000 mm
13	Hose Slang; Schlauch; Tuyau flexible	1	146875-004	Lift height, over 8000 mm Lyfthöjd, över 8000 mm; Hubhöhe, über 8000 mm; De élévation, dessus 8000 mm
14	Hose Slang; Schlauch; Tuyau flexible	1	146876-001	Lift height < = 5400 mm Lyfthöjd < = 5400 mm; Hubhöhe < = 5400 mm; De élévation < = 5400 mm
14	Hose(L = 2700 mm) Slang; Schlauch; Tuyau flexible	1	146876-002	5400 mm < lift height < = 6300 mm 5400 mm < lyfthöjd < = 6300 mm; 5400 mm < Hubhöhe < = 6300 mm; 5400 mm < de élévation < = 6300 mm
14	Hose Slang; Schlauch; Tuyau flexible	1	146876-004	6300 mm < lift height < = 8000 mm 6300 mm < lyfthöjd < = 8000 mm; 6300 mm < Hubhöhe < = 8000 mm; 6300 mm < de élévation < = 8000 mm
14	Hose(L = 3700 mm) Slang; Schlauch; Tuyau flexible	1	146876-005	Lift height, over 8000 mm Lyfthöjd, över 8000 mm; Hubhöhe, über 8000 mm; De élévation, dessus 8000 mm
15	Hose Slang; Schlauch; Tuyau flexible	2	146863-001	Lift height < = 5400 mm Lyfthöjd < = 5400 mm; Hubhöhe < = 5400 mm; De élévation < = 5400 mm
15	Hose Slang; Schlauch; Tuyau flexible	2	146863-002	5400 mm < lift height < = 6300 mm 5400 mm < lyfthöjd < = 6300 mm; 5400 mm < Hubhöhe < = 6300 mm; 5400 mm < de élévation < = 6300 mm
15	Hose Slang; Schlauch; Tuyau flexible	2	146863-003	6300 mm < lift height < = 8000 mm 6300 mm < lyfthöjd < = 8000 mm; 6300 mm < Hubhöhe < = 8000 mm; 6300 mm < de élévation < = 8000 mm
15	Hose Slang; Schlauch; Tuyau flexible	2	146863-004	Lift height, over 8000 mm Lyfthöjd, över 8000 mm; Hubhöhe, über 8000 mm; De élévation, dessus 8000 mm
16	Clamp Klamma; Rohrschelle; Collier	1	145025	

6320-020 Mast hydraulic lines

[1999-03-03]

Stativhydraulledningar; Hydraulikleitungen Hubeinrichtung; Circuits hydrauliques mât

RR B2, B3, E2, E3, N2, N3		403 RR B1-B3 409 RR E1-E3	336097 - 336097 -	
Pos	Description	Pcs	Part No	Note
11	Hose(+ Cable) Slang(+ Kabel); Schlauch(+ Kabel); Tuyau flexible(+ Câble)	1	164114-440	
11	Hose(+ Cable) Slang(+ Kabel); Schlauch(+ Kabel); Tuyau flexible(+ Câble)	1	164114-480	
11	Hose(+ Cable) Slang(+ Kabel); Schlauch(+ Kabel); Tuyau flexible(+ Câble)	1	164114-540	
11	Hose(+ Cable) Slang(+ Kabel); Schlauch(+ Kabel); Tuyau flexible(+ Câble)	1	164114-570	
11	Hose(+ Cable) Slang(+ Kabel); Schlauch(+ Kabel); Tuyau flexible(+ Câble)	1	164115-630	
11	Hose(+ Cable) Slang(+ Kabel); Schlauch(+ Kabel); Tuyau flexible(+ Câble)	1	164115-700	
11	Hose(+ Cable) Slang(+ Kabel); Schlauch(+ Kabel); Tuyau flexible(+ Câble)	1	164115-750	
11	Hose(+ Cable) Slang(+ Kabel); Schlauch(+ Kabel); Tuyau flexible(+ Câble)	1	164115-800	
11	Hose(+ Cable) Slang(+ Kabel); Schlauch(+ Kabel); Tuyau flexible(+ Câble)	1	164115-850	
11	Hose(+ Cable) Slang(+ Kabel); Schlauch(+ Kabel); Tuyau flexible(+ Câble)	1	164115-900	
11	Hose(+ Cable) Slang(+ Kabel); Schlauch(+ Kabel); Tuyau flexible(+ Câble)	1	164115-950	
12	Hose(+ Cable) Slang(+ Kabel); Schlauch(+ Kabel); Tuyau flexible(+ Câble)	1	157609-440	TV - Camera (fork) TV - Kamera (gaffel); TV - Kamera (Gabel); TV - Caméra (fourche)
12	Hose(+ Cable) Slang(+ Kabel); Schlauch(+ Kabel); Tuyau flexible(+ Câble)	1	157609-480	TV - Camera (fork) TV - Kamera (gaffel); TV - Kamera (Gabel); TV - Caméra (fourche)
12	Hose(+ Cable) Slang(+ Kabel); Schlauch(+ Kabel); Tuyau flexible(+ Câble)	1	157609-540	TV - Camera (fork) TV - Kamera (gaffel); TV - Kamera (Gabel); TV - Caméra (fourche)
12	Hose(+ Cable) Slang(+ Kabel); Schlauch(+ Kabel); Tuyau flexible(+ Câble)	1	157609-570	TV - Camera (fork) TV - Kamera (gaffel); TV - Kamera (Gabel); TV - Caméra (fourche)
12	Hose(+ Cable) Slang(+ Kabel); Schlauch(+ Kabel); Tuyau flexible(+ Câble)	1	158371-630	TV - Camera (fork) TV - Kamera (gaffel); TV - Kamera (Gabel); TV - Caméra (fourche)
12	Hose(+ Cable) Slang(+ Kabel); Schlauch(+ Kabel); Tuyau flexible(+ Câble)	1	158371-700	TV - Camera (fork) TV - Kamera (gaffel); TV - Kamera (Gabel); TV - Caméra (fourche)
12	Hose(+ Cable) Slang(+ Kabel); Schlauch(+ Kabel); Tuyau flexible(+ Câble)	1	158371-750	TV - Camera (fork) TV - Kamera (gaffel); TV - Kamera (Gabel); TV - Caméra (fourche)
12	Hose(+ Cable) Slang(+ Kabel); Schlauch(+ Kabel); Tuyau flexible(+ Câble)	1	158371-800	TV - Camera (fork) TV - Kamera (gaffel); TV - Kamera (Gabel); TV - Caméra (fourche)
12	Hose(+ Cable) Slang(+ Kabel); Schlauch(+ Kabel); Tuyau flexible(+ Câble)	1	158371-850	TV - Camera (fork) TV - Kamera (gaffel); TV - Kamera (Gabel); TV - Caméra (fourche)
12	Hose(+ Cable) Slang(+ Kabel); Schlauch(+ Kabel); Tuyau flexible(+ Câble)	1	158371-900	TV - Camera (fork) TV - Kamera (gaffel); TV - Kamera (Gabel); TV - Caméra (fourche)

6370-005 Mast hose reel/ swivel joint

[1999-03-02]

Stativslangvinda/ vippstycke; Schlauchtrommel, Schwenkkupplung Hubeinrichtung; Enrouleur/ joint tournant mât

Lift height = 7500 mm - 9000 mm; Lyfthöjd = 7500 mm - 9000 mm; Hubhöhe = 7500 mm - 9000 mm; De élévation = 7500 mm - 9000 mm		403 RR B1-B3 409 RR E1-E3	336097 - 336097 -	
Pos	Description	Pcs	Part No	Note
11	Swivel Svivel; Wirbel; Emerillon	1	21876	4-5 Functions, left 4-5 Funktioner, vänster; 4-5 Funktion, links; 4-5 Fonction, gauge
12	Screw Skruv; Schraube; Vis	2	20184	4-5 Functions, left 4-5 Funktioner, vänster; 4-5 Funktion, links; 4-5 Fonction, gauge
13	Washer Bricka; Scheibe; Rondelle	2	20404	4-5 Functions, left 4-5 Funktioner, vänster; 4-5 Funktion, links; 4-5 Fonction, gauge
14	Swivel Svivel; Wirbel; Emerillon	1	21876	4-5 Functions, right 4-5 Funktioner, höger; 4-5 Funktion, recht; 4-5 Fonction, droit
15	Screw Skruv; Schraube; Vis	2	20184	4-5 Functions, right 4-5 Funktioner, höger; 4-5 Funktion, recht; 4-5 Fonction, droit
16	Washer Bricka; Scheibe; Rondelle	2	20404	4-5 Functions, right 4-5 Funktioner, höger; 4-5 Funktion, recht; 4-5 Fonction, droit
17	Bracket Fäste; Halterung; Support	1	154436	4-5 Functions, right 4-5 Funktioner, höger; 4-5 Funktion, recht; 4-5 Fonction, droit
18	Screw Skruv; Schraube; Vis	2	23924	
19	Washer Bricka; Scheibe; Rondelle	2	20348	
20	Hose reel, complete Slangvinda, komplett; Schlauchrolle, Komplet; Roleau de tuyau flexible, complet	1	142876	4 Sections, left 4 Sectioner, vänster; 4 Sectioner, links; 4 Sections, gauge
21	Hose reel Slangvinda; Schlauchrolle; Roleau de tuyau flexible	1	139337-001	4-5 Functions, left 4-5 Funktioner, vänster; 4-5 Funktion, links; 4-5 Fonction, gauge
22	Screw Skruv; Schraube; Vis	6	22337	
23	Washer Bricka; Scheibe; Rondelle	6	21393	
24	Distance piece(Stainless Steel) Distans(Rostfri); Distanz(Nichtrostende); Distance(Inoxydable)	1	109898	
25	Roller Rulle; Rolle; Roleau	1	72138	
26	Spring Fjäder; Feder; Ressort	1	147007	
27	Hub Nav; Nabe; Moyeu	1	142856	
28	Packing set Packningssats; Packungssatz; Jeux d' étanchéité.	1	132276	
29	Hose(Double) Slang(Dubbel); Schlauch(Doppel); Tuyau flexible(Double)	1	29648	
30	Bracket Fäste; Halterung; Support	1	130322	
31	Screw Skruv; Schraube; Vis	4	21935	
32	Washer Bricka; Scheibe; Rondelle	4	20404	
33	Hose reel, complete Slangvinda, komplett; Schlauchrolle, Komplet; Roleau de tuyau flexible, complet	1	142877	4 Sections, right 4 Sektioner, höger; 4 Sektion, recht; 4 Section, droit
34	Hose reel Slangvinda; Schlauchrolle; Roleau de tuyau flexible	1	139337-002	4-5 Functions, right 4-5 Funktioner, höger; 4-5 Funktion, recht; 4-5 Fonction, droit
35	Connection Koppling; Kupplung; Raccord	2	28859	

6660-004 Tilt cylinders

[1999-03-03]

Tiltcylinder; Neigezylinder; Vérin d'inclinaison

Tilt cylinder - Cabin ERGO-REX; Tiltcylinder - Hytt ERGO-REX; Neigezylinder - Kabinen ERGO-REX; Verin d'inclinaison - Cabine ERGO-REX		409 RR E1-E3		336097 -	
Pos	Description	Pcs	Part No	Note	
11	Tilting cylinder Tiltcylinder; Neigezylinder; Verin de inclination	1	148241		
12	Stay Stag; Stütze; Fil d'ancrage	1	158057		
13	Nut Mutter; Mutter; Ecrou	1	157172		
14	Spring Fjäder; Feder; Ressort	1	158028		
15	Bush Bussning; Bague; Bague	1	147544		
16	Link bracket Länkhuvud; Gelenkbefestigung; Attache de bras articulé	1	158027		
17	Bracket Fäste; Halterung; Support	1	149037		
18	Bracket Fäste; Halterung; Support	1	145990		
19	Screw Skruv; Schraube; Vis	4	145988		
20	Bush Bussning; Bague; Bague	4	29756		
21	Screw Skruv; Schraube; Vis	2	28333		
22	Washer Bricka; Scheibe; Rondelle	4	20348		
23	Nut Mutter; Mutter; Ecrou	2	20045		
24	Split pin Hårnålssprint; Splint; Goupiller	1	28925		
25	Packing set Packningssats; Packungssatz; Jeux d'étanchéité.	1	147717		
26	Rod Stång; Stange; Tige	1	157543		
27	Bearing Lager; Lager; Roulement	1	29757		
28	Washer Bricka; Scheibe; Rondelle	2	20348		
29	Nut Mutter; Mutter; Ecrou	1	20130		

7120-062 Main lift chain system

[1999-03-24]

Huvudlyftkedjesystem; Haupthubkettensystem; Système de chaîne de levage mâit principal

RR B1, E1, N1		403 RR B1-B3 409 RR E1-E3	336097 - 336097 -	
Pos	Description	Pcs	Part No	Note
19	Chain complete Kedja komplett; Ketten komplett ; Chaîne complete	1	151072-440	
19	Chain complete Kedja komplett; Ketten komplett ; Chaîne complete	1	151072-480	
19	Chain complete Kedja komplett; Ketten komplett ; Chaîne complete	1	151072-540	
19	Chain complete Kedja komplett; Ketten komplett ; Chaîne complete	1	151072-570	
19	Chain complete Kedja komplett; Ketten komplett ; Chaîne complete	1	151072-630	
19	Chain complete Kedja komplett; Ketten komplett ; Chaîne complete	1	151072-700	
19	Chain complete Kedja komplett; Ketten komplett ; Chaîne complete	1	151072-750	
20	Nut Mutter; Mutter; Ecrou	1	20390	
21	Chain bolt Kedjebult; Kettenbolzen; Tourillon de chaîne	2	101333	
22	Washer Bricka; Scheibe; Rondelle	4	20404	
23	Cotter pin Saxpinne; Gespalter stift; Goupille fendue	4	20881	
24	Axle Axel; Achse; Axe	2	26959	
25	Cotter pin Saxpinne; Gespalter stift; Goupille fendue	2	20312	
26	Nut Mutter; Mutter; Ecrou	1	20390	
27	Nut Mutter; Mutter; Ecrou	1	20160	
28	Chain complete Kedja komplett; Ketten komplett ; Chaîne complete	2	151070-440	
28	Chain complete Kedja komplett; Ketten komplett ; Chaîne complete	2	151070-480	
28	Chain complete Kedja komplett; Ketten komplett ; Chaîne complete	2	151070-540	
28	Chain complete Kedja komplett; Ketten komplett ; Chaîne complete	2	151070-570	
28	Chain complete Kedja komplett; Ketten komplett ; Chaîne complete	2	151070-630	
28	Chain complete Kedja komplett; Ketten komplett ; Chaîne complete	2	151070-700	
28	Chain complete Kedja komplett; Ketten komplett ; Chaîne complete	2	151070-750	
29	Anchor bolt Fästbult; Ankerbolzen; Boulon de fixation	4	100839	
30	Washer Bricka; Scheibe; Rondelle	8	20404	
31	Cotter pin Saxpinne; Gespalter stift; Goupille fendue	8	21445	
32	Chain bolt Kedjebult; Kettenbolzen; Tourillon de chaîne	4	105814	
33	Cotter pin Saxpinne; Gespalter stift; Goupille fendue	2	20312	
34	Washer Bricka; Scheibe; Rondelle	2	21431	
35	Nut Mutter; Mutter; Ecrou	4	20006	
36	Nut Mutter; Mutter; Ecrou	4	20528	

Pos	Description	Pcs	Part No	Note
14	Screw Skruv; Schraube; Vis	2	20031	
15	Washer Bricka; Scheibe; Rondelle	2	55464	
16	Axle Axel; Achse; Axe	2	155609	
17	Screw Skruv; Schraube; Vis	2	20401	
18	Distance piece(30 x 42 x 0,1) Distans; Distanz; Distance		21881	
18	Distance piece(30 x 42 x 0,2) Distans; Distanz; Distance		21882	
18	Distance piece(30 x 42 x 0,3) Distans; Distanz; Distance		21883	
18	Distance piece(30 x 42 x 0,5) Distans; Distanz; Distance		21884	
18	Distance piece(30 x 42 x 1,0) Distans; Distanz; Distance		21885	
19	Roller(A = 78,2 mm, marked A) Rulle(A = 78,2 mm, märkt A); Rolle(A = 78,2 mm, marke A); Roleau(A = 78,2 mm, marqué A)	4	101423	
19	Roller(A = 78,6 mm, marked B) Rulle(A = 78,6 mm, märkt B); Rolle(A = 78,6 mm, marke B); Roleau(A = 78,6 mm, marqué B)	4	126011	
19	Roller(A = 78 mm, marked C) Rulle(A = 78 mm, märkt C); Rolle(A = 78 mm, marke C); Roleau(A = 78 mm, marqué C)	4	127698	
19	Roller(A = 78,4 mm, marked D) Rulle(A = 78,4 mm, märkt D); Rolle(A = 78,4 mm, marke D); Roleau(A = 78,4 mm, marqué D)	4	159713	

CLICK HERE TO **DOWNLOAD** THE COMPLETE MANUAL

- Thank you very much for reading the preview of the manual.
- You can download the complete manual from: www.heydownloads.com by clicking the link below



- Please note: If there is no response to CLICKING the link, please download this PDF first and then click on it.

CLICK HERE TO **DOWNLOAD** THE COMPLETE MANUAL