



BT Prime-Mover

TT 50 / 70

● Parts Manuals

310503-000 1985_December
300409-000 1989_August
300409-001 1991_September
300409-002 1992_April
300409-003 1993_August
300409-004 1994_August



CLICK HERE TO **DOWNLOAD** THE COMPLETE MANUAL

- Thank you very much for reading the preview of the manual.
- You can download the complete manual from: www.heydownloads.com by clicking the link below



- Please note: If there is no response to CLICKING the link, please download this PDF first and then click on it.

CLICK HERE TO **DOWNLOAD** THE COMPLETE MANUAL

FIGURE # 1.1 TT-50 22:1 TRANSMISSION AND HANDLE ASSEMBLY

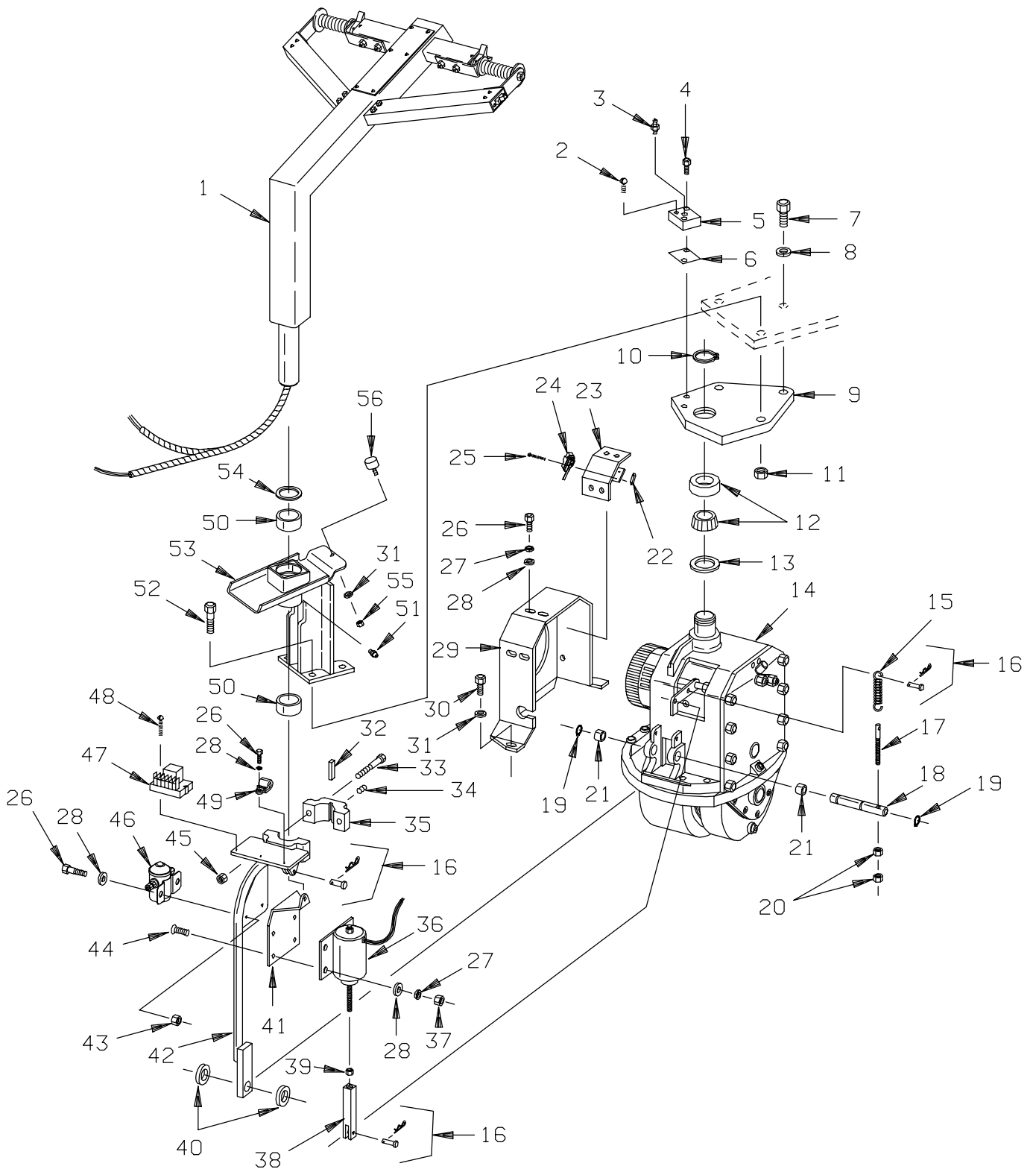


FIGURE # 1.6 TT-50 22:1 DRIVE MOTOR ASSEMBLY (12 VOLT 20846-00)

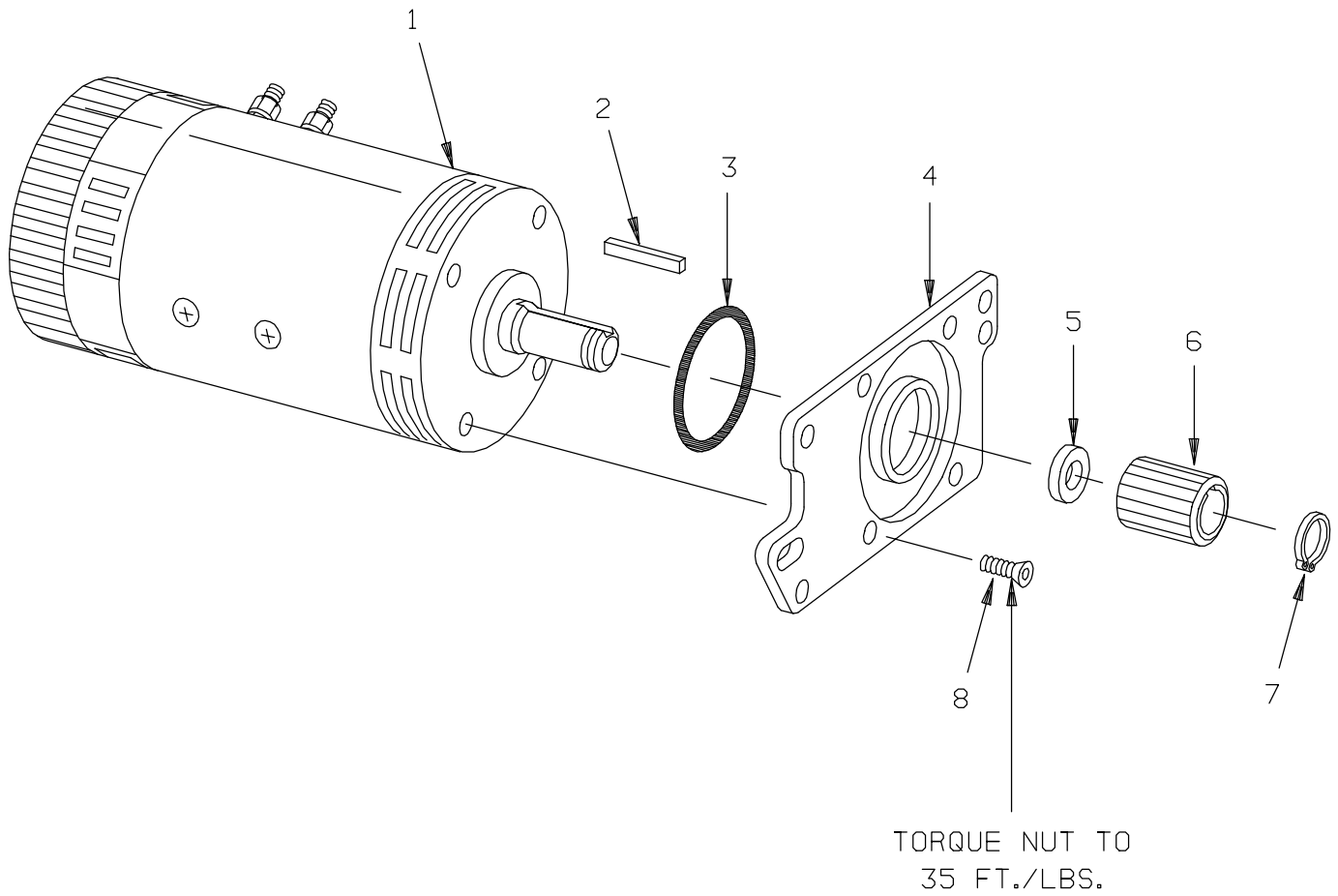


FIGURE # 2.9 TT-50 TWO SPEED CONTACTOR ASSEMBLY (12 VOLT, 27693-01)

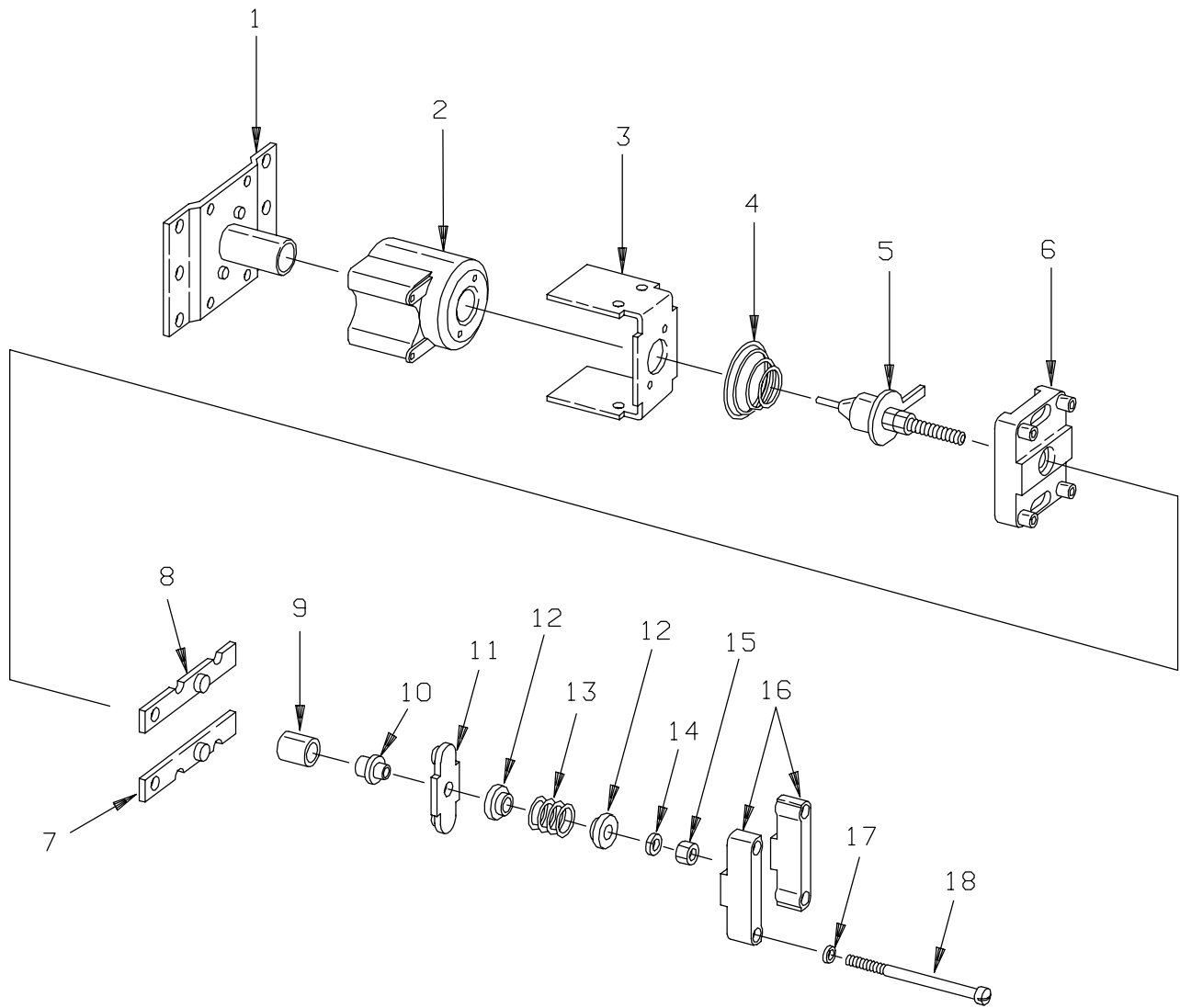
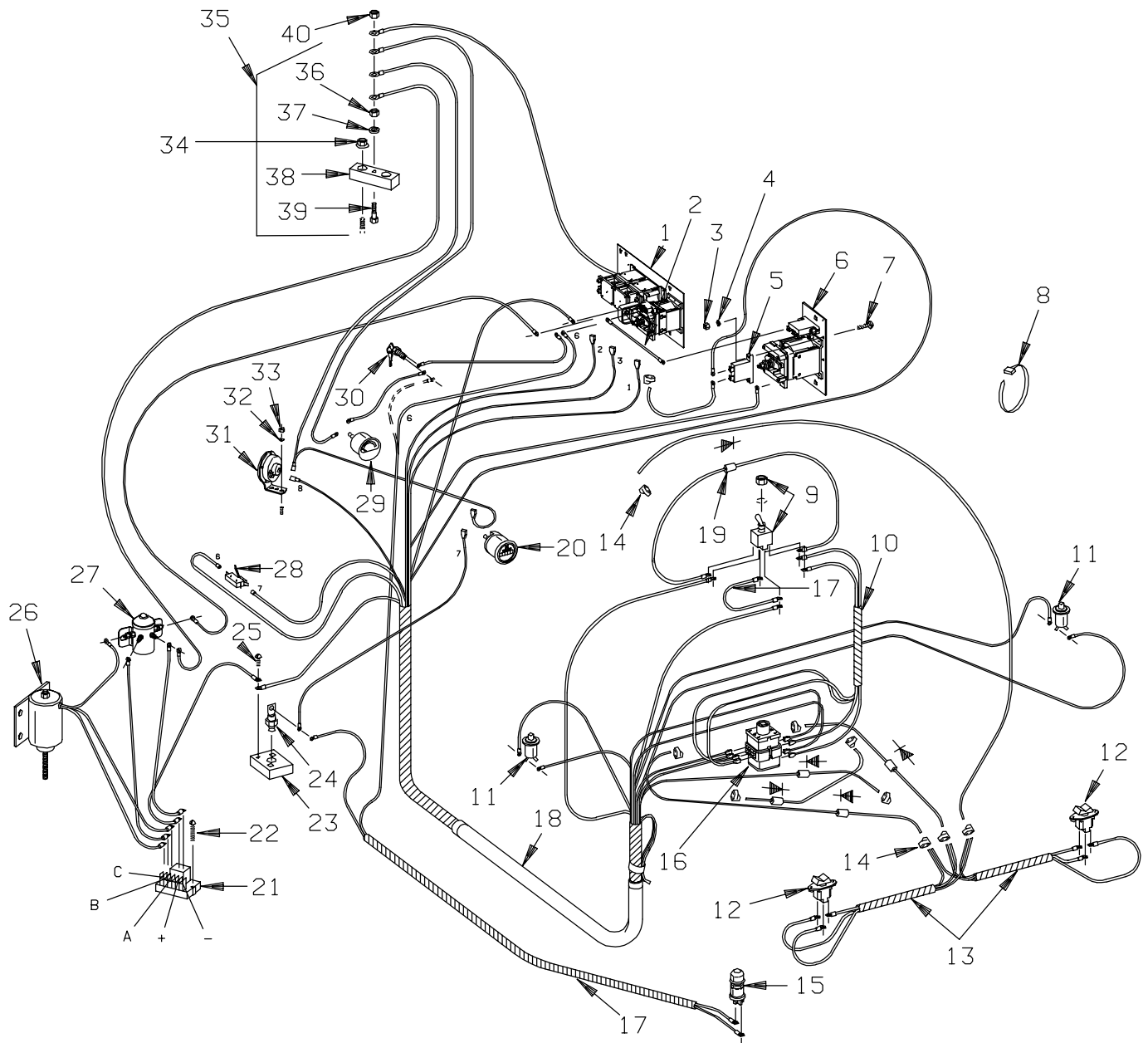


FIGURE # 2.15 TT-70 THREE SPEED CONTROL WIRING (24 volt)



* - SUPPLIED WITH TERMINAL ASSEMBLY

FIGURE # 2.20 TT-70 THREE SPEED CONTACTOR PANEL ASSEMBLY (24 VOLT, 27266-00)

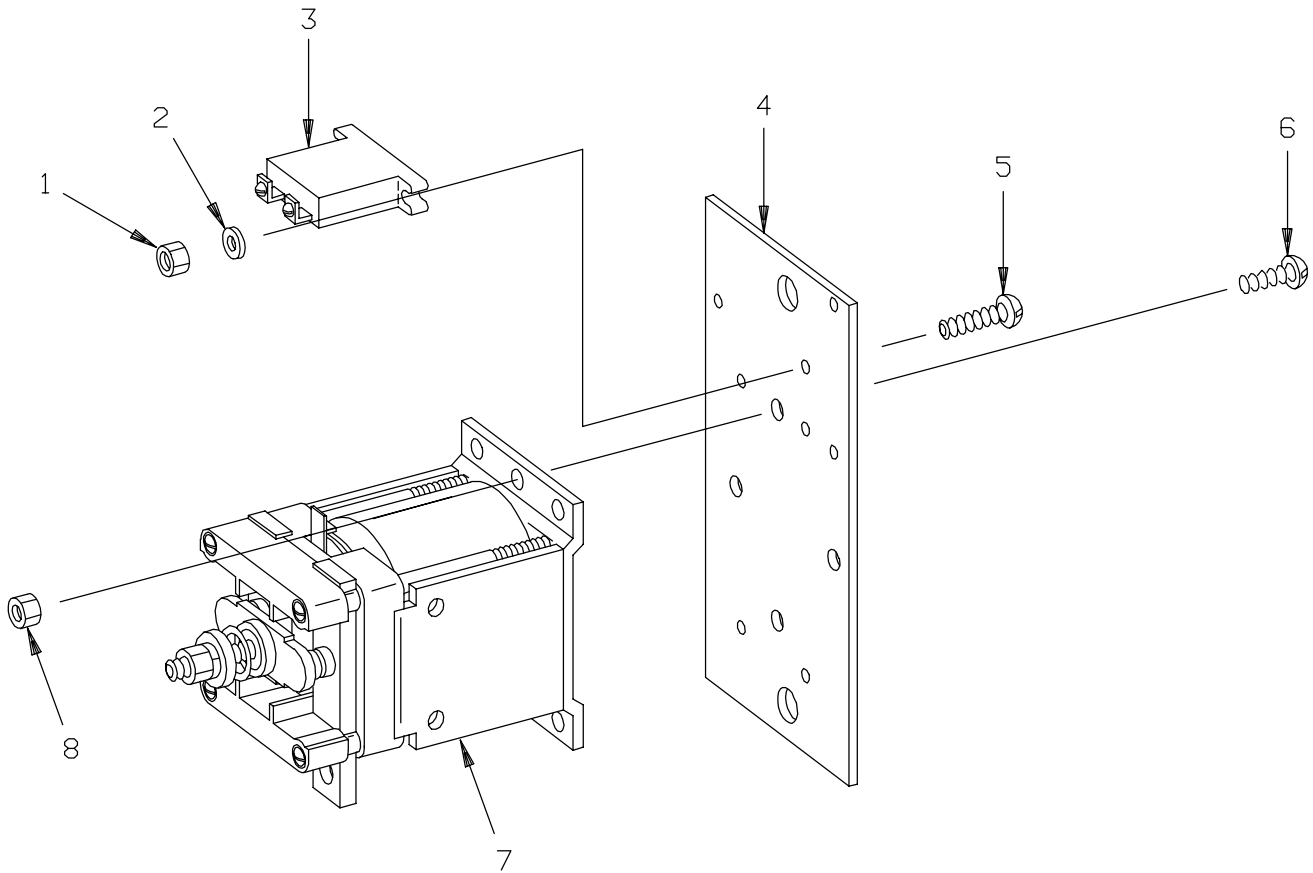
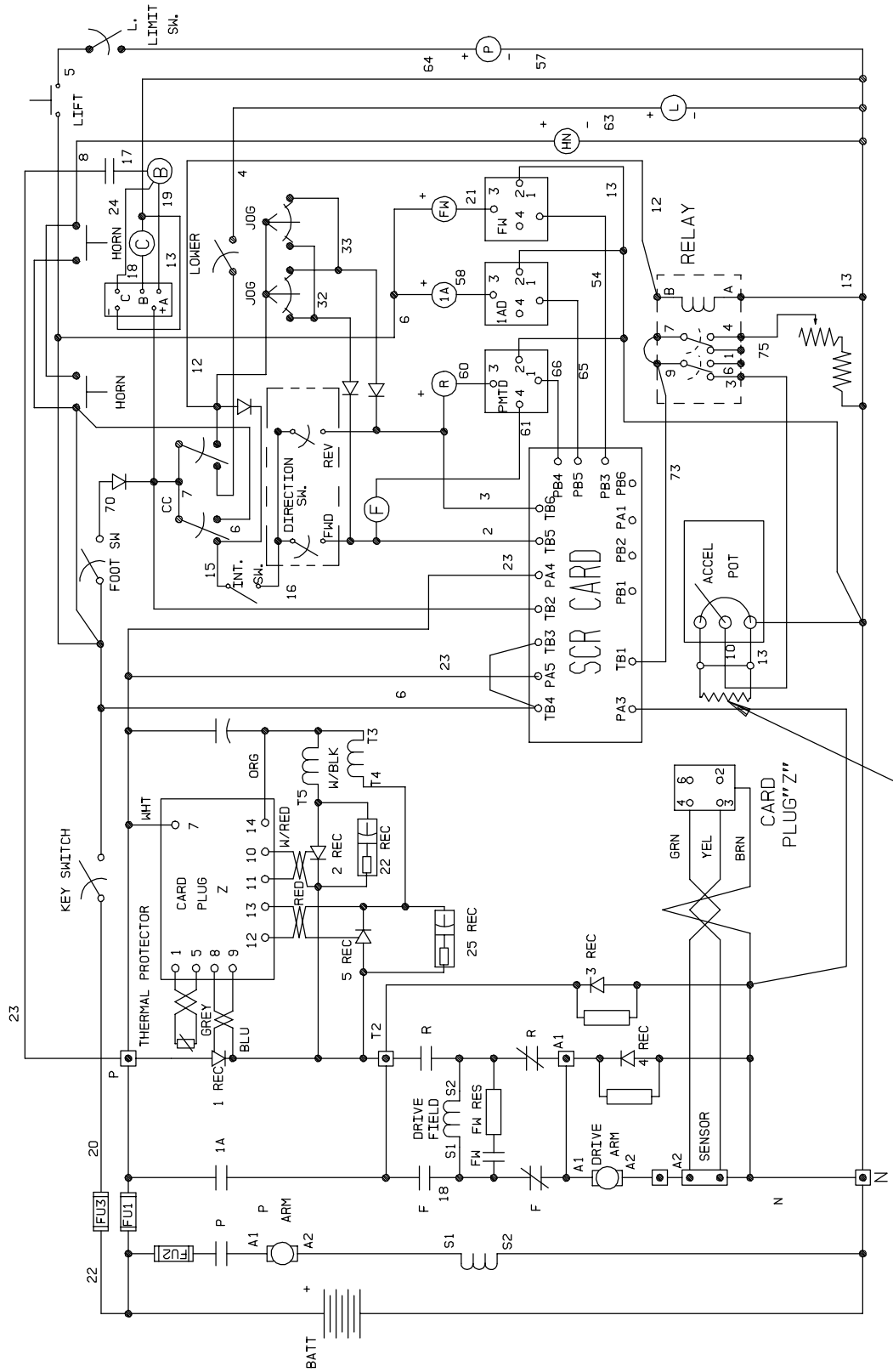


FIGURE # 2.25 TT-70 EV-100 SCR TRUCKS ELECTRICAL SCHEMATIC



RESISTOR USED ON REVERSE W/FW ONLY

EV-100 SCR ELECTRICAL SCHEMATIC

FIGURE # 2.31 TT-70 EV-100 1A CONTACTOR ASSEMBLY (27693-02)

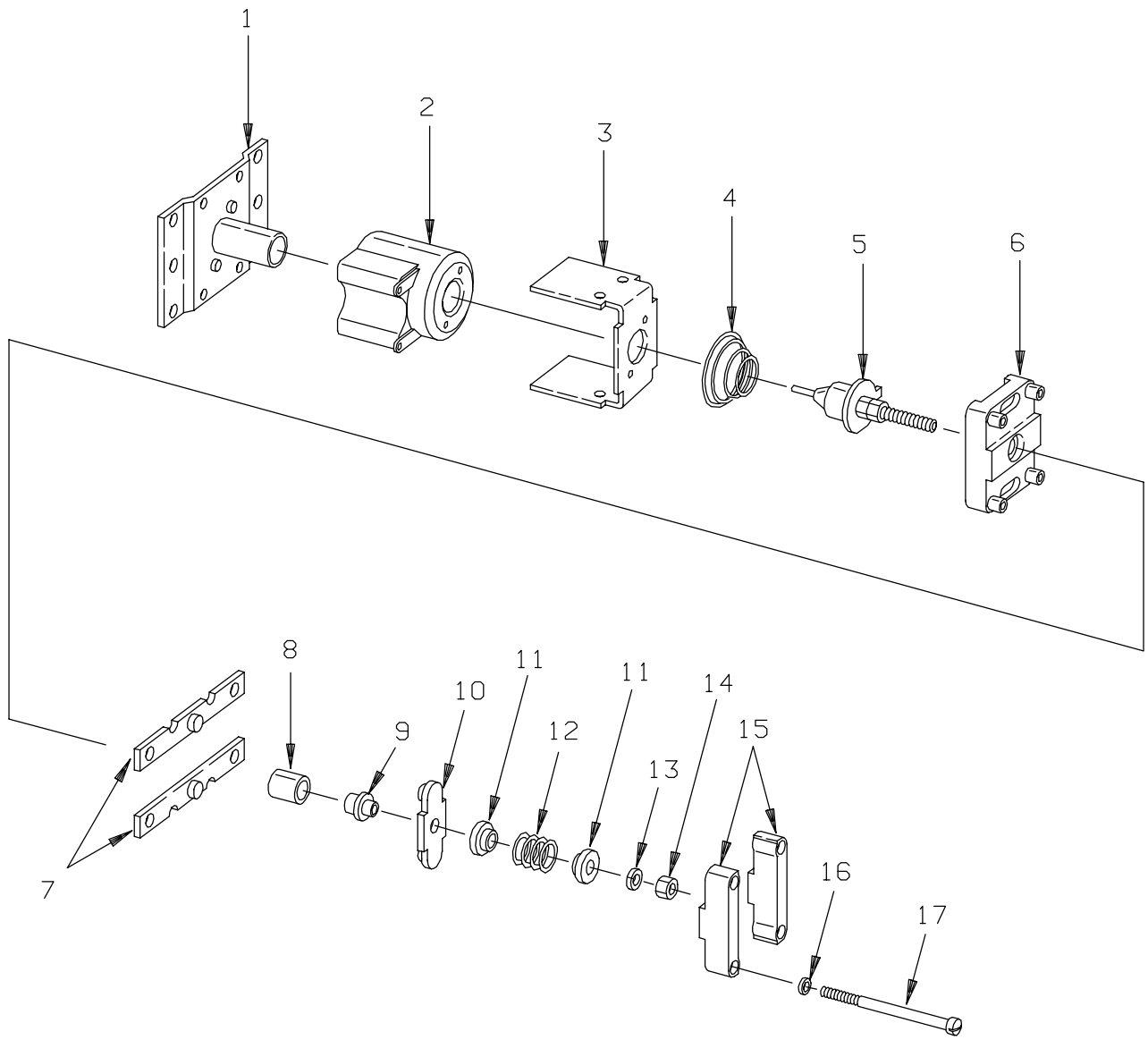


FIGURE # 2.36 POWER CONNECTOR ASSEMBLY

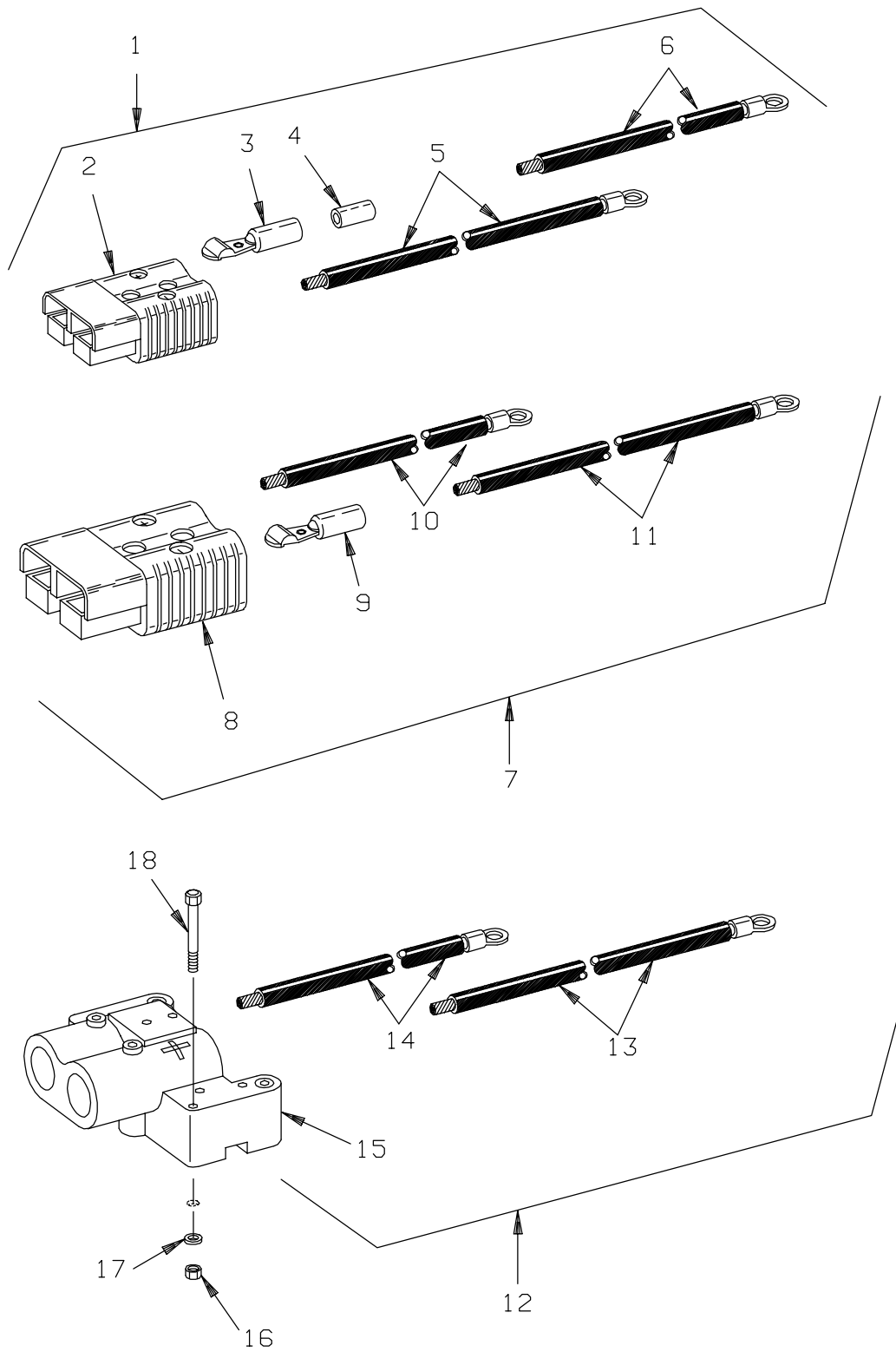
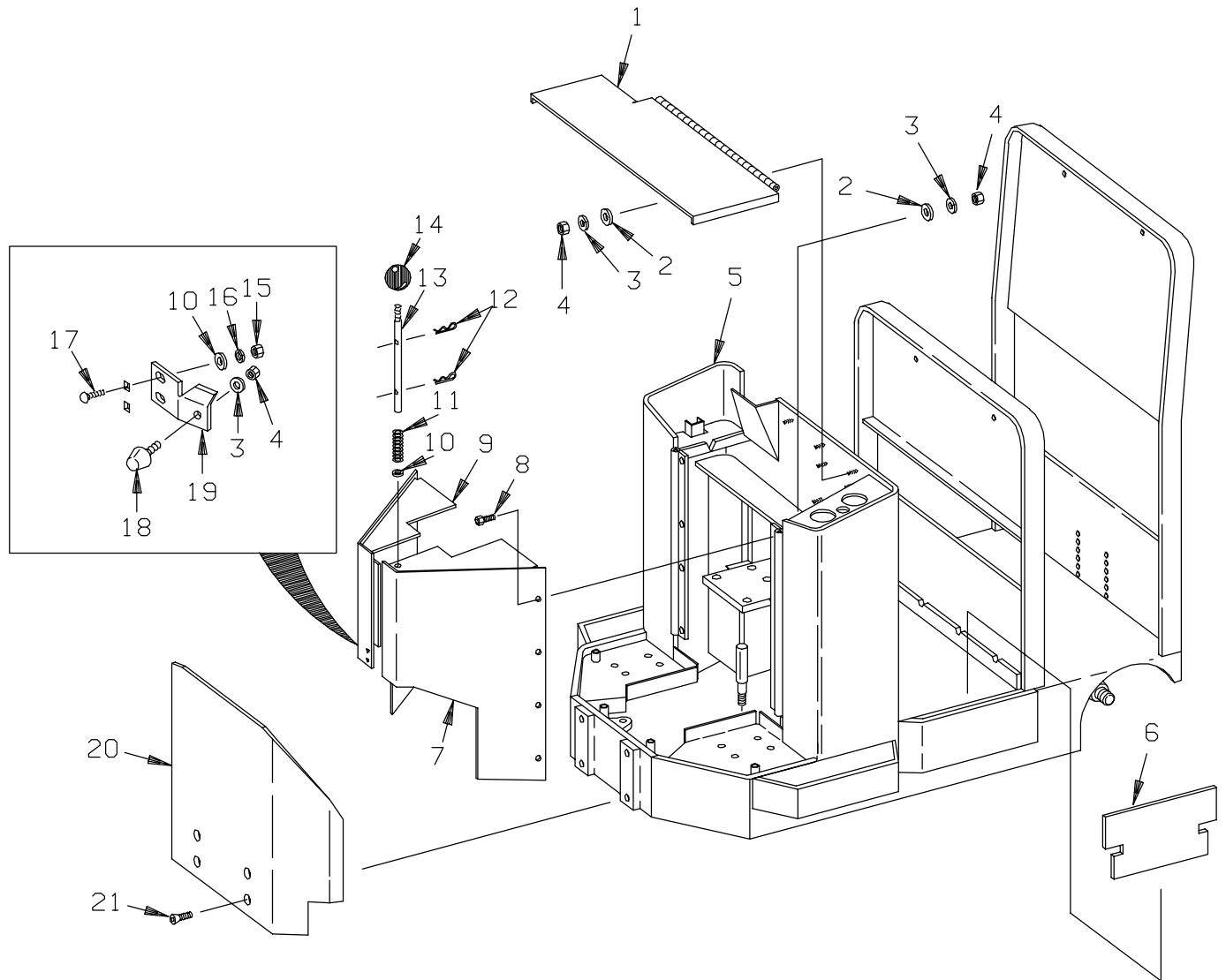


FIGURE # 4.2 SHIELDING ASSEMBLY



MODEL TT-50/70 ELECTRIC TRUCK

NUMERICAL INDEX

<u>PART #</u>	<u>FIGURE #</u>	<u>ITEM #</u>	<u>PART #</u>	<u>FIGURE #</u>	<u>ITEM #</u>
11045-03	1.8	20	11170-04	2.21	34
11047-16	2.7	1	11170-04	2.22	20
11047-16	2.16	1	11170-04	2.23	16
11047-16	2.22	1	11170-04	2.27	43
11047-16	2.28	11	11170-04	2.28	4
11047-16	2.33	10	11170-04	2.33	4
11057-02	1.1	32	11170-04	2.29	5
11057-02	1.2	22	11170-04	2.39	9
11070-06	1.1	45	11170-04	4.4	6
11070-06	1.2	37	11170-05	2.6	36
11073-15	1.4	1	11170-05	2.6	40
11073-15	1.7	7	11170-05	2.7	19
11073-15	4.4	2	11170-05	2.7	23
11073-20	1.3	19	11170-05	2.15	36
11073-29	1.3	16	11170-05	2.15	40
11073-31	1.8	11	11170-05	2.16	20
11073-32	1.3	13	11170-05	2.16	24
11135-04	1.1	16	11170-05	2.21	1
11135-04	1.2	16	11170-05	2.21	36
11135-04	1.5	5	11170-05	2.22	22
11143-08	1.1	33	11170-05	2.22	26
11143-08	1.2	23	11170-05	2.27	3
11143-10	1.7	33	11170-05	2.27	45
11143-18	1.3	11	11170-05	2.28	3
11157-03	1.5	15	11170-05	2.28	6
11160-11	1.1	51	11170-05	2.33	3
11160-11	1.2	44	11170-05	2.33	6
11160-11	4.3	4	11170-05	2.29	9
11170-01	2.6	3	11170-05	2.39	11
11170-01	2.11	1	11170-05	2.39	15
11170-01	2.15	3	11170-06	1.3	23
11170-01	2.20	1	11170-06	1.4	4
11170-01	2.23	20	11170-06	2.7	2
11170-02	2.11	10	11170-06	2.16	2
11170-02	2.23	25	11170-06	2.22	2
11170-02	2.39	21	11170-06	2.27	8
11170-04	1.1	43	11170-06	2.28	13
11170-04	1.2	34	11170-06	2.33	17
11170-04	2.6	34	11170-08	1.1	11
11170-04	2.7	17	11170-08	1.2	11
11170-04	2.8	9	11170-12	4.3	17
11170-04	2.15	34	11176-06	4.1	2
11170-04	2.16	18	11176-15	2.36	18
11170-04	2.17	12	11176-16	1.3	2
11170-04	2.20	8	11176-17	1.3	5

MODEL TT-50/70 ELECTRIC TRUCK

NUMERICAL INDEX

<u>PART #</u>	<u>FIGURE #</u>	<u>ITEM #</u>	<u>PART #</u>	<u>FIGURE #</u>	<u>ITEM #</u>
49788-00	1.1	56	49856-06	2.33	2
49788-00	1.2	50	49856-06	2.33	13
49788-00	4.2	18	49856-06	2.33	23
49802-02	2.27	17	49856-07	2.28	19
49815-00	2.6	20	49856-07	2.28	22
49815-00	2.15	20	49856-07	2.33	24
49815-00	2.21	20	49856-08	2.28	16
49815-00	2.27	16	49856-09	2.36	5
49826-00	1.5	8	49856-10	2.36	6
49831-00	2.39	20	49856-11	2.7	8
49850-03	2.36	12	49856-11	2.16	8
49852-01	2.36	3	49856-11	2.22	10
49852-02	2.36	9	49856-13	2.33	19
49853-01	2.36	4	49856-33	2.36	14
49854-01	2.36	2	49856-35	2.36	13
49855-02	2.36	8	49856-42	2.36	10
49855-05	2.36	1	49856-43	2.36	11
49855-09	2.36	7	49856-55	2.28	15
49856-01	2.7	5	49856-55	2.33	20
49856-01	2.16	5	49856-56	2.28	16
49856-01	2.22	8	49856-56	2.33	22
49856-01	2.29	4	49856-70	2.8	23
49856-03	2.7	16	49856-70	2.17	19
49856-03	2.16	17	49903-04	0.1	6
49856-03	2.22	4	49903-05	0.1	10
49856-03	2.22	19	49919-02	4.4	1
49856-04	2.7	15	49929-01	1.1	21
49856-04	2.16	16	49929-01	1.2	21
49856-04	2.22	18	49929-01	1.4	12
49856-04	2.28	21	49929-01	1.7	22
49856-04	2.33	26	49942-00	4.2	11
49856-05	2.7	12	50001-11	2.8	19
49856-05	2.16	7	50001-11	2.17	14
49856-05	2.16	12	50001-11	2.29	3
49856-05	2.22	9	50001-11	2.35	25
49856-05	2.22	14	50001-11	2.35	*
49856-05	2.28	2	50003-01	2.8	20
49856-05	2.28	20	50003-01	2.17	15
49856-05	2.33	25	50003-01	2.29	2
49856-06	2.7	13	52-00212-02	0.1	9
49856-06	2.16	13	52-00221-00	0.1	7
49856-06	2.16	15	52-00224-00	0.1	7
49856-06	2.22	15	52-00226-00	0.1	7
49856-06	2.22	17	52-00227-00	0.1	7
49856-06	2.28	18	52-07901-03	2.39	3

ALPHABETICAL INDEX

NAME	FIG.#	PAGE #
U,V,W _____		
Wiring assembly for cold storage	2.40	2.87
X,Y,Z _____		

FIGURE # 1.4 TT-50 22:1 TRANSMISSION ASSEMBLY, PART # I

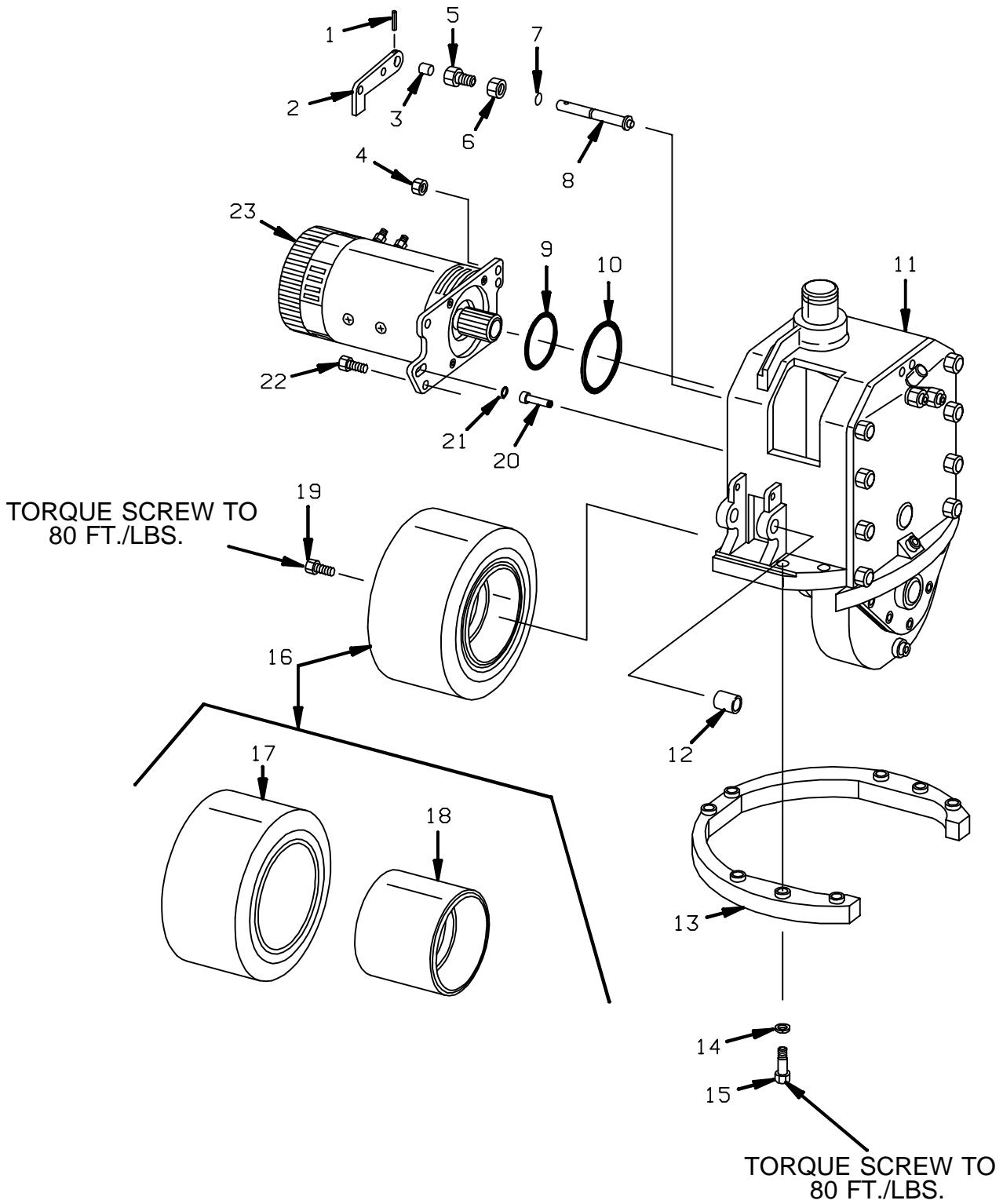


FIGURE # 2.1 RESISTOR MASTER CONTROL SWITCH (24121-01)

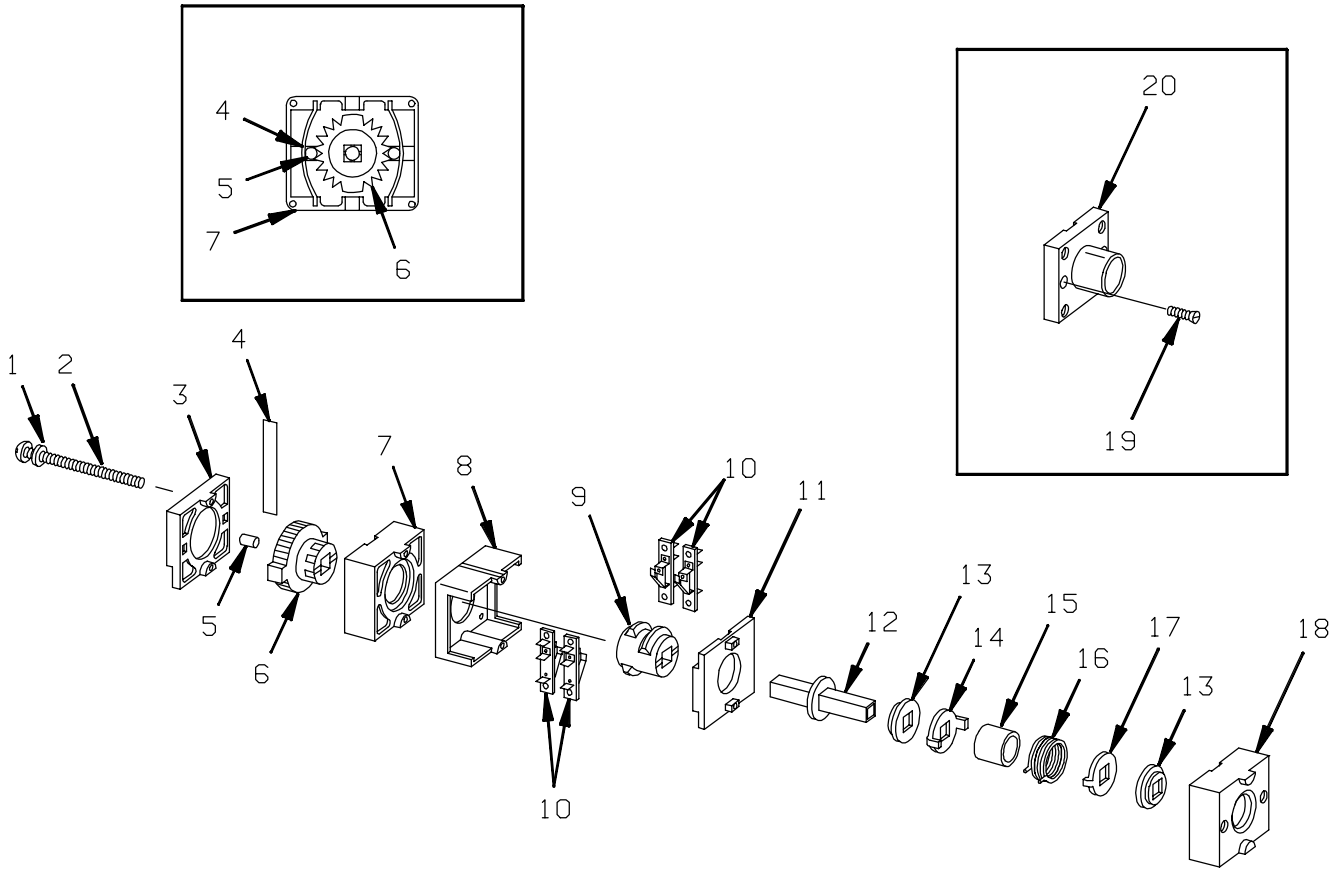


FIGURE # 2.7 TT-50 TWO/THREE SPEED POWER COMPONENT WIRING

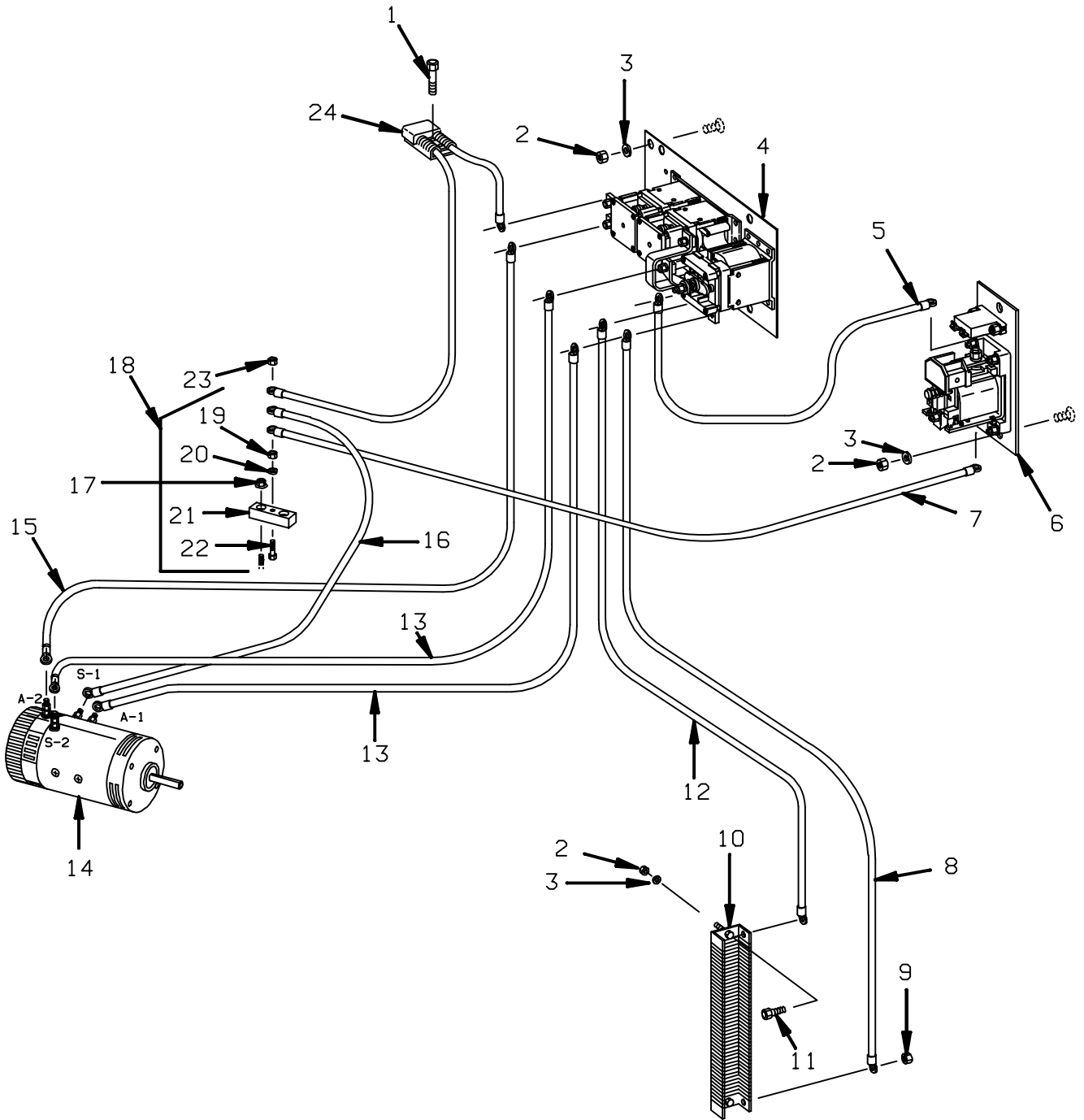


FIGURE # 2.12 TT-50 THREE SPEED CONTACTOR ASSEMBLY (12 VOLT, 27185-00)

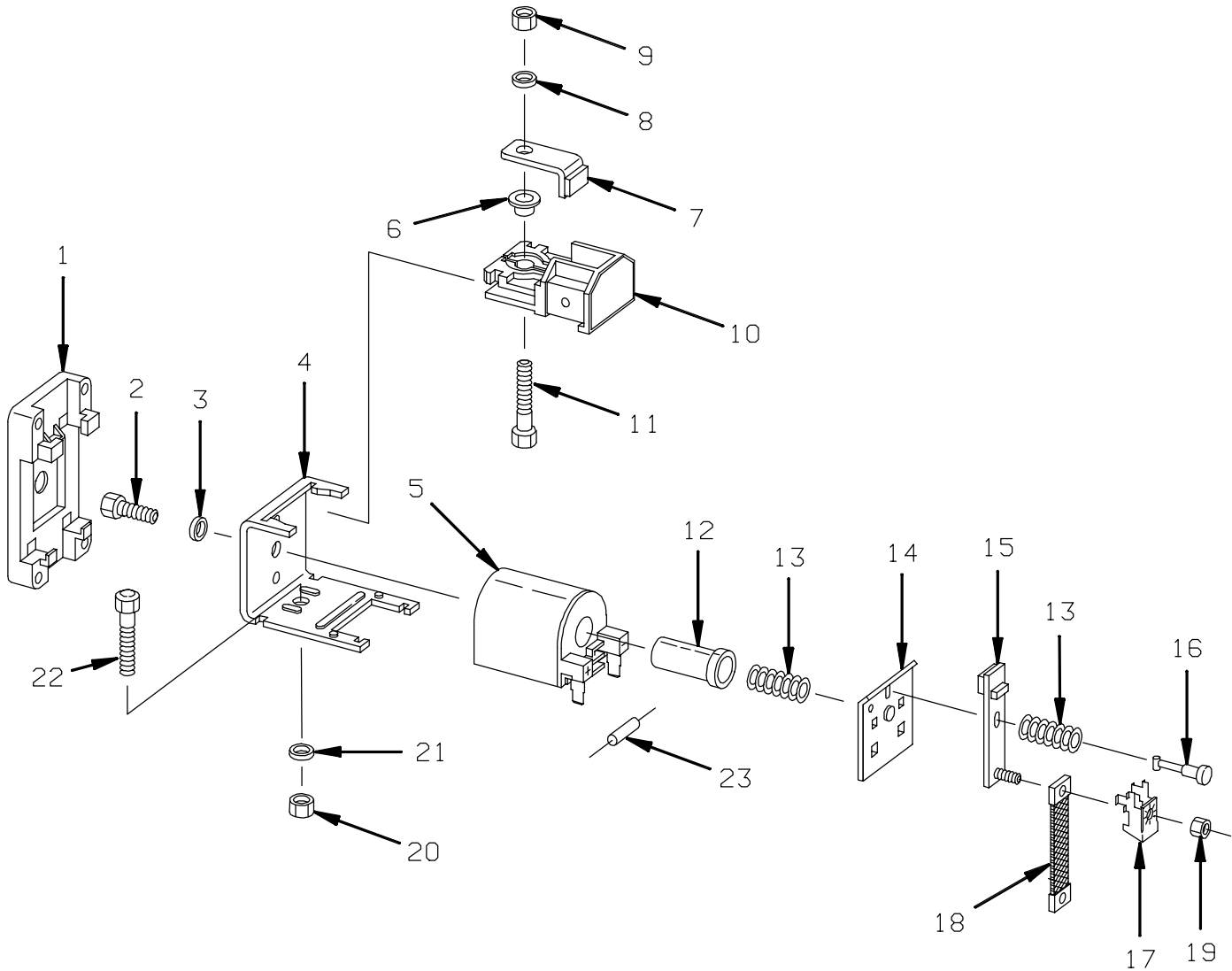


FIGURE # 2.18 TT-70 THREE SPEED CONTACTOR ASSEMBLY (24 VOLT, 27693-00)

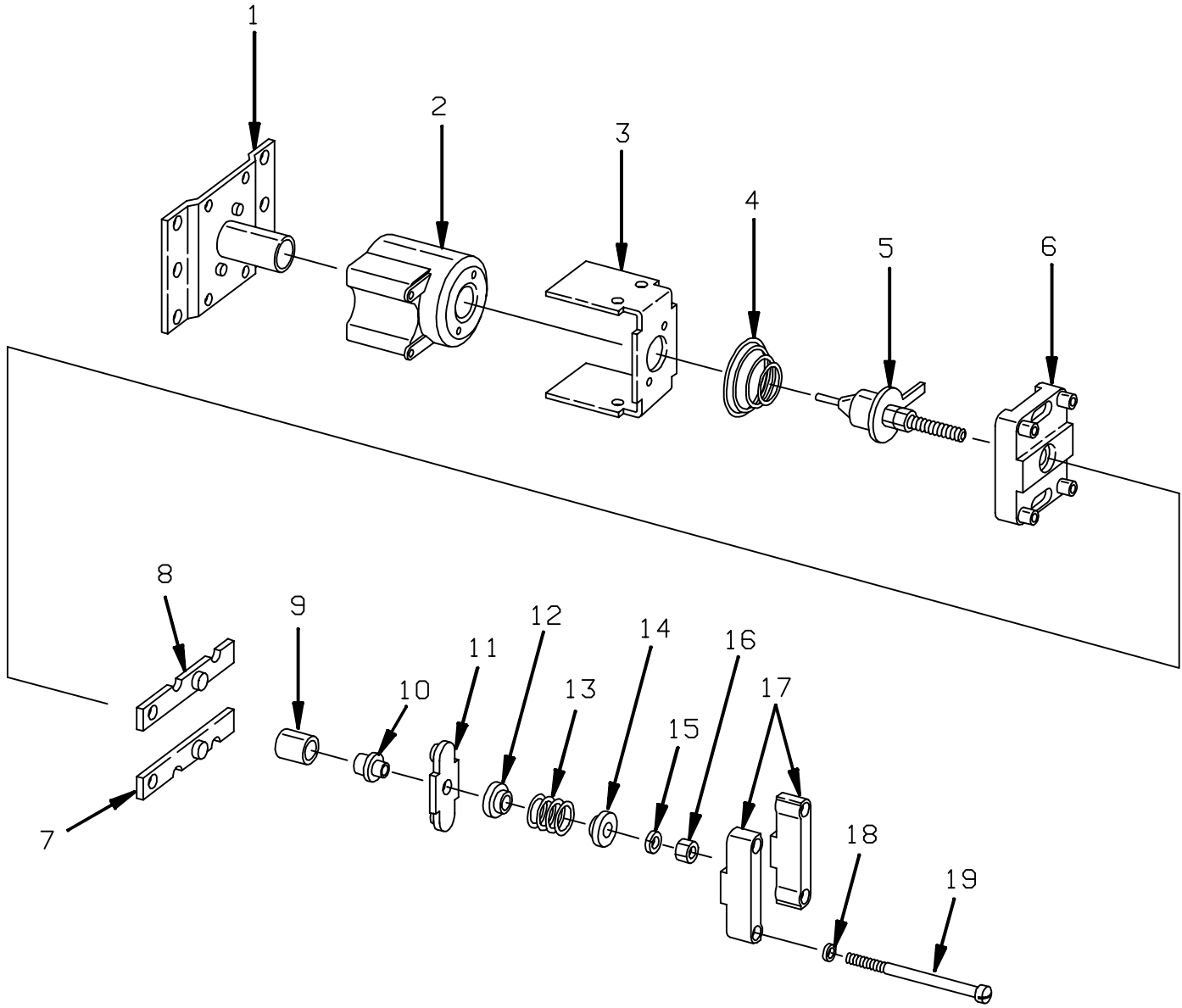


FIGURE # 2.23 TT-70 FOURTH SPEED CONTACTOR PANEL ASSEMBLY (27267-04)

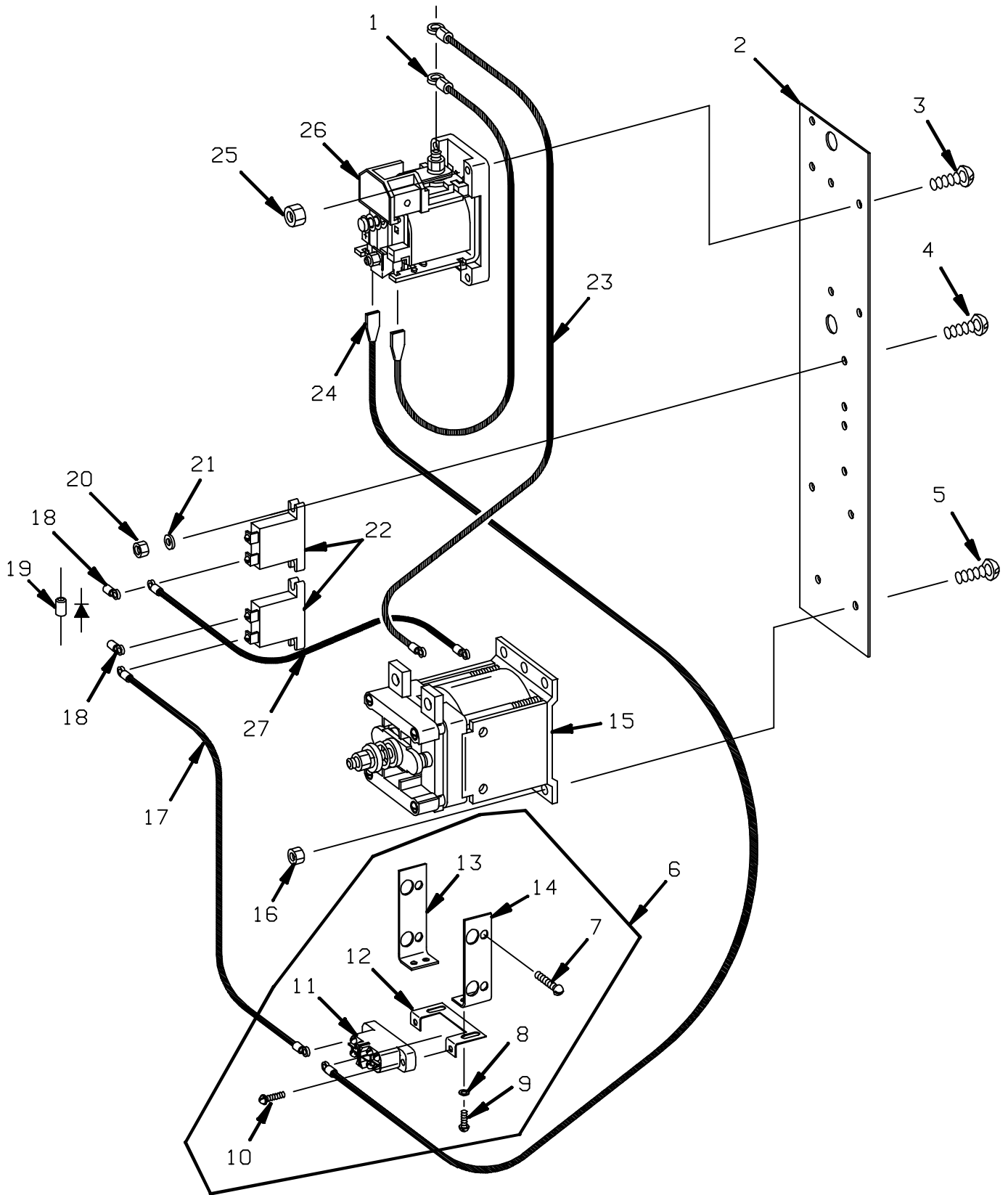


FIGURE # 2.29 TT-70 EV-100 SCR CONTACTOR PANEL ASSEMBLY (27707-00)

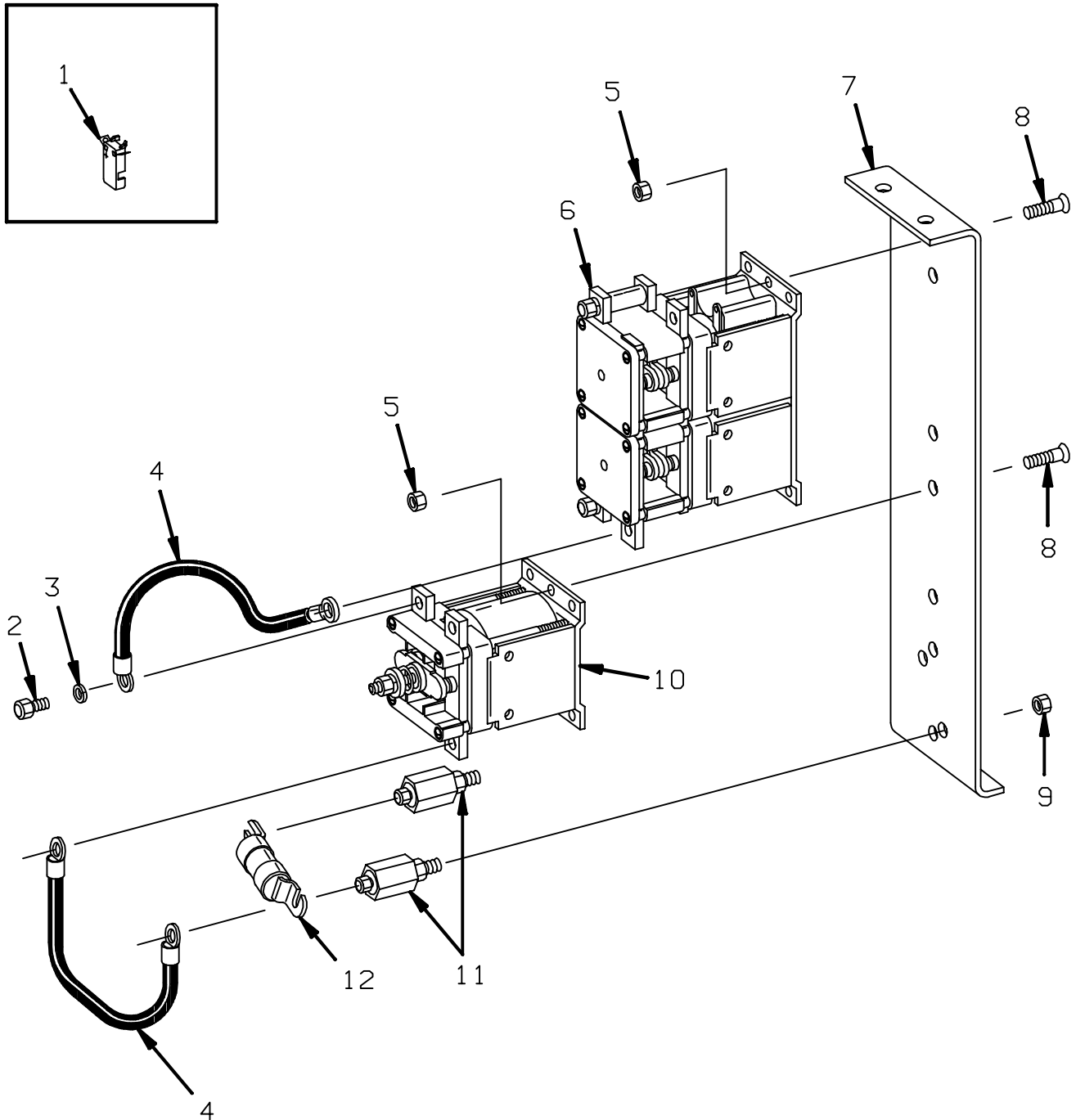


FIGURE # 2.34 TT-70 EV-100 SCR THREE SPEED CONTACTOR PANEL ASSEMBLY

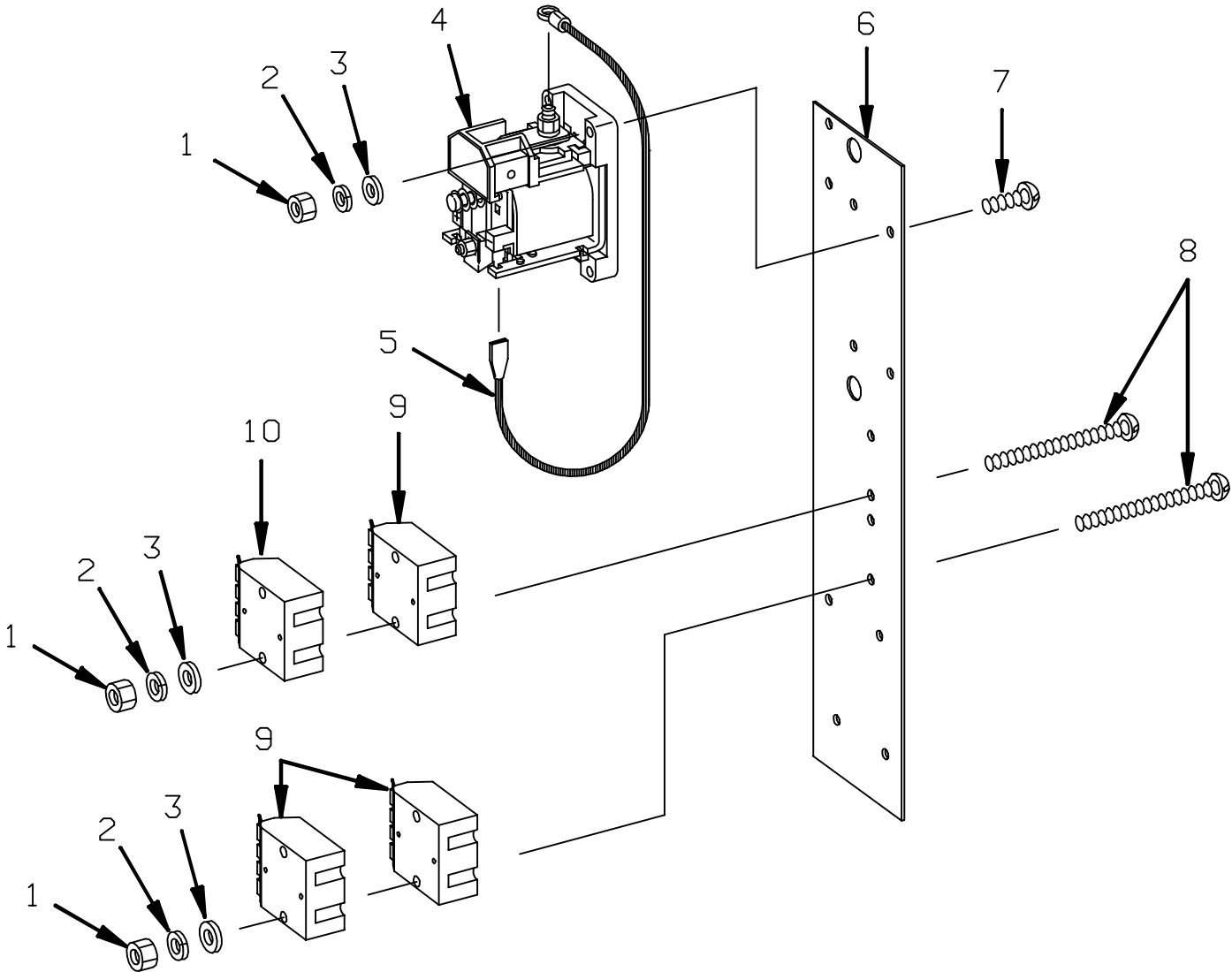


FIGURE # 2.39 TT-70 14:1 DRIVE MOTOR ASSEMBLY, 24 VOLT
(27895-005BC48JB471) G.E.

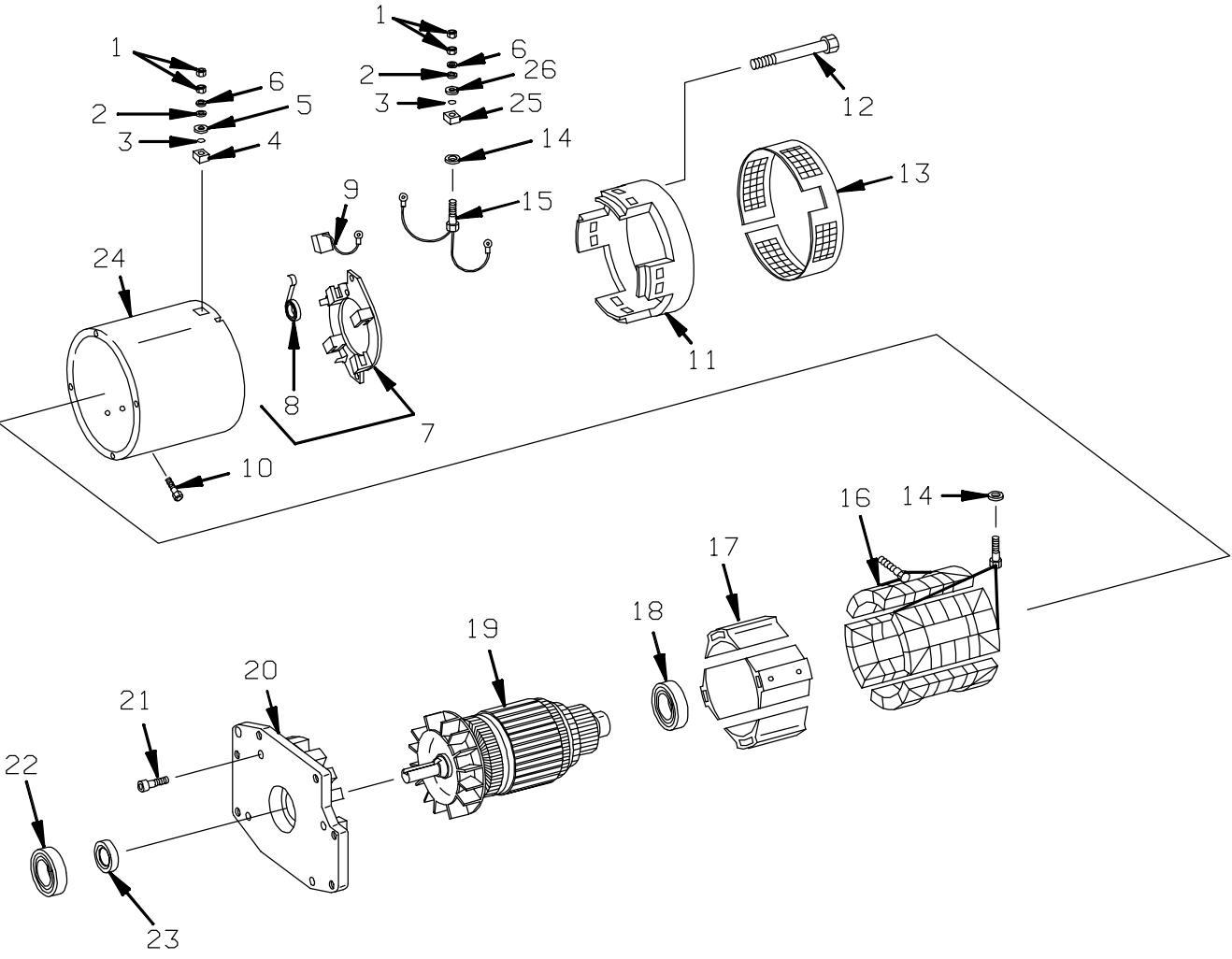
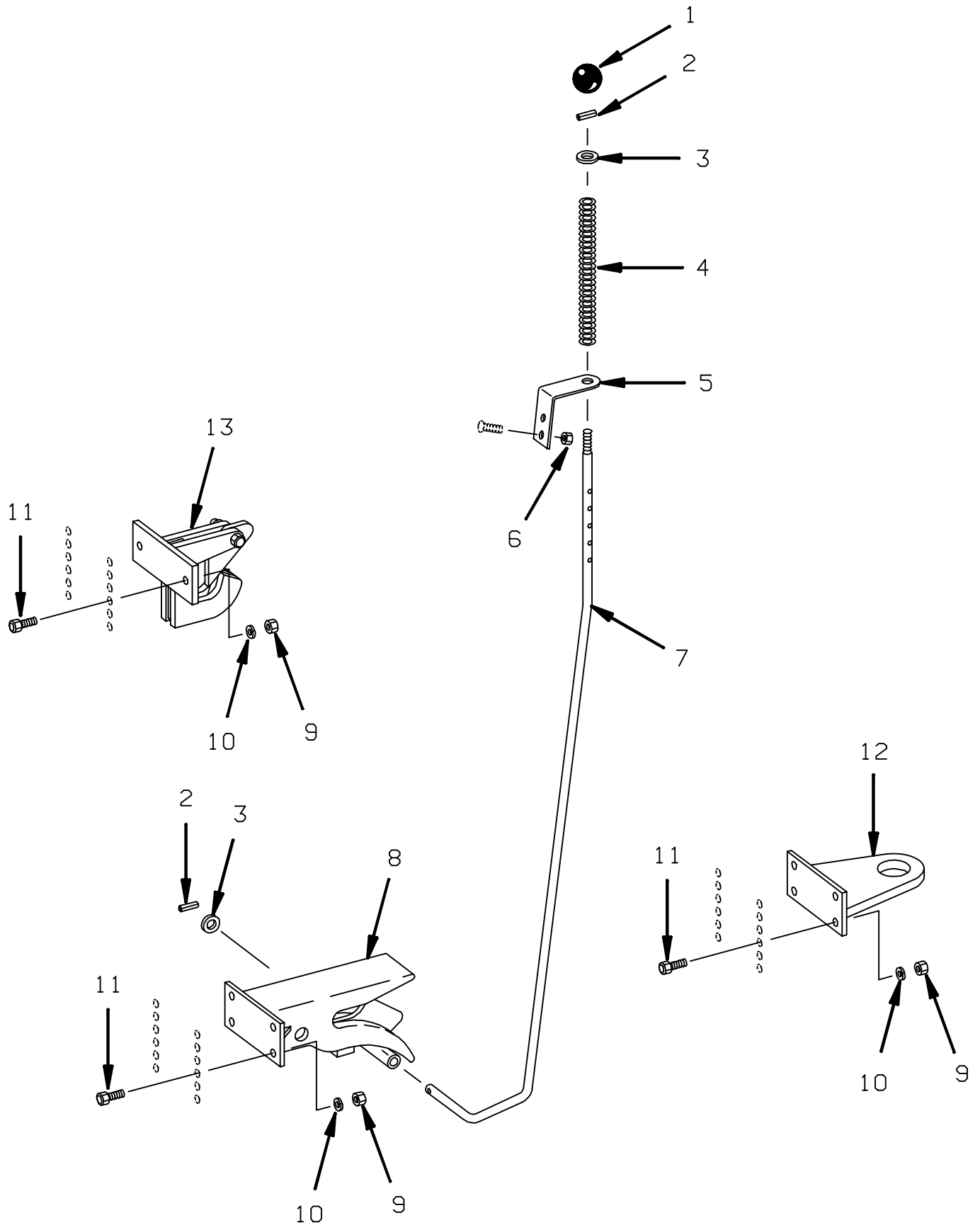


FIGURE # 4.4 AUTOMATIC COUPLER AND TOW EYE ASSEMBLY



CLICK HERE TO **DOWNLOAD** THE COMPLETE MANUAL

- Thank you very much for reading the preview of the manual.
- You can download the complete manual from: www.heydownloads.com by clicking the link below



- Please note: If there is no response to CLICKING the link, please download this PDF first and then click on it.

CLICK HERE TO **DOWNLOAD** THE COMPLETE MANUAL

MODEL TT SERIES ELECTRIC TOW TRACTOR

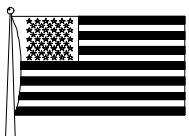
NUMERICAL INDEX

<u>PART #</u>	<u>FIG. #</u>	<u>ITEM #</u>	<u>PART #</u>	<u>FIG.#</u>	<u>ITEM #</u>
14911-04	1.1	48	200077	2.30	2
14911-04	2.27	28	200077	2.19	2
14911-04	2.15	22	200077	2.31	2
14911-04	2.21	22	200078	2.10	3
14915-01	0.1	7	200078	2.30	3
14915-03	0.1	8	200078	2.19	3
14949-02	4.2	17	200079	2.10	4
14957-01	4.1	8	200079	2.30	4
14957-04	4.2	8	200079	2.19	4
14981-02	1.2	4	200080	2.10	5
14981-02	1.1	4	200080	2.30	5
14986-03	1.1	22	200080	2.19	5
14986-03	1.7	6	200081	2.9	6
14994-07	1.1	52	200081	2.10	6
14994-07	1.2	45	200081	2.19	6
14994-07	4.4	11	200081	2.30	6
14994-08	1.2	7	200081	2.18	6
14994-08	1.4	15	200081	2.31	6
14994-08	1.1	7	200082	2.10	7
14994-15	1.7	19	200082	2.19	7
14998-01	1.4	21	200082	2.30	7
14999-01	1.8	17	200083	2.10	8
14999-01	1.5	25	200083	2.19	8
20002-00	1.5	13	200083	2.30	8
200025	10.1	6	200084	2.10	9
20003-00	1.4	13	200084	2.19	9
200038	2.35	22	200084	2.30	9
200039	2.35	3	200085	2.10	11
200040	2.35	2	200085	2.19	11
200041	2.35	9	200085	2.30	11
200042	2.35	8	200086	2.10	13
200043	2.35	6	200086	2.30	13
200044	2.35	15	200086	2.19	13
200045	2.35	31	200087	2.10	14
200045	2.35	13	200087	2.30	14
200046	2.35	30	200087	2.19	14
200047	2.35	33	200088	2.10	15
200048	2.35	27	200088	2.30	15
200049	2.35	26	200088	2.19	15
200050	2.35	19	200089	2.10	18
200051	2.35	20	200089	2.19	18
200052	2.35	12	200089	2.30	18
200054	2.35	29	200090	2.10	19
200055	2.35	32	200090	2.30	19
200056	2.35	1	200090	2.19	19
200057	2.35	10	200091	2.10	20
200058	2.35	21	200091	2.19	20
200059	2.35	11	200091	2.30	20
200076	2.10	1	200092	2.10	21
200076	2.30	1	200092	2.19	21
200076	2.19	1	200092	2.30	21
200077	2.18	2	200093	2.10	22



PRIME-MOVER[®]

THE PRIME-MOVER CO.
3000 NORTH US HIGHWAY 61
MUSCATINE, IOWA 52761-5810



PROUDLY
Made in **AMERICA**

FIGURE # 1.2 HANDLE ASSEMBLY

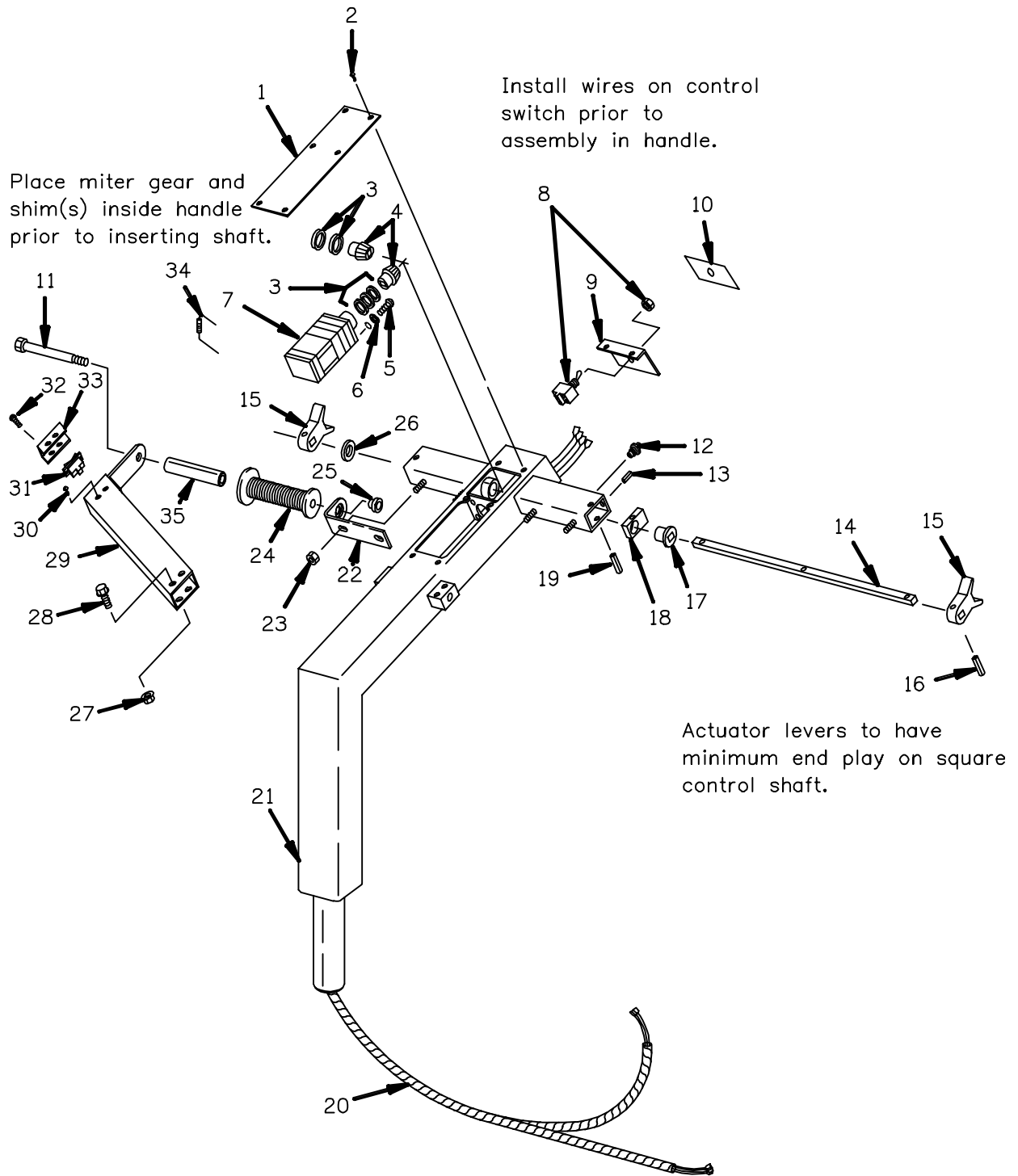
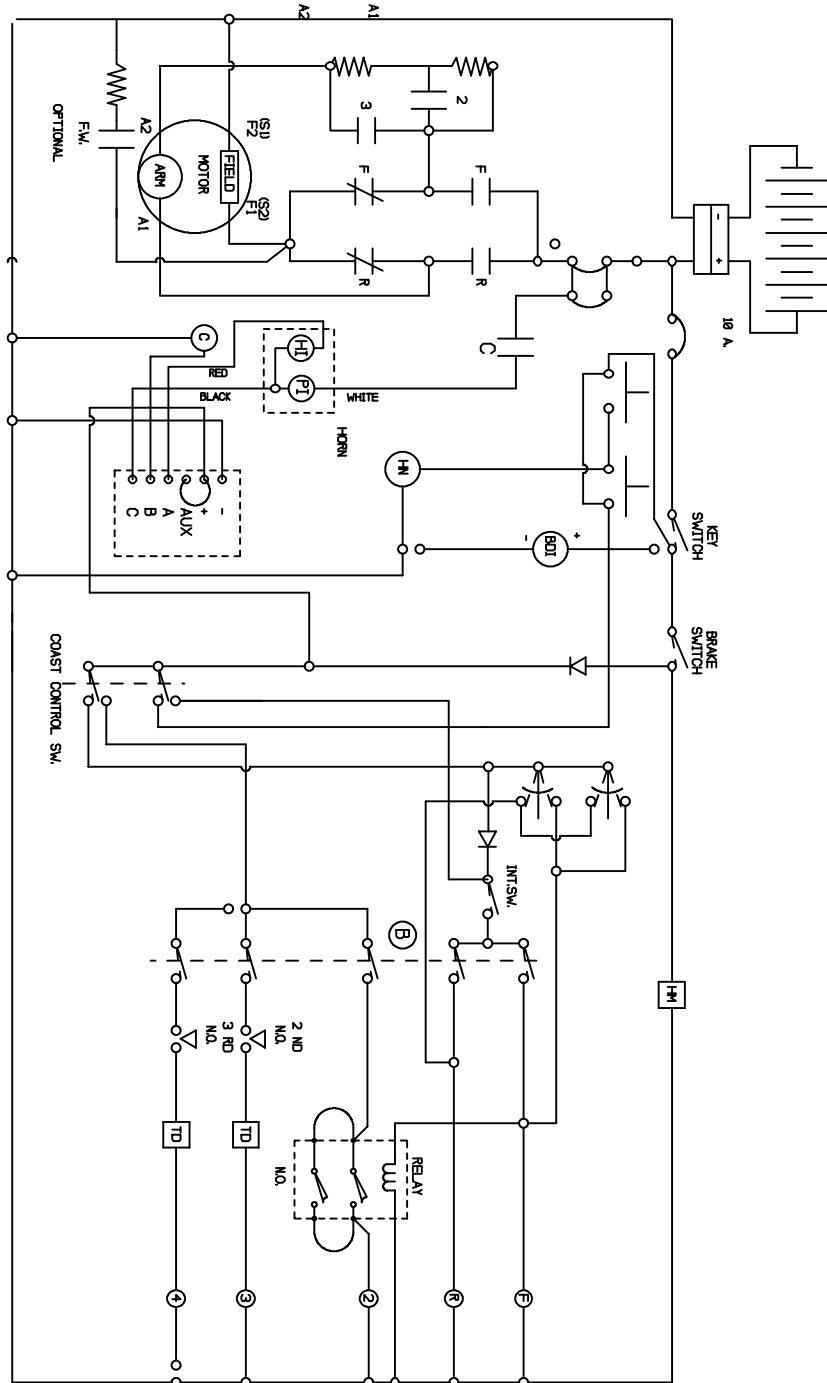


FIGURE # 2.3 RESISTOR ELECTRICAL SCHEMATIC



RESISTOR ELECTRICAL SCHEMATIC

FIGURE # 2.9 FORWARD & REARWARD CONTACTOR ASSEMBLY

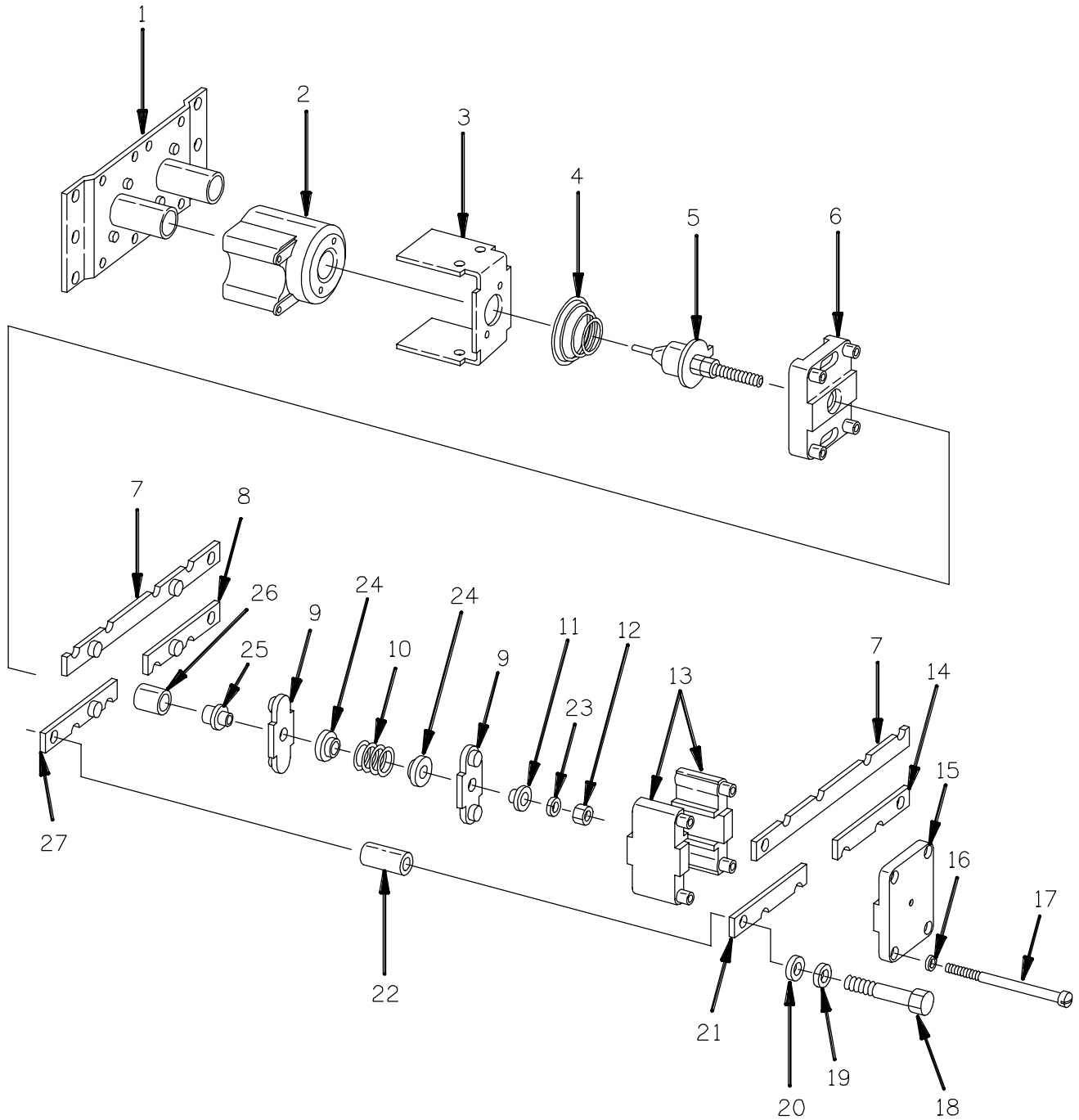


FIGURE # 2.14 CONTACTOR ASSEMBLY

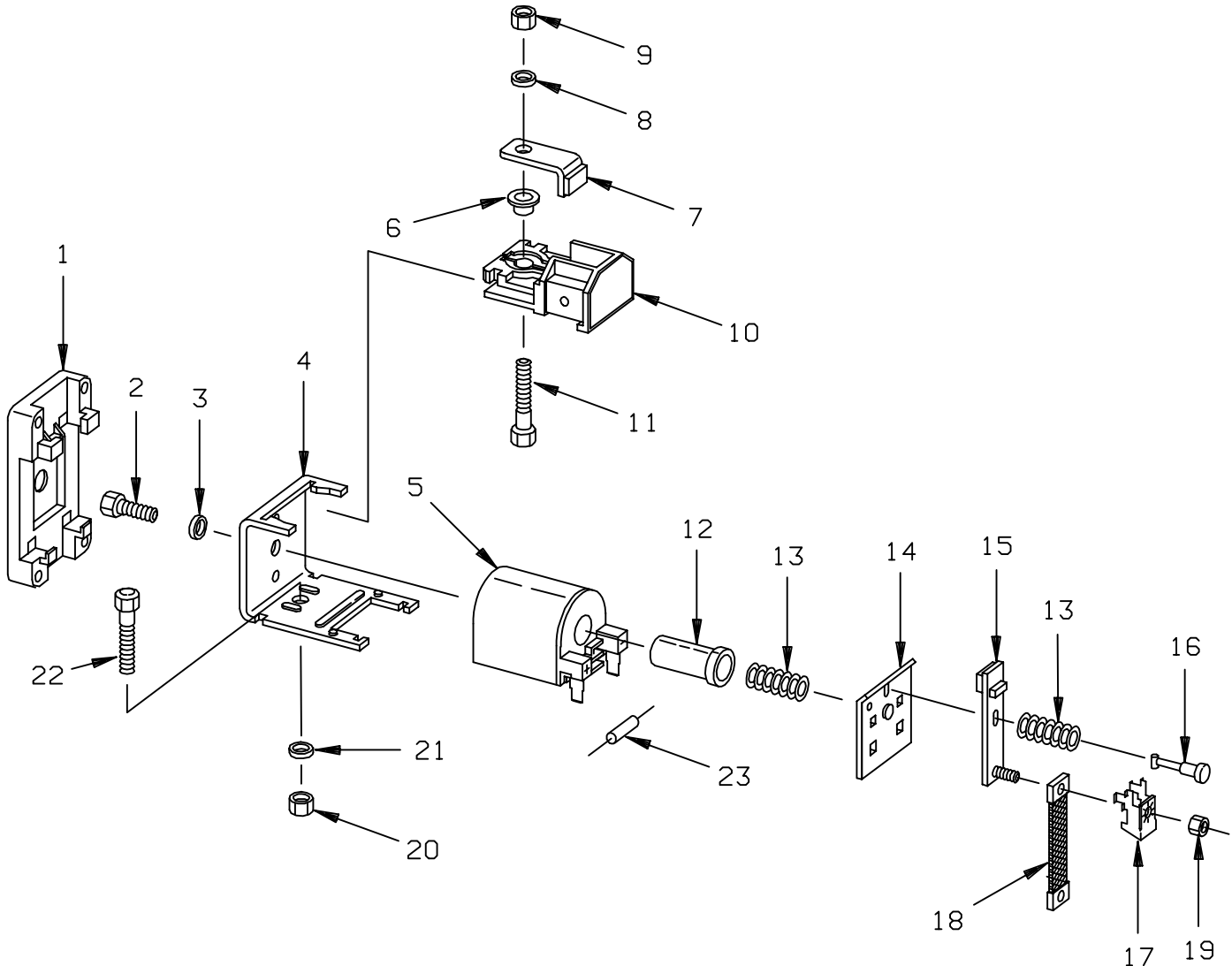


FIGURE # 2.21 POWER CONNECTOR ASSEMBLY

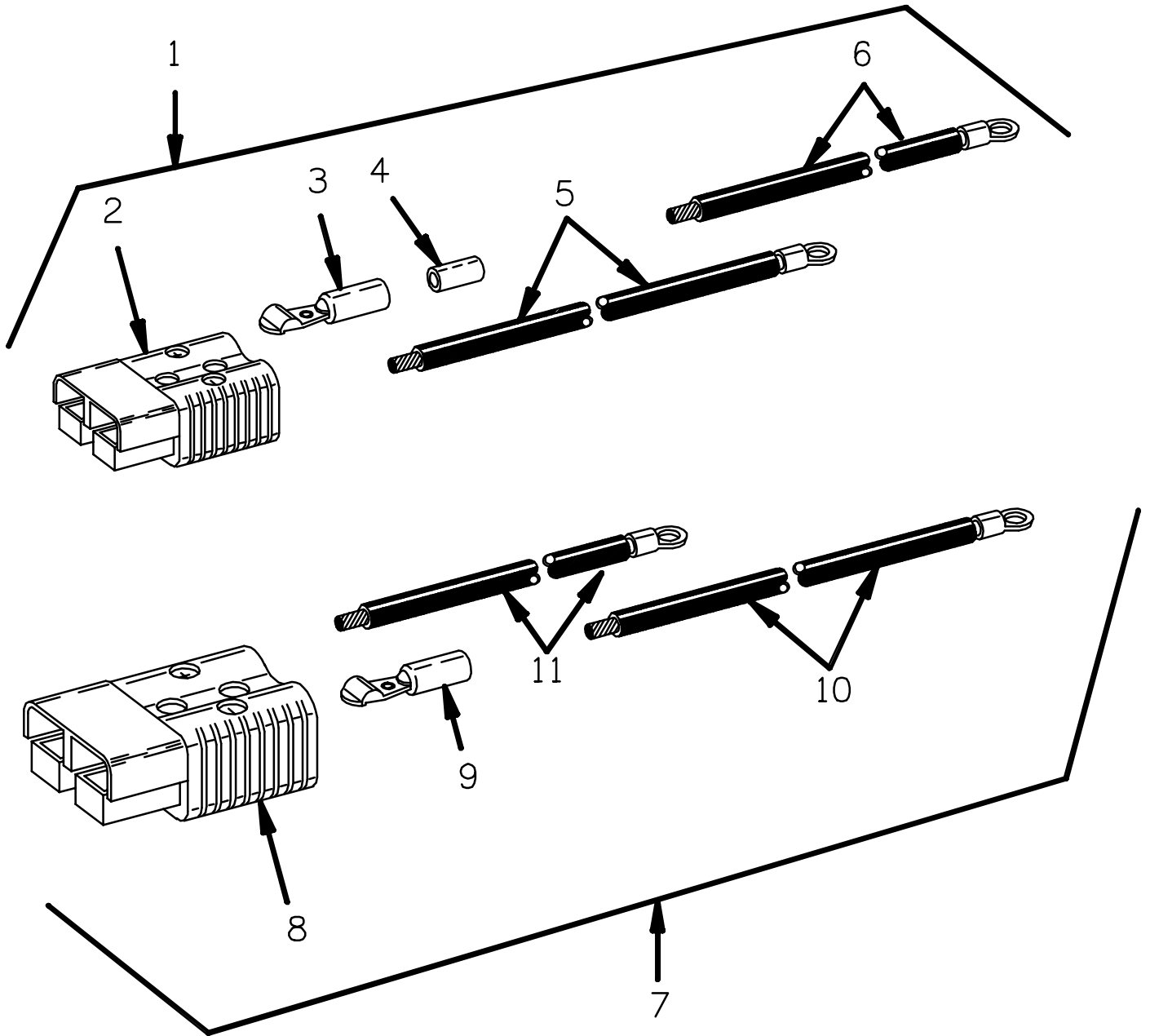
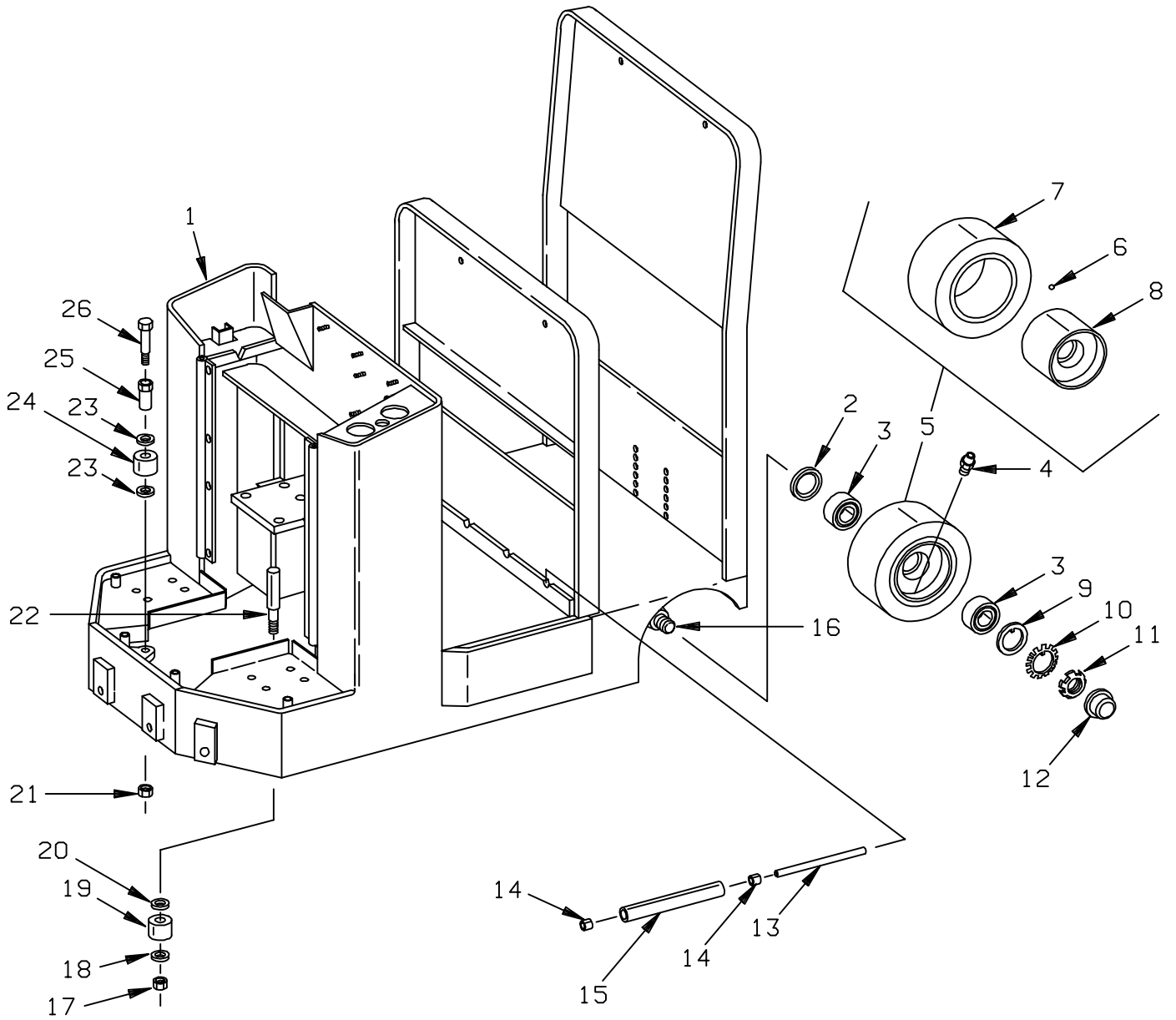


FIGURE # 4.3 FRAME ASSEMBLY



MODEL TT ELECTRIC TOW TRACTOR

NUMERICAL INDEX

<u>PART #</u>	<u>FIG. #</u>	<u>ITEM #</u>	<u>PART #</u>	<u>FIG.#</u>	<u>ITEM #</u>
20151-00	2.11	30	24070-00	2.11	6
20151-00	2.23	1	24121-01	2.5	16
20151-00	2.5	30	24121-01	1.2	7
20160-08	2.19	8	24140-00	0.1	14
20163-01	2.13	23	24141-00	0.1	3
20163-40	2.13	17	24142-00	0.1	1
20163-40	2.5	2	24143-00	1.2	11
20163-40	2.11	3	24143-00	0.1	2
20163-49	2.13	1	24148-02	1.2	22
20163-55	2.13	24	24159-01	4.3	1
20163-59	2.13	27	24163-00	1.1	46
20163-85	2.7	18	24174-00	1.1	17
20208-00	1.3	5	24175-00	1.1	18
20208-00	2.5	28	24177-00	1.1	15
20208-00	2.17	7	24194-01	1.1	25
20208-00	2.11	28	24196-01	1.2	15
20262-01	1.3	27	24199-00	1.2	19
20433-02	2.11	12	24200-00	1.2	10
20433-02	1.2	32	24203-00	2.5	18
20433-02	2.17	4	24203-00	1.2	21
20433-02	2.5	12	24203-00	2.11	18
20536-00	1.4	13	24204-00	2.11	11
20892-01	1.3	29	24207-00	2.17	2
20894-00	1.3	31	24207-00	2.5	11
20897-00	1.3	1	24207-00	1.2	13
20898-00	1.3	30	24211-01	1.1	35
20899-00	1.3	21	24212-00	1.1	6
20912-00	2.19	9	24213-00	1.1	5
20912-00	2.7	6	24213-00	2.11	23
20913-00	2.12	12	24213-00	2.5	23
20913-00	2.6	10	24214-01	4.2	1
20938-01	4.2	6	24216-00	4.2	7
20969-01	1.1	9	24217-00	4.2	9
21074-02	2.10	3	24221-00	4.2	13
21131-00	2.6	22*	24222-00	4.2	19
21131-00	2.5	38*	24223-00	4.4	12
21131-00	2.23	13	24226-00	4.4	8
21131-00	2.11	38*	24227-00	4.4	5
21131-00	2.12	24*	24229-00	4.4	7
21132-00	2.12	21	24236-00	4.4	4
21132-00	2.6	19	24242-00	2.11	16
21132-00	2.5	35	24242-00	1.2	8
21132-00	2.23	10	24243-00	0.1	6
21132-00	2.11	35	24246-00	1.2	1
22004-00	4.3	16	24254-00	0.1	4
22005-00	4.3	9	24254-01	0.1	15
22226-01	1.1	38	24255-00	4.1	1
22226-01	2.11	27	24262-00	1.2	34
22226-01	2.17	18	24266-00	4.1	3
22226-01	2.5	27	24267-00	4.3	8
23015-01	2.19	4	24268-00	4.3	7
23228-01	2.11	29	24269-00	4.3	7
23228-01	2.5	29	24270-00	4.3	5
23228-01	2.17	11	24270-01	4.3	5
23309-01	2.17	13	24293-00	1.2	23
23451-00	2.19	14	24294-00	1.2	30
23456-02	2.17	14	24296-00	1.2	36

ALPHABETICAL INDEX

NAME	FIG.#	PAGE #
A, B, C		
Automatic Coupler and Tow Eye Assembly	4.4	4.7
Contactora Assembly	2.14	2.25
Contactora Assembly	2.20	2.35
Cushion and Floor Mat Installation	4.1	4.1
D, E, F		
Decals and Parts Assembly	0.1	0.1
Drive Motor Assembly	2.22	2.39
Forward & Rearward Contactora Assembly	2.9	2.15
Fourth Speed Contactora Panel Assembly	2.13	2.23
Fourth Speed Control Wiring	2.11	2.19
Fourth Speed Power Component Wiring	2.12	2.21
Frame Assembly	4.3	4.5
H, I, J		
Handle Assembly	1.2	1.3
K, L, M, N		
Numerical Index	*	99.1
O, P		
Power Connector Assembly	2.21	2.37
Q, R		
Resistor 4 Speed Master Control Switch	2.2	2.3
Resistor Control Panel Assembly	2.7	2.11
Resistor Electrical Schematic	2.3	2.5
Resistor Electrical Schematic Symbols	2.4	2.6
Resistor Master Control Switch	2.1	2.1
S		
Shielding Installation	4.2	4.3
Special Tools and Lubrications	10.1	10.1
T, U, V		
Three Speed Contactora Panel Assembly	2.10	2.17
Three Speed Control Wiring	2.5	2.7
Three Speed Power Wiring	2.17	2.29
Three Speed Power Wiring	2.6	2.9
Transistor Control Wiring Assembly	2.18	2.31
Transistor Electrical Schematic	2.15	2.27
Transistor Electrical Schematic Symbols	2.16	2.28
Transistor Power Component Wiring	2.19	2.33
Transmission and Handle Assembly	1.1	1.1
Transmission Assembly, Part #I	1.3	1.11
Transmission Assembly, Part #II	1.4	1.13
Two/Three Speed Contactora Assembly	2.8	2.13

FIGURE # 1.4 TRANSMISSION ASSEMBLY PART II

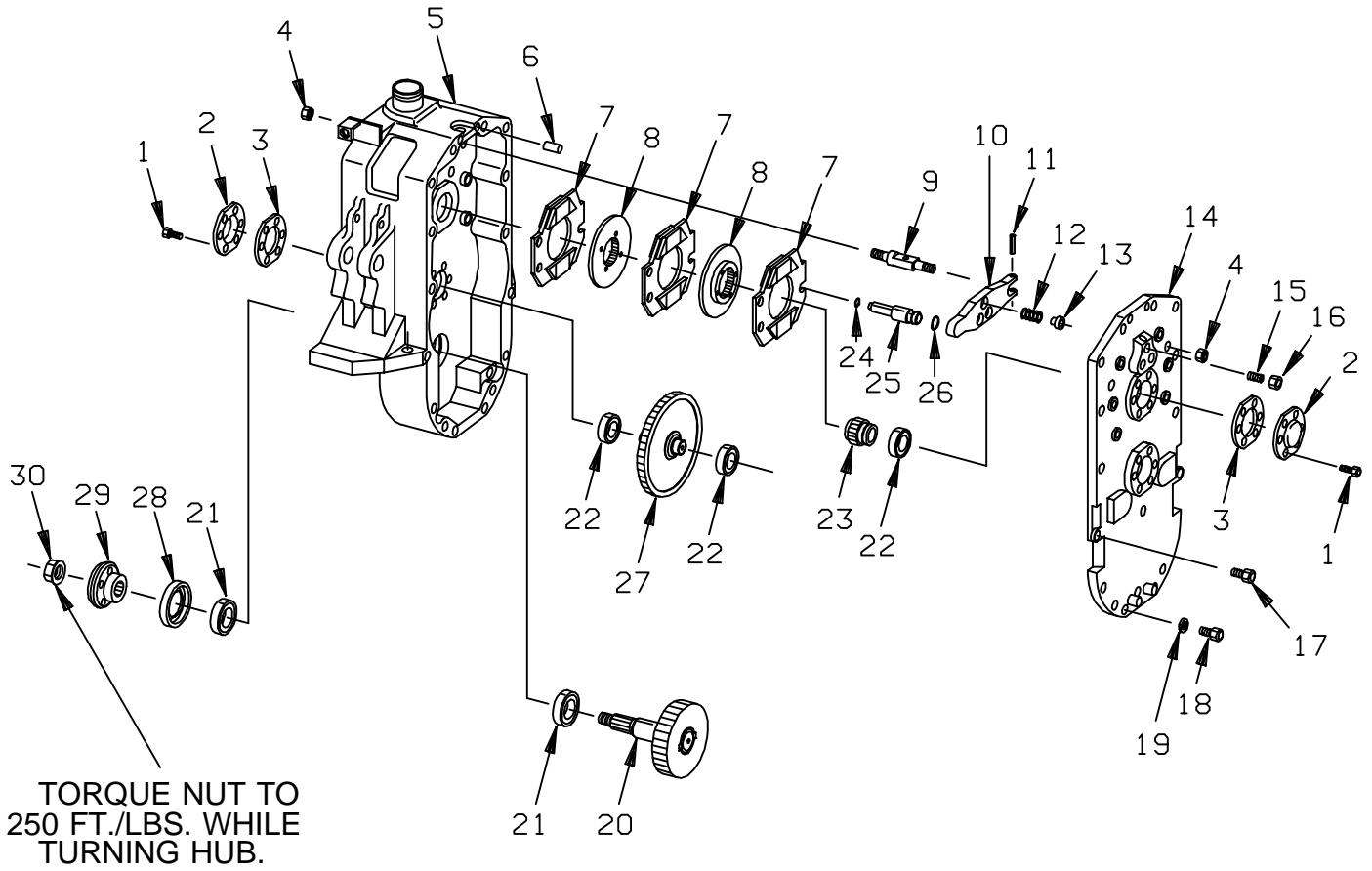


FIGURE # 2.6 THREE SPEED POWER WIRING

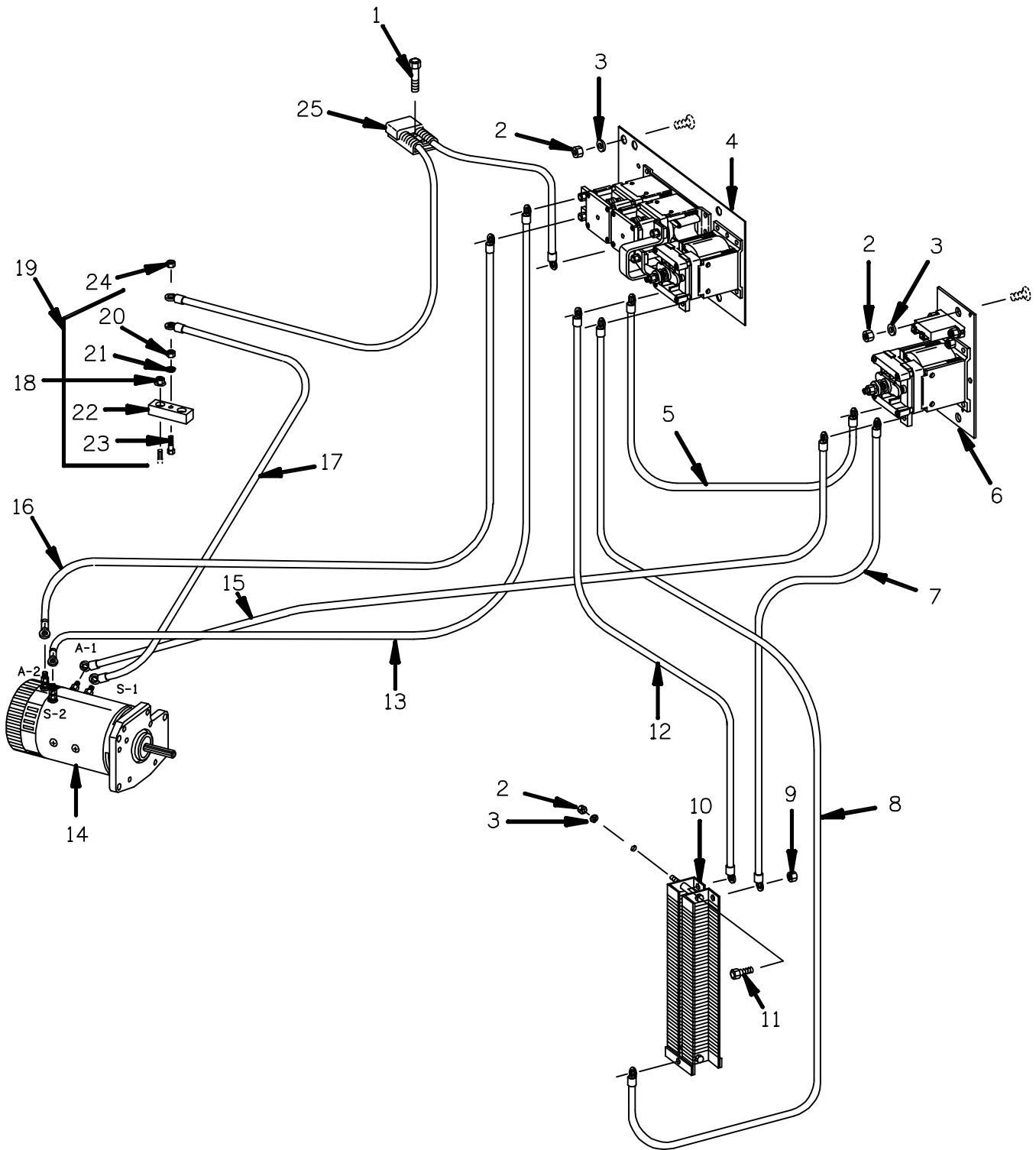


FIGURE # 2.11 FOURTH SPEED CONTROL WIRING

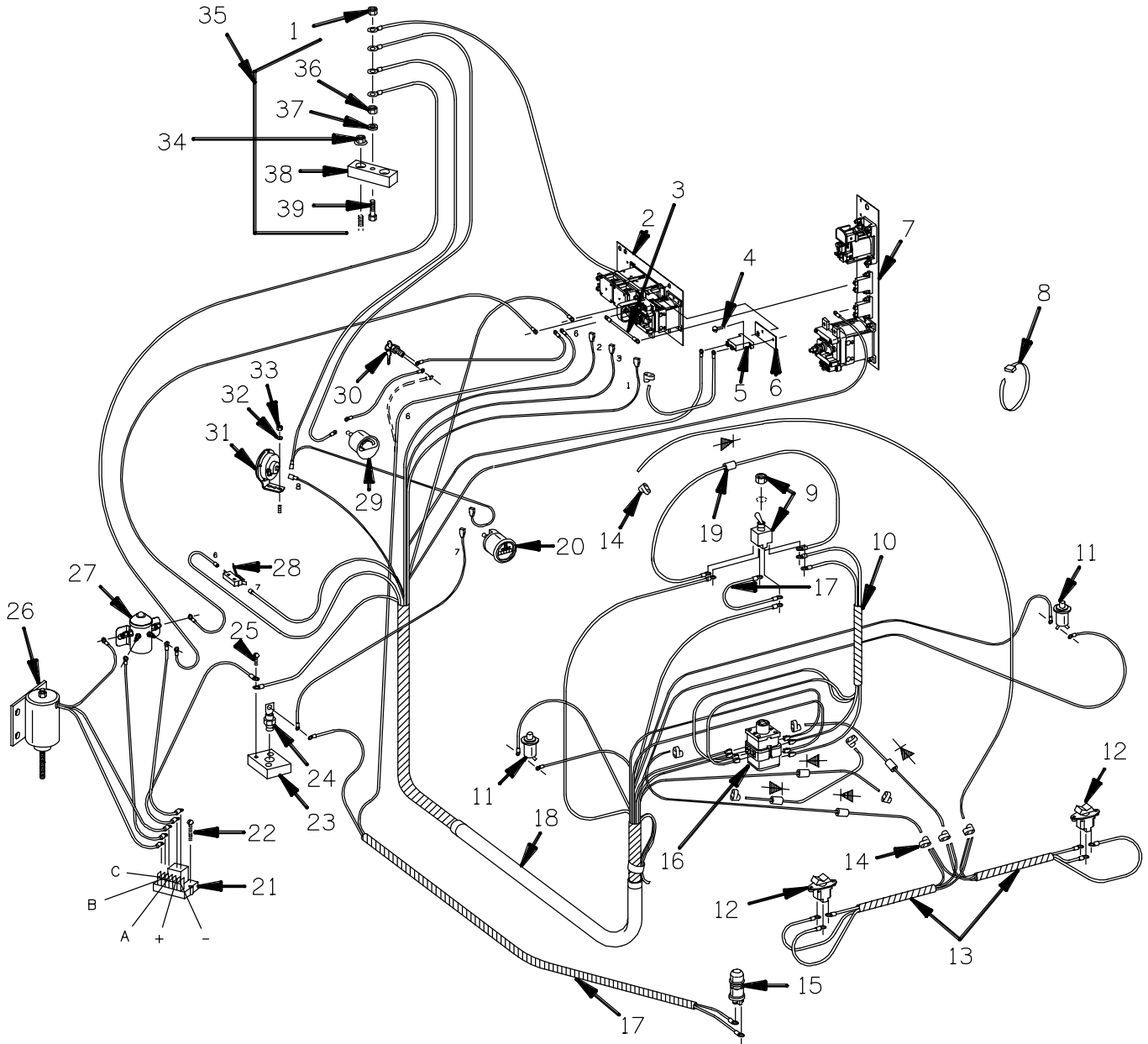


FIGURE # 2.17 TRANSISTOR CONTROL WIRING ASSEMBLY

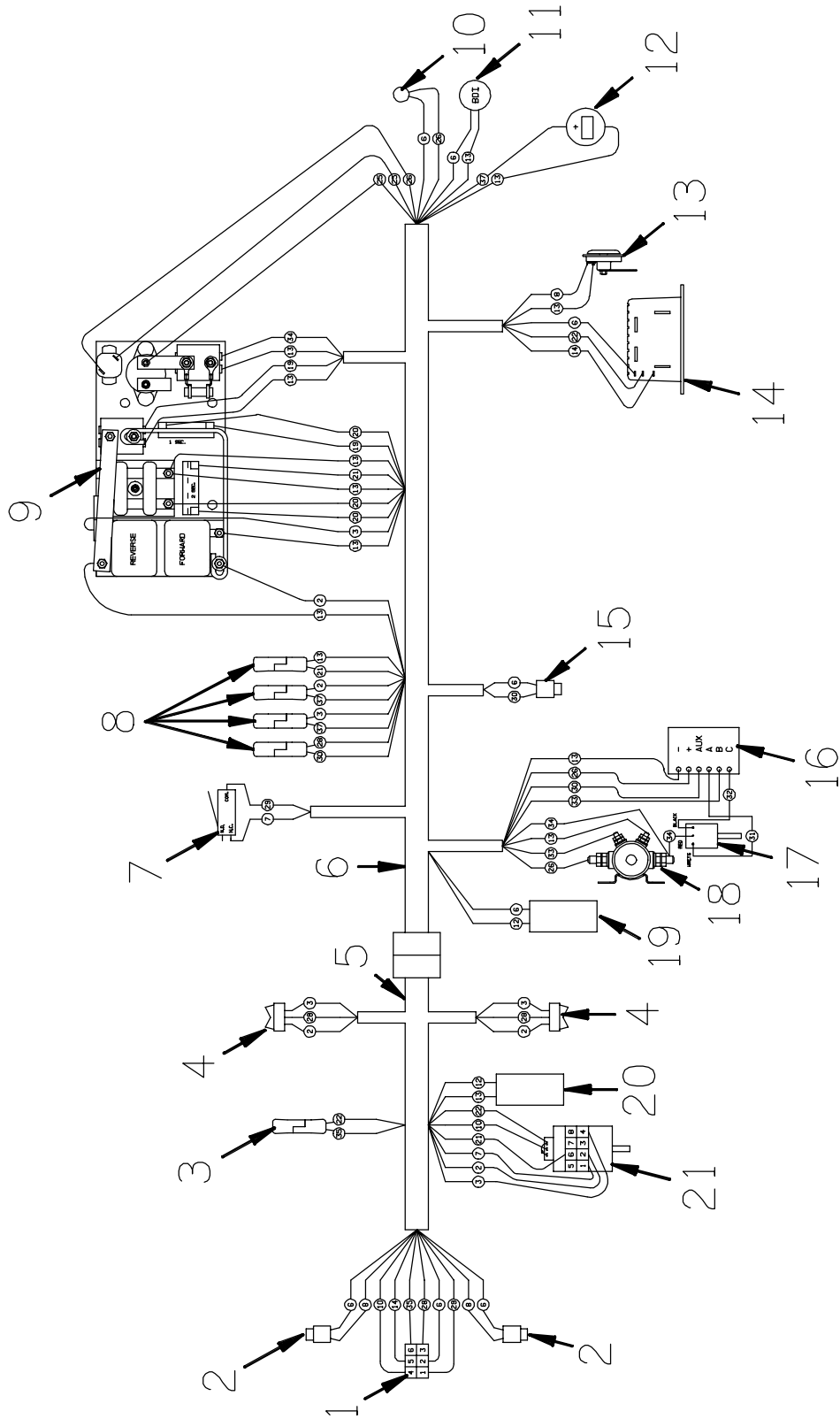


FIGURE # 2.22 DRIVE MOTOR ASSEMBLY (28500-00)

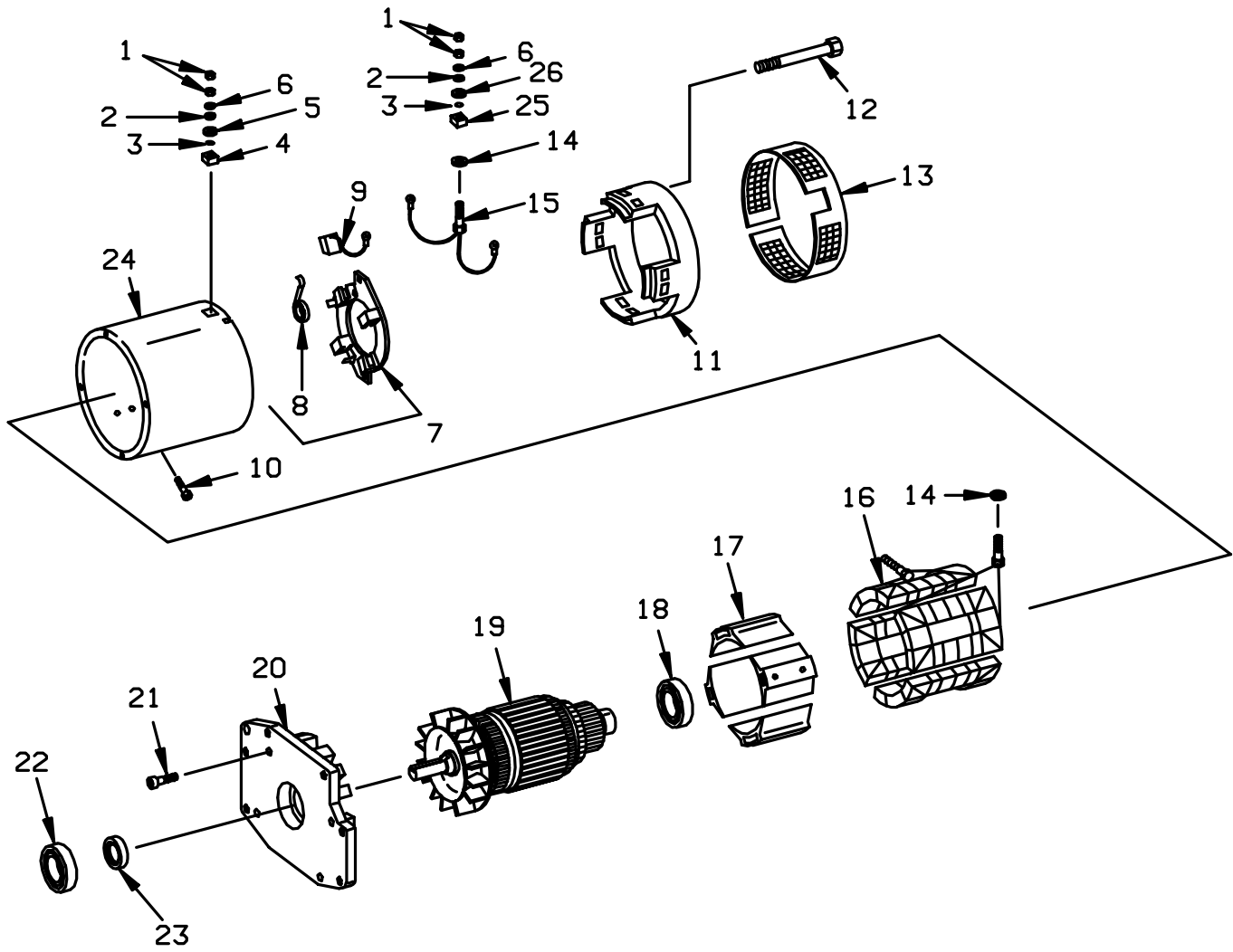
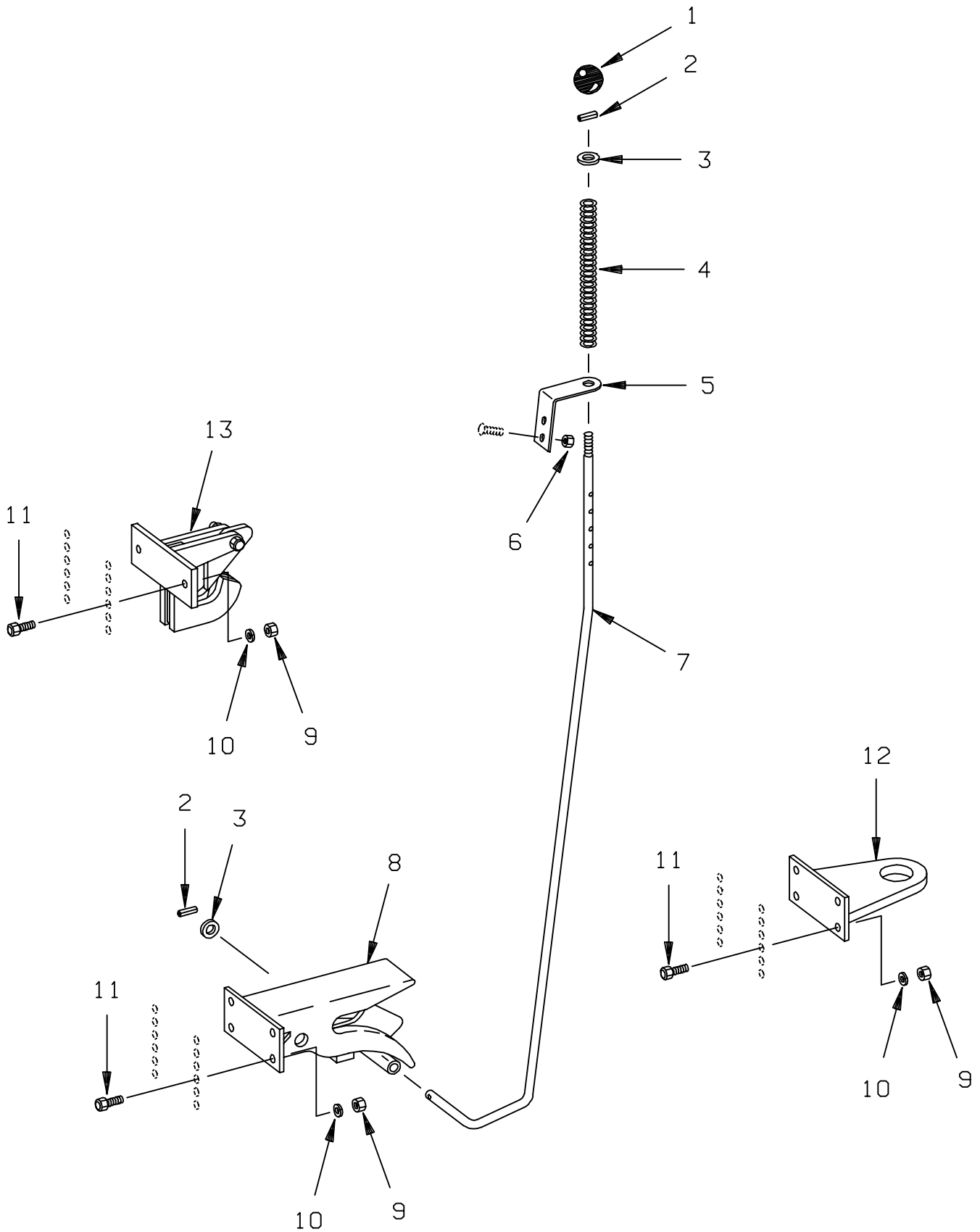


FIGURE # 4.4 AUTOMATIC COUPLER AND TOW EYE ASSEMBLY



MODEL TT ELECTRIC TOW TRACTOR

NUMERICAL INDEX

<u>PART #</u>	<u>FIG. #</u>	<u>ITEM #</u>	<u>PART #</u>	<u>FIG.#</u>	<u>ITEM #</u>
28500-00	1.3	8	49742-00	2.11	24
29018-00	1.3	26	49742-00	2.5	24
29019-00	1.4	29	49749-00	1.2	8
29020-00	1.4	20	49749-00	2.5	9
300128-000	10.1	2	49749-00	2.17	1
300129-000	10.1	3	49749-00	2.11	9
300161-000	10.1	4	49750-00	4.3	6
300213-001	0.1	*	49751-06	1.2	27
300408-002	0.1	*	49751-19	1.4	30
300409-004	0.1	*	49771-01	2.19	16
300540-000	2.22	14	49779-00	2.12	6
300541-000	2.22	25	49788-00	1.1	50
300542-000	2.22	3	49788-00	4.2	18
300544-000	2.22	2	49815-00	2.5	20
300545-000	2.22	6	49815-00	2.17	12
300546-000	2.22	1	49815-00	2.11	20
300553-000	2.22	4	49831-00	2.17	19
300553-000	2.22	26	49831-00	2.23	20
300554-000	2.22	5	49852-01	2.21	3
300555-000	2.22	10	49852-03	2.21	9
300556-000	2.22	17	49853-01	2.21	4
300558-000	2.22	18	49854-02	2.21	8
300560-000	2.22	22	49854-03	2.21	2
300571-000	2.22	12	49854-04	2.21	2
300572-000	2.22	13	49854-05	2.21	8
300573-000	2.22	11	49854-05	2.21	2
300574-000	2.22	15	49854-06	2.21	8
300577-000	2.22	8	49855-05	2.21	1
300578-000	2.22	*	49855-30	2.21	1
300579-000	2.22	*	49855-31	2.21	1
300580-000	2.22	24	49855-37	2.21	7
300581-000	2.22	16	49855-39	2.21	7
300582-000	2.22	19	49855-43	2.21	1
300583-000	2.22	20	49855-51	2.21	1
300584-000	2.22	23	49855-52	2.21	7
300585-000	2.22	21	49855-53	2.21	1
301327-005	2.22	9	49855-54	2.21	7
301327-042	2.22	7	49855-55	2.21	7
301582-000	10.1	*	49855-56	2.21	7
301583-000	10.1	*	49856-01	2.6	5
301584-000	10.1	*	49856-01	2.12	8
302066-001	0.1	10	49856-03	2.12	19
49350-06	2.17	3	49856-03	2.12	4
49506-03	2.23	5	49856-03	2.6	17
49506-03	2.17	20	49856-04	2.6	16
49521-00	2.13	22	49856-04	2.12	18
49521-00	2.19	7	49856-05	2.6	7
49521-00	2.5	5	49856-05	2.6	12
49521-00	2.11	5	49856-05	2.12	14
49535-00	0.1	5	49856-05	2.12	9
49548-00	2.19	21	49856-06	2.12	15
49576-02	1.1	42	49856-06	2.6	15
49607-00	2.17	8	49856-06	2.12	17
49670-00	10.1	5	49856-06	2.6	13
49742-00	1.1	3	49856-07	2.18	3

FIGURE #1 DECAL AND PARTS ASSEMBLY

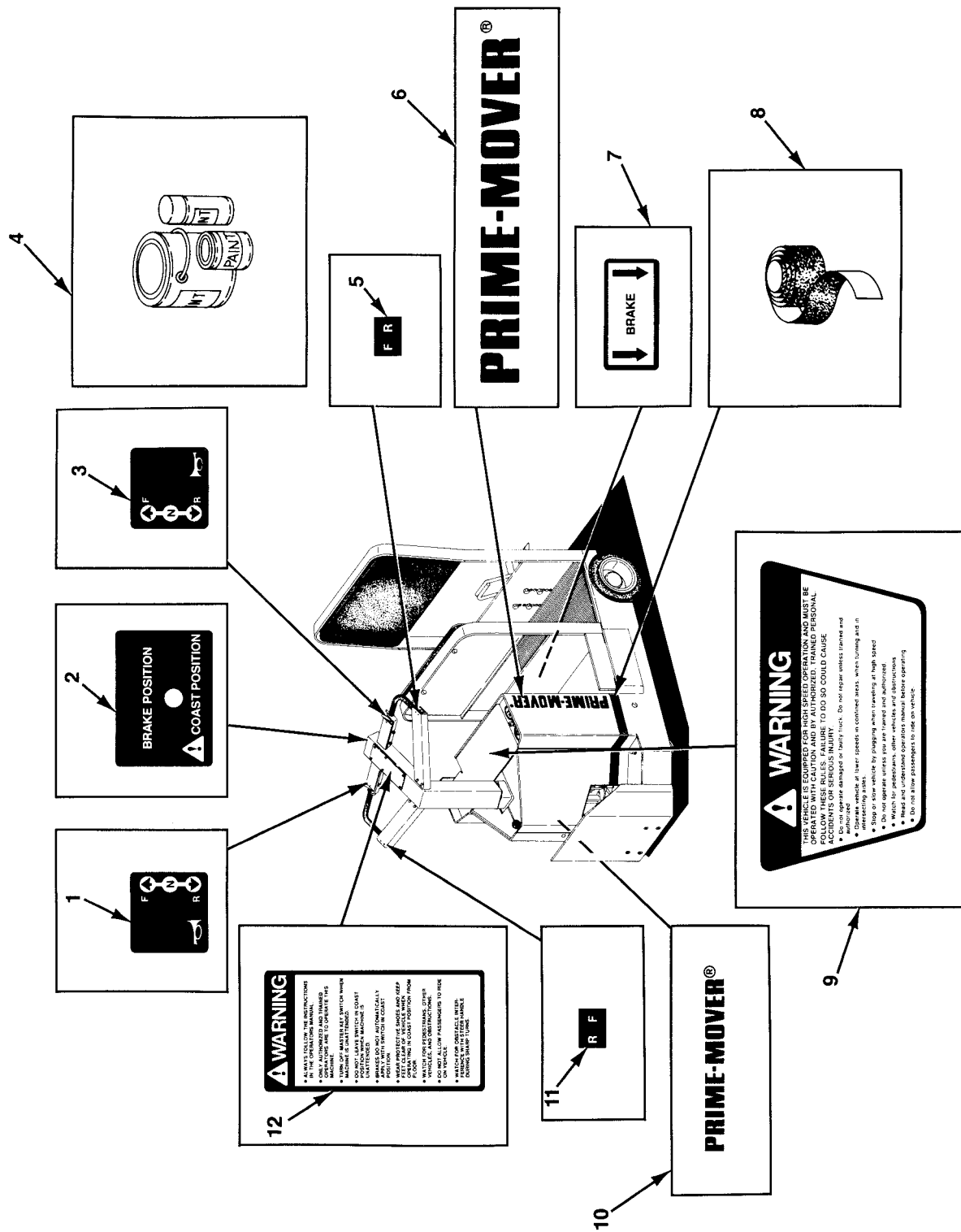


FIGURE #6 MASTER CONTROL SWITCH ASSEMBLY (B-24121-01)

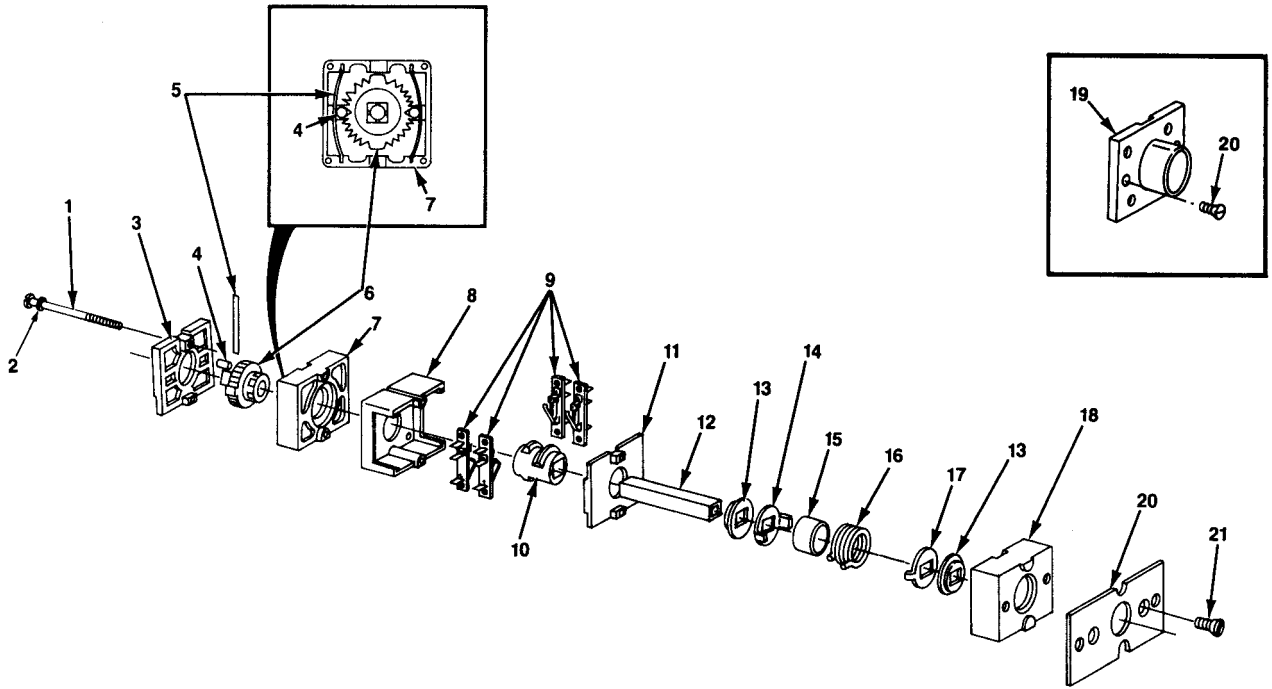
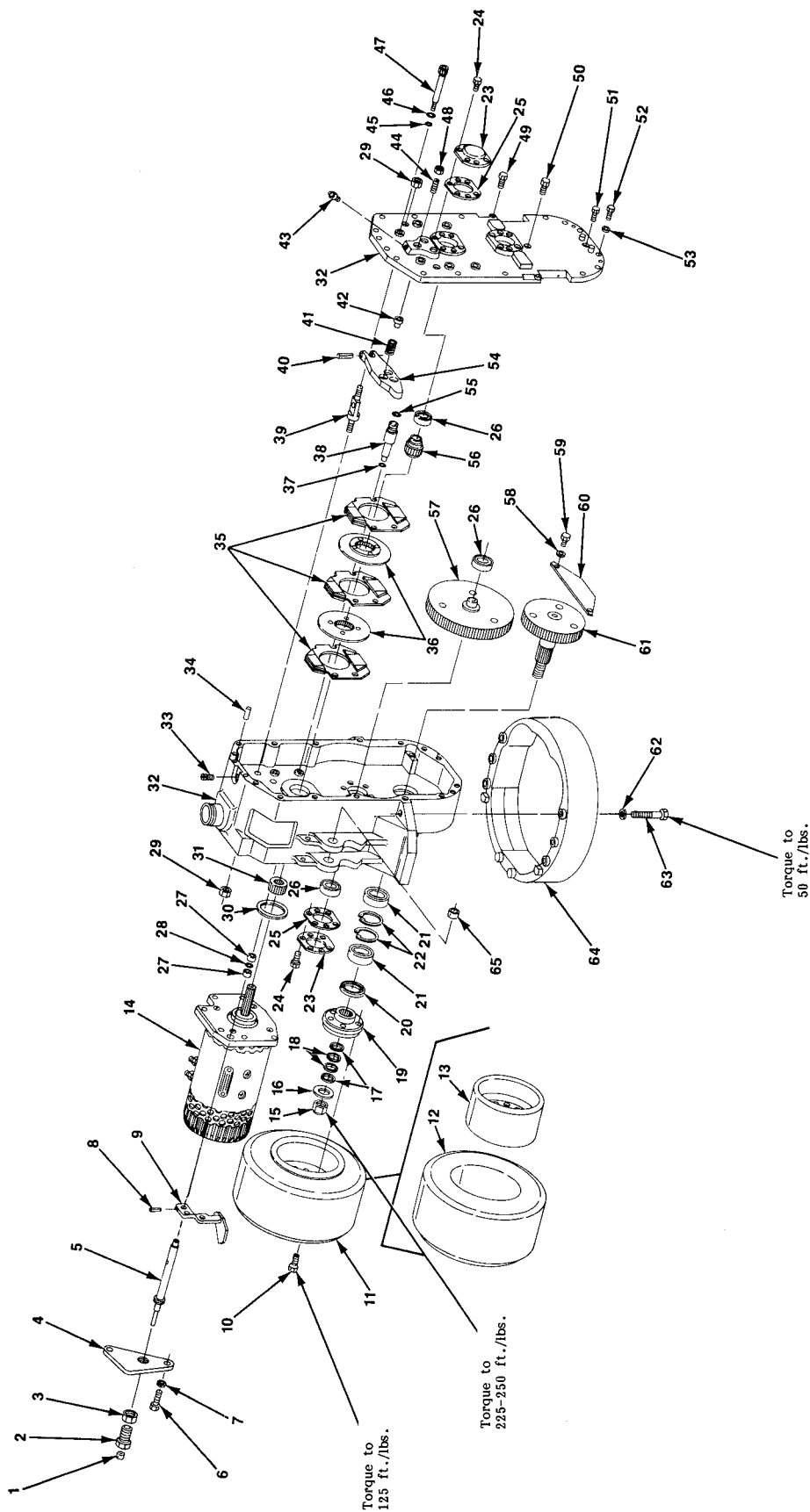


FIGURE #11 TT-70 14:1 TRANSMISSION ASSEMBLY



Service Reference #15700-00

FIGURE #17 TT-50 3 SPEED CONTROL WIRING HARNESS ASSEMBLY

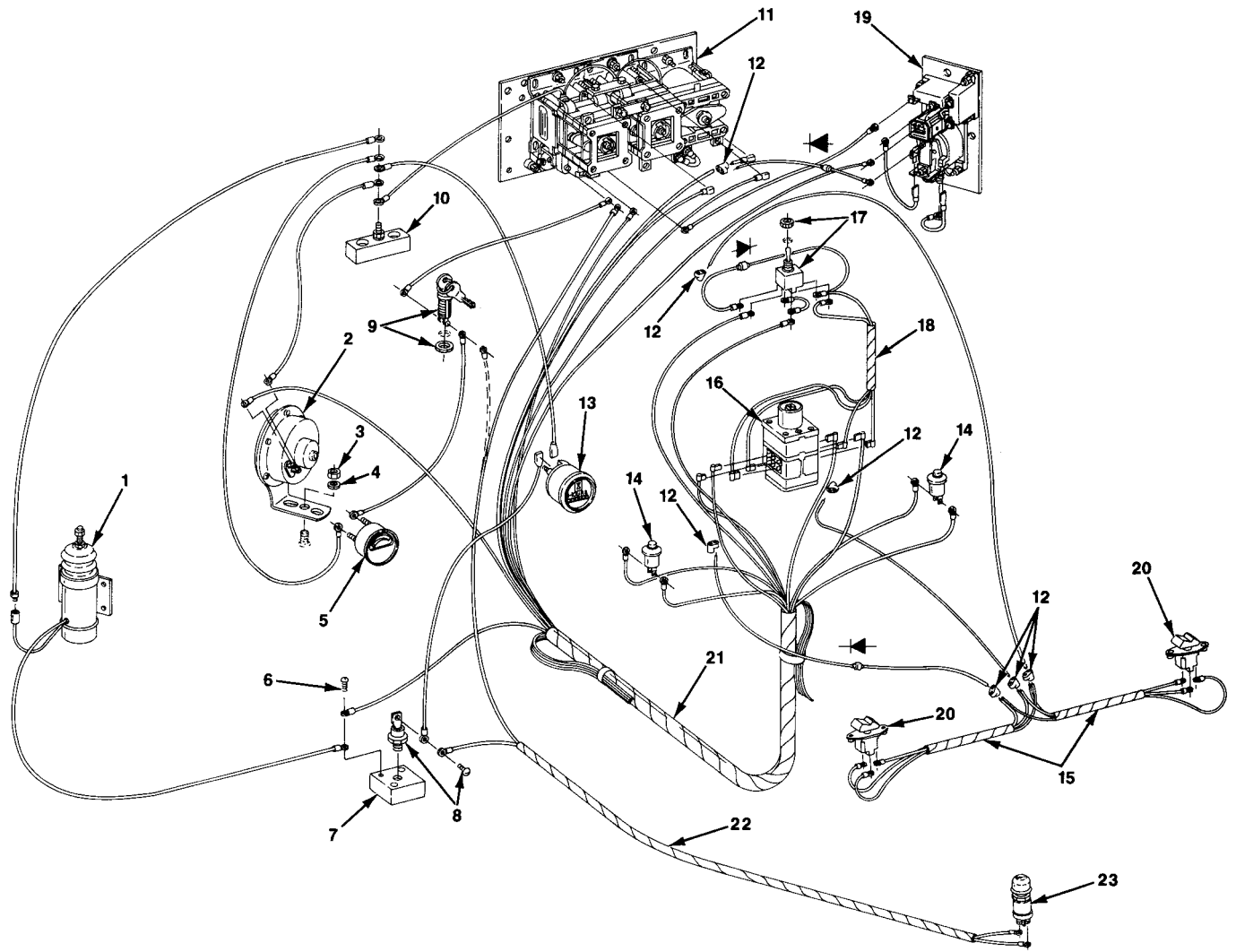


FIGURE #22 TT-70 3 SPEED POWER COMPONENT ASSEMBLY

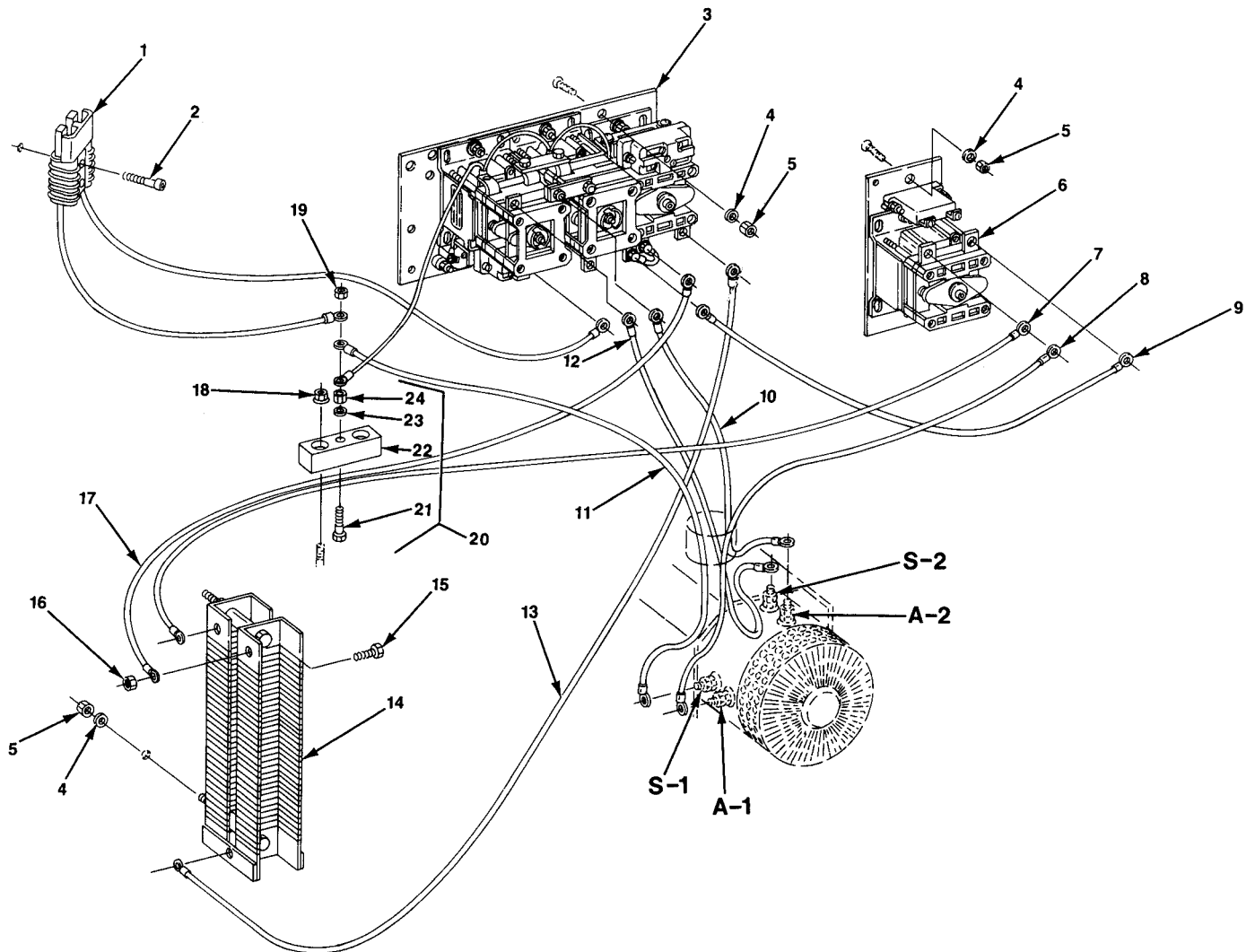


FIGURE #27 TT-50 3 SPEED AND TT-70 CONTROL PANEL ASSEMBLY (C-24232)

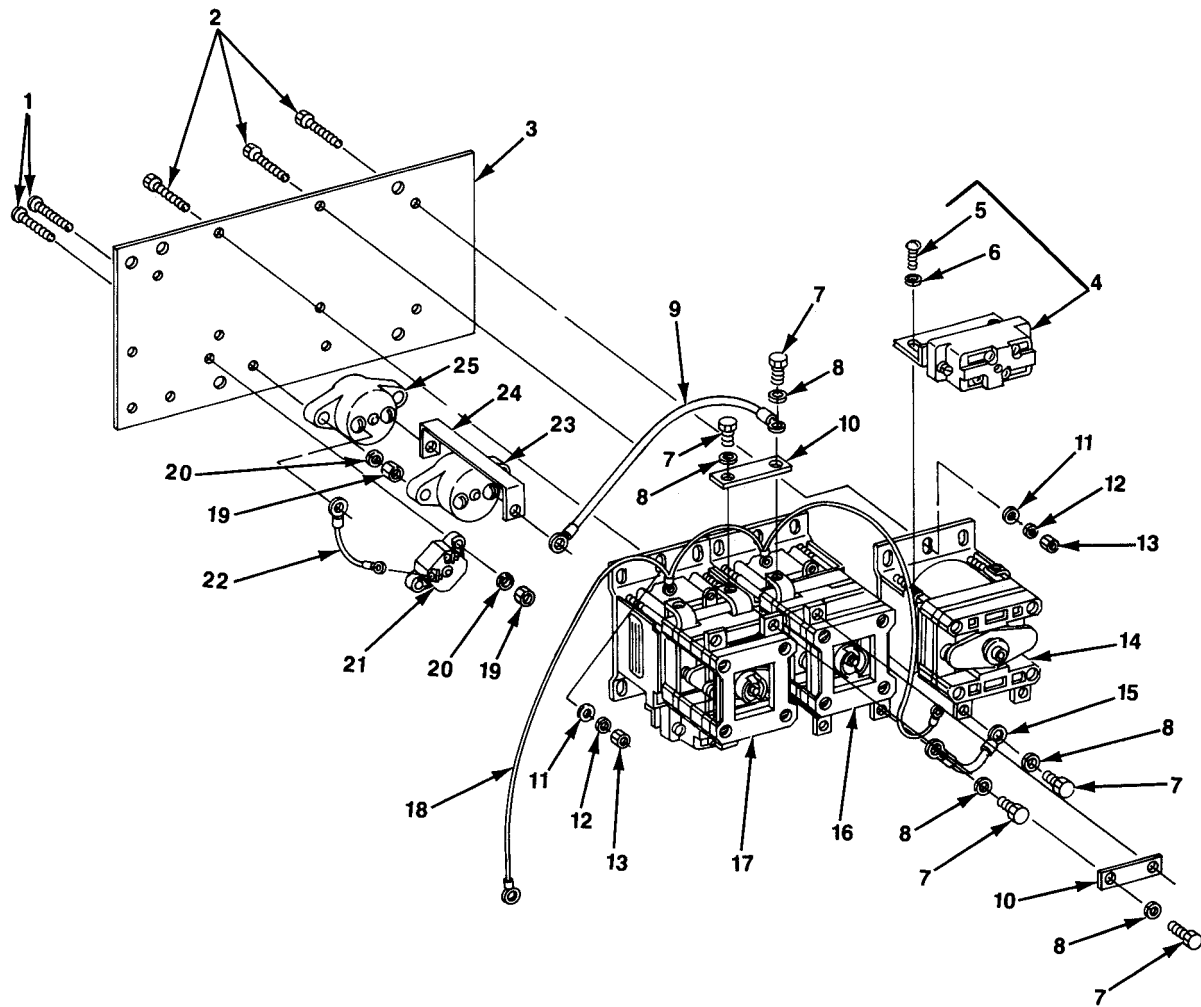
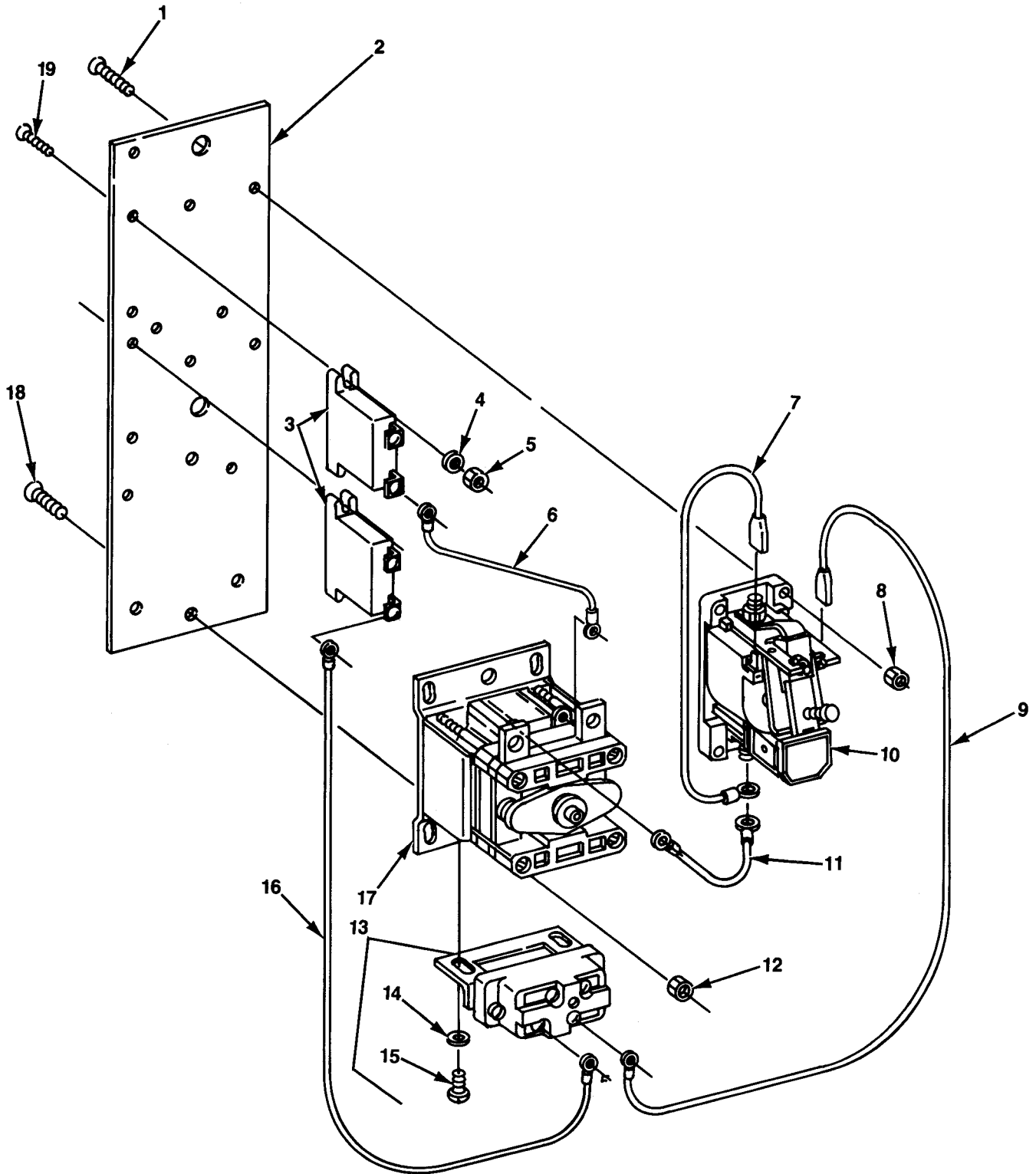


FIGURE #32 4TH SPEED CONTACTOR PANEL ASSEMBLY (B-27198-04)



CLICK HERE TO **DOWNLOAD** THE COMPLETE MANUAL

- Thank you very much for reading the preview of the manual.
- You can download the complete manual from: www.heydownloads.com by clicking the link below



- Please note: If there is no response to CLICKING the link, please download this PDF first and then click on it.

CLICK HERE TO **DOWNLOAD** THE COMPLETE MANUAL