



BT Prime-Mover

**TMX**

## ● Parts Manuals

303046-000 1994\_June  
303046-000 1995\_January  
303046-001 1995\_March  
303046-002 1995\_September  
303046-003 1996\_January  
303046-003 1997\_January  
303046-003 1997\_June  
303046-003 1998\_August  
303046-003 1999\_October  
303046-004 2002\_March



CLICK HERE TO **DOWNLOAD** THE COMPLETE MANUAL

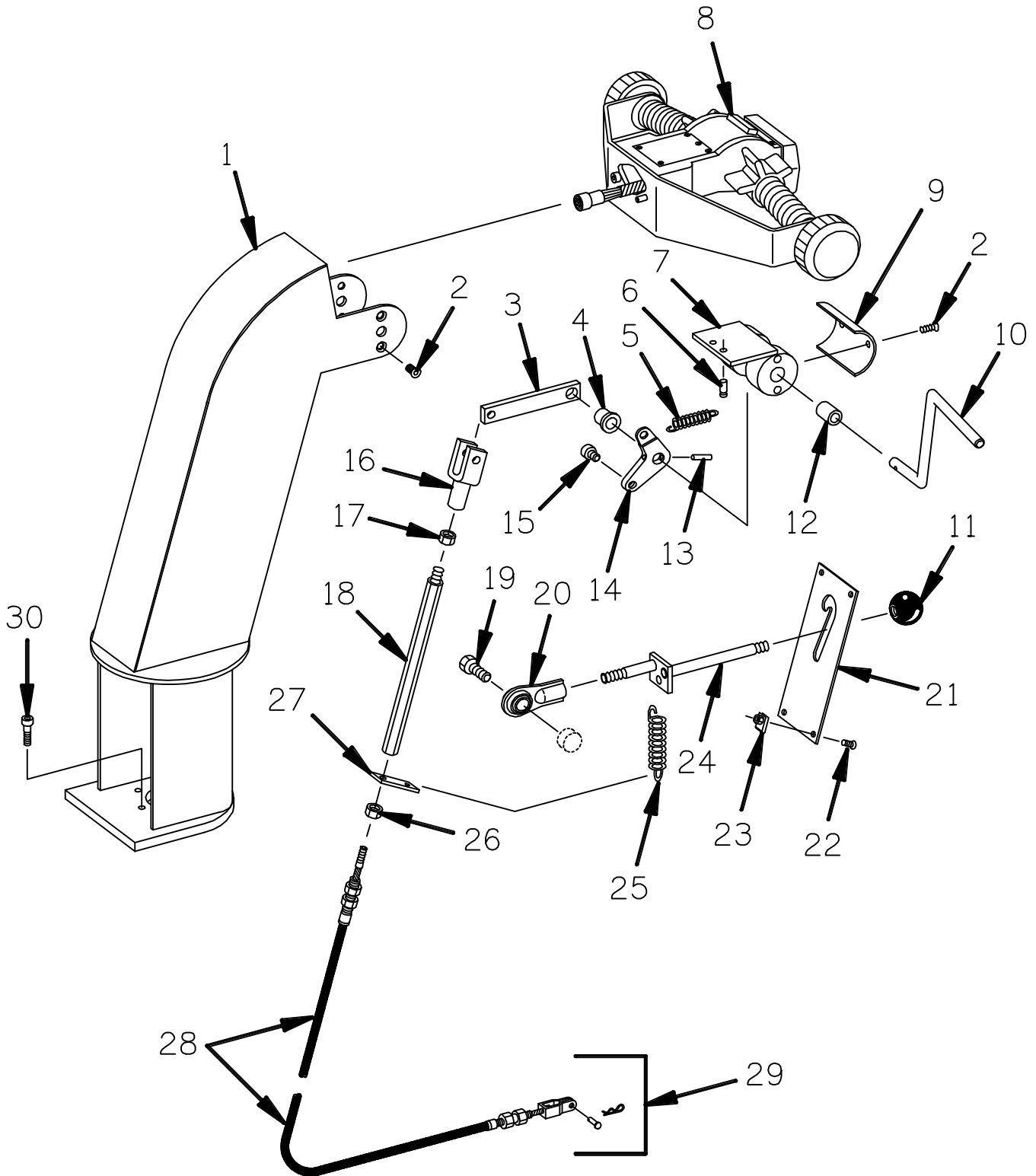
- Thank you very much for reading the preview of the manual.
- You can download the complete manual from: [www.heydownloads.com](http://www.heydownloads.com) by clicking the link below



- Please note: If there is no response to CLICKING the link, please download this PDF first and then click on it.

CLICK HERE TO **DOWNLOAD** THE COMPLETE MANUAL

FIGURE # 1.2 STEERING STEM ASSEMBLY



CONNECT TO BRAKE ON FIGURE # 1.5



FIGURE # 2.7 DRIVE MOTOR ASSEMBLY (302308-000)

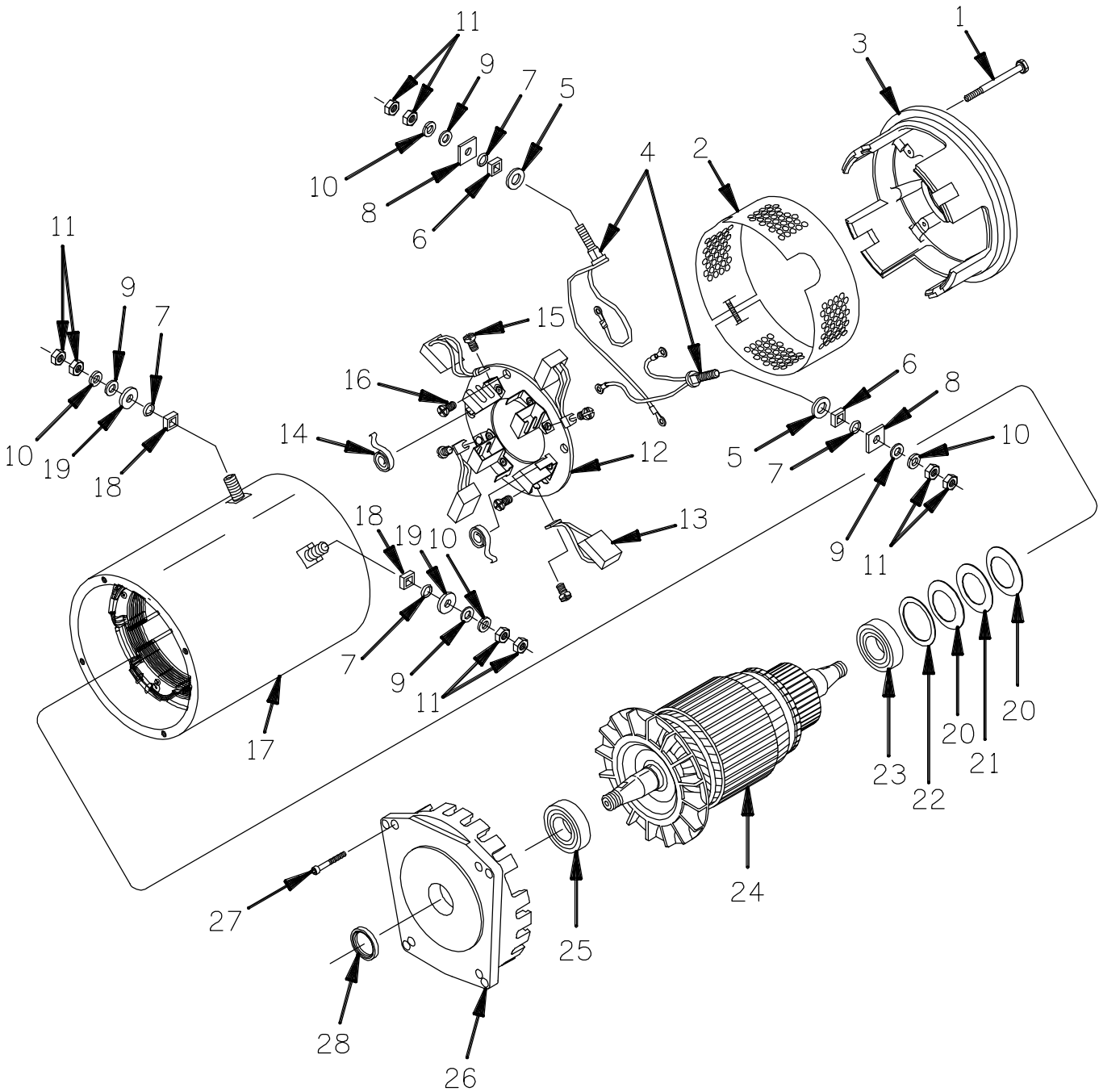
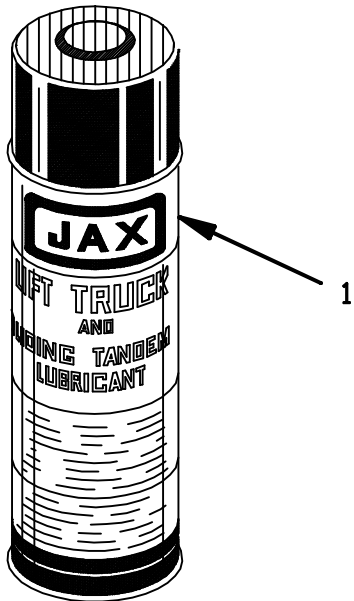
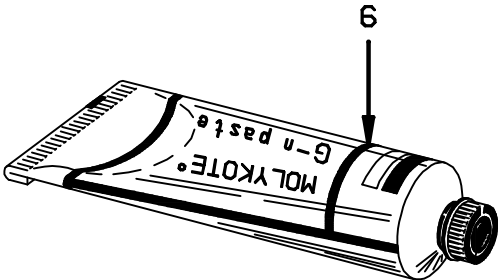
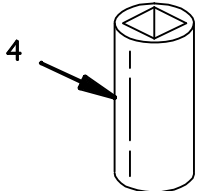
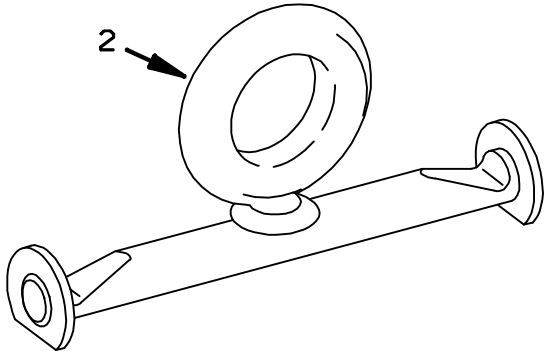
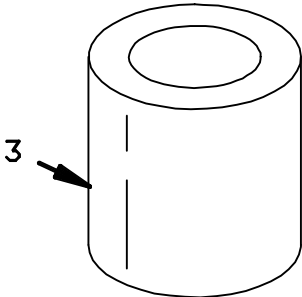
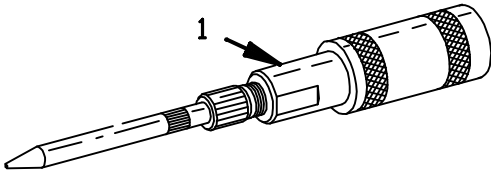


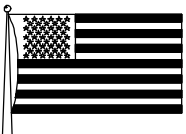
FIGURE # 10.1 SPECIAL TOOLS AND LUBRICATIONS





# PRIME-MOVER

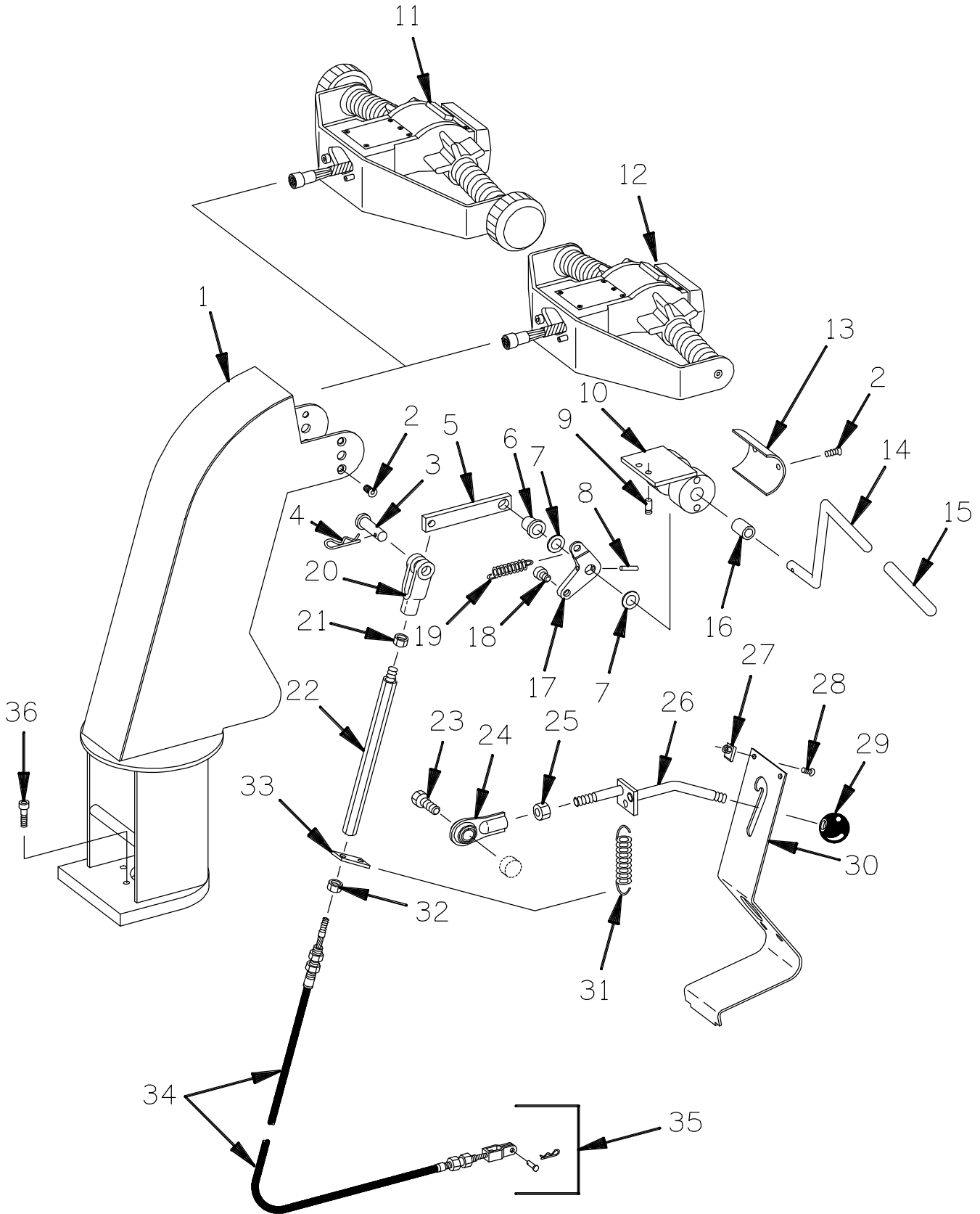
THE PRIME-MOVER CO.  
3000 NORTH US HIGHWAY 61  
MUSCATINE, IOWA 52761-5810



**PROUDLY** \_\_\_\_\_  
Made in **AMERICA**

---

FIGURE # 1.2 STEERING STEM ASSEMBLY



CONNECT TO BRAKE ON FIGURE # 1.5

FIGURE # 2.3 ELECTRICAL ASSEMBLY

**NOTE: USE HEAT CONDUCTING MATERIAL  
DOW #340 BETWEEN PANEL ASSEMBLY  
AND FRAME.**

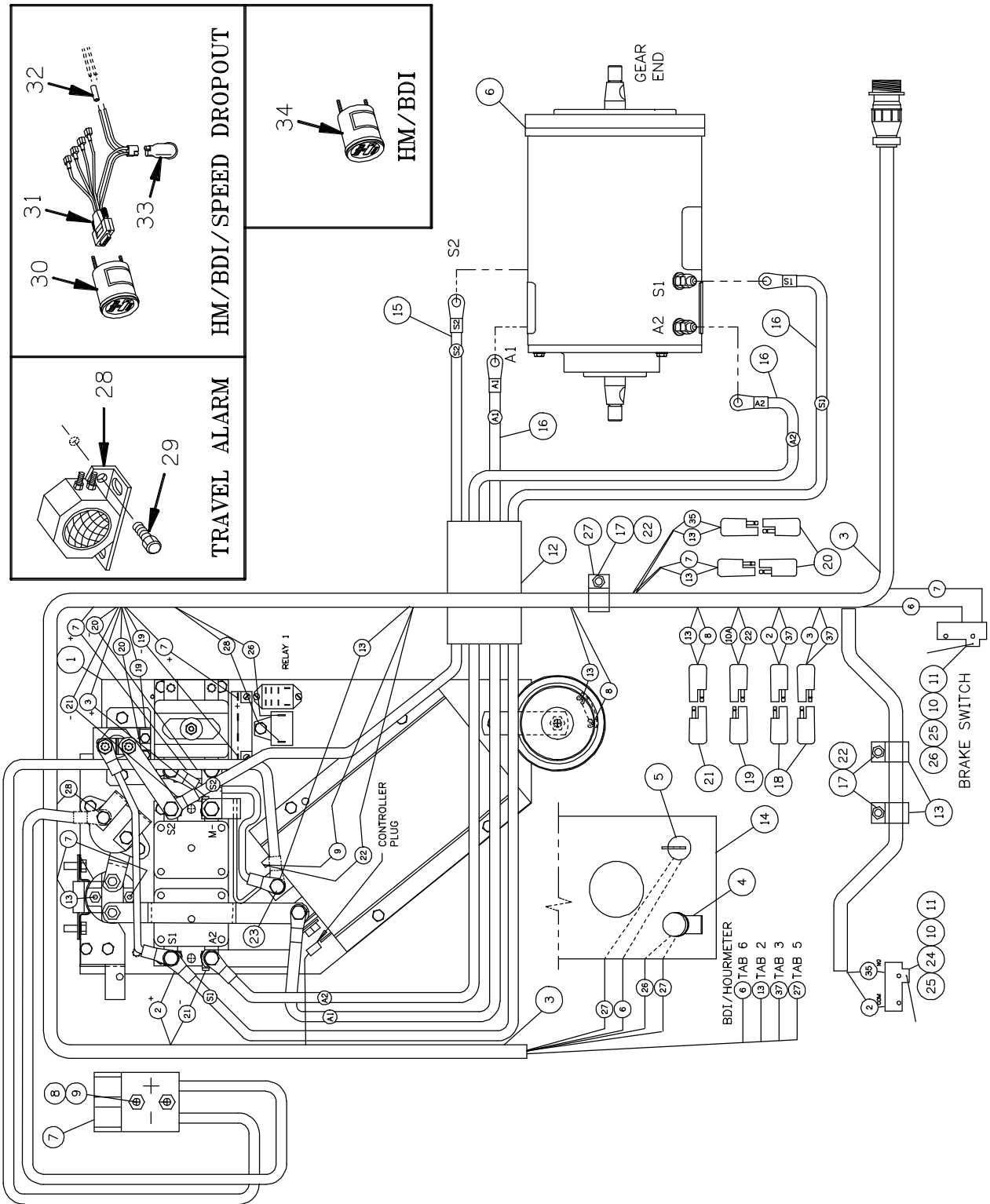


FIGURE # 2.8 POWER CONNECTOR ASSEMBLY

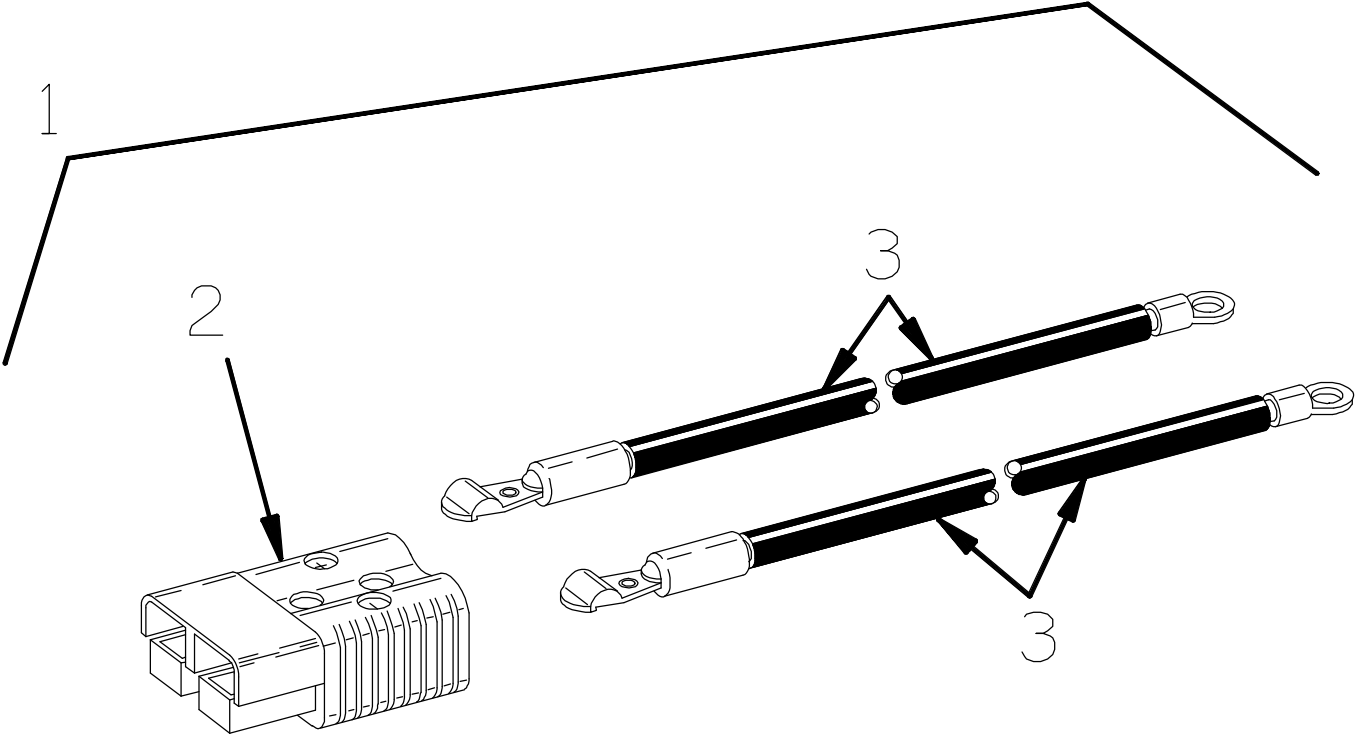
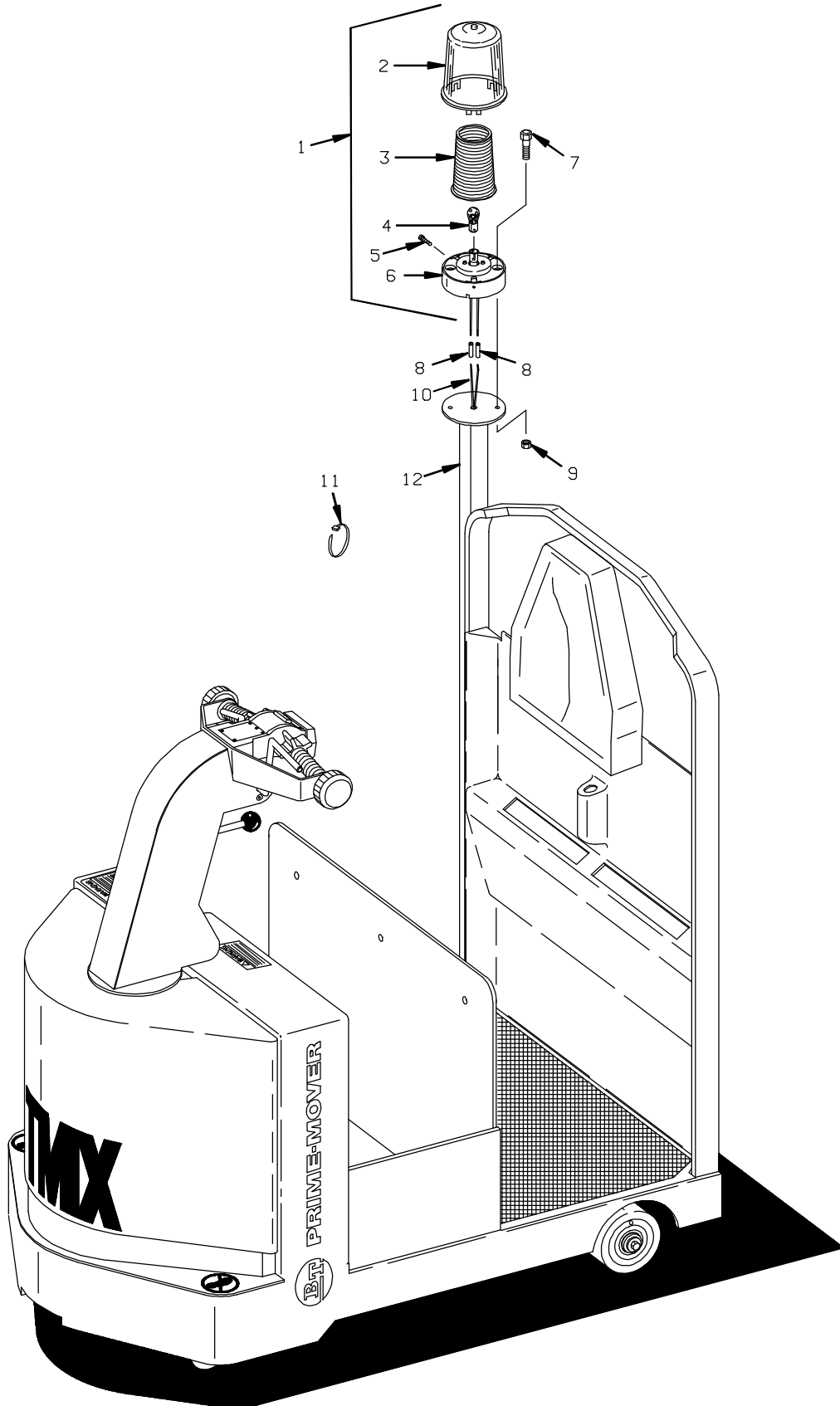


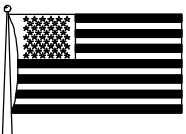
FIGURE # 4.4 FLASHING LIGHT ASSEMBLY (RED 303938-000, AMBER 303938-001)





# PRIME-MOVER

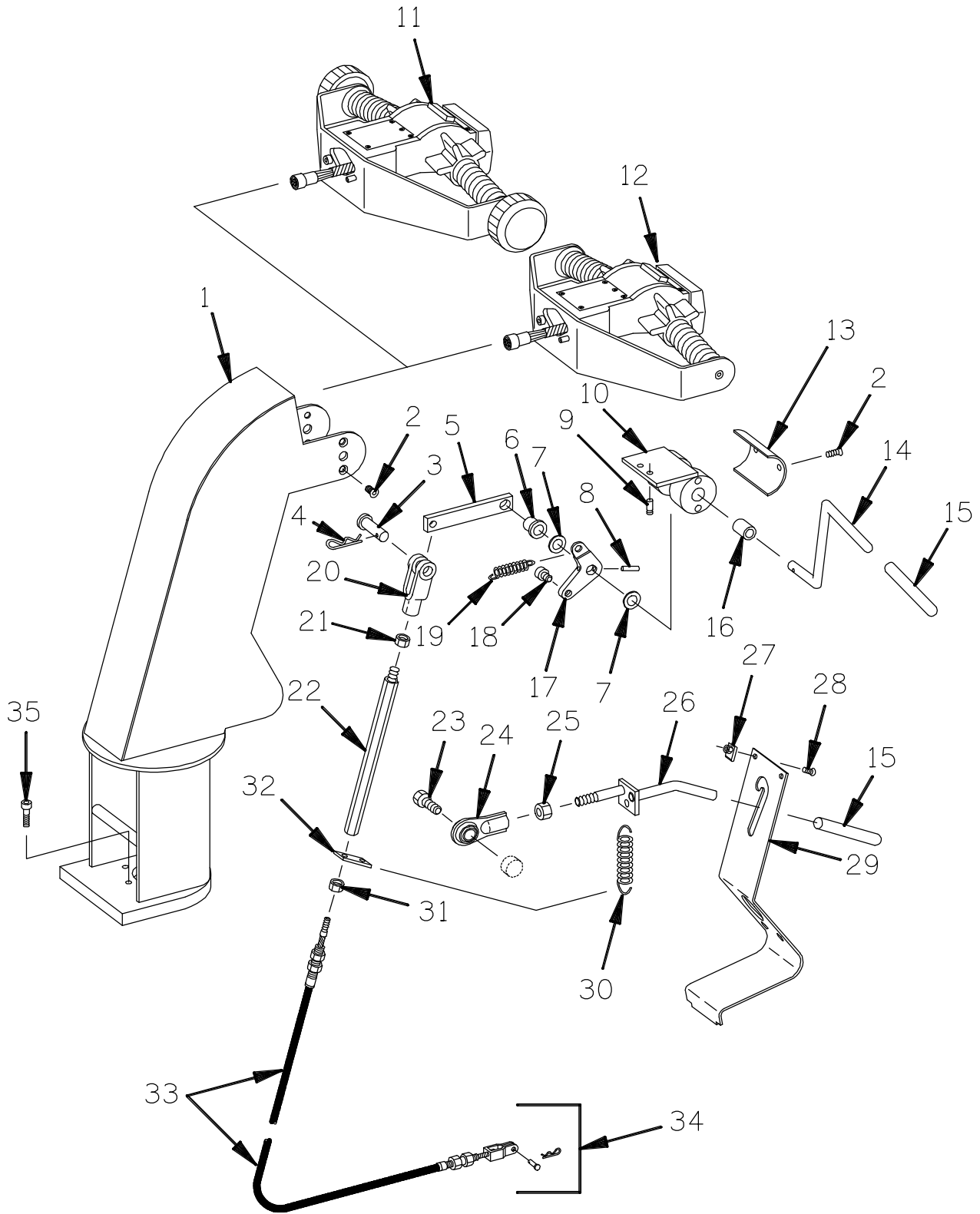
THE PRIME-MOVER CO.  
3000 NORTH US HIGHWAY 61  
MUSCATINE, IOWA 52761-5810



**PROUDLY** \_\_\_\_\_  
Made in **AMERICA**

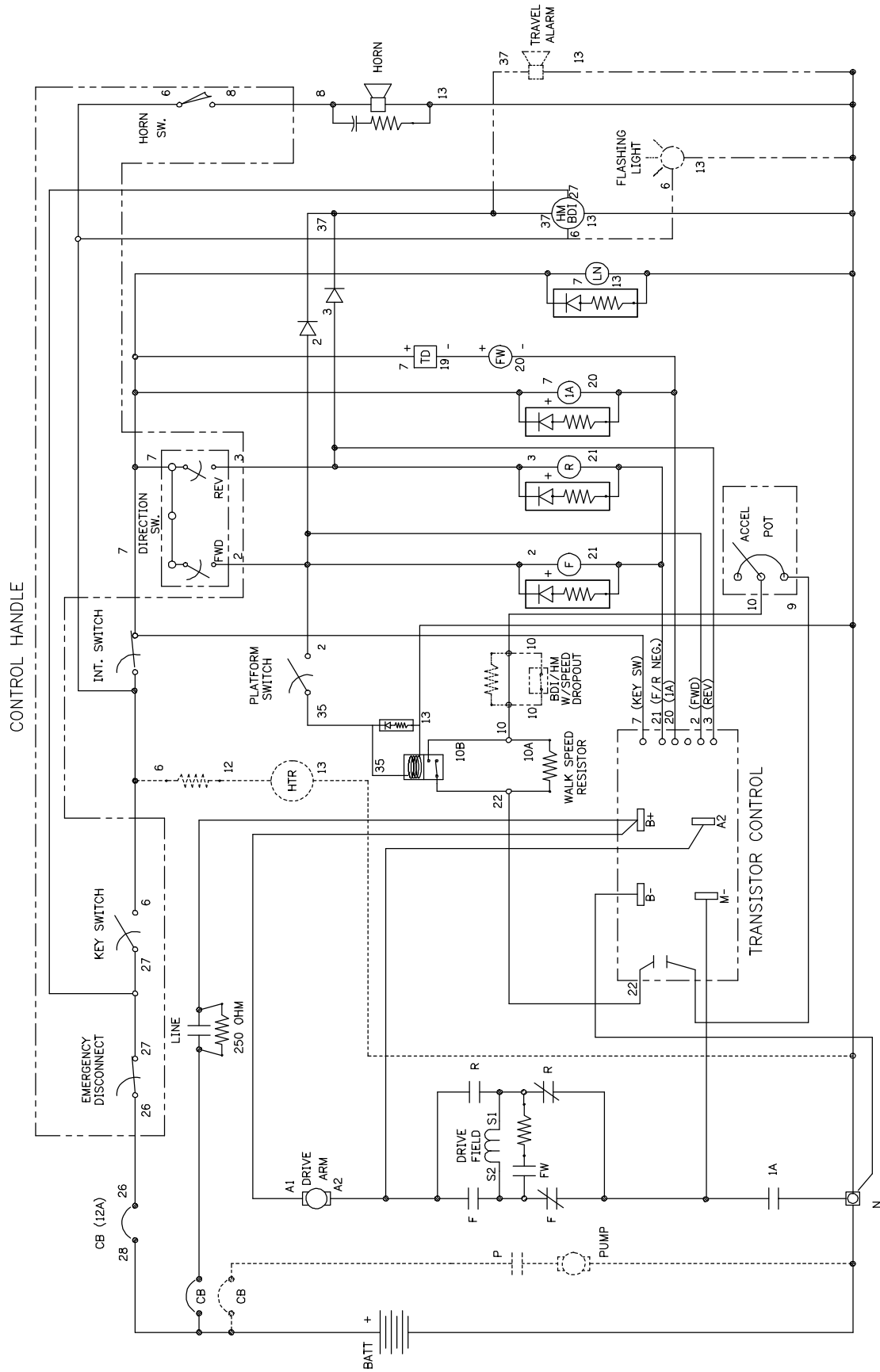
---

FIGURE # 1.2 STEERING STEM ASSEMBLY



CONNECT TO BRAKE ON FIGURE # 1.5

FIGURE # 2.1 ELECTRICAL SCHEMATIC



ELECTRICAL SCHEMATIC

FIGURE # 2.7 MOTOR ASSEMBLY, DRIVE

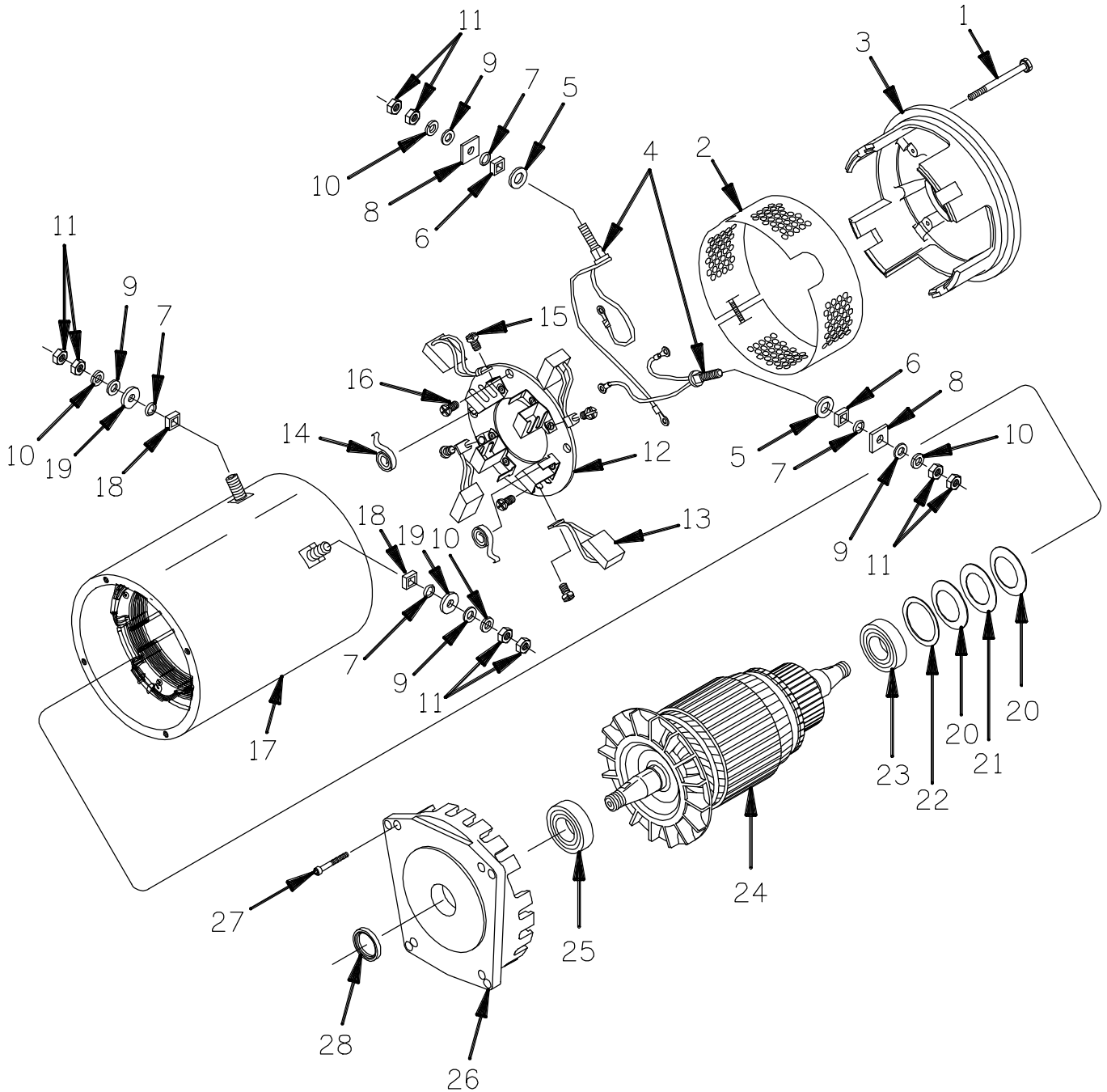
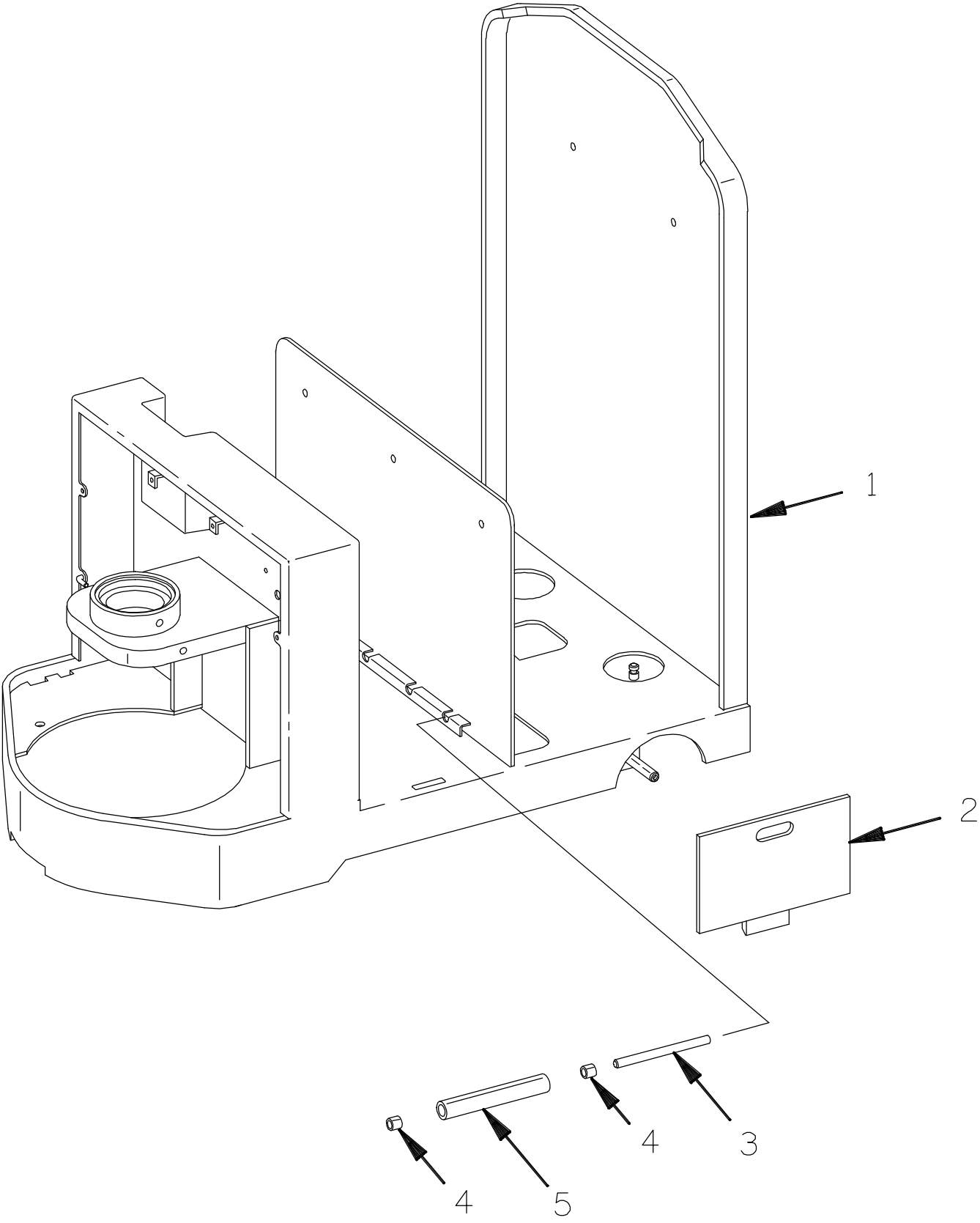


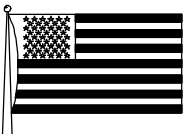
FIGURE # 4.3 BATTERY COMPARTMENT ROLLERS





# PRIME-MOVER

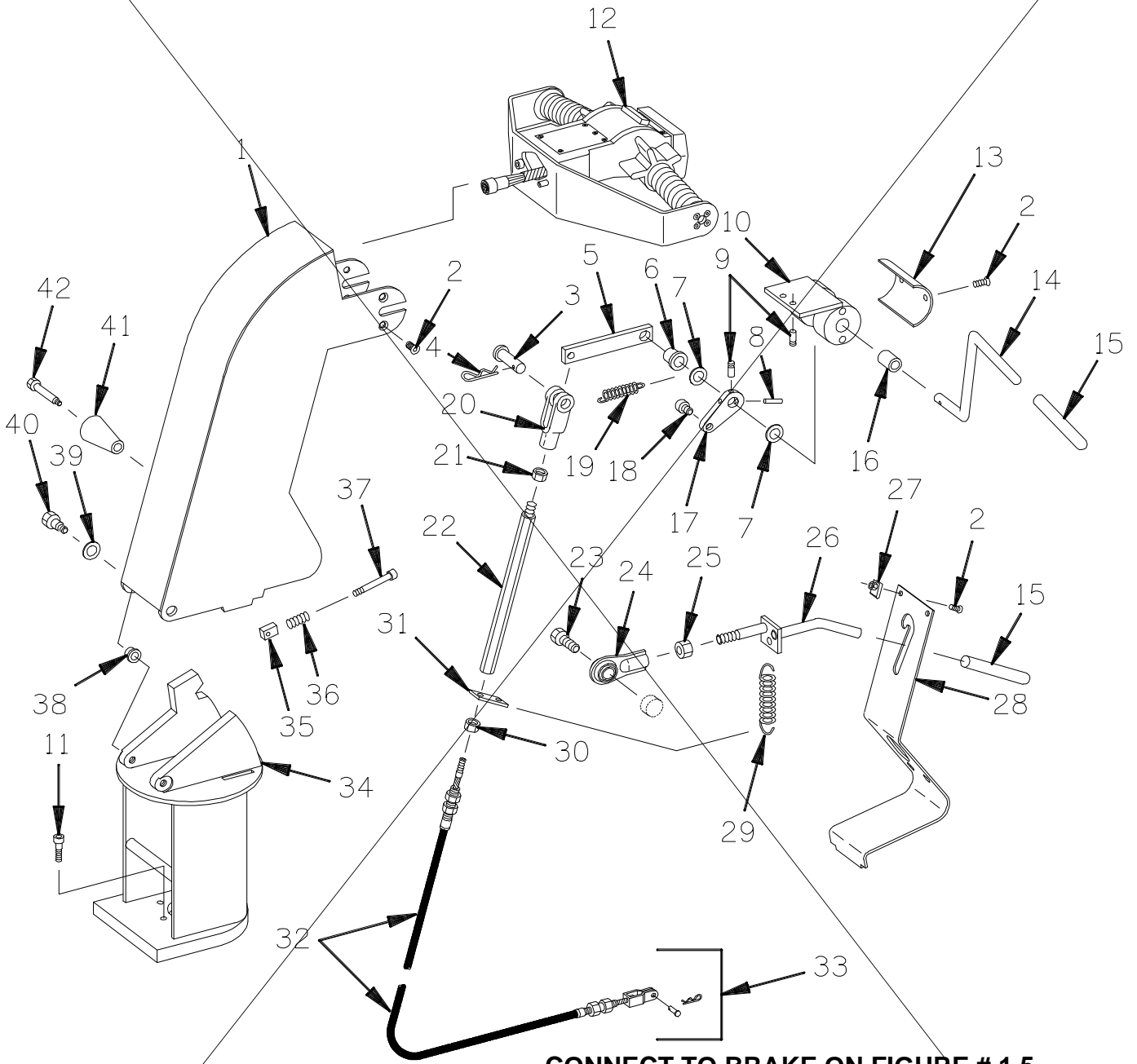
THE PRIME-MOVER CO.  
3000 NORTH US HIGHWAY 61  
MUSCATINE, IOWA 52761-5810



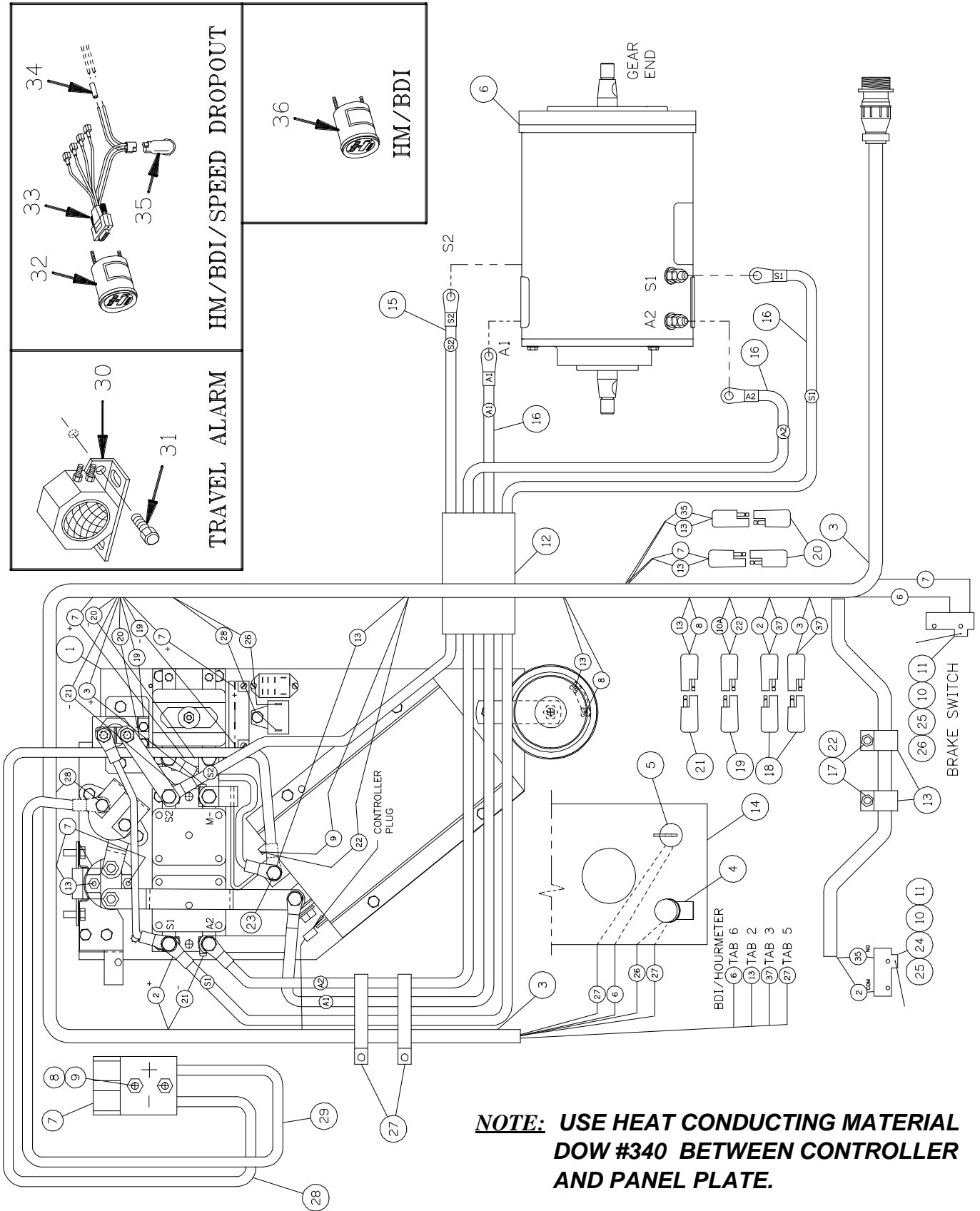
**PROUDLY** \_\_\_\_\_  
Made in **AMERICA**

---

**FIGURE 1.2 STEERING STEM ASSEMBLY**

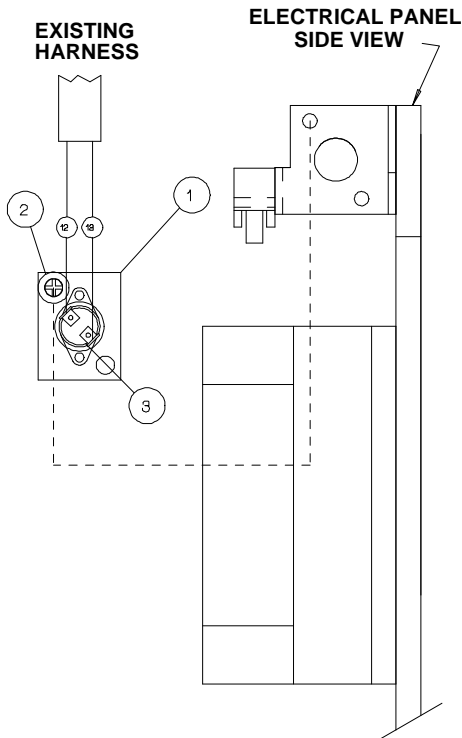
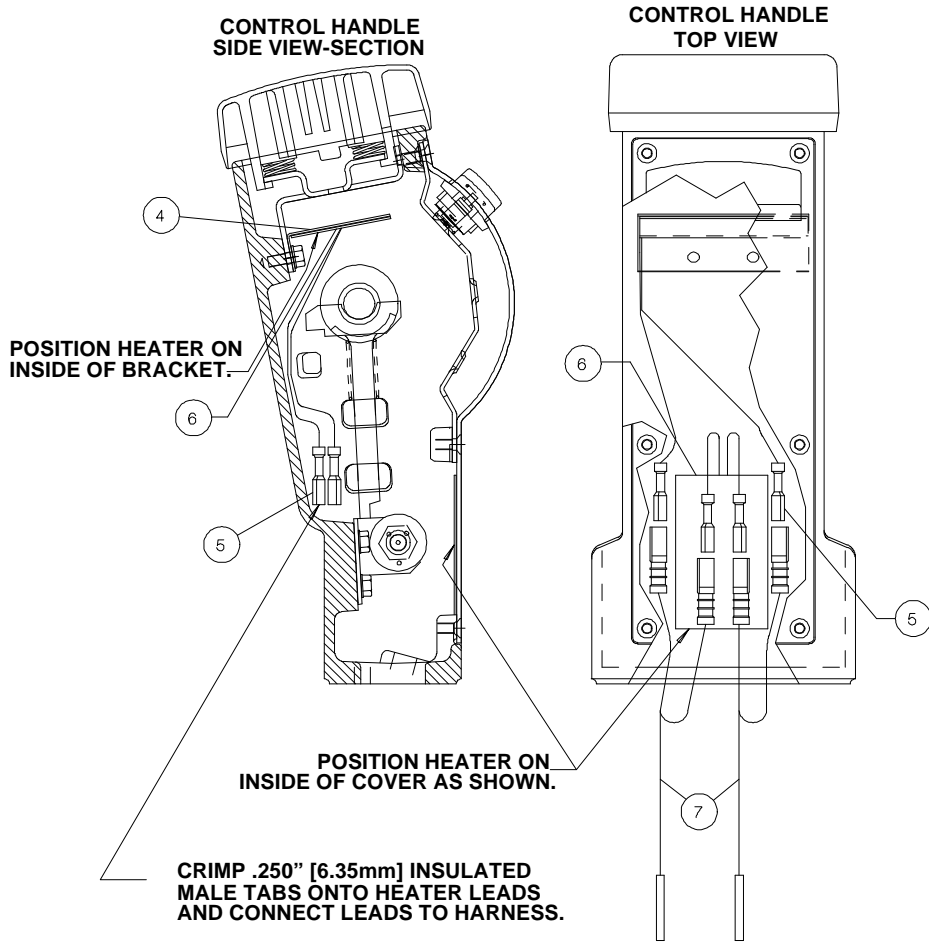


**FIGURE 2.3 ELECTRICAL ASSEMBLY**

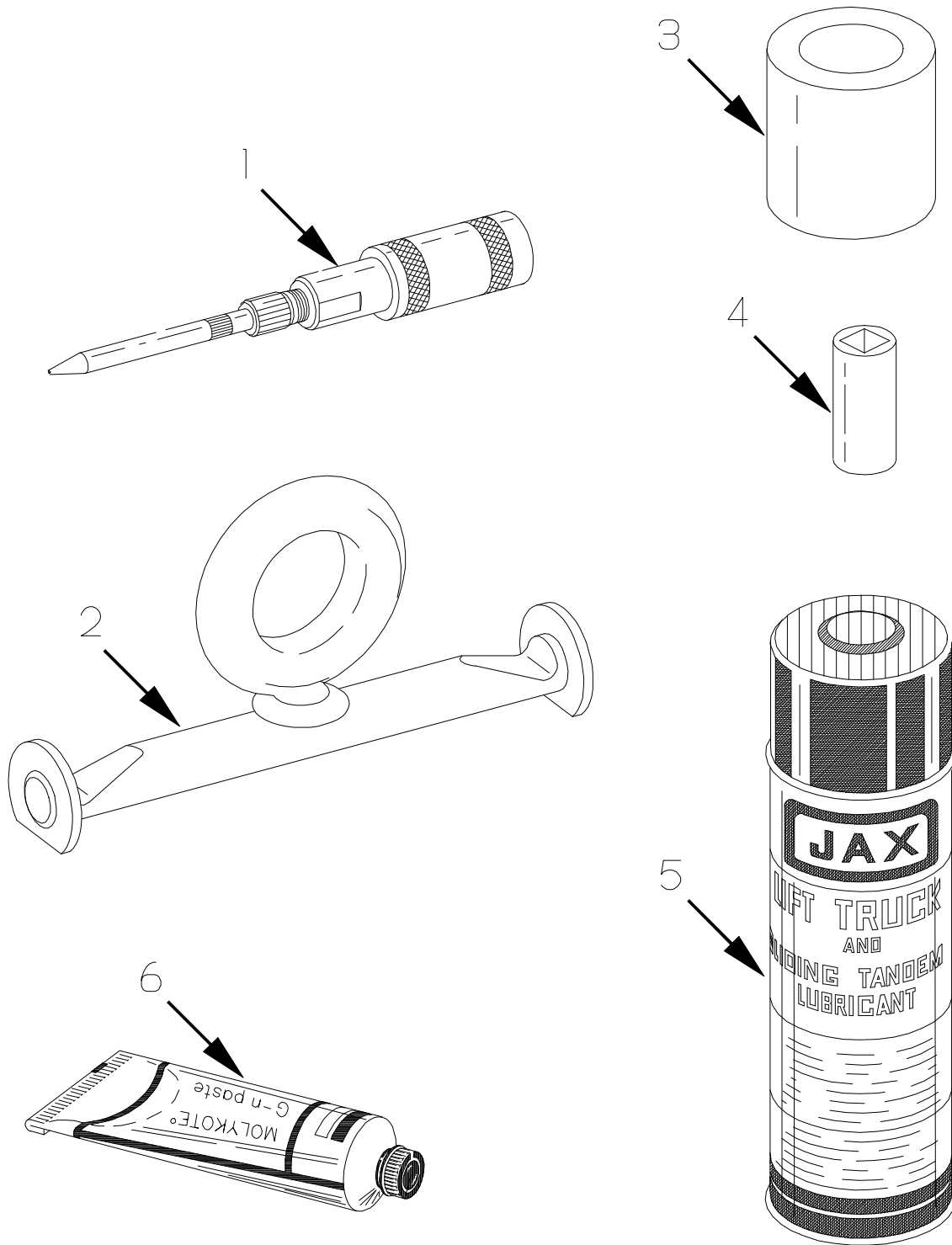


***NOTE: USE HEAT CONDUCTING MATERIAL DOW #340 BETWEEN CONTROLLER AND PANEL PLATE.***

**FIGURE 2.8 COLD STORAGE ASSEMBLY**



**FIGURE 10.0 SPECIAL TOOLS AND LUBRICATIONS**



# PARTS ORDERING INSTRUCTIONS

## HOW TO ORDER

When you order, supply the part number, quantity, model and serial numbers of your machine. Supplying this information will assure prompt, efficient handling of your order. The pictorial reference number is not needed and including it can only add confusion.

Since your dealer carries many parts in stock and maintains up-to-date prices on all parts, he will be able to process your order immediately. If, for some reason, the part is not in stock, he will order it from the factory. In either event, he maintains a current file of service manuals, which give all available parts ordering or technical information.

All prices are FOB factory in Muscatine, Iowa. Shipping charges are added to the price of the part shipping from the factory.

## WHERE TO ORDER

Always order parts from the dealer who sold you your **BT PRIME-MOVER**. If it is necessary for the dealer to order parts from the factory, he is able to get prompt service for you. Parts are shipped in accordance with shipping instructions given on the order.

## INSTRUCTIONS FOR RETURNING PARTS

Under **NO CIRCUMSTANCES** will parts be accepted at the factory for credit without prior approval. **THE BT PRIME-MOVER Co.** cannot accept responsibility for parts returned without authorization.

If you have some parts which must be returned, contact your dealer. If he believes parts should be returned, he will arrange for authorization to return the parts.

## FIELD MODIFICATIONS

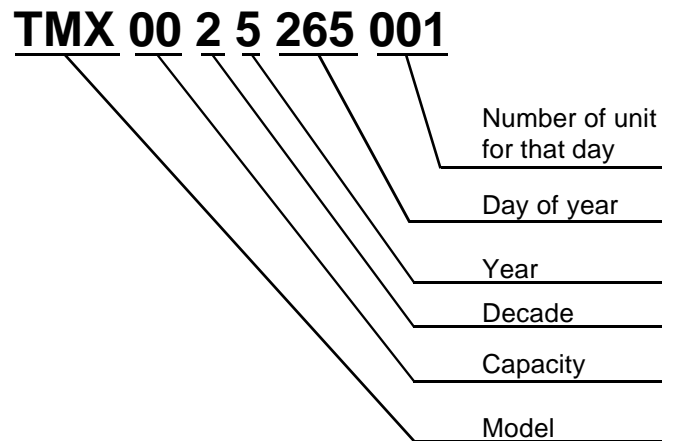
The regulations imposed by OSHA make it mandatory that alteration of industrial trucks be done only as approved in advance and in writing by the manufacturer. Their regulations apply to counter-weighting, changes in masts when such changes affect capacity and any other safety modifications. It is mandatory that nameplate and instructions be changed accordingly (1910.178 (a)(4)).

**BT PRIME-MOVER** will approve such changes requested as we can properly evaluate and rerate as to capacity. Normally a change will be evaluated upon receipt of a written request with full particulars, including truck and mast serial number, proposed changes, new heights of lift, etc.

If the change is approved, authorization will be sent, as will new nameplates or other labeling where appropriate. The new nameplates should be installed over the earlier nameplate.

The modifier should send confirmation of the change to the factory along with pictures of the revised truck.

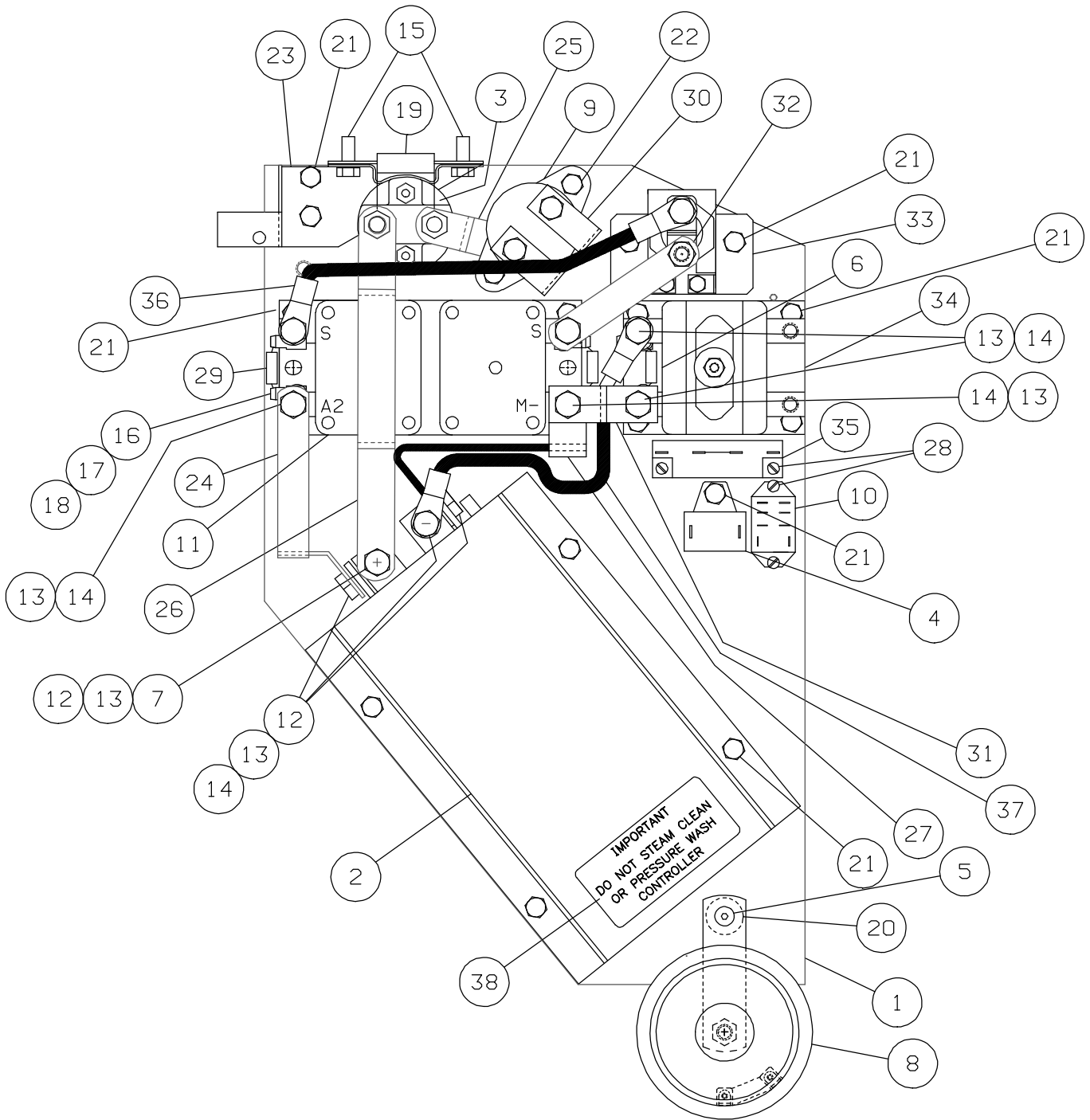
## EXPLANATION OF SERIAL NUMBER



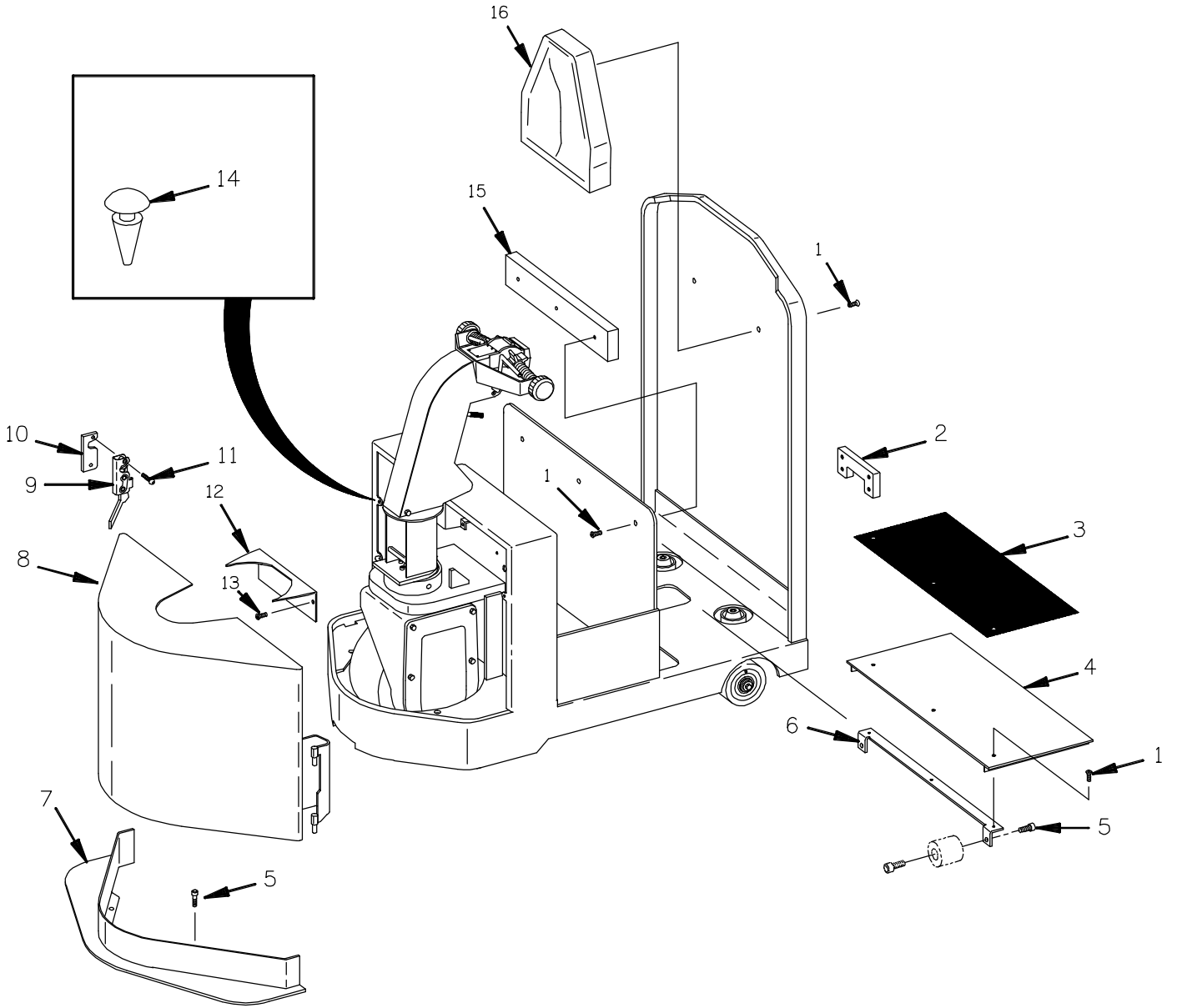


# FIGURE 2.4 ELECTRICAL PANEL ASSEMBLY

***NOTE: USE HEAT CONDUCTING MATERIAL  
DOW #340 BETWEEN CONTROLLER  
AND PANEL PLATE.***



**FIGURE 4.1 SHIELDS AND GUARDS**





# PARTS ORDERING INSTRUCTIONS

## HOW TO ORDER

When you order, supply the part number, quantity, model and serial numbers of your machine. Supplying this information will assure prompt, efficient handling of your order. The pictorial reference number is not needed and including it can only add confusion.

Since your dealer carries many parts in stock and maintains up-to-date prices on all parts, he will be able to process your order immediately. If, for some reason, the part is not in stock, he will order it from the factory. In either event, he maintains a current file of service manuals, which give all available parts ordering or technical information.

All prices are FOB factory in Muscatine, Iowa. Shipping charges are added to the price of the part shipping from the factory.

## WHERE TO ORDER

Always order parts from the dealer who sold you your **BT Prime-Mover**. If it is necessary for the dealer to order parts from the factory, he is able to get prompt service for you. Parts are shipped in accordance with shipping instructions given on the order.

## INSTRUCTIONS FOR RETURNING PARTS

Under **NO CIRCUMSTANCES** will parts be accepted at the factory for credit without prior approval. **BT Prime-Mover, Inc.** cannot accept responsibility for parts returned without authorization.

If you have some parts which must be returned, contact your dealer. If he believes parts should be returned, he will arrange for authorization to return the parts.

## FIELD MODIFICATIONS

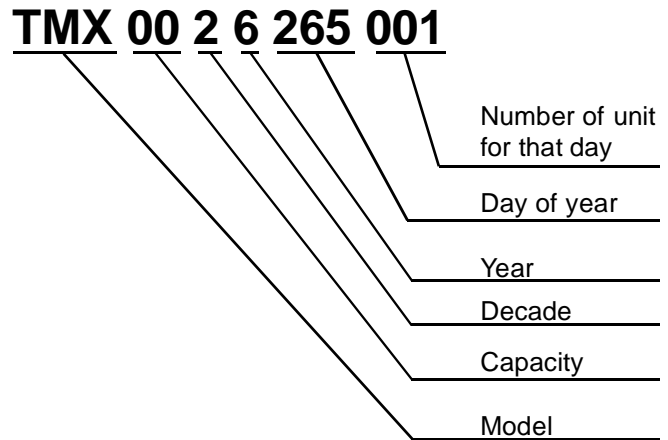
The regulations imposed by OSHA make it mandatory that alteration of industrial trucks be done only as approved in advance and in writing by the manufacturer. Their regulations apply to counter-weighting, changes in masts when such changes affect capacity and any other safety modifications. It is mandatory that nameplate and instructions be changed accordingly (1910.178 (a)(4)).

**BT Prime-Mover** will approve such changes requested as we can properly evaluate and rerate as to capacity. Normally a change will be evaluated upon receipt of a written request with full particulars, including truck and mast serial number, proposed changes, new heights of lift, etc.

If the change is approved, authorization will be sent, as will new nameplates or other labeling where appropriate. The new nameplates should be installed over the earlier nameplate.

The modifier should send confirmation of the change to the factory along with pictures of the revised truck.

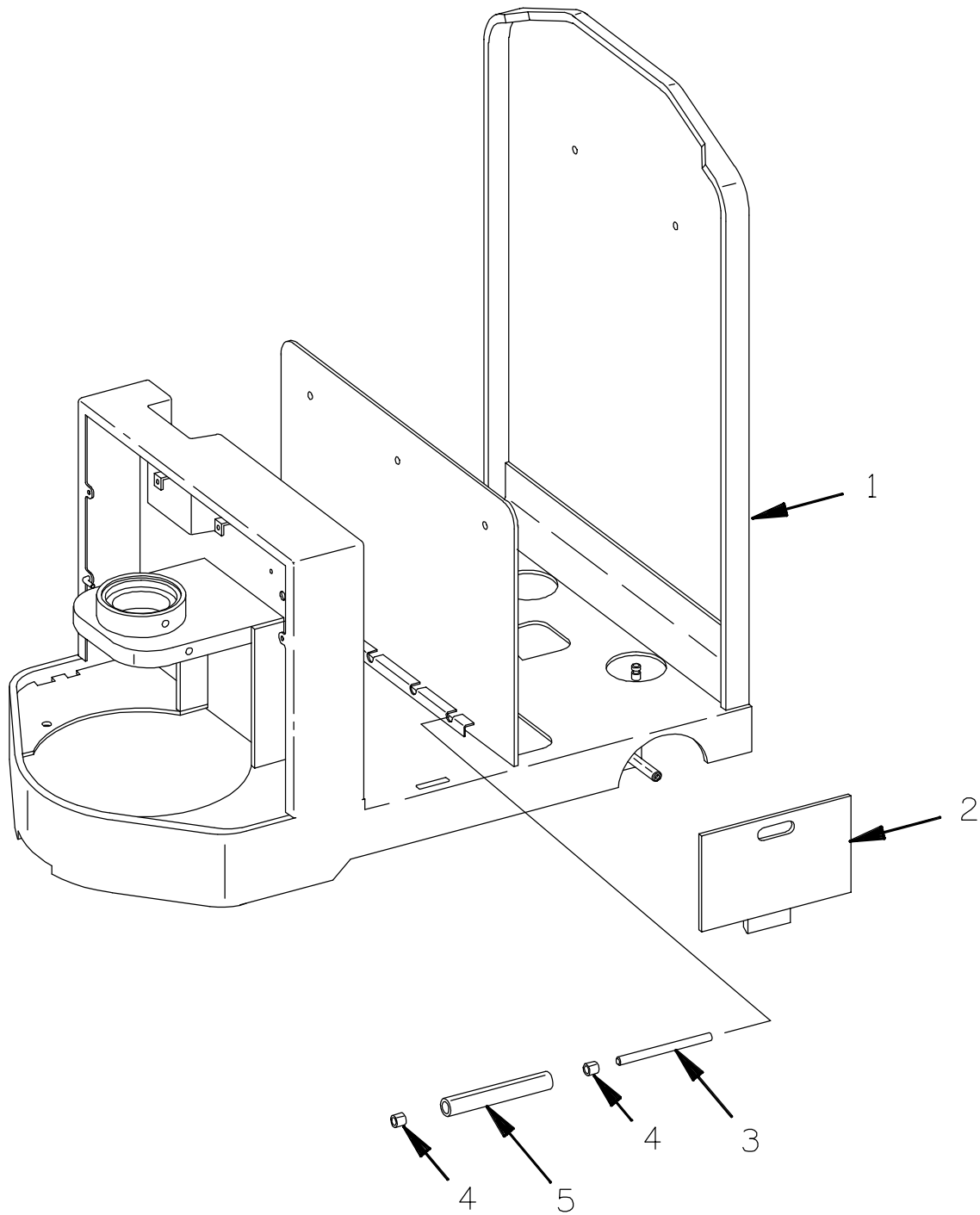
## EXPLANATION OF SERIAL NUMBER



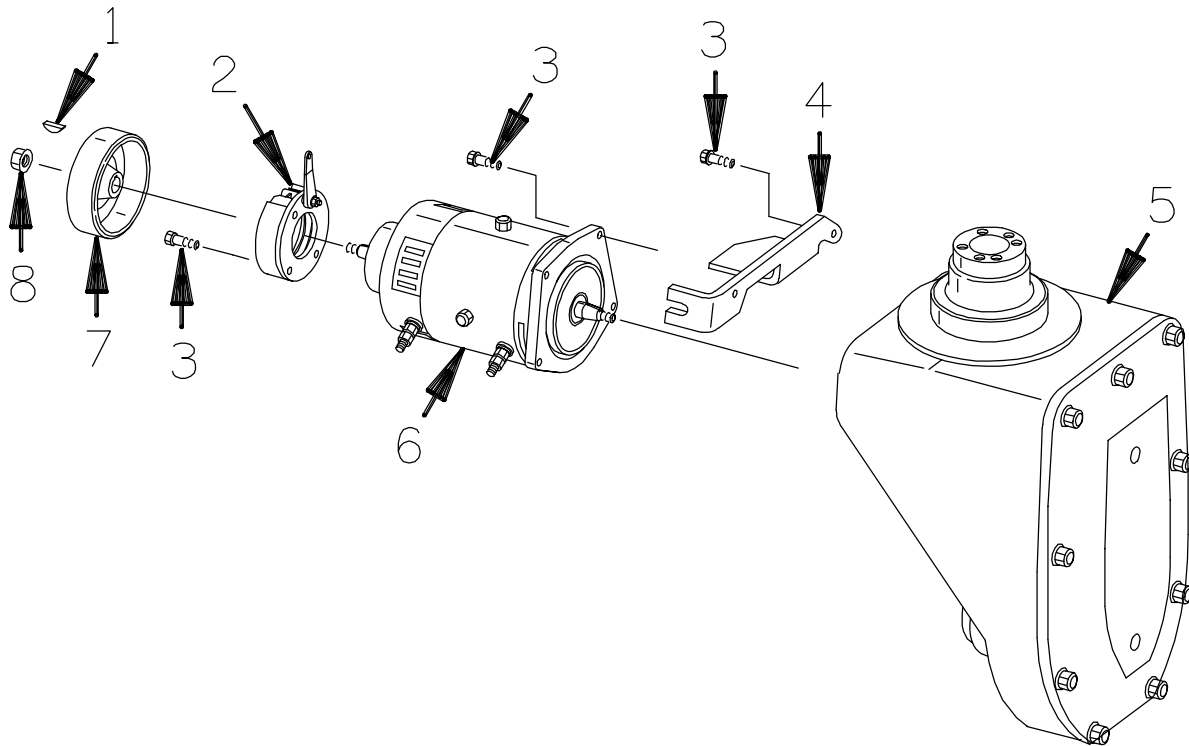
0390-005

Quality Parts

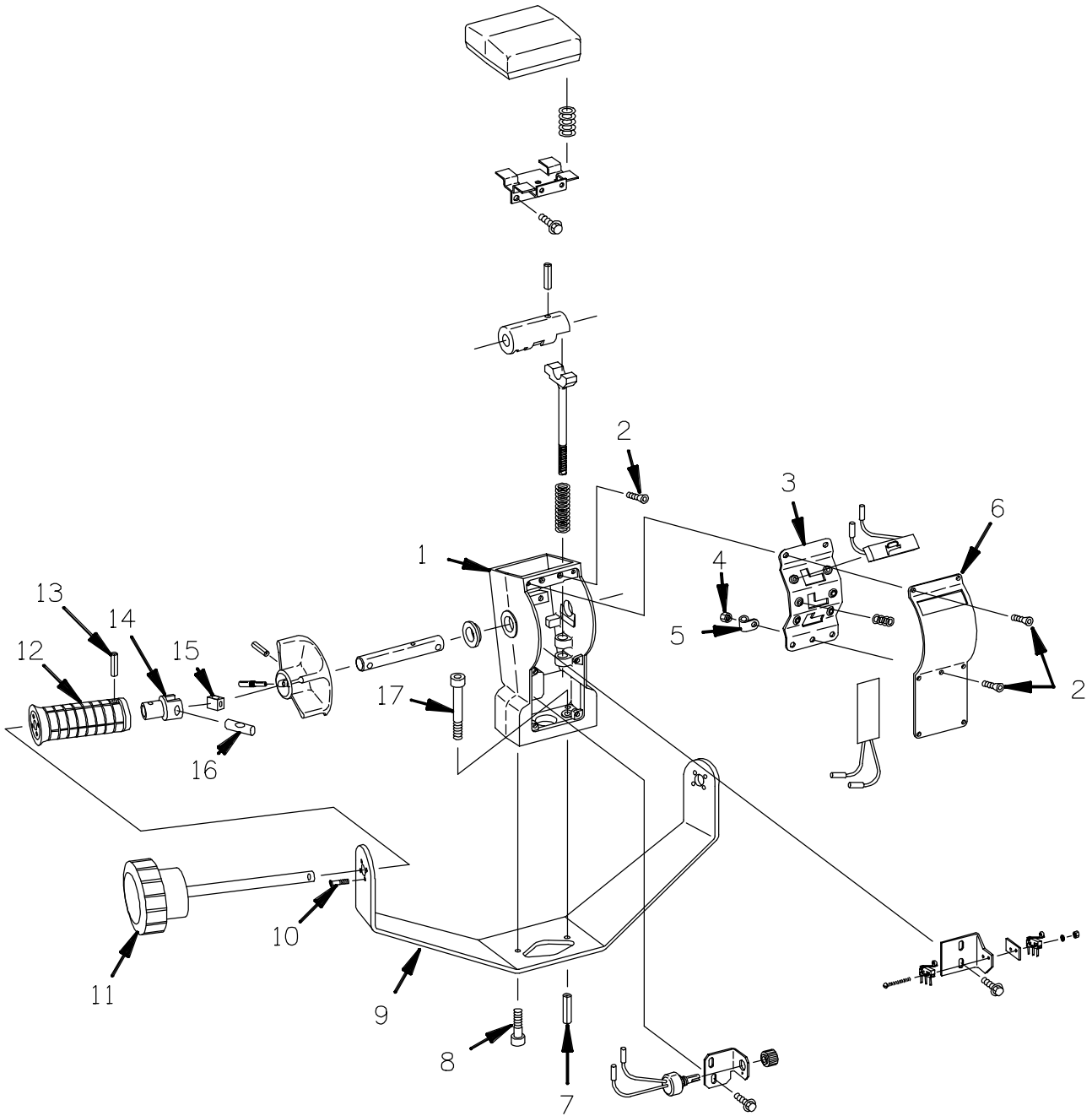
0390-005



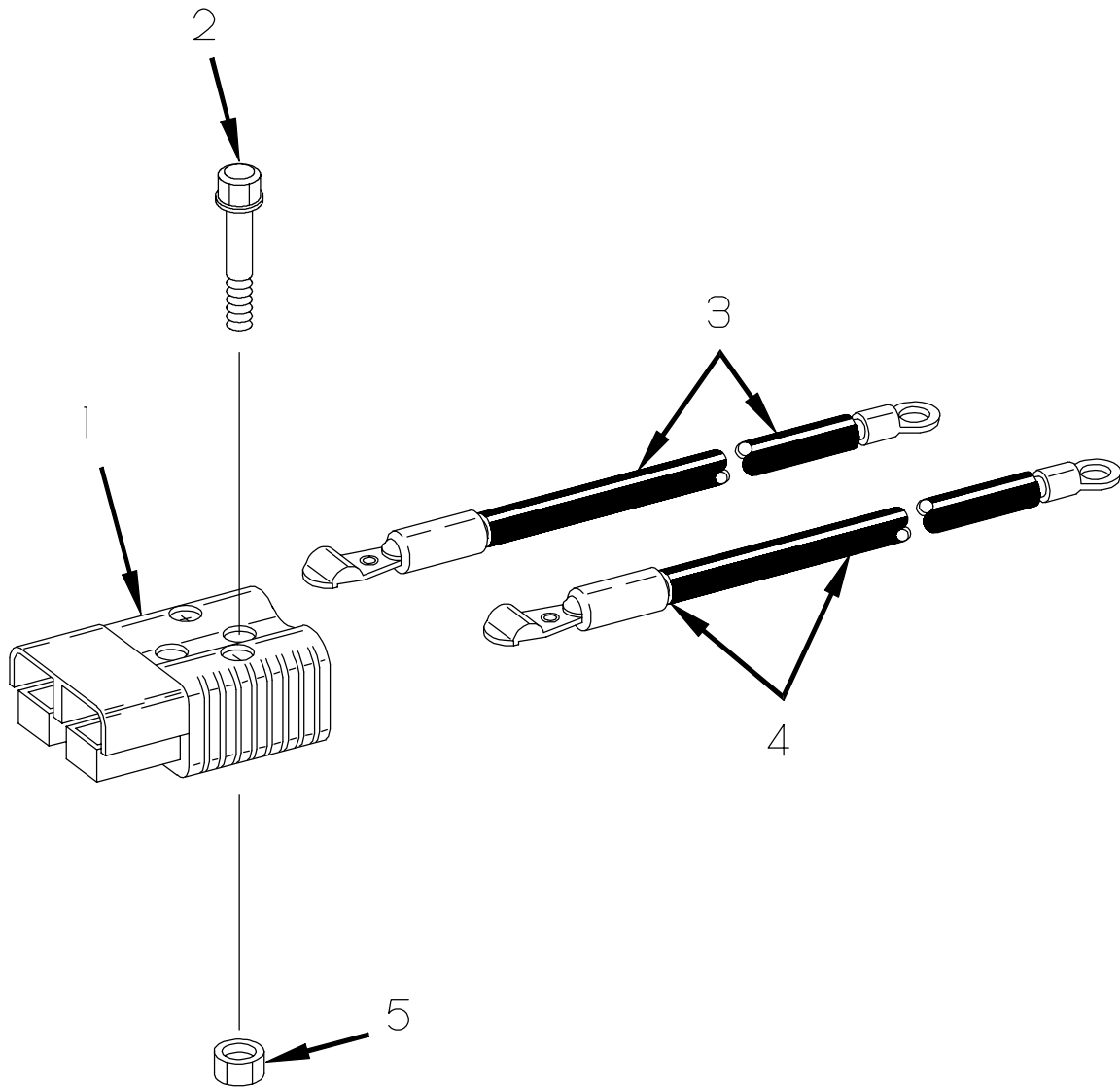
3300-003



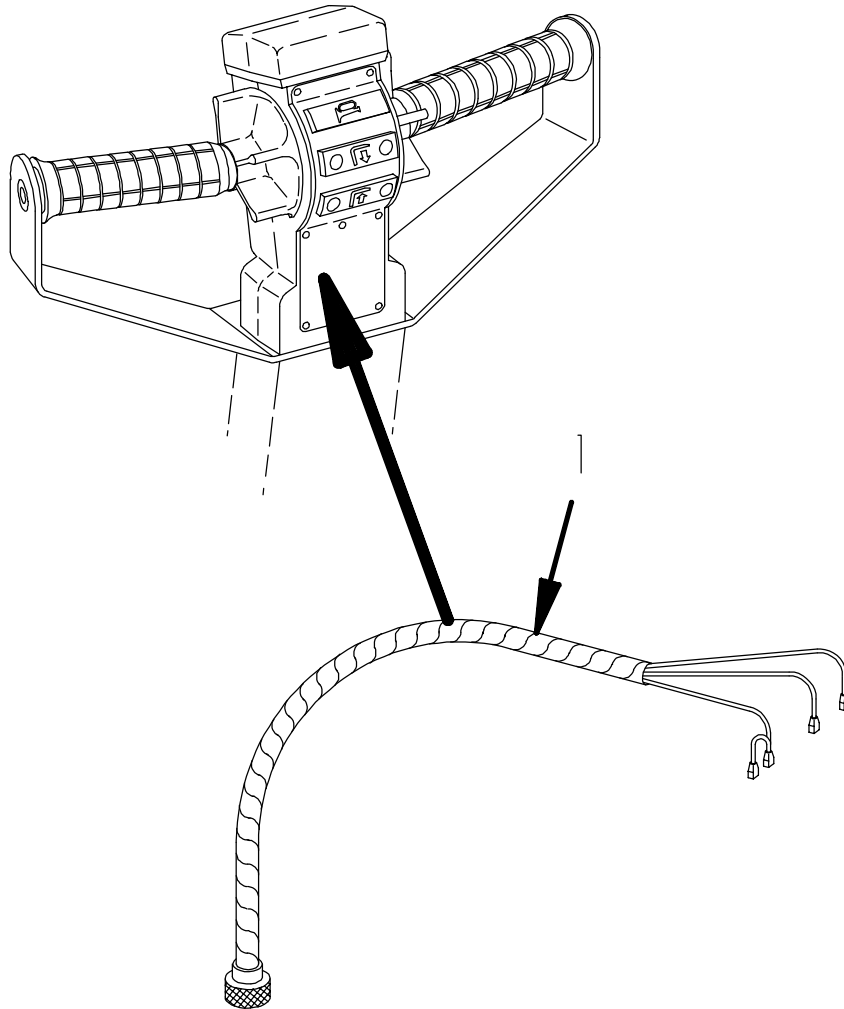
4110-024



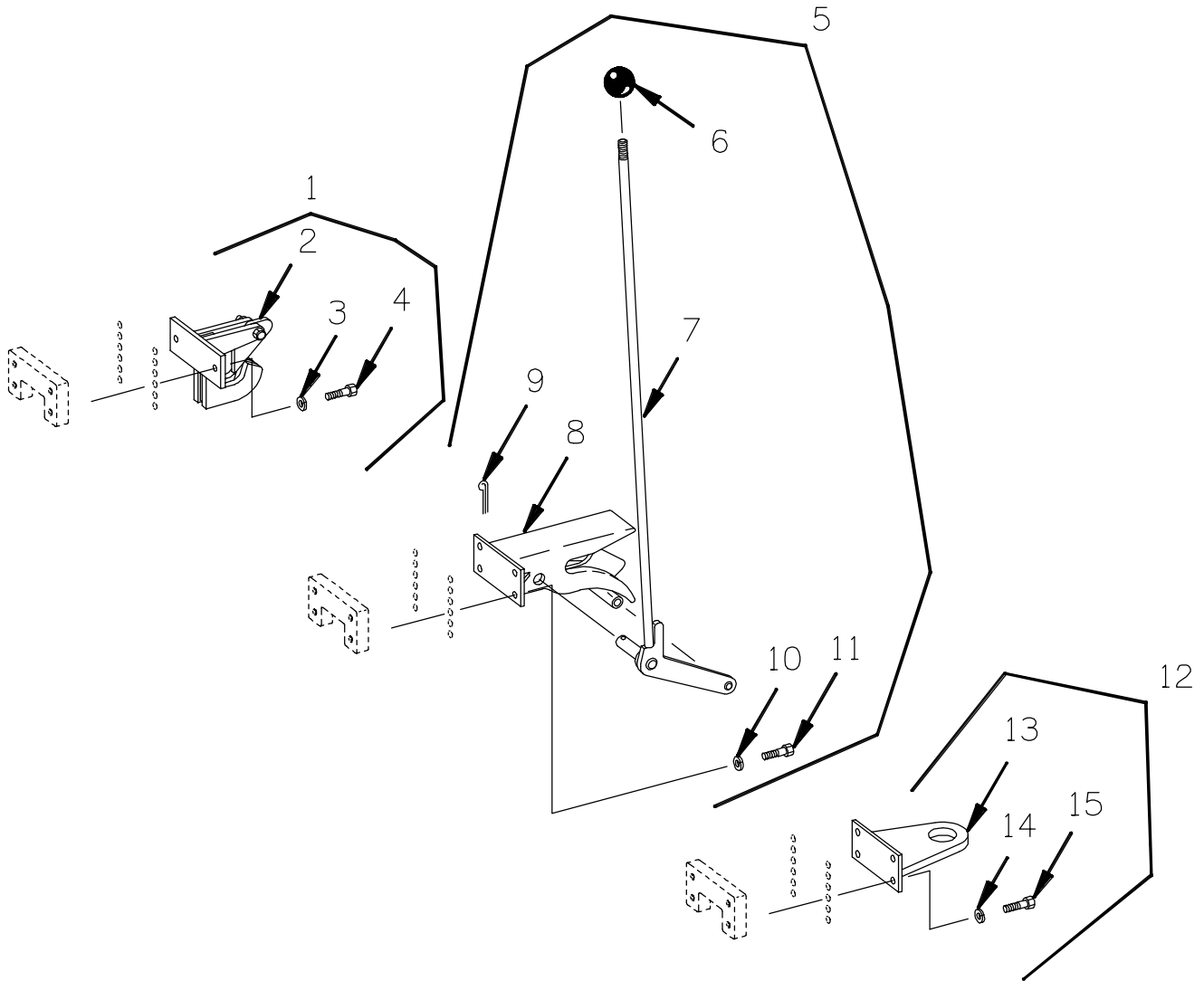
5190-016



5390-003



9510-000



# PARTS ORDERING INSTRUCTIONS

## HOW TO ORDER

When you order, supply the part number, quantity, model and serial numbers of your machine. Supplying this information will assure prompt, efficient handling of your order. The pictorial reference number is not needed and including it can only add confusion.

Since your dealer carries many parts in stock and maintains up-to-date prices on all parts, he will be able to process your order immediately. If, for some reason, the part is not in stock, he will order it from the factory. In either event, he maintains a current file of service manuals, which give all available parts ordering or technical information.

All prices are FOB factory in Muscatine, Iowa. Shipping charges are added to the price of the part shipping from the factory.

## WHERE TO ORDER

Always order parts from the dealer who sold you your **BT**. If it is necessary for the dealer to order parts from the factory, he is able to get prompt service for you. Parts are shipped in accordance with shipping instructions given on the order.

## INSTRUCTIONS FOR RETURNING PARTS

Under **NO CIRCUMSTANCES** will parts be accepted at the factory for credit without prior approval. **BT** cannot accept responsibility for parts returned without authorization.

If you have some parts which must be returned, contact your dealer. If he believes parts should be returned, he will arrange for authorization to return the parts.

## FIELD MODIFICATIONS

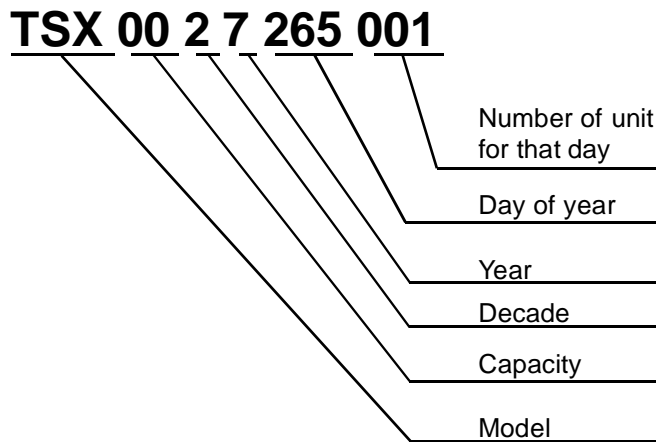
The regulations imposed by OSHA make it mandatory that alteration of industrial trucks be done only as approved in advance and in writing by the manufacturer. Their regulations apply to counter-weighting, changes in masts when such changes affect capacity and any other safety modifications. It is mandatory that nameplate and instructions be changed accordingly (1910.178 (a)(4)).

**BT** will approve such changes requested as we can properly evaluate and rerate as to capacity. Normally a change will be evaluated upon receipt of a written request with full particulars, including truck and mast serial number, proposed changes, new heights of lift, etc.

If the change is approved, authorization will be sent, as will new nameplates or other labeling where appropriate. The new nameplates should be installed over the earlier nameplate.

The modifier should send confirmation of the change to the factory along with pictures of the revised truck.

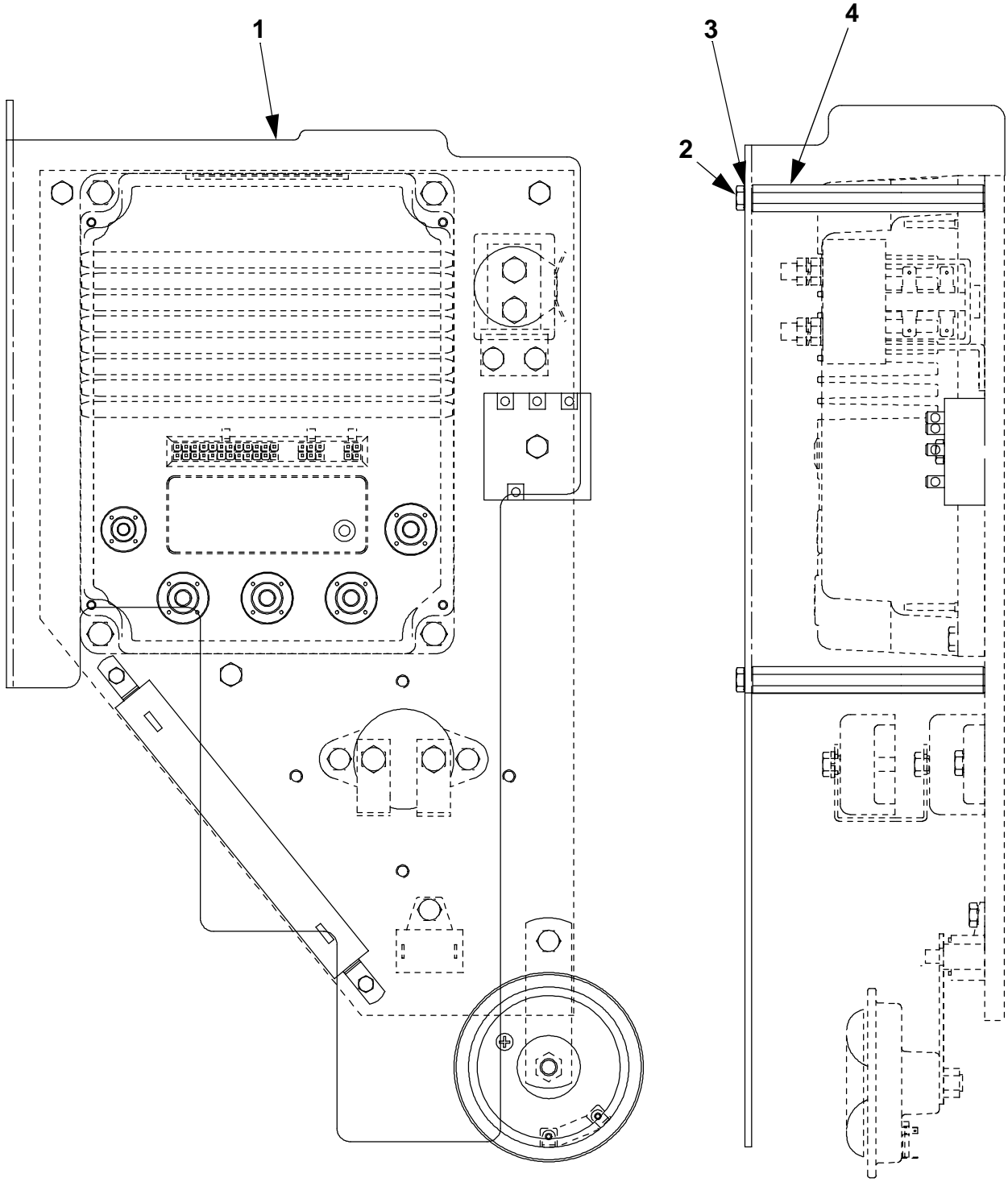
## EXPLANATION OF SERIAL NUMBER



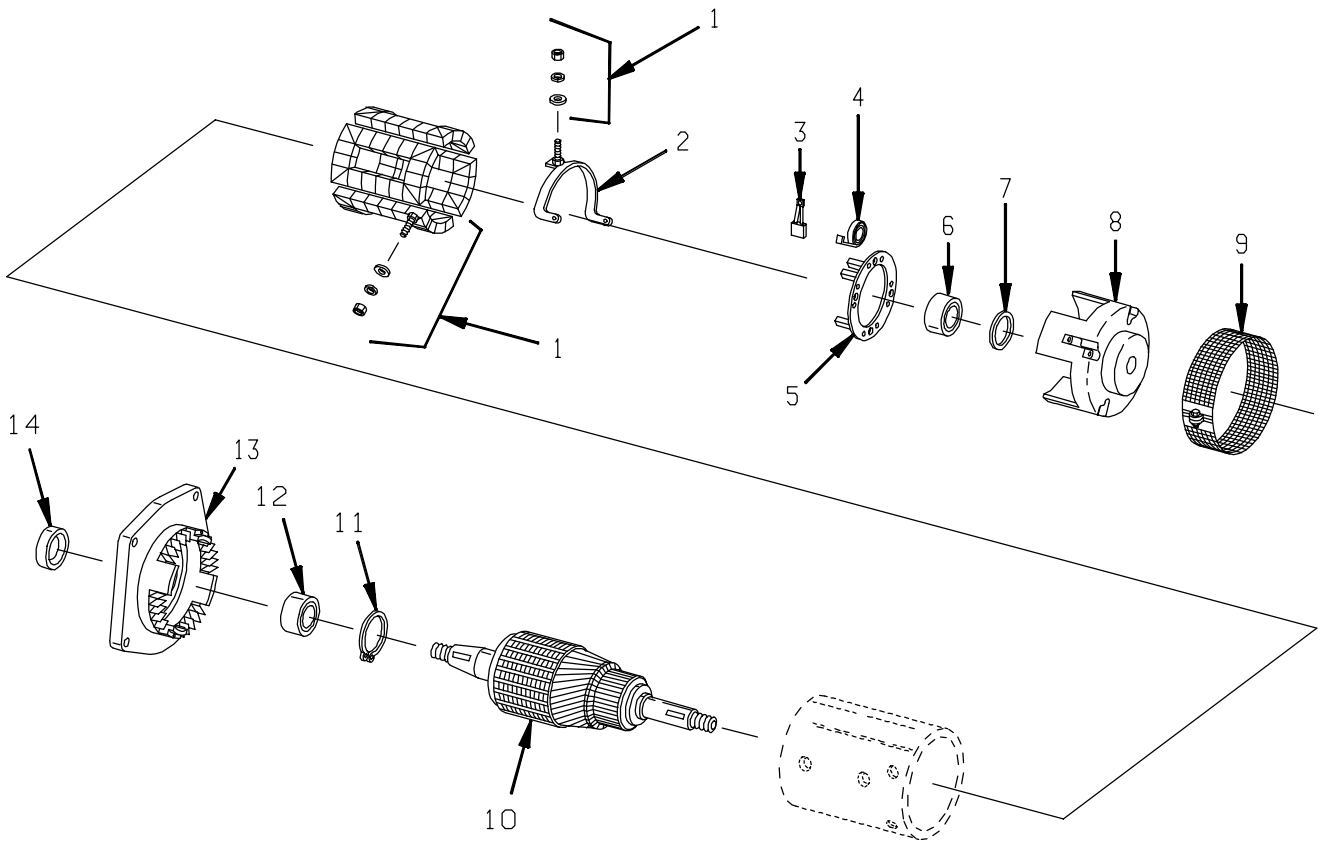
0340-021

Quality Parts

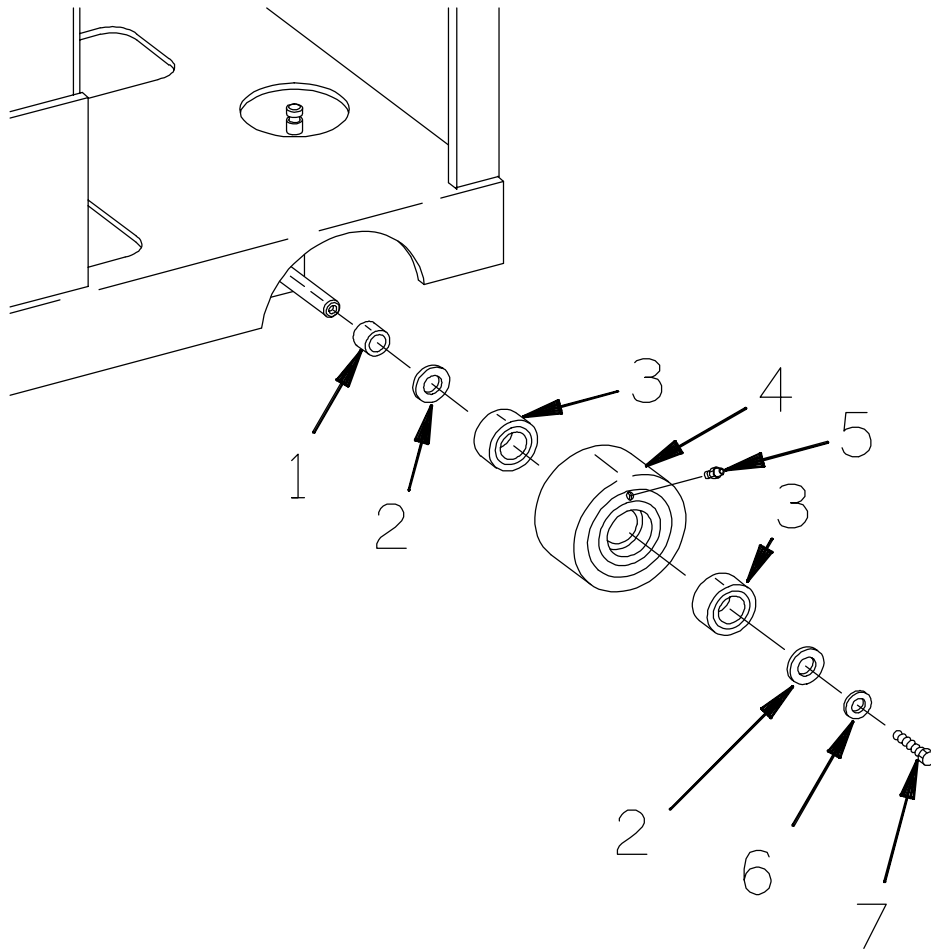
0340-021



1700-004



3550-008



CLICK HERE TO **DOWNLOAD** THE COMPLETE MANUAL

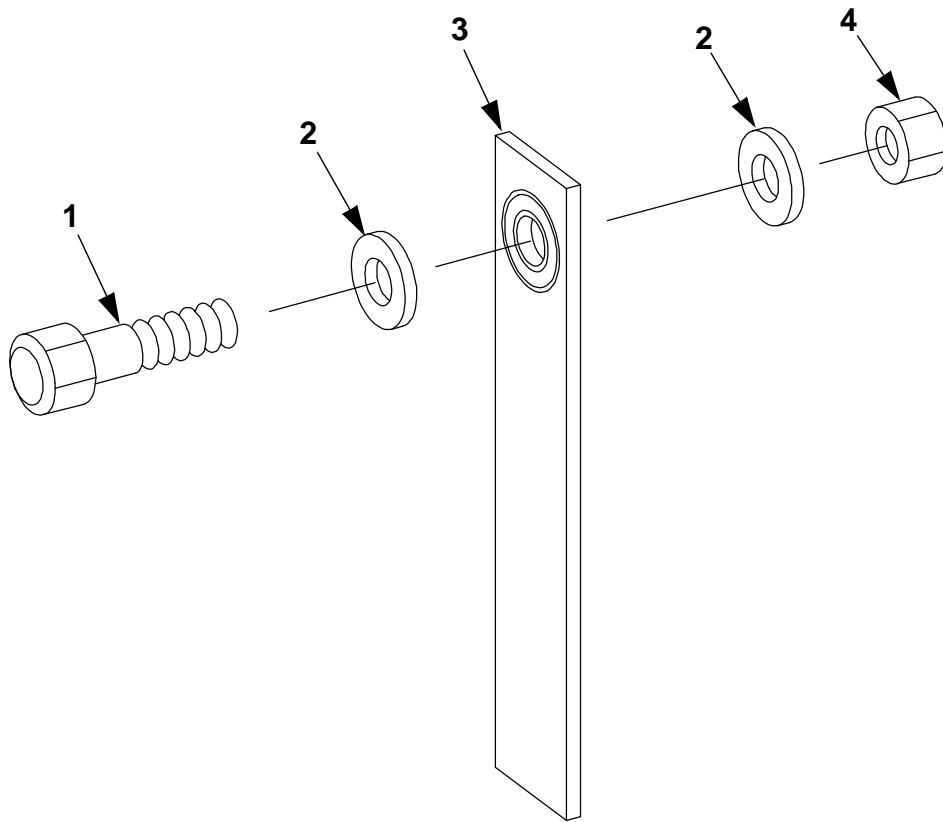
- Thank you very much for reading the preview of the manual.
- You can download the complete manual from: [www.heydownloads.com](http://www.heydownloads.com) by clicking the link below



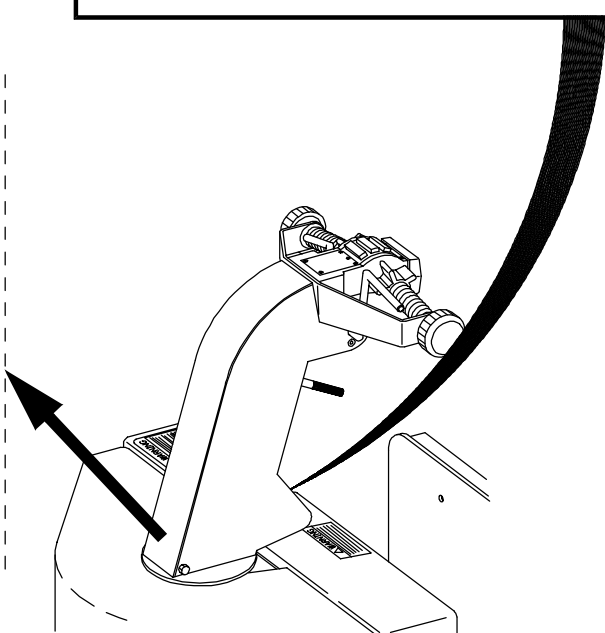
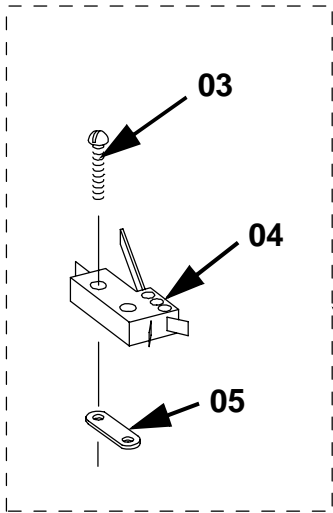
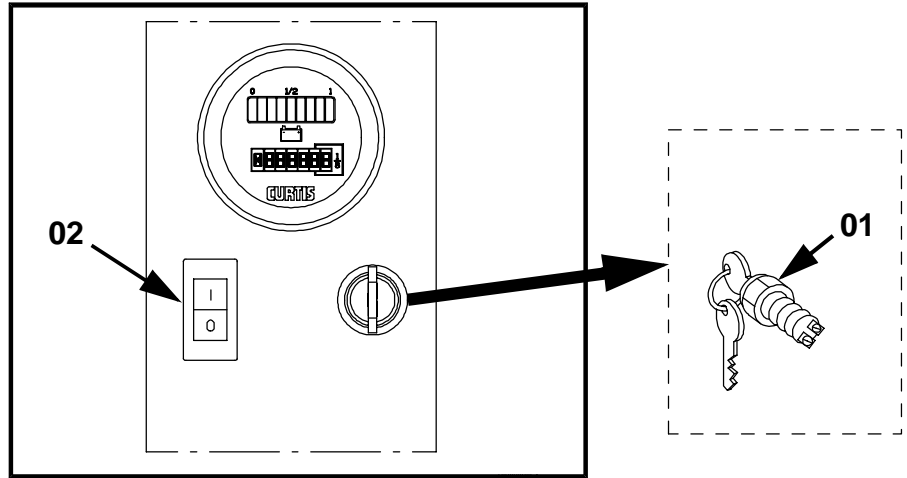
- Please note: If there is no response to CLICKING the link, please download this PDF first and then click on it.

CLICK HERE TO **DOWNLOAD** THE COMPLETE MANUAL

5180-004

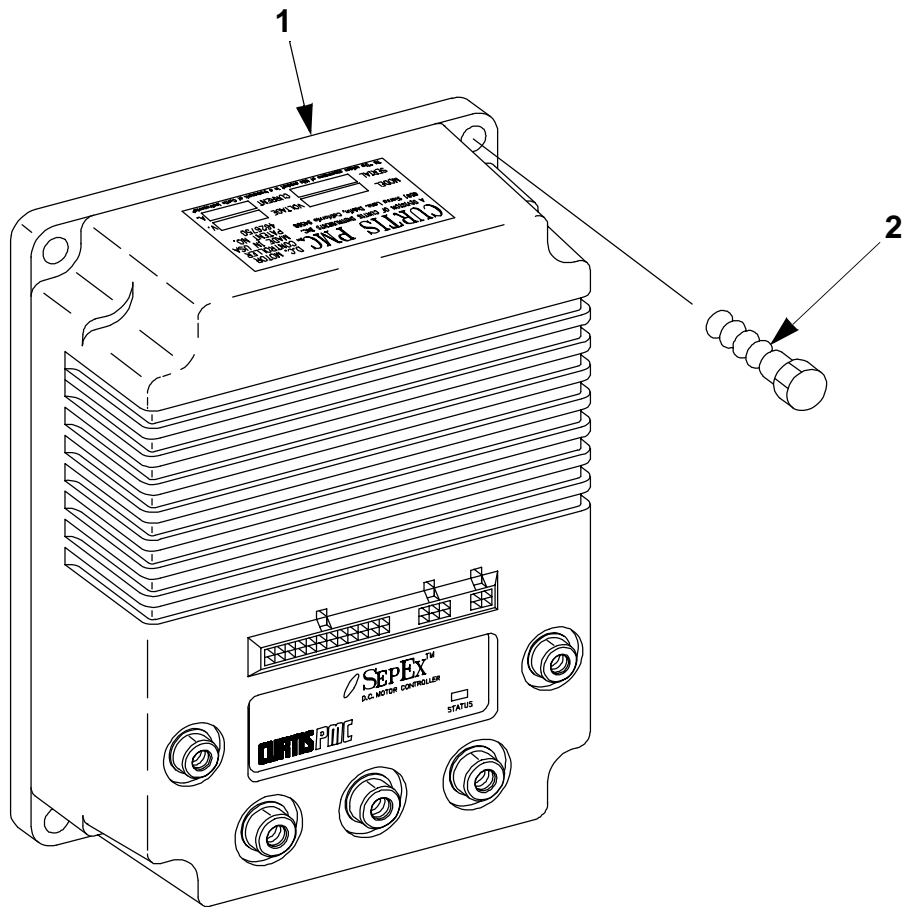


5310-019

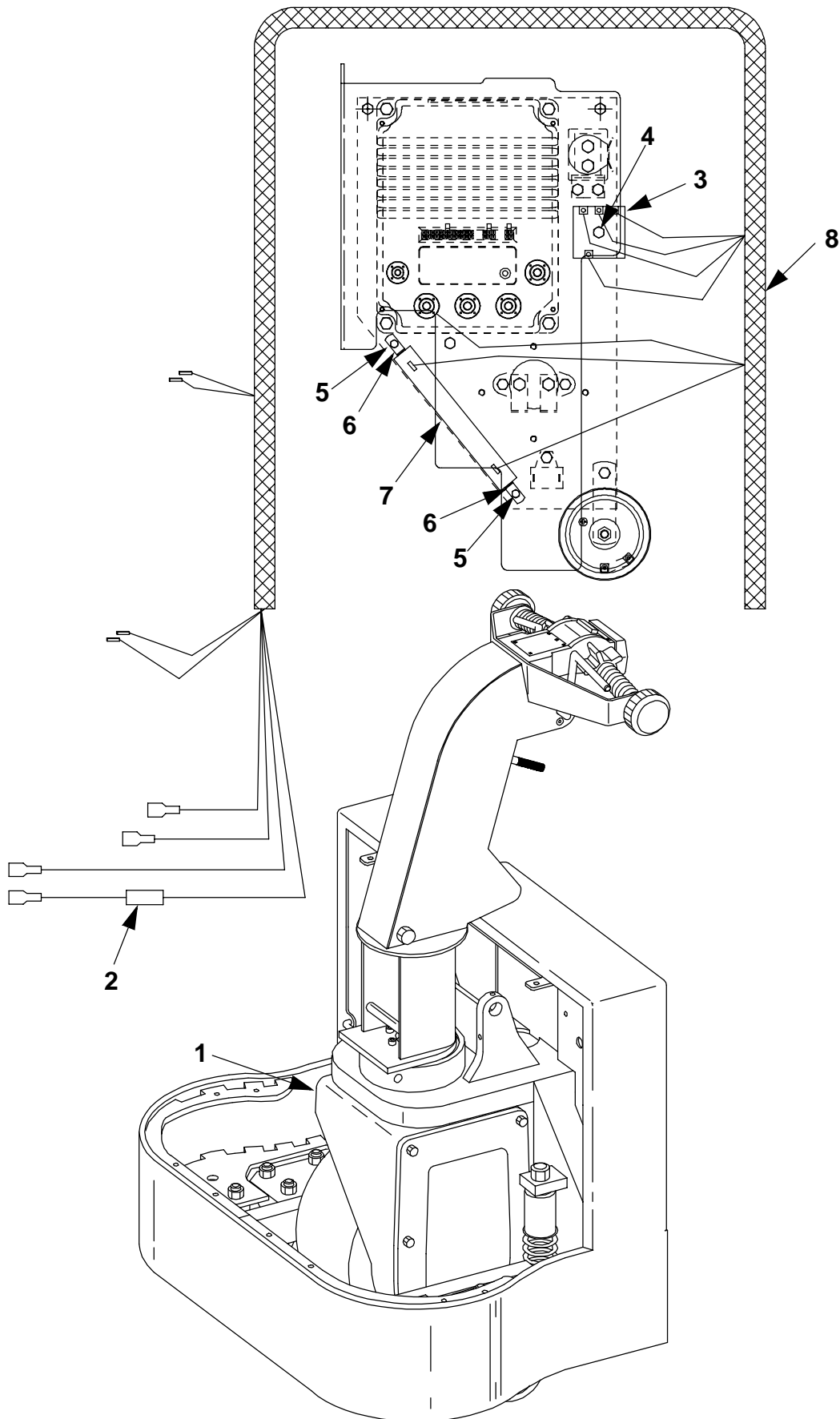


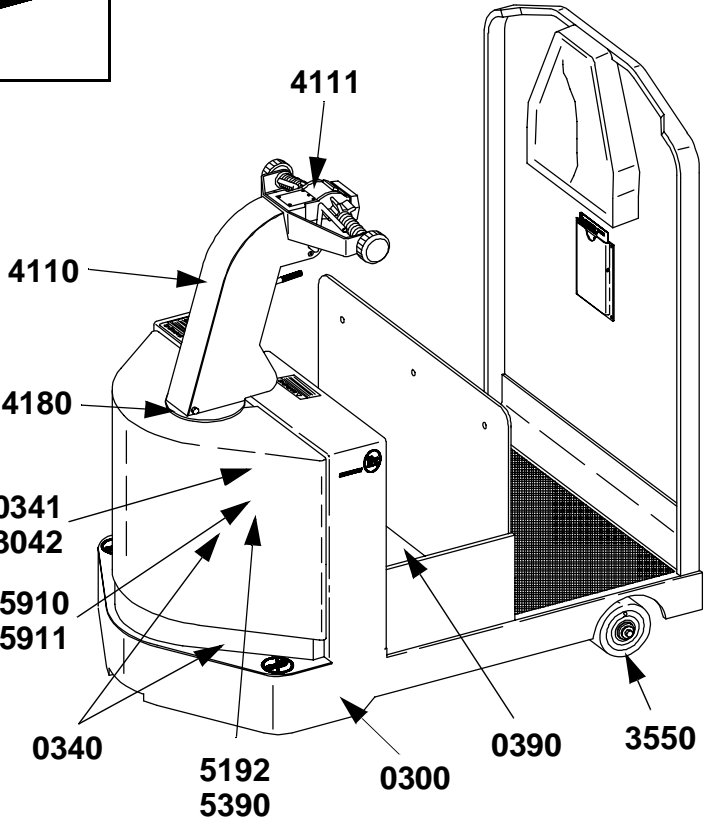
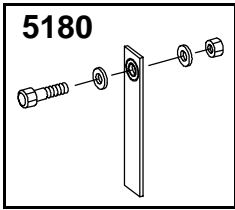
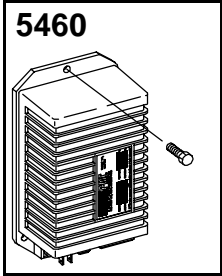
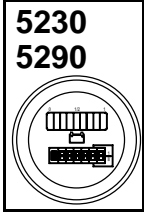
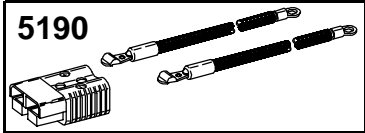
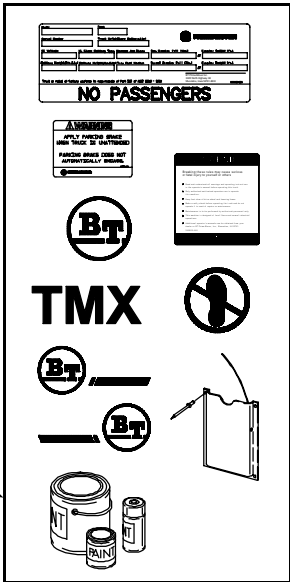
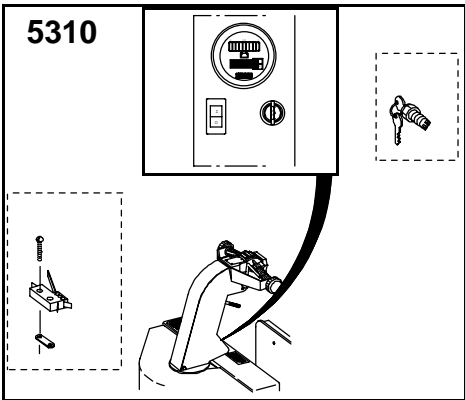
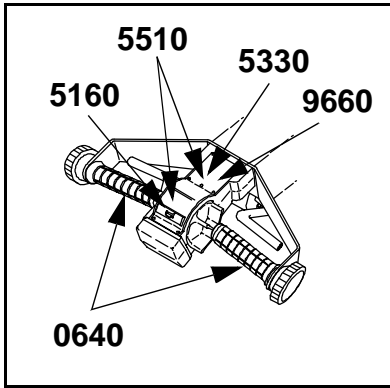
**5460-019**

Effective serial number  
27179000 to 27300000

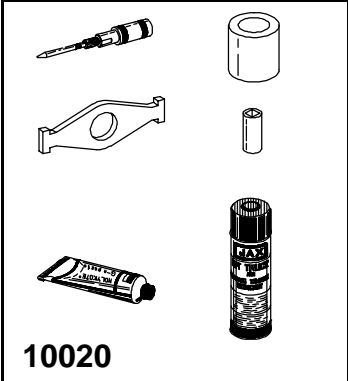
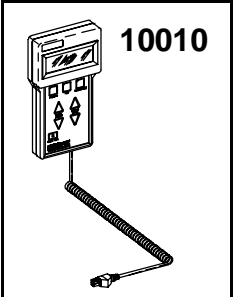
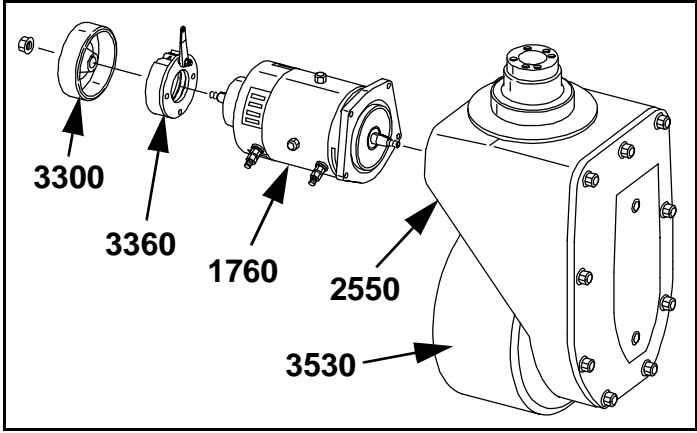
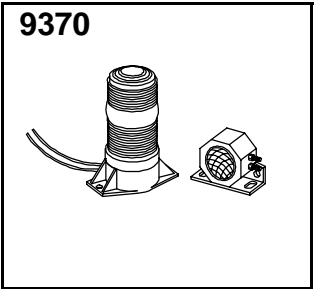
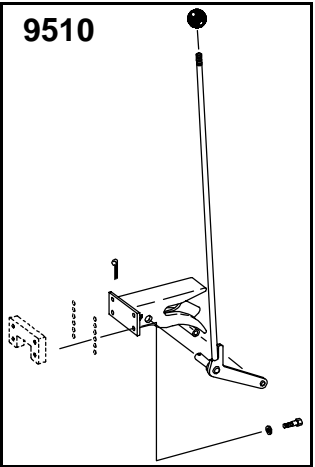


9660-012





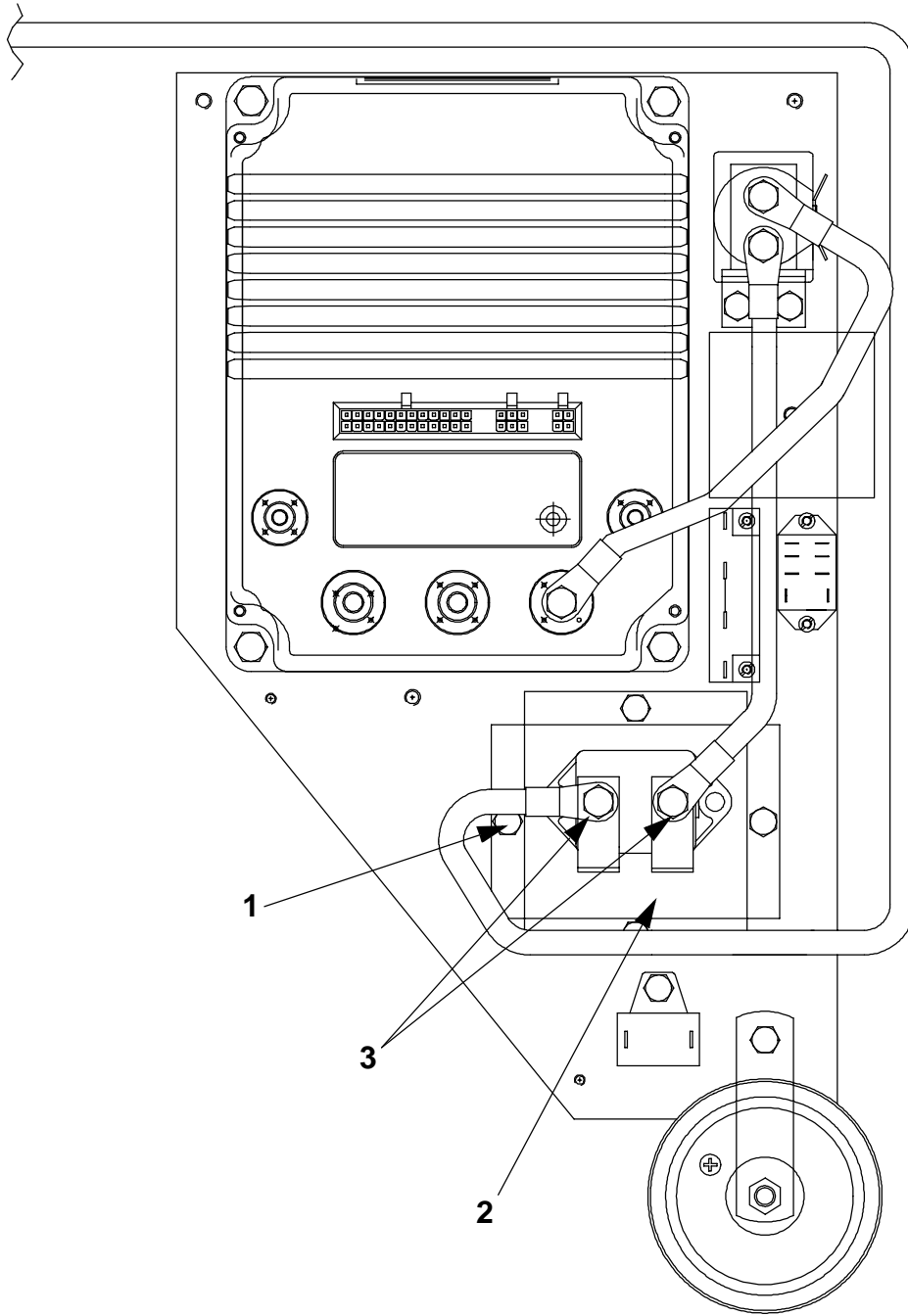
0850



0341-000

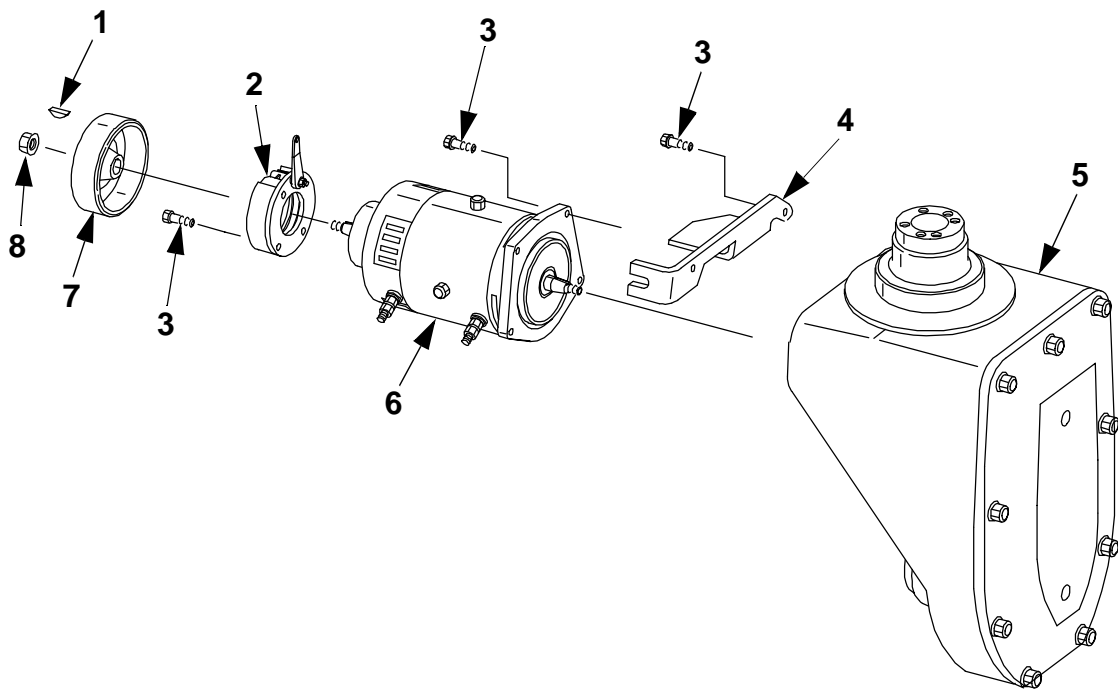
Quality Parts

0341-000

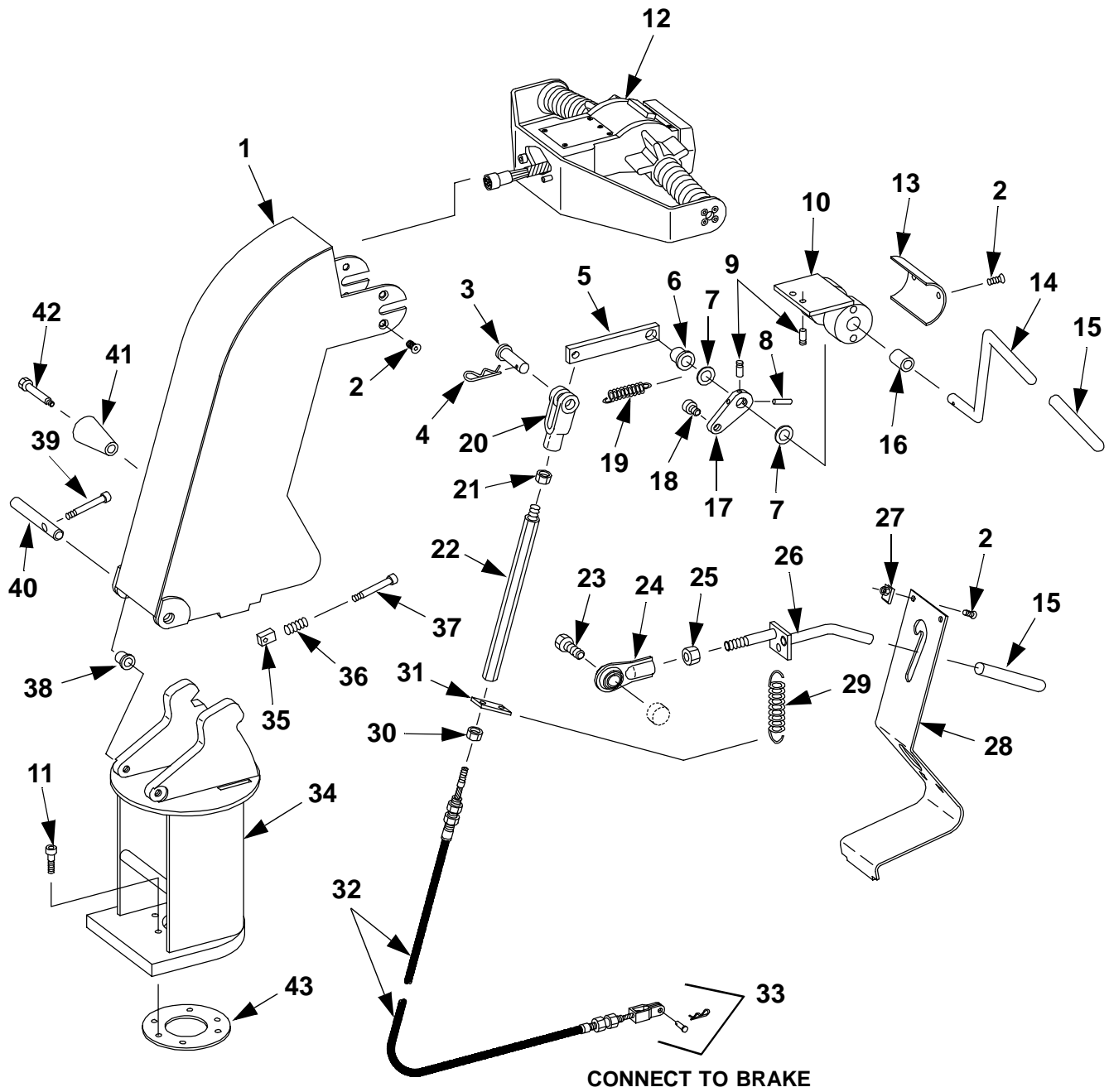




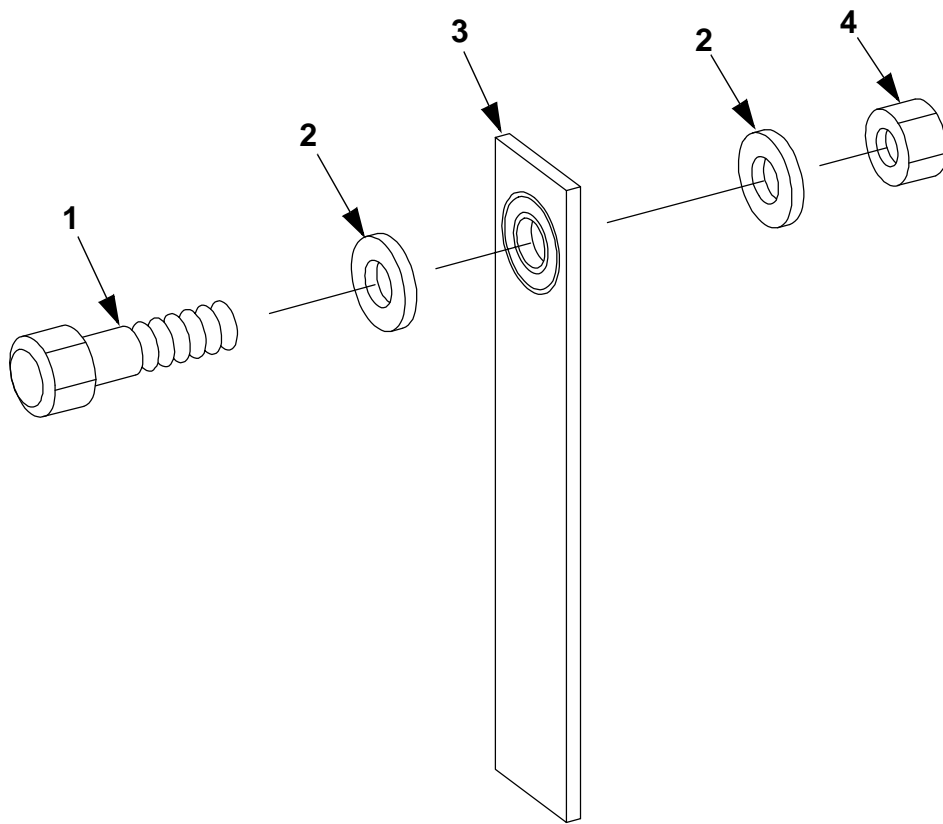
3300-000



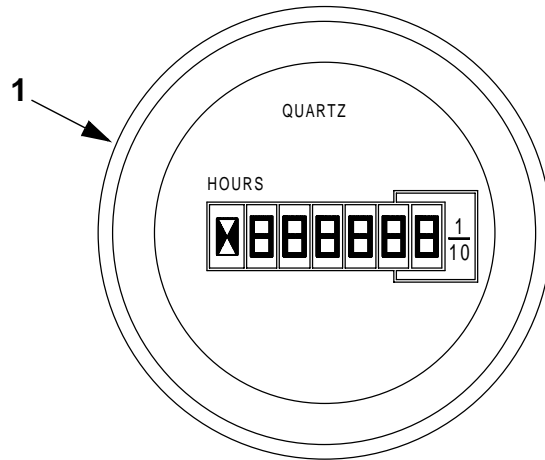
4110-000



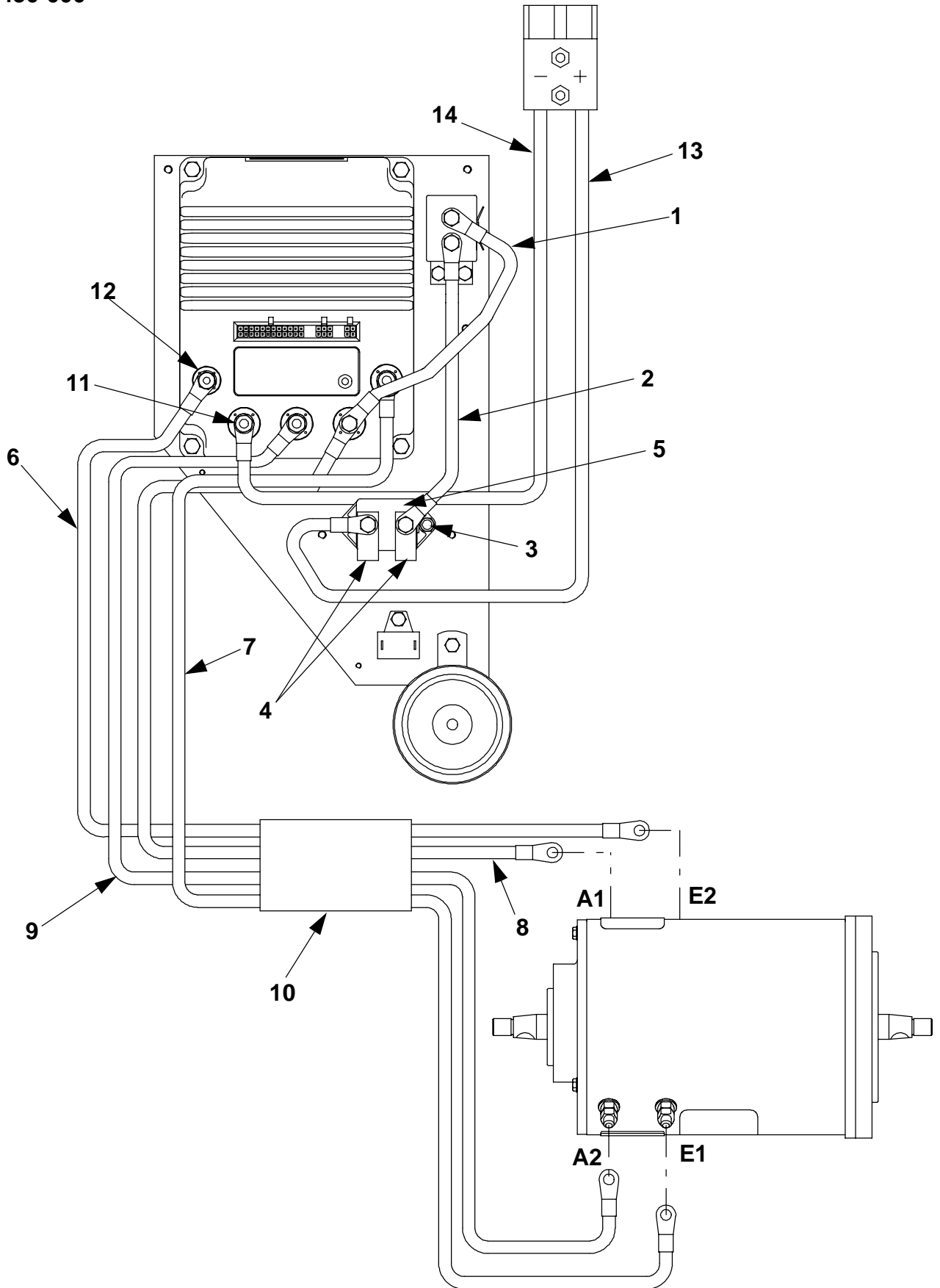
5180-000



5290-000

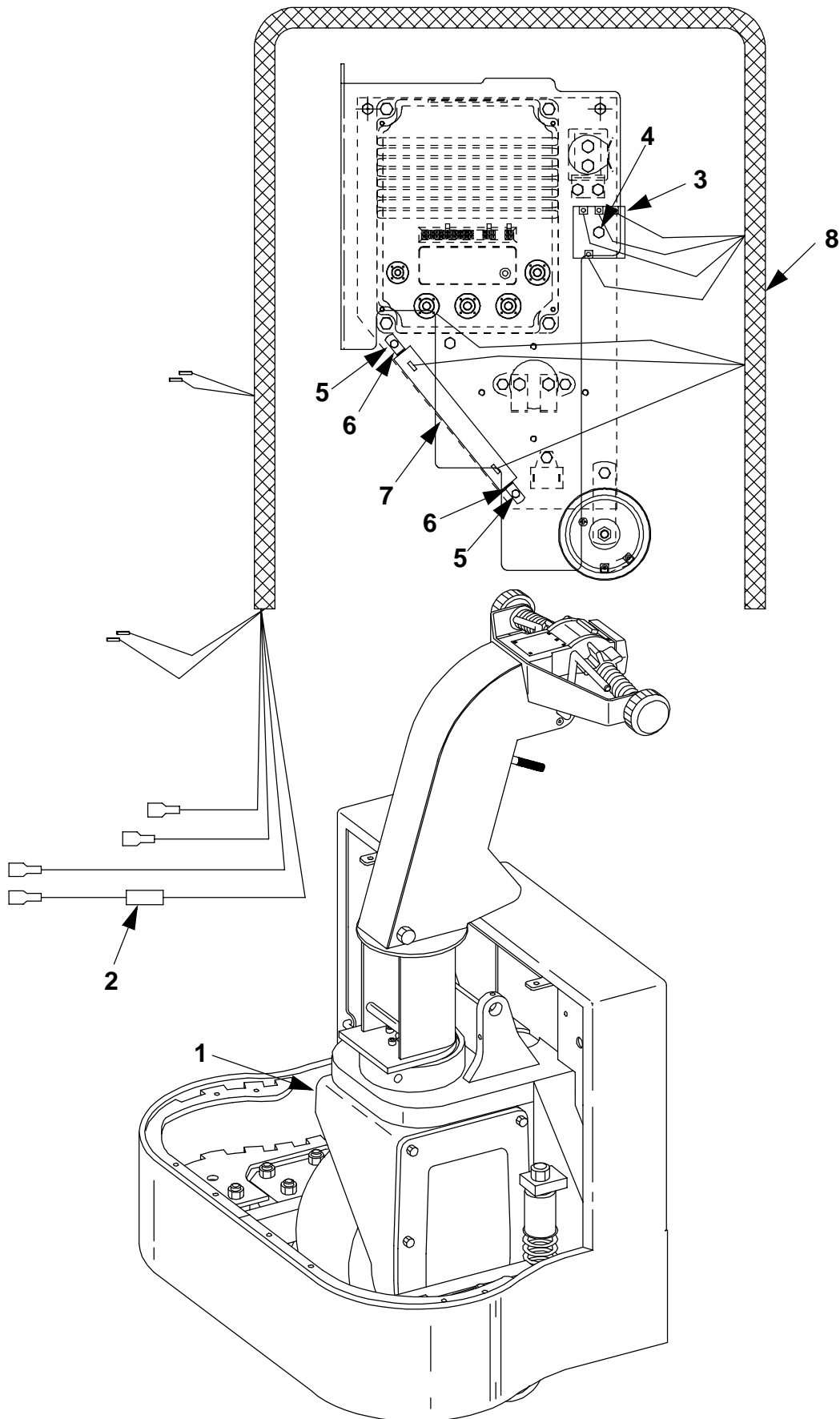


5430-000



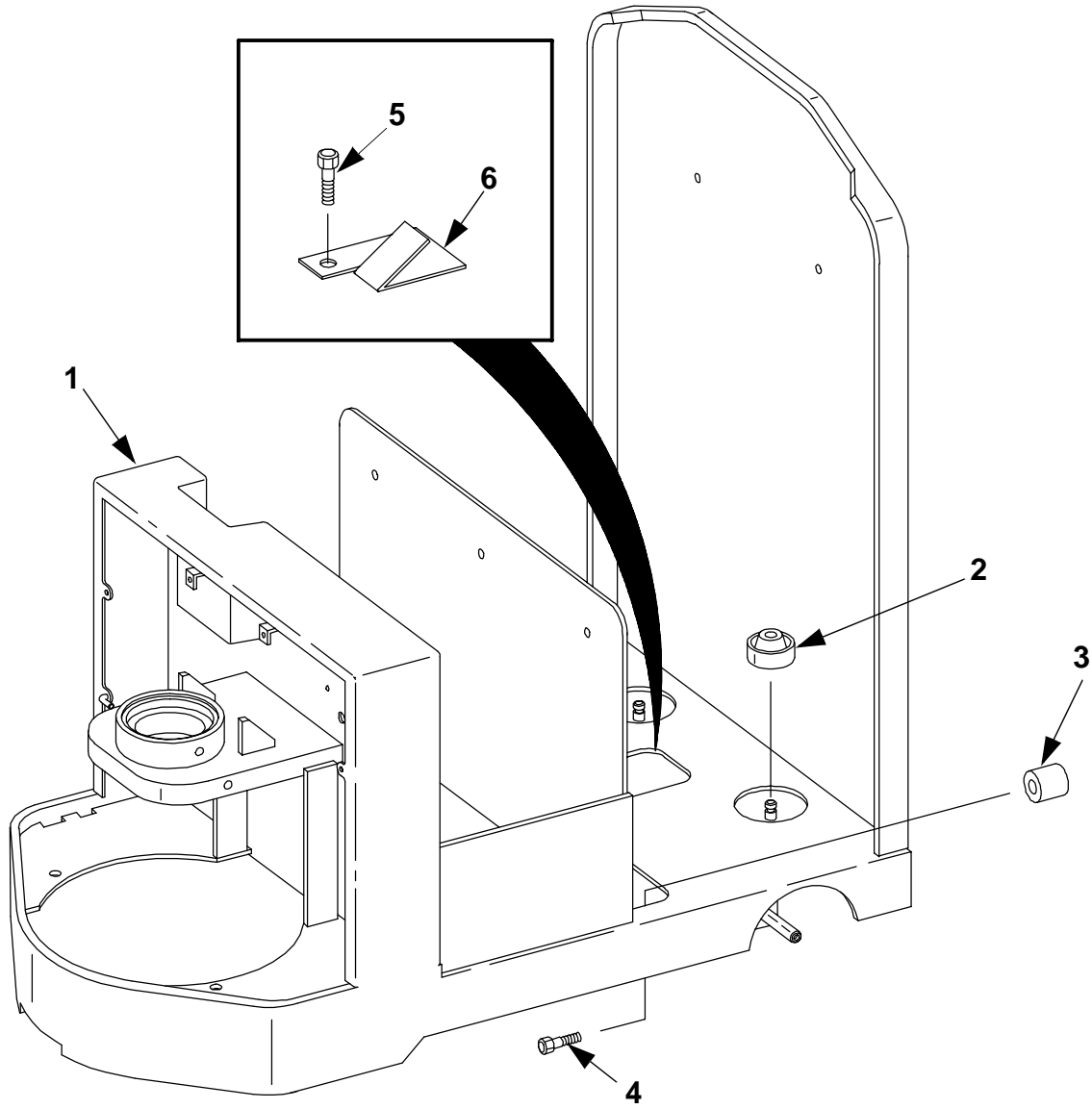


9660-100

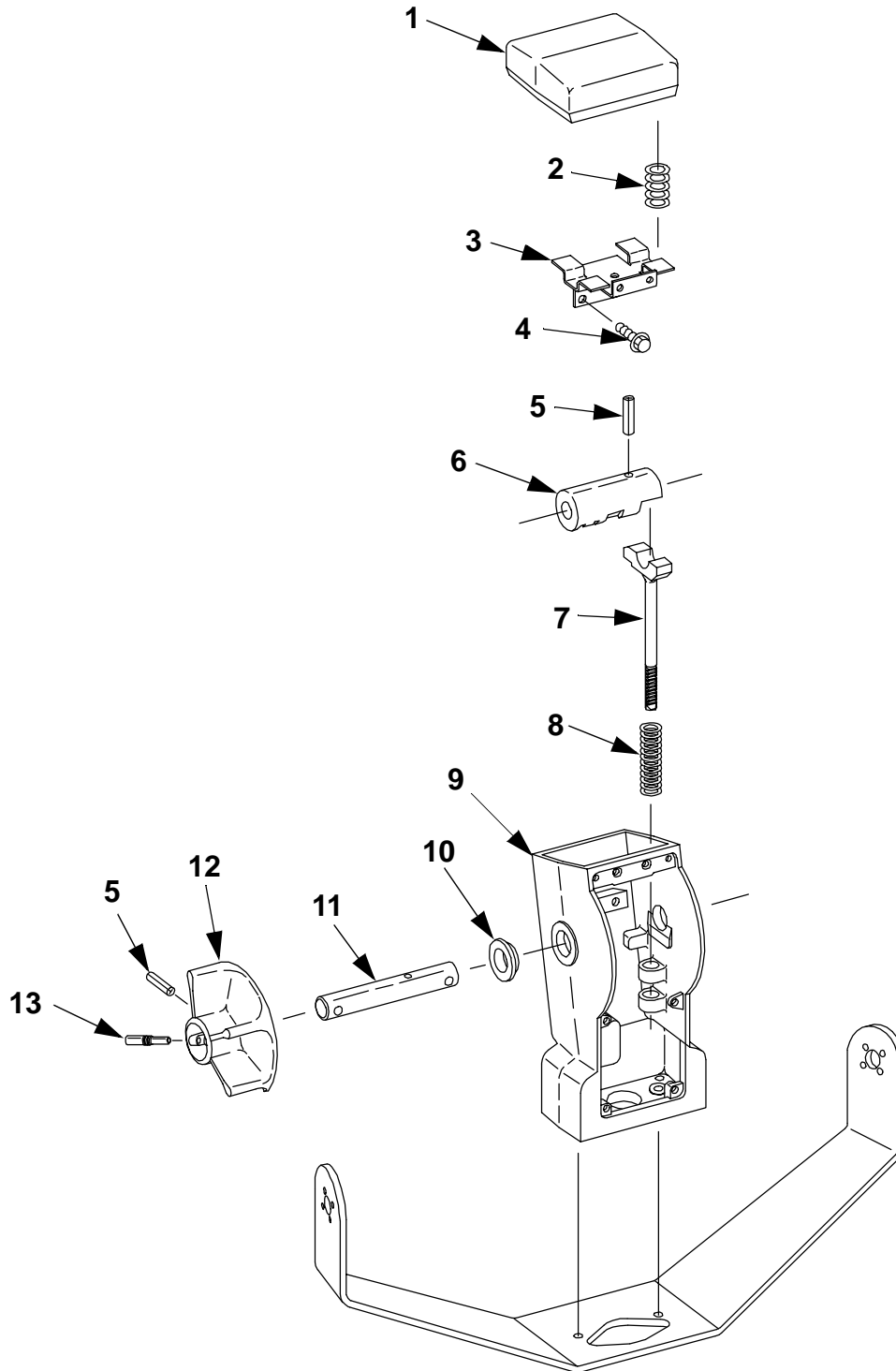




0300-000

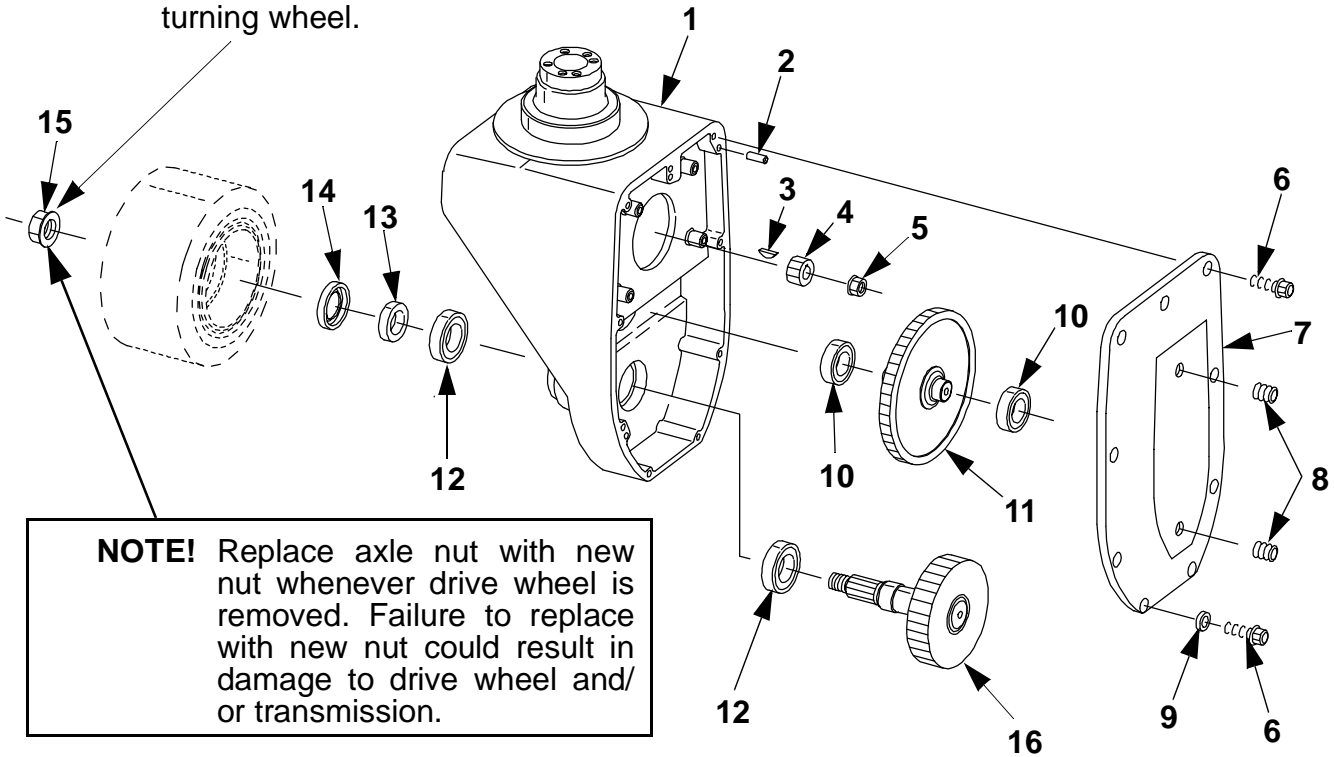


0640-000

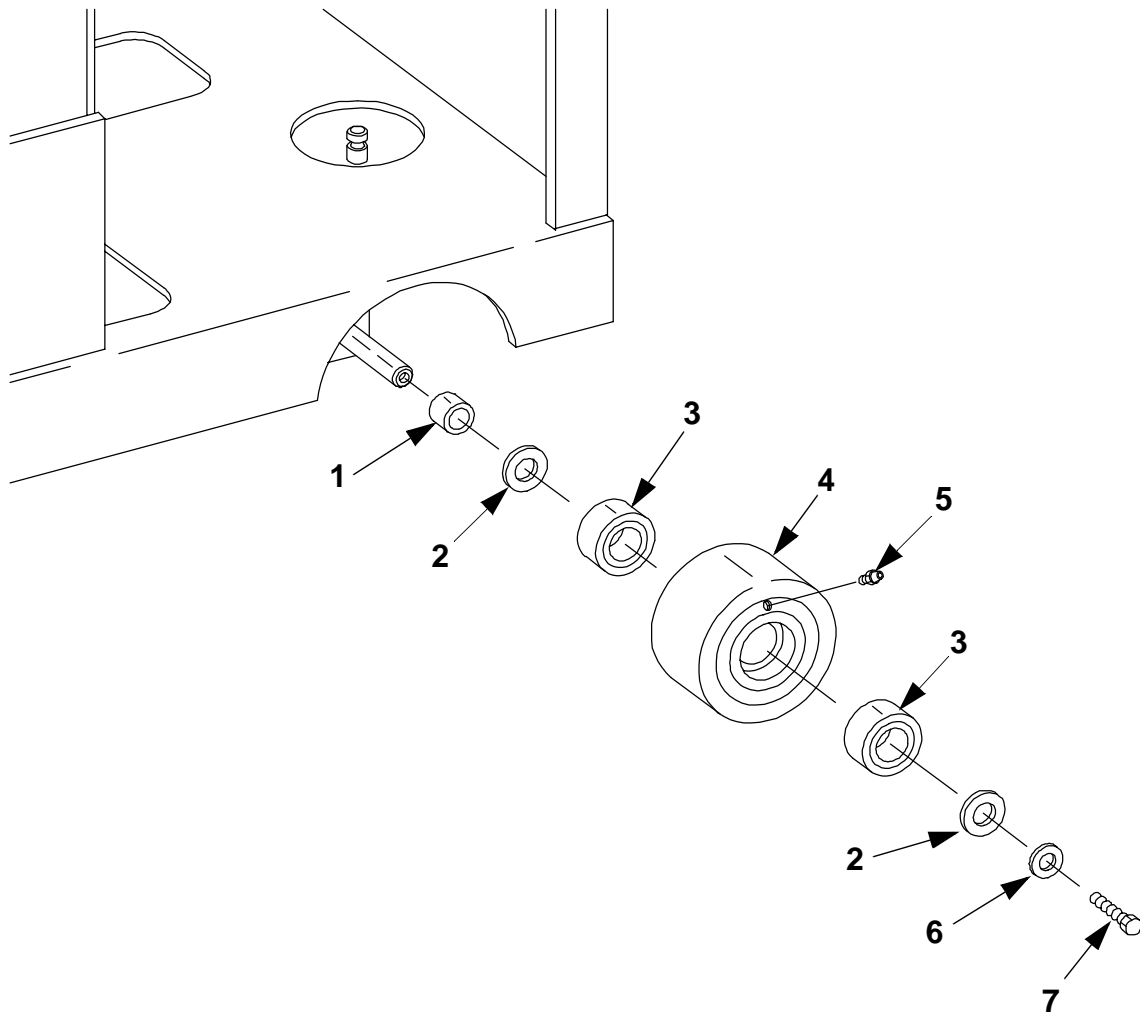


2550-000

Torque nut to  
250 ft./lb while  
turning wheel.

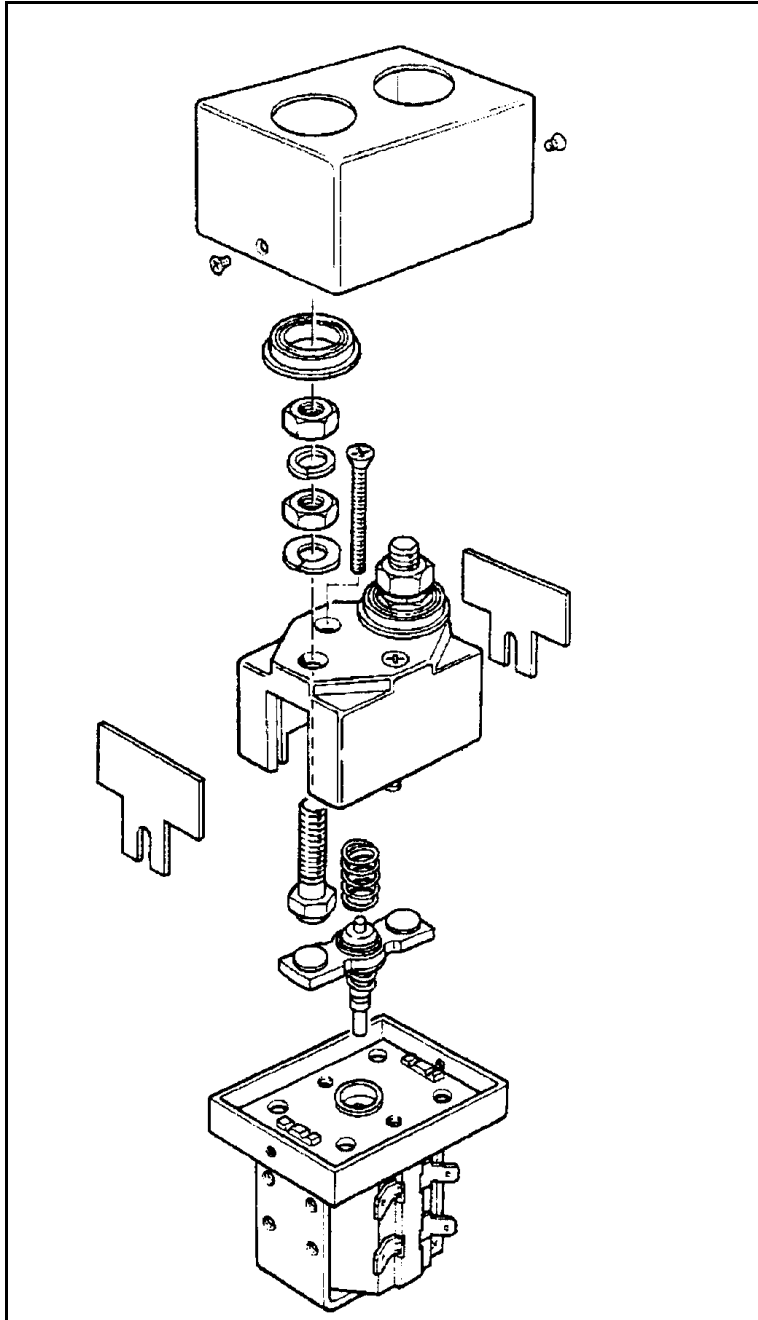


3550-000



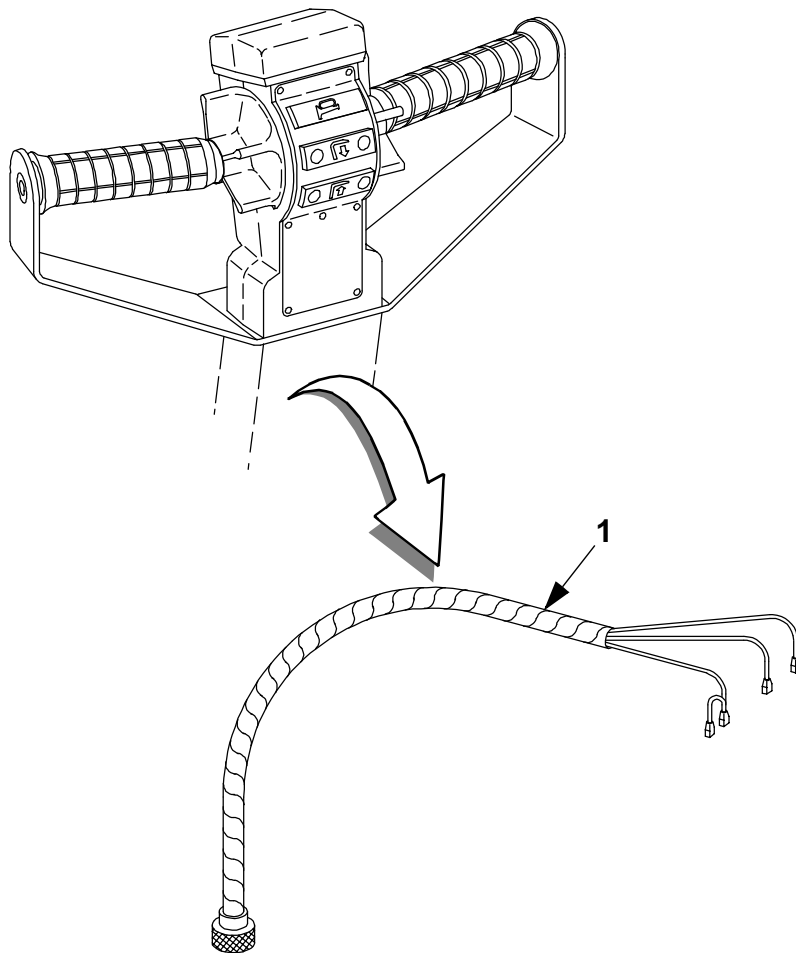


5192-200

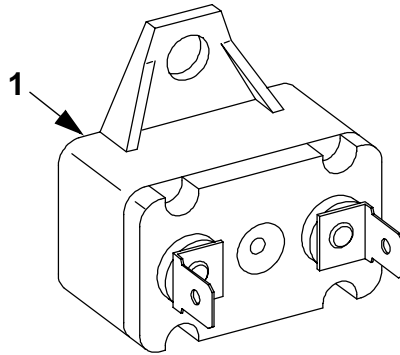


1

5390-000



**5910-000**







# TMX ELECTRIC TRUCK

## NUMERICAL INDEX

<u>PART #</u>	<u>FIG. #</u>	<u>ITEM #</u>	<u>PART #</u>	<u>FIG #</u>	<u>ITEM #</u>
301727-000	0640-000	3	302224-000	9660-000	4
301747-000	0300-000	3	302231-000	9660-000	3
301778-000	4111-000	16	302247-000	3530-000	3
301779-000	0640-000	13	302258-000	3530-000	1
301780-000	0640-000	11	302258-002	3530-000	1
301781-000	4111-000	15	302258-003	3530-000	1
301802-000	0340-000	9	302258-004	3530-000	1
301825-010	0640-000	4	302258-006	3530-000	1
301825-010	5330-000	3	302294-000	9370-000	2
301825-010	5510-000	9	302363-000	1760-101	2
301826-016	0340-000	13	302379-000	0340-000	6
301826-016	5460-001	2	302398-000	0340-000	15
301826-016	9370-000	14	302544-000	4110-000	22
301827-020	0300-000	5	302545-000	4110-000	31
301887-000	2550-000	4	302546-000	4110-000	26
301889-000	5910-000	1	302550-000	4110-000	10
301890-001	5911-000	1	302555-000	4110-000	13
301917-000	5160-000	2	302556-000	4110-000	17
301918-000	0640-000	2	302557-000	4110-000	5
301921-012	4111-000	2	302558-000	3300-000	4
301922-020	0340-000	1	302559-000	4110-000	14
301946-000	4180-000	6	302559-001	4110-000	14
301946-001	4180-000	1	302589-000	0300-000	6
301951-010	0341-000	1	302596-000	0340-000	12
301951-010	5192-100	*	302597-000	0340-000	3
301951-010	5192-200	*	302770-035	3550-000	7
301951-010	5390-100	4	302792-000	0341-000	*
301951-016	5430-000	3	302802-000	4110-000	19
301951-025	9660-100	4	302803-000	4110-000	29
301952-016	4110-000	2	302804-000	4110-000	24
301952-040	5190-000	2	302806-000	4110-000	9
301954-025	4110-000	11	302808-000	4110-000	32
301954-035	4111-000	17	302810-000	4110-000	8
301954-035	5160-000	3	302811-008	4110-000	18
301954-035	9370-000	7	302831-000	4111-000	14
301955-016	0300-000	4	302839-030	4111-000	10
301955-016	0340-000	5	302862-000	4111-000	12
301957-050	9510-000	4	302864-000	4111-000	9
301957-050	9510-000	11	302872-002	4111-000	11
301957-050	9510-000	15	302909-000	0340-000	16
301960-004	4111-000	4	302916-000	0340-000	2
301960-004	9660-000	*	302922-000	3550-000	4
301960-006	5190-000	5	302922-001	3550-000	4
301960-008	5390-100	*	302923-000	0390-000	2
301960-008	9370-000	9	302928-000	3550-000	2
301960-010	5180-000	4	302931-000	0390-000	2
301961-010	4111-000	8	302935-000	0300-000	1
301964-016	4111-000	13	302948-000	5390-100	6
301964-032	0640-000	5	302961-000	0340-000	7
301965-026	4111-000	7	302996-000	9510-000	5
302016-000	5310-000	1	303009-025	2550-000	6
302023-000	5390-000	1	303009-025	3300-000	3
302057-000	0300-000	2	303032-000	0390-000	1
302060-000	0340-000	10	303032-001	0390-000	1
302069-000	0340-000	14	303037-000	9510-000	12
302080-000	4111-000	5	303038-000	9510-000	1
302129-000	5160-000	1	303045-003	0850-000	*
302201-000	5290-000	1	303046-003	0850-000	*

**0000**

**Chassis**

0300-000 Frame / Chassis..... 9

0340-001 Inspection covers (Shields & guards) ..... 11

0341-000 Inspection covers (“EE” electrical box) ..... 13

0342-000 Inspection covers (Splash guard) ..... 15

0390-000 Battery compartment parts ..... 17

0640-000 Drivers controls (speed & direction)..... 19

0850-001 Signs, warnings ..... 21

**1000**

**Motors**

1760-102 Drive motor Serial number 27179001 - UP..... 25

**2000**

**Transmission / Drive Gear**

2550-000 Mechanical drive gear unit..... 29

**3000**

**Brake / Wheel System**

3300-000 Parking brake system ..... 33

3360-001 Brake drum / disc assembly..... 35

3530-001 Drive wheel ..... 37

3550-000 Fork / support arm / outrigger wheels ..... 39

**4000**

**Steering System**

4110-000 Handle stem and brake levers ..... 43

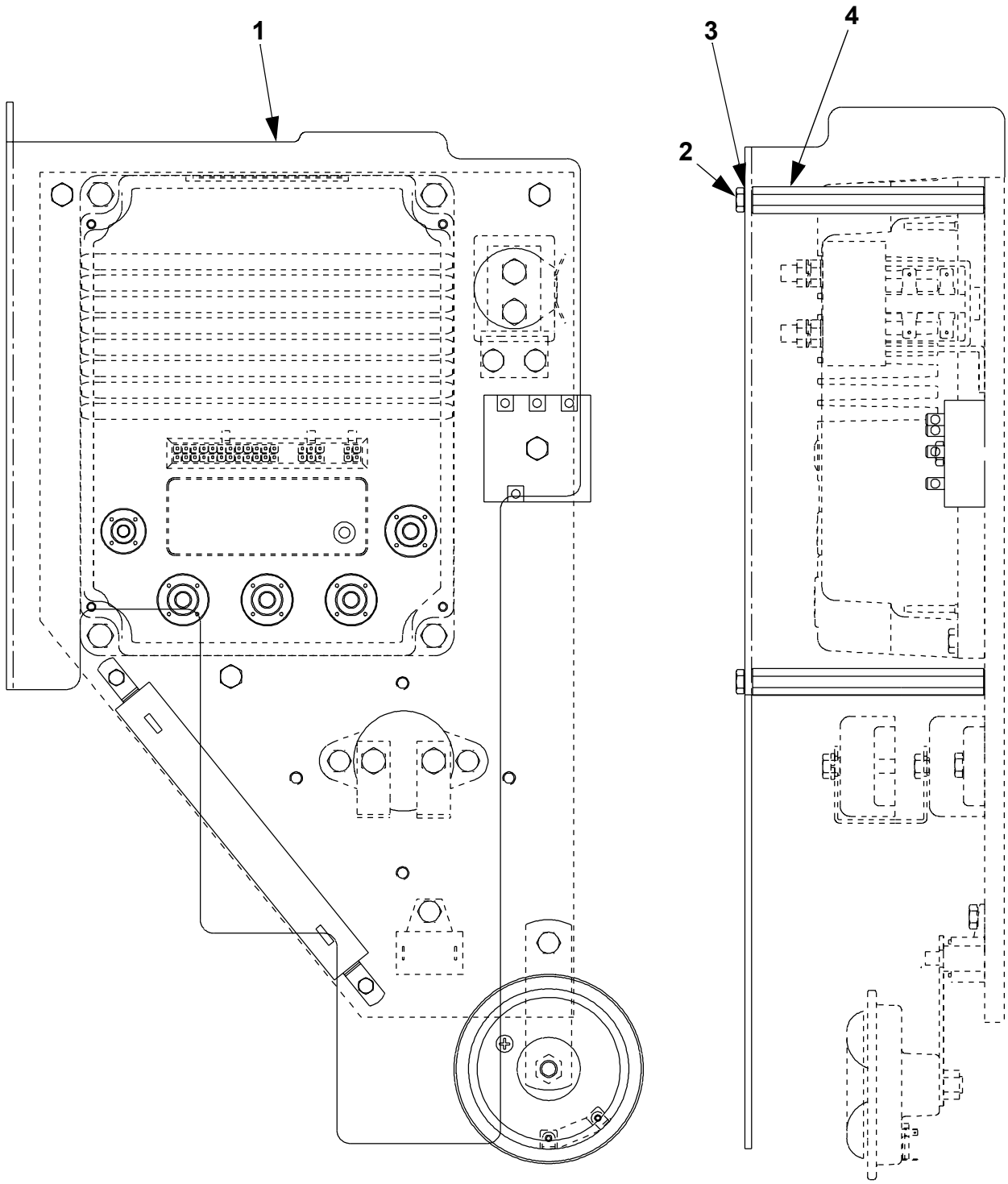
4111-000 Steering arm / wheel (Handle head assembly) ..... 45

4180-000 Steering / radial bearing ..... 47

0342-000

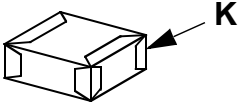
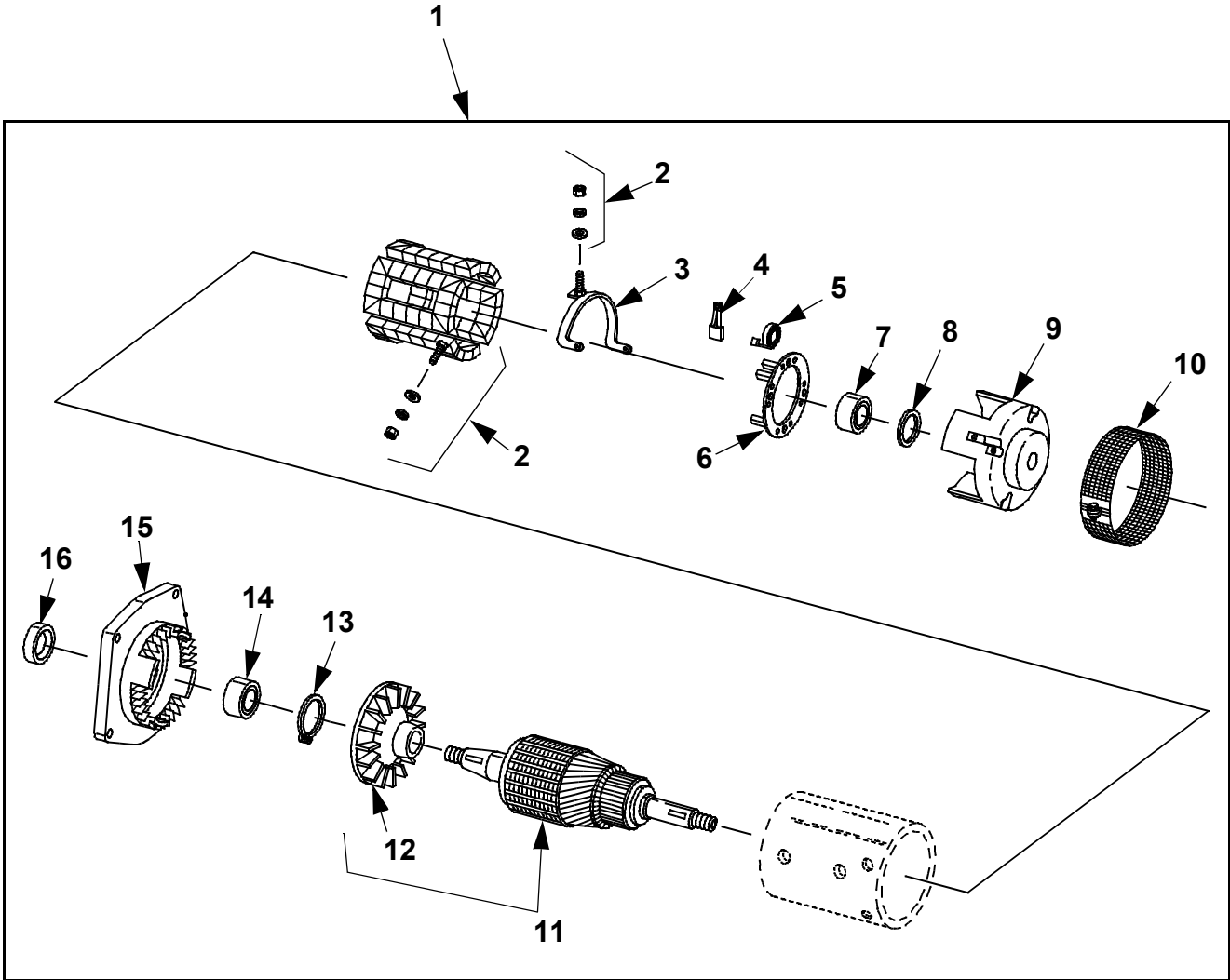
Quality Parts

0342-000

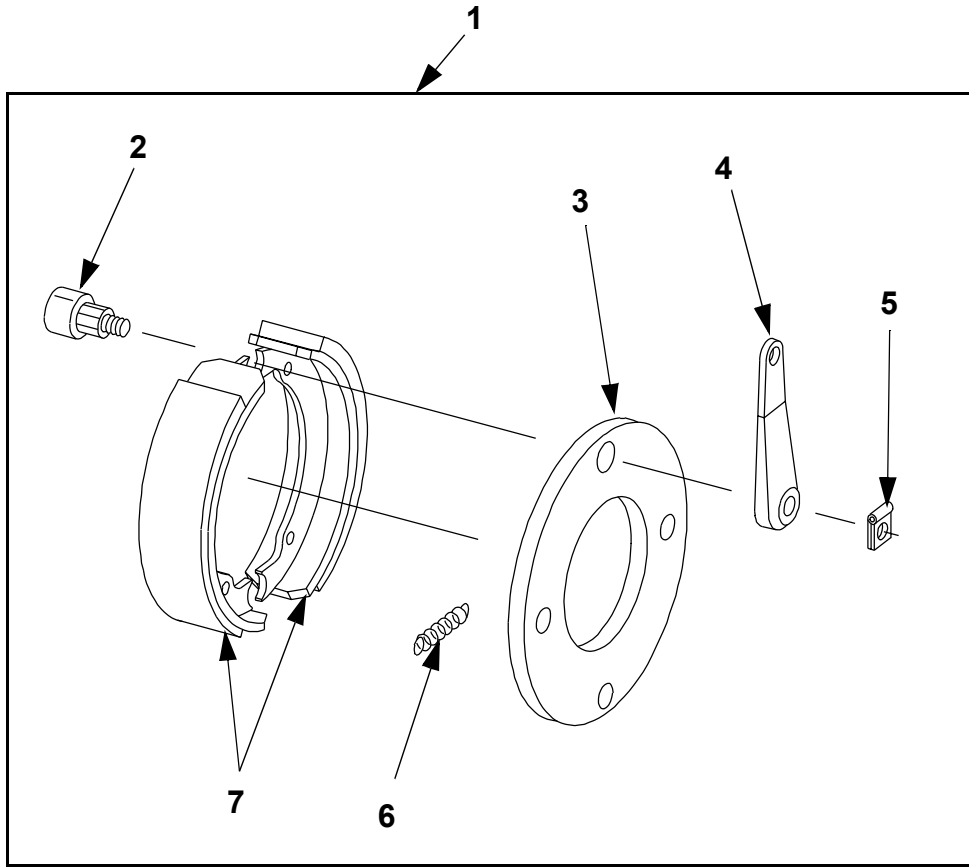


1760-102

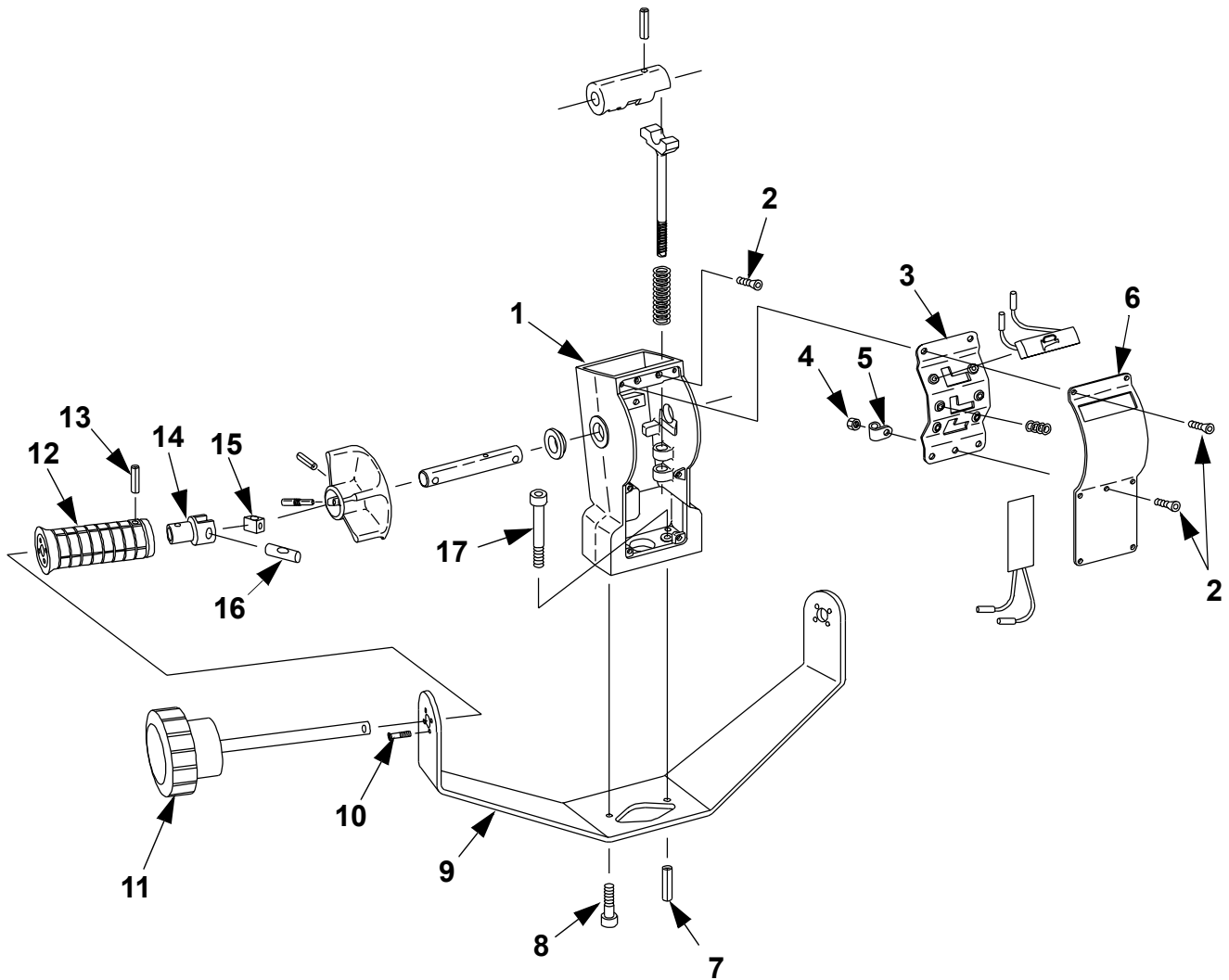
Serial number  
27179001 - UP



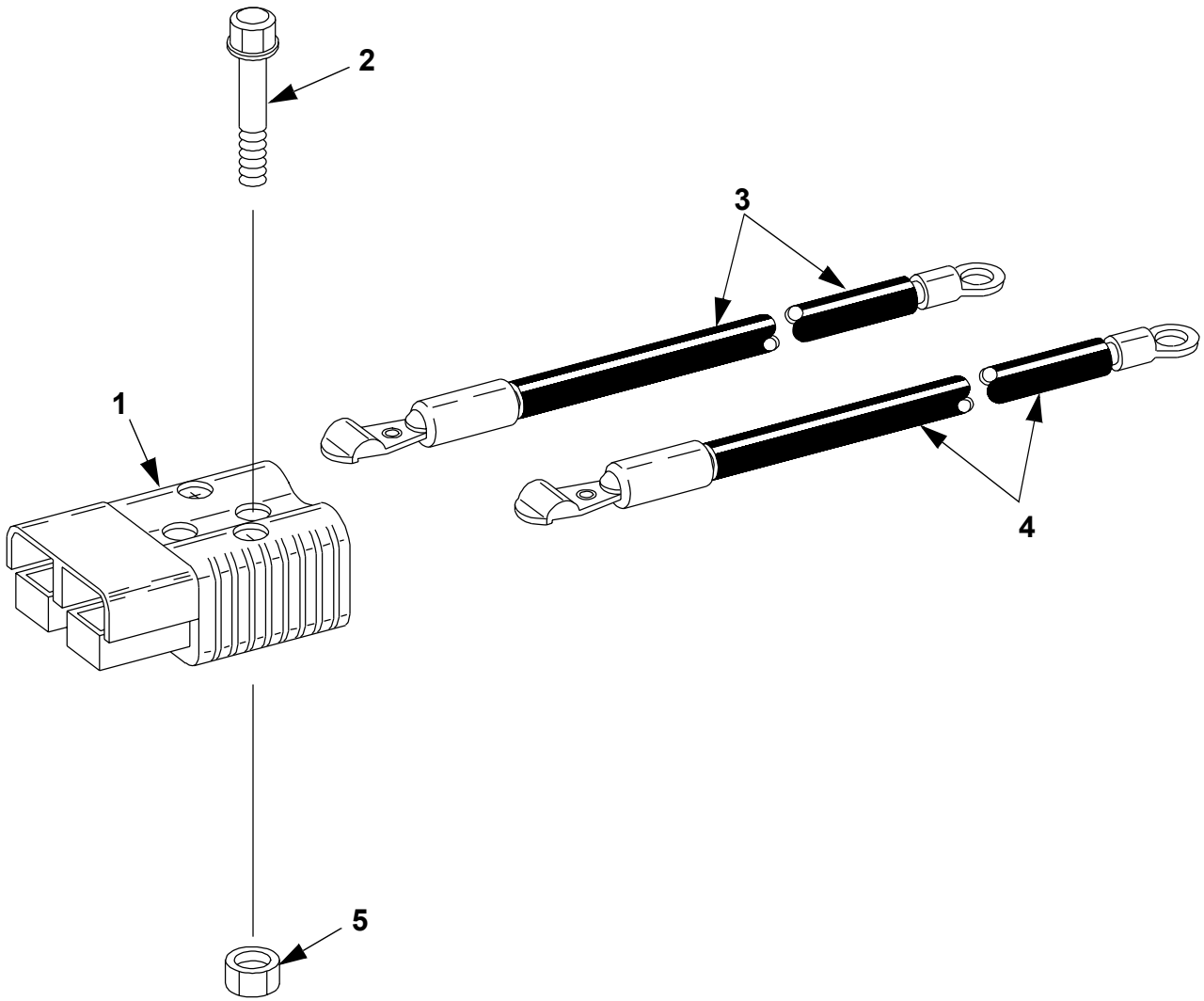
3360-001



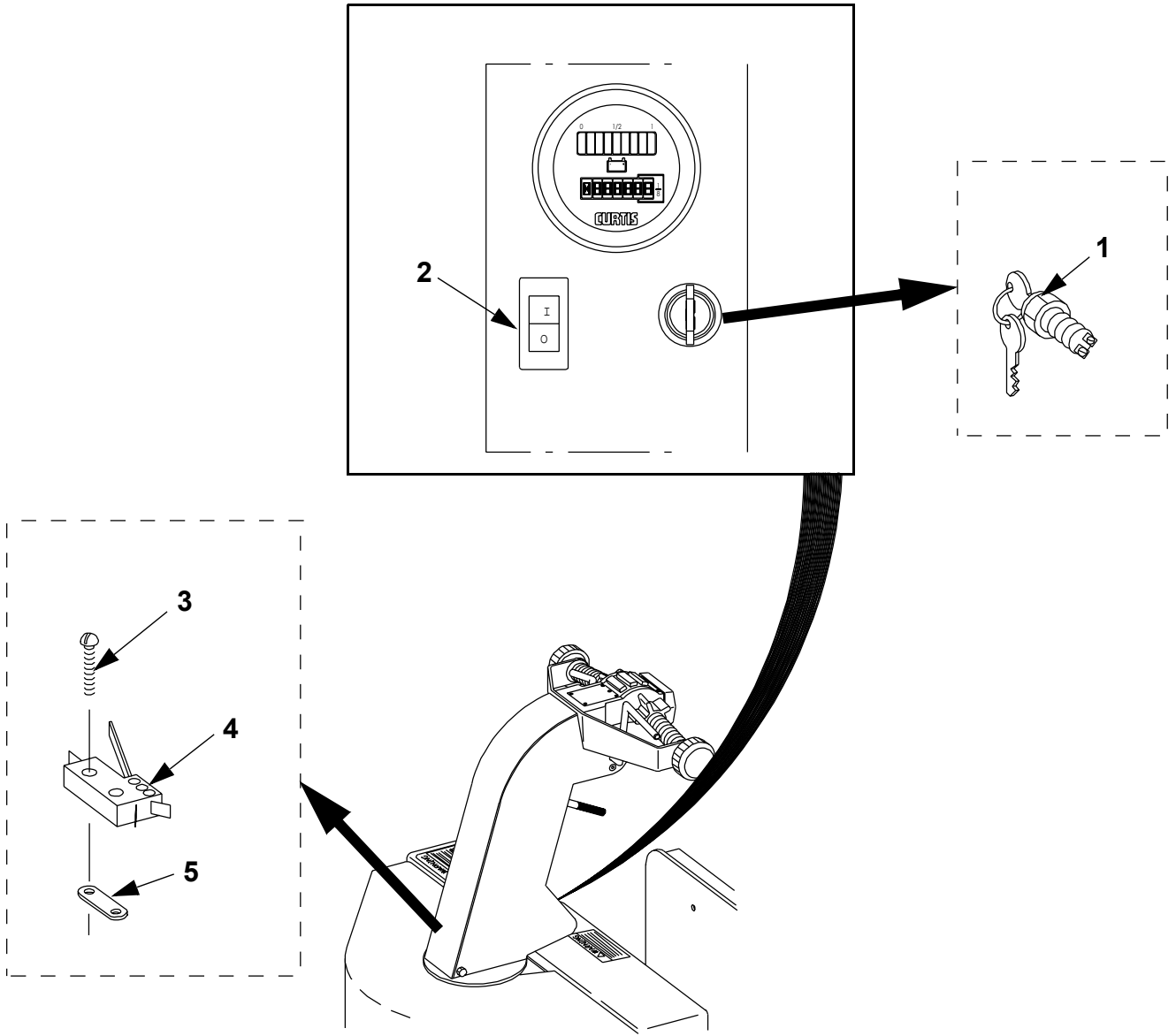
4111-000



5190-000



5310-000



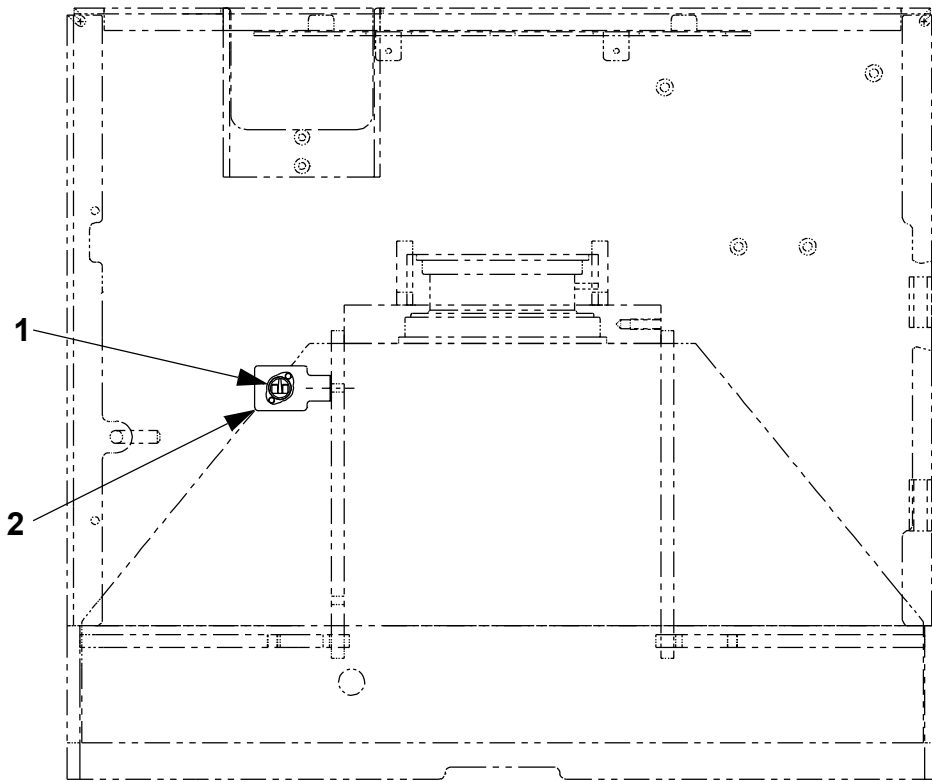
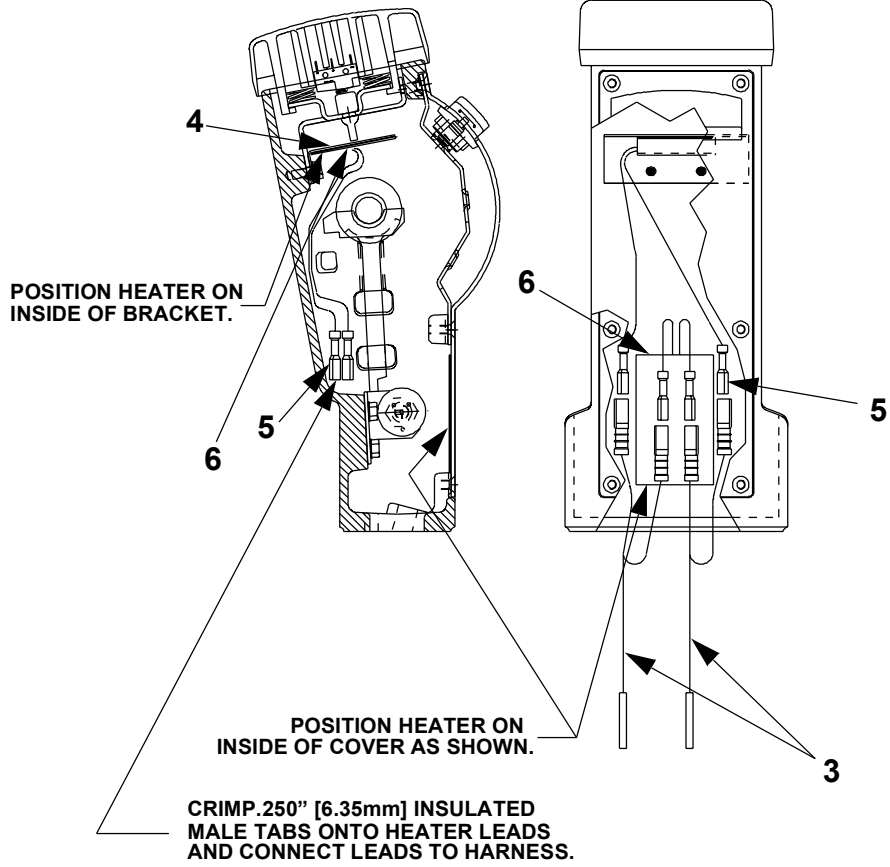


This page intentionally left blank

9660-000

CONTROL HANDLE  
SIDE VIEW-SECTION

CONTROL HANDLE  
TOP VIEW



This page intentionally left blank

CLICK HERE TO **DOWNLOAD** THE COMPLETE MANUAL

- Thank you very much for reading the preview of the manual.
- You can download the complete manual from: [www.heydownloads.com](http://www.heydownloads.com) by clicking the link below



- Please note: If there is no response to CLICKING the link, please download this PDF first and then click on it.

CLICK HERE TO **DOWNLOAD** THE COMPLETE MANUAL