



BT Prime-Mover

TE 50 / 70

● Parts Manuals

300446-000 1991_November
300446-001 1993_August



CLICK HERE TO **DOWNLOAD** THE COMPLETE MANUAL

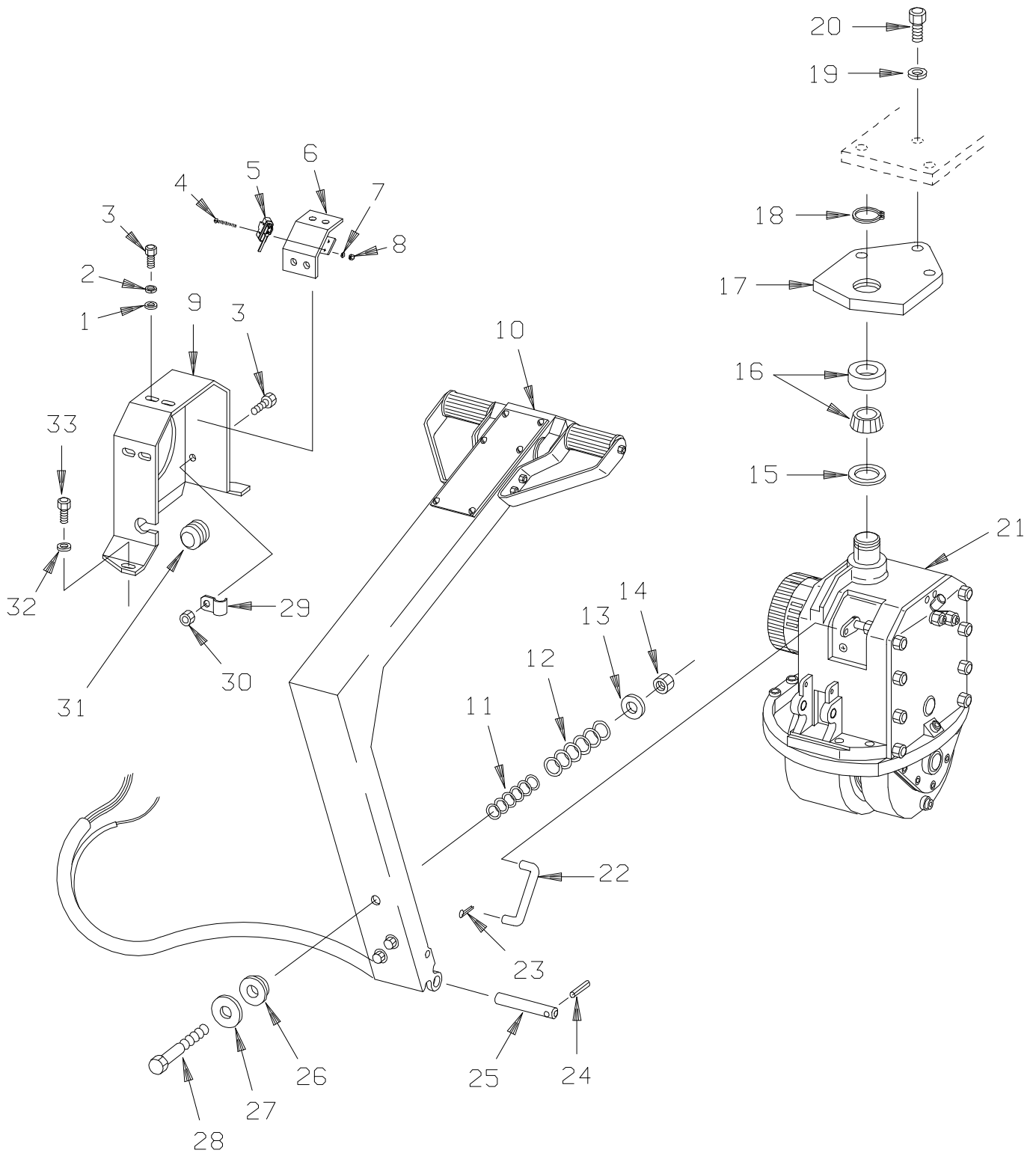
- Thank you very much for reading the preview of the manual.
- You can download the complete manual from: www.heydownloads.com by clicking the link below



- Please note: If there is no response to CLICKING the link, please download this PDF first and then click on it.

CLICK HERE TO **DOWNLOAD** THE COMPLETE MANUAL

FIGURE # 1.1 TE-50 TRANSMISSION AND HANDLE ASSEMBLY



**FIGURE # 1.6 TE-50 DRIVE MOTOR ASSEMBLY (ADVANCED 12 VOLT 20190-01)
(PRESTOLITE 12 VOLT 20190-00)**

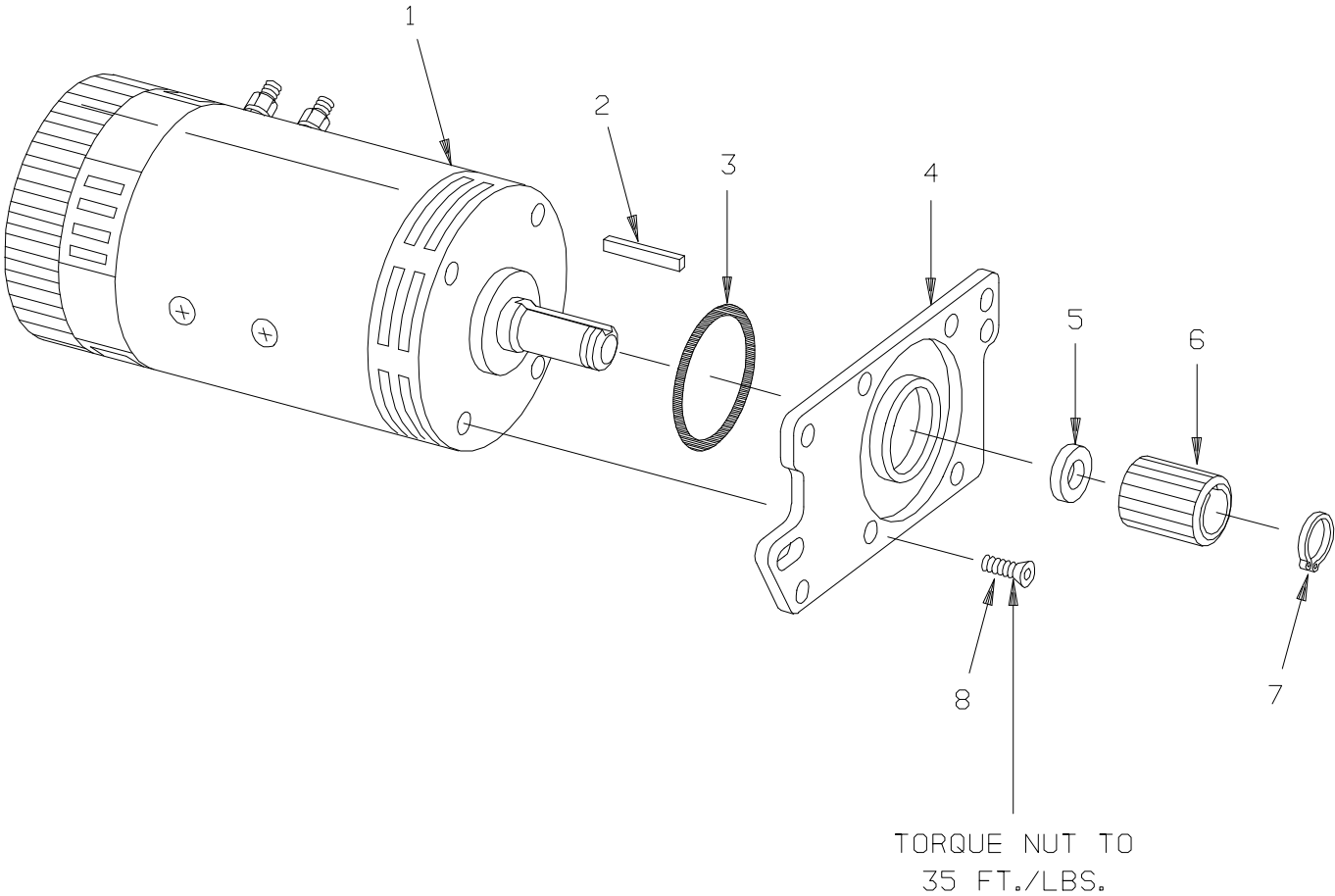


FIGURE # 2.3 EV-100 SCR MASTER CONTROL SWITCH (24455-02)

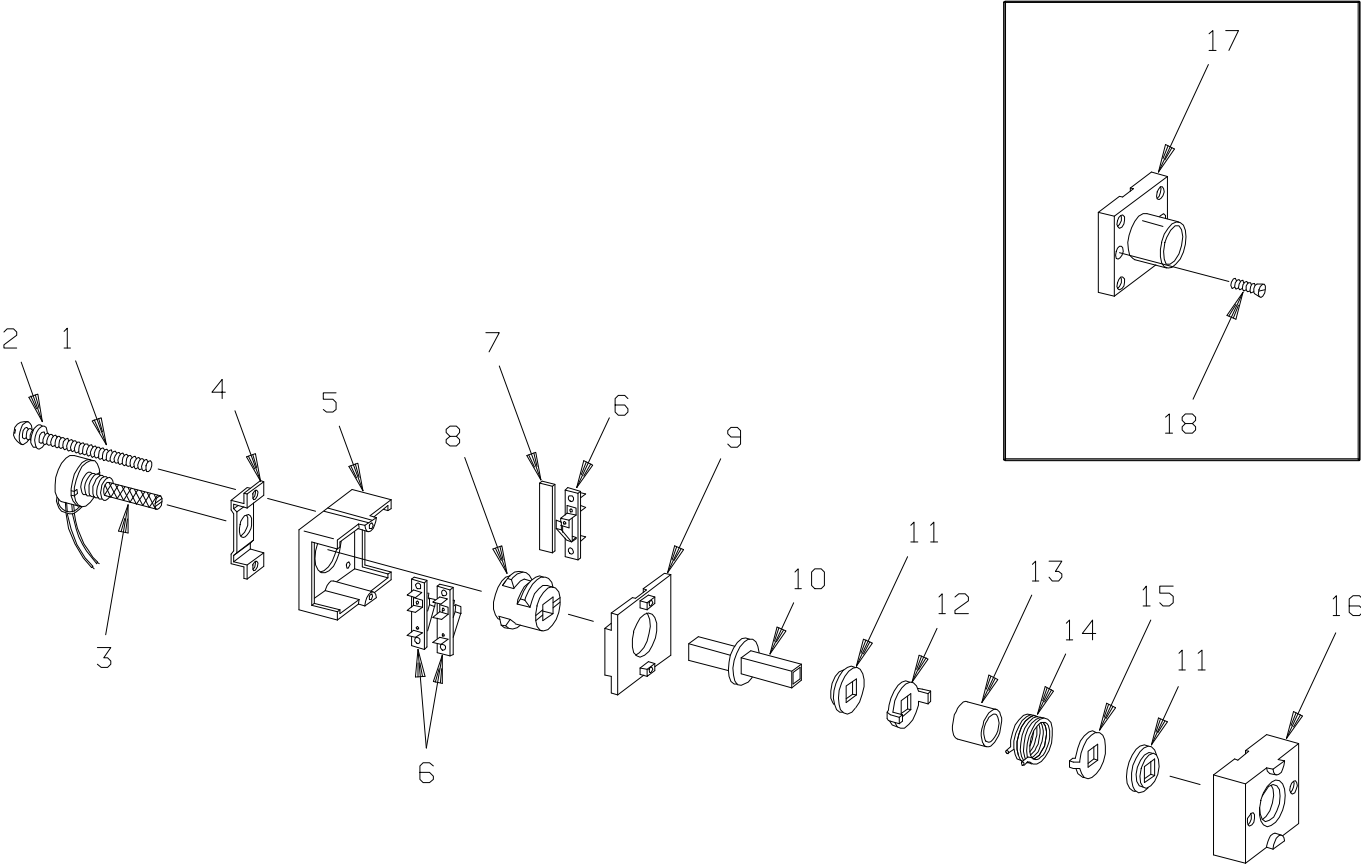


FIGURE # 2.9 TE-50 TWO SPEED CONTACTOR ASSEMBLY (12 VOLT, 27693-01)

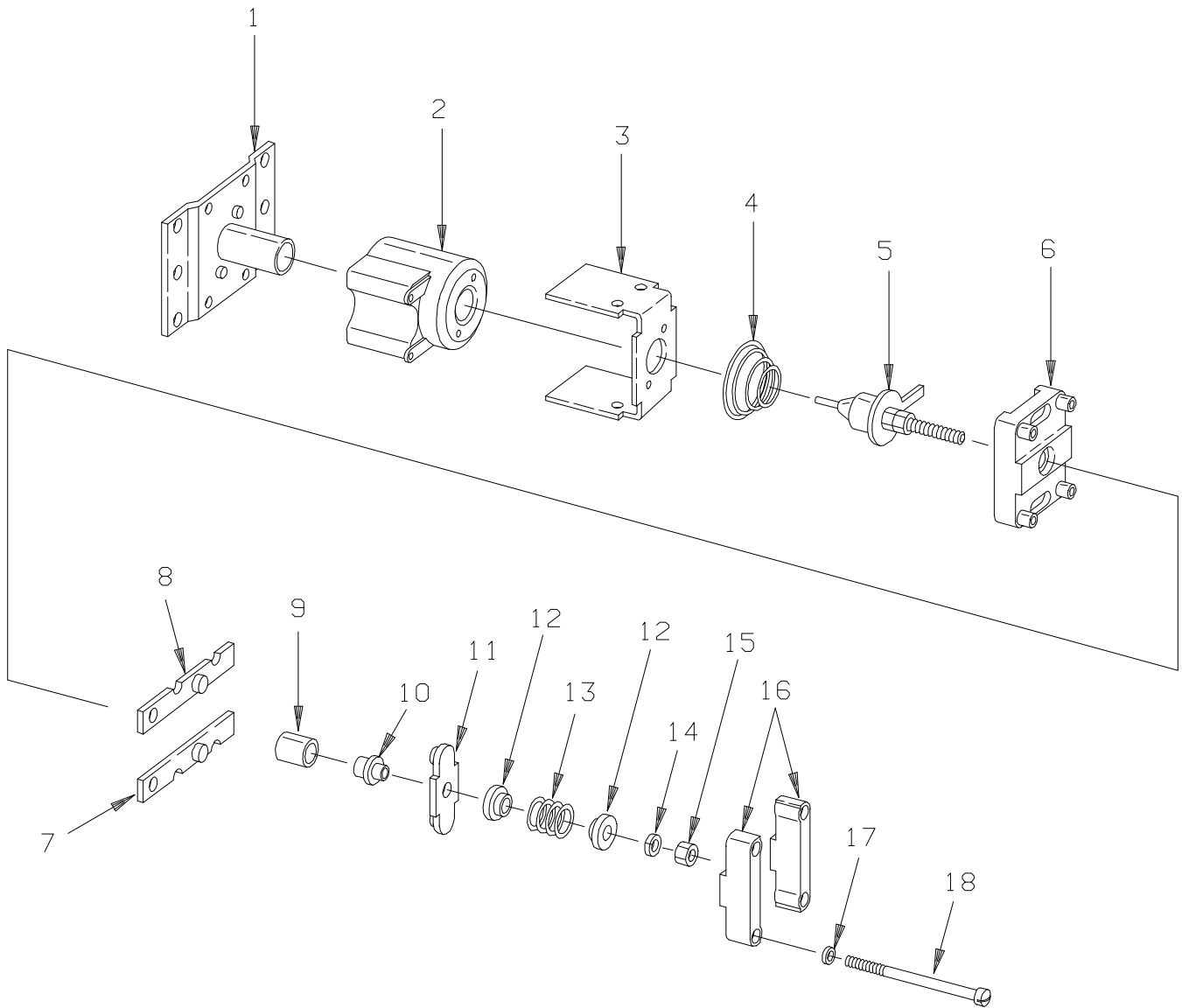


FIGURE # 2.15 TE-70 THREE SPEED CONTROL WIRING (24 VOLT)

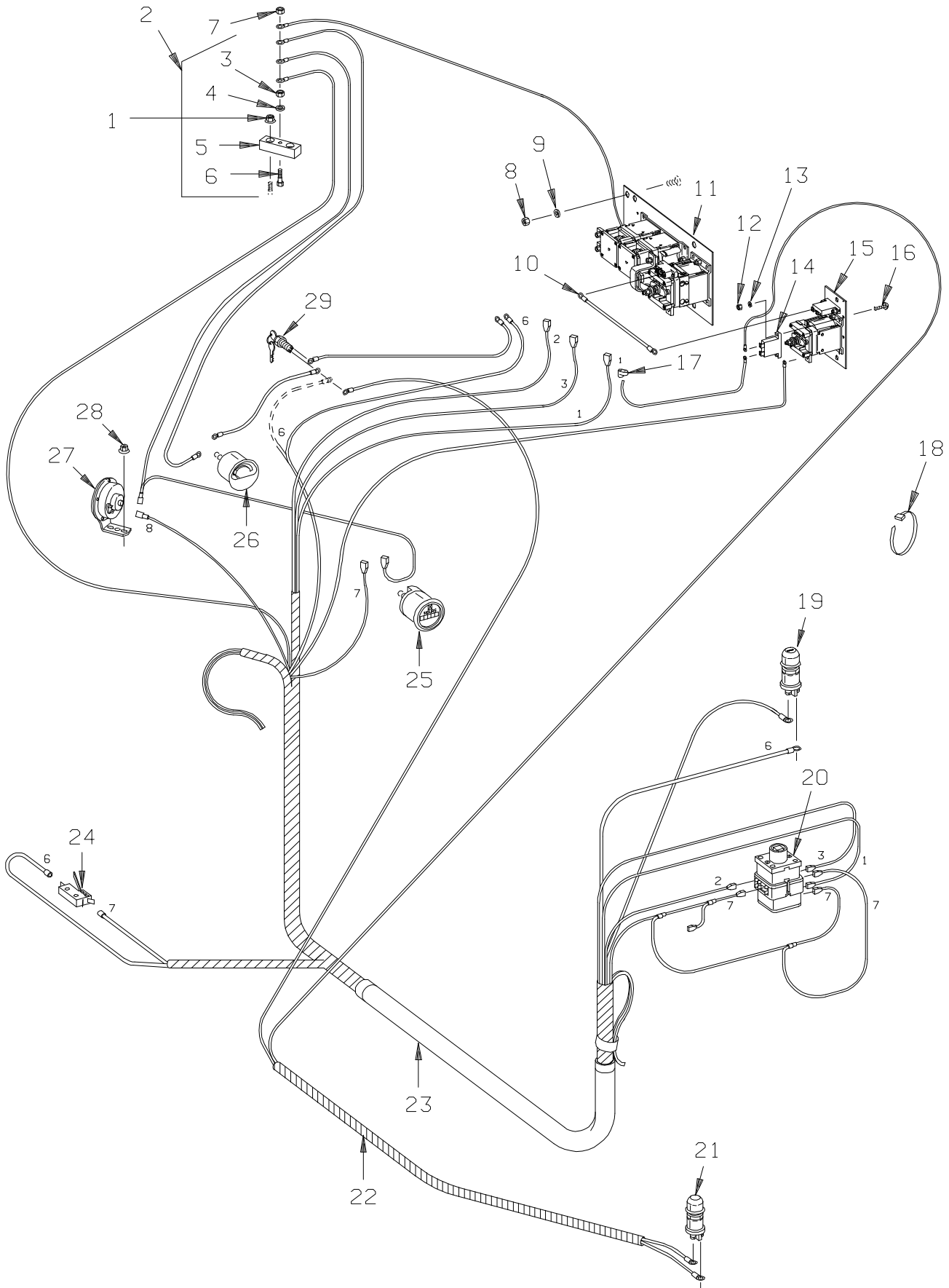


FIGURE # 2.20 TE-70 THREE SPEED CONTACTOR PANEL ASSEMBLY (24 VOLT, 27266-00)

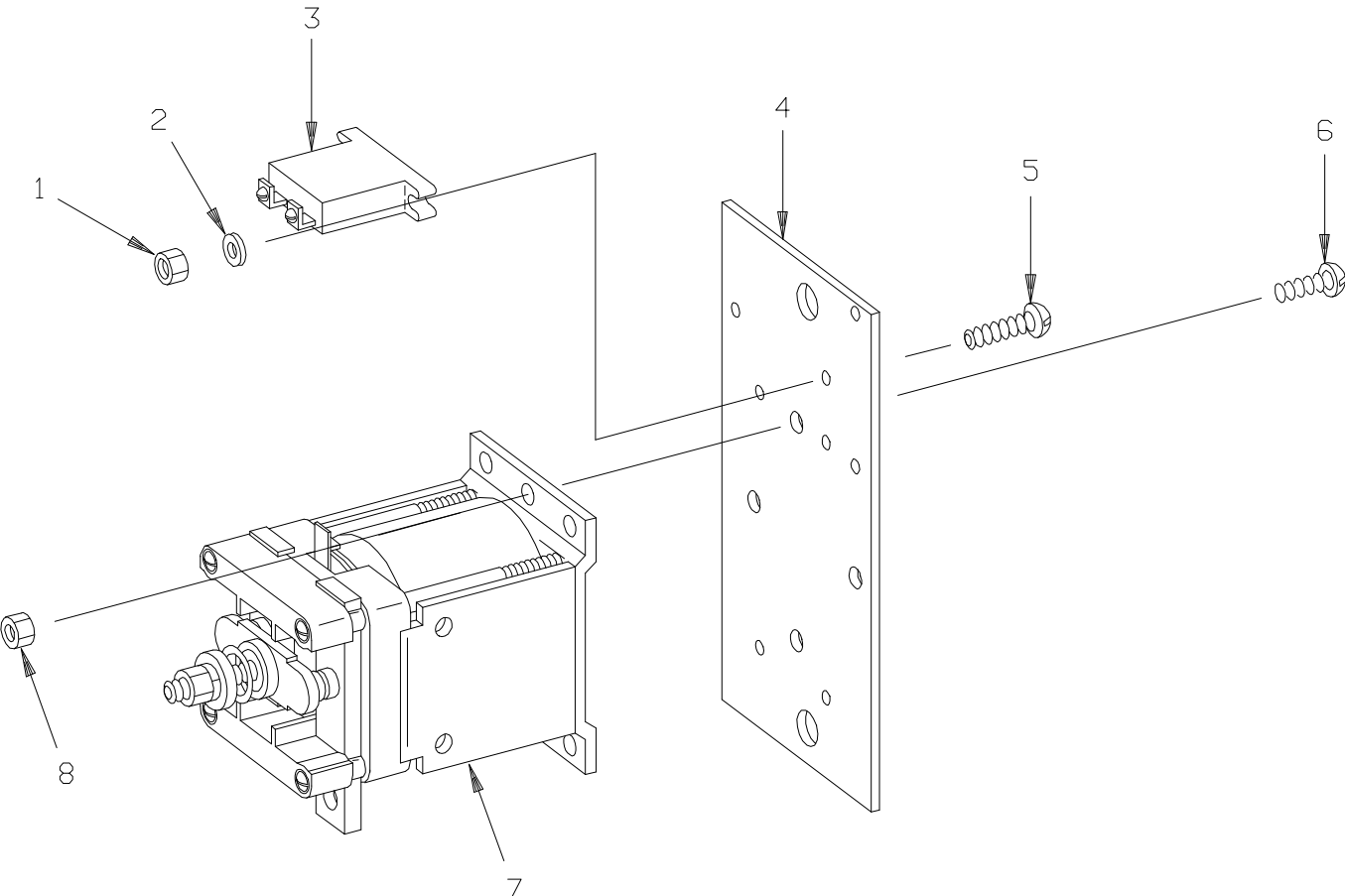
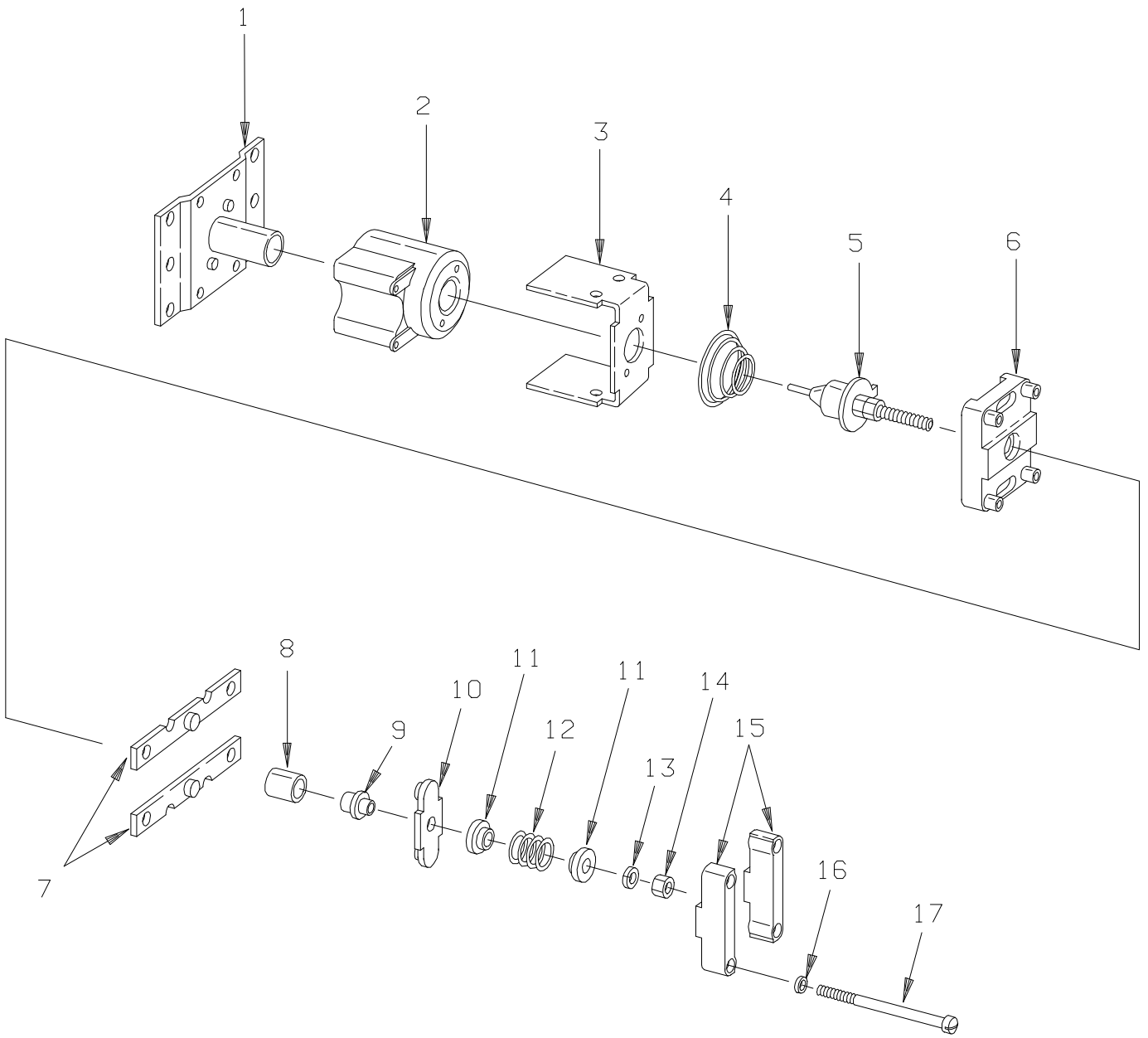


FIGURE # 2.31 TE-70 EV-100 FORWARD & REARWARD CONTACTOR ASSEMBLY (27693-02)



CLICK HERE TO **DOWNLOAD** THE COMPLETE MANUAL

- Thank you very much for reading the preview of the manual.
- You can download the complete manual from: www.heydownloads.com by clicking the link below

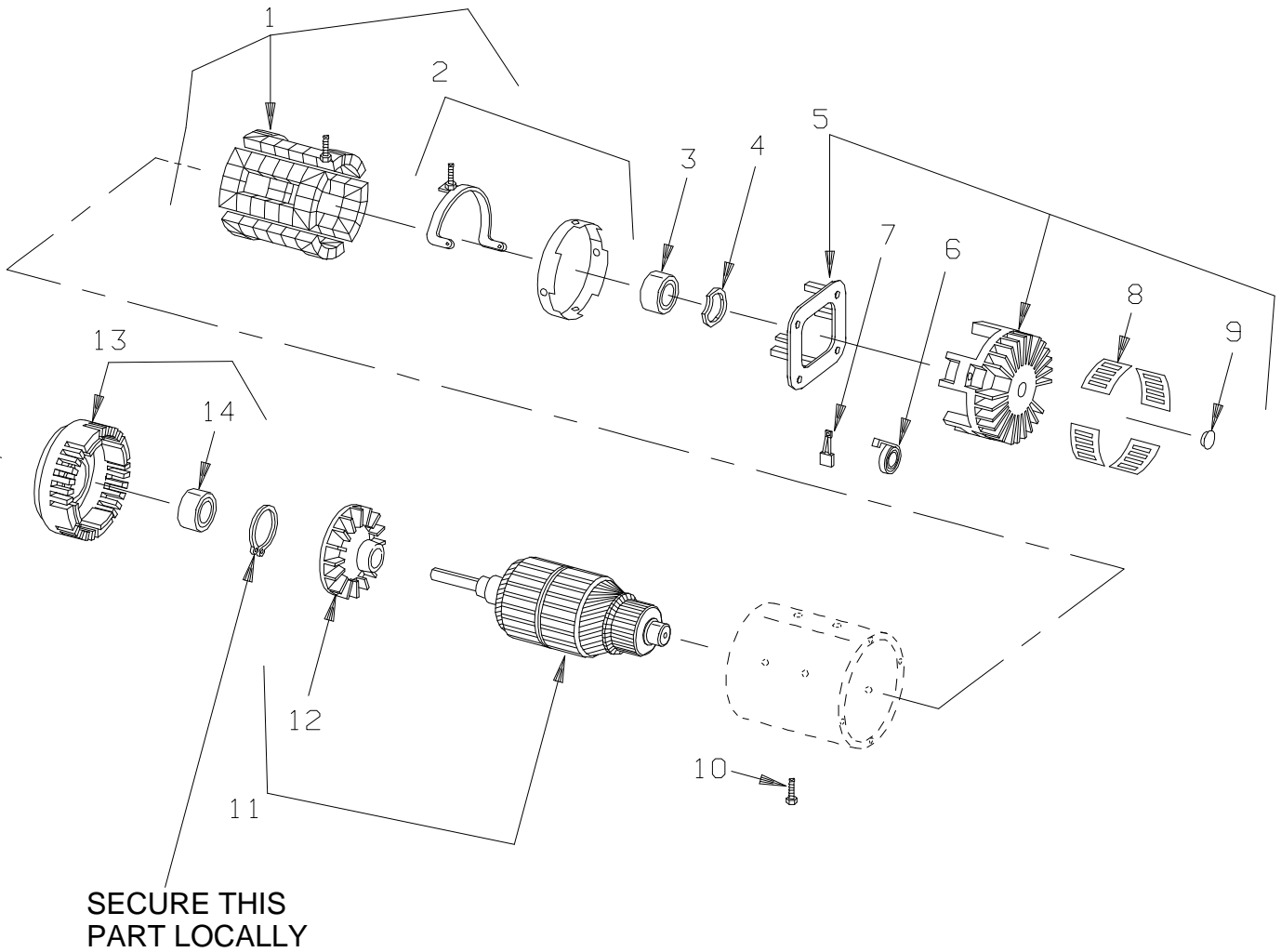


- Please note: If there is no response to CLICKING the link, please download this PDF first and then click on it.

CLICK HERE TO **DOWNLOAD** THE COMPLETE MANUAL

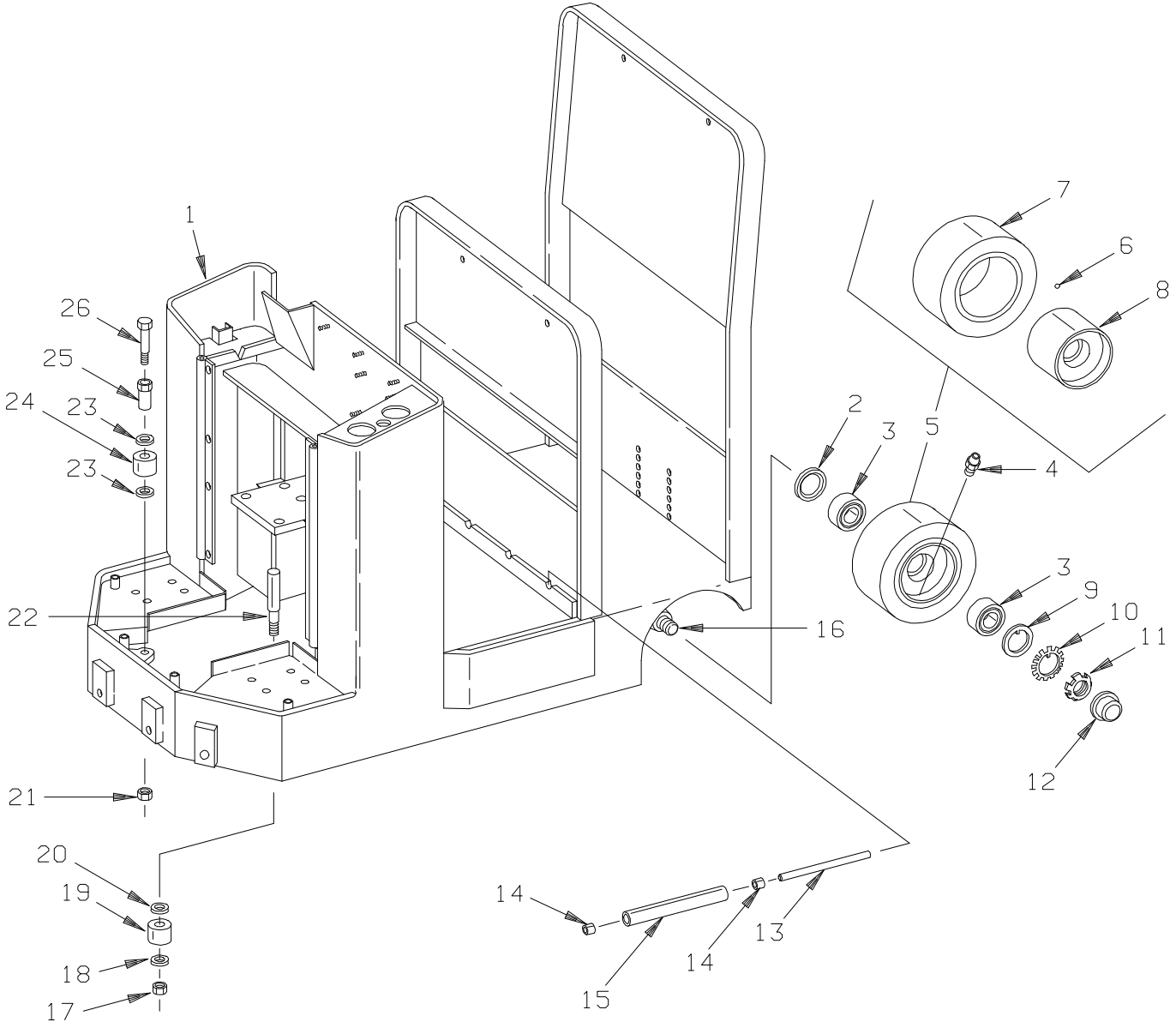
FIGURE # 2.36 TE-50, 12 VOLT DRIVE MOTOR ASSEMBLY

(MLD-4009, 20680-00, PRESTOLITE)



PHANTOM ITEMS ARE **NOT AVAILABLE**

FIGURE # 4.3 FRAME ASSEMBLY



MODEL TE-50/70 ELECTRIC TOW TRACTOR

NUMERICAL INDEX

<u>PART #</u>	<u>FIG. #</u>	<u>ITEM #</u>	<u>PART #</u>	<u>FIG #</u>	<u>ITEM #</u>
14826-00	2.6	19	200077	2.18	2
14892-01	1.3	28	200077	2.31	2
14896-00	1.2	24	200077	2.19	2
14896-00	1.1	27	200077	2.30	2
14915-01	0.1	5	200078	2.19	3
14915-03	0.1	6	200078	2.30	3
14957-01	4.1	8	200078	2.10	3
14986-03	1.7	6	200079	2.19	4
14994-07	4.4	11	200079	2.30	4
14994-08	1.4	15	200079	2.10	4
14994-08	1.2	17	200080	2.19	5
14994-08	1.1	20	200080	2.30	5
14994-15	1.7	19	200080	2.10	5
14994-18	1.2	25	200081	2.19	6
14994-18	1.1	28	200081	2.30	6
14998-01	1.4	21	200081	2.18	6
14999-01	1.8	17	200081	2.10	6
14999-01	1.5	25	200081	2.31	6
20002-00	1.5	13	200081	2.9	6
200025	10.1	6	200082	2.19	7
20003-00	1.4	13	200082	2.10	7
200038	2.33	22	200082	2.30	7
200039	2.33	3	200083	2.19	8
200040	2.33	2	200083	2.30	8
200041	2.33	9	200083	2.10	8
200042	2.33	8	200084	2.19	9
200043	2.33	6	200084	2.30	9
200044	2.33	15	200084	2.10	9
200045	2.33	31	200085	2.30	11
200045	2.33	13	200085	2.19	11
200046	2.33	30	200085	2.10	11
200047	2.33	33	200086	2.30	13
200048	2.33	27	200086	2.10	13
200049	2.33	26	200086	2.19	13
200050	2.33	19	200087	2.30	14
200051	2.33	20	200087	2.19	14
200052	2.33	12	200087	2.10	14
200054	2.33	29	200088	2.30	15
200055	2.33	32	200088	2.19	15
200056	2.33	1	200088	2.10	15
200058	2.33	21	200089	2.30	18
200059	2.33	11	200089	2.19	18
200076	2.30	1	200089	2.10	18
200076	2.19	1	200090	2.19	19
200076	2.10	1	200090	2.30	19

PARTS ORDERING INSTRUCTIONS

HOW TO ORDER

When you order, supply the part number, quantity, model and serial numbers of your machine. Supplying this information will assure prompt, efficient handling of your order. The pictorial reference number is not needed and including it can only add confusion.

Since your dealer carries many parts in stock and maintains up-to-date prices on all parts, he will be able to process your order immediately. If, for some reason, the part is not in stock, he will order it from the factory. In either event, he maintains a current file of service manuals, which give all available parts ordering or technical information.

All prices are FOB factory in Muscatine, Iowa. Shipping charges are added to the price of the part shipping from the factory.

WHERE TO ORDER

Always order parts from the dealer who sold you your **BT PRIME-MOVER**. If it is necessary for the dealer to order parts from the factory, he is able to get prompt service for you. Parts are shipped in accordance with shipping instructions given on the order.

INSTRUCTIONS FOR RETURNING PARTS

Under **NO CIRCUMSTANCES** will parts be accepted at the factory for credit without prior approval. **THE BT PRIME-MOVER Co.** cannot accept responsibility for parts returned without authorization.

If you have some parts which must be returned, contact your dealer. If he believes parts should be returned, he will arrange for authorization to return the parts.

FIELD MODIFICATIONS

The regulations imposed by OSHA make it mandatory that alteration of industrial trucks be done only as approved in advance and in writing by the manufacturer. Their regulations apply to counter-weighting, changes in masts when such changes affect capacity and any other safety modifications. It is mandatory that nameplate and instructions be changed accordingly (1910.178 (a)(4)).

BT PRIME-MOVER will approve such changes requested as we can properly evaluate and rerate as to capacity. Normally a change will be evaluated upon receipt of a written request with full particulars, including truck and mast serial number, proposed changes, new heights of lift, etc.

If the change is approved, authorization will be sent, as will new nameplates or other labeling where appropriate. The new nameplates should be installed over the earlier nameplate.

The modifier should send confirmation of the change to the factory along with pictures of the revised truck.

FIGURE # 1.2 HANDLE ASSEMBLY

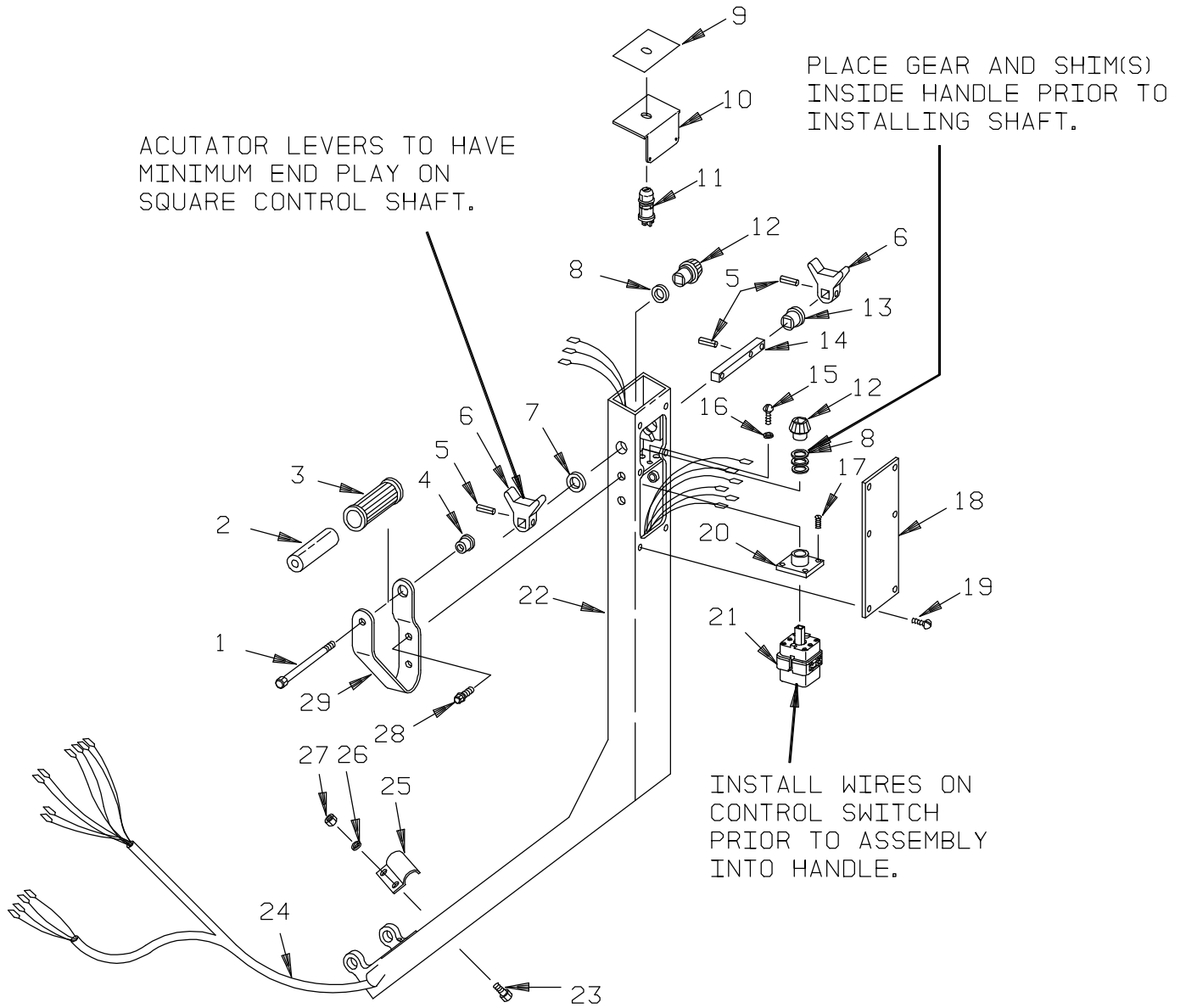


FIGURE 2.3 RESISTOR ELECTRICAL SCHEMATIC

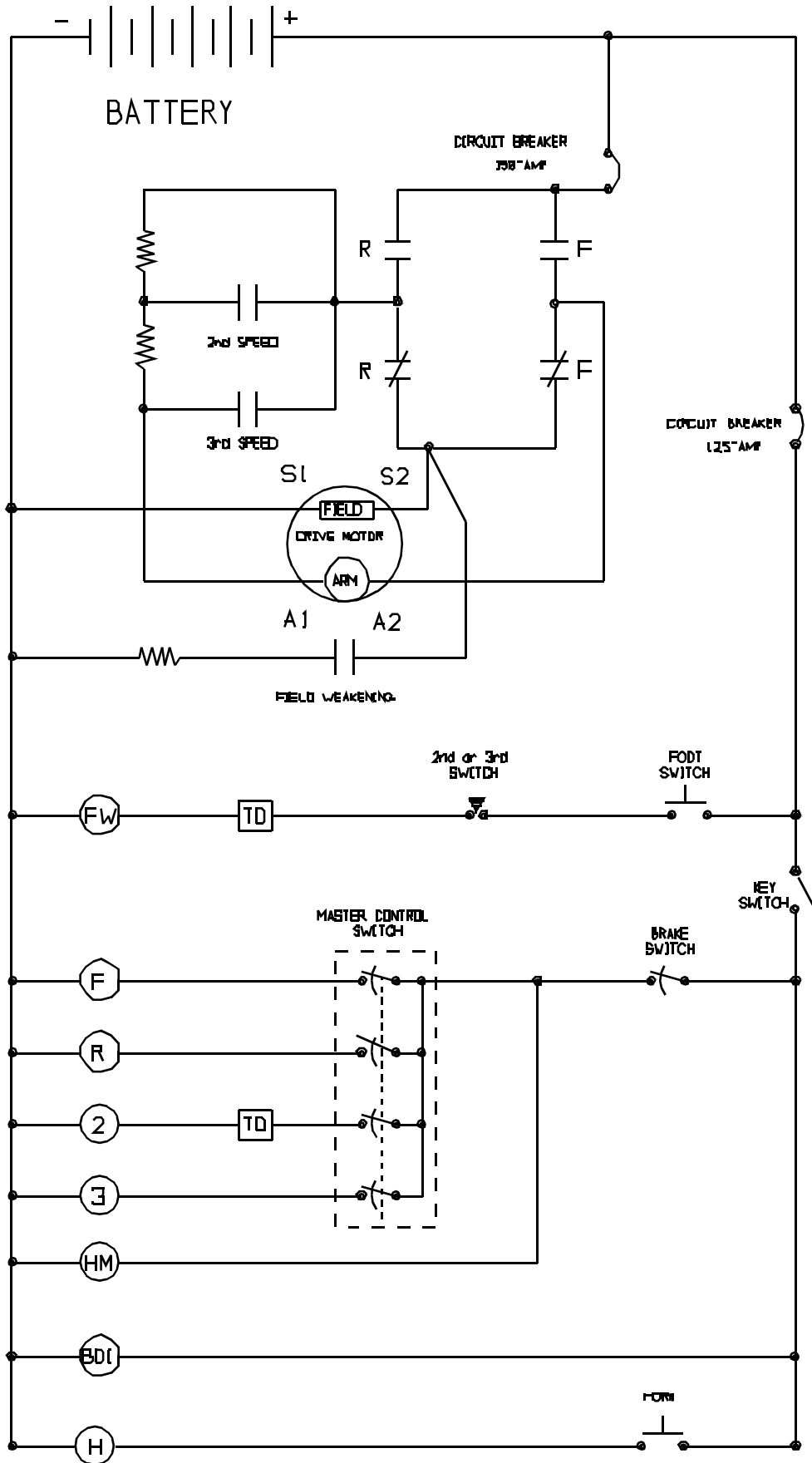


FIGURE # 2.9 FORWARD & REARWARD CONTACTOR ASSEMBLY

(24 VOLT, 27692-00)

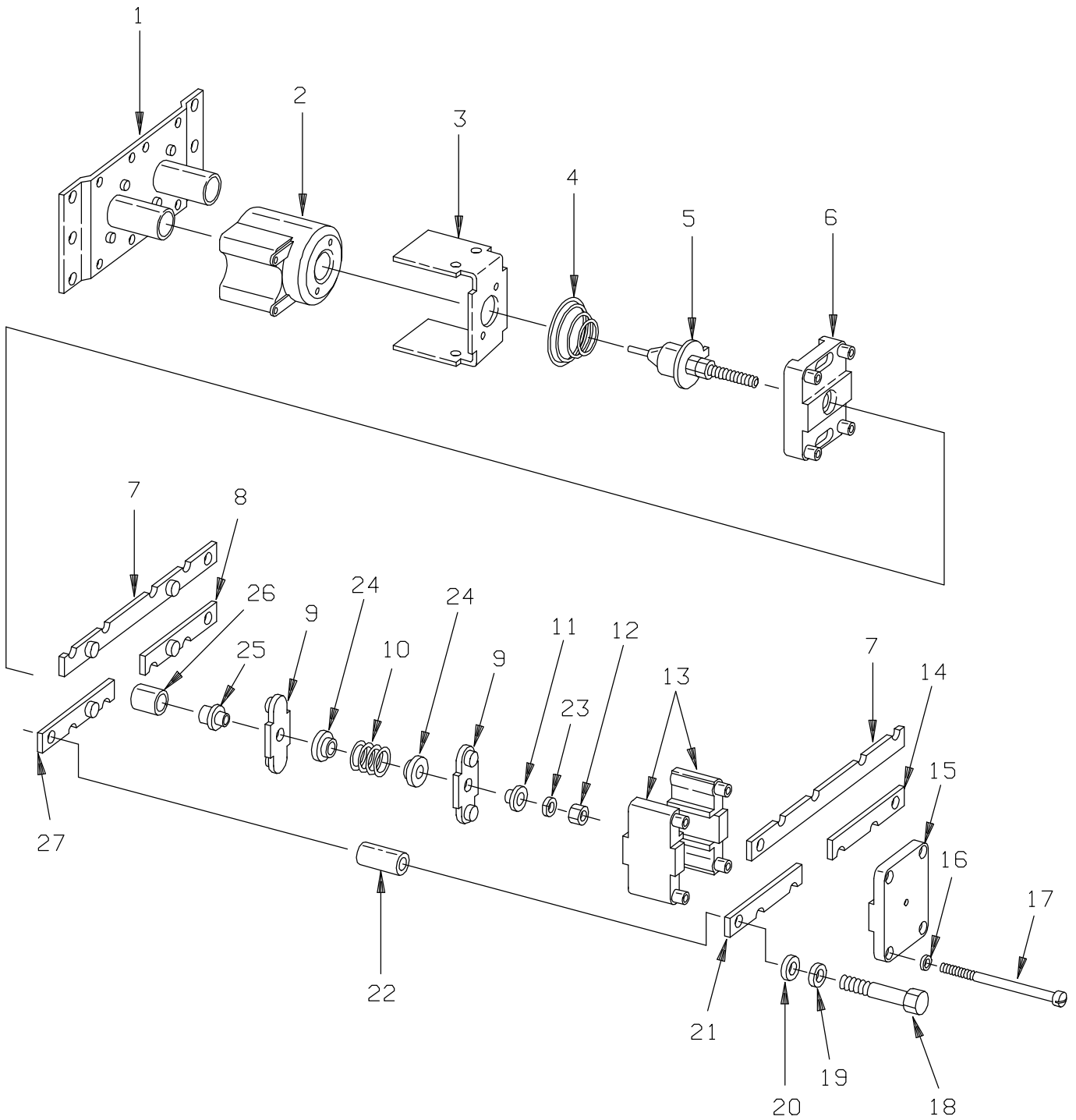


FIGURE # 2.14 CONTACTOR ASSEMBLY (24 VOLT, 27158-01)

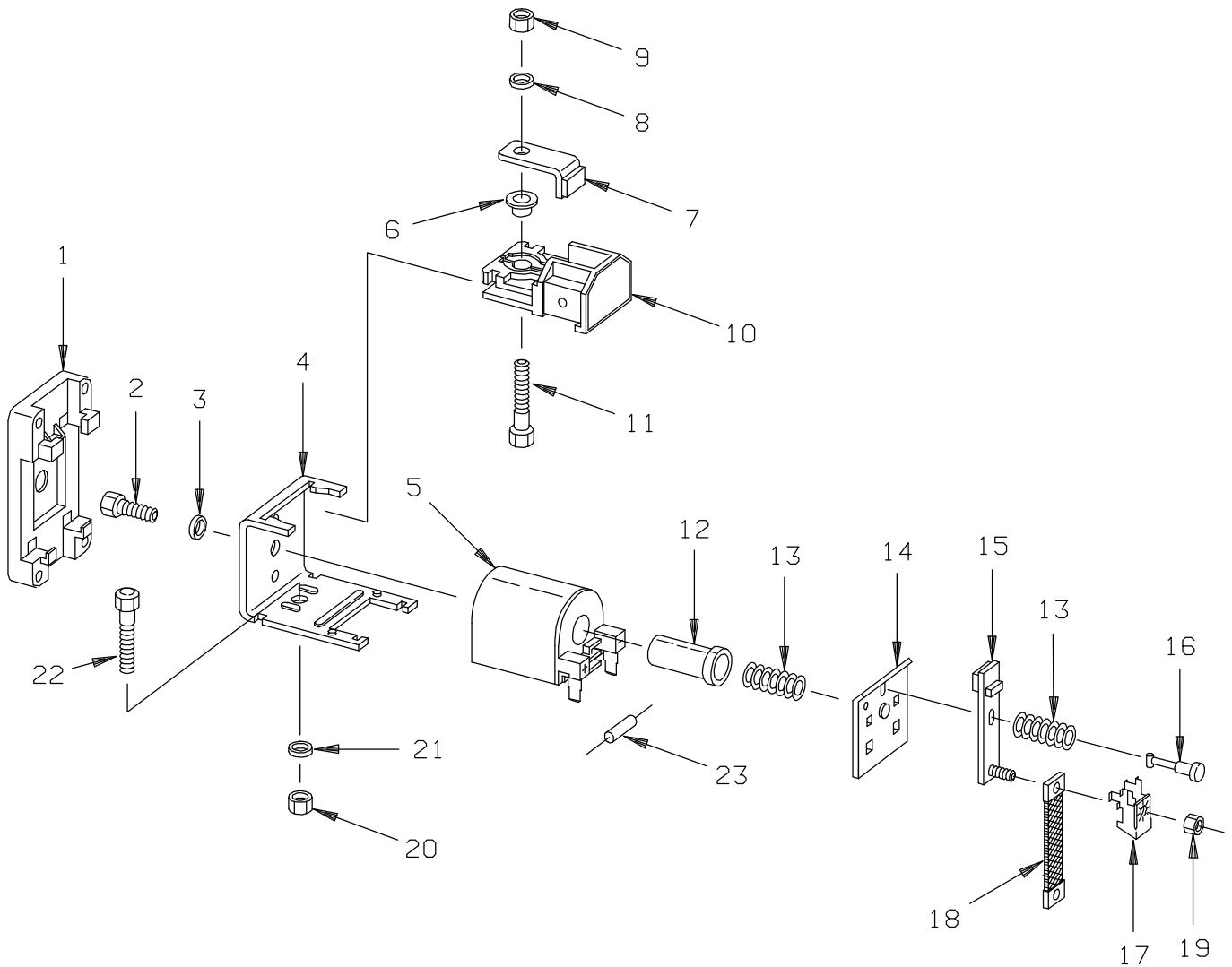


FIGURE # 2.20 CONTACTOR ASSEMBLY (27693-02)

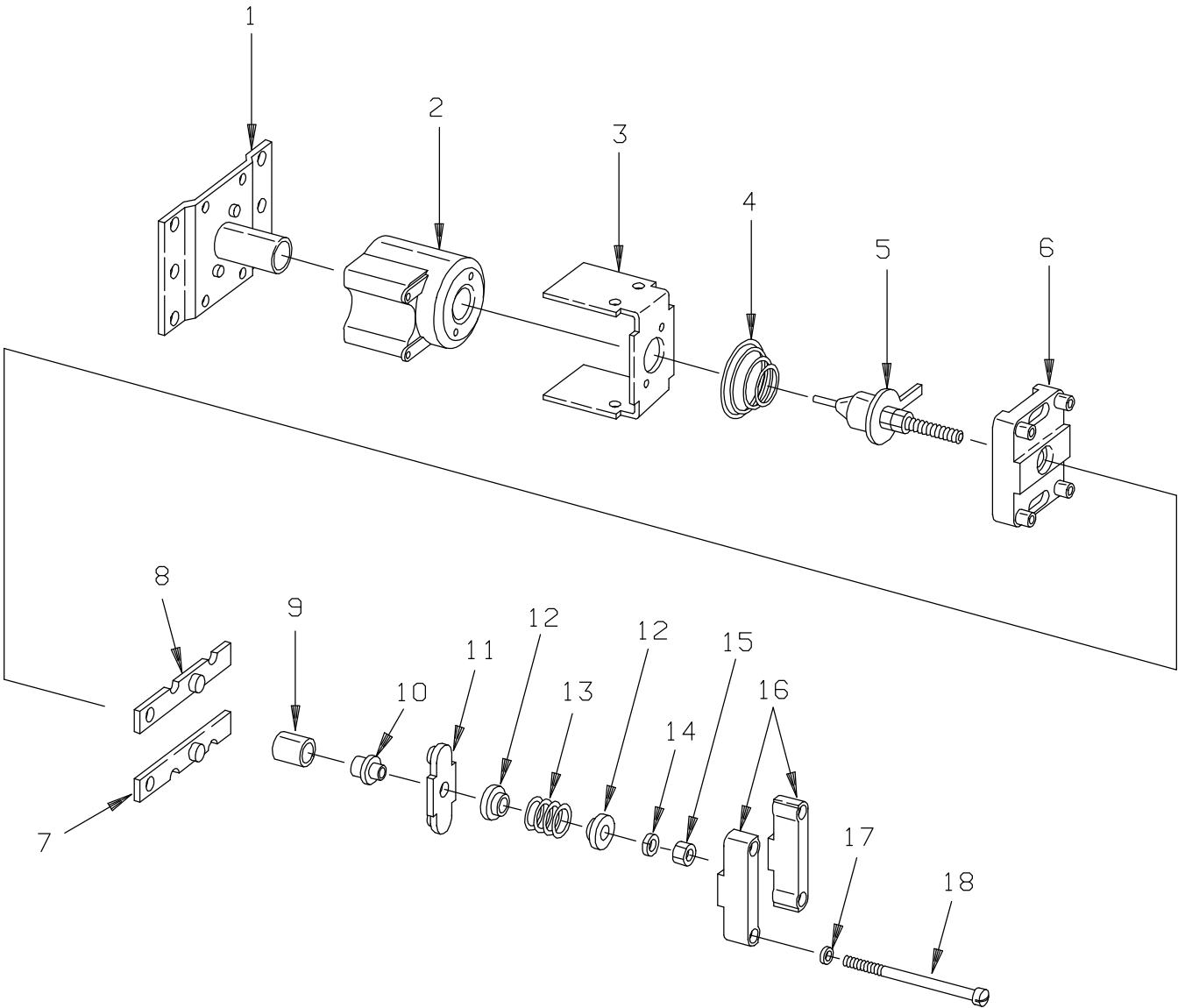
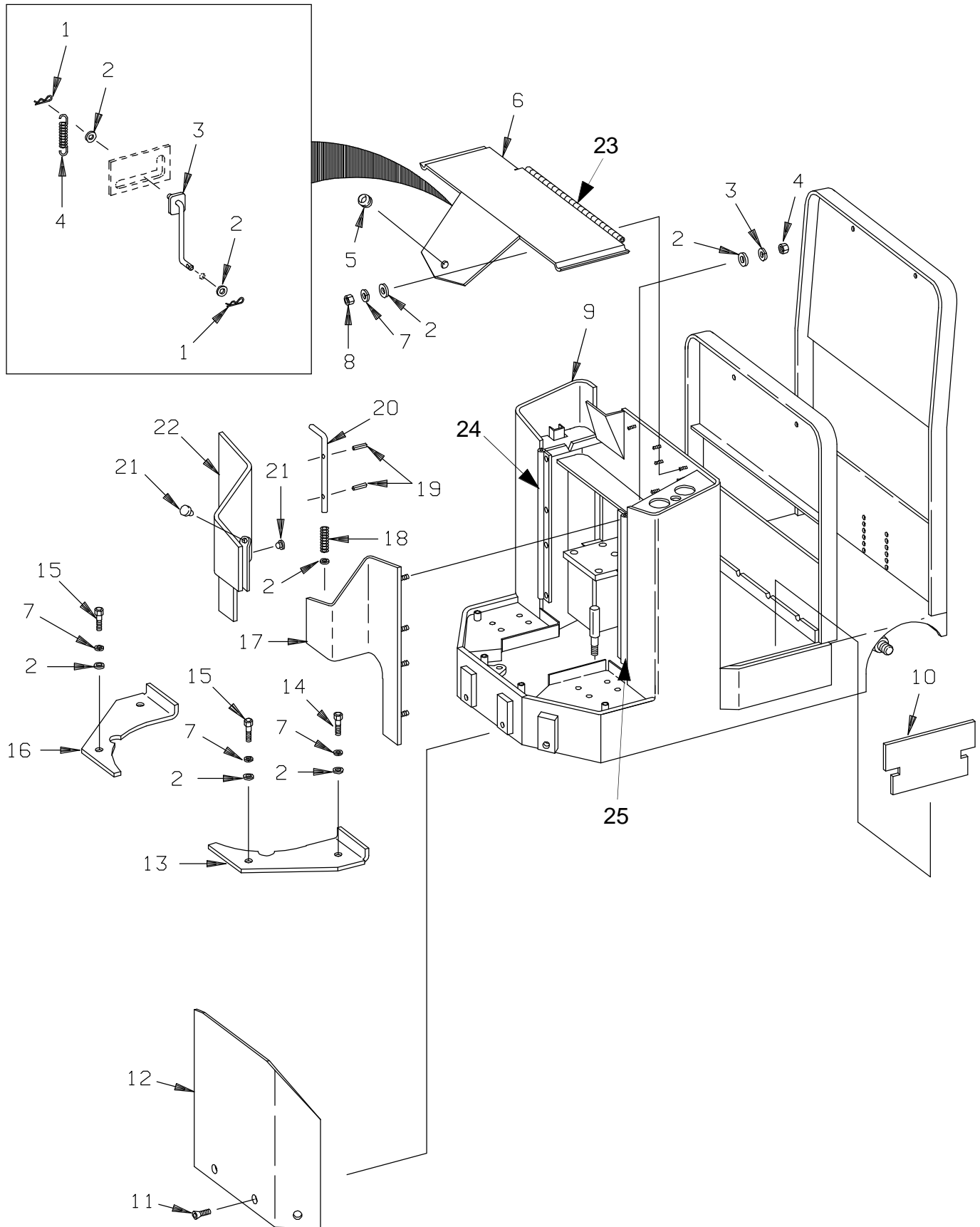


FIGURE # 4.2 SHIELDING INSTALLATION



CLICK HERE TO **DOWNLOAD** THE COMPLETE MANUAL

- Thank you very much for reading the preview of the manual.
- You can download the complete manual from: www.heydownloads.com by clicking the link below



- Please note: If there is no response to CLICKING the link, please download this PDF first and then click on it.

CLICK HERE TO **DOWNLOAD** THE COMPLETE MANUAL