



BT Prime-Mover

# RS50BTH

## ● Parts Manuals

301659-000 1992\_March



CLICK HERE TO **DOWNLOAD** THE COMPLETE MANUAL

- Thank you very much for reading the preview of the manual.
- You can download the complete manual from: [www.heydownloads.com](http://www.heydownloads.com) by clicking the link below

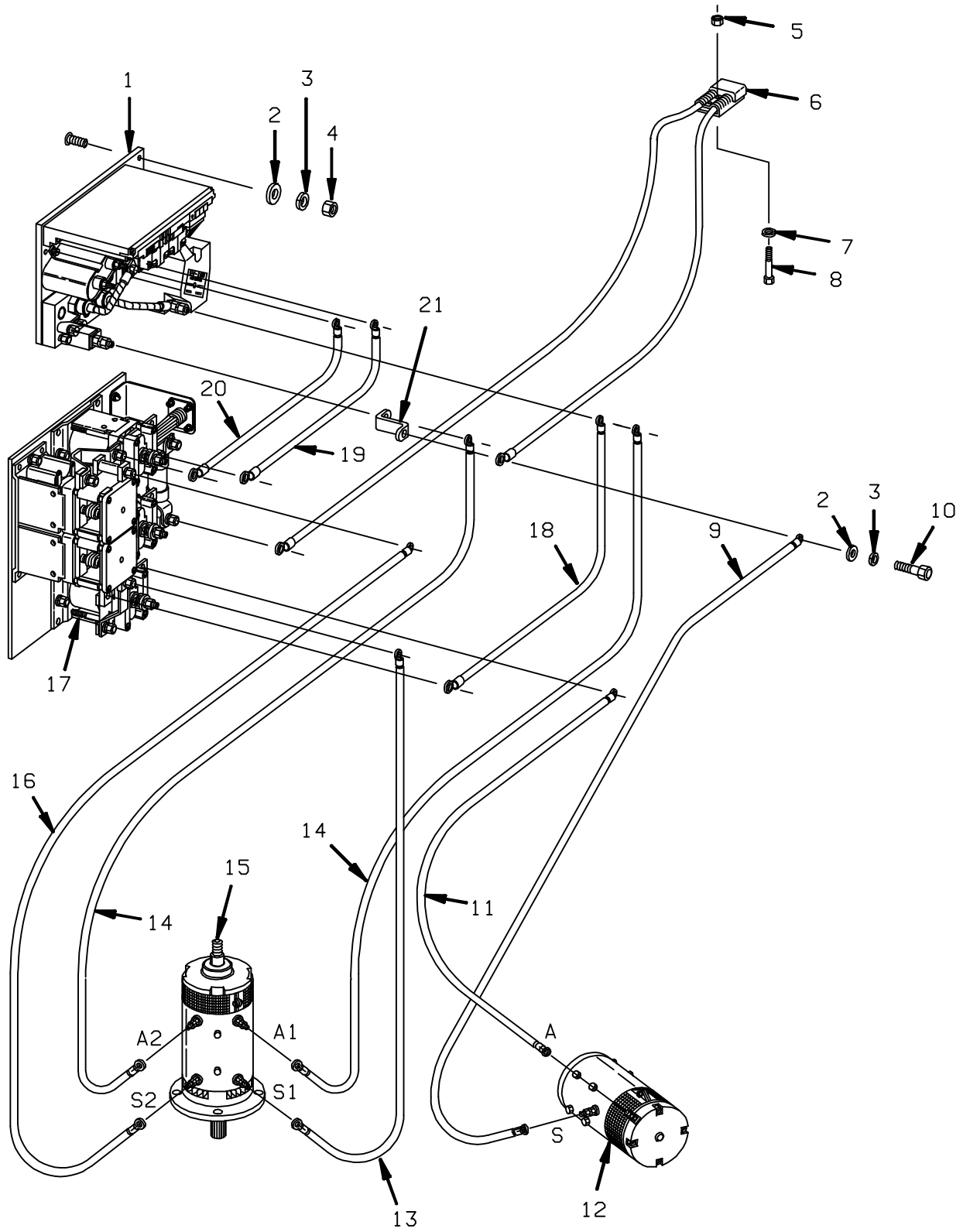


- Please note: If there is no response to CLICKING the link, please download this PDF first and then click on it.

CLICK HERE TO **DOWNLOAD** THE COMPLETE MANUAL

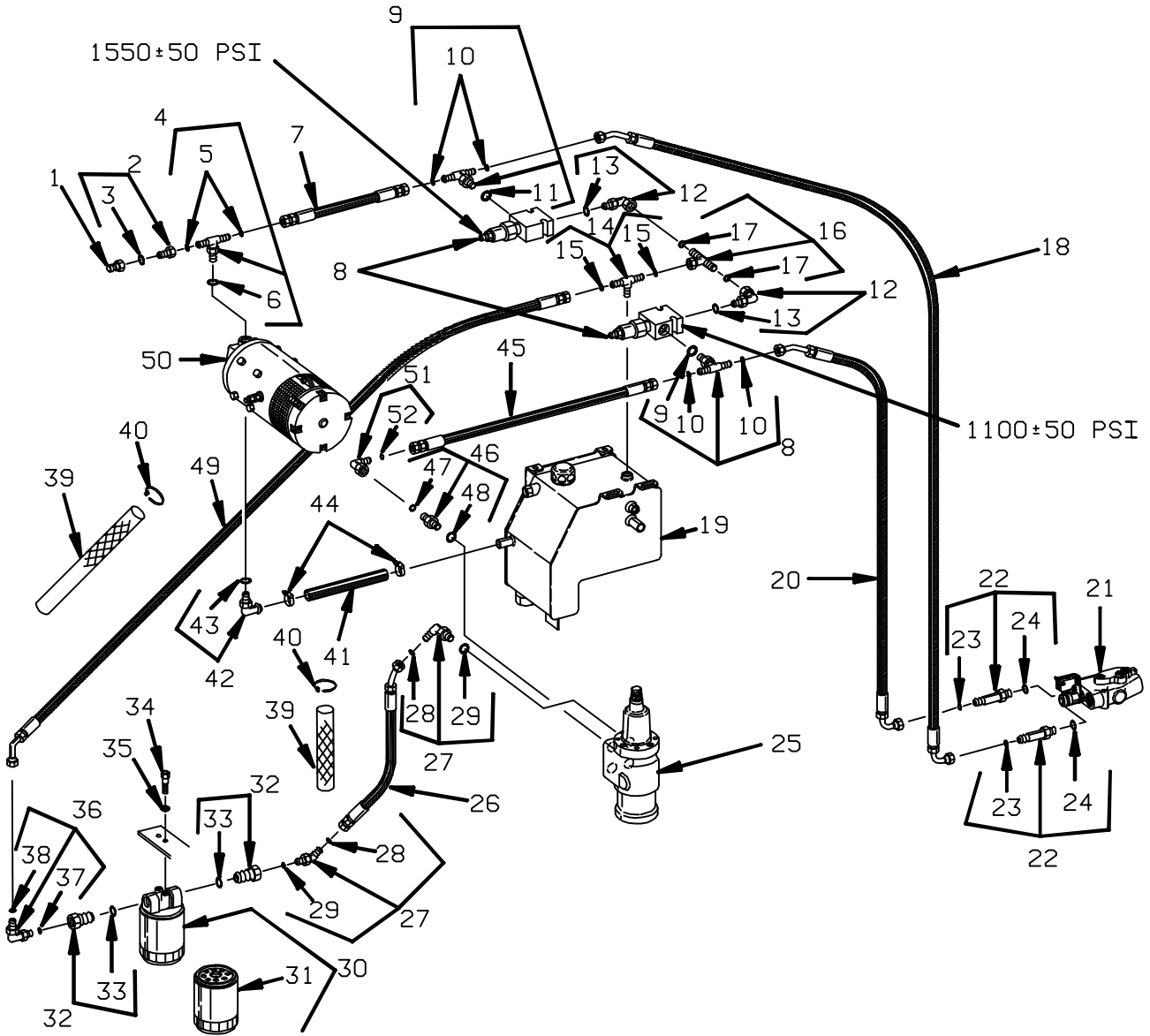
| FIG # | ITEM # | PART #   | NAME  | # FOR ASSY. | UNIT |
|-------|--------|----------|---|-------------|------|
| 1.1   | 1      | 14994-08 | Screw, cap                                  | 4           |      |
| 1.1   | 2      | 40425-00 | Shim, .005                                  | As Req'd.   |      |
| 1.1   | 3      | 14994-06 | Screw, cap                                  | 4           |      |
| 1.1   | 4      | -----    | Drive motor assembly (See Fig.# 1.2)        | 1           |      |
| 1.1   | 5      | -----    | Idler wheel installation (See Fig.# 4.6)    | 1           |      |
| 1.1   | 6      | 11160-09 | Fitting, grease                             | 5           |      |
| 1.1   | 7      | 11898-01 | Ring, retainer                              | 4           |      |
| 1.1   | 8      | 40103-01 | Bearing                                     | 4           |      |
| 1.1   | 9      | 11827-16 | Ring, retainer                              | 4           |      |
| 1.1   | 10     | 49929-08 | Bearing                                     | 1           |      |
| 1.1   | 11     | 40203-00 | Rod, Tie                                    | 1           |      |
| 1.1   | 12     | 11782-04 | Bearing, thrust                             | 9           |      |
| 1.1   | 13     | 41544-00 | Cylinder, steering (See Fig.# 3.10)         | 1           |      |
| 1.1   | 14     | 11160-11 | Fitting, grease                             | 4           |      |
| 1.1   | 15     | 14908-10 | Nut   | 2           |      |
| 1.1   | 16     | 11016-05 | Washer, flat                                | 2           |      |
| 1.1   | 17     | 40263-00 | Pin   | 1           |      |
| 1.1   | 18     | 11016-06 | Washer, flat                                | 1           |      |
| 1.1   | 19     | 40177-00 | End, rod                                    | 1           |      |
| 1.1   | 20     | 11782-02 | Bearing, thrust                             | 1           |      |
| 1.1   | 21     | 11869-06 | Pin, cotter                                 | 1           |      |
| 1.1   | 22     | 49929-07 | Bearing                                     | 2           |      |
| 1.1   | 23     | 40187-00 | Arm   | 1           |      |
| 1.1   | 24     | 40216-00 | Arm   | 1           |      |
| 1.1   | 25     | 40178-00 | Pin   | 2           |      |
| 1.1   | 26     | 11143-03 | Screw, cap                                  | 2           |      |
| 1.1   | 27     | 49923-02 | Ring, retainer                              | 2           |      |
| 1.1   | 28     | 49929-06 | Bearing                                     | 2           |      |
| 1.1   | 29     | 40182-00 | Arm   | 1           |      |
| 1.1   | 30     | 40181-00 | Pin   | 1           |      |
| 1.1   | 31     | 40011-00 | Transmission assembly (See Fig.# 1.3 & 1.4) | 1           |      |
| 1.1   | 32     | 40188-00 | Arm   | 1           |      |

FIGURE # 2.4 EV-100LX POWER COMPONENT WIRING



| FIG # | ITEM # | PART # | NAME                      | # FOR ASSY. | UNIT |
|-------|--------|--------|---------------------------|-------------|------|
| 2.9   | 1      | 201962 | Base, magnet              | 1           |      |
| 2.9   | 2      | 200077 | Coil, field               | 1           |      |
| 2.9   | 3      | 201963 | Frame, magnet             | 1           |      |
| 2.9   | 4      | 201262 | Spring (RED)              | 1           |      |
| 2.9   | 5      | 201964 | Armature                  | 1           |      |
| 2.9   | 6      | 200081 | Base, buss                | 1           |      |
| 2.9   | 7      | 201965 | Tip, contact              | 2           |      |
| 2.9   | 8      | 200096 | Bushing                   | 1           |      |
| 2.9   | 9      | 200095 | Carrier                   | 1           |      |
| 2.9   | 10     | 201966 | Tip, movable              | 1           |      |
| 2.9   | 11     | 201259 | Cap                       | 1           |      |
| 2.9   | 12     | 201266 | Spring (GOLD)             | 1           |      |
| 2.9   | 13     | 201367 | Washer, flat              | 1           |      |
| 2.9   | 14     | 201215 | Nut, lock                 | 1           |      |
| 2.9   | 15     | 201967 | Clamp                     | 2           |      |
| 2.9   | 16     | 201368 | Lockwasher                | 4           |      |
| 2.9   | 17     | 201372 | Screw, machine            | 4           |      |
| 2.9   | 18     | 202004 | Suppression, 1A contactor | 1           |      |
| 2.9   | 19     | 200094 | Seat                      | 1           |      |

FIGURE # 3.3 AUXILIARY PUMP AND RESERVOIR ASSEMBLY



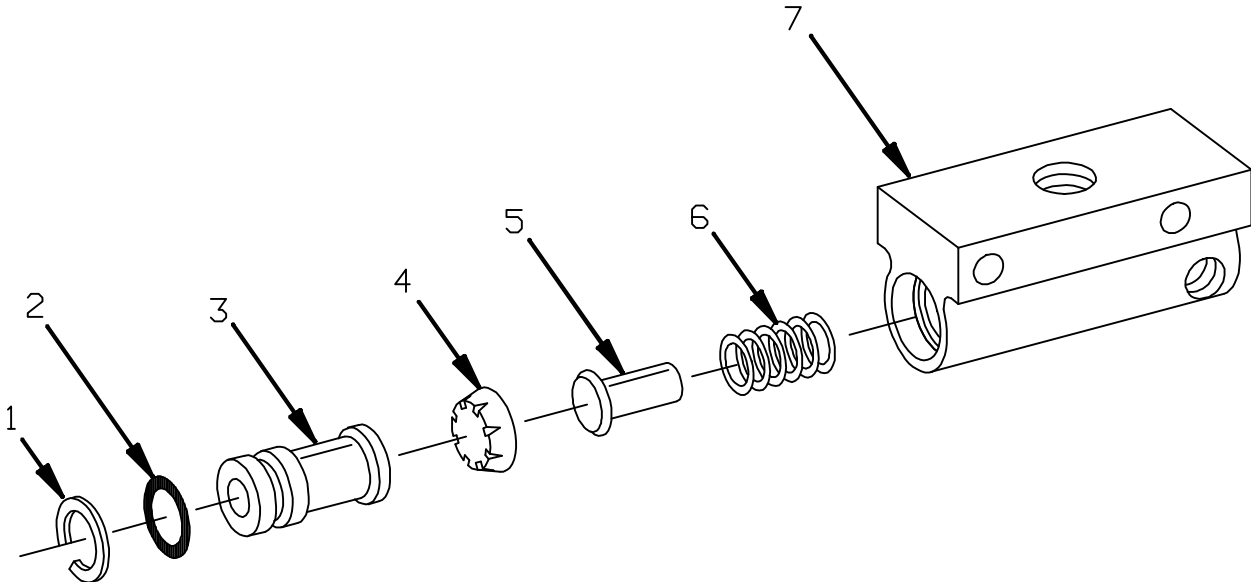
| FIG # | ITEM # | PART # | NAME                 | # FOR ASSY. | UNIT |
|-------|--------|--------|----------------------|-------------|------|
| 3.8   | 1      | 200568 | Screw, cap 12 pt.    | 4           |      |
| 3.8   | 2      | 202079 | Ring, retainer       | 1           |      |
| 3.8   | 3      | 200549 | Ring, retainer       | 1           |      |
| 3.8   | 4      | 200571 | Bearing              | 1           |      |
| 3.8   | 5      | 200601 | Shaft, control       | 1           |      |
| 3.8   | 6      | 202080 | Column, steering     | 1           |      |
| 3.8   | 7      | 200604 | Spring               | 1           |      |
| 3.8   | 8K     | NSS    | Seal, quad ring      | 1           |      |
| 3.8   | 9K     | NSS    | Seal                 | 1           |      |
| 3.8   | 10     | 200592 | Kit, needle bearing  | 1           |      |
| 3.8   | 11     | 202081 | Bearing              | 1           |      |
| 3.8   | 12     | 202082 | Race, bearing        | 2           |      |
| 3.8   | 13     | 202083 | Bearing              | 1           |      |
| 3.8   | 14K    | NSS    | Seal                 | 1           |      |
| 3.8   | 15     | 200602 | Seal, check ball     | 1           |      |
| 3.8   | 16     | NSS    | Seal                 | 1           |      |
| 3.8   | 17     | 202084 | Ball, check          | 1           |      |
| 3.8   | 18     | 202085 | Retainer, check ball | 1           |      |
| 3.8   | 19     | 200603 | Control parts        | 1           |      |
| 3.8   | 20     | NA     | Housing              | 1           |      |
| 3.8   | 21     | 201980 | Pin, control         | 1           |      |
| 3.8   | 22     | 201979 | Spring, control      | 6           |      |
| 3.8   | 23     | NA     | Sleeve, control      | 1           |      |
| 3.8   | 24     | NA     | Spool, control       | 1           |      |
| 3.8   | 25     | 200600 | Plate, spacer        | 1           |      |
| 3.8   | 26K    | NSS    | Seal                 | 3           |      |
| 3.8   | 27     | 202086 | Drive                | 1           |      |
| 3.8   | 28     | 202087 | Gerotor set          | 1           |      |
| 3.8   | 29     | 200605 | Cap, end             | 1           |      |
| 3.8   | 30     | 202088 | Screw, cap           | 7           |      |
| 3.8   | K      | 200594 | Kit, seal            | 1           |      |

(CONTAINS ITEMS MARKED WITH "K")

**NSS - Not Sold Separately**

**NA - Not Available**

FIGURE # 3.14 BRAKE MASTER CYLINDER (41336-00)



| FIG # | ITEM # | PART #      | NAME                              | # FOR ASSY. | UNIT |
|-------|--------|-------------|-----------------------------------|-------------|------|
| 4.3   | 1      | 40416-00    | Handle assembly                   | 1           |      |
| 4.3   | 2      | 40482-01    | Grip, hand                        | 1           |      |
| 4.3   | 3      | 14939-00    | Switch, horn                      | 1           |      |
| 4.3   | 4      | 49887-01    | Tubing, heat shrink               | As Req'd.   |      |
| 4.3   | 5      | 40402-00    | Shaft                             | 1           |      |
| 4.3   | 6      | 11823-39    | Fitting, wire                     | 1           |      |
| 4.3   | 7      | 52-07901-01 | Wire, 16 Ga. black                | As Req'd.   |      |
| 4.3   | 8      | 11823-10    | Fitting, wire                     | 1           |      |
| 4.3   | 9      | 49922-01    | Screw, machine                    | 3           |      |
| 4.3   | 10     | NA          | Rivet, pop (1/8"x1/4")            | As Req'd.   |      |
| 4.3   | 11     | 40676-00    | Brush                             | 2           |      |
| 4.3   | 12     | 20151-00    | Switch, key                       | 1           |      |
| 4.3   | 13     | 40238-00    | Cover, instrument                 | 1           |      |
| 4.3   | 14     | 11695-06    | Bushing                           | 2           |      |
| 4.3   | 15     | 11025-02    | Ring, retainer                    | 1           |      |
| 4.3   | 16     | 11018-08    | Key                               | 1           |      |
| 4.3   | 17     | 14993-30    | Washer                            | 1           |      |
| 4.3   | 18     | 11695-01    | Bushing                           | 2           |      |
| 4.3   | 19     | 49892-10    | Screw, machine                    | 2           |      |
| 4.3   | 20     | 49991-00    | Grommet, rubber                   | 2           |      |
| 4.3   | 21     | 11170-05    | Nut                               | 2           |      |
| 4.3   | 22     | 41331-00    | Valve, Aux. control (See Fig.3.4) | 1           |      |
| 4.3   | 23     | 49717-01    | Nut                               | 4           |      |
| 4.3   | 24     | 41324-00    | Spacer                            | 2           |      |
| 4.3   | 25     | 11261-06    | Nut                               | 2           |      |
| 4.3   | 26     | 11016-03    | Washer                            | 4           |      |
| 4.3   | 27     | 11018-11    | Key                               | 1           |      |
| 4.3   | 28     | 11695-05    | Bushing                           | 2           |      |
| 4.3   | 29     | 41309-00    | Rod                               | 1           |      |
| 4.3   | 30     | 49612-06    | Screw, cap                        | 2           |      |
| 4.3   | 31     | 41297-00    | Block                             | 1           |      |
| 4.3   | 32     | 14993-20    | Washer                            | 2           |      |
| 4.3   | 33     | 41313-00    | Arm                               | 1           |      |
| 4.3   | 34     | 11271-31    | Screw, cap                        | 2           |      |
| 4.3   | 35     | 41312-00    | Block                             | 1           |      |
| 4.3   | 36     | 41306-00    | Arm                               | 1           |      |
| 4.3   | 37     | 49612-05    | Screw, cap                        | 2           |      |
| 4.3   | 38     | 41314-00    | Link                              | 2           |      |
| 4.3   | 39     | 11143-05    | Screw, cap                        | 1           |      |
| 4.3   | 40     | 41301-00    | Handle                            | 1           |      |
| 4.3   | 41     | 11170-06    | Nut                               | 1           |      |
| 4.3   | 42     | 11419-03    | Nut                               | 2           |      |
| 4.3   | 43     | 40694-00    | Arm                               | 1           |      |
| 4.3   | 44     | 11047-13    | Screw, cap                        | 1           |      |
| 4.3   | 45     | 49329-00    | Joint, ball                       | 2           |      |
| 4.3   | 46     | 49591-00    | Rod                               | 1           |      |
| 4.3   | 47     | 11129-03    | Nut                               | 1           |      |
| 4.3   | 48     | 49330-00    | Screw                             | 1           |      |
| 4.3   | 49     | 41796-00    | Lever                             | 1           |      |
| 4.3   | 50     | 14911-03    | Screw, machine                    | 2           |      |
| 4.3   | 51     | 49751-04    | Nut, flanged                      | 2           |      |
| 4.3   | 52     | 41794-00    | Bracket, switch                   | 1           |      |
| 4.3   | 53     | 27303-00    | Switch, master                    | 1           |      |
| 4.3   | 54     | 11016-01    | Washer, flat                      | 2           |      |
| 4.3   | 55     | 11419-03    | Nut                               | 2           |      |
| 4.3   | 56     | 29304-00    | Potentioneter                     | 1           |      |
| 4.3   | 57     | 50023-00    | Screw, flat head                  | 2           |      |



CLICK HERE TO **DOWNLOAD** THE COMPLETE MANUAL

- Thank you very much for reading the preview of the manual.
- You can download the complete manual from: [www.heydownloads.com](http://www.heydownloads.com) by clicking the link below



- Please note: If there is no response to CLICKING the link, please download this PDF first and then click on it.

CLICK HERE TO **DOWNLOAD** THE COMPLETE MANUAL