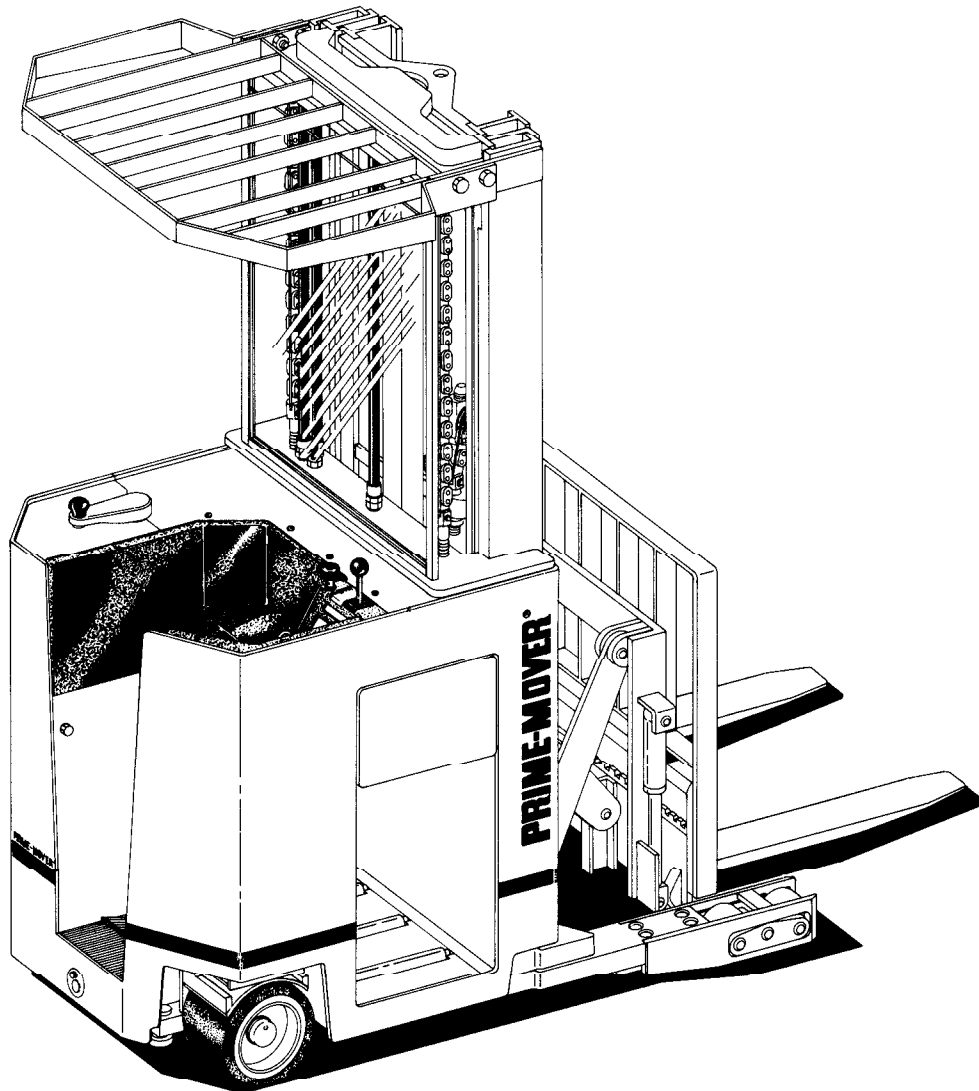


# RR-40 Parts Manual

RR-40 REACH TRUCK

RR-40



**WARNING** Read and observe all warnings on the unit before operating it. Do not operate this equipment unless all factory installed guard and shields are properly secured in place.

Issued November, 1984

**PRIME-MOVER**®

CLICK HERE TO **DOWNLOAD** THE COMPLETE MANUAL

- Thank you very much for reading the preview of the manual.
- You can download the complete manual from: [www.heydownloads.com](http://www.heydownloads.com) by clicking the link below



- Please note: If there is no response to CLICKING the link, please download this PDF first and then click on it.

CLICK HERE TO **DOWNLOAD** THE COMPLETE MANUAL

FIGURE 3 SHIELDING ASSEMBLY

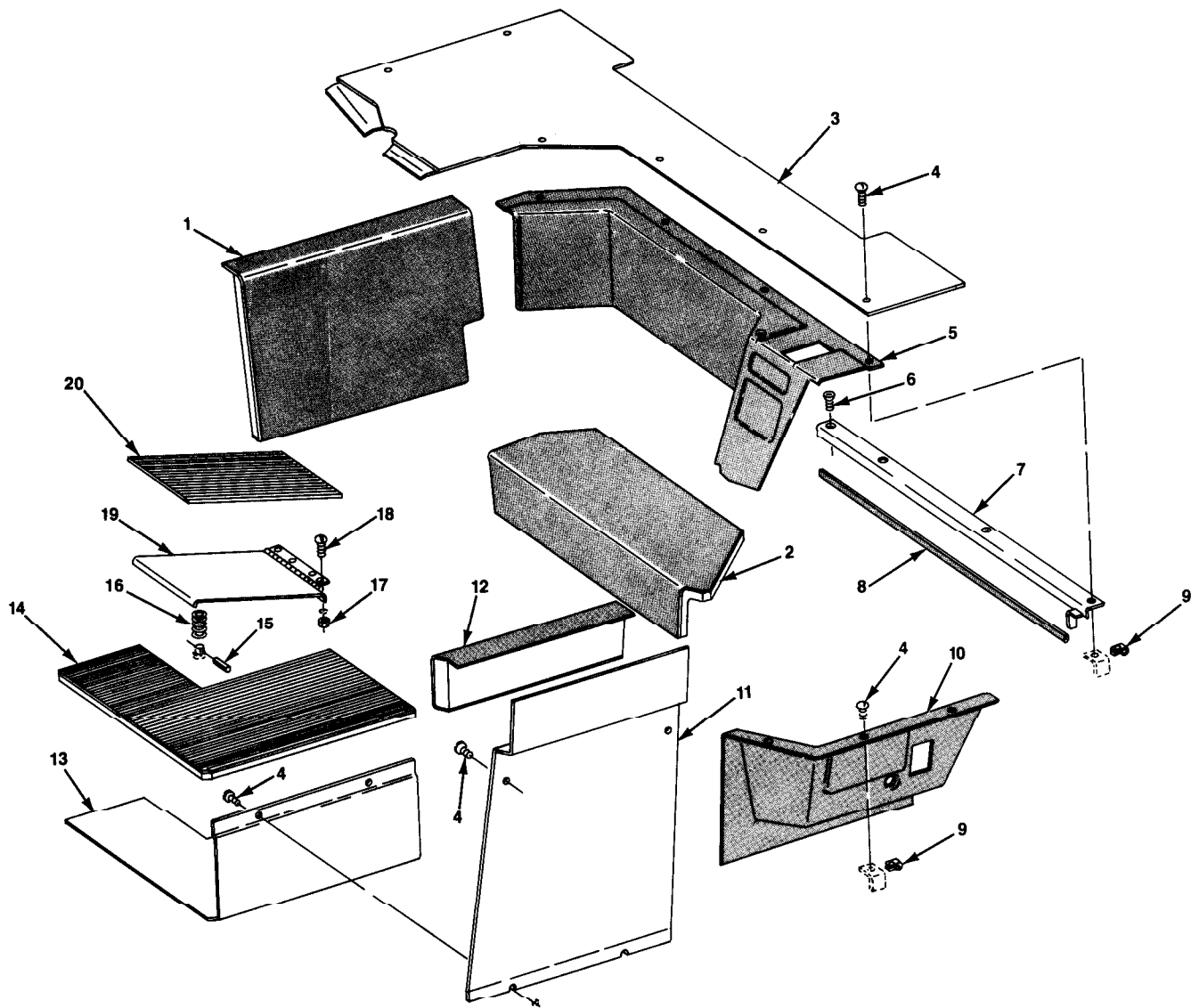


Fig. #	Item #	Part #	Name	# for Assy.	Unit
3	1	C-40421	Pad, side	1	
3	2	D-40418	Pad, seat	1	
3	3	C-40239-01	Cover	1	16½ battery
3	3	C-40239-02	Cover	1	14½ battery
3	4	A-49922-01	Screw, machine	13	
3	5	D-40237	Cover, seat panel	1	
3	6	A-49892-01	Screw, flat head	1	
3	7	B-40264	Angle	1	
3	8	A-27561-03	Edging	1	
3	9	A-14851-02	Nut, clip	As Req'd.	
3	10	D-40238-00	Cover, instrument	1	
3	11	D-40234	Cover, SCR	1	
3	12	C-40420	Pad, side	1	
3	13	D-40236	Plate, floor	1	
3	14	C-40415	Mat, floor	1	
3	15	P-11073-30	Pin, roll	1	
3	16	A-49809	Spring	1	
3	16	C-49906	Spring	1	cold storage
3	17	P-11170-04	Nut	2	
3	18	P-11004-02	Screw, cap	2	
3	19	D-40308	Pedal, brake	1	
3	19	D-40563	Pedal, brake	1	cold storage
3	20	B-40419	Mat, pedal	1	

<b>Fig. #</b>	<b>Item #</b>	<b>Part #</b>	<b>Name</b>	<b># for Assy.</b>
11	1	P-14994-08	Screw, cap	4
11	2	P-14994-06	Screw, cap	4
11	3	A-40425	Shim, .005	As Req'd
11	4		Drive motor assembly (see fig. #12)	1
11	5	P-11016-04	Washer	4
11	6		Transmission frame assembly (see fig. #15)	1
11	7	D-40011	Transmission assembly (see fig. #14)	1
11	8	P-14908-10	Nut	2
11	9	P-11016-05	Washer	2
11	10	B-40181	Pin	1
11	11	B-40182	Arm assembly	1
11	12	A-40103-01	Bearing	4
11	13	P-11827-16	Ring, retaining	4
11	14	P-11898-01	Ring, retaining	4
11	15	P-11160-11	Fitting, grease	2
11	16	P-11143-03	Screw, cap	2
11	17	P-11016-03	Washer	2
11	18	B-40178	Pin	2
11	19	P-11782-04	Bearing, thrust	9
11	20	B-49929-07	Bearing	2
11	21	C-40188	Arm assembly	1
11	22	P-11160-09	Fitting, grease	5
11	23	B-49929-06	Bearing	2
11	24	A-49923-02	Ring, retaining	2
11	25	C-40187	Arm assembly	1
11	26	B-40216	Arm assembly	1
11	27	B-49929-08	Bearing	1
11	28	D-40291	Cylinder, steering (see fig. #50)	1
11	29	P-11869-06	Pin, cotter	1
11	30	P-11782-02	Bearing, thrust	1
11	31	P-11016-06	Washer	1
11	32	B-40263	Pin	1
11	33	B-40177	End, rod	1
11	34	C-40203	Rod, tie	1

FIGURE 17 ELECTRICAL SCHEMATIC SYMBOLS

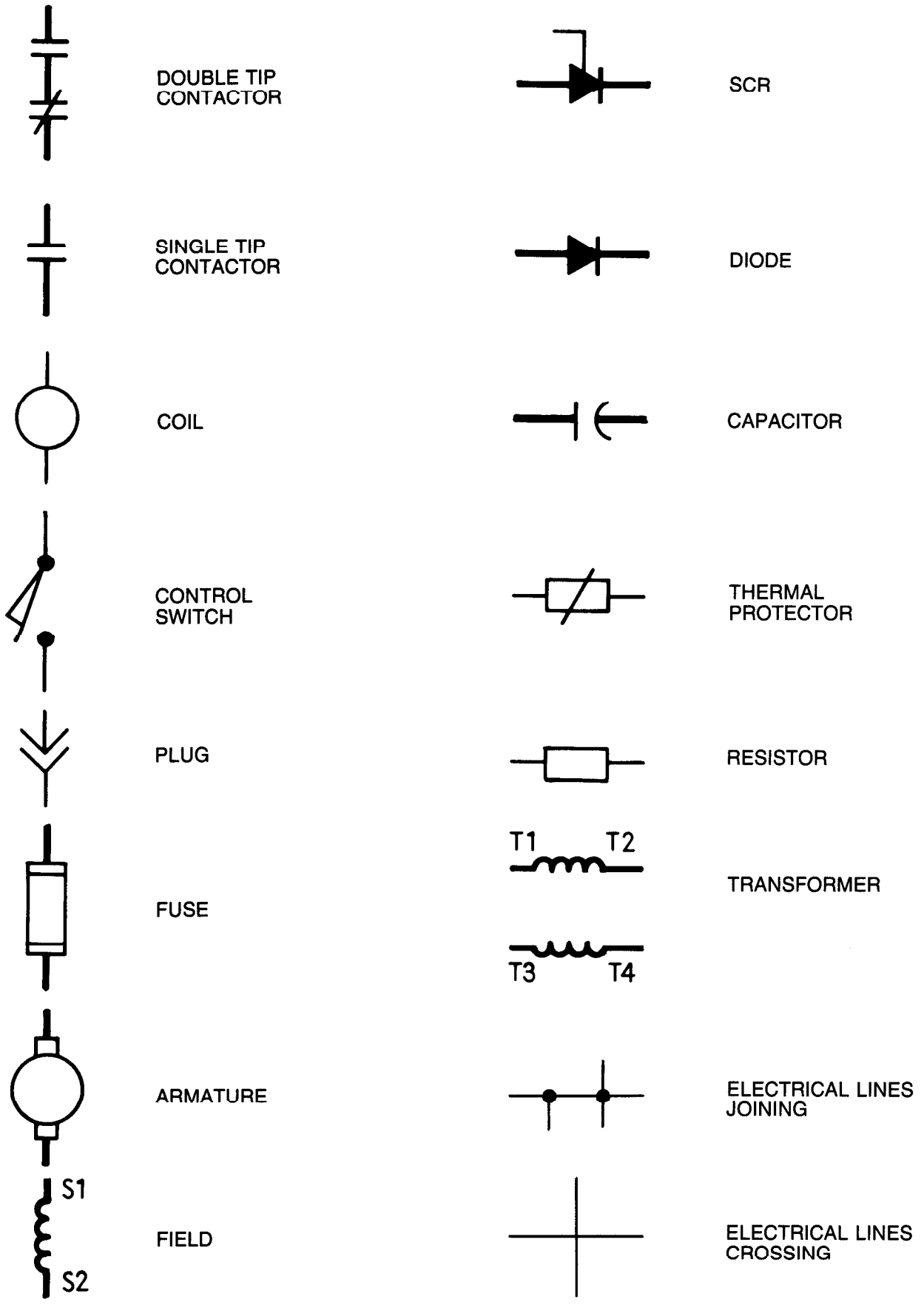


FIGURE 25 POWER COMPONENT ASSEMBLY

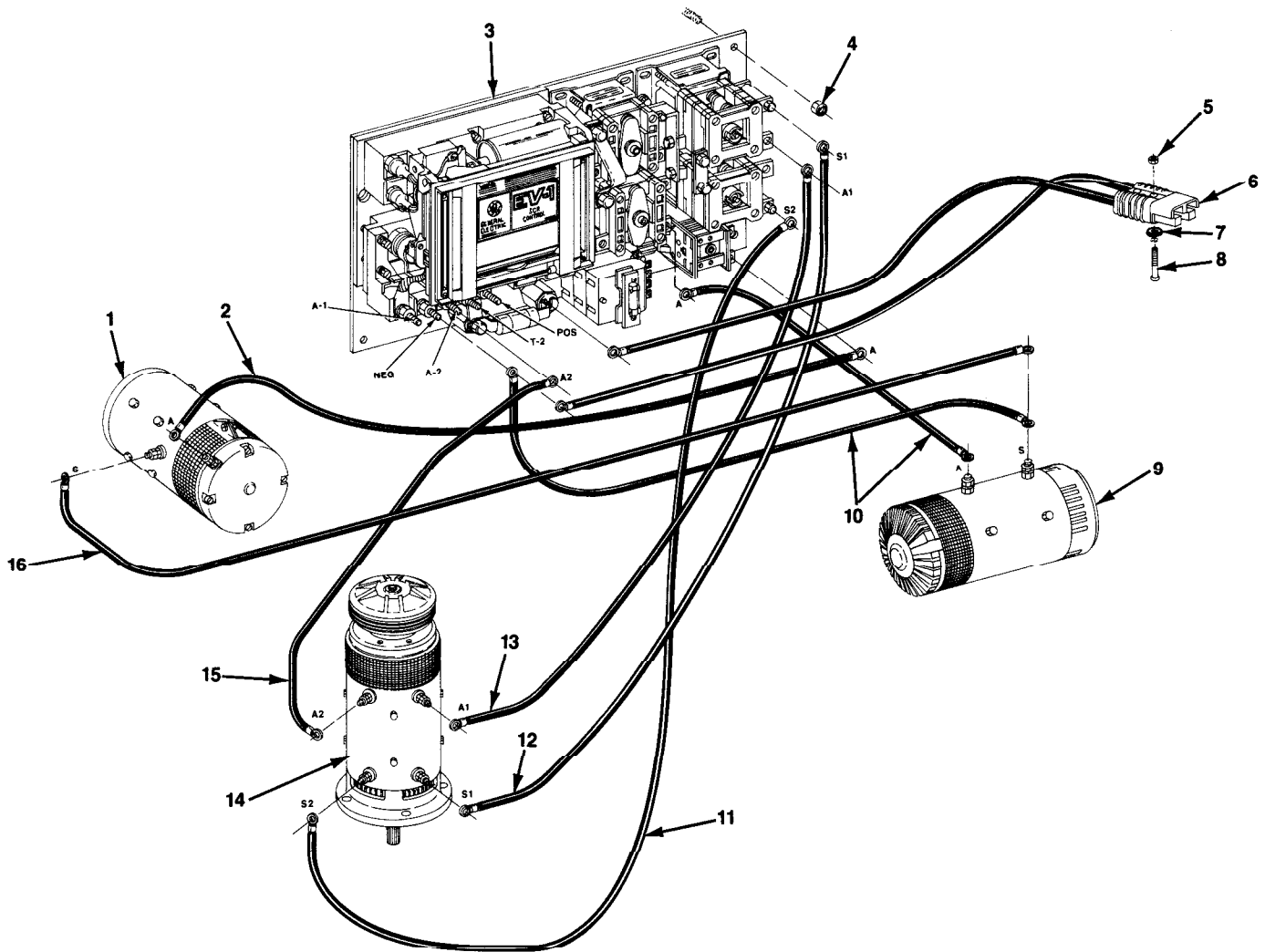
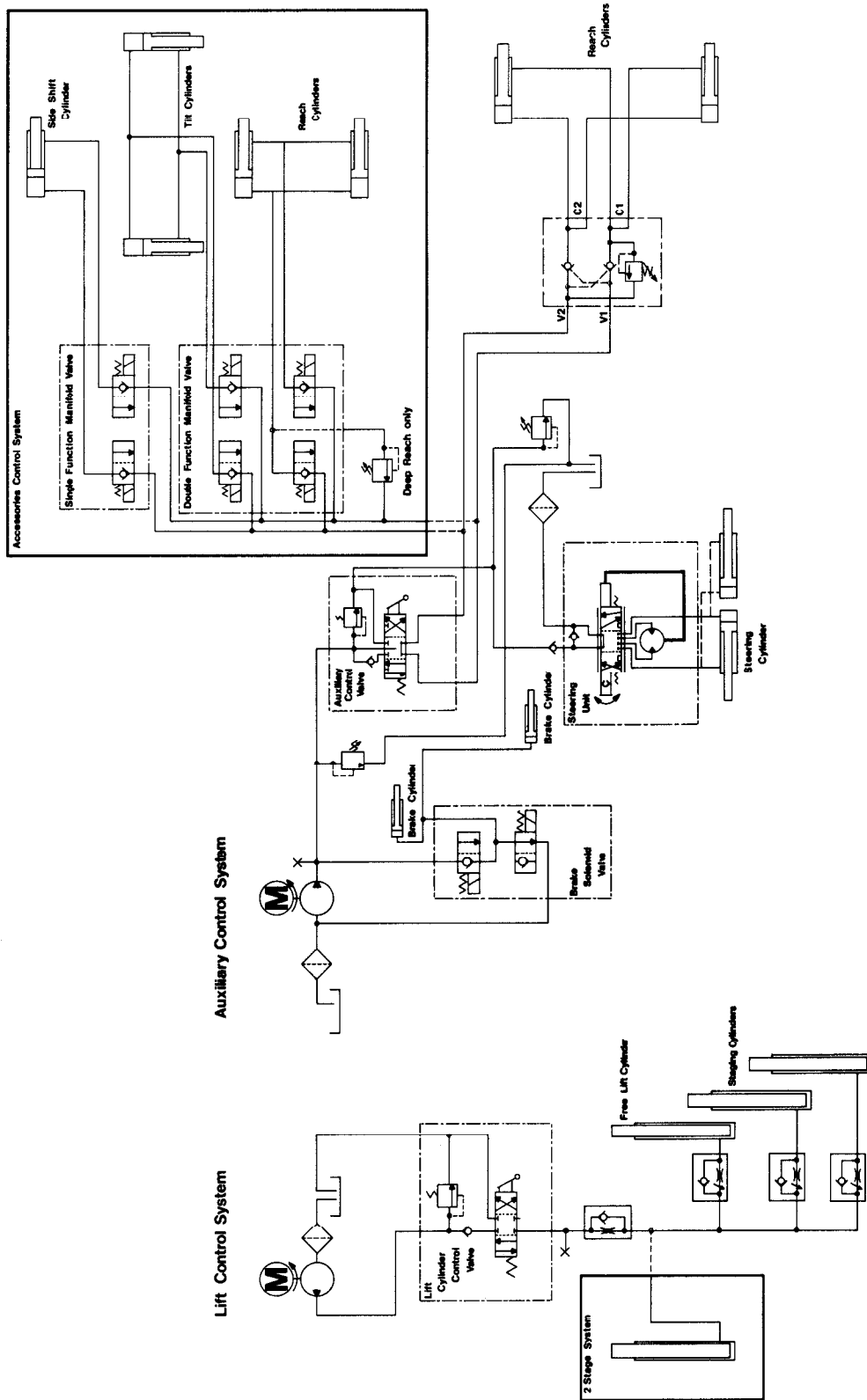


Fig. #	Item #	Part #	Name	# for Assy.	Unit
25	1	D-40504	Motor, auxiliary (see fig. #10)	1	24 volt
25	1	D-40098	Motor, auxiliary (see fig. #10)	1	36 volt
25	2	P-25100-20	Cable	1	
25	3	C-40095-01	SCR and contactor panel assembly (see fig. #26)	1	24 volt
25	3	C-40095-02	SCR and contactor panel assembly (see fig. #26)	1	36 volt
25	4	P-11261-05	Nut	4	
25	5	P-11170-04	Nut	2	
25	6	C-49855-08	Connector assembly	1	
25	7	P-11813-03	Grommet, rubber	2	
25	8	A-49886-09	Screw, cap	2	
25	9	D-40505	Motor, lift (see fig. #44)	1	24 volt
25	9	D-40097	Motor, lift (see fig. #44)	1	36 volt
25	10	P-26312-16	Cable	2	
25	11	P-25100-16	Cable	1	
25	12	P-25100-18	Cable	1	
25	13	P-25100-17	Cable	1	
25	14	D-40506	Motor, drive (see fig. #13)	1	24 volt
25	14	D-40096	Motor, drive (see fig. #13)	1	36 volt
25	15	P-25100-12	Cable	1	
25	16	P-25100-19	Cable	1	

FIGURE 35 HYDRAULIC SCHEMATIC



CLICK HERE TO **DOWNLOAD** THE COMPLETE MANUAL

- Thank you very much for reading the preview of the manual.
- You can download the complete manual from: [www.heydownloads.com](http://www.heydownloads.com) by clicking the link below



- Please note: If there is no response to CLICKING the link, please download this PDF first and then click on it.

CLICK HERE TO **DOWNLOAD** THE COMPLETE MANUAL

Fig. #	Item #	PART #	NAME	# for Assy.	Unit
37	1		Auxiliary pump assembly (see fig. #39 )	1	
37	2	B-30355-27	Hose assembly	1	
37	3	P-14953-02	Tee	2	
37	4	A-40551-01	Valve, check (1700 PSI)	1	
37	5	A-40551-00	Valve, check (900 PSI)	1	
37	6	C-40550-00	Manifold	1	
37	7	B-30355-26	Hose assembly	2	
37	8	P-25108-07	Adapter	2	
37	9	P-12391-06	O ring	1	
37	10	D-40101-00	Valve auxiliary (see fig. # 41)	1	
37	11		Reservoir assembly (see fig. # 42)	1	
37	12	P-25377-05	Elbow, 90°	1	
37	13	P-12391-06	O ring	1	
37	14	B-40916-00	Cylinder, drive motor (see fig. #38)	1	
37	15	B-30355-37	Hose assembly	1	
37	16	B-30355-36	Hose assembly	1	
37	17	P-14920-02	Tee	1	
37	18	P-12391-06	O ring	1	
37	19	B-40914-00	Cylinder, master (see fig. #39)	1	
37	20	B-30355-35	Hose assembly	1	
37	21	P-22012-03	Elbow, 90°	1	
37	22	P-12391-06	O ring	1	
37	23	B-40915-00	Cylinder, idler wheel (see fig. #40)	1	
37	24	P-11045-07	Screw, cap	2	
37	25	P-11016-01	Washer, flat	2	
37	26	B-41154-00	Valve, relief/check	1	
37	27	A-49870-02	Fitting, hose end	1	
37	28	P-11170-04	Nut	2	
37	29	P-11854-03	Screw, cap	1	
37	30	P-11016-02	Washer, flat	1	
37	31	B-41153-00	Bracket	1	
37	32	A-49667-00	Adapter	1	
37	33	P-12391-06	O ring	1	
37	34	P-22013-02	Tee	1	
37	35	P-12391-05	O ring	1	
37	36	B-41155-00	Valve, check	1	
37	37	B-49956-01	Filter assembly	1	
37	38	K-22001	Element, filter	1	
37	39	P-25377-08	Elbow, 90°	1	
37	40	P-12391-05	O ring	1	
37	41	A-49667-06	Adapter	1	
37	42	P-12391-05	O ring	1	
37	43	A-49664-00	Adapter	1	
37	44	52-5068-00	Hose	As Req'd.	
37	45	A-49871-02	Fitting, 90° hose end	1	
37	46	B-30355-17	Hose assembly	1	

FIGURE 43 LIFT VALVE AND PUMP ASSEMBLY

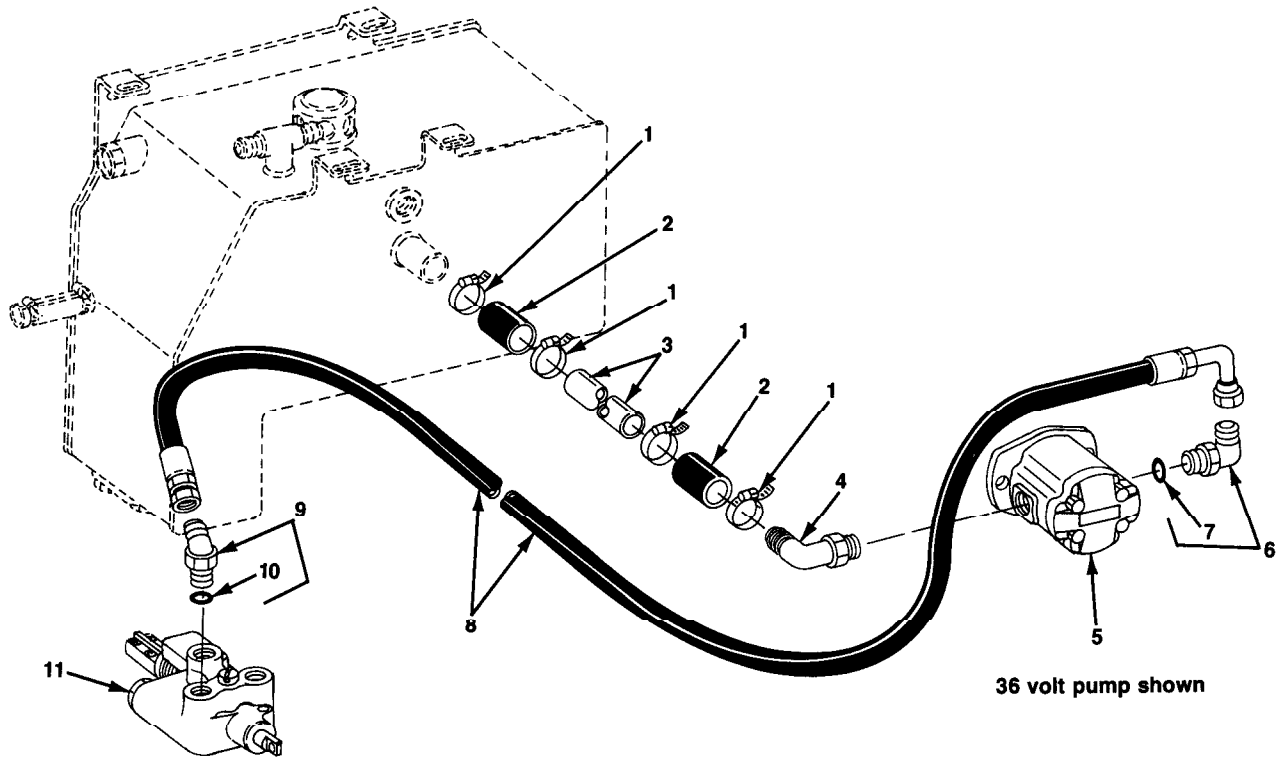


Fig. #	Item #	Part #	Name	# for Assy.	Unit
43	1	B-14859-05	Clamp	4	
43	2	A-14810-03	Hose	2	
43	3	A-40433	Tube	1	
43	4	A-14848-02	Insert, 90°	1	
43	5	D-40503	Pump assembly (see fig. #46)	1	24 volt
43	5	D-40459-07	Pump assembly (see fig. #47)	1	36 volt
43	6	P-25377-09	Elbow, 90° adjustable	1	
43	7	P-12391-08	O ring	1	
43	8	C-30354-40	Hose assembly	1	
43	9	A-14844-06	Elbow, 45°	1	
43	10	P-12391-09	O ring	1	
43	11	D-40100	Valve, lift control (see fig. #48)	1	

FIGURE 51 STEERING CYLINDER ASSEMBLY (D-40291)

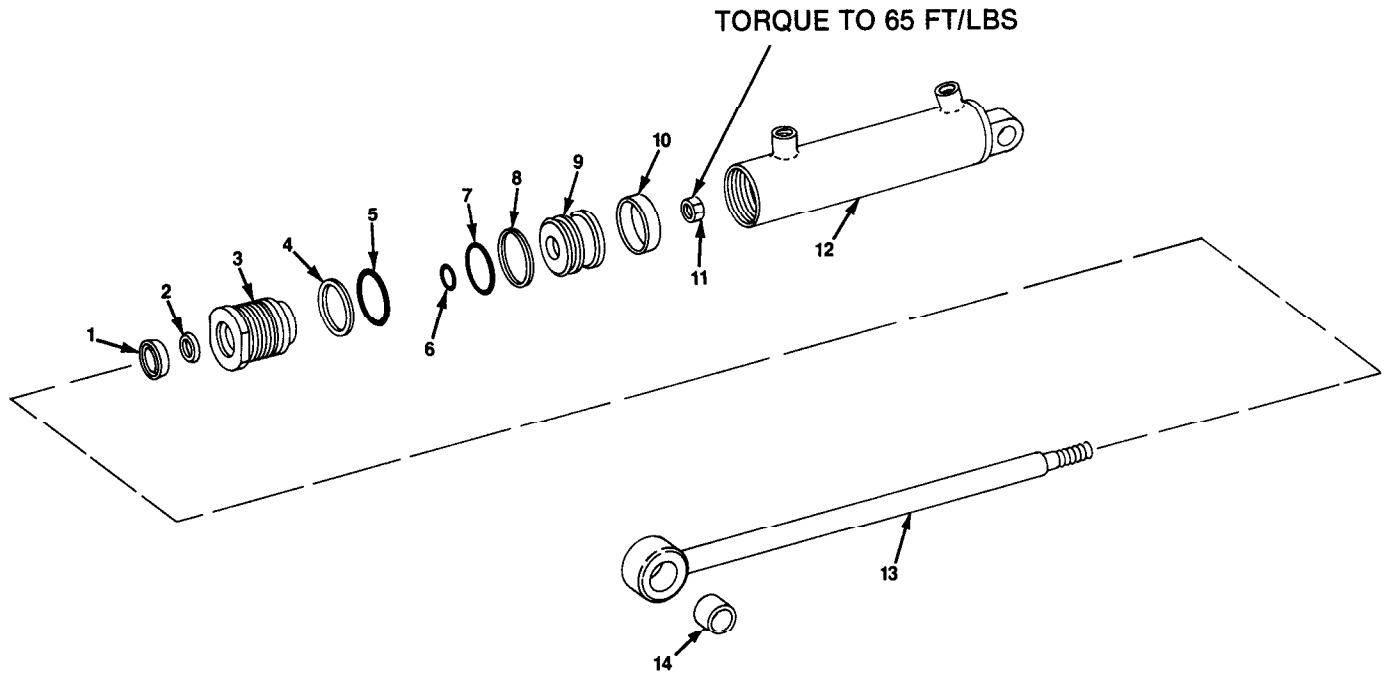


Fig. #	Item #	Part #	Name	# for Assy.
51	1K	NSS	Wiper	1
51	2K	NSS	Seal	1
51	3	C-40290	Bearing	1
51	4K	NSS	Ring, Back-up	1
51	5K	NSS	O Ring	1
51	6K	NSS	O Ring	1
51	7K	NSS	O Ring	1
51	8K	NSS	Ring, Wear	1
51	9	B-40285	Piston	1
51	10K	NSS	Ring, Wear	1
51	11	A-14908-08	Nut, Lock	1
51	12	C-40289	Tube, Cylinder	1
51	13	B-40286	Rod, Cylinder	1
51	14	B-49924-08	Bearing	1
51	K	A-40470	Kit, Seal	1

NSS — Not Sold Separately

FIGURE 58 3 STAGE MAST HYDRAULIC HOSE ASSEMBLY

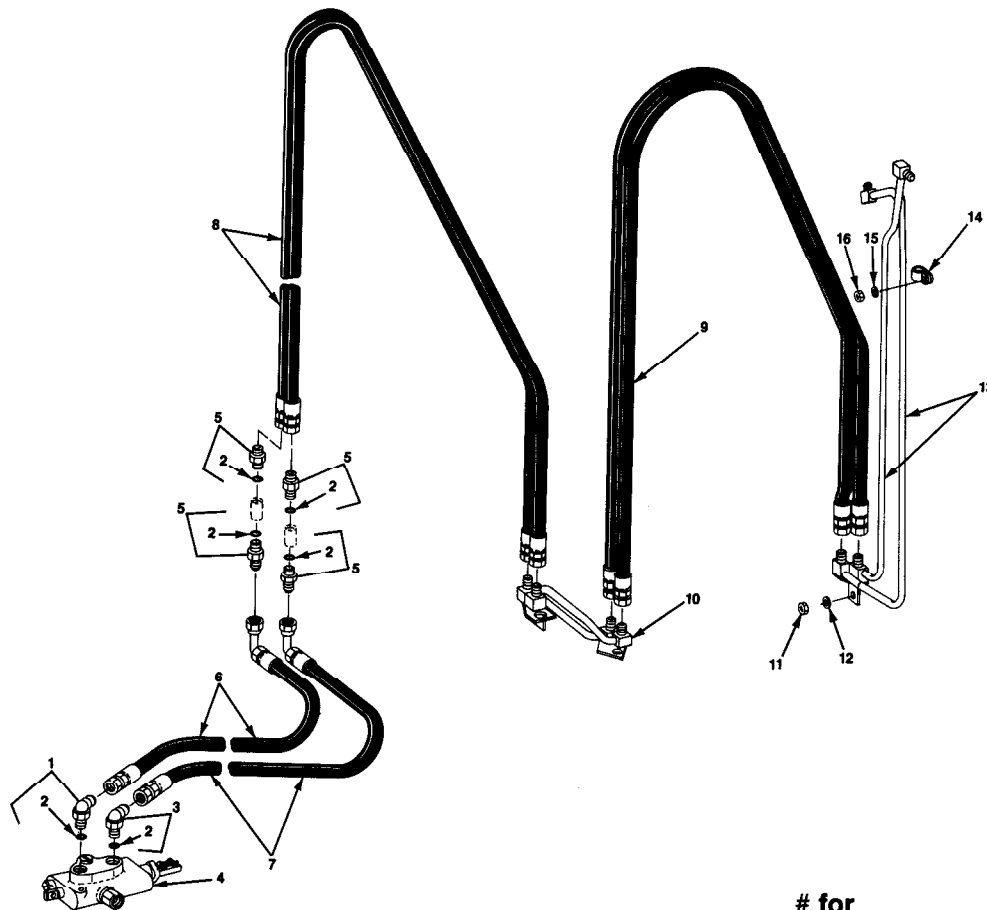


Fig. #	Item #	Part #	Name	# for Assy.	Unit
58	1	P-22012-03	Elbow, 90°	1	
58	2	P-12391-05	O ring	6	
58	3	A-14844-03	Elbow, 45°	1	
58	4	D-40101	Valve, auxiliary (see fig. #41)	1	
58	5	P-25108-06	Adapter, straight	4	
58	6	B-30355-14	Hose assembly	1	89/180
58	7	B-30355-15	Hose assembly	1	95/198
58	8	C-40455-01	Hose assembly	1	95/210
58	8	C-40455-02	Hose assembly	1	107/226
58	8	C-40455-03	Hose assembly	1	111/240
58	8	C-40455-04	Hose assembly	1	119/258
58	8	C-40455-05	Hose assembly	1	127/276
58	8	C-40455-06	Hose assembly	1	137/300
58	8	C-40455-07	Hose assembly	1	89/180
58	9	C-40455-11	Hose assembly	1	95/198
58	9	C-40455-12	Hose assembly	1	95/210
58	9	C-40455-21	Hose assembly	1	107/226
58	9	C-40455-13	Hose assembly	1	111/240
58	9	C-40455-14	Hose assembly	1	119/258
58	9	C-40455-15	Hose assembly	1	127/276
58	9	C-40455-22	Hose assembly	1	137/300
58	9	C-40455-23	Hose assembly	1	
58	10	C-40259	Manifold	1	
58	11	P-11854-03	Screw, cap	2	
58	12	P-11009-05	Lockwasher	2	
58	13	D-40411	Tube assembly	1	
58	14	P-15677-08	Clamp	1	
58	15	P-11009-06	Lockwasher	1	
58	16	P-11261-06	Nut	1	

FIGURE 67 DEEP REACH VALVE AND HOSE ASSEMBLY

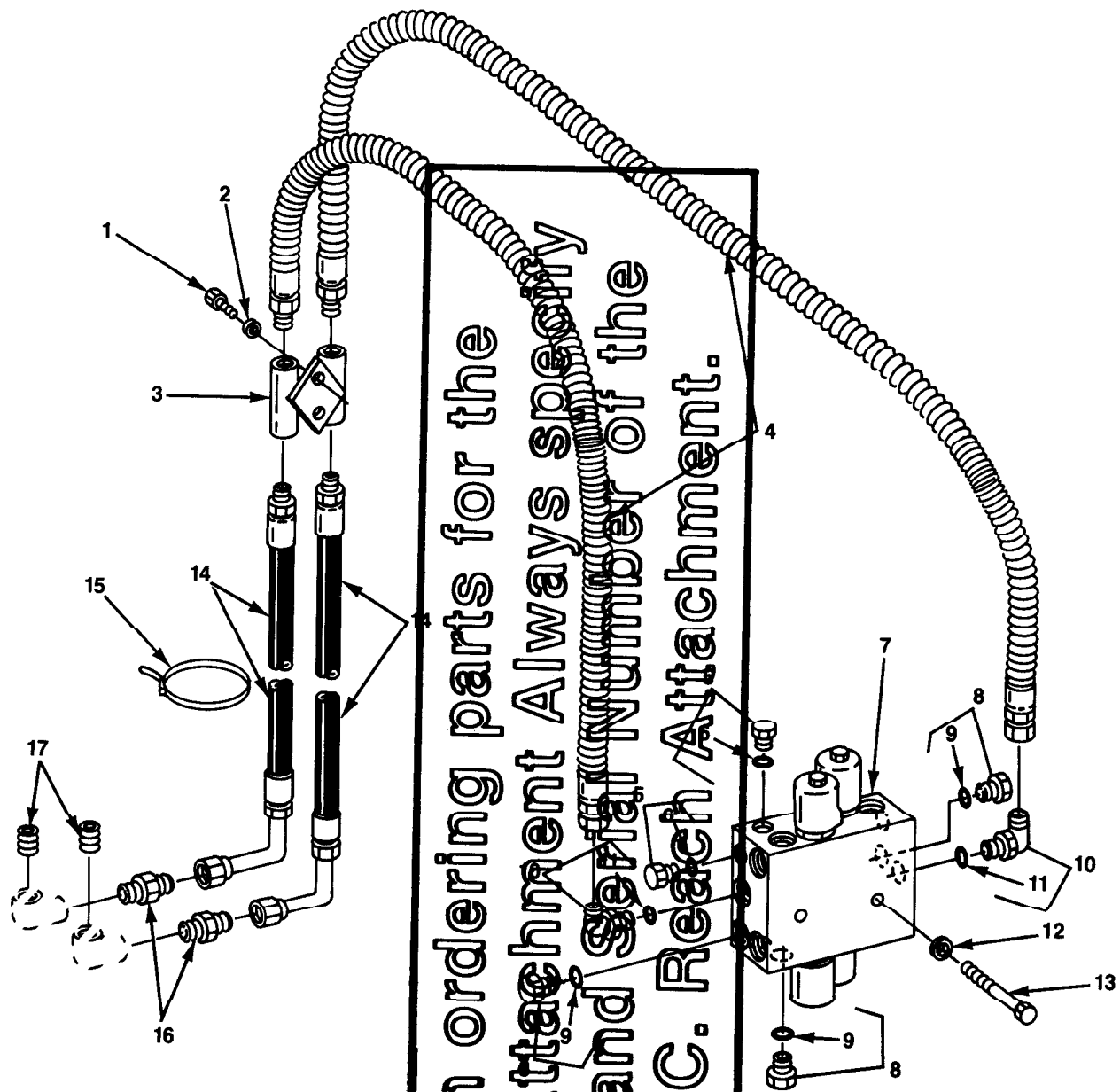


Fig. #	Item #	Part #	Name	# for Assy.	Unit
67	1	QS740318	Screw, cap	2	
67	2	QS740164	Lockwasher	2	
67	3	QS730313	Elbow, 90°	1	
67	4	QSDF-2320-05-04-05-26	Hose assembly	2	
67	5	P-12318-01	O ring	2	
67	6	P-12391-01	O ring	1	
67	7	C-40646-01	Valve assembly (see fig. #69)	1	24 volt
67	7	C-40646-00	Valve assembly (see fig. #69)	1	36 volt
67	8	P-12318-04	Plug	3	
67	9	P-12391-05	O ring	1	
67	10	P-22012-02	Elbow, 90°	2	
67	11	P-12391-05	O ring	1	
67	12	QS740282	Lockwasher	2	
67	13	QS740545	Screw, cap	2	
67	14		Hose assembly	2	
67	15	P-25332	Tie, wire	As Req'd	
67	16		Adapter	2	
67	17	QS3P-1087	Nipple	2	

FIGURE 74 2 STAGE MAST INSTALLATION ASSEMBLY

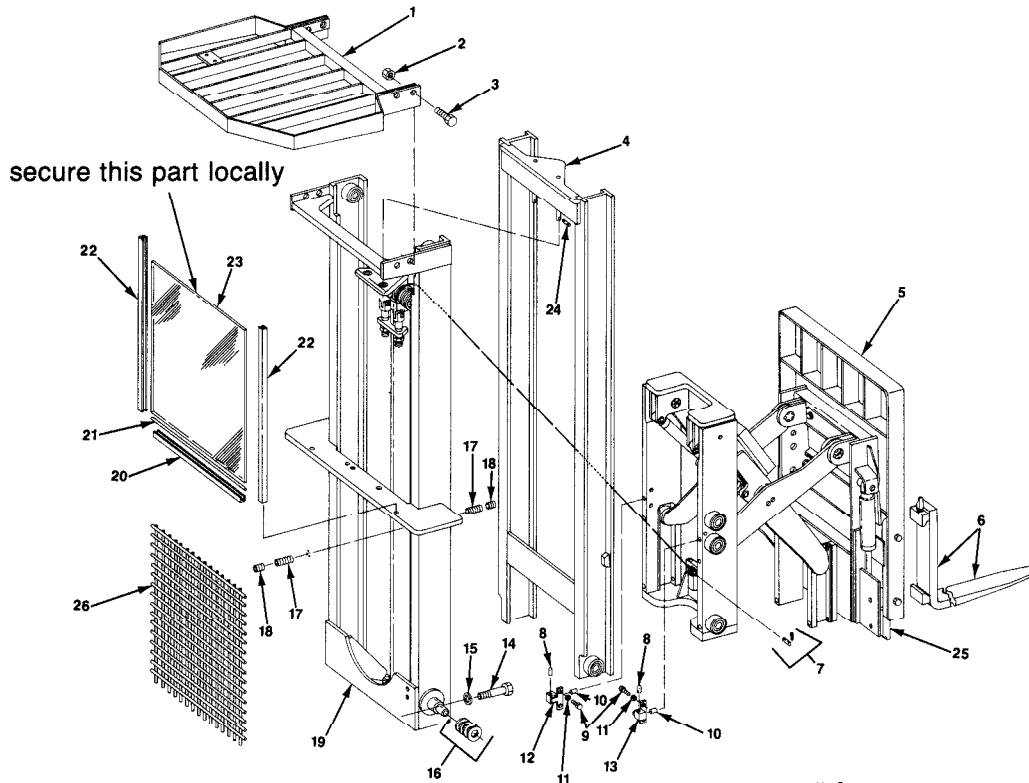


Fig. #	Item #	Part #	Name	# for Assy.	Unit
74	1	D-40225	Guard, overhead	1	
74	2	P-11170-12	Nut	4	
74	3	P-14992-08	Screw, cap	4	
74	4		Column, inner (see fig. #75)	1	
74	5		Reach assembly (see fig. #78)	1	
74	5	A-40596	Reach, deep (see fig. #81)	1	
74	6	P-25008-01	Fork, 30" (see fig. #83)	2	
74	6	P-25008-02	Fork, 36" (see fig. #83)	2	
74	6	P-25008-03	Fork, 42" (see fig. #83)	2	
74	6	P-25008-04	Fork, 48" (see fig. #83)	2	
74	7	A-30554	Pin with cotterpin	2	
74	8	A-40547	Plug	2	
74	9	A-14892-04	Screw, cap	4	
74	10	P-11890-06	Pin, dowel	2	
74	11	P-11009-06	Lockwasher	4	
74	12	A-40544-00	Stop	1	
74	13	A-40544-01	Stop	1	
74	14	P-14992-17	Screw, cap	2	
74	15	P-11016-06	Washer	2	
74	16	A-49925-01	Shim, .250	As Req'd	
74	16	A-49925-02	Shim, .125	As Req'd	
74	16	A-49925-03	Shim, .062	As Req'd	
74	17	P-11271-15	Setscrew	4	
74	18	P-11271-14	Setscrew	4	
74	19		Column, outer (see fig. #76)	1	
74	20	A-40228-05	Channel	1	
74	21	B-40467-01	Cushion, windshield	1	
74	22	A-40228-01	Channel	2	
74	22	A-40228-02	Channel	2	95/138 only
74	23		Laminated safety sheet glass S.A.E. J-673 26 <sup>5</sup> / <sub>8</sub> x 33 <sup>3</sup> / <sub>4</sub> x .234 (secure this part locally)	1	
74	24	P-11074-10	Pin, roll	2	
74	25	D-40472	Sideshift assembly (see fig. #82)	1	
74	26	B-40486-01	Screen	1	Cold storage
74	*	52-5007	Edge, rubber	As Req'd	Cold storage

FIGURE 83 FORK ASSEMBLY (P-25008)

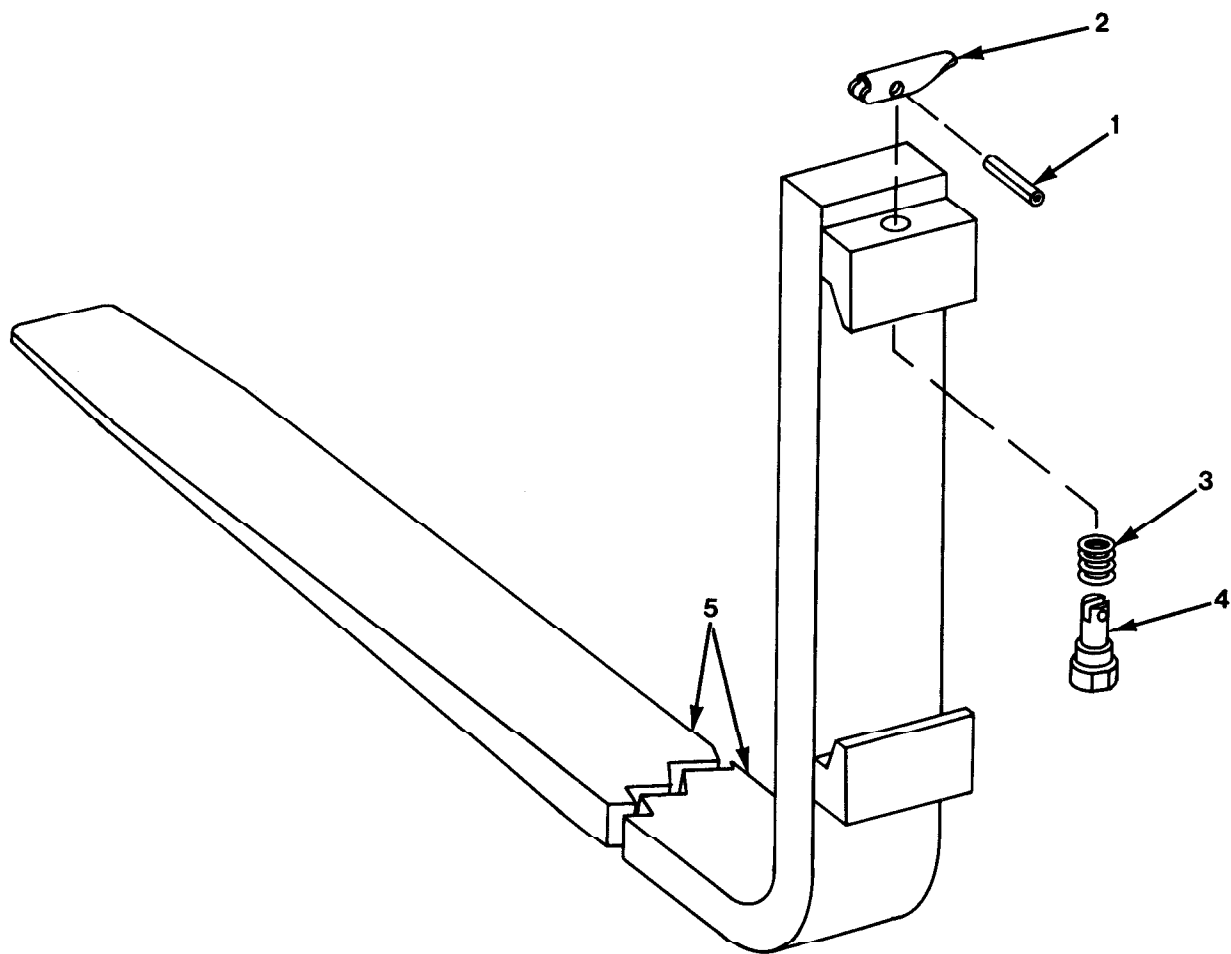


Fig. #	Item #	Part #	Name	# for Assy.
83	1K	NSS	Pin, roll	1
83	2K	NSS	Handle	1
83	3K	NSS	Spring	1
83	4K	NSS	Pin	1
83	5	NA	Fork	1
83	K	MT101-A	Pin assembly (contains parts indicated by letter "K")	1

NSS — Not Sold Separately  
 NA — Not Available

CLICK HERE TO **DOWNLOAD** THE COMPLETE MANUAL

- Thank you very much for reading the preview of the manual.
- You can download the complete manual from: [www.heydownloads.com](http://www.heydownloads.com) by clicking the link below



- Please note: If there is no response to CLICKING the link, please download this PDF first and then click on it.

CLICK HERE TO **DOWNLOAD** THE COMPLETE MANUAL