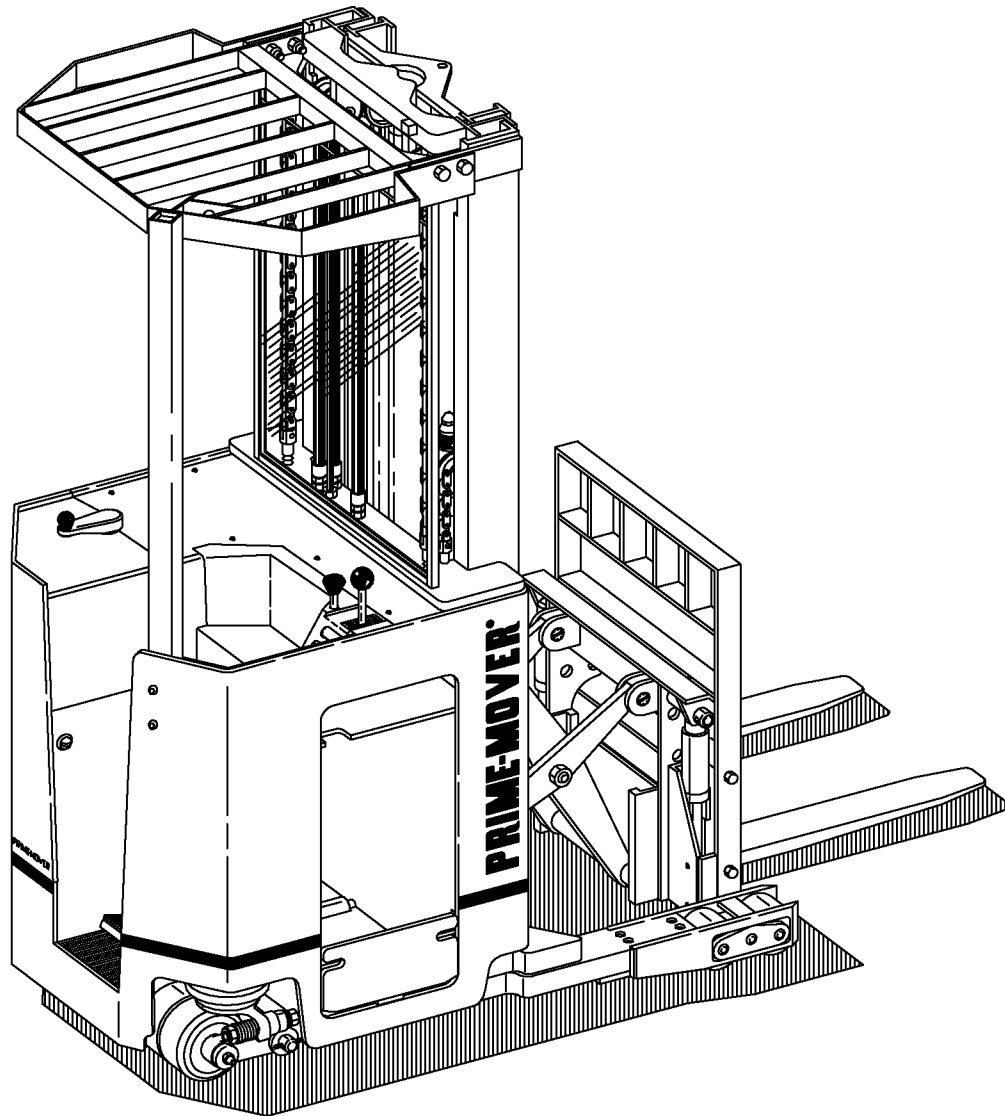


RR-34B PARTS MANUAL

RR-34B REACH TRUCK

RR-34B

Effective Serial Number RR34B181728



WARNING Read and observe all warnings on the unit before operating it. Do not operate this equipment unless all factory installed guards and shields are properly secured in place.

ISSUED SEPTEMBER 1988

PRIME-MOVER®

Return

CLICK HERE TO **DOWNLOAD** THE COMPLETE MANUAL

- Thank you very much for reading the preview of the manual.
- You can download the complete manual from: www.heydownloads.com by clicking the link below



- Please note: If there is no response to CLICKING the link, please download this PDF first and then click on it.

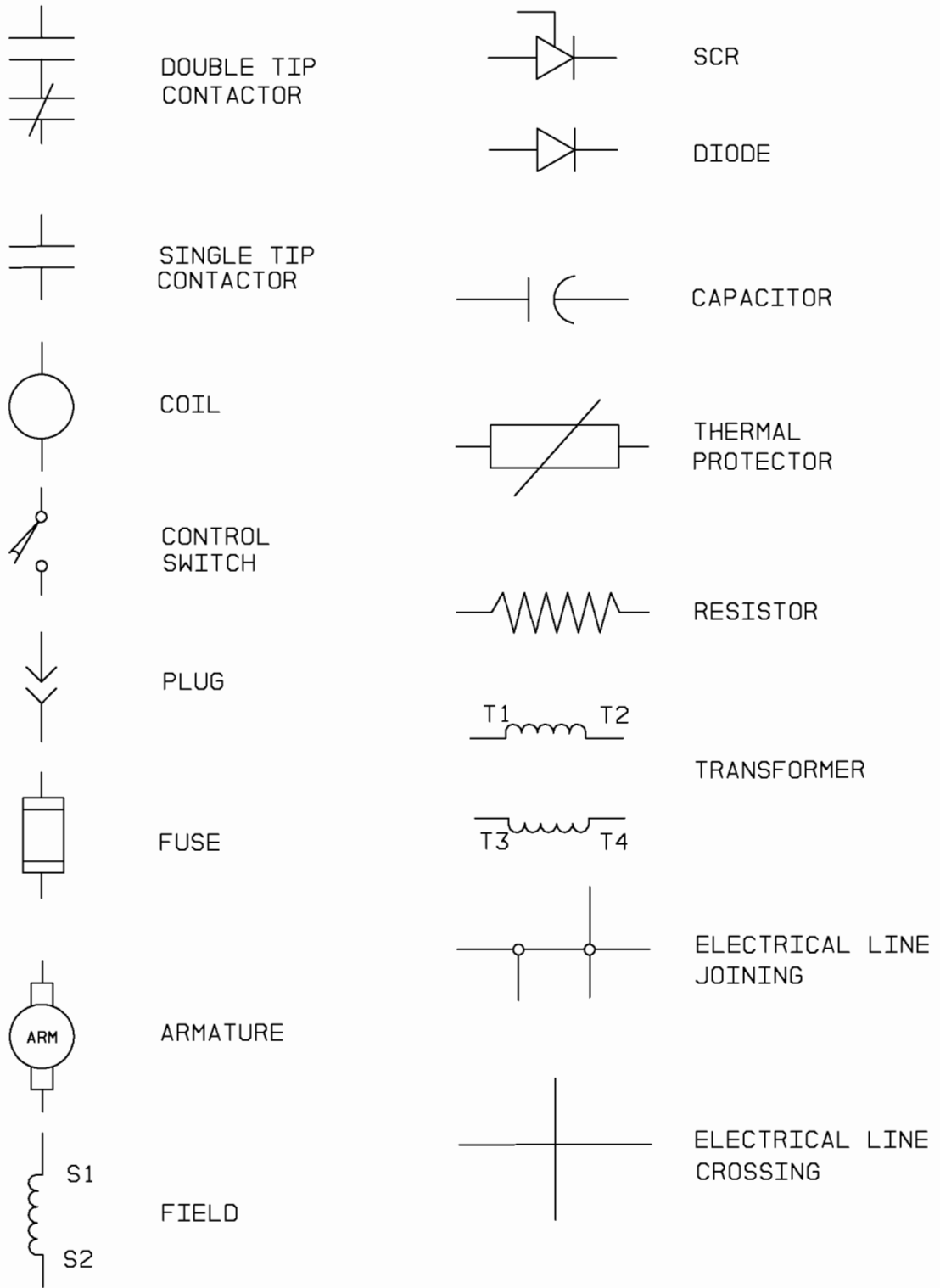
CLICK HERE TO **DOWNLOAD** THE COMPLETE MANUAL

FIG #	ITEM #	PART #	NAME	# FOR ASSY.	UNIT
3	1	40919-00	Block	1	
3	2	11894-06	Screw, cap	1	
3	3	40923-00	Post	1	95/138,198,210
3	3	40923-01	Post	1	All Else
3	4	11884-01	Screw, socket	1	
3	5	11170-08	Locknut	1	
3	6	40806-00	Mat, floor	1	
3	7	40786-01	Pedal	1	
3	8	40419-00	Mat, pedal	1	
3	9	11073-38	Pin, roll	1	
3	10	11695-07	Bushing	2	
3	11	40743-00	Cover	1	16 1/2" battery
3	11	40743-01	Cover	1	14 1/2" battery
3	12	49922-01	Screw, machine	11	
3	13	40237-00	Cover, seat panel	1	
3	14	40418-00	Pad, seat	1	
3	15	49892-01	Screw, flat head	1	
3	16	40233-00	Angle	1	
3	17	27561-03	Edging	1	
3	18	14851-02	Nut, clip	6	
3	19	40238-03	Cover, instrument	1	
3	20	41109-00	Cover, SCR	1	

FIG #	ITEM #	PART #	NAME	# FOR ASSY.	UNIT
8	1	49919-03	Knob	1	
8	2	14915-05	Plug, hole	1	
8	3	40105-01	Crank, steering	1	
8	4	11073-06	Pin, roll	1	
8	5	40795-00	Torque generator (See Fig.# 9)	1	
8	6	14994-11	Screw, cap	1	
8	7	11854-03	Screw, cap	2	Forward
8	7	11854-05	Screw, cap	2	Reverse
8	8	49796-00	Bearing, flange	1	Forward
8	8	49752-00	Bearing, flange	1	Reverse
8	9	11261-05	Nut	2	Forward
8	9	11170-05	Nut	2	Reverse
8	*	11143-05	Screw, cap	1	Reverse
8	*	11806-06	Nut	1	Reverse
8	10	11047-21	Screw, cap	1	
8	11	26466-01	Sprocket	1	
8	12	11073-11	Pin, roll	1	
8	13	40783-00	Sprocket	1	
8	14	11271-11	Screw, set	1	
8	15	40782-00	Rod	1	
8	16	49725-00	Bearing, pillow block	1	
8	17	11830-03	Screw, cap	1	
8	18	25125-01	Sprocket	1	
8	19	11073-27	Pin, roll	1	
8	20	25121-01	Chain	1	
8	21	11057-03	Key	1	
8	22	41079-00	Shim, .120	As Req'd.	
8	22	41079-01	Shim, .060	As Req'd.	
8	22	41079-02	Shim, .030	As Req'd.	
8	23	11057-03	Key	1	
8	24	21542-01	Chain	1	Reverse
8	25	21542-09	Chain	1	Forward
8	26	11170-08	Nut	1	
8	27	11857-01	Washer	1	
8	28	11936-17	Bearing, thrust	1	
8	29	40780-00	Sprocket	1	
8	30	11020-35	Bearing	1	
8	31	11857-02	Washer	1	
8	32	41138-00	Bracket, mounting	1	
8	33	40781-00	Bolt, special	1	
8	34	11806-06	Nut	1	
8	35	40779-01	Screw, special	1	
8	36	11873-16	Screw, shoulder	1	
8	37	11695-07	Bearing, flange	1	
8	38	25306-01	Link, offset	1	Reverse

FIG #	ITEM #	PART #	NAME	# FOR ASSY.	UNIT
13	1	14989-18	Screw, cap	4	
13	2	40506-00	Drive motor assembly (See Fig.# 15)	1	24 volt
13	2	40096-00	Drive motor assembly (See Fig.# 15)	1	36 volt
13	3	14994-06	Screw, cap	4	
13	4	11016-04	Washer, flat	6	
13	5	40011-01	Transmission assembly (See Fig.# 16 and 17)	1	
13	6	14994-05	Screw, cap	2	
13	7	20904-01	Bumper	1	
13	8	40425-00	Shim, .005	As Req'd.	

FIGURE # 19 ELECTRICAL SCHEMATIC SYMBOLS



NOTE: SEE APPENDIX I FOR EV-1 ELECTRICAL SYSTEM

FIG #	ITEM #	PART #	NAME	# FOR ASSY.	UNIT
24	1	25332-01	Tie, wire	As Req'd	
24	2	41166-00	Harness, wiring (See Fig.# 21)	1	
24	3	49611-00	Receptacle	1	
24	4	49861-05	Relief, strain	1	
24	5	52-07920-00	Cable	As Req'd	
24	6	11170-06	Nut	1	
24	7	15677-08	Clamp	1	
24	8	49610-00	Pin	5	
24	9	11009-05	Lockwasher	2	
24	10	11854-03	Screw, cap	2	
24	11	40030-02	Bracket	1	
24	12	49609-00	Plug	1	
24	13	41255-00	Cable, single reach (See Fig.# 25)	1	
24	13	41486-00	Cable, double reach (See Fig.# 26)	1	
24	14	49608-00	Socket	5	
24	15	41588-00	Sleeve, cable	2	
24	16	49501-00	Spring	2	
24	17	41602-00	Strain relief, clamp	2	
24	18	41602-01	Strain relief, fitting	2	
24	19	41596-00	Bracket	2	

FIG #	ITEM #	PART #	NAME	# FOR ASSY.	UNIT
29	6	200043	Bar, bus	1	
29	7	NA	Hexhead, M5 x .80, 10mm long	8	
29	*	NA	Lockwasher, M5	8	
29	*	NA	Washer, M5 flat	8	
29	8	200042	Bar, bus	1	
29	9	200041	Bar, bus	1	
29	10	202048	Card, T1	1	
29	11	200059	Harness, SCR wiring	1	
29	12	200052	Kit, 1 rec	1	
29	13	200045	Insulation, 1 rec	1	
29	14	NA	Hexhead, M5 x .80, 50mm long	4	
29	15	200044	Bar, bus	1	
29	16	NA	Panhead, M3.5 x .60, 8mm long	8	
29	*	NA	Lockwasher, M3.5	6	
29	*	NA	Washer, M3.5 flat	6	
29	17	NA	Panhead, M3.5 x .60, 44mm long	1	
29	*	NA	Lockwasher, M3.5	1	
29	*	NA	Washer, M3.5 flat	1	
29	18	NA	Panhead, M3.5 x .60, 23mm long	8	
29	*	NA	Lockwasher, M3.5	8	
29	*	NA	Washer, M3.5 flat	8	
29	19	200050	Snubber	4	
29	20	200051	Spider and wire assembly	1	
29	21	200058	Thermal protector	1	
29	22	200038	Reactor	1	
29	23	NA	Hex cap, M6 x 1, 16mm long	1	
29	*	NA	Lockwasher, M6	1	
29	*	NA	Washer, M6 flat	1	
29	24	NA	Nut, M8 x 1.25	4	
29	25	50001-11	Lockwasher, M8	2	
29	*	NA	Washer, M8 flat	2	
29	26	200049	Shunt	1	
29	27	200048	Post	1	
29	28	201297	Rectifier (3 rec and 4 rec)	2	
29	29	200054	Strap, capacitor	2	
29	30	200046	Heatsink	1	
29	31	200045	Insulation, heatsink	1	
29	32	200055	Capacitor, 150mf	1	
29	33	200047	Bushing	3	
29	34	NA	Hexcap, M8 x 1.25, 16mm long	3	
29	*	50001-11	Lockwasher, M8	3	
29	*	NA	Washer, M8	3	

* Local purchase hardware for reference only.

FIG #	ITEM #	PART #	NAME	# FOR ASSY.	UNIT
34	1	26210-02	Light, flashing	1	24 volt
34	1	26210-03	Light, flashing	1	36 volt
34	2	200869	Lens (for flashing light only)	1	

FIG #	ITEM #	PART #	NAME	# FOR ASSY.	UNIT
40	1	49640-07	Hose assembly	1	89/126
40	1	49640-08	Hose assembly	1	95/138
40	1	49640-09	Hose assembly	1	107/162
40	1	49640-10	Hose assembly	1	119/186
40	2	41199-00	Tube, single reach	1	
40	3	49604-00	O ring	2	
40	4	49632-01	Bulkhead, fitting	2	
40	5	49604-01	O ring	2	
40	6	49642-01	Hose	2	
40	7	49654-01	Elbow, 45°	2	
40	8	49604-01	O ring	1	
40	9	12391-05	O ring	1	
40	10	41331-00	Valve assembly (See Fig.# 38)	2	
40	11	41475-00	Tube, double reach	1	
40	12	49604-00	O ring	2	

FIG #	ITEM #	PART #	NAME	# FOR ASSY.	UNIT
45	1	41243-01	Coil, 24 volt	As Req'd	
45	1	41243-00	Coil, 36 volt	As Req'd	
45	2	41242-00	Divider valve assembly (See Fig.# 43)	1	
45	3	49656-00	Adapter	4	
45	4	12391-03	O ring	1	
45	5	49604-00	O ring	1	
45	6	49617-06	Hose	1	
45	7	49655-00	Fitting, straight long	3	
45	8	49604-00	O ring	1	
45	9	12391-03	O ring	1	
45	10	41469-00	Cylinder, left tilt (See Fig.# 46)	1	
45	11	49616-00	Tee	1	
45	12	49604-00	O ring	2	
45	13	49579-00	Hose	1	
45	14	49578-00	Hose	1	
45	15	49623-00	Elbow, 90°	1	
45	16	49604-00	O ring	1	
45	17	49617-05	Hose	1	
45	18	49617-01	Hose	1	
45	19	201264	Cylinder, sideshift (See Fig.# 47)	1	
45	20	49654-08	Elbow, 45°	1	
45	21	49604-00	O ring	1	
45	22	49604-00	O ring	1	
45	23	49653-08	Elbow, 90°	1	
45	24	49604-00	O ring	1	
45	25	12391-04	O ring	1	
45	26	49617-00	Hose	1	
45	27	49531-00	Tee	1	
45	28	49604-00	O ring	2	
45	29	49655-01	Fitting, straight long	1	
45	30	12391-03	O ring	1	
45	31	49604-00	O ring	1	
45	32	41469-00	Cylinder, right tilt (See Fig.# 46)	1	



FIG #	ITEM #	PART #	NAME	# FOR ASSY.	UNIT
50	1	41391-00	Yoke	1	
50	2	41390-00	Rod	1	
50	3K	NSS	Wiper	1	
50	4K	NSS	Seal	1	
50	5	40495-00	Bearing	1	
50	6K	NSS	O ring	1	
50	7K	NSS	Ring, back-up	1	
50	8K	NSS	Ring, guide	1	
50	9	11806-12	Nut, jam	1	
50	10K	NSS	Ring, back-up	1	
50	11	41389-00	Piston	1	
50	12	14908-08	Nut	1	
50	13	41392-01	Tube, left	1	
50	14	11020-12	Bushing	1	
50	15	41392-00	Tube, right	1	
50	16	31057-04	Retainer	1	
50	17K	NSS	Ring, guide	1	
50	18K	NSS	O ring	1	
50	19K	NSS	O ring	1	
50	20	41527-XX	Spacer, stop	As Req'd	
50	K	41488-00	Kit, seal (contains items marked with "K")	1	

XX - SPECIFY MODEL AND SERIAL NUMBER WHEN ORDERING THIS PART.

FIG #	ITEM #	PART #	NAME	# FOR ASSY.	UNIT
54	1K	NSS	Seal, shaft	1	
54	2	201527	Body	2	
54	3	202303	Pin, dowel	1	
54	4K	NSS	Nylatron	1	
54	5K	NSS	Spacer, rubber	1	
54	6	201526	Plate, wear	1	
54	7	201523	Gear, drive	1	
54	8K	NSS	Seal, gasket	1	
54	9	202355	Cover-side, port	1	
54	10	202297	Washer, flat	2	
54	11	202296	Screw, cap	2	
54	12	202299	Plug, pipe	1	
54	13	201524	Gear, driven	1	
54	K	201528	Kit, seal	1	

(contains items marked with "K")

FIG #	ITEM #	PART #	NAME	# FOR ASSY.	UNIT
59	6	49604-02	O ring	1	
59	7	12391-07	O ring	1	
59	8	41364-00	Valve, lift control (See Fig.# 56)	1	
59	9	49641-23	Hose	1	
59	10	49641-24	Hose	2	
59	11	49533-00	Valve, flow control	1	
59	12	49656-14	Adapter	1	
59	13	49604-02	O ring	2	
59	14	12391-07	O ring	1	
59	15	49516-01	Hose	1	
59	16	49594-02	Diagnostic	1	
59	17	49615-02	Tee	3	
59	18	49604-02	O ring	1	
59	19	41241-00	Valve, flow limit	1	
59	20	49604-02	O ring	1	
59	21	12391-07	O ring	1	
59	22	11016-02	Washer, flat	1	
59	23	49632-02	Adapter	1	
59	24	49604-02	O ring	2	
59	25	40091-01	Cylinder assembly (See Fig.# 60)	2	89/180
59	25	40091-02	Cylinder assembly (See Fig.# 60)	2	95/198
59	25	40091-02	Cylinder assembly (See Fig.# 60)	2	95/210
59	25	40091-03	Cylinder assembly (See Fig.# 60)	2	107/226
59	25	40091-04	Cylinder assembly (See Fig.# 60)	2	111/240
59	25	40091-05	Cylinder assembly (See Fig.# 60)	2	119/258
59	26	49641-00	Hose	1	89/180
59	26	49641-00	Hose	1	95/198
59	26	49641-06	Hose	1	95/210
59	26	49641-01	Hose	1	107/226
59	26	49641-02	Hose	1	111/240
59	26	49641-03	Hose	1	119/258
59	27	49625-00	Fitting, special	1	
59	28	49604-02	O ring	1	
59	29	12391-06	O ring	1	
59	30	41219-00	Tube	1	
59	31	30320-01	Regulator, flow	1	
59	32	49656-18	Adapter	1	
59	33	12391-07	O ring	1	
59	34	49604-03	O ring	1	
59	35	41227-00	Line, hydraulic	1	
59	36	49656-03	Adapter	1	
59	37	49604-03	O ring	1	
59	38	12391-07	O ring	1	
59	39	40092-01	Cylinder assembly (See Fig.# 61)	1	89/180
59	39	40092-02	Cylinder assembly (See Fig.# 61)	1	95/198
59	39	40092-11	Cylinder assembly (See Fig.# 61)	1	95/210
59	39	40092-03	Cylinder assembly (See Fig.# 61)	1	107/226
59	39	40092-04	Cylinder assembly (See Fig.# 61)	1	111/240
59	39	40092-05	Cylinder assembly (See Fig.# 61)	1	119/258
59	40	25109-05	Adapter	1	95/210
59	41	12391-08	O ring	1	
59	42	12391-07	O ring	1	95/210
59	43	49656-03	Adapter	2	95/210
59	44	12391-07	O ring	1	
59	45	48604-03	O ring	1	
59	46	41260-00	Line, hydraulic	1	95/210
59	47	49641-06	Hose	1	95/210
59	48	49656-17	Adapter	1	95/210
59	49	49604-03	O ring	1	
59	50	12391-06	O ring	1	



FIG ITEM		PART #	NAME	# FOR	
#	#			ASSY.	UNIT
64	1	11857-05	Shim, washer	As Req'd	
64	2	21089-02	Bearing	2	
64	3	14835-44	Chain, lift	2	89/126
64	3	14835-45	Chain, lift	2	95/138
64	3	14835-46	Chain, lift	2	107/162
64	3	14835-47	Chain, lift	2	119/186
64	4	30558-00	Anchor, chain	2	
64	5	30554-00	Pin, chain	2	
64	6	49837-00	Nut	2	
64	7	11486-12	Nut, jam	2	
64	8		Cylinder assembly (See Fig.# 65)	1	
64	9	40518-01	Column, outer	1	89/126
64	9	40518-02	Column, outer	1	95/138
64	9	40518-03	Column, outer	1	107/162
64	9	40518-04	Column, outer	1	119/186

FIG #	ITEM #	PART #	NAME	# FOR ASSY.	UNIT
69	1	41561-00	Cylinder, tilt (See Fig.# 44)	2	
69	2	40499-00	Spacer	2	
69	3	41374-00	Frame, front	1	
69	4	40641-00	Frame, fork	1	
69	5	40382-00	Pin	2	
69	6	11073-23	Pin, roll	2	
69	7	40988-00	Rest, load back	1	
69	8	14994-06	Screw, cap	4	
69	9	11852-14	Screw, flathead	4	
69	10	40593-00	Bar, wear	2	
69	11	40441-00	Shim, .060	As Req'd	
69	12	11073-04	Pin, roll	2	
69	13	13813-19	Pin	2	
69	14	11009-08	Lockwasher	4	

FIG #	ITEM #	PART #	NAME	# FOR ASSY.	UNIT
74	1	30553-02	Washer, shim	4	
74	2	49994-01	Bearing	2	
74	3	49993-02	Race, inner	2	
74	4	41586-00	Sheave	1	
74	5	41584-00	Sheave	1	
74	6	40058-02	Spacer	1	
74	7	30553-07	Washer, shim	1	
74	8	30559-00	Sheave	1	
74	9	11143-04	Screw, cap	4	
74	10	11009-06	Lockwasher	4	
74	11	28159-06	Pin	1	
74	12	11160-11	Fitting, grease	2	
74	13	14994-00	Screw, cap	1	
74	14	14993-20	Washer, flat	1	
74	15	26617-03	Spacer	2	
74	16	26645-00	Sheave, hose	1	
74	17	26493-01	Bearing	1	
74	18	11857-05	Shim, .050	As Req'd	
74	18	11857-12	Shim, .025	As Req'd	
74	18	11857-09	Shim, .080	As Req'd	
74	18	11857-10	Shim, .050	As Req'd	95/210
74	18	11857-11	Shim, .025	As Req'd	95/210
74	19	21089-02	Bearing	4	
74	19	49832-00	Bearing	4	95/210
74	20	40080-01	Column, intermediate	1	89/180
74	20	40080-02	Column, intermediate	1	95/198
74	20	40080-16	Column, intermediate	1	95/210
74	20	40080-03	Column, intermediate	1	107/226
74	20	40080-04	Column, intermediate	1	119/256
74	21	28159-04	Pin	1	
74	22	11806-08	Nut, jam	2	
74	23	14994-05	Screw, cap	2	

FIG #	ITEM #	PART #	NAME	# FOR ASSY.	UNIT
79	1	11073-33	Pin, roll	1	
79	2	40245-00	Axle	1	
79	3	41159-00	Bracket	1	
79	4	40247-00	Pin	1	
79	5	40249-00	Plate	1	
79	6	11016-09	Washer	4	
79	7	40248-01	Shim, .005	As Req'd	
79	7	40248-02	Shim, .010	As Req'd	
79	7	40248-03	Shim, .062	As Req'd	
79	7	40248-04	Shim, .031	As Req'd	
79	8	49972-05	Seal	4	
79	9	11205-21	Bearing	4	
79	10	40222-00	Wheel	2	
79	11	11160-09	Fitting, grease	2	
79	*	202154	Adapter for grease gun	1	

MODEL RR-34B ELECTRIC REACH TRUCK

NUMERICAL INDEX

<u>PART #</u>	<u>FIGURE #</u>	<u>ITEM #</u>	<u>PART #</u>	<u>FIGURE #</u>	<u>ITEM #</u>
11857-06	81	12	12318-01	48	48
11857-09	63	1	12318-01	49	5
11857-09	66	7	12318-03	17	20
11857-09	73	6	12318-03	43	7
11857-09	74	18	12318-03	49	14
11857-09	75	6	12318-06	43	1
11857-10	66	7	12318-06	49	3
11857-10	68	45	12318-07	16	32
11857-10	73	6	12318-11	39	5
11857-10	74	18	12391-01	43	6
11857-10	75	6	12391-01	49	6
11857-11	66	7	12391-03	17	21
11857-11	68	45	12391-03	42	10
11857-11	73	6	12391-03	42	16
11857-11	75	6	12391-03	42	18
11857-12	63	1	12391-03	43	8
11857-12	66	7	12391-03	45	4
11857-12	73	6	12391-03	45	9
11857-12	74	18	12391-03	45	30
11857-12	76	6	12391-03	48	5
11872-02	16	17	12391-03	48	10
11873-16	8	36	12391-03	48	15
11873-19	5	23	12391-03	48	20
11880-08	14	45	12391-03	48	43
11880-09	5	7	12391-03	48	46
11884-01	3	4	12391-03	48	49
11885-03	20	2	12391-03	49	15
11885-04	6	49	12391-03	57	20
11890-03	17	6	12391-04	45	25
11890-03	65	5	12391-04	49	8
11890-05	16	15	12391-05	37	11
11890-10	62	10	12391-05	37	13
11894-06	3	2	12391-05	37	24
11894-06	60	6	12391-05	37	29
11897-03	58	1	12391-05	37	37
11897-03	60	2	12391-05	37	48
11898-04	75	3	12391-05	40	9
11935-06	17	27	12391-05	41	9
11936-01	17	32	12391-05	41	13
11936-07	75	10	12391-05	41	17
11936-10	75	4	12391-06	37	6
11936-15	17	28	12391-06	43	2
11936-16	17	26	12391-06	49	4
11936-17	8	28	12391-06	59	29
12318-01	43	5	12391-06	59	50

MODEL RR-34B ELECTRIC REACH TRUCK

NUMERICAL INDEX

<u>PART #</u>	<u>FIGURE #</u>	<u>ITEM #</u>	<u>PART #</u>	<u>FIGURE #</u>	<u>ITEM #</u>
41213-00	46	K	41322-00	5	5
41219-00	59	30	41324-00	6	24
41221-00	46	6	41331-00	20	15
41221-00	46	7	41331-00	21	7
41222-00	46	11	41331-00	37	21
41226-00	42	20	41331-00	40	10
41226-00	48	7	41331-00	41	14
41227-00	59	35	41331-00	5	13
41228-00	42	23	41361-00	21	6
41228-00	66	14	41364-00	20	13
41228-01	42	22	41364-00	51	13
41228-01	66	11	41364-00	57	21
41229-00	67	8	41364-00	59	8
41230-00	43	4	41364-00	6	22
41233-00	67	7	41367-00	68	40
41239-00	66	20	41374-00	69	3
41241-00	59	19	41387-XX	48	12
41242-00	25	1	41387-XX	48	26
41242-00	42	11	41389-00	50	11
41242-00	45	2	41390-00	50	2
41243-00	25	5	41391-00	50	1
41243-00	26	5	41392-00	50	15
41243-00	42	1	41392-01	50	13
41243-00	45	1	41395-00	68	35
41243-00	48	1	41395-01	68	23
41243-01	25	5	41399-00	68	13
41243-01	26	5	41403-00	68	34
41243-01	42	1	41403-01	68	32
41243-01	45	1	41408-00	68	5
41243-01	48	1	41416-00	21	9
41244-00	57	9	41416-00	68	37
41255-00	23	11	41417-00	68	36
41255-00	24	13	41419-00	68	24
41255-00	25	2	41420-00	68	19
41257-00	60	5	41421-00	68	20
41259-00	44	12	41422-00	68	18
41260-00	59	46	41423-00	68	14
41297-00	6	31	41424-00	68	22
41301-00	6	51	41426-00	39	3
41306-00	6	36	41426-01	39	3
41309-00	6	29	41459-00	68	59
41313-00	6	33	41469-00	45	10
41314-00	6	38	41469-00	45	32
41318-00	5	21	41469-00	67	1
41321-00	6	35	41470-04	46	15

FIG #	ITEM #	PART #	NAME	# FOR ASSY.	UNIT
III	1	40504-00	Motor, auxiliary (See Fig.# 12)	1	24 volt
III	1	40098-00	Motor, auxiliary (See Fig.# 12)	1	36 volt
III	2	49856-28	Cable	1	
III	3	40095-03	SCR and contactor panel assembly (See Fig.# 32)	1	24 volt
III	3	40095-04	SCR and contactor panel assembly (See Fig.# 32)	1	36 volt
III	4	11261-05	Nut	4	
III	5	11170-04	Nut	2	
III	6	49855-08	Connector, assembly	1	
III	7	11813-03	Grommet, rubber	2	
III	8	49886-09	Screw, cap	2	
III	9	40505-00	Motor, lift (See Fig.# 51)	1	24 volt
III	9	40097-00	Motor, lift (See Fig.# 51)	1	36 volt
III	10	26316-00	Cable	2	
III	11	49856-24	Cable	2	
III	12	49856-26	Cable	1	
III	13	49856-25	Cable	1	
III	14	40506-00	Motor, drive (See Fig.# 15)	1	24 volt
III	14	40096-00	Motor, drive (See Fig.# 15)	1	36 volt
III	15	49856-21	Cable	1	
III	16	49856-27	Cable	1	

FIG #	ITEM #	Contactor(P1&P2)		Contactor(1A)		# FOR ASSY.	UNIT
		PART #	PART #	PART #	PART #		
VIII	1	201372	201372	Screw, mounting		4	
VIII	2	201368	201368	Lockwasher		4	
VIII	3	201264	201264	Clamp, tip lower		2	
VIII	4	201215	201215	Nut, lock		1	
VIII	5	201367	201367	Washer, plain		1	
VIII	6	201259	201259	Retainer		1	
VIII	7	201266	201263	Spring		1	
VIII	8	201252	201252	Tip, movable		1	
VIII	9	201271	201271	Tip, left-hand		1	
VIII	10	201271	201271	Tip, right-hand		1	
VIII	11	201258	201258	Shim		1	
VIII	12	201261	201261	Carrier, movable tip		1	
VIII	13	201212	201212	Carrier, stationary tip		1	
VIII	14	201247	201247	Stud and nut assembly		1	
VIII	15	201369	201369	Lockwasher		1	
VIII	16	201284	201284	Guide		1	
VIII	17	202106	202106	Plate, bumper		1	
VIII	18	201257	201257	Shim		1	
VIII	19	201255	201255	Core head		1	
VIII	20	201267	201262	Spring		1	
VIII	21	201272	201249	Core assembly		1	
VIII	22	201242	201269	Frame, magnet		1	
VIII	23	201304	201310	Coil, 24 volt		1	24 volt
VIII	23	201305	201311	Coil, 36 volt		1	36 volt
VIII	24	201244	201243	Magnet assembly		1	
VIII	25	11885-04	11885-04	Screw, machine		2	
VIII	26	11823-22	11823-22	Terminal, blade		1	
VIII	26	201268	201268	Bushing		1	

ALPHABETICAL INDEX

NAME	FIG.#	PAGE #
S _____		
Shielding assembly	4.1	4.1
Single load wheel assembly	4.9	4.17
Single reach cable assembly	2.10	2.15
Single reach cylinder assembly	3.13	3.23
Single reach cylinder hose installation	3.11	3.19
Single reach diverter valve assembly	3.12	3.21
Single tilt and sideshifter hose installation	3.14	3.25
Single tilt cylinder assembly, left	3.15	3.27
Single tilt cylinder assembly, right	3.15	3.27
Special tools and lubrications	10.1	10.1
T _____		
Three stage cylinder and reservoir assembly	3.27	3.51
Three stage double reach assembly	5.18	5.35
Three stage double reach front frame assembly	5.19	5.37
Three stage fork assembly	5.21	5.39
Three stage freelif cylinder assembly	3.29	3.55
Three stage freelif cylinder installation	5.13	5.25
Three stage inner column assembly	5.12	5.23
Three stage intermediate column assembly	5.14	5.27
Three stage mast cable assembly	2.9	2.13
Three stage mast hydraulic assembly	3.10	3.17
Three stage mast installation	5.11	5.21
Three stage outer column assembly	5.15	5.29
Three stage sideshifter assembly	5.20	5.39
Three stage single reach assembly	5.16	5.31
Three stage single reach front frame assembly	5.17	5.33
Three stage staging cylinder assembly	3.28	3.53
Torque generator assembly	3.8	3.13
Transmission and drive motor installation	1.1	1.1
Transmission assembly, PART I	1.2	1.3
Transmission assembly, PART II	1.3	1.5
Two stage cylinder and reservoir assembly	3.25	3.47
Two stage cylinder assembly	3.26	3.49
Two stage cylinder installation	5.4	5.7
Two stage double reach assembly	5.7	5.13
Two stage double reach front frame assembly	5.8	5.15
Two stage inner column assembly	5.2	5.3
Two stage mast cable assembly	2.8	2.11
Two stage mast fork assembly	5.10	5.19
Two stage mast hydraulic assembly	3.9	3.15
Two stage mast installation	5.1	5.1
Two stage outer column assembly	5.3	5.5
Two stage sideshifter assembly	5.9	5.17
Two stage single reach assembly	5.5	5.9
Two stage single reach front frame assembly	5.6	5.11

FIGURE # 1.2 DRIVE MOTOR AND BRAKE ASSEMBLY

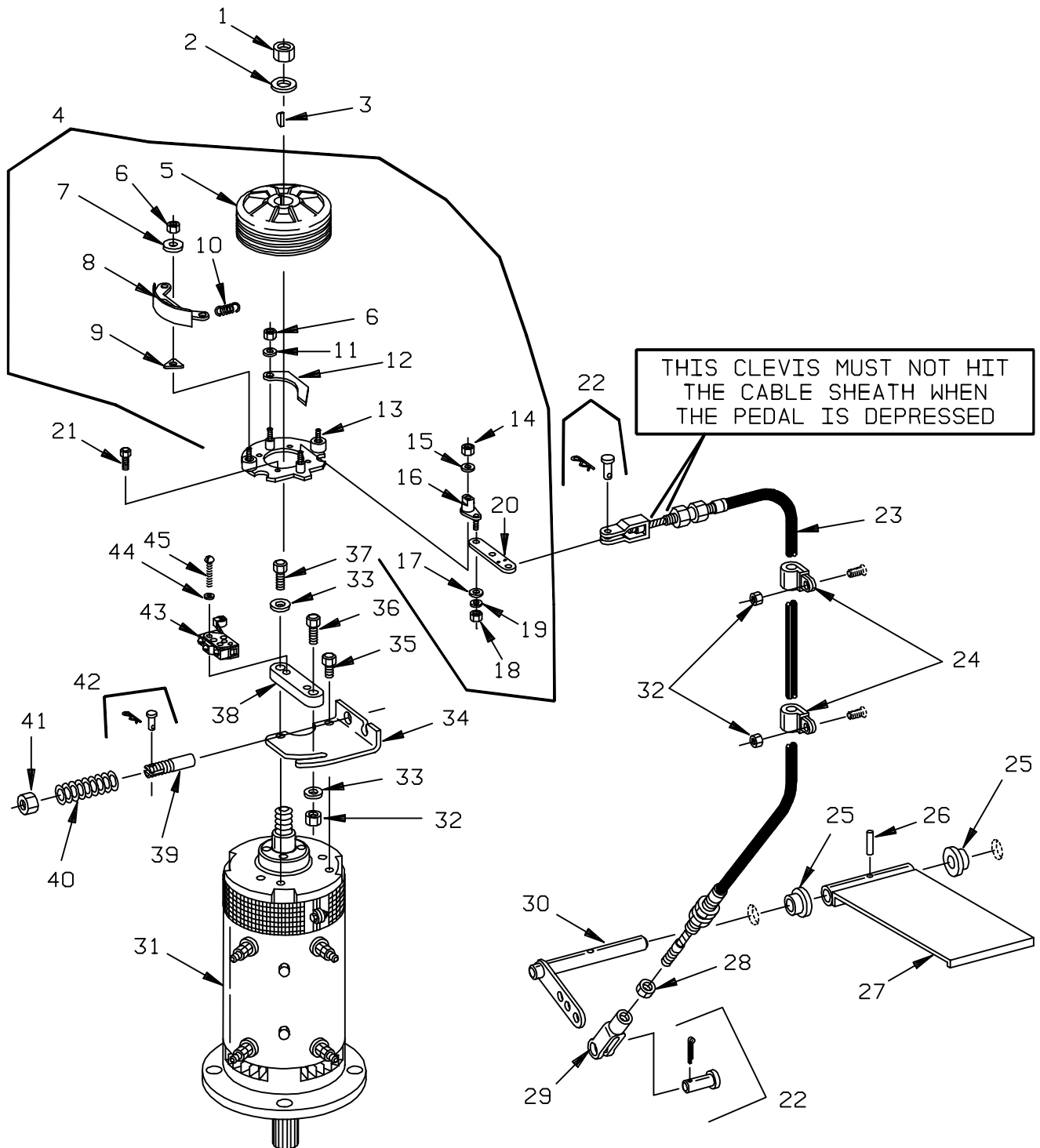


FIGURE # 2.5 WIRING ASSEMBLY FOR COLD STORAGE

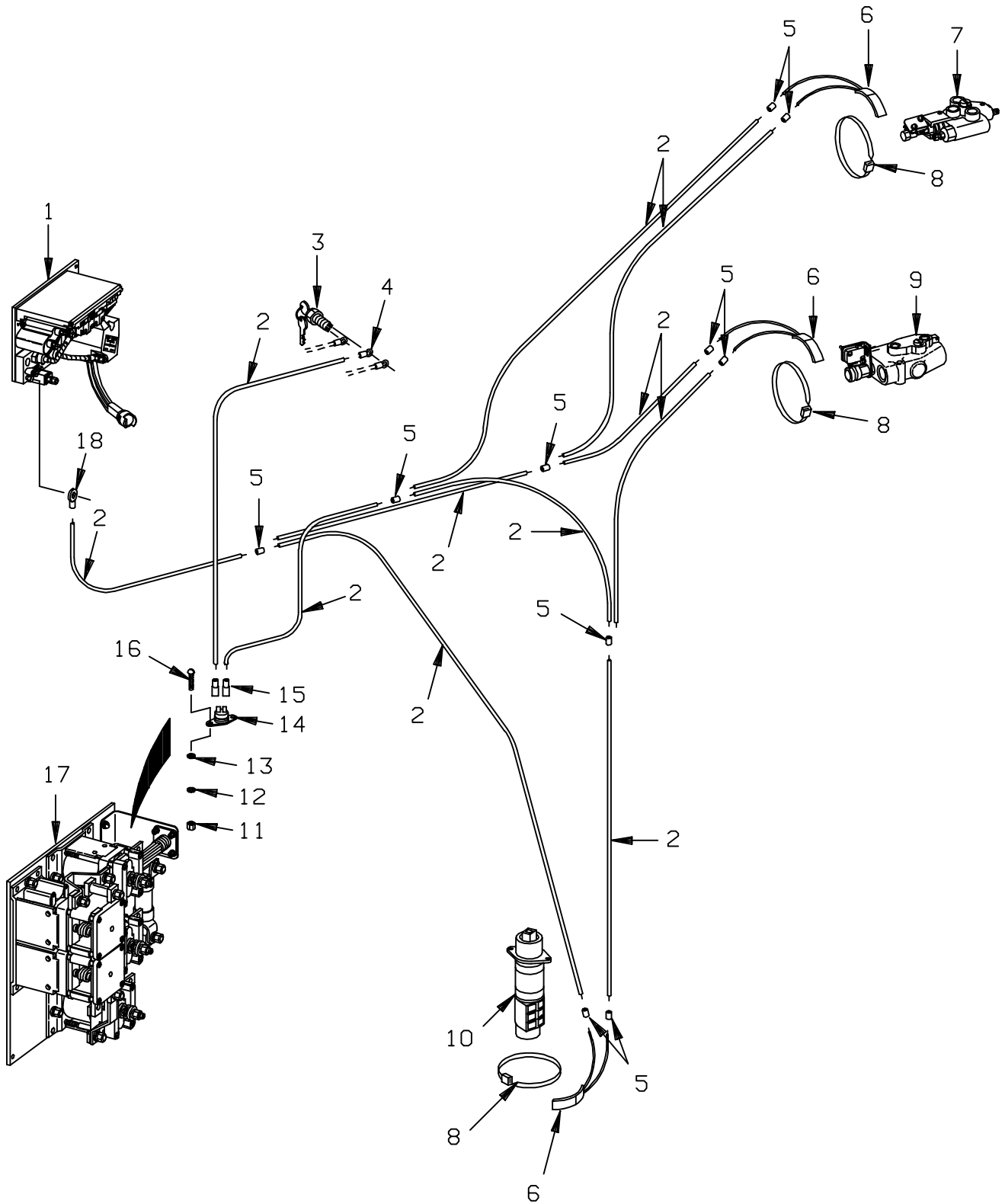


FIGURE # 2.10 SINGLE REACH CABLE ASSEMBLY

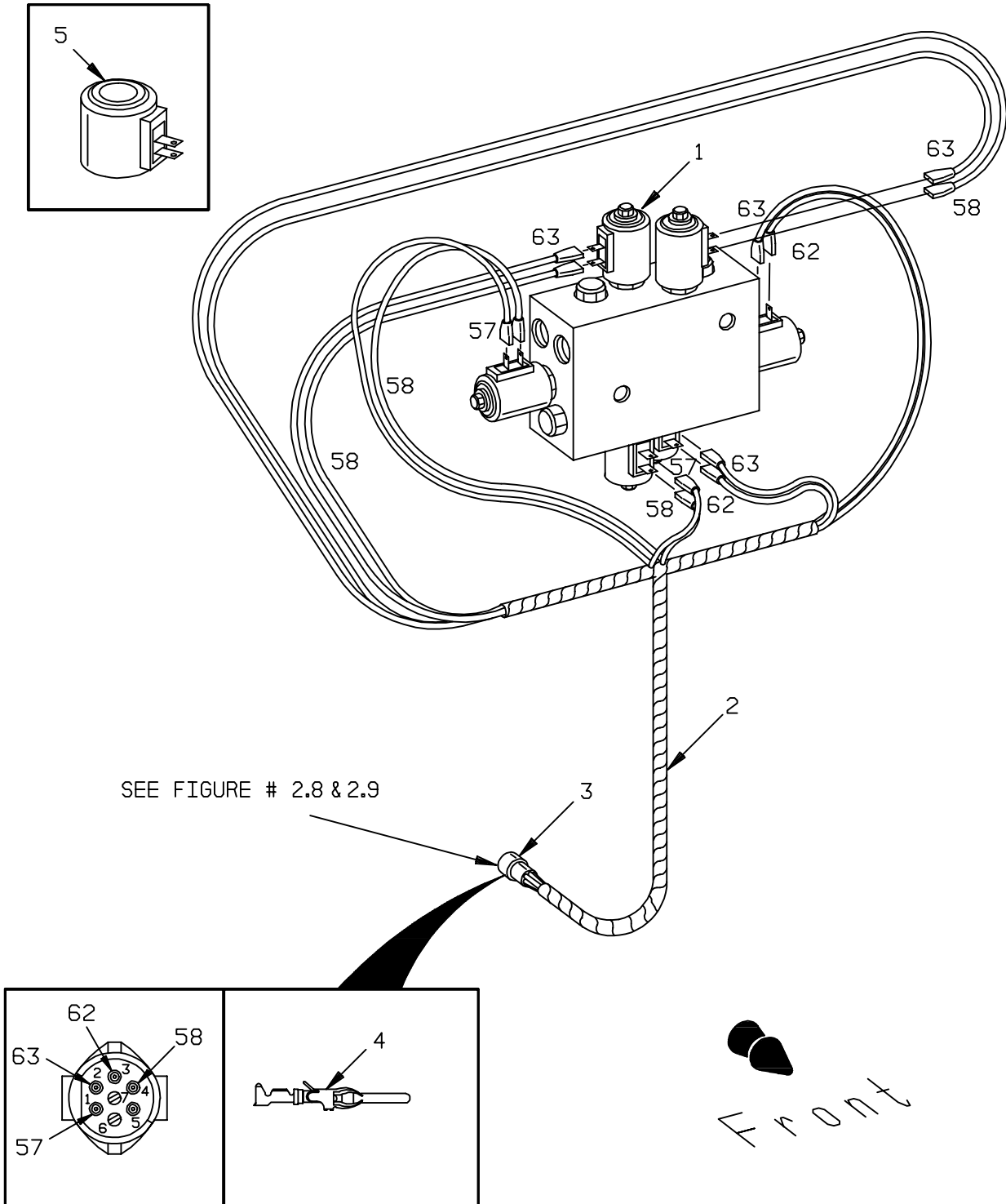
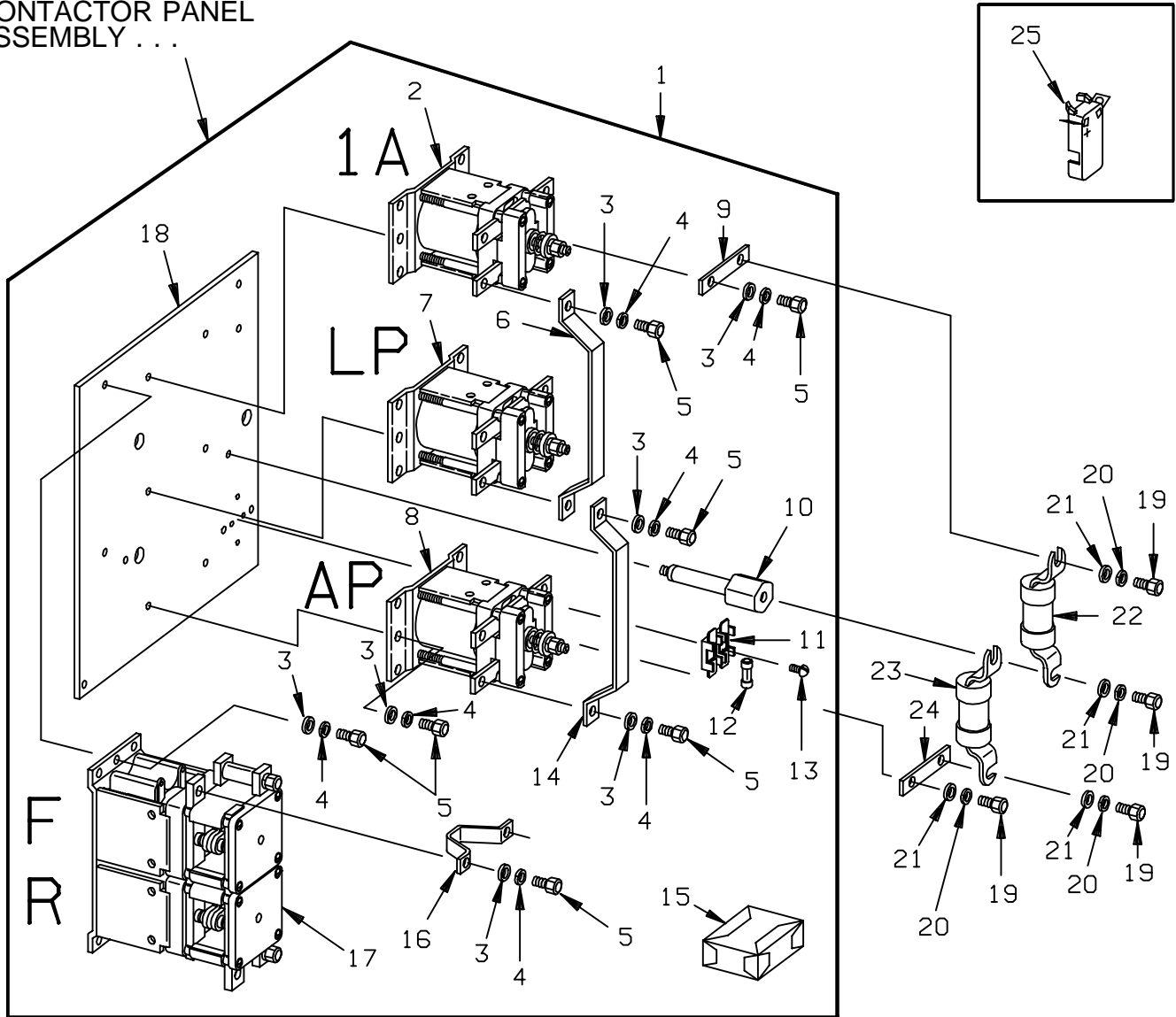


FIGURE # 2.15 EV-100LX CONTACTOR PANEL ASSEMBLY (24 VOLT, 41757-01)
(36 VOLT, 41757-02)

NOTE: USE HEAT CONDUCTING MATERIAL FROM DOW #340 BETWEEN THE BACK PLATE AND COMPONENT PARTS.

BOXED AREA IS THE CONTACTOR PANEL ASSEMBLY . . .



- F - Forward Contactor**
- R - Rearward Contactor**
- 1A - 1A Contactor**
- LP - Lift Pump Contactor**
- AP - Auxiliary Pump Contactor**

FIGURE # 2.20 POWER CONNECTOR ASSEMBLY (24 VOLT, 49855-24)
(36 VOLT, 49855-22)

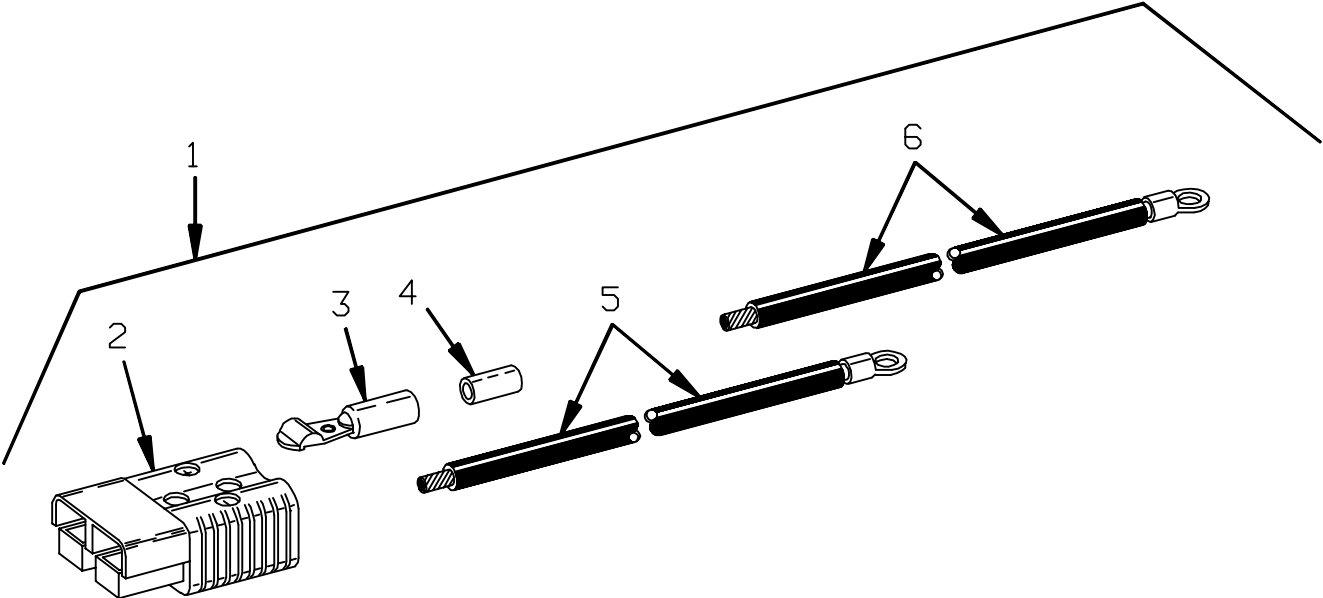
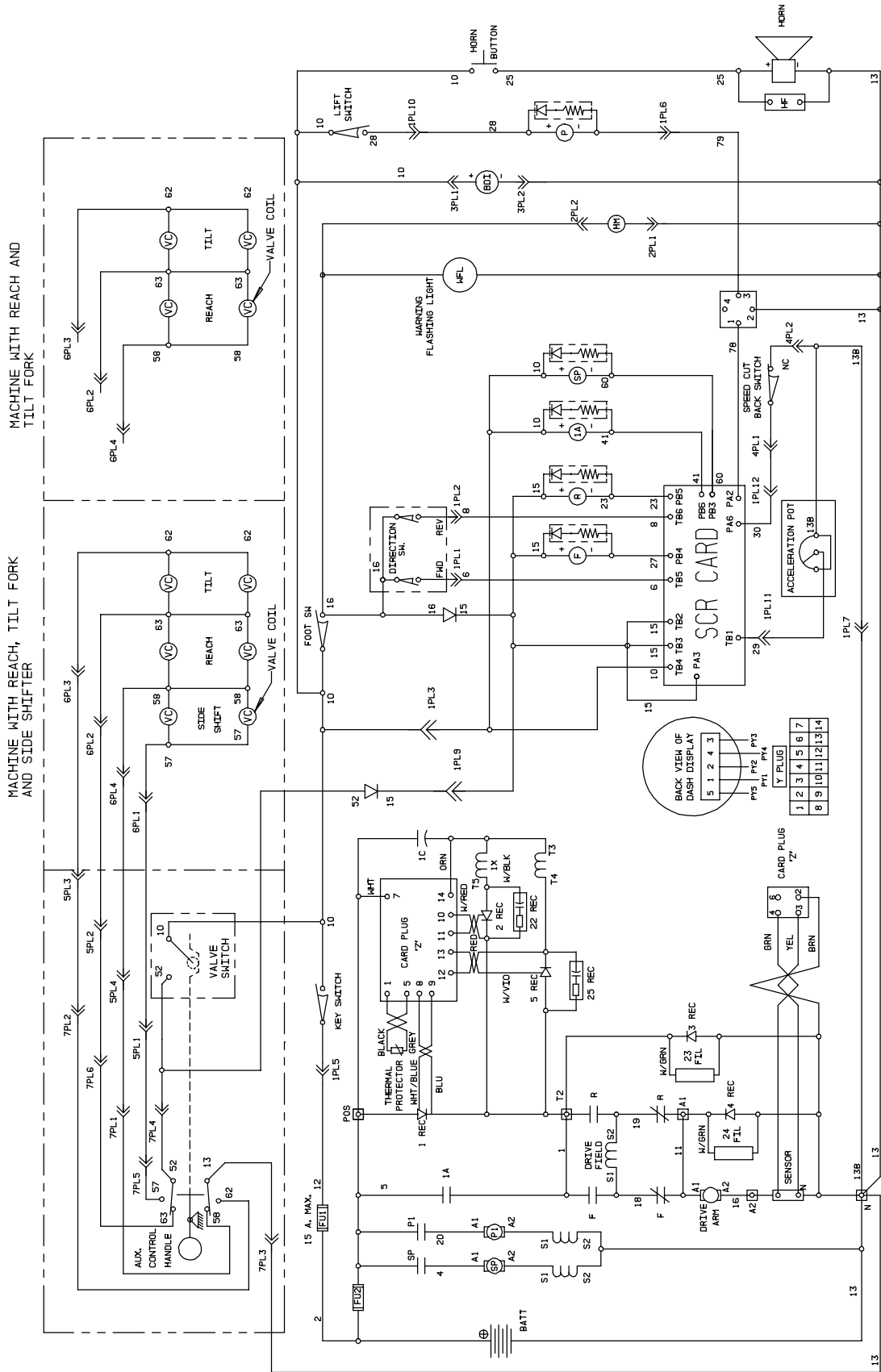


FIGURE # 2.25 "E" EV-100LX TT SCR ELECTRICAL SCHEMATIC



"E" TT ELECTRICAL SCHEMATIC

FIGURE # 3.4 AUXILIARY CONTROL VALVE ASSEMBLY (41331-00)

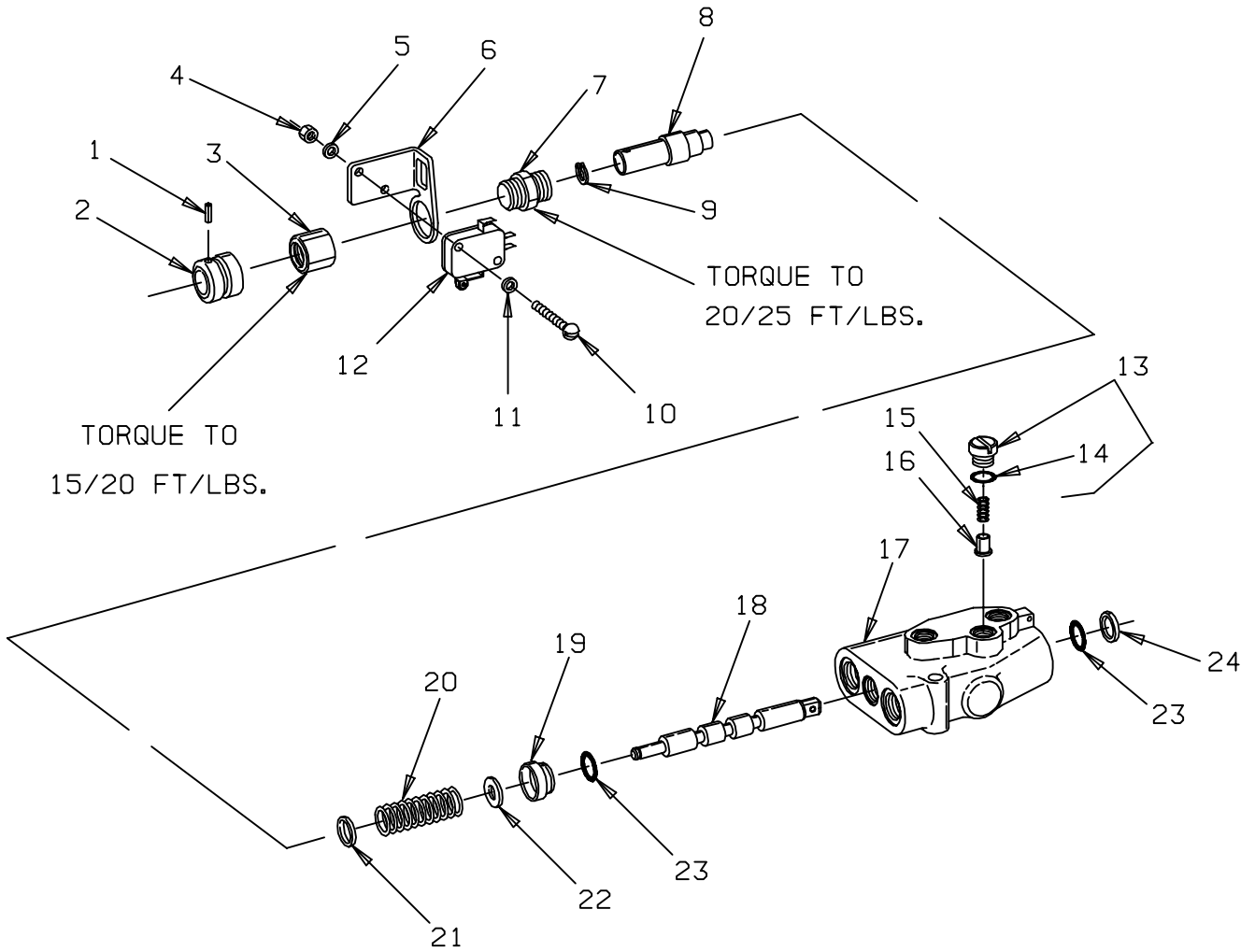


FIGURE # 3.9 TWO STAGE MAST HYDRAULIC ASSEMBLY

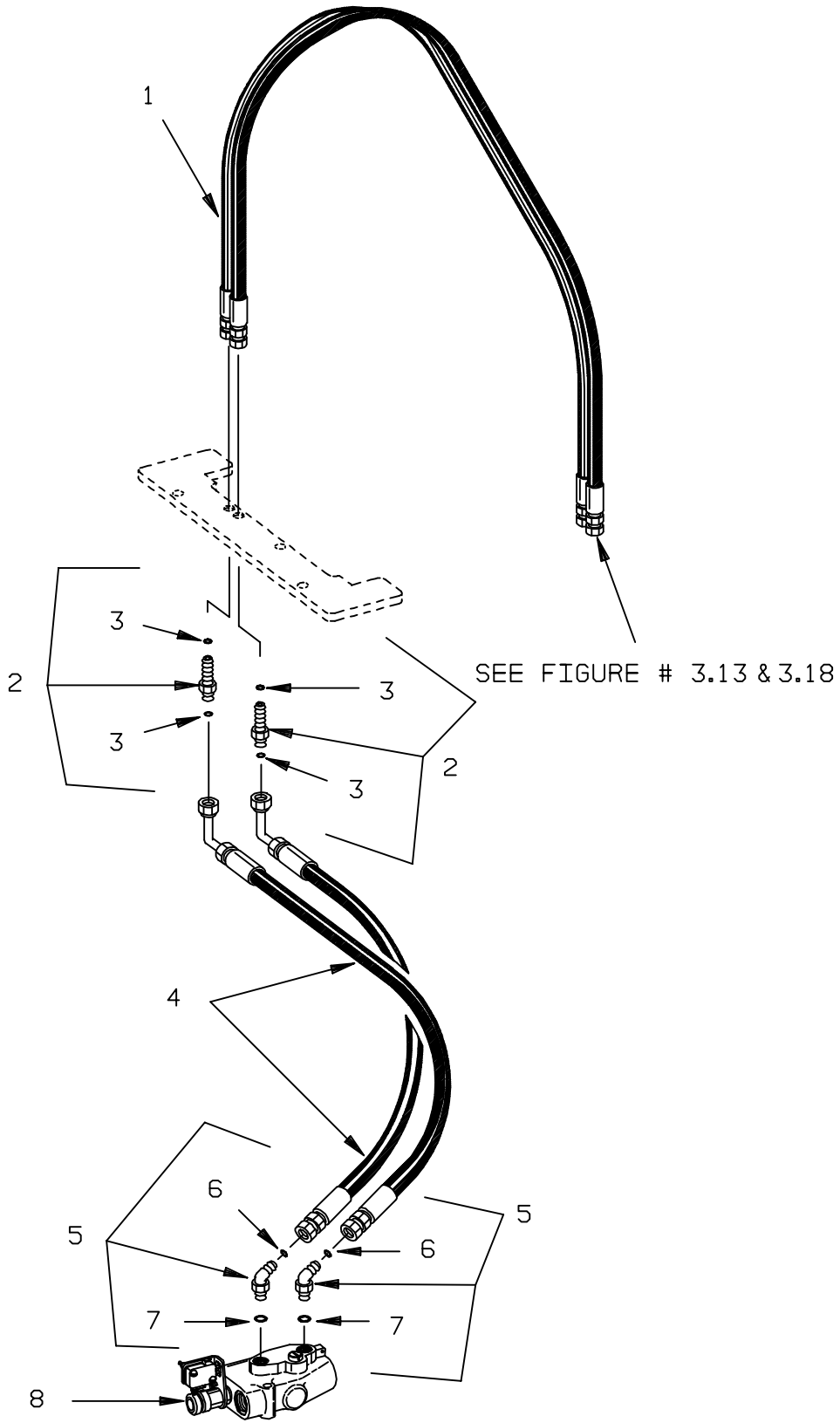


FIGURE # 3.14 SINGLE REACH, TILT AND SIDESHIFT HOSE INSTALLATION

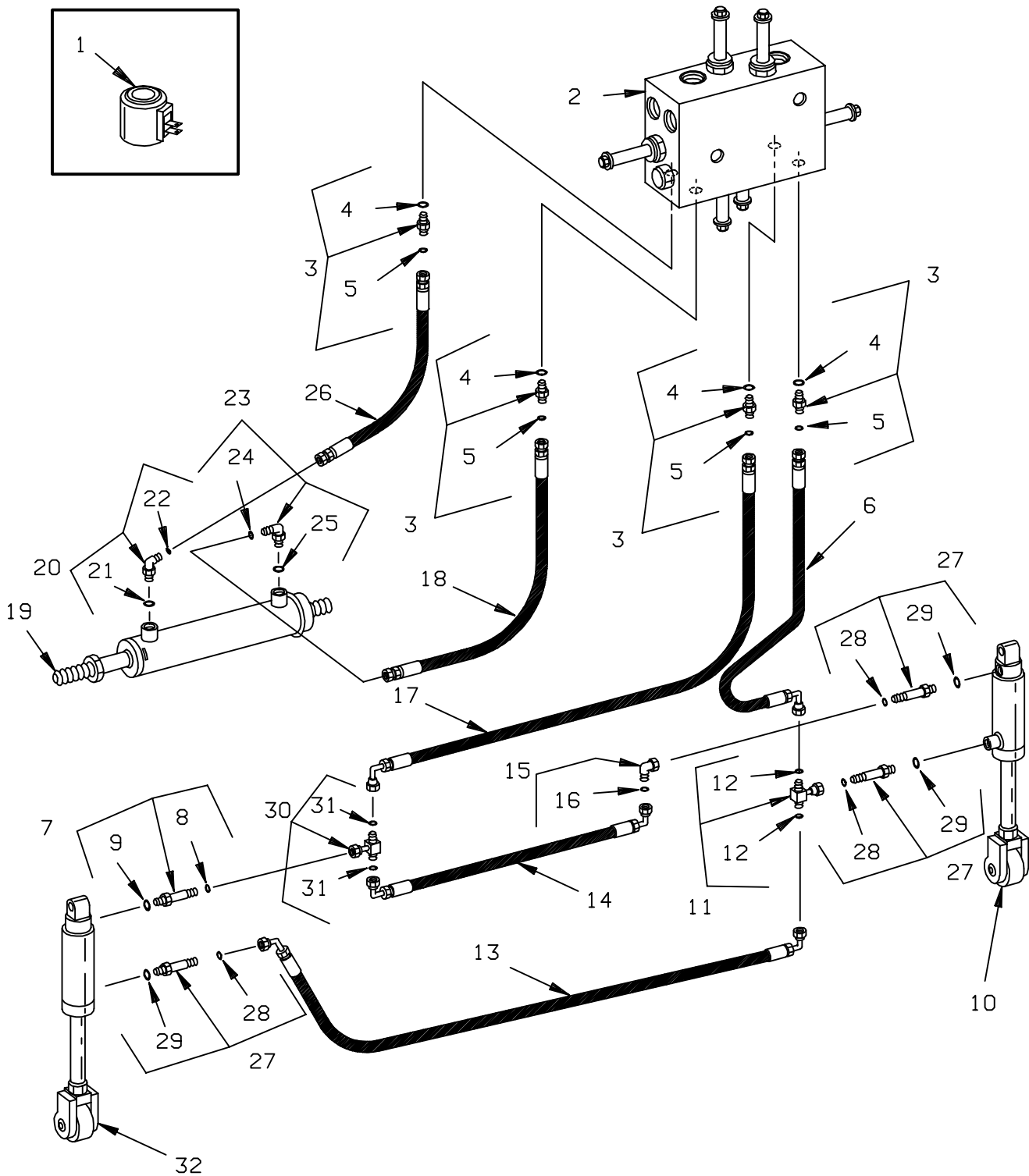


FIGURE # 3.19 DOUBLE REACH, TILT CYINDER ASSEMBLY (41561-00)

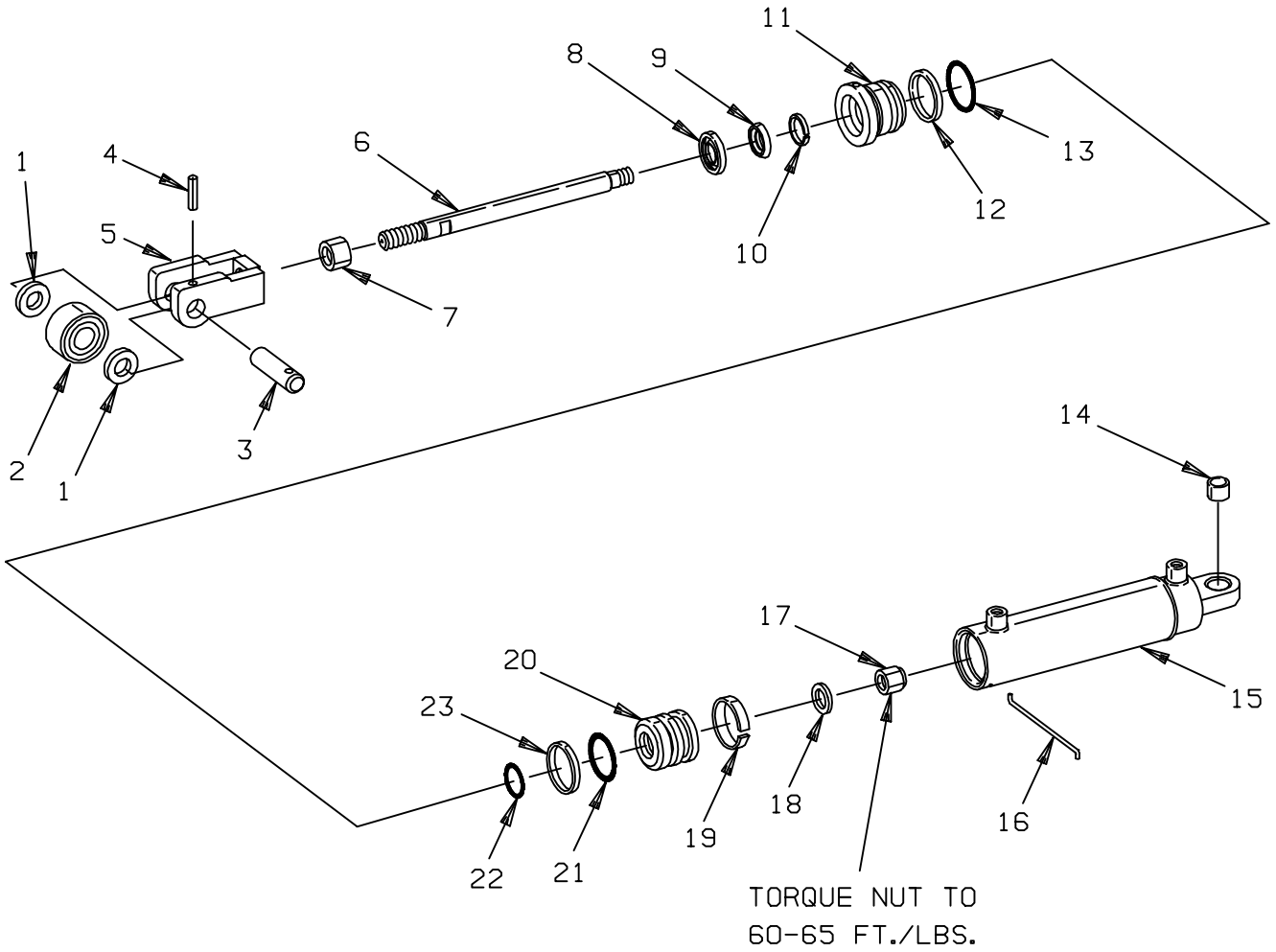


FIGURE # 3.24 LIFT CONTROL VALVE ASSEMBLY (41364-00)

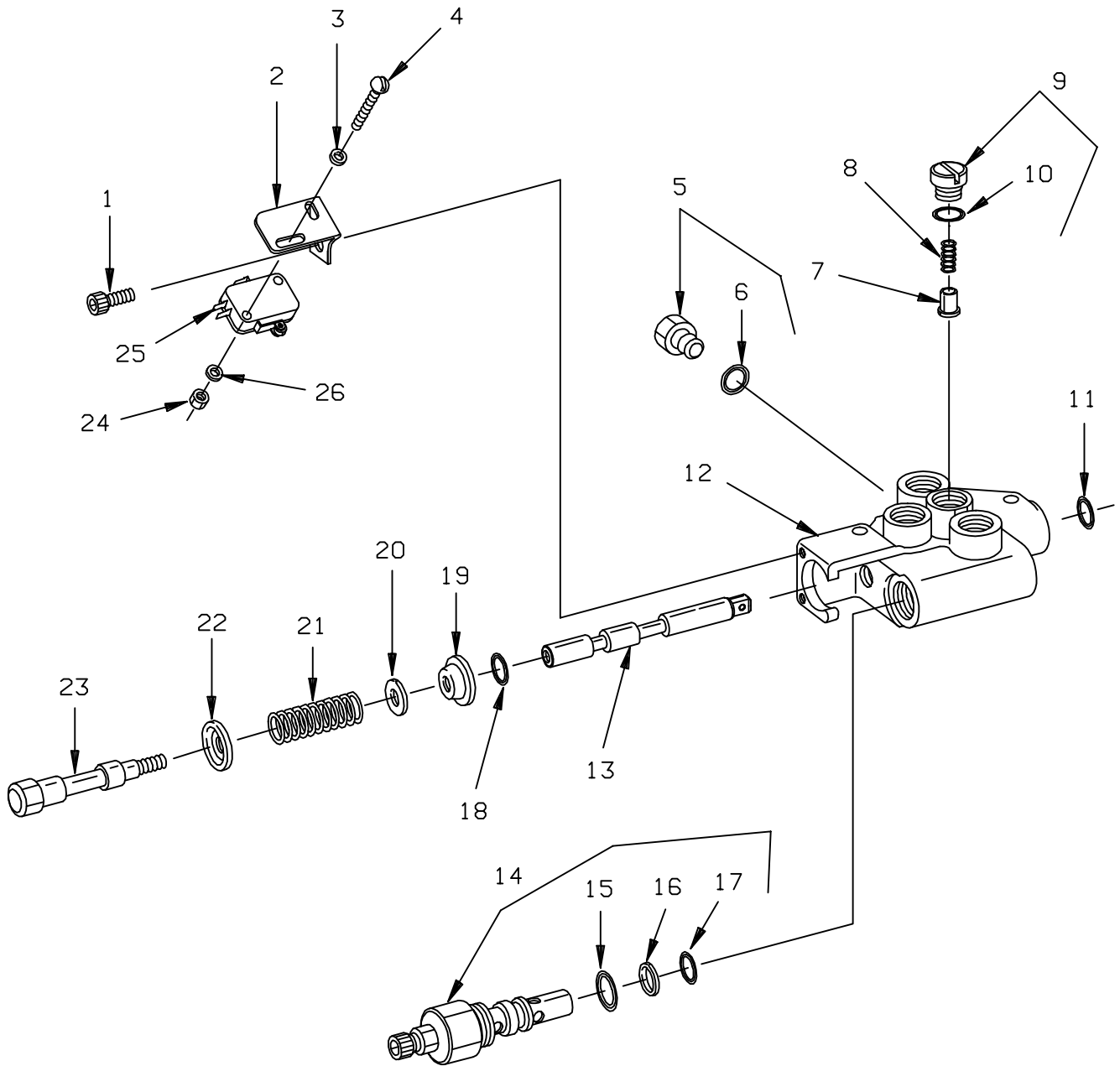


FIGURE # 3.29 THREE STAGE FREELIFT CYLINDER ASSEMBLY (40092-XX)

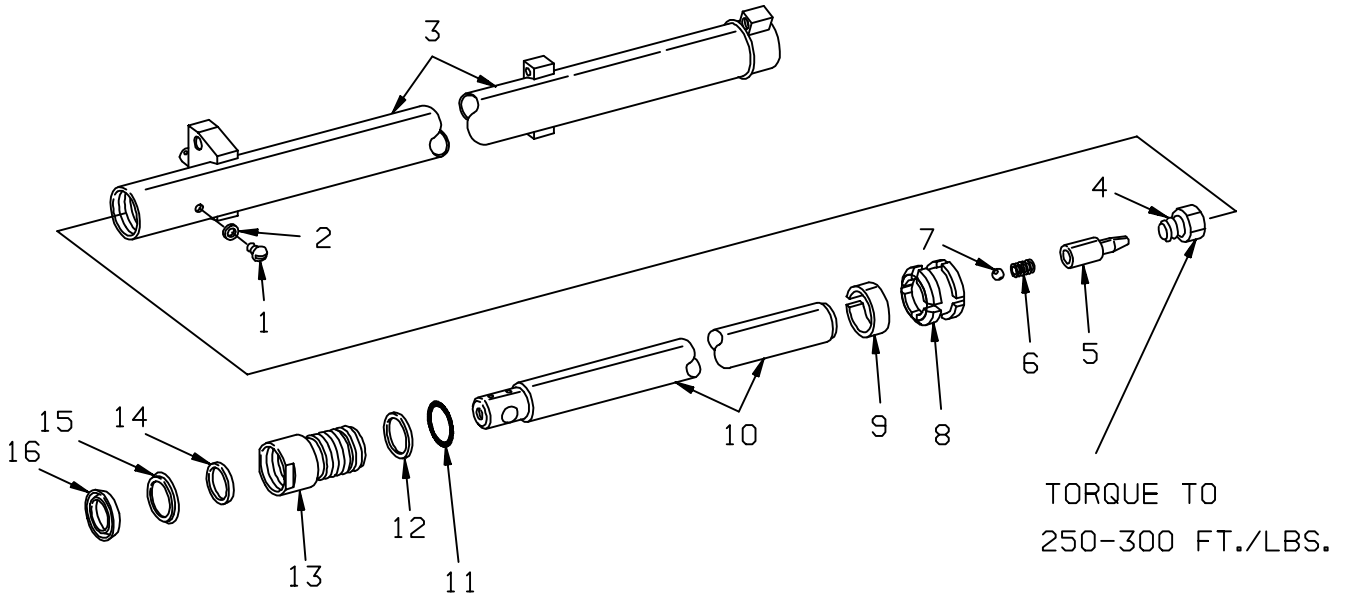


FIGURE # 4.5 FORWARD STEERING CONTROL ASSEMBLY

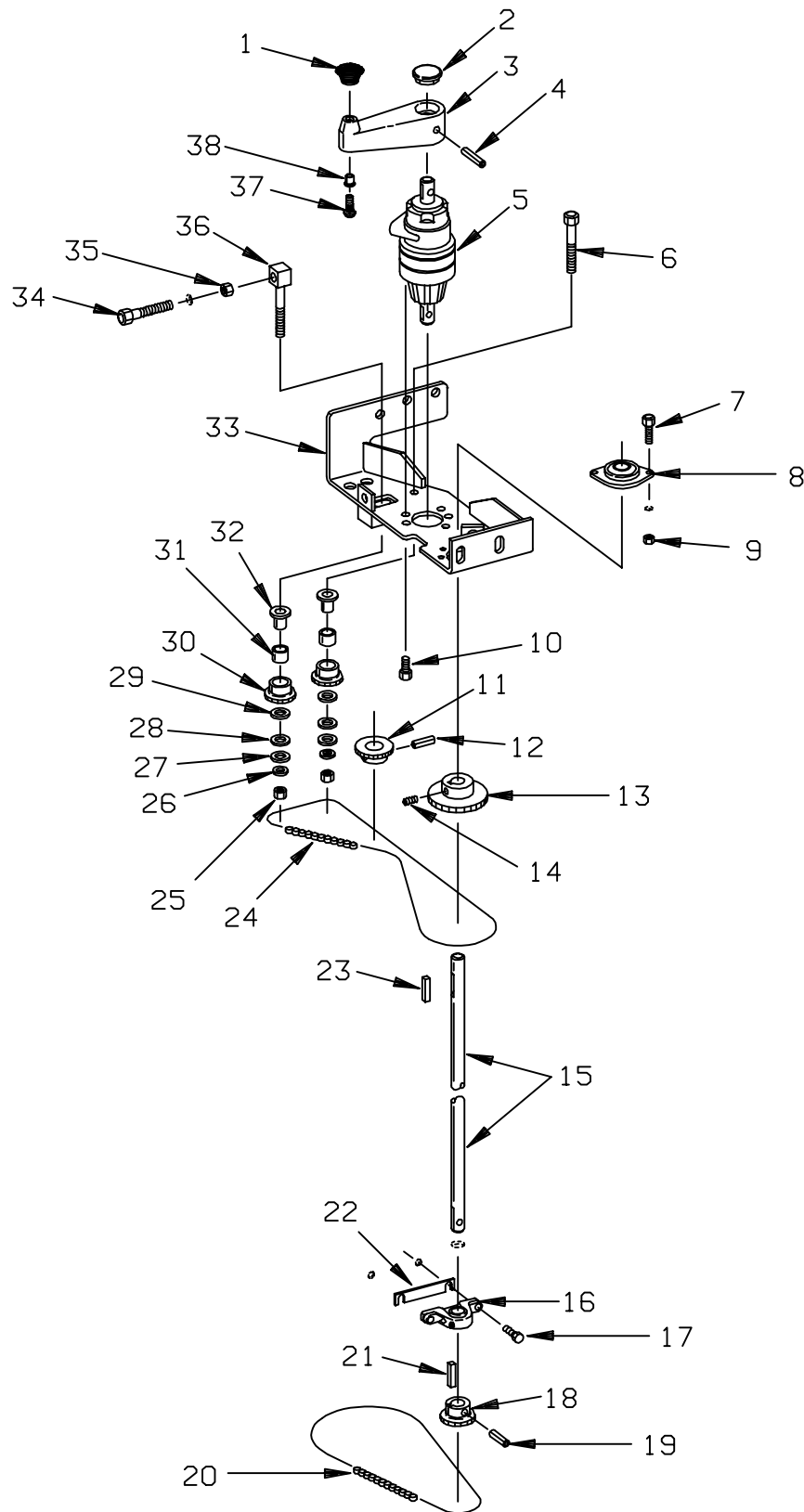


FIGURE # 4.10 5" HIGH ARTICULATING LOAD WHEEL ASSEMBLY

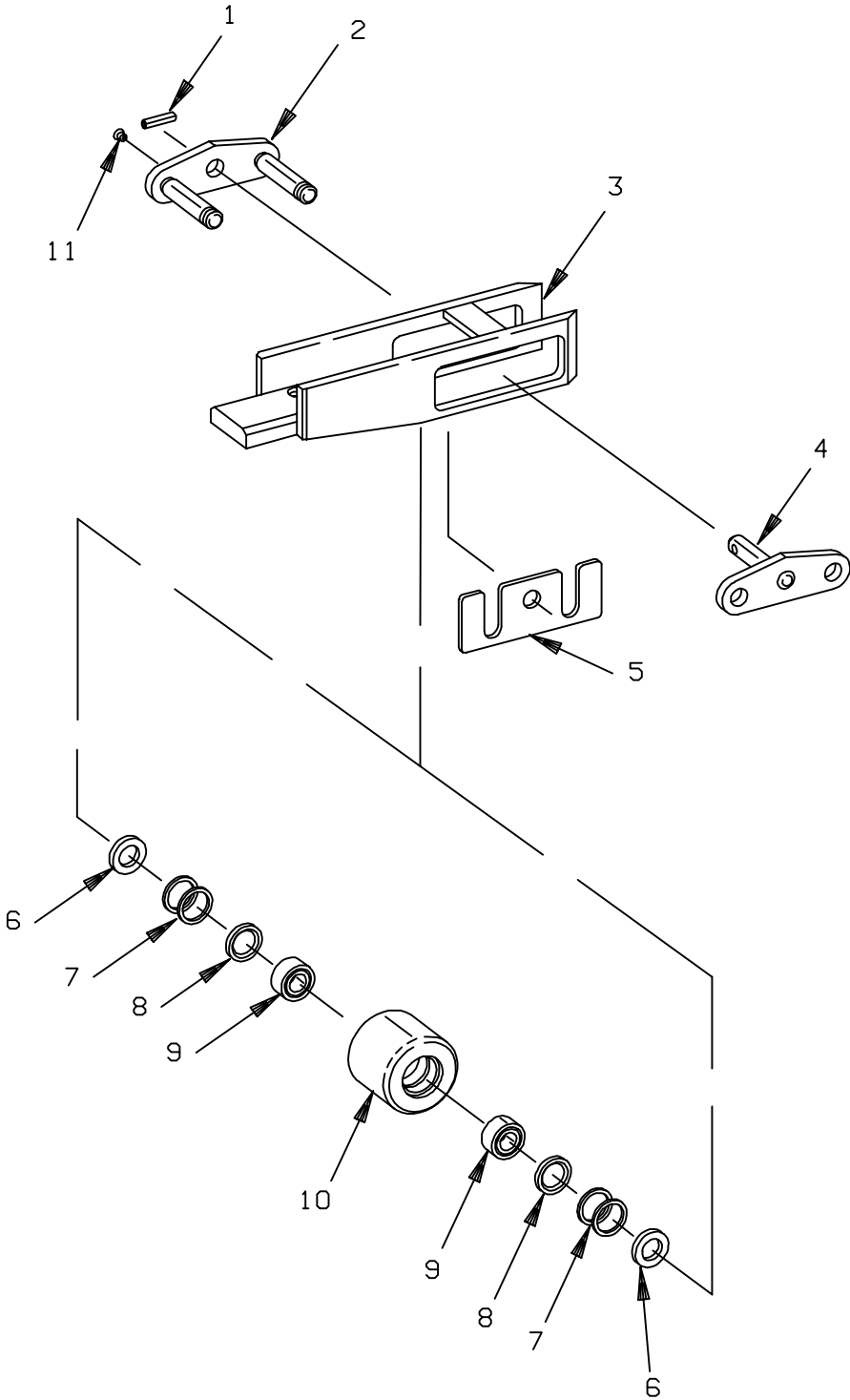


FIGURE # 5.3 TWO STAGE OUTER COLUMN ASSEMBLY

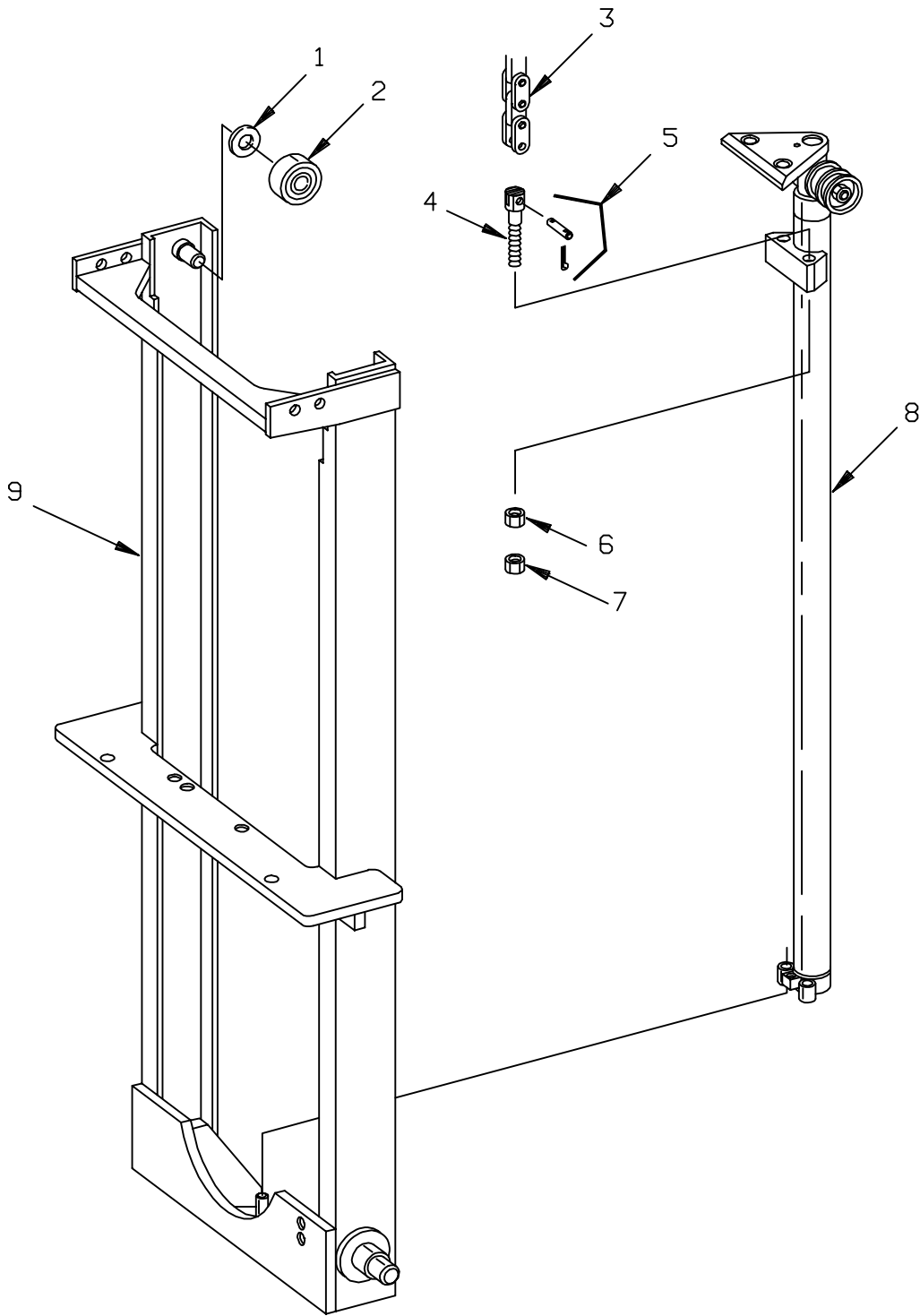


FIGURE # 5.8 TWO STAGE DOUBLE REACH FRONT FRAME ASSEMBLY

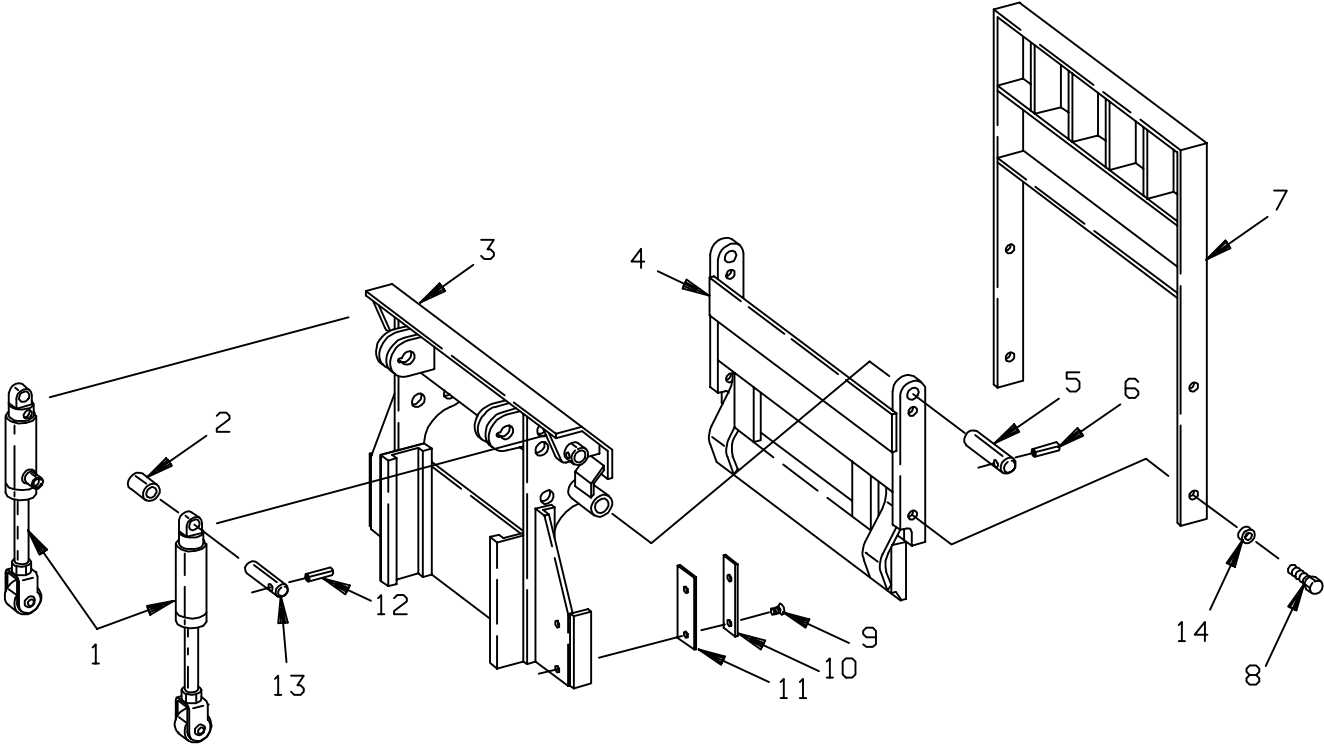


FIGURE # 5.13 THREE STAGE FREELIFT CYLINDER INSTALLATION

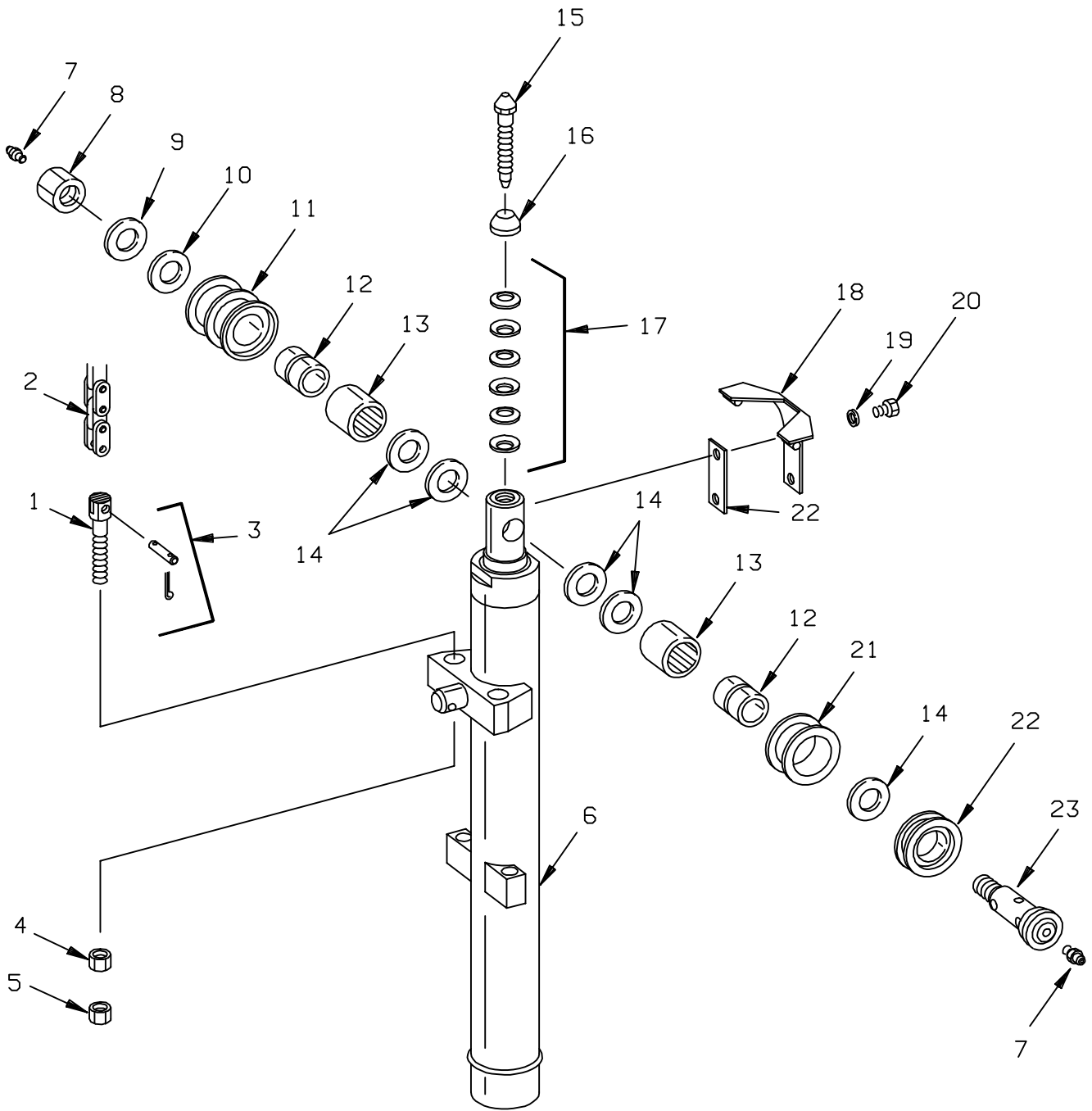


FIGURE # 5.18 THREE STAGE DOUBLE REACH ASSEMBLY

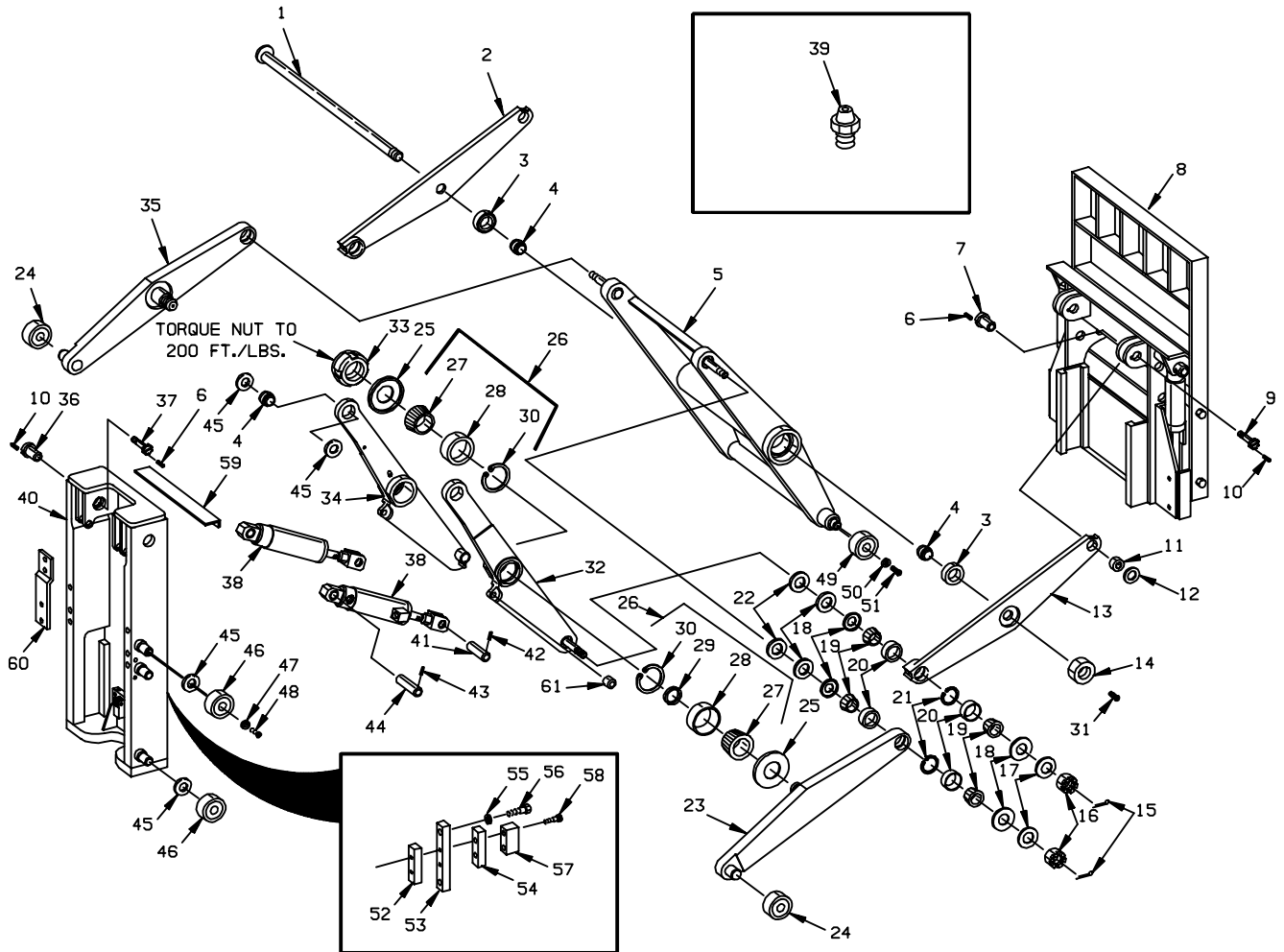


FIG #	ITEM #	PART #	NAME	# FOR ASSY.	UNIT
5.18	1	41501-00	Rod	1	
5.18	2	41510-00	Arm	1	
5.18	3	40104-00	Bearing, thrust	2	
5.18	4	40103-00	Bearing	2	
5.18	5	41408-00	Arm	1	
5.18	6	11073-35	Pin, roll	4	
5.18	7	40357-01	Pin	2	

FIGURE # 6.3 THREE STAGE FORK ASSEMBLY (25008-XX)

NOTE: USE HEAT CONDUCTING MATERIAL FROM DOW #340 BETWEEN THE BACK PLATE AND COMPONENT PARTS.

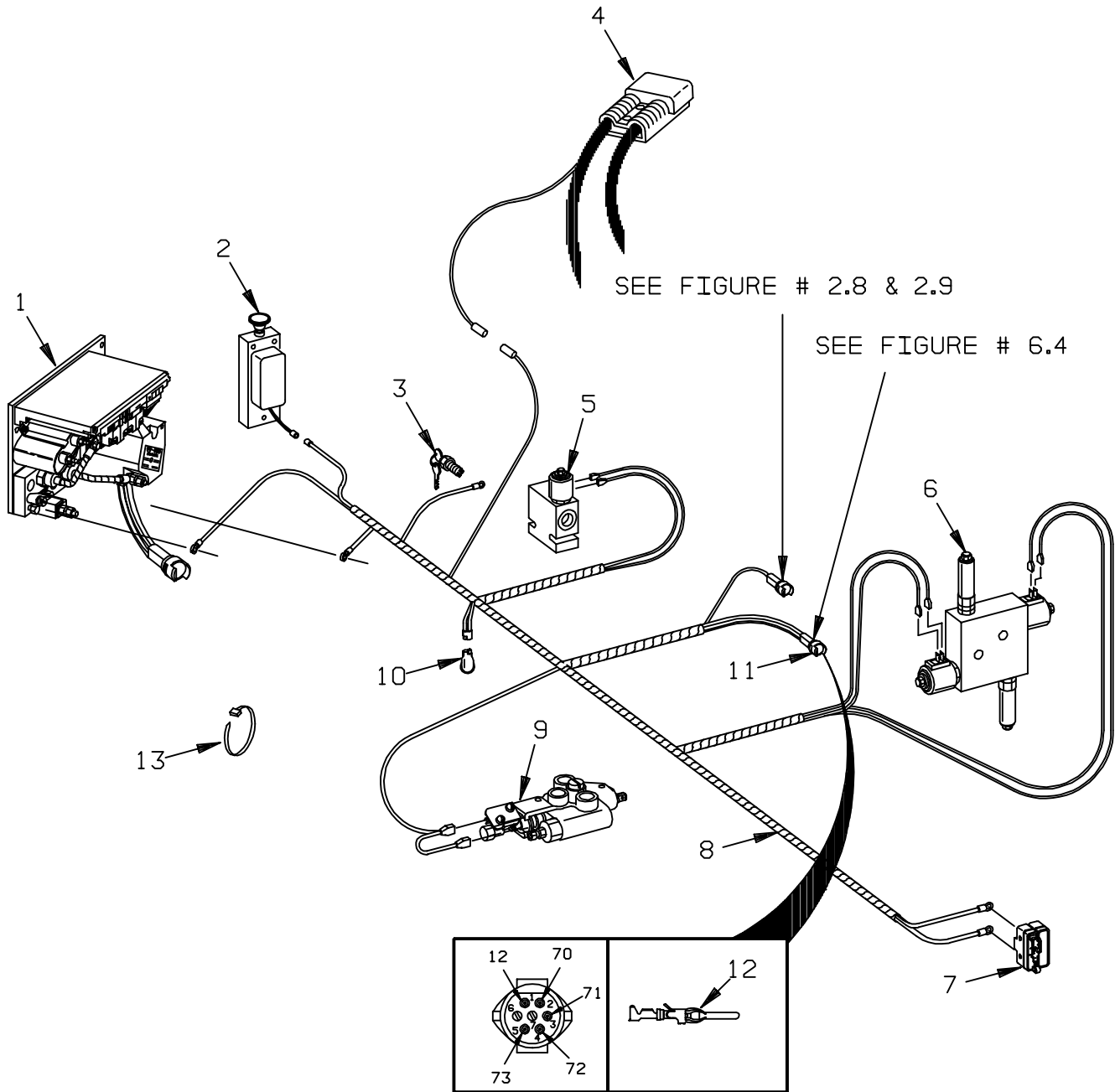


FIGURE # 6.8 MANLIFT HYDRAULIC SCHEMATIC

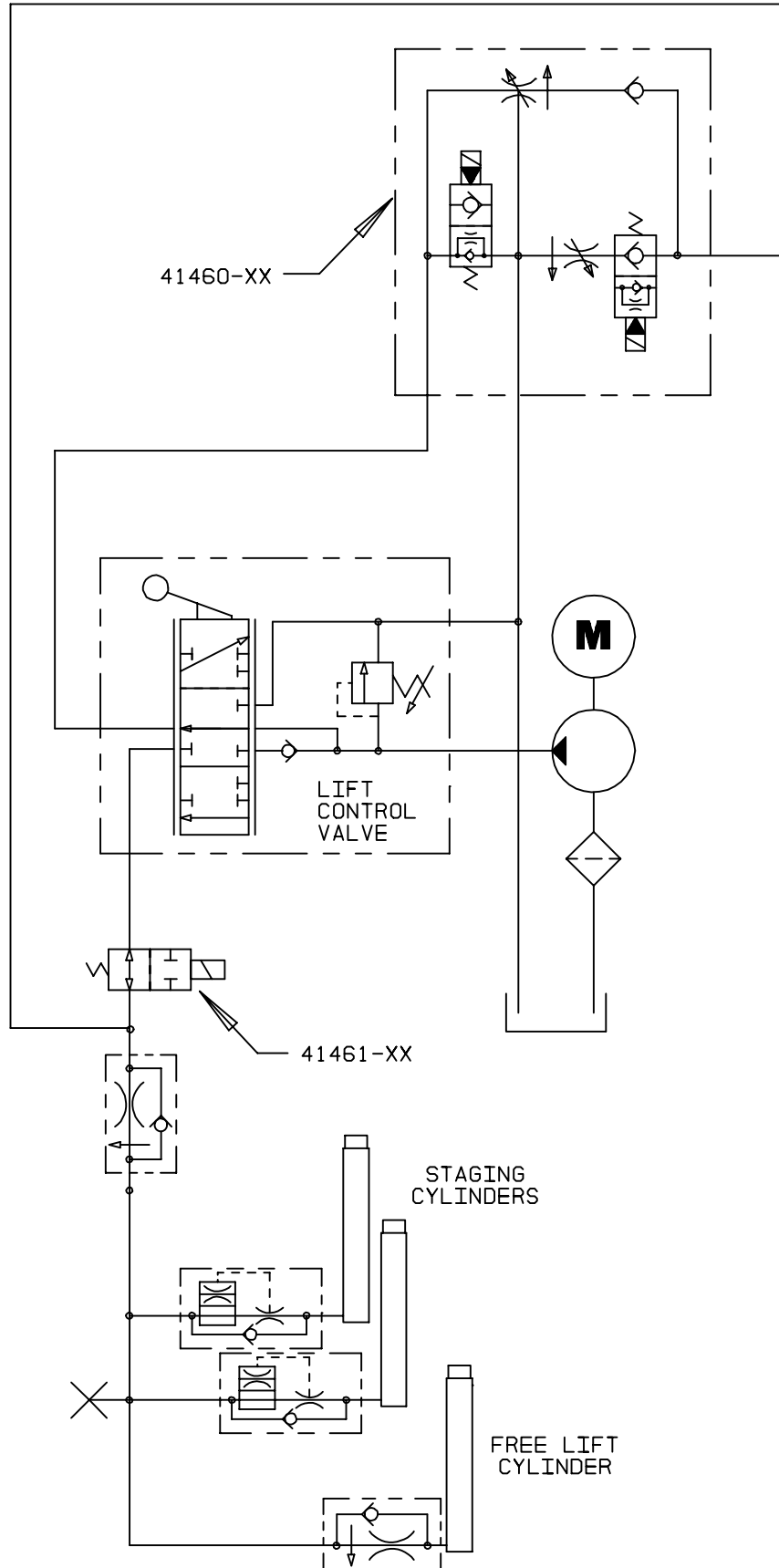
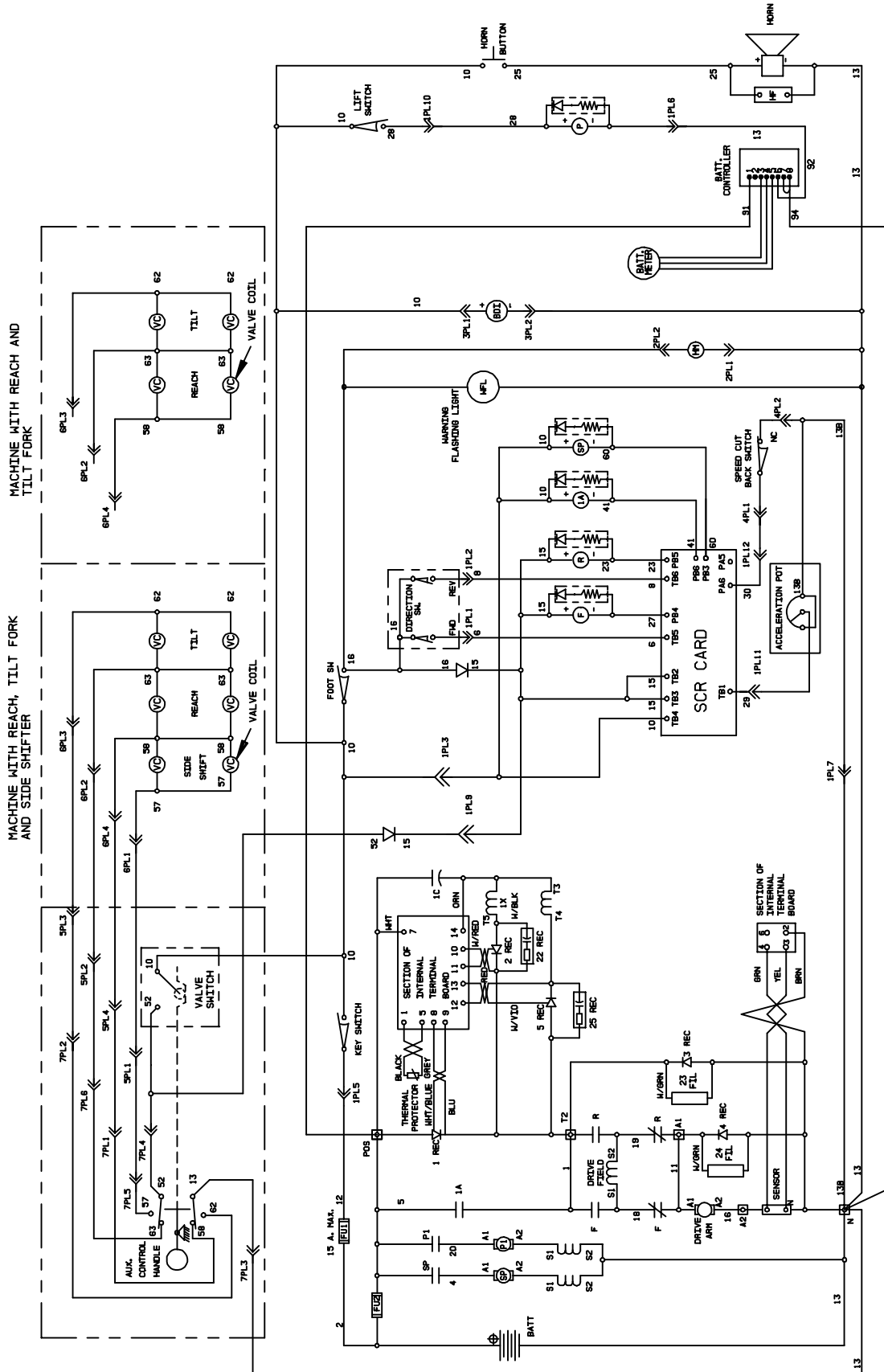


FIGURE # 7.1 BATTERY LIFT INTERRUPT "E" EV-100LX SCR ELECTRICAL SCHEMATIC



“E” ELECTRICAL SCHEMATIC

MODEL RR-34 ELECTRIC REACH TRUCK

NUMERICAL INDEX

<u>PART #</u>	<u>FIG. #</u>	<u>ITEM #</u>	<u>PART #</u>	<u>FIG.#</u>	<u>ITEM #</u>
11057-03	4.6	21	11143-04	5.14	9
11057-03	4.5	23	11143-05	1.2	37
11057-13	1.4	3	11143-05	3.21	3
11073-04	5.8	12	11143-05	4.4	39
11073-04	5.6	12	11143-05	4.7	1
11073-04	5.16	25	11143-05	4.6	*
11073-04	5.5	25	11143-06	1.2	36
11073-04	5.17	12	11143-06	4.7	3
11073-04	5.19	12	11143-08	3.7	8
11073-06	4.6	4	11143-16	4.2	10
11073-06	4.5	4	11143-19	5.11	4
11073-11	4.6	12	11160-01	1.3	1
11073-11	4.5	12	11160-09	4.11	12
11073-14	4.3	22	11160-09	4.10	11
11073-16	3.19	4	11160-09	4.9	5
11073-16	3.15	4	11160-09	5.4	12
11073-19	1.4	36	11160-09	5.13	7
11073-19	5.20	3	11160-11	4.12	10
11073-19	5.9	3	11160-11	5.16	19
11073-20	4.3	10	11160-11	5.14	12
11073-20	5.12	7	11160-11	5.5	19
11073-22	5.16	12	11160-12	5.18	39
11073-22	5.5	12	11160-12	5.7	39
11073-23	4.12	11	11170-04	2.12	5
11073-23	5.8	6	11170-04	4.2	14
11073-23	5.17	6	11170-04	6.6	1
11073-23	5.6	6	11170-05	2.6	16
11073-23	5.19	6	11170-05	2.24	*
11073-26	4.1	9	11170-05	4.6	9
11073-27	4.5	19	11170-05	4.4	21
11073-27	4.6	19	11170-06	1.2	32
11073-32	4.9	1	11170-06	2.9	6
11073-33	4.10	1	11170-06	4.8	17
11073-35	5.7	6	11170-06	4.4	41
11073-35	5.18	6	11170-06	5.11	7
11073-35	5.5	1	11170-06	6.4	6
11073-35	5.16	1	11170-08	4.5	25
11073-39	5.18	42	11170-08	4.1	5
11073-39	5.7	42	11170-12	5.1	2
11073-40	5.7	43	11170-12	5.11	2
11073-40	5.18	43	11176-01	2.14	9
11074-10	5.1	24	11176-20	2.5	16
11076-33	4.11	1	11176-20	2.14	7
11129-03	4.4	47	11205-01	4.12	21
11129-05	1.2	28	11205-08	4.9	8
11135-06	4.2	8	11205-13	1.4	7
11143-02	4.7	7	11205-14	1.4	11
11143-03	1.2	35	11205-15	1.3	7
11143-03	1.3	4	11205-16	1.4	38
11143-03	1.4	17	11205-18	1.3	20
11143-03	5.13	20	11205-21	4.10	9
11143-04	1.4	22	11205-21	4.11	9

MODEL RR-34 ELECTRIC REACH TRUCK

NUMERICAL INDEX

<u>PART #</u>	<u>FIG. #</u>	<u>ITEM #</u>	<u>PART #</u>	<u>FIG.#</u>	<u>ITEM #</u>
40465-00	4.9	9	40565-00	5.13	18
40467-00	5.11	12	40570-00	3.15	5
40467-01	5.1	21	40570-00	3.19	5
40472-00	5.1	25	40589-00	5.16	3
40472-00	5.11	22	40593-00	5.8	10
40473-00	1.3	10	40593-00	5.6	10
40473-00	1.4	4	40593-00	5.17	10
40482-01	4.4	2	40593-00	5.19	10
40486-00	5.11	13	40641-00	5.19	4
40486-01	5.4	26	40641-00	5.6	4
40488-00	3.13	1	40641-00	5.8	4
40492-00	3.13	3	40641-00	5.17	4
40495-00	3.13	6	40676-00	4.4	11
40495-00	3.18	5	40677-00	4.3	24
40499-00	5.8	2	40679-00	4.3	4
40499-00	5.19	2	40688-00	1.3	2
40499-00	5.6	2	40721-00	4.12	22
40499-00	5.17	2	40743-00	4.1	11
40507-00	3.20	4	40743-01	4.1	11
40514-00	5.1	1	40754-00	1.3	28
40518-01	5.3	9	40756-00	1.3	24
40518-02	5.3	9	40762-00	4.12	18
40518-03	5.3	9	40768-00	4.12	19
40518-04	5.3	9	40768-01	4.12	19
40527-01	5.2	3	40779-01	4.5	36
40527-02	5.2	3	40780-00	4.5	30
40527-03	5.2	3	40781-00	4.5	34
40527-04	5.2	3	40782-00	4.5	15
40534-01	3.25	13	40782-00	4.6	15
40534-01	5.4	13	40783-00	4.6	13
40534-02	3.25	13	40783-00	4.5	13
40534-02	5.4	13	40785-00	1.2	34
40534-03	3.25	13	40786-00	1.2	27
40534-03	5.4	13	40786-01	4.1	7
40534-04	3.25	13	40788-00	1.2	30
40534-04	5.4	13	40790-00	1.2	39
40535-01	3.26	3	40791-00	1.2	38
40535-02	3.26	3	40792-00	1.2	23
40535-04	3.26	3	40795-01	3.3	25
40539-01	3.26	10	40795-01	4.6	5
40539-02	3.26	10	40795-01	4.5	5
40539-03	3.26	10	40796-00	4.7	2
40539-04	3.26	10	40806-00	4.1	6
40540-00	5.4	3	40816-00	5.6	17
40542-00	5.4	1	40828-00	1.4	16
40544-00	5.1	12	40829-00	1.4	19
40544-01	5.1	13	40857-00	4.11	5
40547-00	5.1	8	40859-00	4.11	4
40548-00	5.16	28	40860-00	4.11	2
40548-00	5.18	47	40865-00	4.11	3
40548-00	5.7	47	40868-02	4.11	10
40548-00	5.5	28	40891-01	3.27	29

CLICK HERE TO **DOWNLOAD** THE COMPLETE MANUAL

- Thank you very much for reading the preview of the manual.
- You can download the complete manual from: www.heydownloads.com by clicking the link below



- Please note: If there is no response to CLICKING the link, please download this PDF first and then click on it.

CLICK HERE TO **DOWNLOAD** THE COMPLETE MANUAL

PARTS ORDERING INSTRUCTIONS

HOW TO ORDER

When you order, supply the part number, quantity, model and serial numbers of your machine. Supplying this information will assure prompt, efficient handling of your order. The pictorial reference number is not needed and including it can only add confusion.

Since your dealer carries many parts in stock and maintains up-to-date prices on all parts, he will be able to process your order immediately. If, for some reason, the part is not in stock, he will order it from the factory. In either event, he maintains a current file of service manuals, which give all available parts ordering or technical information.

All prices are FOB factory in Muscatine, Iowa. Shipping charges are added to the price of the part shipping from the factory.

WHERE TO ORDER

Always order parts from the dealer who sold you your BT PRIME-MOVER. If it is necessary for the dealer to order parts from the factory, he is able to get prompt service for you. Parts are shipped in accordance with shipping instructions given on the order.

INSTRUCTIONS FOR RETURNING PARTS

Under NO CIRCUMSTANCES will parts be accepted at the factory for credit without prior approval. THE BT PRIME-MOVER Co. cannot accept responsibility for parts returned without authorization.

If you have some parts which must be returned, contact your dealer. If he believes parts should be returned, he will arrange for authorization to return the parts.

FIELD MODIFICATIONS

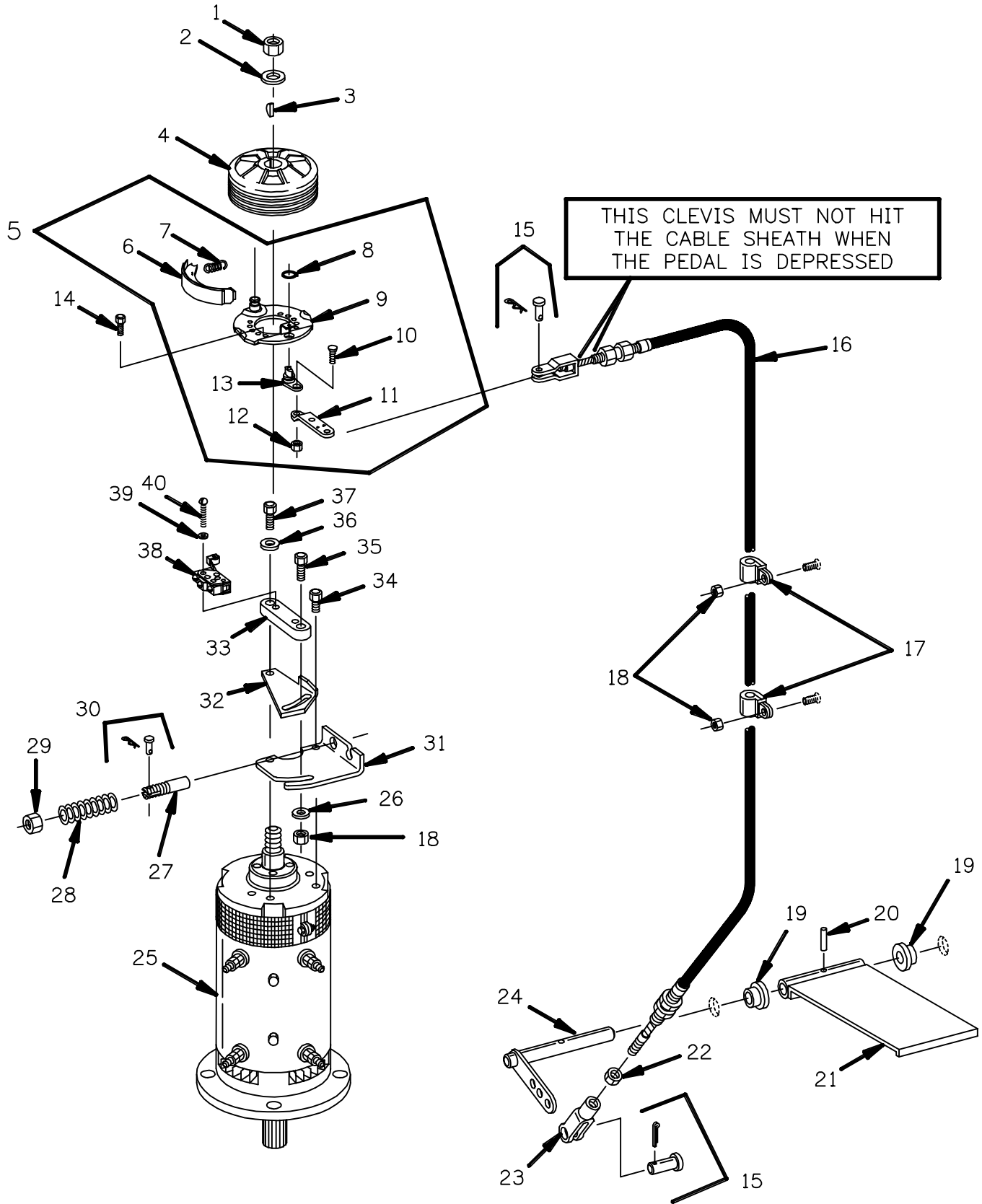
The regulations imposed by OSHA make it mandatory that alternation of industrial trucks be done only as approved in advance and in writing by the manufacturer. Their regulation apply to counter-weighting, changes in masts when such changes affect capacity and any other safety modifications. It is mandatory that nameplate and instructions be changed accordingly (1910.178 (a)(4)).

BT PRIME-MOVER will approve such changes requested as we can properly evaluate and rerate as to capacity. Normally a change will be evaluated upon receipt of a written request with full particulars including truck and mast serial number, proposed changes, new heights of lift, etc.

If the change is approved, authorization will be sent as will new nameplates or other labeling where appropriate. The new nameplates should be installed over the earlier nameplate.

The modifier should send confirmation of the change to the factory along with pictures of the revised truck.

FIGURE # 1.2 DRIVE MOTOR AND BRAKE ASSEMBLY



EFFECTIVE SERIAL NUMBER 224819

FIGURE # 2.5 WIRING ASSEMBLY FOR COLD STORAGE

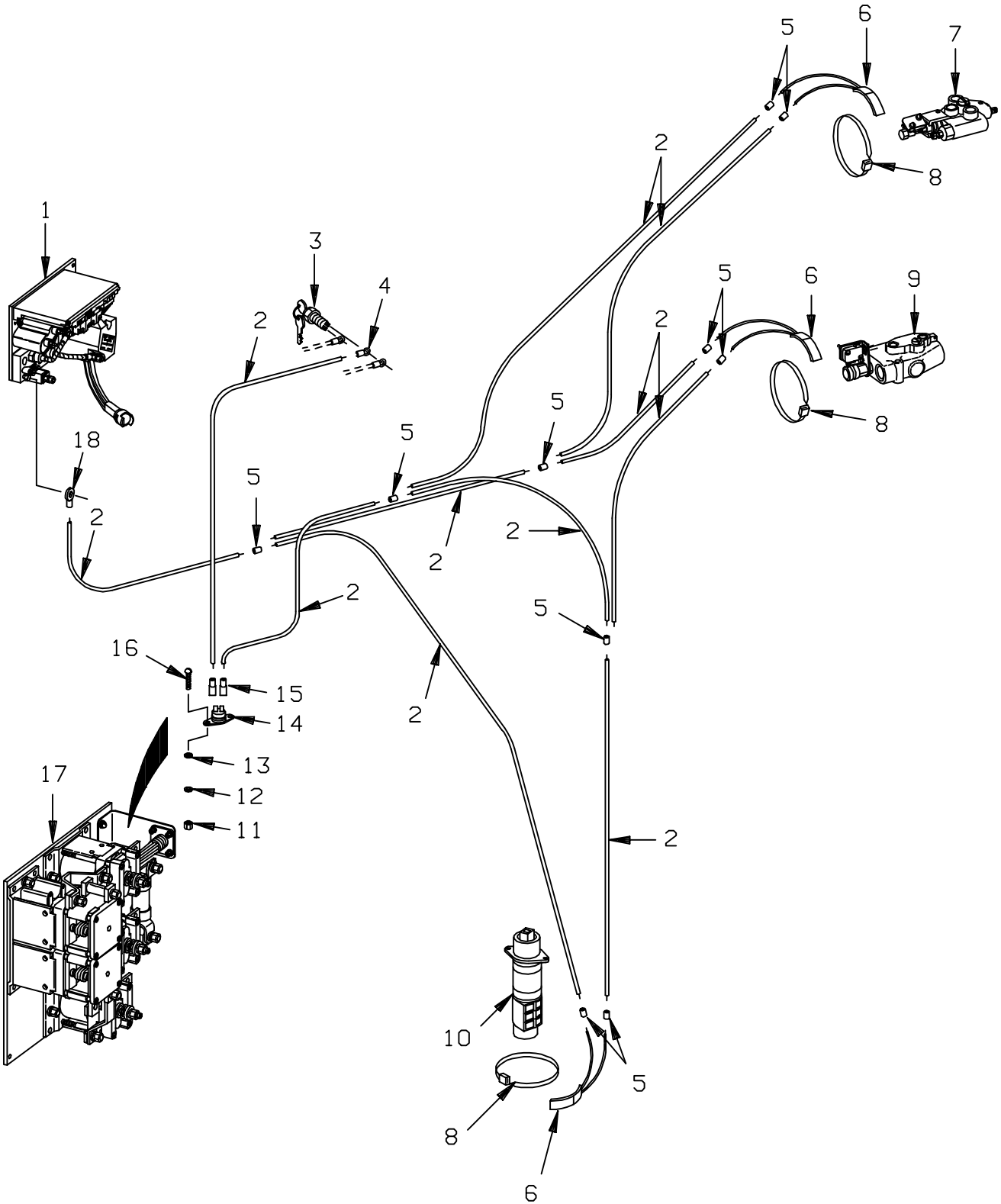


FIGURE # 2.15 EV-100LX SCR FORWARD & REARWARD CONTACTOR ASSEMBLY (27692-00)

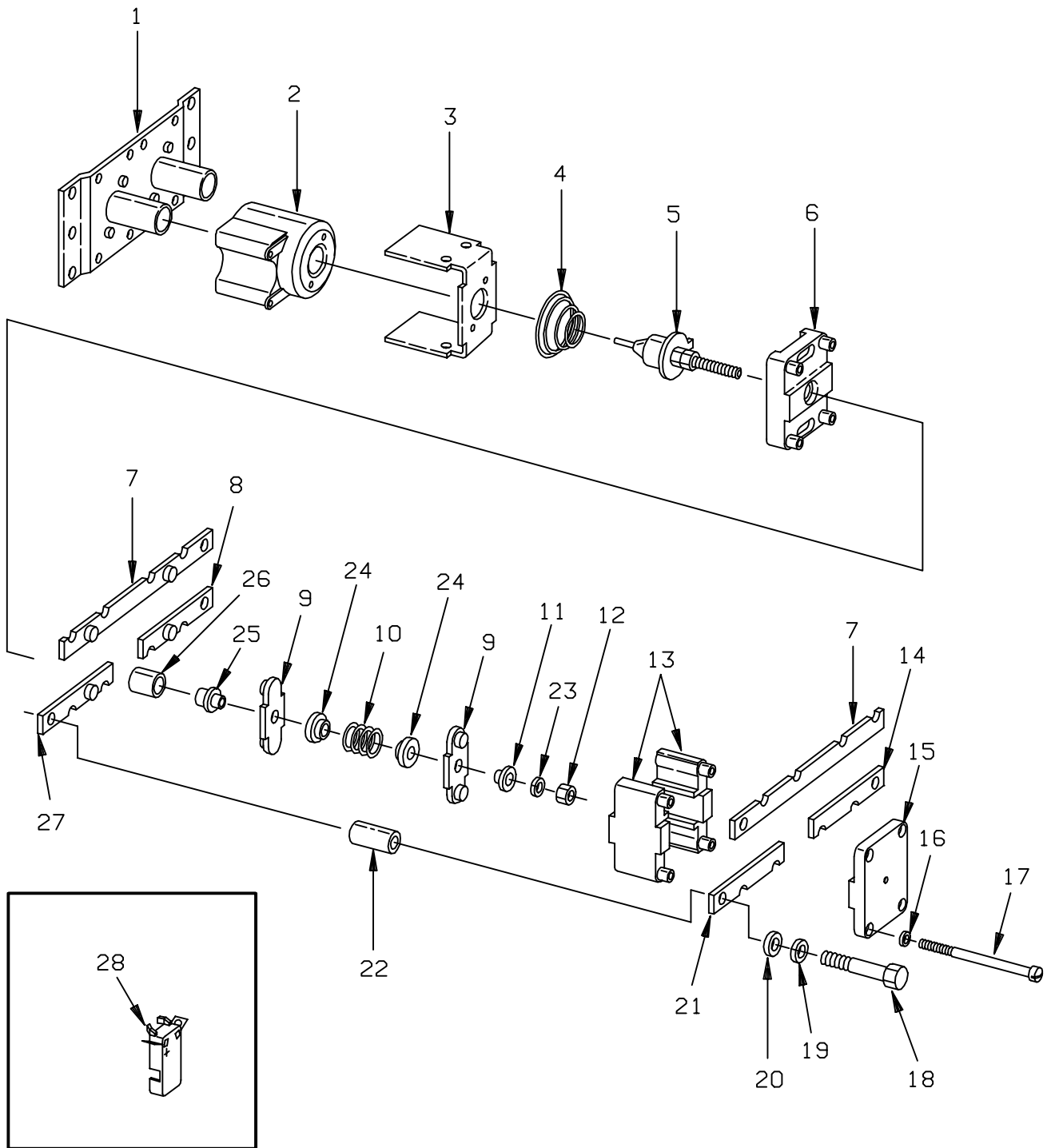


FIGURE # 2.20 "E"&"EE" 24 VOLT LIFT PUMP MOTOR ASSY. (27900-00, 5BT1324B54) G.E.

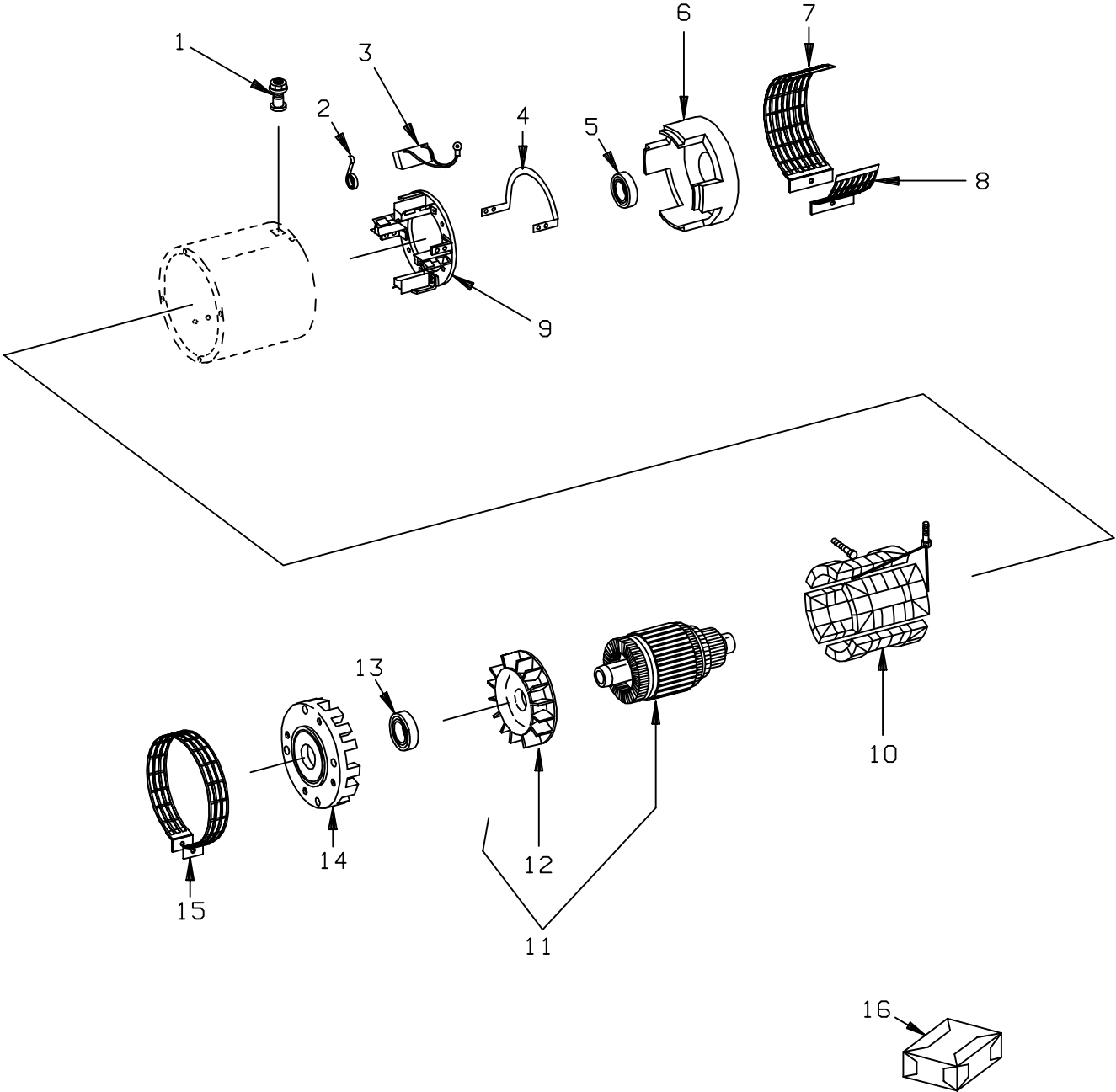


FIGURE # 2.25 WARNING LIGHT ASSEMBLY (29030-01, 24 VOLT) (29030-03, 36 VOLT)

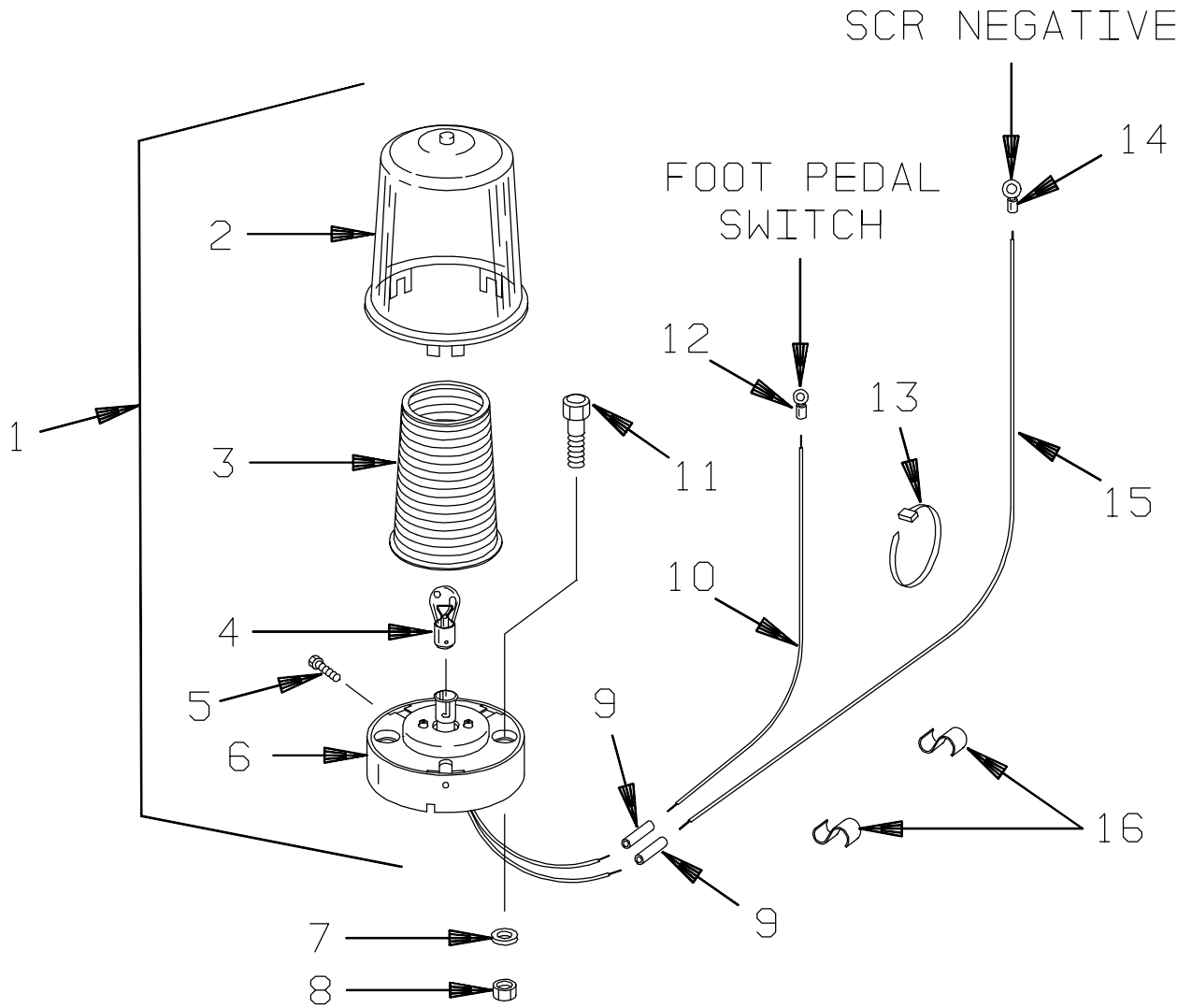
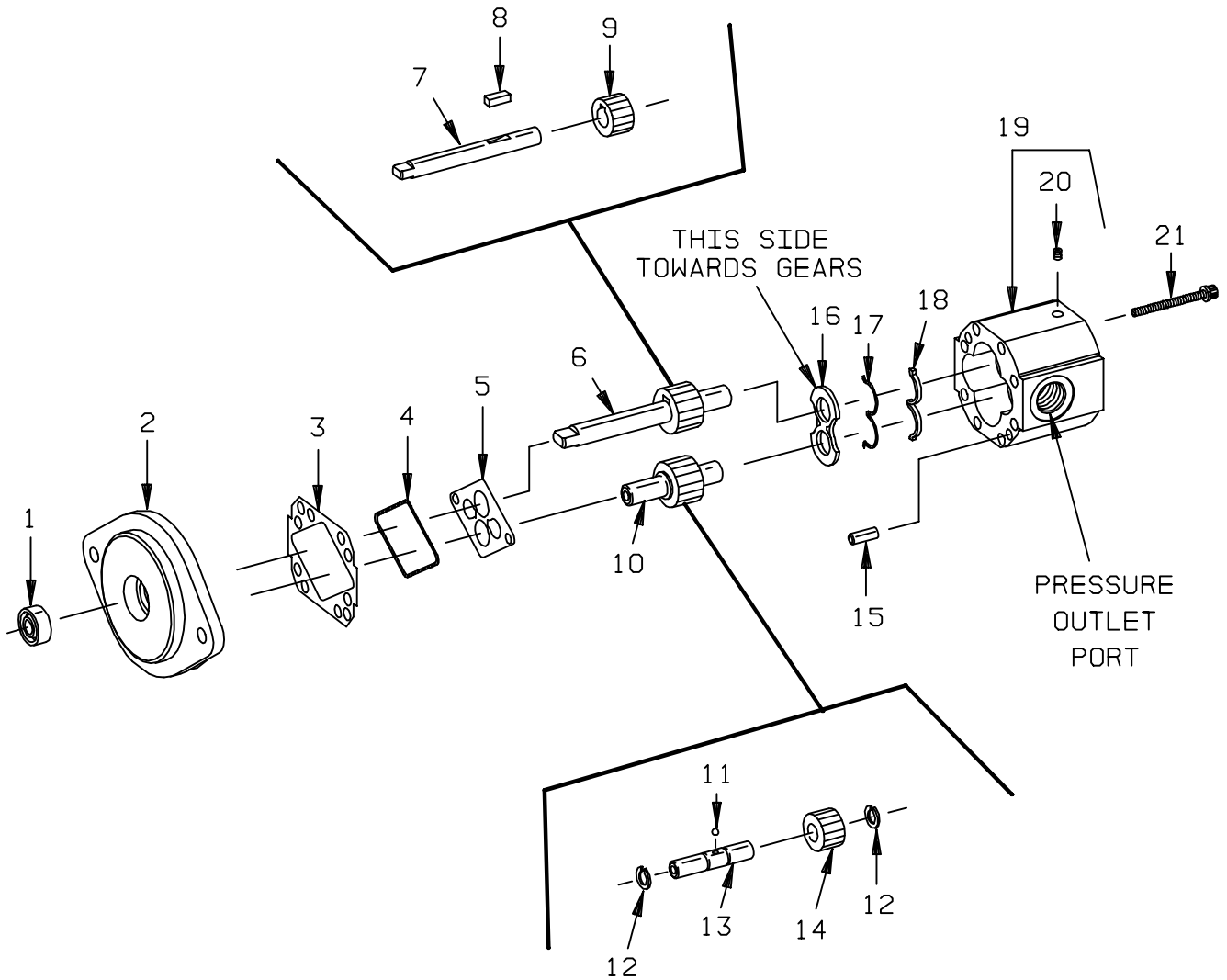


FIGURE # 3.6 AUXILIARY PUMP ASSEMBLY



NOTE:
Coat with "PERMATEX AVIATION FORM-A-GASKET No. 3" between sections.

FIGURE # 3.11 SINGLE REACH, REACH CYLINDER HOSE INSTALLATION

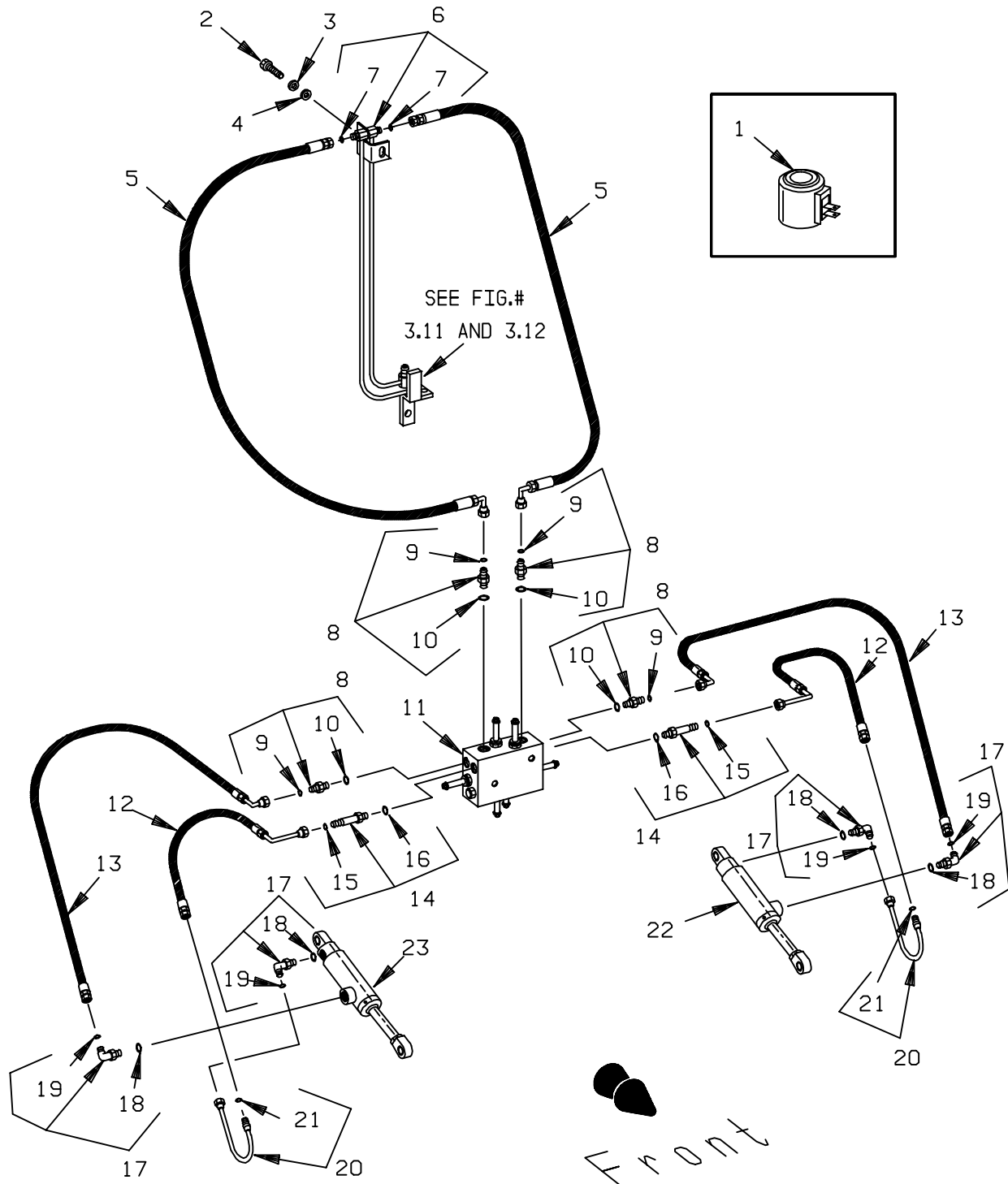


FIGURE # 3.16 LIFT PUMP AND RESERVOIR ASSEMBLY

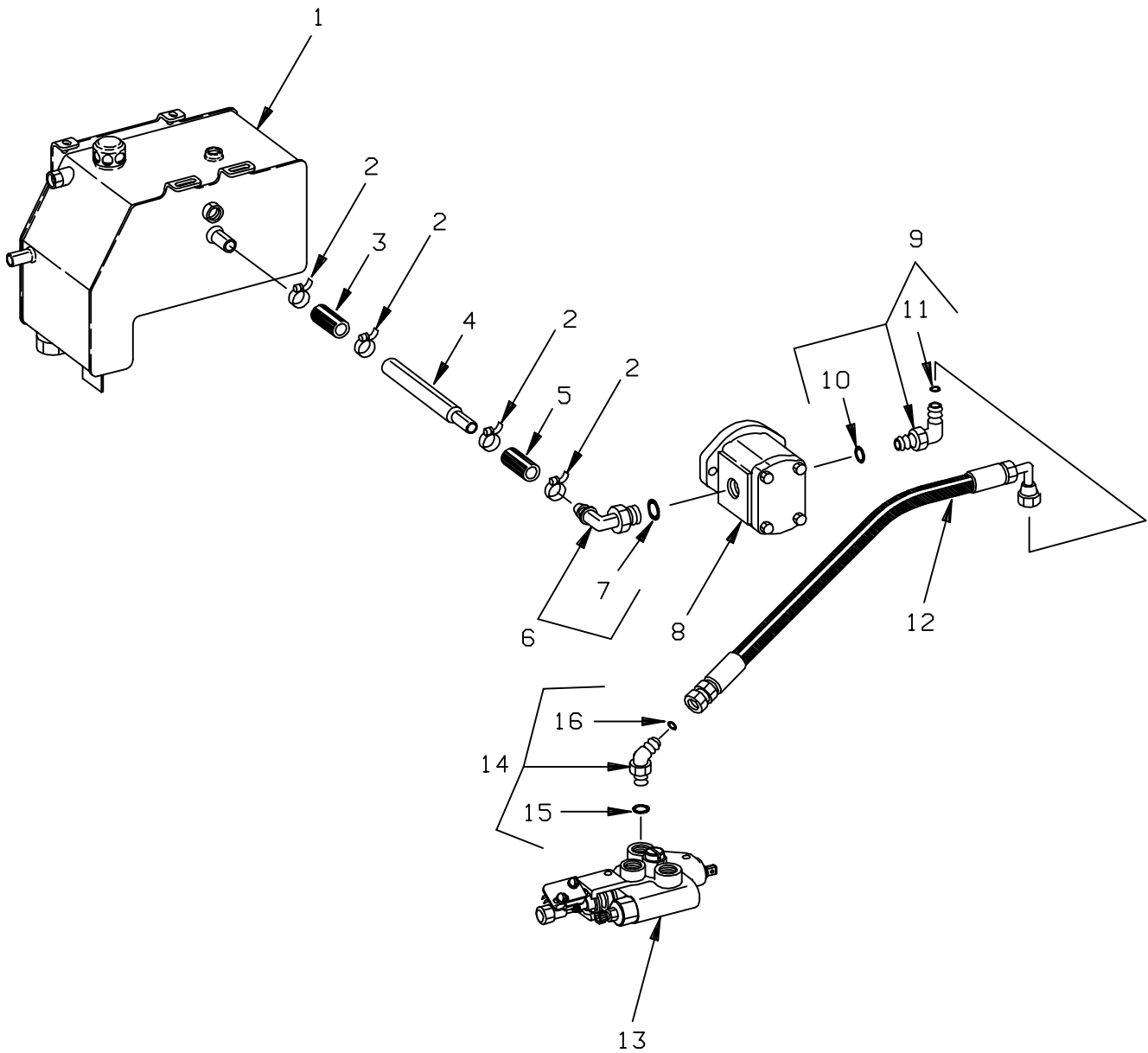


FIGURE # 3.21 TWO STAGE CYLINDER AND RESERVOIR ASSEMBLY

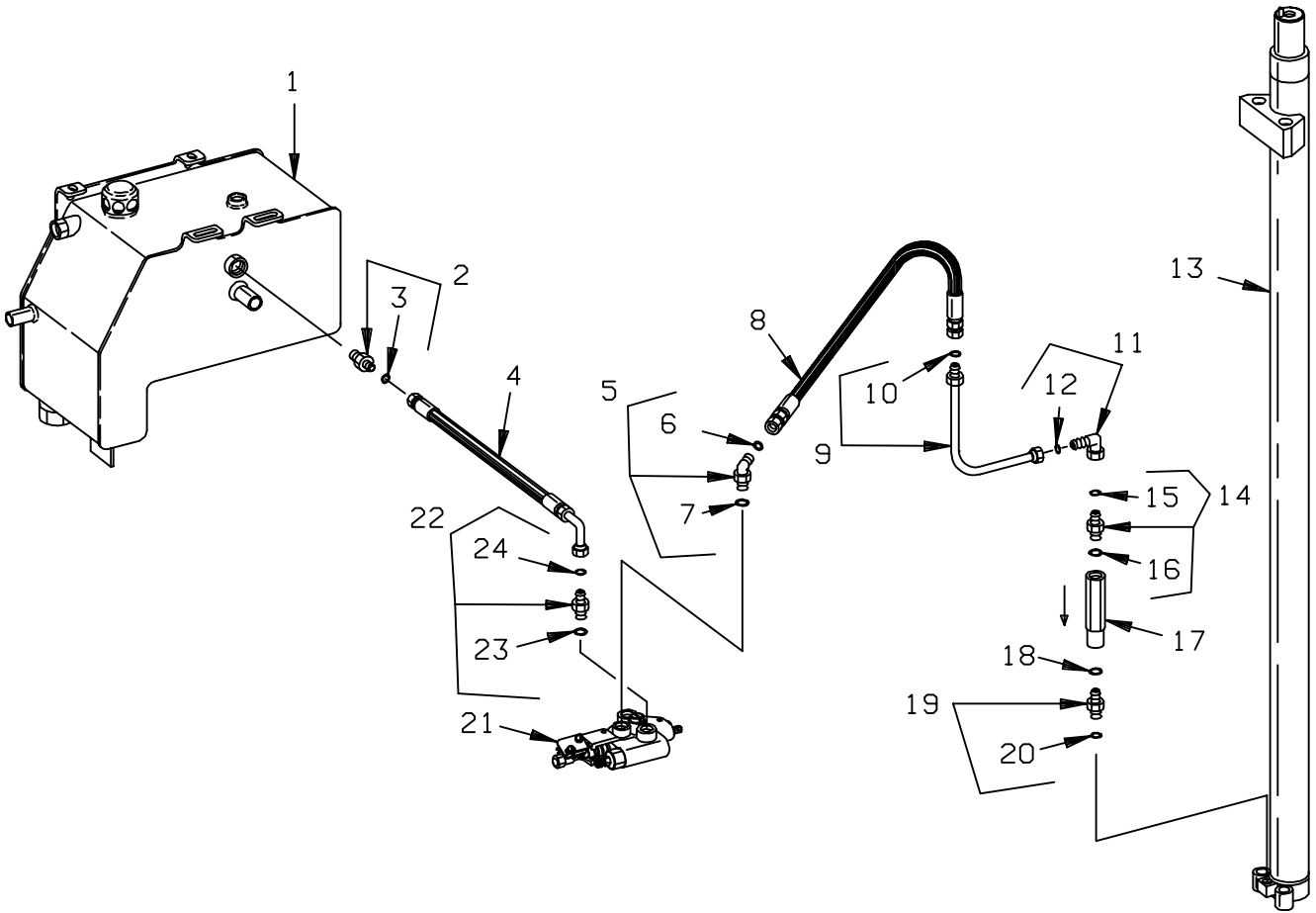
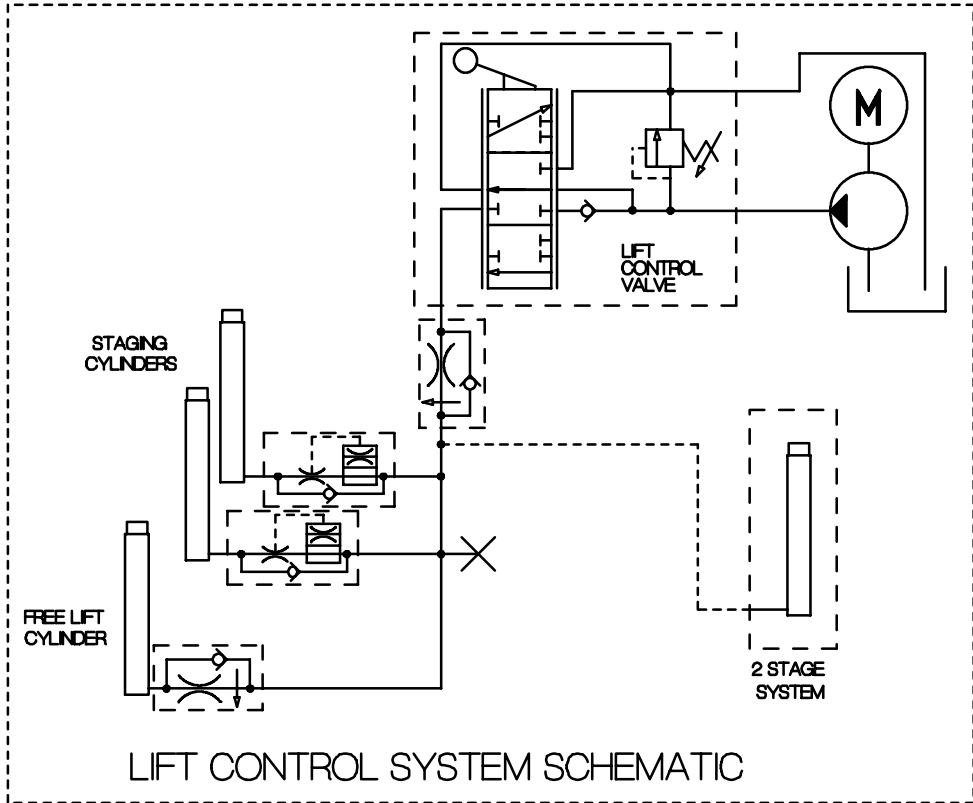
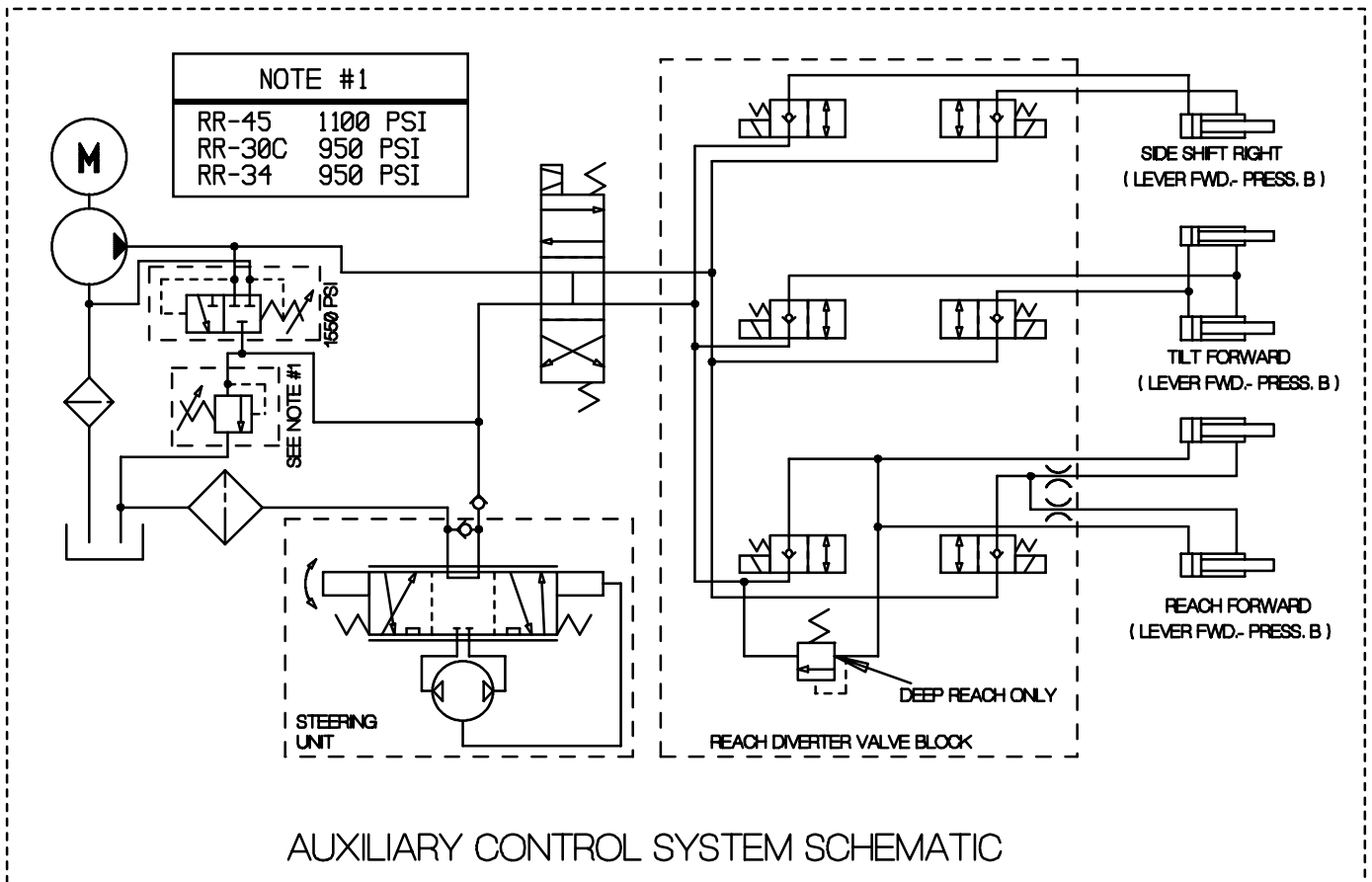


FIGURE # 3.26 HYDRAULIC SCHEMATIC FOR 3 FUNCTION CONTROL HANDLE



LIFT CONTROL SYSTEM SCHEMATIC



AUXILIARY CONTROL SYSTEM SCHEMATIC

FIGURE # 4.1 SHIELDING ASSEMBLY

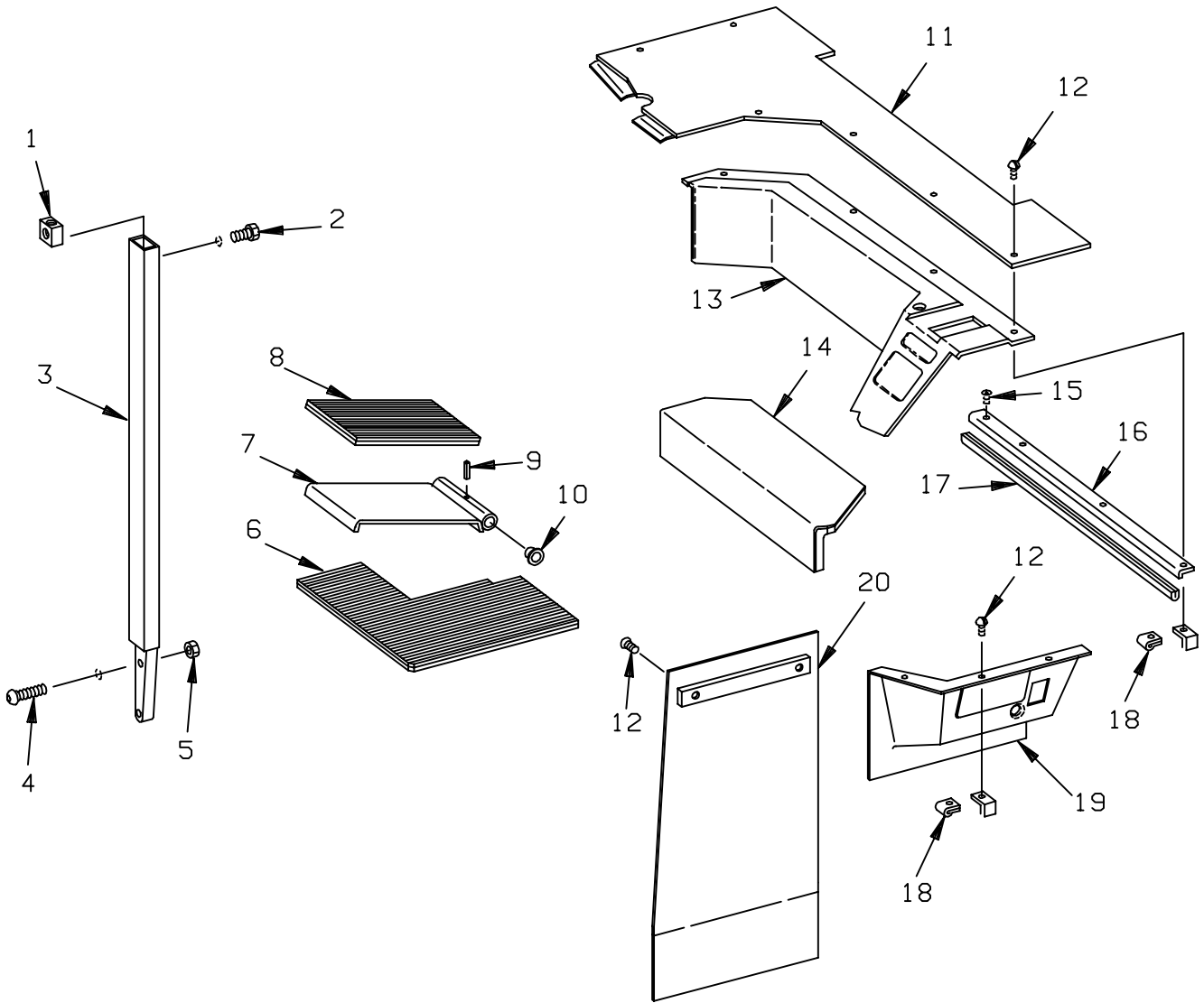


FIGURE # 4.6 REARWARD STEERING CONTROL ASSEMBLY

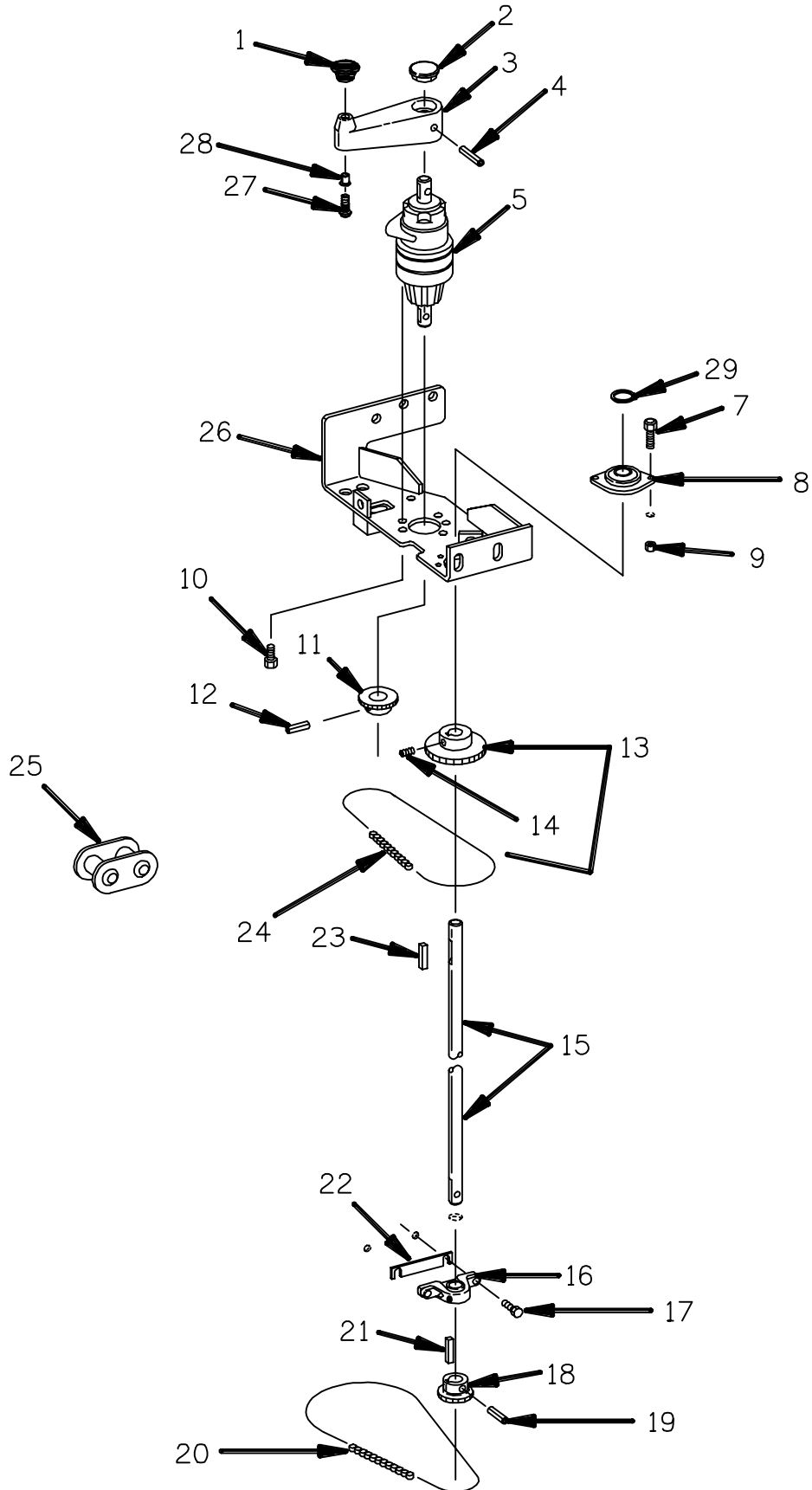


FIGURE # 4.11 4" HIGH ARTICULATING LOAD WHEEL ASSEMBLY

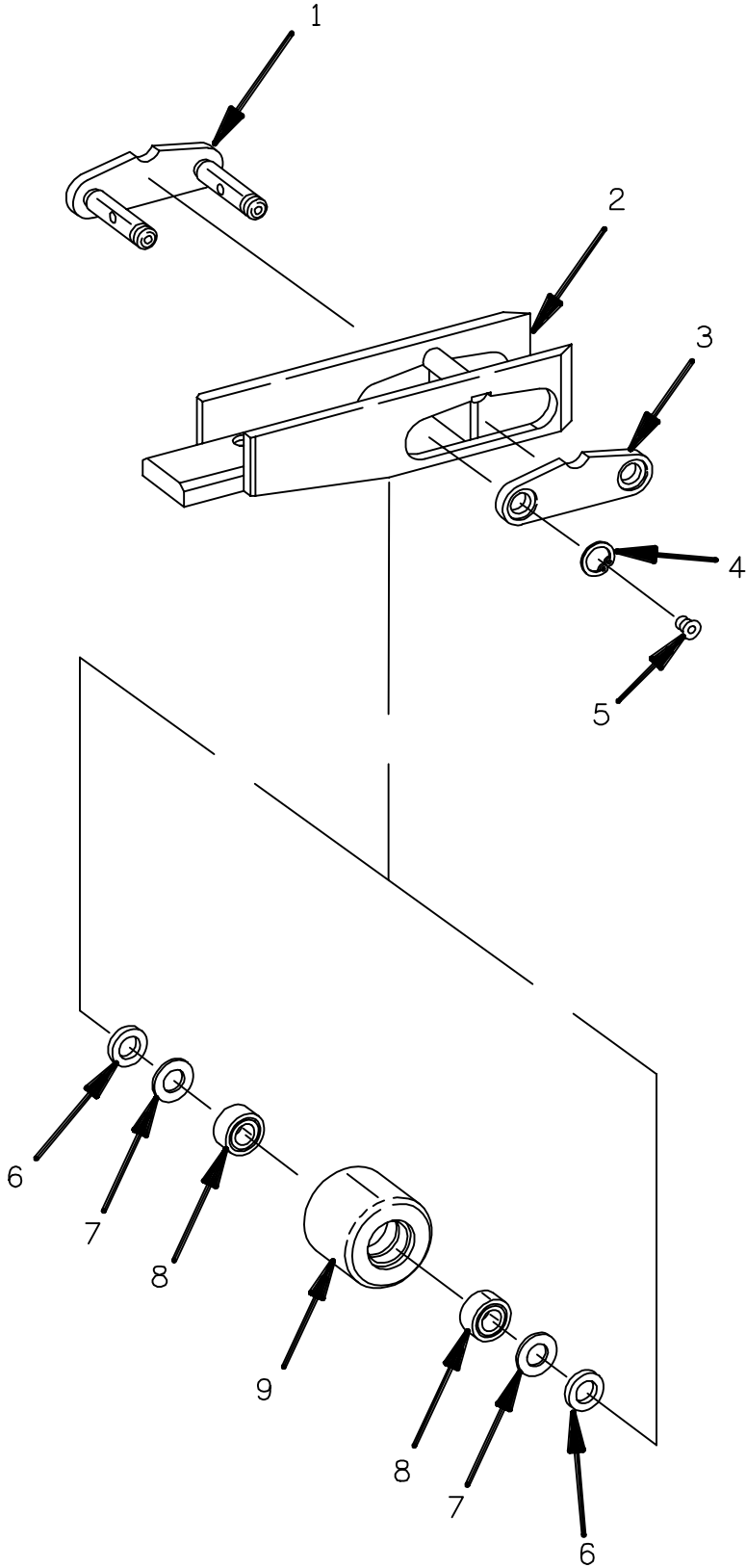


FIGURE # 5.3 TWO STAGE OUTER COLUMN ASSEMBLY

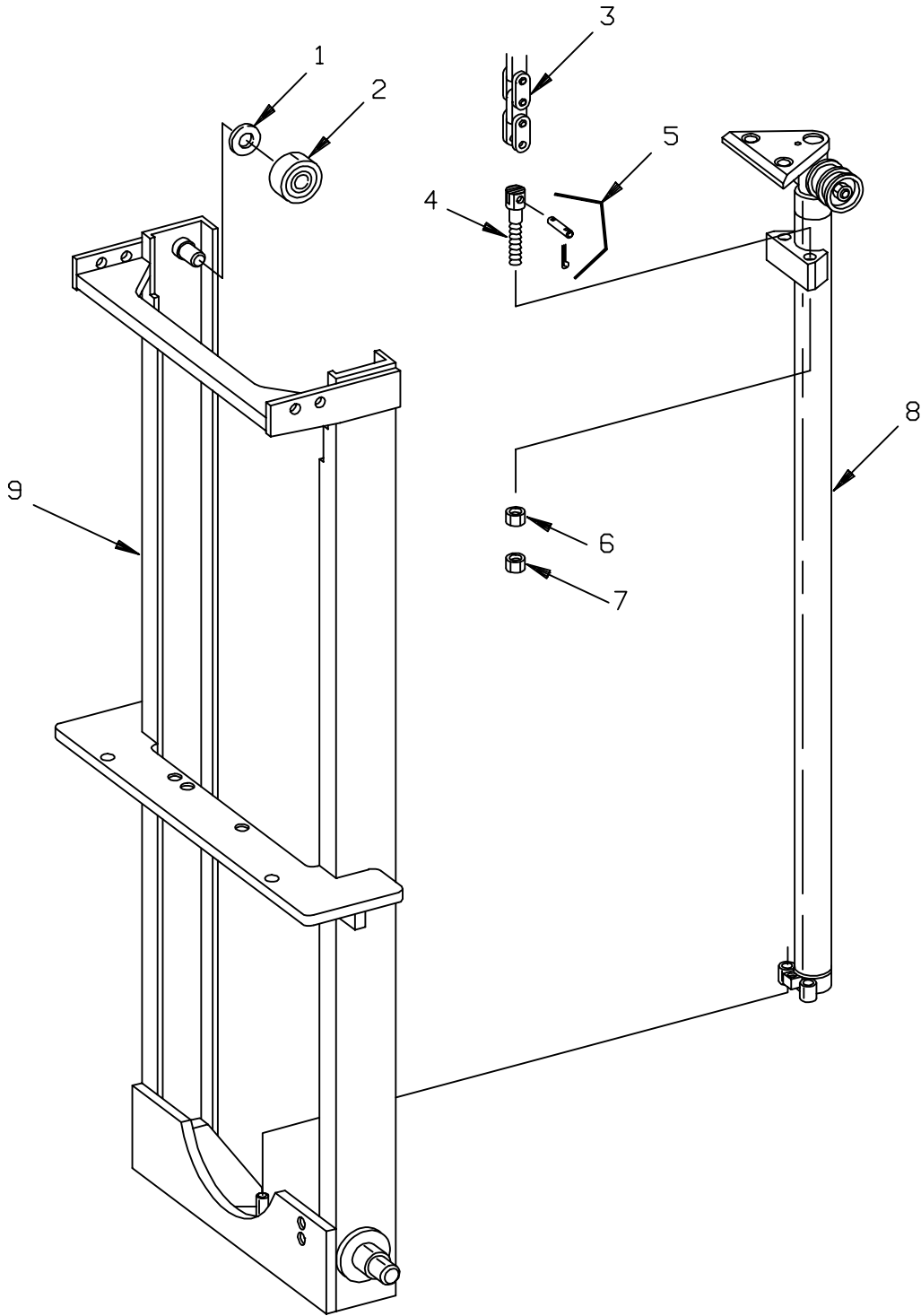


FIGURE # 5.8 TWO STAGE FORK ASSEMBLY (25008-XX)

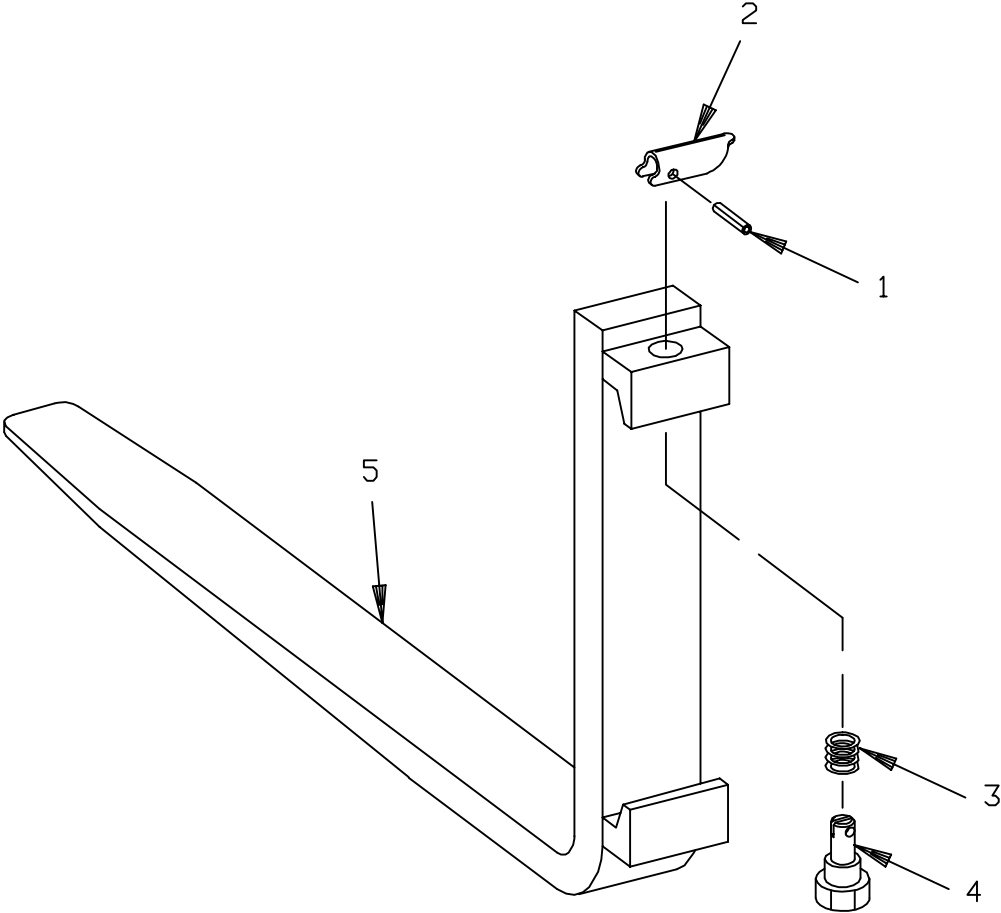


FIGURE # 5.13 THREE STAGE OUTER COLUMN ASSEMBLY

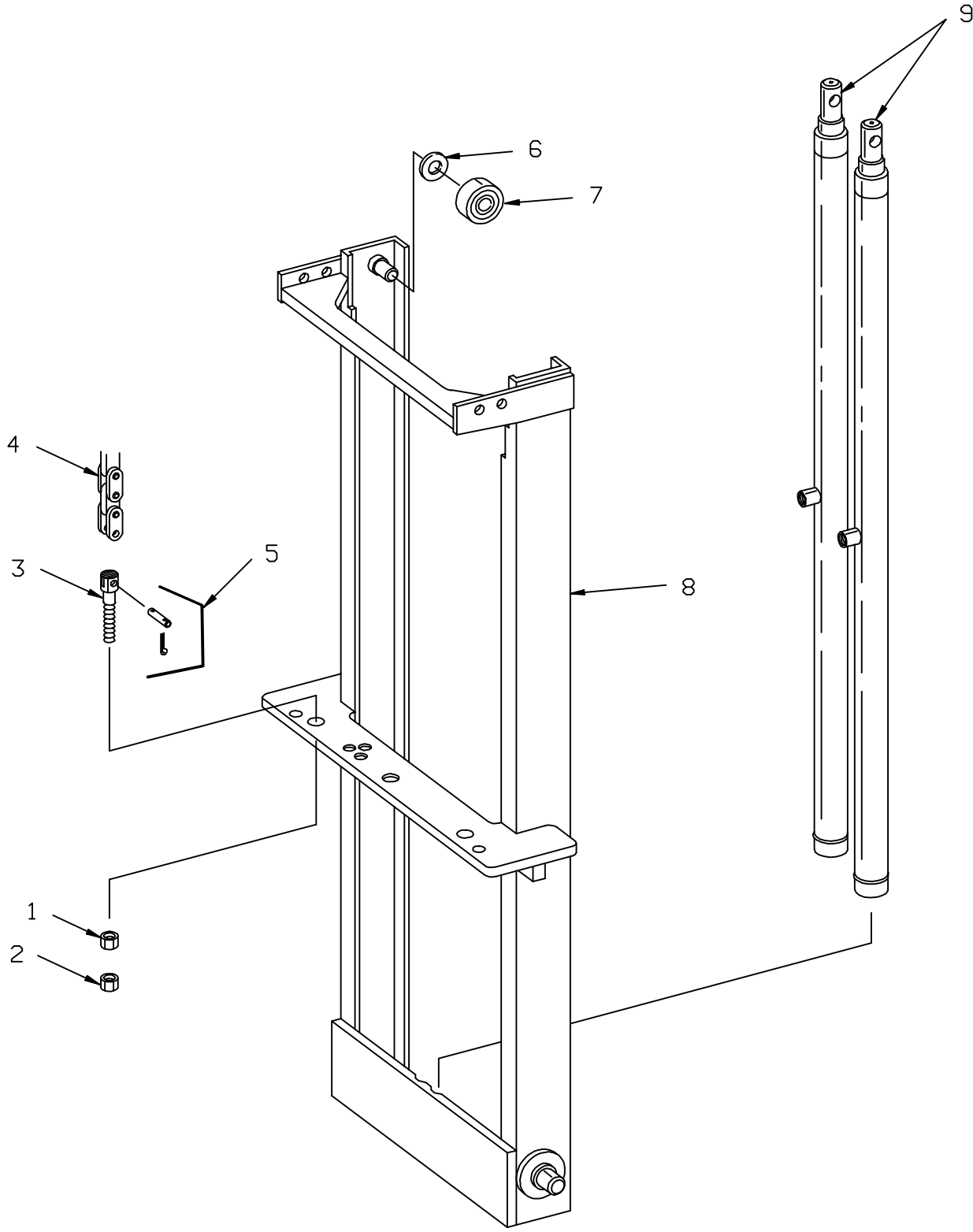
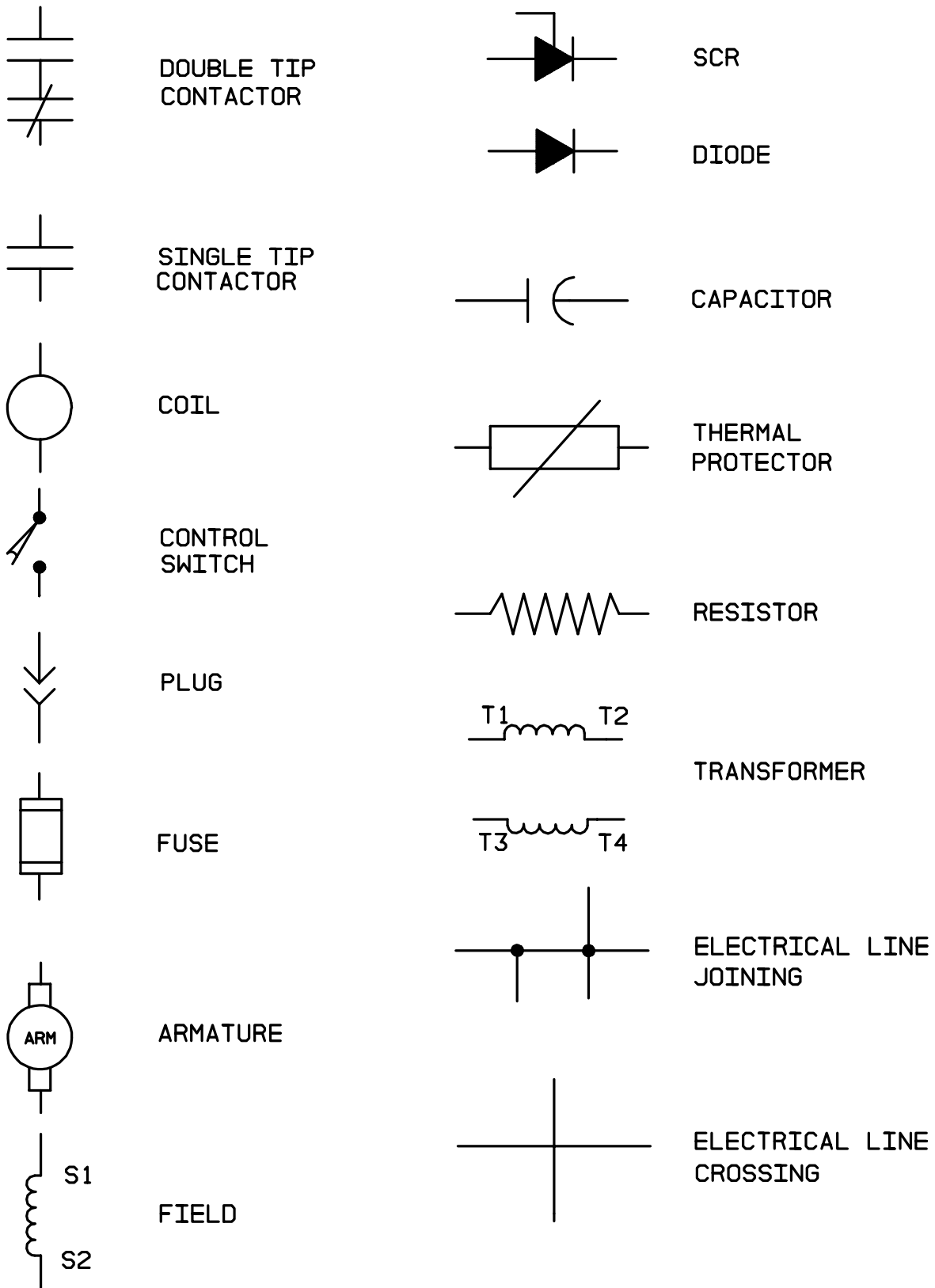


FIGURE # 7.2 BATTERY LIFT INTERRUPT "E" EV-100LX SCR ELECTRICAL SCHEMATIC SYMBOLS



MODEL RR-34 ELECTRIC REACH TRUCK

NUMERICAL INDEX

<u>PART #</u>	<u>FIG. #</u>	<u>ITEM #</u>	<u>PART #</u>	<u>FIG.#</u>	<u>ITEM #</u>
11016-21	2.13	11	11129-03	4.4	47
11016-21	2.5	13	11129-03	4.13	48
11016-21	6.3	*	11129-05	1.2	22
11016-27	4.8	4	11135-06	4.2	8
11016-27	3.15	18	11135-06	4.2	8
11018-03	1.2	3	11143-02	4.7	7
11018-08	4.4	16	11143-03	1.3	4
11018-08	4.13	17	11143-03	1.4	17
11018-11	4.4	27	11143-03	1.2	34
11018-11	4.13	28	11143-03	5.11	20
11020-27	4.3	14	11143-04	1.4	22
11020-34	3.13	19	11143-04	5.12	9
11020-34	3.15	14	11143-05	4.4	39
11020-35	4.5	31	11143-05	3.17	3
11025-02	4.5	39	11143-05	4.7	1
11025-02	4.6	29	11143-05	4.6	*
11025-02	4.4	15	11143-05	1.2	37
11025-02	4.13	16	11143-05	4.13	40
11039-29	1.4	41	11143-06	1.2	35
11043-03	1.4	18	11143-06	4.7	3
11045-03	3.28	43	11143-08	3.7	8
11045-03	2.6	18	11143-16	4.2	10
11045-03	3.3	37	11143-16	4.2	10
11045-03	3.23	59	11143-19	5.9	4
11045-04	7.5	9	11157-03	5.1	8
11045-07	6.3	*	11160-01	1.3	1
11045-08	4.2	15	11160-09	4.9	5
11047-13	4.4	44	11160-09	4.10	5
11047-21	4.5	10	11160-09	4.11	5
11047-21	4.6	10	11160-09	5.11	7
11057-03	4.6	23	11160-09	5.4	12
11057-03	4.5	23	11160-11	5.14	19
11057-03	4.5	21	11160-11	5.5	19
11057-03	4.6	21	11160-11	4.12	10
11057-13	1.4	3	11160-11	5.12	12
11073-04	5.14	25	11170-04	2.11	5
11073-04	5.5	25	11170-04	4.2	14
11073-04	5.15	12	11170-04	6.6	1
11073-04	5.6	12	11170-05	2.33	26
11073-06	4.6	4	11170-05	2.25	8
11073-06	4.5	4	11170-05	2.6	16
11073-11	4.6	12	11170-05	4.6	9
11073-11	4.5	12	11170-05	4.13	22
11073-14	4.3	22	11170-06	1.2	18
11073-16	3.15	4	11170-06	2.9	6
11073-19	1.4	36	11170-06	4.8	17
11073-20	4.3	10	11170-06	4.4	41
11073-20	5.10	7	11170-06	4.13	41
11073-22	5.14	12	11170-06	6.4	6
11073-22	5.5	12	11170-06	5.9	7
11073-23	5.6	6	11170-08	4.1	5
11073-23	4.12	11	11170-08	4.5	25
11073-26	4.1	9	11170-12	5.1	2
11073-32	4.9	4	11170-12	5.9	2
11073-35	5.5	1	11176-01	2.13	9
11073-35	5.14	1	11176-19	2.33	16
11074-10	5.1	25	11176-20	2.5	16

MODEL RR-34 ELECTRIC REACH TRUCK

NUMERICAL INDEX

<u>PART #</u>	<u>FIG. #</u>	<u>ITEM #</u>	<u>PART #</u>	<u>FIG.#</u>	<u>ITEM #</u>
49343-00	2.13	3	49517-12	3.28	20
49350-03	2.33	13	49531-00	3.14	30
49350-04	2.33	13	49545-00	2.11	23
49360-00	3.3	46	49548-00	3.22	2
49367-01	2.33	17	49548-00	3.25	1
49369-00	2.13	17	49548-00	3.24	1
49384-05	0.1	5	49557-00	2.7	7
49397-00	6.10	31	49574-00	2.7	4
49397-01	6.10	31	49578-00	3.14	14
49399-00	2.5	1	49579-00	3.14	13
49399-00	2.11	1	49582-00	3.3	21
49399-00	2.33	1	49582-01	3.3	26
49399-00	2.6	1	49591-00	4.4	46
49399-00	6.3	1	49591-00	4.13	47
49399-00	7.5	1	49594-02	3.3	1
49399-00	6.6	5	49594-02	3.28	1
49399-01	2.30	1	49594-02	3.23	25
49399-01	2.5	1	49596-00	3.3	8
49399-01	2.6	1	49596-00	3.28	8
49399-01	2.33	1	49597-01	3.28	16
49399-01	2.11	1	49597-01	3.3	16
49399-01	6.6	5	49597-01	3.3	16
49399-01	6.3	1	49604-00	3.11	21
49416-00	4.13	3	49604-00	3.11	15
49430-00	3.28	21	49604-00	3.11	19
49430-03	3.28	22	49604-00	3.14	22
49436-00	1.2	20	49604-00	3.14	24
49458-00	6.5	14	49604-00	3.14	21
49458-00	6.13	6	49604-00	3.31	4
49458-00	6.3	3	49604-00	3.14	31
49459-00	6.13	18	49604-00	3.14	28
49459-00	6.5	15	49604-00	3.10	4
49459-01	6.5	13	49604-00	3.14	5
49459-01	6.13	19	49604-00	3.31	6
49501-00	2.9	16	49604-00	3.11	7
49501-00	6.4	16	49604-00	3.14	16
49509-00	3.17	4	49604-00	3.14	12
49516-00	3.16	8	49604-00	3.14	8
49516-01	3.23	20	49604-00	3.11	9
49516-12	3.23	9	49604-00	3.30	3
49516-14	3.21	8	49604-01	3.9	3
49516-26	6.10	5	49604-01	3.28	27
49516-27	6.10	19	49604-01	3.3	30
49516-28	6.10	19	49604-01	3.3	23
49516-29	6.10	21	49604-01	3.3	10
49516-30	6.10	21	49604-01	3.28	24
49516-31	6.10	13	49604-01	3.10	14
49516-32	6.10	8	49604-01	3.30	12
49516-33	3.23	9	49604-01	3.30	15
49516-35	3.16	20	49604-01	3.3	3
49516-36	3.16	11	49604-01	3.3	53
49516-38	3.23	19	49604-01	3.28	32
49517-02	3.3	54	49604-01	3.28	10
49517-02	3.28	54	49604-01	3.28	3
49517-08	3.3	51	49604-01	3.9	6
49517-08	3.28	50	49604-01	3.3	15
49517-12	3.3	20	49604-01	3.3	19

ALPHABETICAL INDEX

NAME	FIG.#	PAGE #
A, B, C		
Auxiliary Control Assembly	4.3	4.5
Auxiliary Control Valve Assembly	3.4	3.5
Auxiliary Pump Assembly	3.6	3.9
Auxiliary Pump Motor Assembly, 24 VOLT/ 36 VOLT	2.22	2.39
Auxiliary Pump and Motor Assembly, 24 VOLT/ 36 VOLT	3.5	3.7
Auxiliary Pump and Motor Installation	4.7	4.13
Auxiliary Pump and Reservoir Assembly	3.3	3.3
Auxiliary Pump & Reservoir Assy. for 3 Function Control Handle	3.28	3.51
Battery Lift Interrupt "E" EV-100LX SCR Electrical Schematic	7.1	7.1
Battery Lift Interrupt "E" EV-100LX SCR Electrical Schem. Symbols	7.2	7.2
Battery Lift Interrupt "EE" EV-100LX SCR Electrical Schematic	7.3	7.3
Battery Lift Interrupt "EE" EV-100LX SCR Electrical Schem. Symbols	7.4	7.4
Battery Lift Interrupt Installation	7.5	7.5
Caster Assembly	4.12	4.23
D, E		
Decals and Parts Assembly	0.1	0.1
Drive Motor Assembly, 24 VOLT/ 36 VOLT	2.23	2.41
Drive Motor and Brake Assembly	1.2	1.3
Emergency Disconnect Assembly	4.2	4.3
"E" EV-100LX SCR Electrical Schematic	2.1	2.1
"E" EV-100LX SCR Electrical Schematic Symbols	2.2	2.2
"E" EV-100LX TT SCR Electrical Schematic	2.24	2.43
"E" EV-100LX TT SCR Electrical Schematic Symbols	2.25	2.44
"EE" EV-100LX SCR Electrical Schematic	2.3	2.3
"EE" EV-100LX SCR Electrical Schematic Symbols	2.4	2.4
"EE" EV-100LX TT SCR Electrical Schematic	2.26	2.45
"EE" EV-100LX TT SCR Electrical Schematic Symbols	2.27	2.46
EV-100LX Contactor Panel Assembly	2.14	2.23
EV-100LX Contactor Panel Assembly & Related Parts for "E" & "EE"	2.13	2.21
EV-100LX Dash Display	2.28	2.47
EV-100LX Power Component Wiring	2.11	2.17
EV-100LX SCR 1A Contactor Assembly	2.16	2.27
EV-100LX SCR Auxiliary Pump Contactor Assembly	2.18	2.31
EV-100LX SCR Electrical Schematic - 3 Function Control Handle	2.29	2.49
EV-100LX SCR Electrical Schematic Symbols	2.30	2.50
EV-100LX SCR Forward & Rearward Contactor Assembly	2.15	2.25
EV-100LX TT/TX SCR Control Panel Assembly	2.12	2.19

FIGURE # 1.3 TRANSMISSION ASSEMBLY (40011-01) PART # I

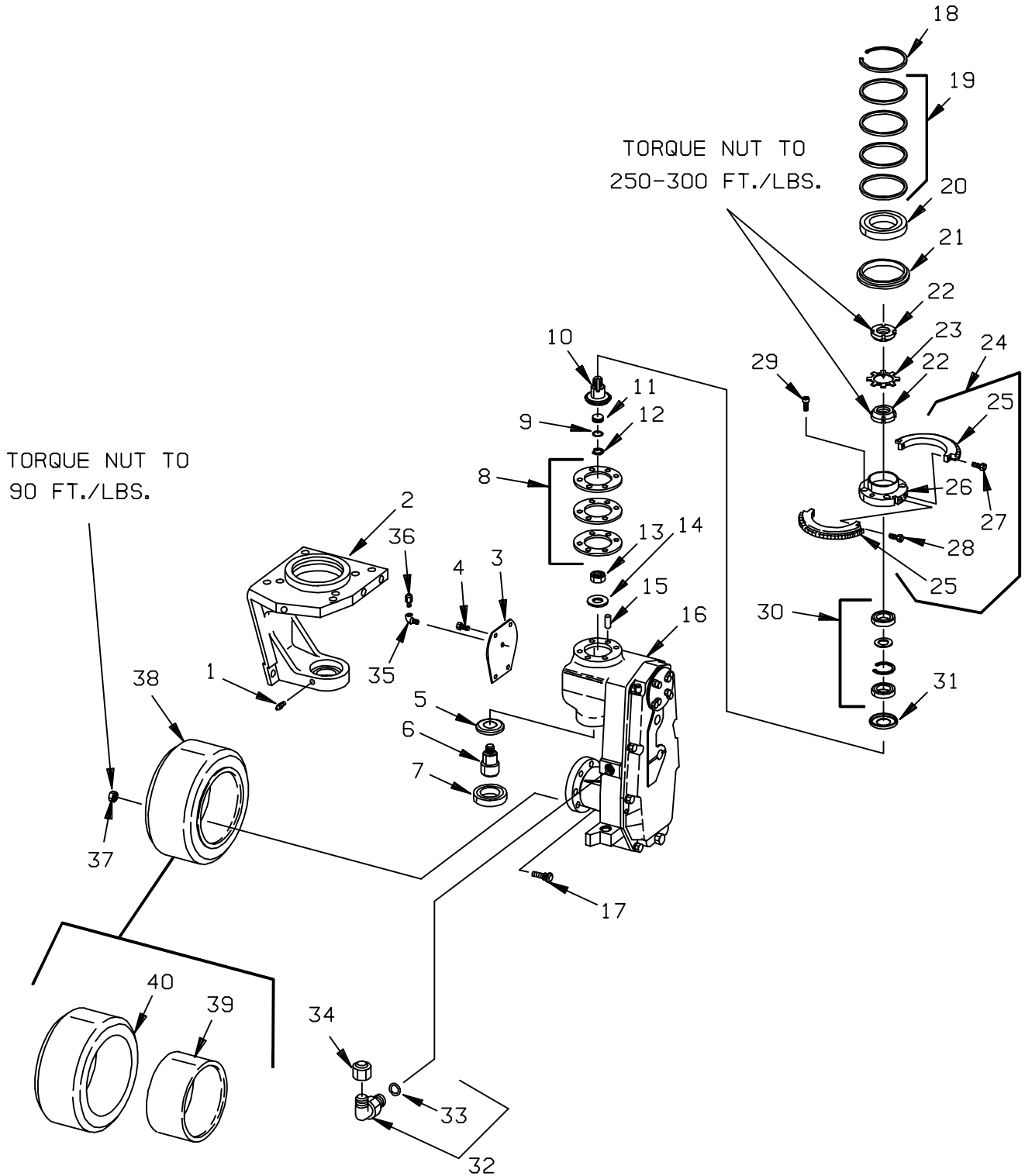


FIGURE # 2.6 WIRING HARNESS ASSEMBLY

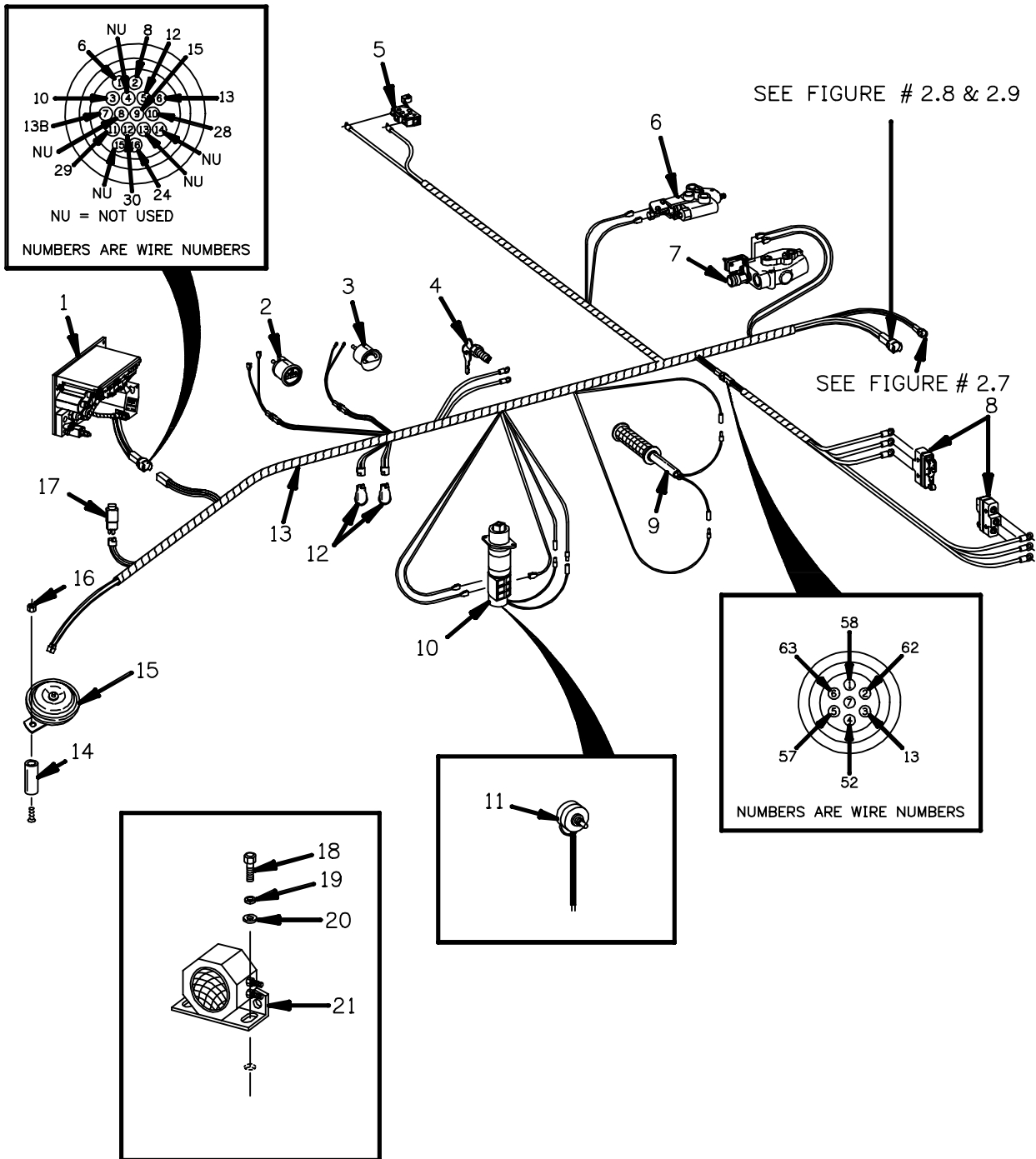


FIGURE # 2.11 EV-100LX POWER COMPONENT WIRING

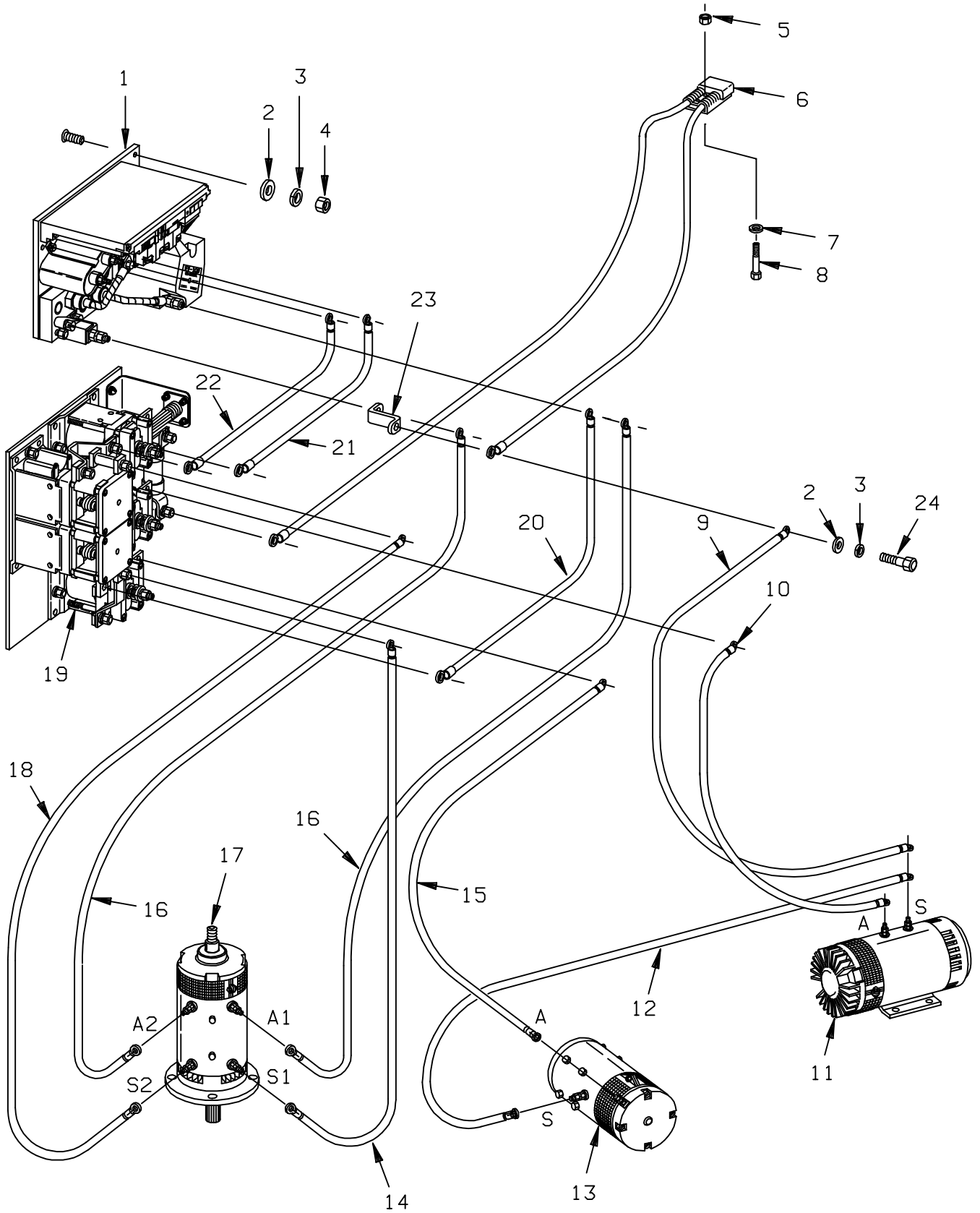


FIGURE # 2.16 EV-100LX SCR 1A CONTACTOR ASSEMBLY (27693-02)

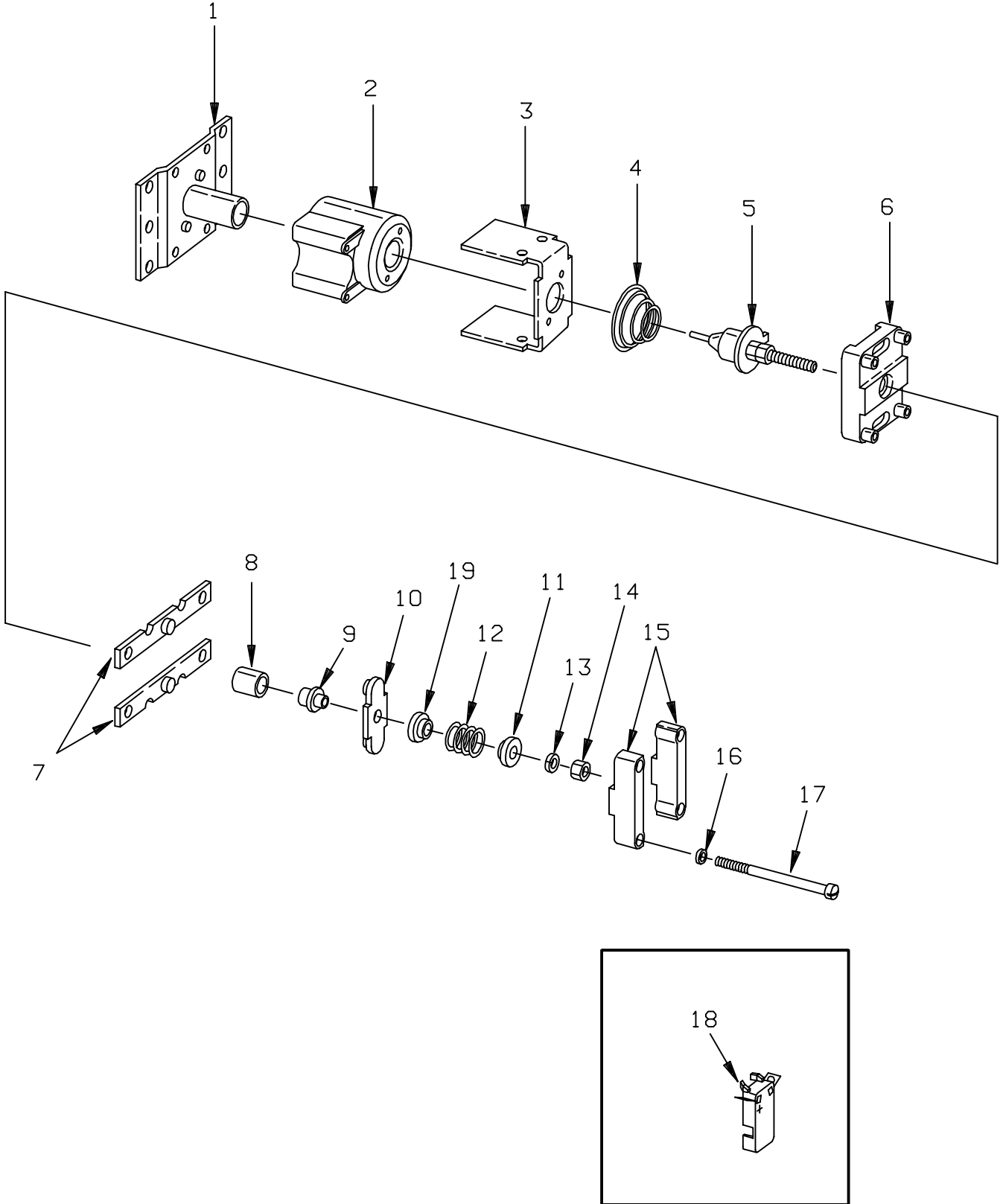


FIGURE # 2.20A LIFT PUMP MOTOR ASSEMBLY, 36 VOLT (301985-000) G.E.

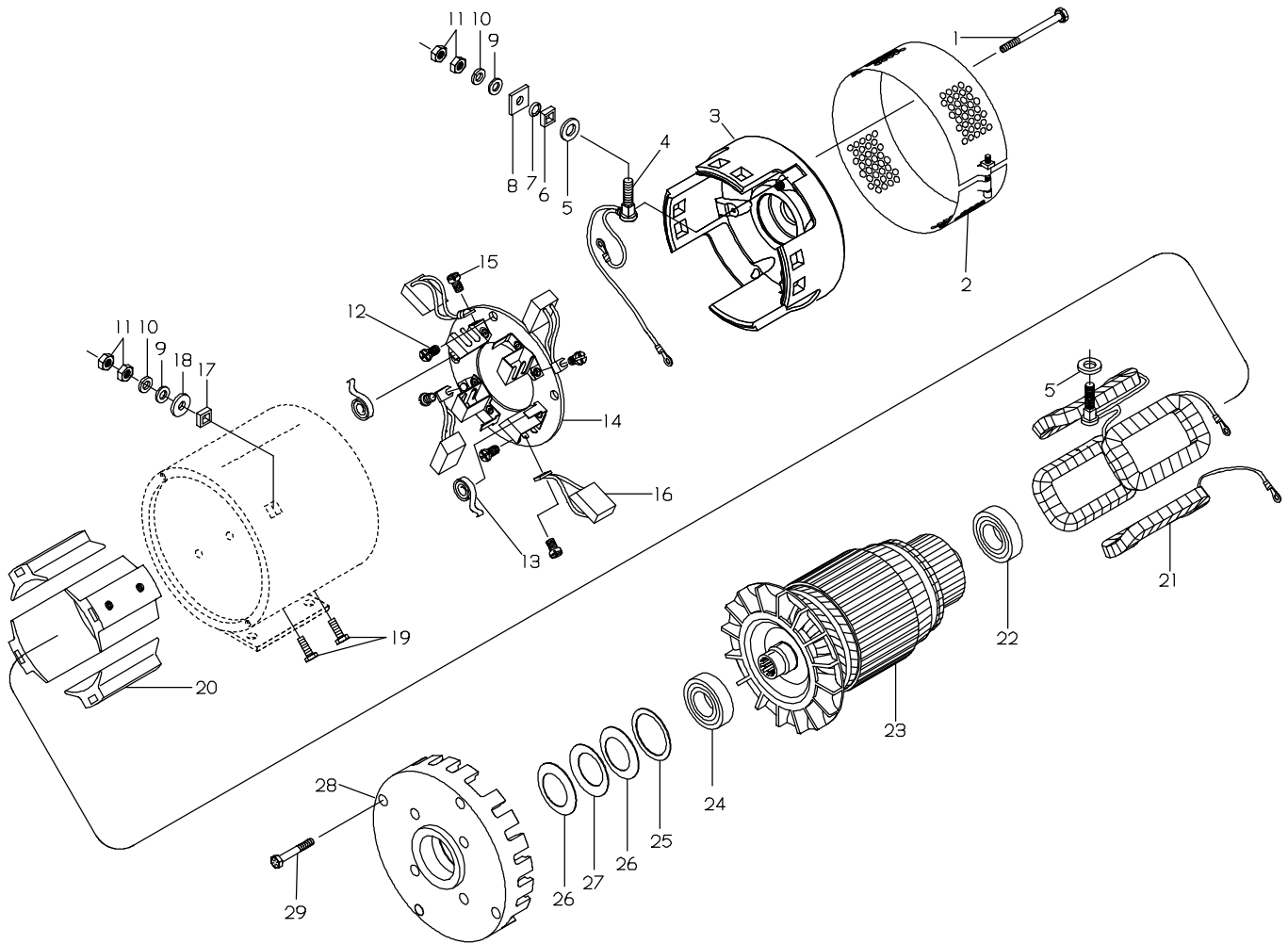
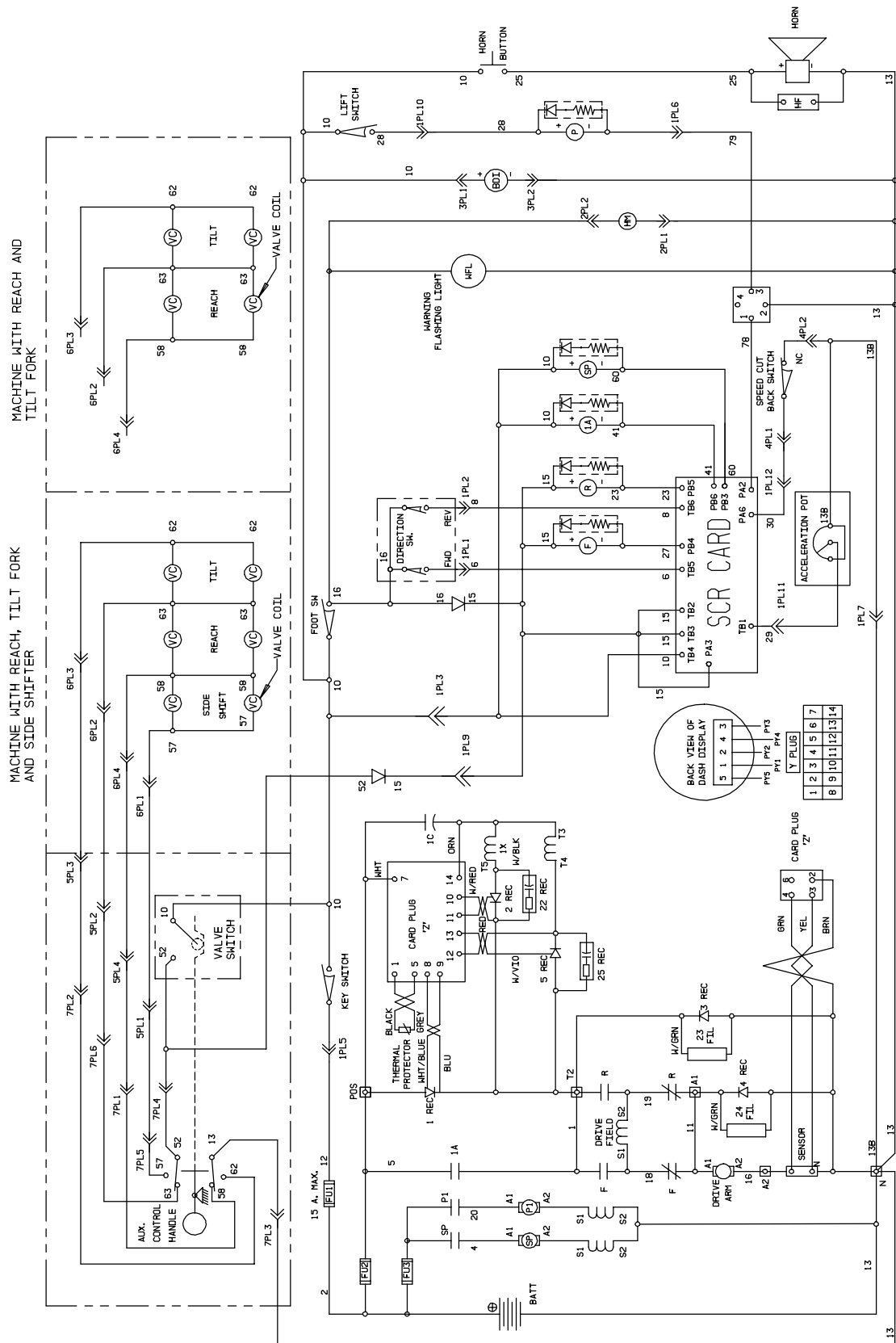


FIGURE # 2.26 "EE" EV-100LX TT SCR ELECTRICAL SCHEMATIC



"EE" TT ELECTRICAL SCHEMATIC

FIGURE # 3.1 HYDRAULIC SCHEMATIC

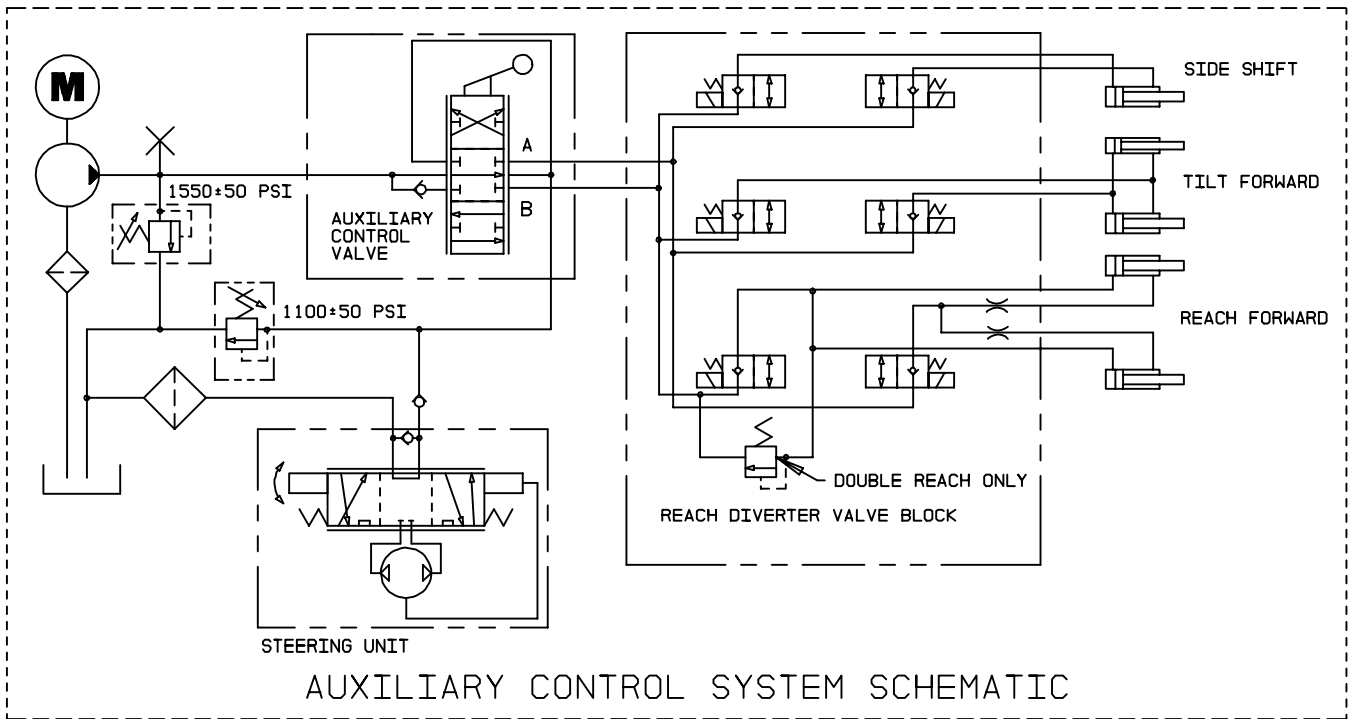
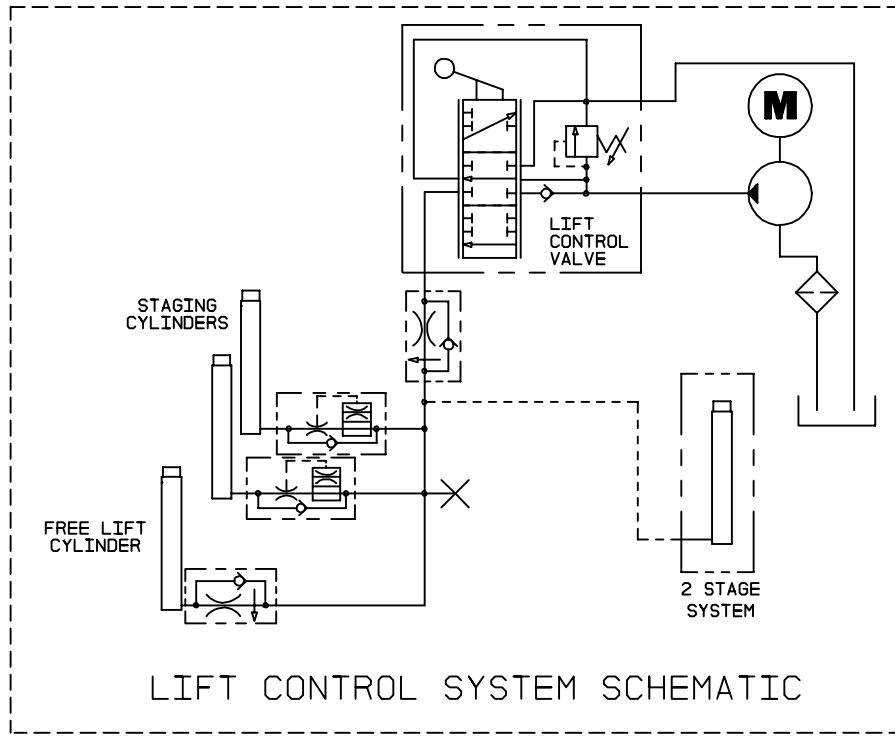


FIGURE # 3.7 HYDRAULIC RESERVOIR ASSEMBLY

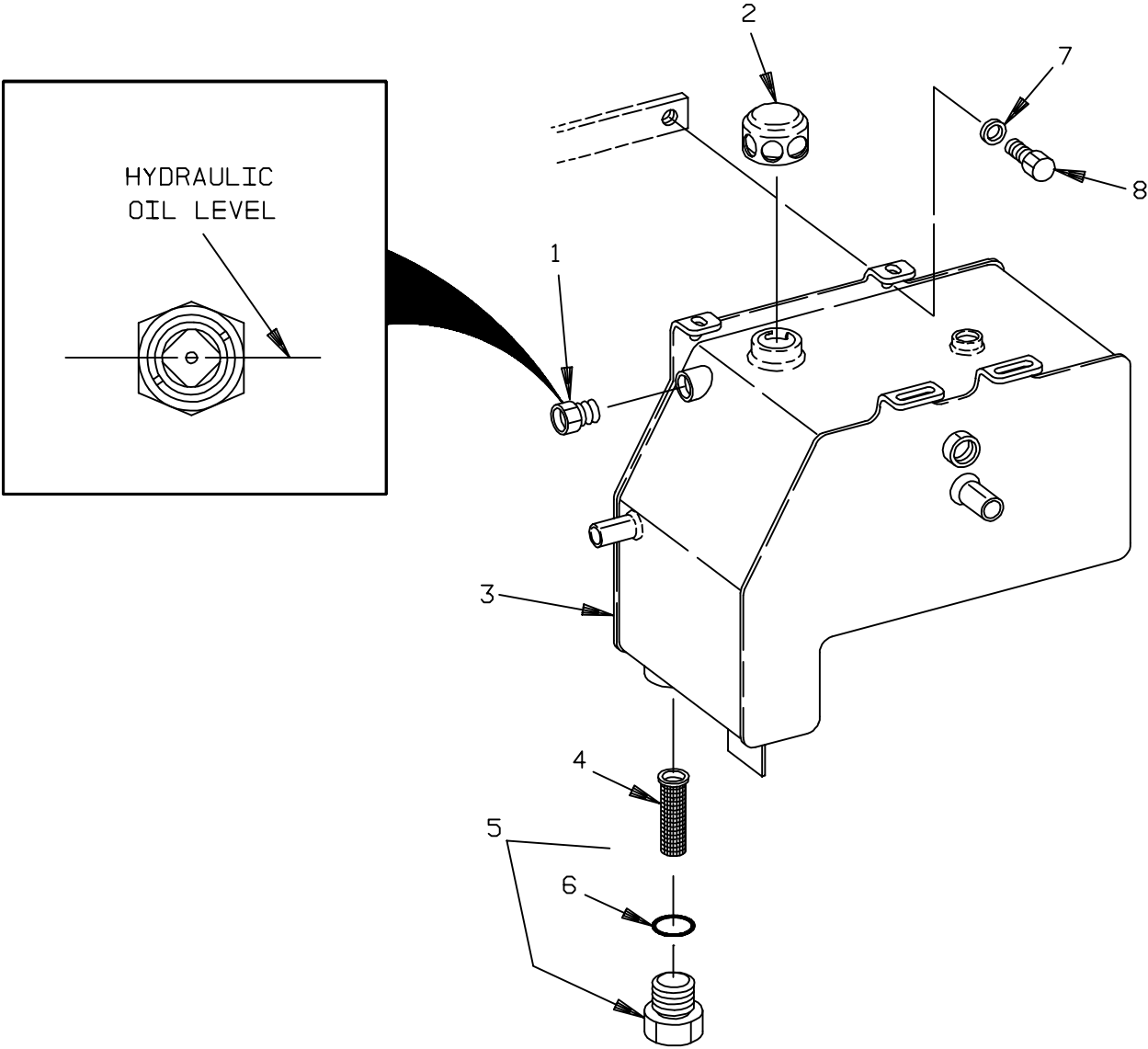


FIGURE # 3.12 REACH DIVERTER VALVE ASSEMBLY (41242-00)

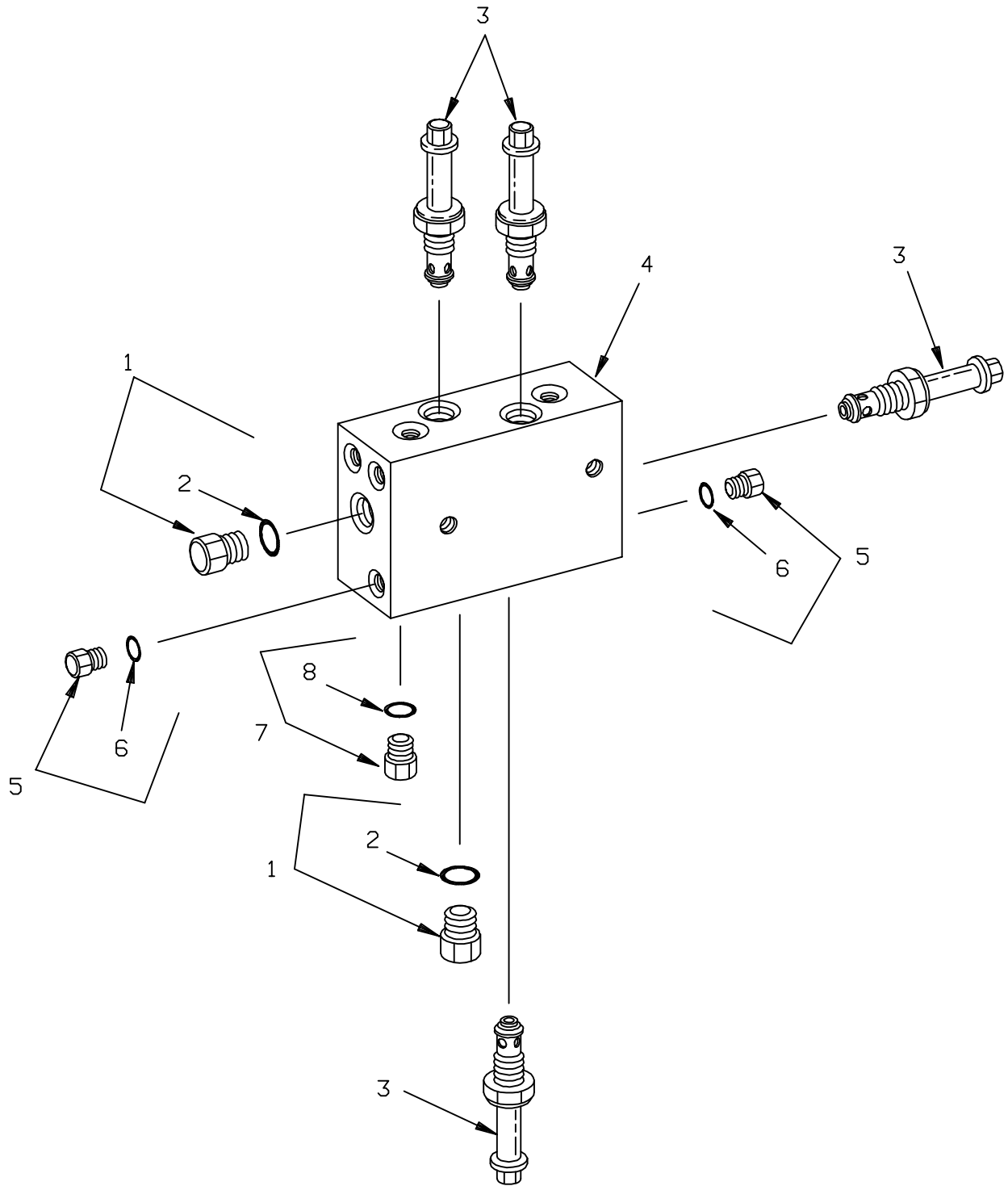


FIGURE # 3.17 LIFT PUMP MOTOR ASSEMBLY

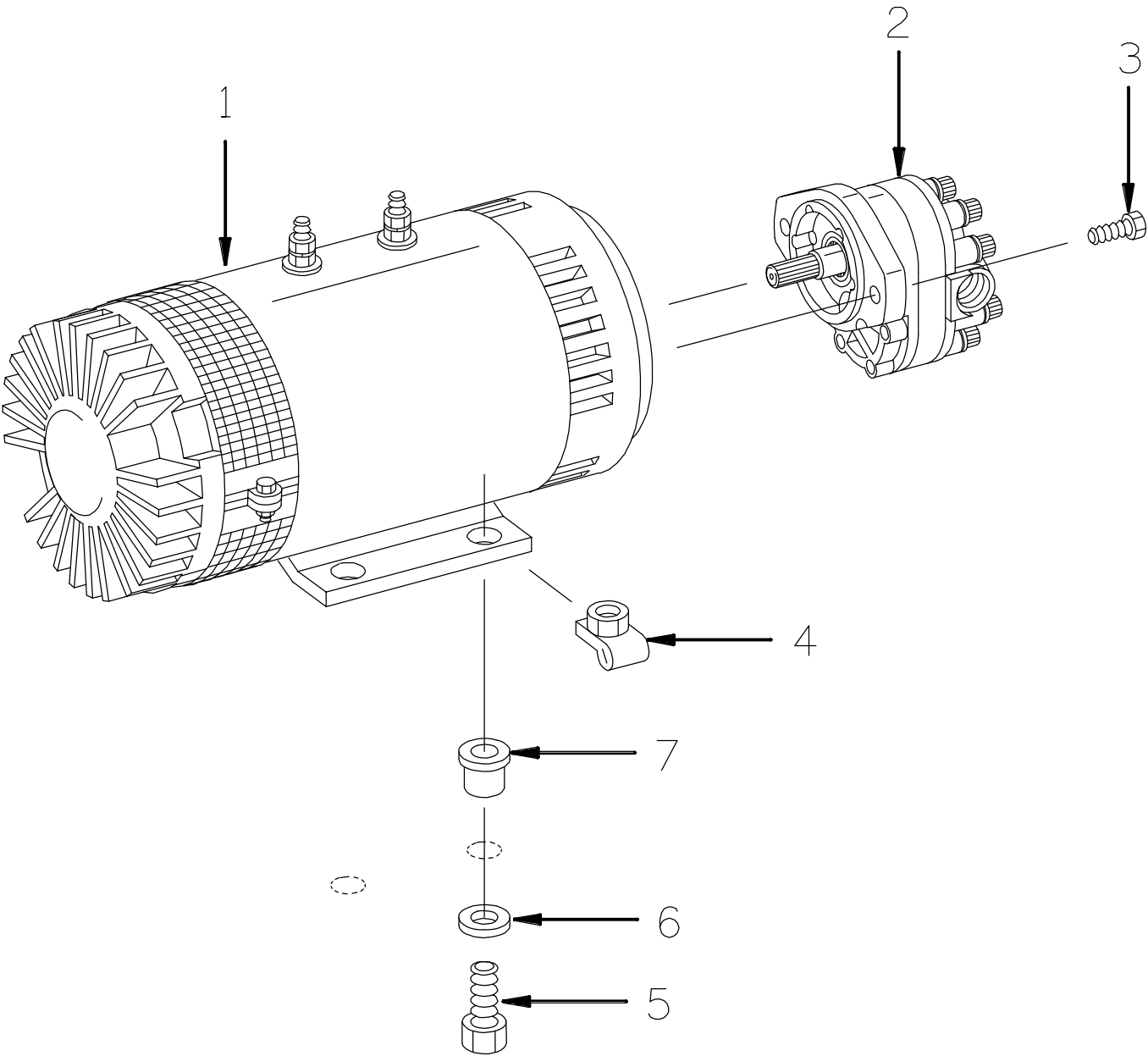


FIGURE # 3.22 TWO STAGE CYLINDER ASSEMBLY (40534-XX)

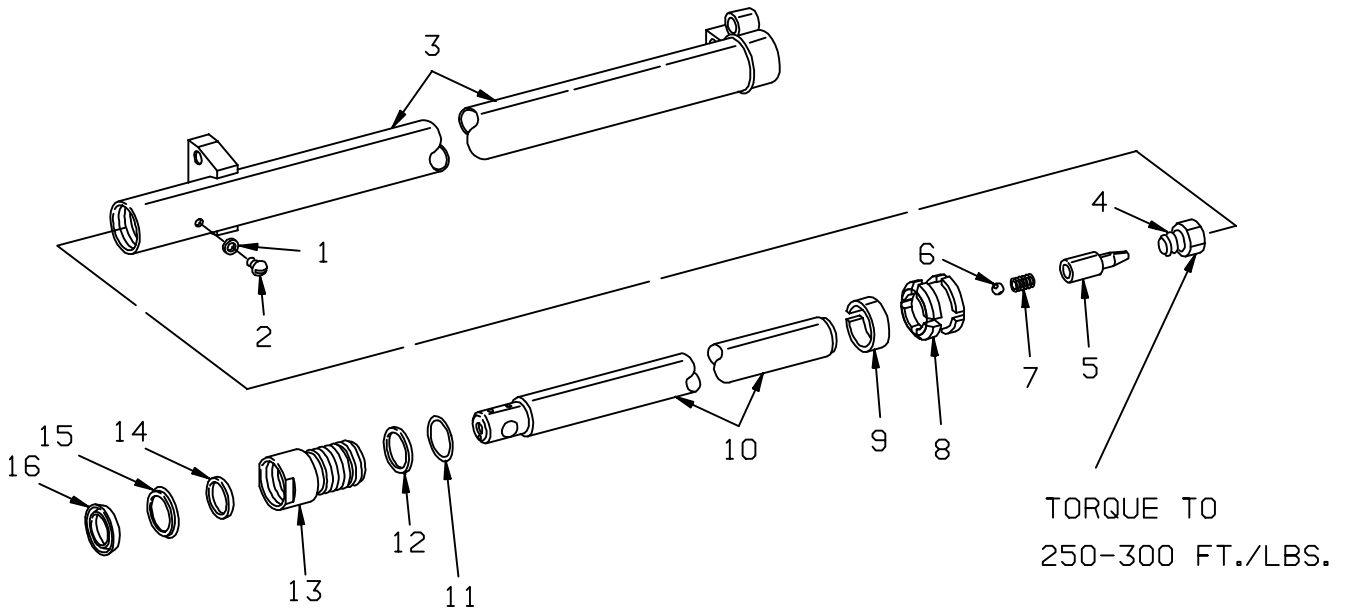


FIGURE # 3.28 AUXILIARY PUMP & RESERVOIR ASSY. FOR 3 FUNCTION CONTROL HANDLE

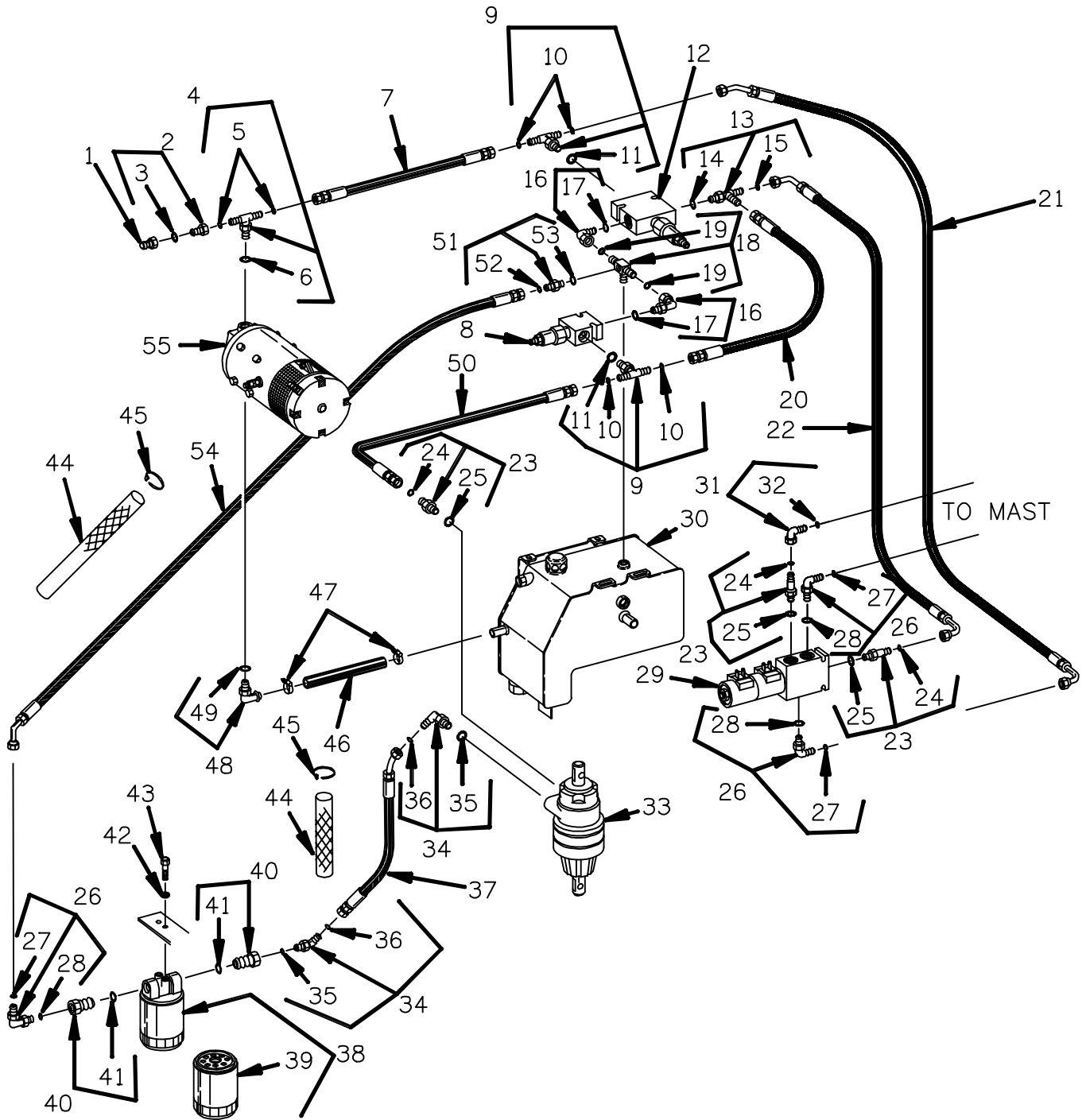


FIGURE # 4.2 EMERGENCY DISCONNECT ASSEMBLY

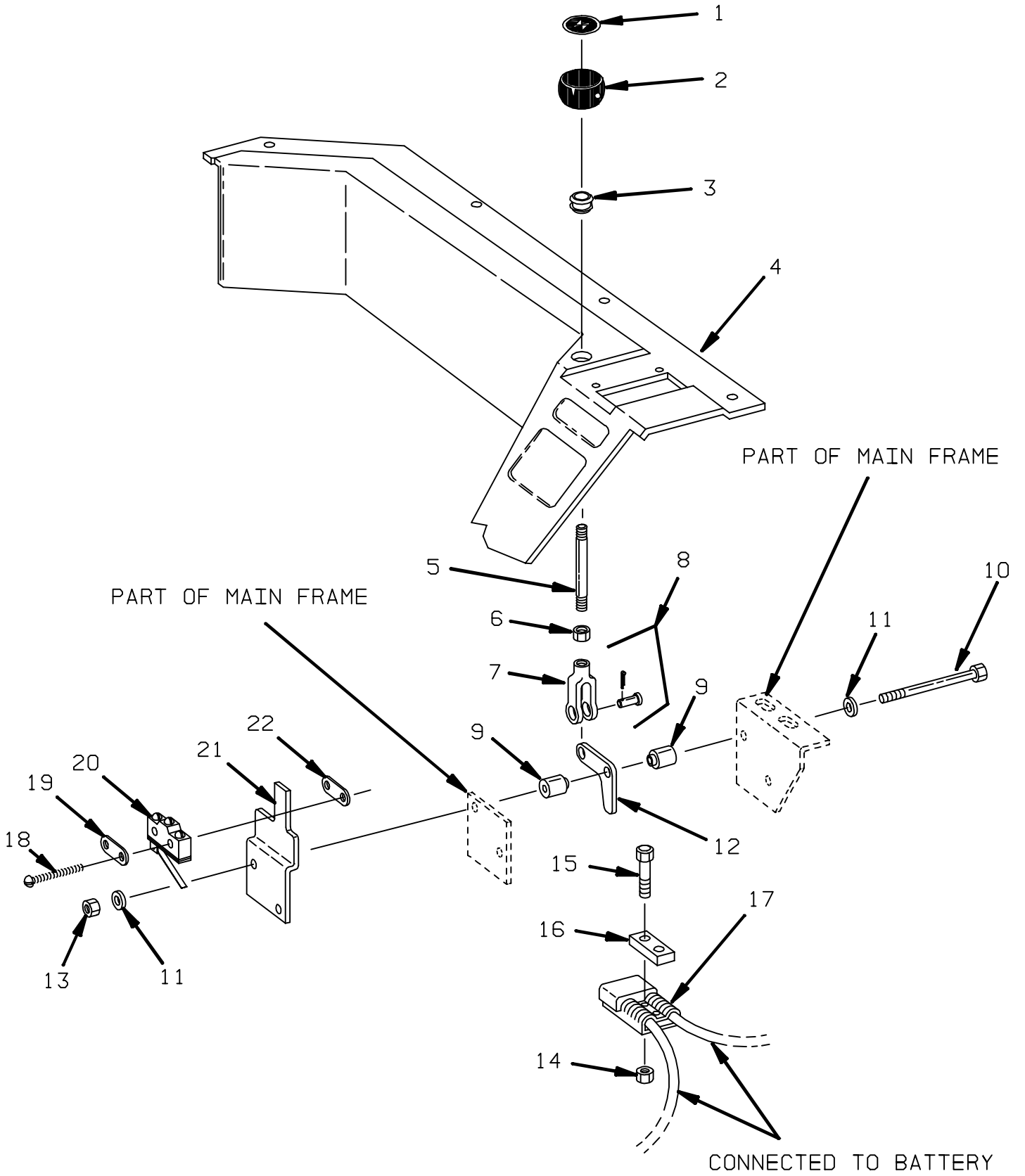


FIGURE # 4.7 AUXILIARY PUMP AND MOTOR INSTALLATION

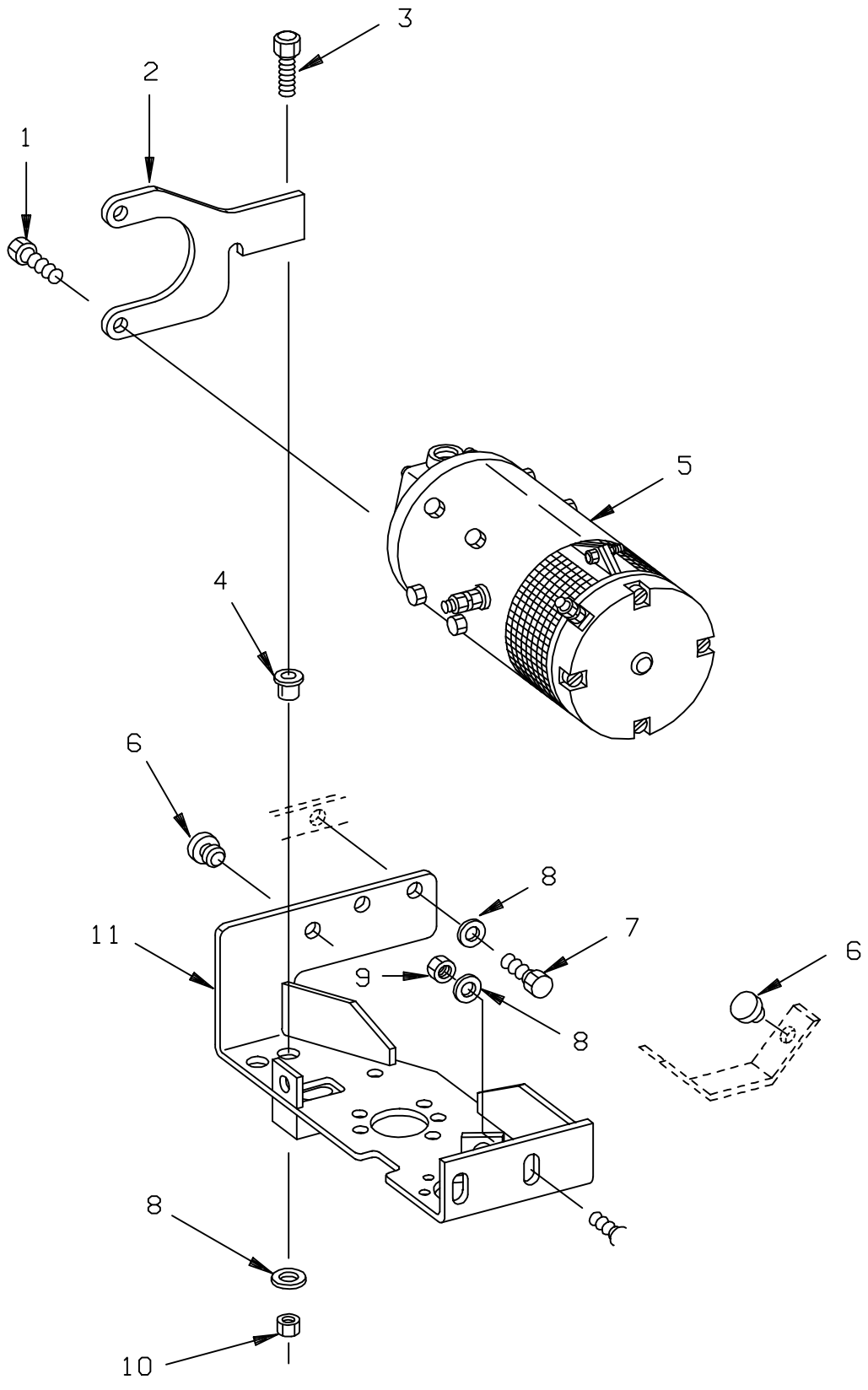


FIGURE # 4.10A 5" HIGH ARTICULATING LOAD WHEEL ASSEMBLY

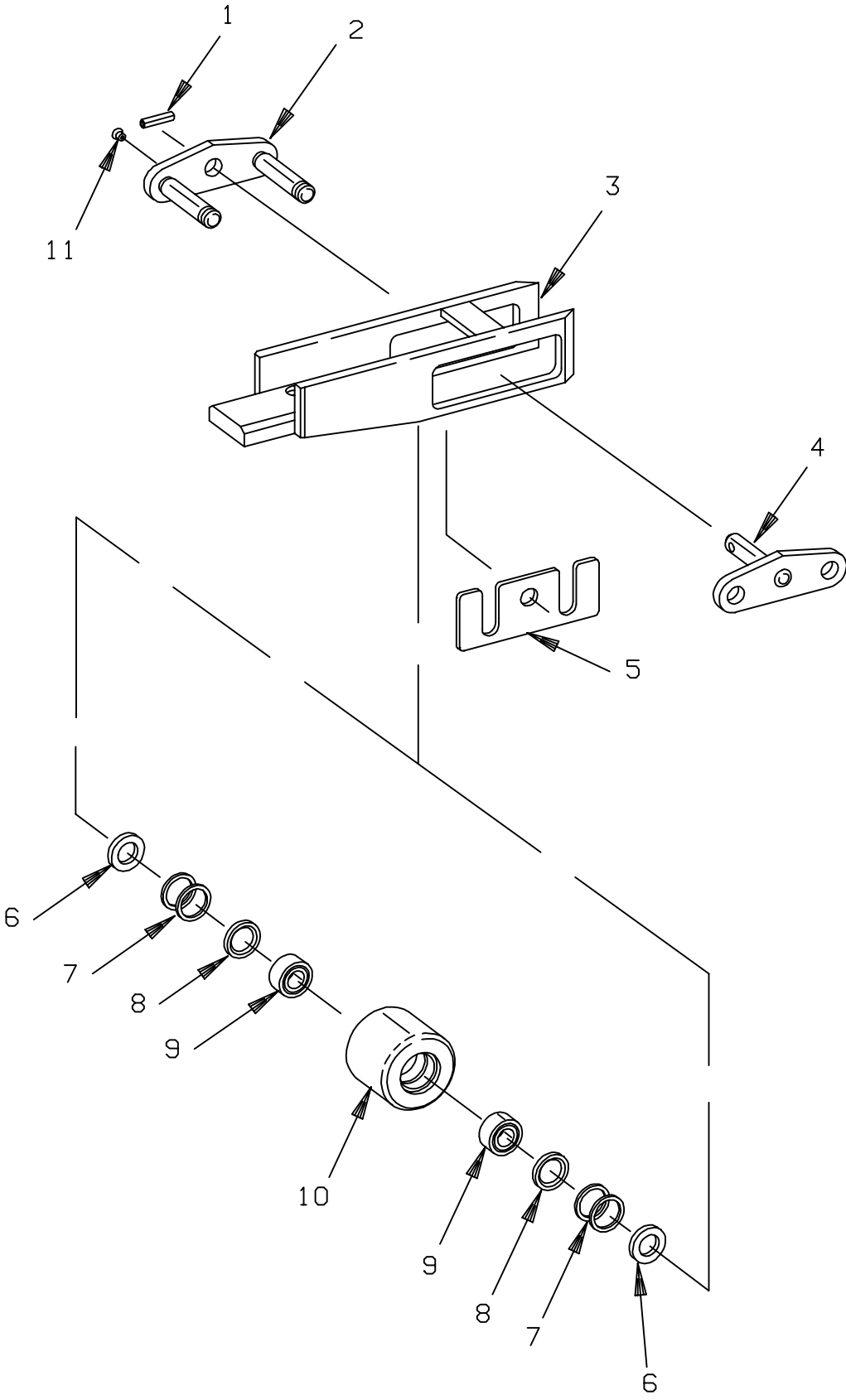


FIGURE # 5.1 TWO STAGE MAST INSTALLATION

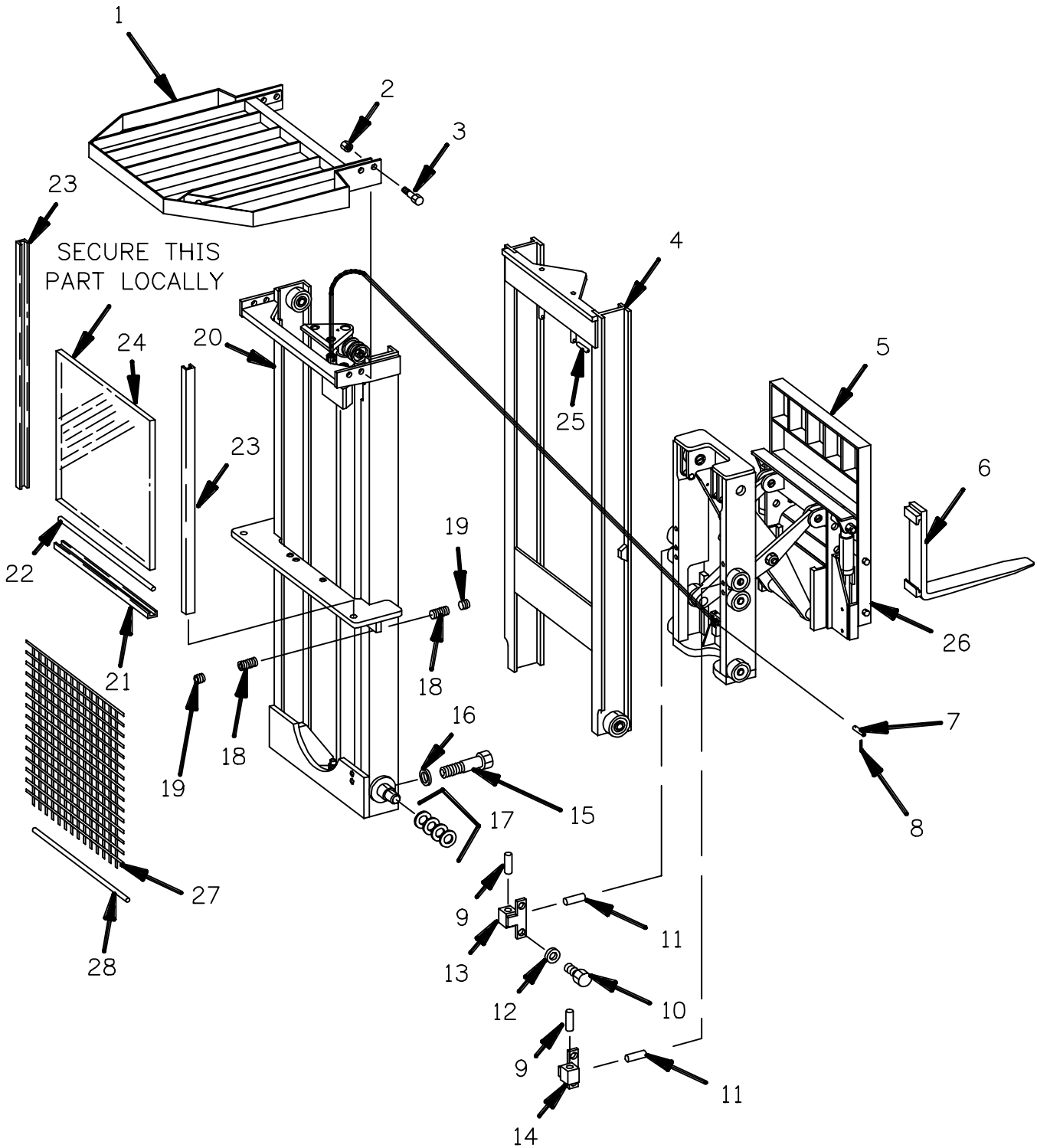


FIGURE # 5.6 TWO STAGE REACH FRONT FRAME

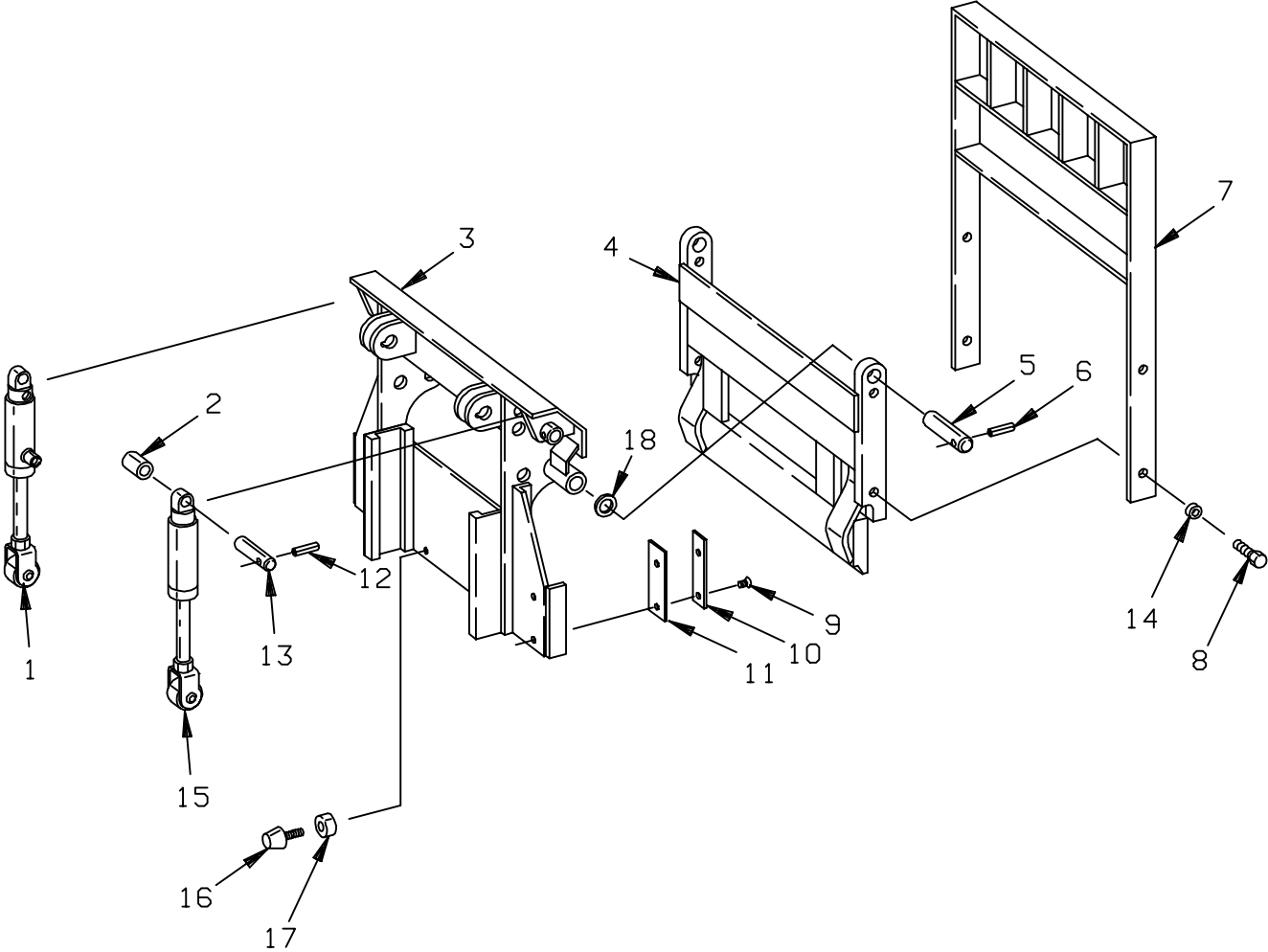


FIGURE # 5.11 THREE STAGE FREELIFT CYLINDER INSTALLATION

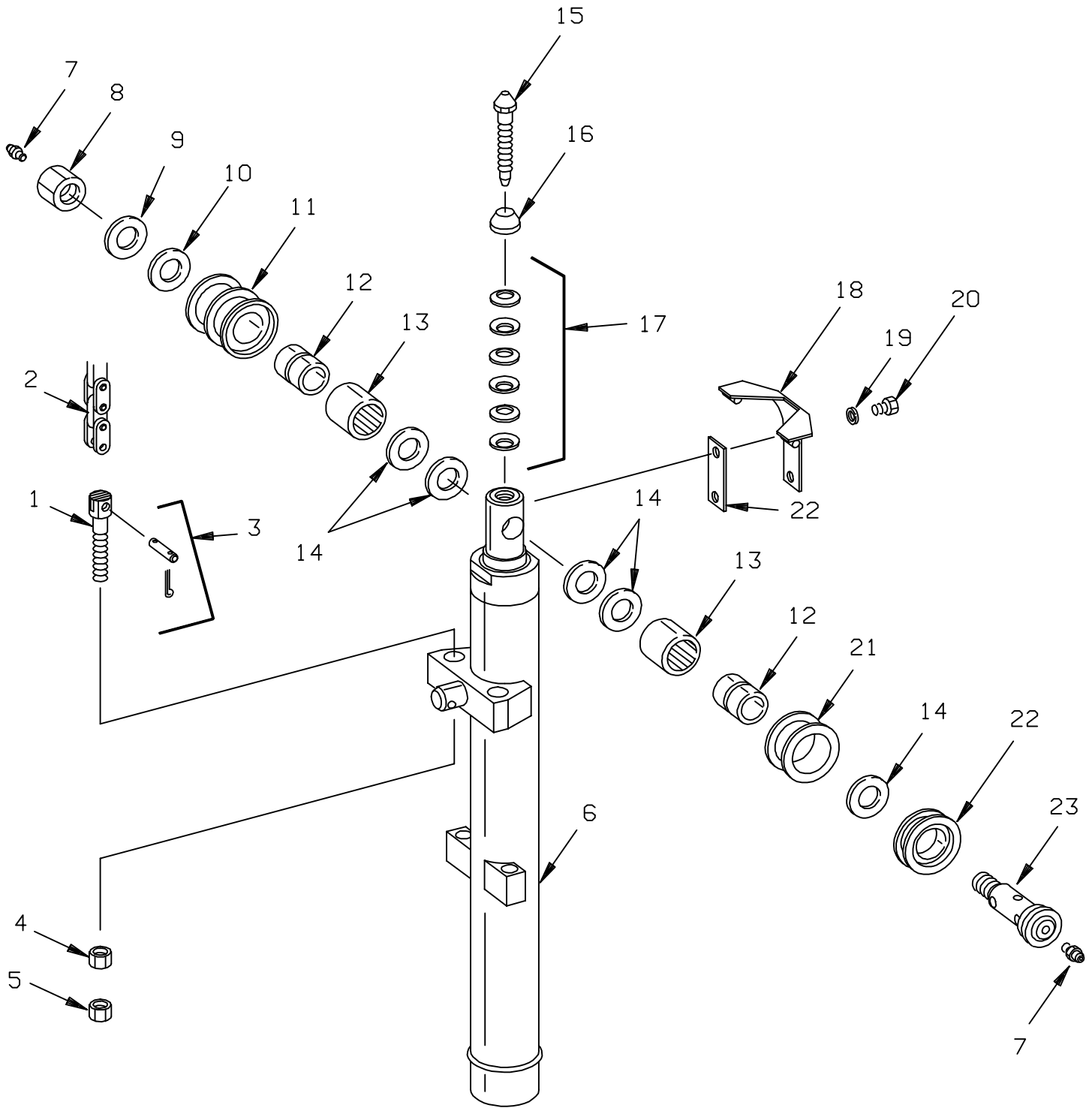


FIGURE # 5.16 THREE STAGE SIDESHIFTER ASSY. (41949-00 * 4" STROKE * 31" WIDE)
 (41949-01 * 6" STROKE * 31" WIDE)
 (41949-02 * 8" STROKE * 31" WIDE)

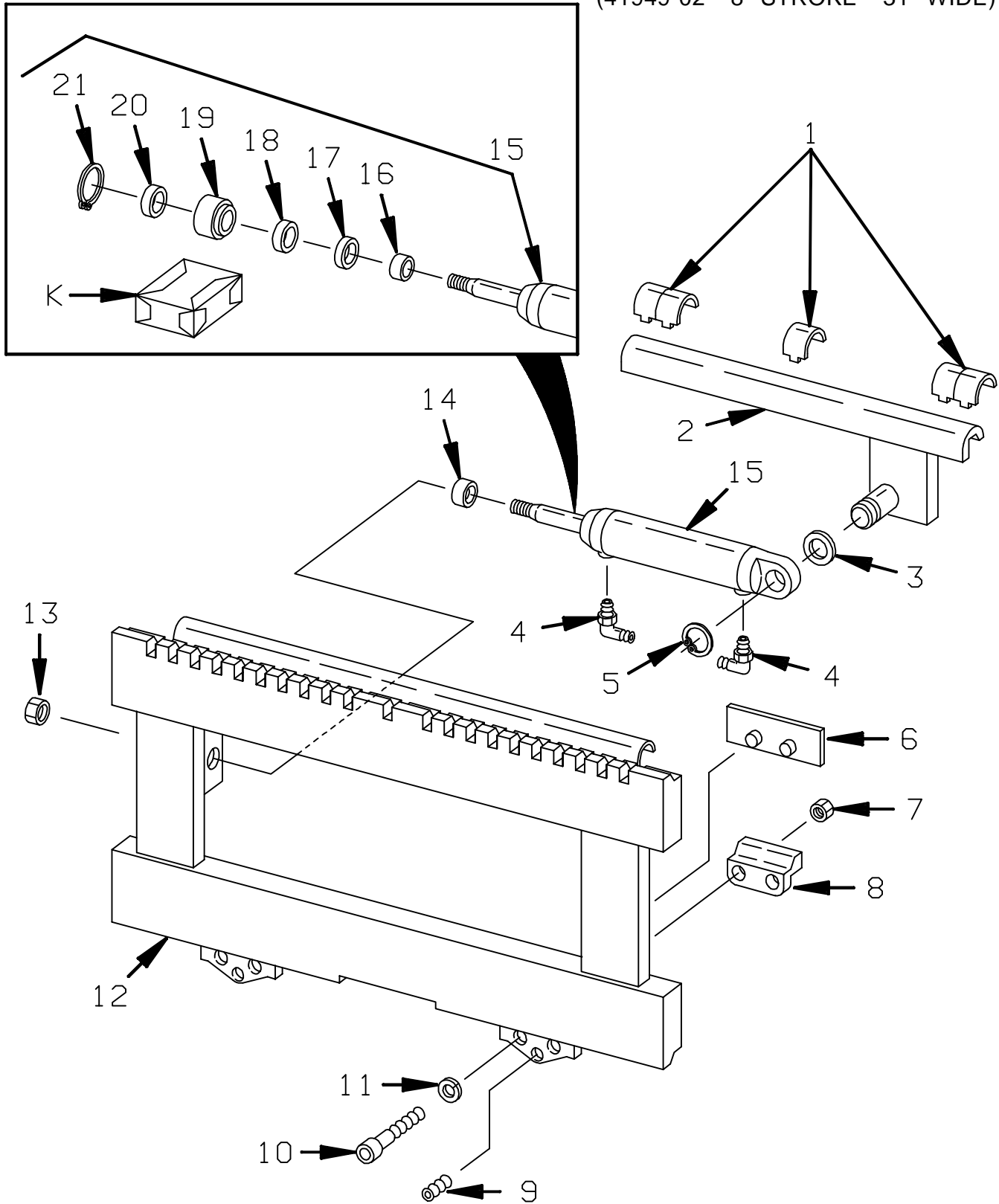


FIGURE # 6.5 REMOTE LIFT/LOWER REACH AND PLATFORM CABLE ASSEMBLY

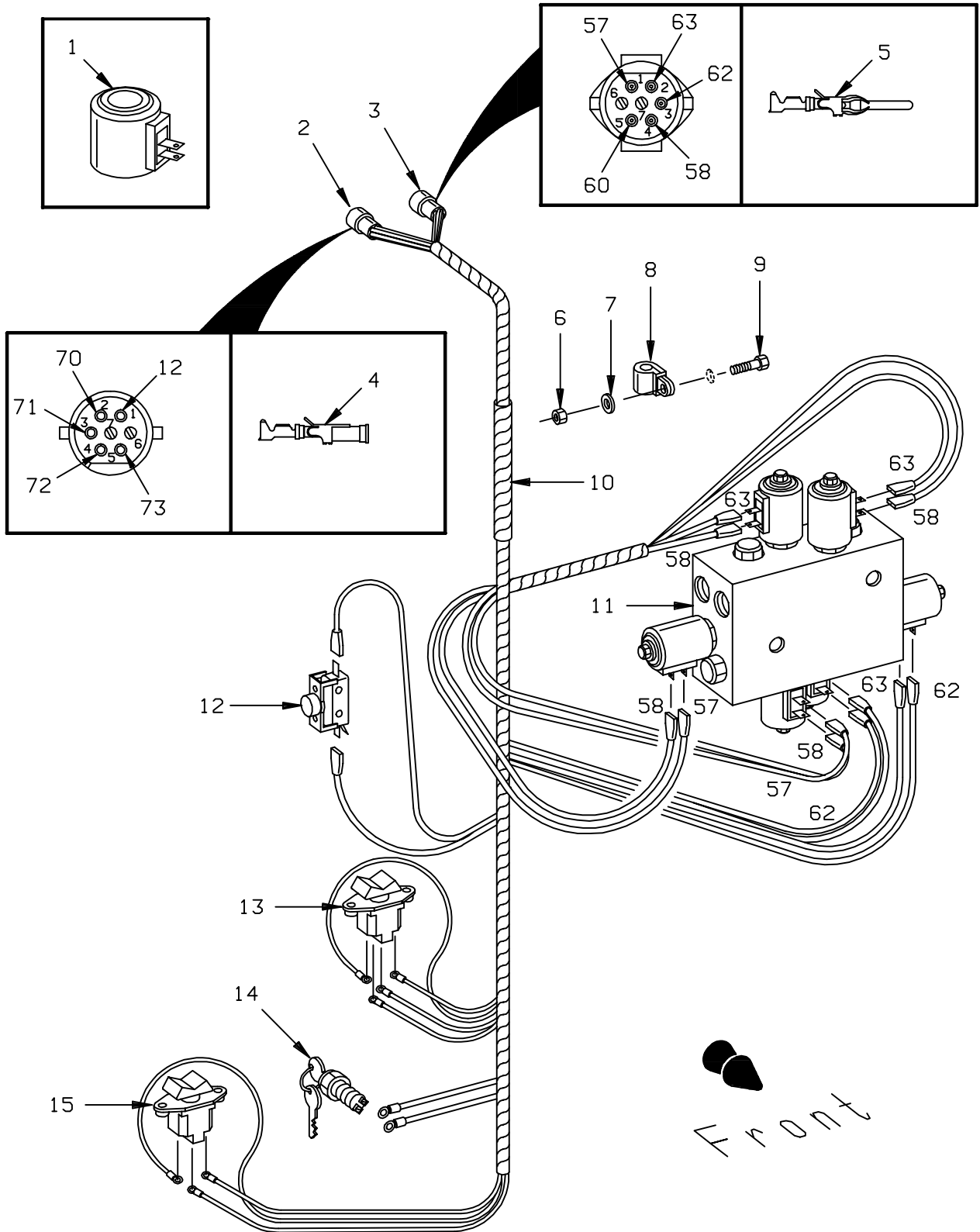


FIGURE # 6.11 BLOCKING REMOTE LIFT/LOWER VALVE ASSEMBLY (24 VOLT, 41461-01)
(36 VOLT, 41461-00)

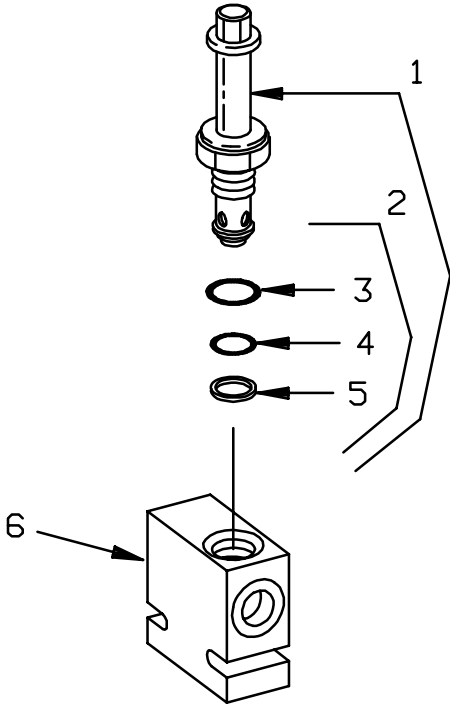
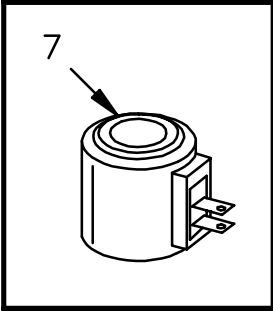
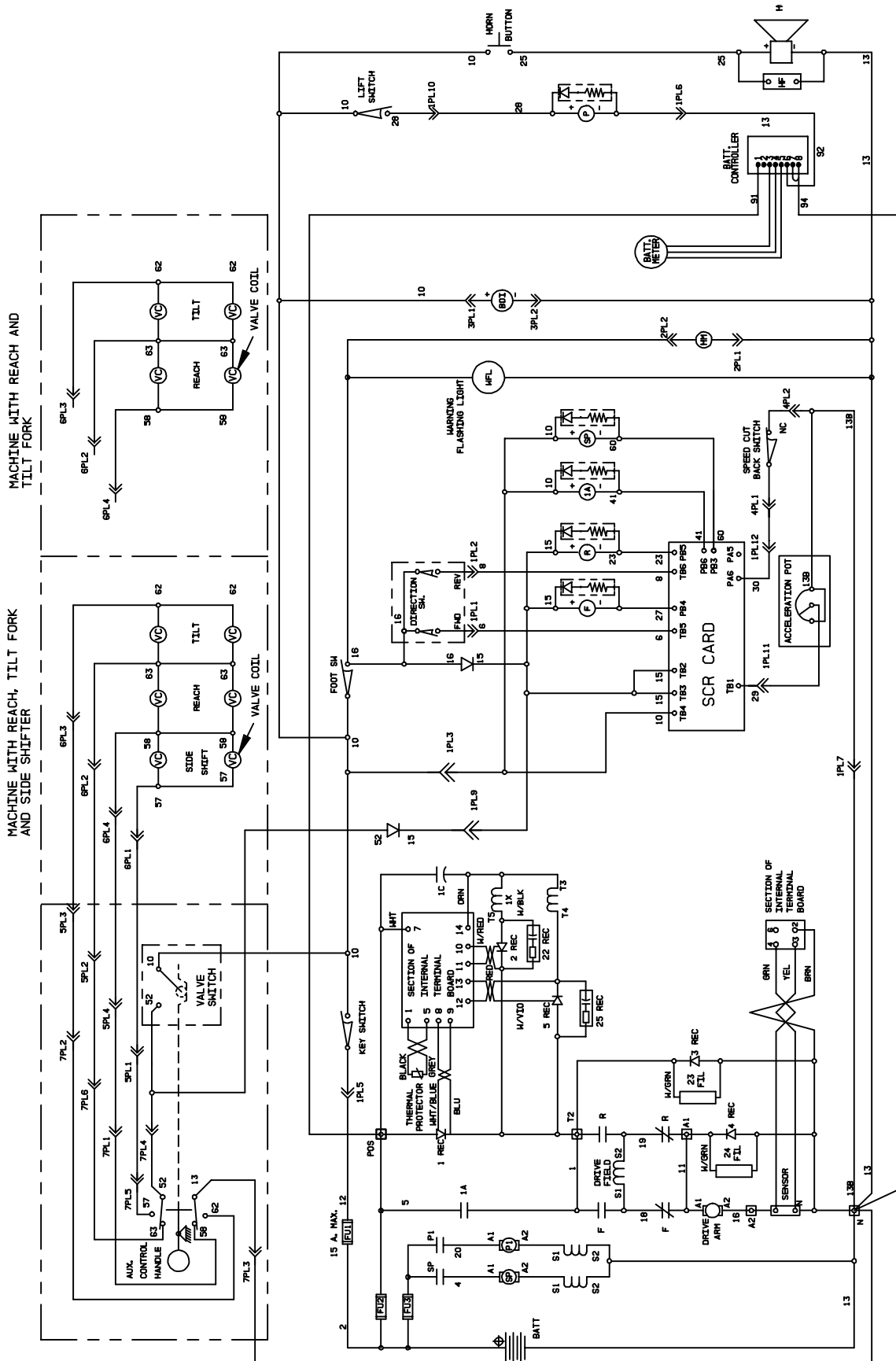


FIGURE # 7.3 BATTERY LIFT INTERRUPT "EE" EV-100LX SCR ELECTRICAL SCHEMATIC



“EE” ELECTRICAL SCHEMATIC

MODEL RR-34B ELECTRIC REACK TRUCK

NUMERICAL INDEX

<u>PART #</u>	<u>FIG. #</u>	<u>ITEM #</u>	<u>PART #</u>	<u>FIG. #</u>	<u>ITEM #</u>
11857-10	5.10	6	12318-01	1.4	20
11857-10	5.13	6	12318-03	3.12	6
11857-10	5.14	30	12318-06	3.12	1
11857-10	5.12	18	12318-11	3.7	5
11857-11	5.14	30	12391-01	3.12	5
11857-11	5.10	6	12391-03	3.28	53
11857-11	5.13	6	12391-03	3.12	7
11857-11	5.12	18	12391-03	3.14	4
11857-12	5.5	30	12391-03	3.21	20
11857-12	5.2	1	12391-03	3.14	9
11857-12	5.13	6	12391-03	1.4	21
11857-12	5.3	1	12391-03	3.14	29
11857-14	4.11	6	12391-03	3.11	18
11857-15	4.10	6	12391-03	3.11	10
11857-16	4.11	7	12391-03	3.11	16
11857-17	4.10	7	12391-04	3.14	25
11857-18	4.9	6	12391-05	3.3	31
11872-02	1.3	17	12391-05	3.3	17
11873-16	4.6	27	12391-05	3.3	14
11873-16	4.5	37	12391-05	3.3	11
11873-19	4.3	23	12391-05	3.3	24
11875-09	4.5	14	12391-05	3.9	7
11880-08	1.2	40	12391-05	3.30	13
11880-08	2.31	*	12391-05	3.10	10
11880-08	4.2	18	12391-05	3.10	7
11880-09	4.3	7	12391-05	3.30	9
11880-12	6.3	*	12391-05	3.28	17
11884-01	4.1	4	12391-05	3.28	35
11884-10	6.13	14	12391-05	3.31	15
11890-03	1.4	6	12391-05	3.3	40
11890-03	5.4	5	12391-05	3.28	25
11890-05	1.3	15	12391-05	3.28	28
11890-10	5.1	11	12391-05	3.31	11
11894-06	4.1	2	12391-05	3.28	14
11894-06	3.24	6	12391-05	3.28	11
11897-03	3.25	2	12391-05	3.3	50
11897-03	3.22	1	12391-06	3.23	55
11897-03	3.24	2	12391-06	3.12	1
11898-02	4.11	4	12391-06	3.23	34
11898-04	5.10	3	12391-06	3.28	6
11898-11	4.9	1	12391-06	3.3	6
11898-11	4.10	4	12391-06	6.10	18
11935-06	1.4	27	12391-06	6.10	11
11936-01	1.4	32	12391-07	3.21	7
11936-07	5.10	10	12391-07	3.16	15
11936-10	5.10	4	12391-07	3.23	24
11936-15	1.4	28	12391-07	1.3	33
11936-16	1.4	26	12391-07	3.23	7
11936-17	4.5	29	12391-07	3.23	38
11954-03	6.5	9	12391-07	3.23	43
11965-07	1.2	19	12391-07	3.3	47
12318-01	3.12	4	12391-07	3.23	47

CLICK HERE TO **DOWNLOAD** THE COMPLETE MANUAL

- Thank you very much for reading the preview of the manual.
- You can download the complete manual from: www.heydownloads.com by clicking the link below



- Please note: If there is no response to CLICKING the link, please download this PDF first and then click on it.

CLICK HERE TO **DOWNLOAD** THE COMPLETE MANUAL