

PARTS MANUAL

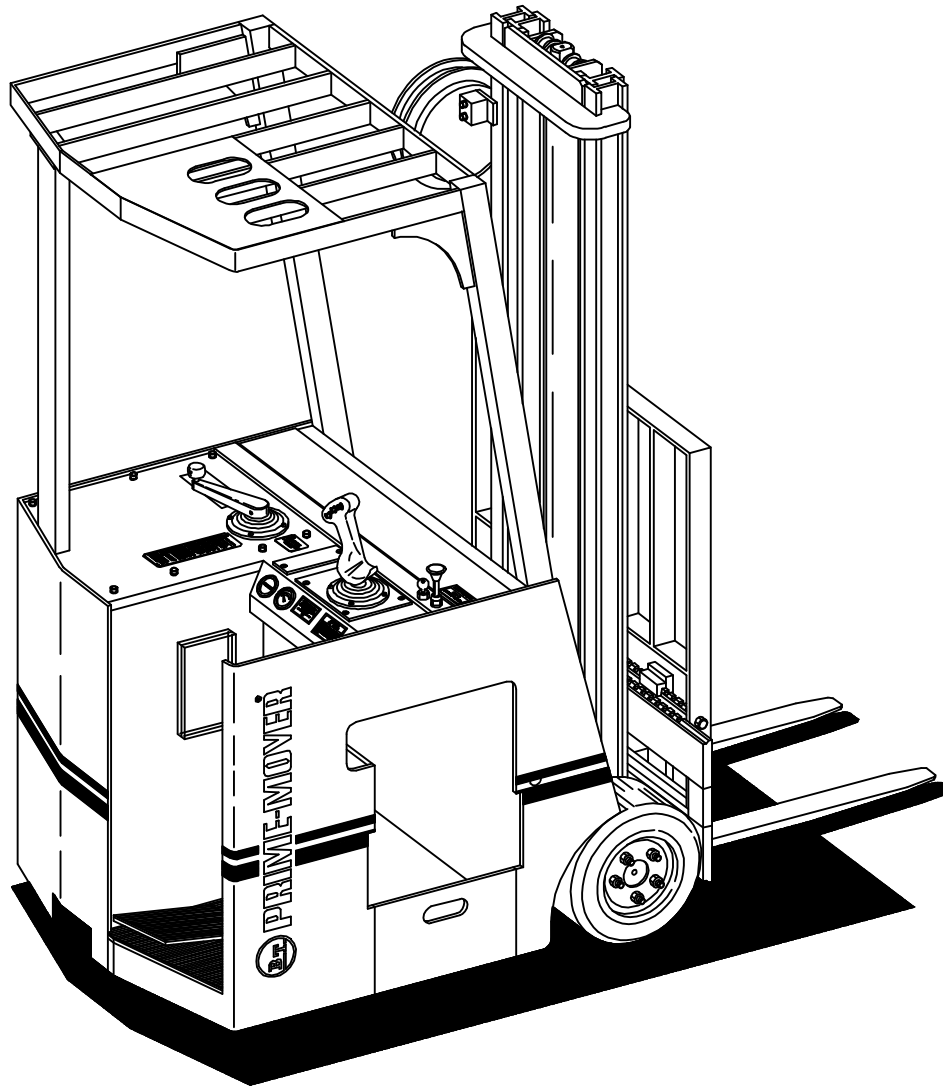
Manual Number 9209

Manual Part Number 301978-000

RC-30B ELECTRIC STAND-UP RIDER COUNTERBALANCED TRUCK

RC-30B

Effective Serial Number 40-17290



⚠️ WARNING

Read and observe all warnings on this unit before operating it.

⚠️ WARNING

DO NOT operate this equipment unless all factory installed guards and shields are properly secured in place.

CLICK HERE TO **DOWNLOAD** THE COMPLETE MANUAL

- Thank you very much for reading the preview of the manual.
- You can download the complete manual from: www.heydownloads.com by clicking the link below



- Please note: If there is no response to CLICKING the link, please download this PDF first and then click on it.

CLICK HERE TO **DOWNLOAD** THE COMPLETE MANUAL

MULTI FUNCTION FRAME (STANDARD)

ITEM #	PART #	DESCRIPTION	# FOR ASSY.	UNIT
1	301900-245	Frame assembly, RC-30B	1	
2	301900-246	Pad, drivers compartment	1	
3	301900-247	Screw, socket flat head	3	
4	301900-248	Screw, socket head cap	4	
5	301900-249	Door, rear	1	
6	301900-250	Pin, clip hair	4	
7	301900-251	Pin, hinge	2	
8	301900-252	Ring. snap	2	
9	301900-253	Latch, door	4	
*	301900-254	Key, door	1	
10	301900-255	Screw, socket button head	27	
11	301900-256	Lock nut, NYLON insert	21	
12	301900-257	Plate, battery stop	2	
13	301900-258	Brace, cross	1	
14	301900-259	Cover, front	1	
15	11016-01	Washer, flat	25	
16	11009-04	Lockwasher	4	
17	301900-260	Bracket	1	
18	301900-261	Bracket	1	
19	301900-262	Screw, cap	6	
20	301900-263	Cover, top - rear	1	
21	301901-332	Dash	1	
22	301901-333	Control plate - top	1	
23	301900-266	Door assembly - top	1	
24	301900-267	Pin, cylinder	2	
25	301900-268	Pad, brake pedal	1	
26	301900-269	Pad, floor	1	
27	301900-270	Screw, socket head cap	2	
28	11009-06	Lockwasher	2	

* - NOT SHOWN ON DRAWING

MULTI LEVER CONTROL LINKAGE (CONTINUED) (OPTIONAL)

ITEM #	PART #	DESCRIPTION	# FOR ASSY.	UNIT
56	301901-324	Plate, cover	2	
57	301901-325	Screw, phillips head	4	
58	301901-326	Handle, tilt lever	1	
59	301901-076	Knob, ball	1	
60	301901-256	Handle assembly, control (LESS CONTROL LEVER)	1	
61	301901-327	Lever, control	1	

STEERING ASSEMBLY (CONTINUED)

ITEM #	PART #	DESCRIPTION	# FOR ASSY.	UNIT
50	301900-335	Seal	3	
51	301900-336	Bearing, cone	3	
52	301900-337	Bearing, cup	3	
53	301900-338	Bearing, cup	1	
54	301900-339	Bearing, cone	1	
55	301900-340	Seal	1	
56	301900-341	Fork assembly, fork	1	
57	301900-342	Pin, roll	1	
58	301900-343	Axle assembly	1	
59	301900-344	Nut	1	
60	301900-345	Pin, cotter	1	
61	301900-346	Wheel, steer	1	
62	301900-347	Fitting, grease (NOT SHOWN)	1	
63	301900-348	Gear, 108 tooth	1	
64	301900-349	Spacer	1	

STEER TIRE

ITEM #	PART #	DESCRIPTION	# FOR ASSY.	UNIT
-----------	--------	-------------	----------------	------

1	301900-395	Tire, steer - rubber 10.5"x 7"x 6.5"	1	
---	------------	--------------------------------------	---	--

TRANSMISSION GROUP

MASTER CYLINDER ASSEMBLY

ITEM #	PART #	DESCRIPTION	301900-450	# FOR ASSY.	UNIT
1K	NSS	Boot		1	
2K	NSS	Lockwire		1	
3	NA	Plate, piston stop		1	
4K	NSS	Piston assembly		1	
5K	NSS	Cup, primary		1	
6K	NSS	Cup, spring retainer		1	
7	NA	Spring, return		1	
8	NA	Cap, spring seat		1	
9	NA	Body, master cylinder		1	
10K	NSS	Gasket, filler cap		1	
11	NA	Cap, filler		1	
K	301900-507	Kit, master cylinder seal (contains item marked with "K")		1	

NA - Not Available

NSS - Not Sold Separately

CARRIAGE - SIMPLEX

ITEM #	PART #	DESCRIPTION	# FOR ASSY.	UNIT
1	301900-956	Carriage, 36"	1	36"
1	301900-957	Carriage, 39"	1	39"
2	301900-902	Bearing, mast roller	6	
3	301900-955	Washer, retainer	2	
4	301900-900	Shim, .010"	As Req'd.	.010"
4	301900-901	Shim, .032"	As Req'd.	.032"
5	301900-954	Screw, socket head	4	

HYDRAULIC CONNECTIONS - TRIPLEX

ITEM #	PART #	DESCRIPTION	# FOR ASSY.	UNIT
1	301900-979	Fuse, flow - 15 gal.	4	15 Gal.
2	301900-972	Elbow, 90°	4	
3	301900-971	O ring	7	
4	301900-988	Hose assembly, 71/154 (67.00")	2	71/154
4	301900-989	Hose assembly, 83/189 (78.62")	2	83/189
4	301900-990	Hose assembly, 95/225 (90.00")	2	95/225
4	301900-991	Hose assembly, 107/243 (101.70")	2	107/243
4	301900-992	Hose assembly, 114/255 (108.50")	2	114/225
5	301900-980	Adapter	2	
6	301900-981	Elbow, 45°	2	
7	301900-993	Hose assembly, 71/154 (48.00")	2	71/154
7	301900-994	Hose assembly, 83/189 (60.00")	2	83/189
7	301900-995	Hose assembly, 95/225 (72.00")	2	95/225
7	301900-996	Hose assembly, 107/243 (84.00")	2	107/243
7	301900-997	Hose assembly, 114/255 (91.00")	2	114/225
8	301900-982	Elbow, 90°	2	
9	301900-983	Elbow, 90°	2	
10	301900-984	Hose assembly (12.00")	2	12" long
11	301900-985	Elbow, 90°	2	
12	301900-974	Adapter	1	
13	301900-978	Hose assembly (22.00")	1	22" long
14	301900-986	O ring	2	
15	301900-987	Block, port	1	
16	301900-970	Fuse, flow - 25 gal.	1	25 Gal.

MULTI FUNCTION HYDRAULICS (STANDARD)

ITEM #	PART #	DESCRIPTION	# FOR ASSY.	UNIT
47	301901-181	Hose assembly	2	
48	301900-974	Adapter	2	
49	301901-388	Adapter	1	
50	301901-389	Elbow, 45°	1	
51	301901-191	Hose assembly	1	
52	301901-190	Adapter	1	
53	301900-402	Pump assembly, PS (See Fig.# 03.05.00)	1	
54	26125-00	Generator, torque (See Fig.# 03.06.00)	1	
55	301901-096	Adapter	1	
56	301901-185	Hose assembly	1	
57	301901-183	Adapter	1	
58	301901-189	Adapter	1	
59	301901-543	Adapter	1	
60	301900-971	O ring	As Req'd.	
61	301901-195	O ring	As Req'd.	
62	301901-065	Elbow, 90°	1	

CLICK HERE TO **DOWNLOAD** THE COMPLETE MANUAL

- Thank you very much for reading the preview of the manual.
- You can download the complete manual from: www.heydownloads.com by clicking the link below



- Please note: If there is no response to CLICKING the link, please download this PDF first and then click on it.

CLICK HERE TO **DOWNLOAD** THE COMPLETE MANUAL

TRIPLEX LIFT CYLINDER ASSEMBLY - OUTER

ITEM #	PART #	DESCRIPTION	# FOR ASSY.	UNIT
*	301901-023	Lift cylinder assembly, 71/154	2	71/154"
*	301901-024	Lift cylinder assembly, 83/189	2	83/189"
*	301901-025	Lift cylinder assembly, 95/225	2	95/225"
*	301901-026	Lift cylinder assembly, 107/243	2	107/243"
*	301901-027	Lift cylinder assembly, 114/255	2	114/255"
1	301901-032	Piston, cylinder	2	
2	NA	Rod, cylinder	1	
3	NA	Tube assembly	1	
4K	NSS	O ring	1	
5K	NSS	Ring, back-up	1	
6	301901-033	Head, cylinder	1	
7K	NSS	U cup	1	
8K	NSS	Ring, wiper	1	
K	301901-029	Kit, cylinder seal (contains items marked with "K")	1	

ELECTRICAL GROUP

SCR PANEL - EV 100

301900-233

ITEM #	PART #	DESCRIPTION	# FOR ASSY.	UNIT
1	301901-043	Card, T-1 control	1	
2	200052	1 Rec	1	
3	200039	2 Rec	1	
4	200040	5 Rec	1	
5	200050	Snubber	4	
6	200038	Reactor	1	
7	200051	Spider and wire assembly	1	
8	201223	Capacitor	1	
9	300086-000	Thermal protector	1	
10	300087-000	3/4 rec assembly	1	
10A	200046	Heatsink	1	
10B	201297	3 Rec	1	
10C	201297	4 Rec	1	
10D	200048	Post	1	
11	200049	Shunt	1	
12	200054	Strap, capacitor	2	
13	200042	Bar, buss	1	
14	200044	Bar, buss	1	
15	200041	Bar, buss	1	
16	200043	Bar, buss	1	
17	200047	Bushing	1	
18	200045	Insulation, heatsink	1	
19	200059	Harness, wiring	1	

STEER PUMP CONTACTOR ASSEMBLY

ITEM #	PART #	DESCRIPTION	202170	# FOR ASSY.	UNIT
1	-----	Screw		2	
2	201993	Tip, stationary		2	
3	201994	Cover, top		1	
4	201995	Spring		1	
5	201992	Tip, movable		1	
6	202174	Coil assembly, 36 volt		1	
*	202014	Suppresser (supplied with coil)		1	

NA - Not Available

NSS - Not Sold Separately

Local purchase hardware for reference only.

RECOMMENDED SPARE PARTS LIST

PART #	DESCRIPTION	QUANTITY OF TRUCKS			
		1-5	6-10	11-15	16-20
301900-484	SLAVE CYLINDER	---	1	2	4
301900-506	SEAL KIT (SLAVE CYL)	2	2	4	6
301900-508	WHEEL BRAKE W/O DISC	---	---	2	2
301900-510	DISC (ASBESTOS FREE)	2	4	6	8
301900-902	BEARING, LOAD	2	4	6	8
301900-910	BEARING, CHAIN SHEAVE	1	2	3	4
301901-162	CARTRIDGE FILTER	1	2	3	4
301901-165	PUMP	---	---	1	1
301901-011	TILT CYL. - TRI.	---	---	---	1
301901-215	SEAL KIT, SPOOL	4	4	8	8
301901-216	SEAL KIT, RELIEF VALVE	3	3	6	6
301901-217	3-SPOOL CONTROL VALVE	---	---	1	1
301901-028	SEAL KIT, TRIPLEX INNER	---	---	1	2
301901-029	SEAL KIT, TRIPLEX OUTER	---	---	2	4
301901-001	SEAL KIT, TILT CYLINDER	---	---	2	4
23228-02	VOLTMETER	---	1	2	2
49965-00	MICRO SWITCH	2	4	6	8
301901-034	ACCEL. SWITCH	---	---	1	1
301901-235	WIRE HARNESS	---	---	1	1
301901-253	HORN	---	1	2	2
301901-254	HORN FILTER	---	---	1	2
301901-250	FUSE, 200A	1	2	3	4
301901-251	FUSE, 175A	1	2	3	4
301901-252	FUSE, 30A	1	2	3	4
301901-043	CARD, OSCILLATOR	1	1	2	2
201223	CAPACITOR, C1	---	---	1	1
200040	5 REC.	---	---	1	2
200039	2 REC.	---	---	1	2
200050	FILTER, 2 & 5 REC	---	---	1	2

SINGLE/DOUBLE HYDRAULIC CONTROL

ITEM #	PART #	DESCRIPTION	SINGLE AUX. QTY.	DOUBLE AUX. QTY.
1	301901-069	Elbow, 90°	4	6
2	301901-070	Elbow, 90°	2	2
3	301901-071	Adaptor	2	2
4	301901-072	O ring	4	4
5	301900-073	Hose assembly	2	4
6	301900-074	Fitting, bulkhead	2	4
7	-----	Control valve assembly (See Hydraulic Group)	---	---

STATIC BATTERY ROLLERS

ITEM #	PART #	DESCRIPTION	# FOR ASSY.	UNIT
1	301901-111	Bushing	20	
2	301901-107	Screw, cap	20	
3	301900-302	Nut, whiz lock	20	
4	301901-108	Shaft, roller	10	
5	301901-109	Roller and bearings	10	
6	301901-104	O ring	20	
7	11016-14	Washer, flat	40	

QUAD MAST SECONDARY CYLINDER ASSEMBLY

ITEM #	PART #	DESCRIPTION	# FOR ASSY.	UNIT
1	301901-411	Cylinder assembly, 80/222/58	1	80/222/58
1	301901-412	Cylinder assembly, 84/240/63	1	84/240/63
1	301901-413	Cylinder assembly, 89/258/67	1	89/258/67
1	301901-414	Cylinder assembly, 92/268/70	1	91/268/70
2	301901-416	Tube, 80/222/58	1	80/222/58
2	301901-417	Tube, 84/240/63	1	84/240/63
2	301901-418	Tube, 84/240/63	1	89/258/67
2	301901-419	Tube, 91/268/70	1	91/268/70
3	301901-421	Piston, 80/222/58	1	80/222/58
3	301901-422	Piston, 84/240/63	1	84/240/63
3	301901-423	Piston, 89/258/67	1	89/258/67
3	301901-424	Piston, 91/268/70	1	91/268/70
4	301901-426	Ring, wear	2	
5K	NSS	Seal	1	
6K	NSS	Wiper	1	
7	301901-427	Lockwire	1	
8	301901-428	Ring, wear	1	
9K	NSS	Ring, back-up	1	
10K	NSS	O ring	1	
11	301901-429	Fuse (Right Hand Only)	1	
11	301901-430	Ring, wear	1	
12	301901-431	Plug, base	1	
12	301901-432	Plug, base	1	
13	301901-433	Kit, seal (Contains items marked with "K")	1	
14	301901-434	Screw, flat head	1	
15	301901-435	Spacer	1	
16	301901-436	Shim	As Req'd.	

NA - Not Available**NSS - Not Sold Separately**

SPECIAL TOOLS AND LUBRICATIONS GROUP

MODEL RC-30B ELECTRIC STAND-UP RIDER COUNTERBALANCED TRUCK

NUMERICAL INDEX

<u>PART #</u>	<u>FIG. #</u>	<u>ITEM #</u>	<u>PART #</u>	<u>FIG.#</u>	<u>ITEM #</u>
301900-336	08.01.26	4	301900-388	06.01.10	31
301900-337	03.01.00	52	301900-389	06.01.10	32
301900-338	03.01.00	53	301900-390	06.01.10	33
301900-339	03.01.00	54	301900-391	06.01.10	34
301900-340	03.01.00	55	301900-392	06.01.10	K
301900-341	03.01.00	56	301900-394	04.01.01	2
301900-342	03.01.00	57	301900-395	04.02.01	1
301900-343	03.01.00	58	301900-396	03.05.00	1
301900-344	03.01.00	59	301900-397	03.05.00	2
301900-345	03.01.00	60	301900-398	03.05.00	3K
301900-346	03.01.00	61	301900-399	03.05.00	14K
301900-347	03.01.00	62	301900-400	03.05.00	16K
301900-347	08.01.26	22	301900-401	03.05.00	K
301900-348	03.01.00	63	301900-402	09.01.25	45
301900-349	03.01.00	64	301900-402	09.01.26	53
301900-350	06.01.10	1K	301900-404	06.01.10	19K
301900-351	06.01.10	2	301900-405	06.01.10	30
301900-352	06.01.10	3K	301900-406	05.01.00	*
301900-353	06.01.10	4K	301900-406	12.01.00	29
301900-354	06.01.10	5	301900-406	90.01.00	29
301900-355	06.01.10	6K	301900-407	05.01.00	*
301900-356	06.01.10	7K	301900-407	12.01.00	28
301900-358	06.01.10	8K	301900-407	90.01.00	28
301900-359	06.01.10	8K	301900-408	05.01.00	1
301900-360	06.01.10	9K	301900-409	05.01.00	2
301900-361	06.01.10	10	301900-410	05.01.00	3
301900-362	06.01.10	11	301900-412	05.01.00	*
301900-363	06.01.10	12	301900-413	05.01.00	5
301900-364	06.01.10	13	301900-414	05.01.00	6
301900-365	06.01.10	14	301900-415	05.01.00	7
301900-366	06.01.10	15	301900-416	05.01.00	8
301900-367	06.01.10	16	301900-417	05.01.00	9
301900-368	06.01.10	17K	301900-418	05.01.00	*
301900-369	06.01.10	18K	301900-420	05.01.00	11
301900-370	06.01.10	18K	301900-421	05.01.00	12
301900-371	06.01.10	18K	301900-422	05.01.00	13
301900-372	06.01.10	18K	301900-423	05.01.00	14
301900-373	06.01.10	*	301900-424	05.01.00	15
301900-374	06.01.10	20	301900-425	05.01.00	16
301900-375	06.01.10	21	301900-426	05.01.00	18
301900-376	06.01.10	22	301900-427	05.01.00	19
301900-377	06.01.10	23	301900-428	05.01.00	*
301900-378	06.01.10	23	301900-429	05.01.00	20
301900-379	06.01.10	23	301900-430	05.01.00	21
301900-380	06.01.10	23	301900-430	07.06.01	15KK
301900-381	06.01.10	24	301900-431	05.01.00	22
301900-382	06.01.10	25	301900-432	05.01.00	23
301900-383	06.01.10	26	301900-433	05.01.00	24
301900-384	06.01.10	27	301900-434	05.01.00	25
301900-385	06.01.10	28	301900-435	05.01.00	26
301900-386	06.01.10	29	301900-436	05.01.00	*
301900-387	06.01.10	*	301900-437	05.01.00	27

CLICK HERE TO **DOWNLOAD** THE COMPLETE MANUAL

- Thank you very much for reading the preview of the manual.
- You can download the complete manual from: www.heydownloads.com by clicking the link below



- Please note: If there is no response to CLICKING the link, please download this PDF first and then click on it.

CLICK HERE TO **DOWNLOAD** THE COMPLETE MANUAL