



BT Prime-Mover

PMX-1

● Parts Manuals

300097-000 1988_May
300097-001 1990_July



CLICK HERE TO **DOWNLOAD** THE COMPLETE MANUAL

- Thank you very much for reading the preview of the manual.
- You can download the complete manual from: www.heydownloads.com by clicking the link below



- Please note: If there is no response to CLICKING the link, please download this PDF first and then click on it.

CLICK HERE TO **DOWNLOAD** THE COMPLETE MANUAL

FIGURE # 3 SHIELDING ASSEMBLY

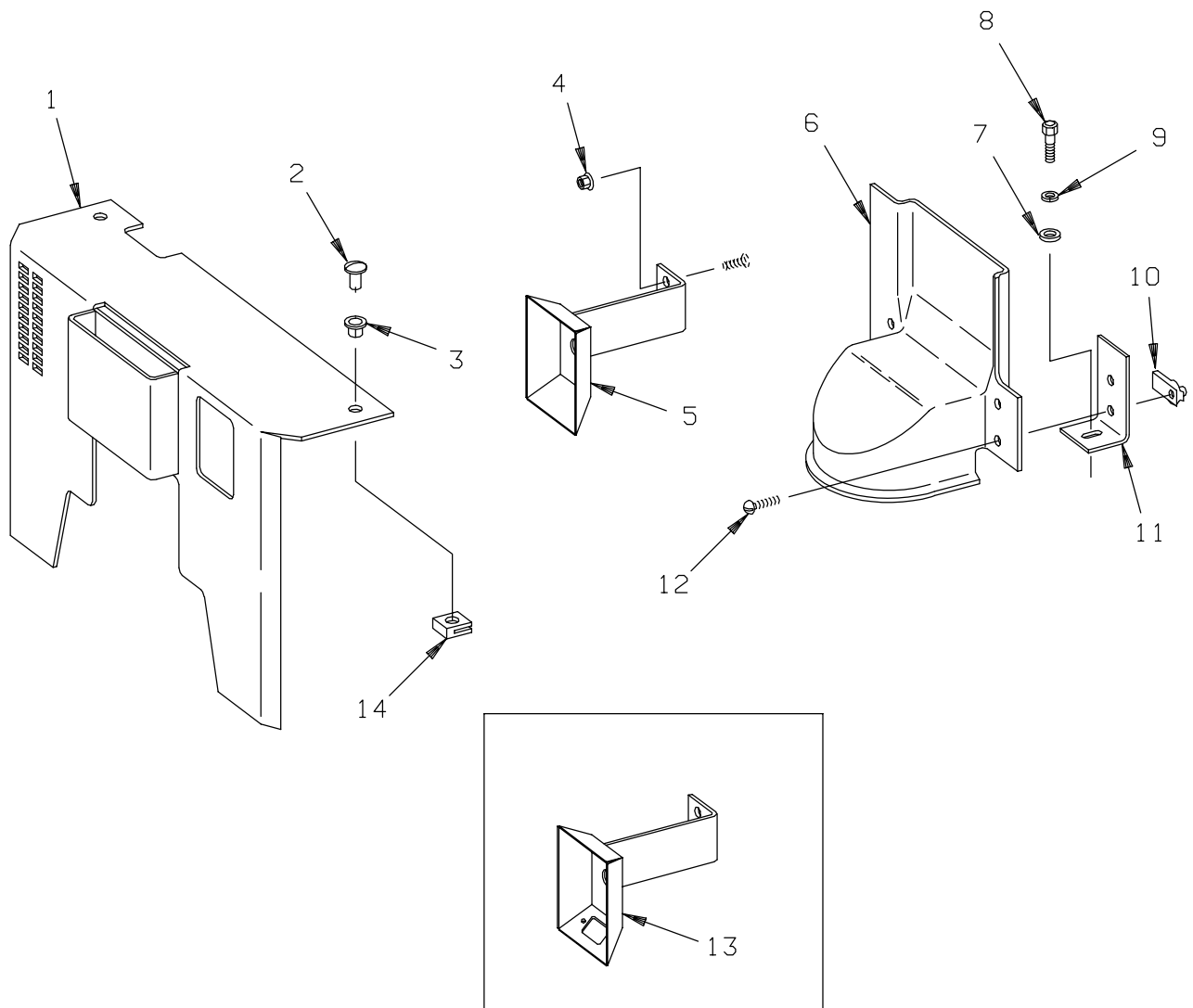
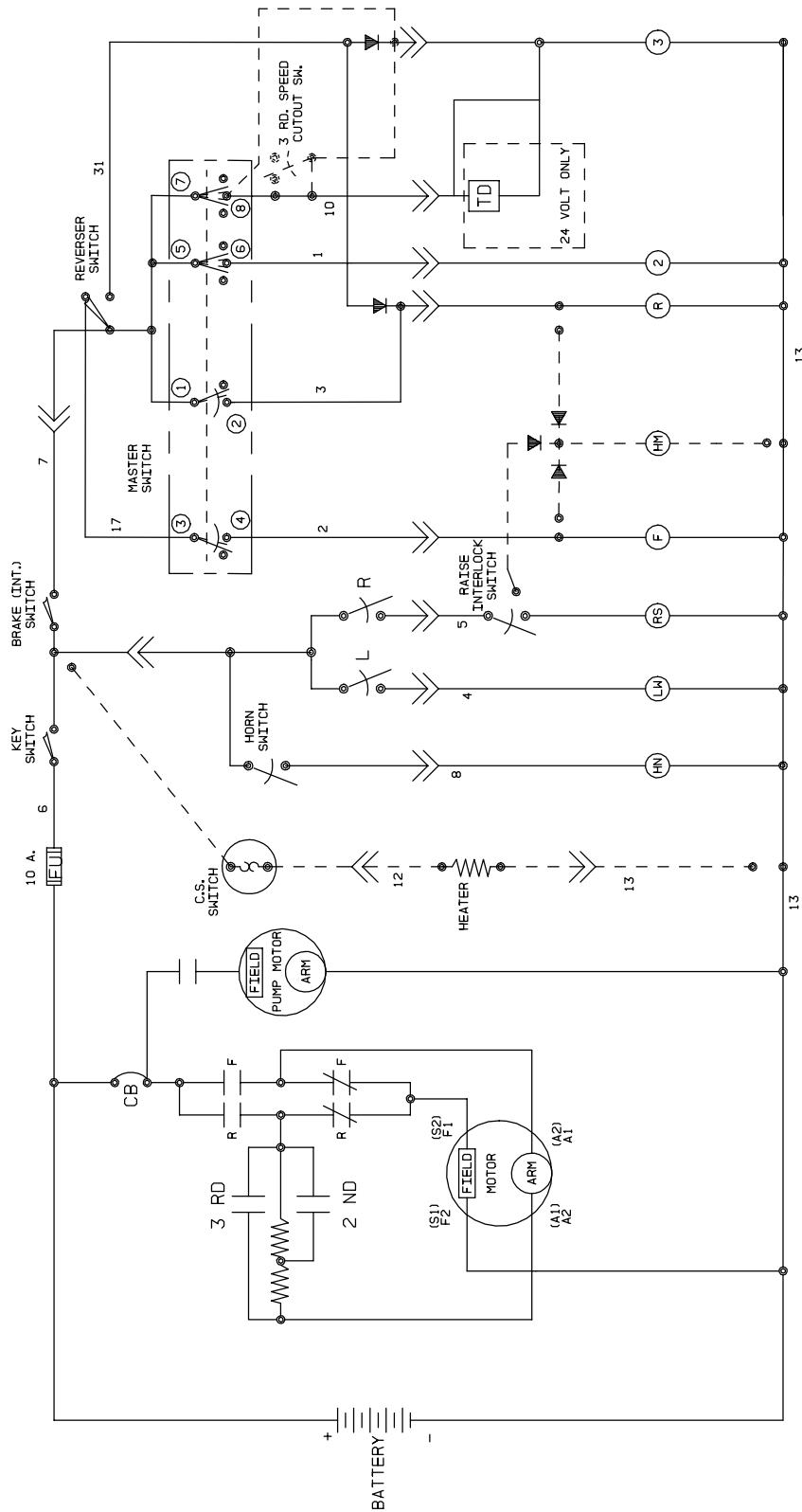


FIGURE # 8 CONTROL WIRING COMPONENTS



PMX-1 ELECTRICAL SCHEMATIC

FIGURE # 13 HIGH SPEED CONTACTOR ASSEMBLY (12 VOLT, 23015-00)
(24 VOLT, 23015-01)

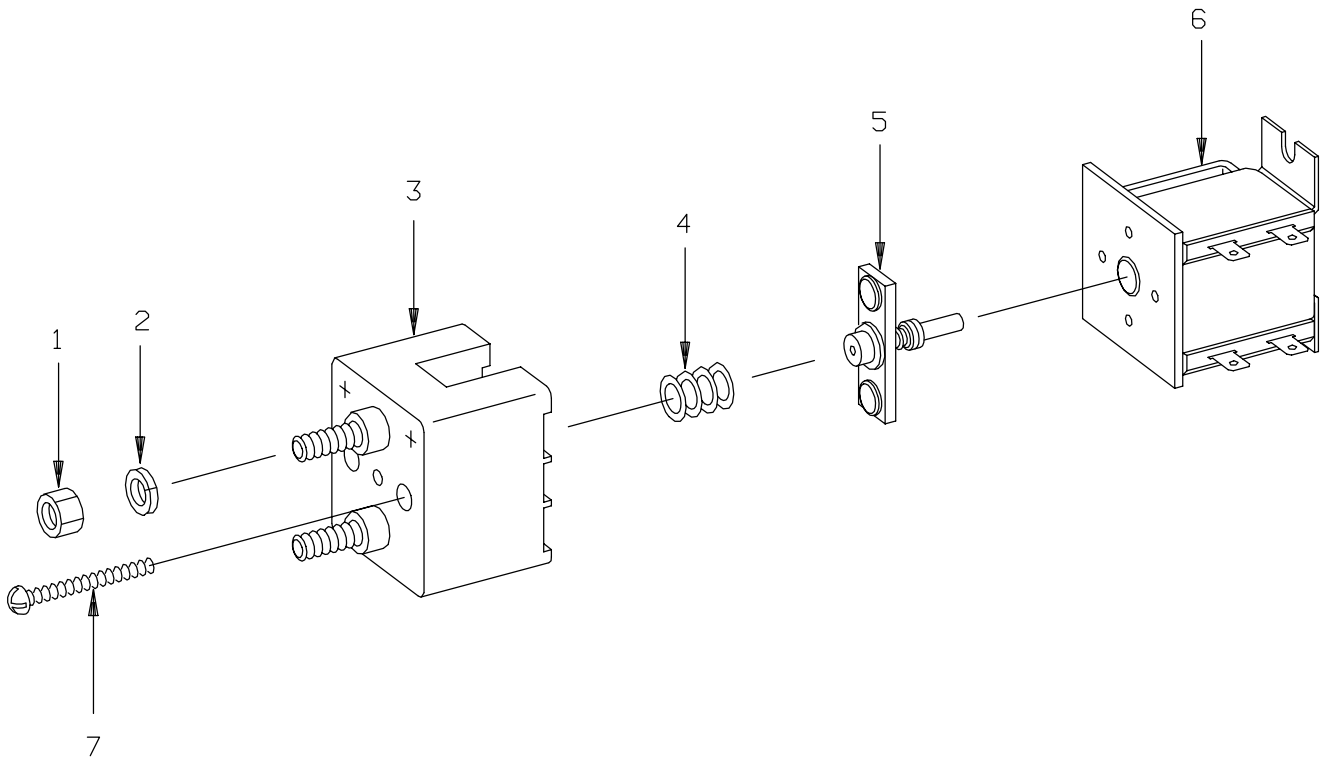


FIGURE # 18 LIFT FRAME AND CARRIER FRAME ASSEMBLY

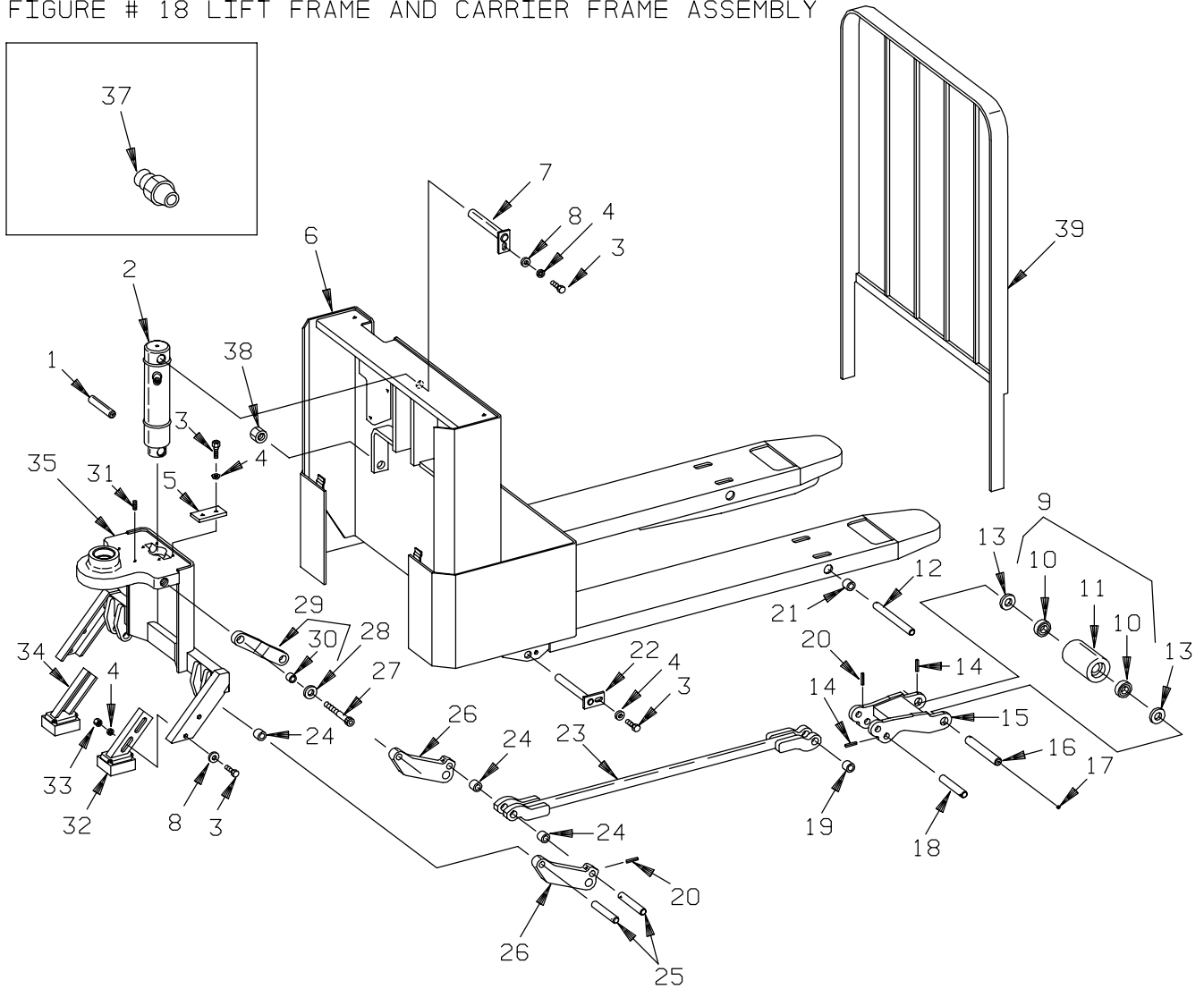


FIG #	ITEM #	PART #	NAME	# FOR ASSY.	UNIT
18	1	23107-00	Pin	1	
18	1	23192-00	Pin (cold storage)	1	
18	2	23023-00	Cylinder, lift (See Fig.# 15)	1	
18	3	11143-04	Screw, cap	7	
18	4	11009-06	Lockwasher	6	
18	5	23105-00	Block, pivot	2	
18	6	23076-00	Frame, 36" fork	1	36 inch
18	6	23076-01	Frame, 42" fork	1	42 inch
18	6	23076-02	Frame, 48" fork	1	48 inch
18	7	23106-00	Pin	1	
18	7	23191-00	Pin (cold storage)	1	
18	8	11016-13	Washer, flat	6	

MODEL PMX-1 ELECTRIC LOW LIFT TRUCK

NUMERICAL INDEX

This Numerical Index gives part numbers and figure numbers on which they are listed. Item number has also been listed for easier location of part numbers.

<u>PART #</u>	<u>FIGURE #</u>	<u>ITEM #</u>	<u>PART #</u>	<u>FIGURE #</u>	<u>PART #</u>
04981-00	8	14	11143-02	6	36
11009-01	11	11	11143-03	5	30
11009-03	8	4	11143-03	6	46
11009-03	11	16	11143-03	9	5
11009-04	11	23	11143-03	14	14
11009-04	21	7	11143-04	14	10
11009-05	3	9	11143-04	18	3
11009-05	19	13	11143-05	11	1
11009-06	6	45	11160-09	18	17
11009-06	9	4	11160-11	18	37
11009-06	14	11	11160-14	18	36
11009-06	18	4	11170-04	9	12
11014-21	5	42	11170-06	8	5
11015-42	6	21	11176-01	5	11
11016-01	11	24	11176-04	11	6
11016-02	5	31	11176-16	11	7
11016-02	19	12	11176-18	11	5
11016-02	20	2	11176-19	11	8
11016-02	20	2	11205-05	6	33
11016-03	9	1	11205-12	4	3
11016-04	11	2	11205-23	4	6
11016-04	21	6	11241-02	16	22
11016-05	3	7	11261-01	11	12
11016-13	8	3	11261-04	6	4
11016-13	14	12	11261-04	11	22
11016-13	18	8	11261-05	20	1
11016-16	18	28	11261-05	20	1
11016-21	11	10	11261-06	9	6
11016-23	8	11	11261-06	11	28
11016-25	11	15	11261-06	18	33
11025-01	5	27	11695-01	6	48
11030-06	6	30	11695-05	6	51
11039-22	6	39	11806-06	5	35
11045-02	21	8	11813-07	20	4
11045-06	9	11	11813-07	20	3
11047-03	5	25	11813-11	20	8
11047-07	5	40	11813-11	20	8
11047-28	5	23	11844-02	6	10
11047-29	5	26	11852-13	11	4
11072-13	5	8	11852-17	21	4
11072-13	5	15	11852-22	21	5
11073-26	5	51	11854-02	5	32
11073-29	5	21	11854-03	19	10
11073-33	18	20	11854-04	3	8
11073-40	18	14	11854-04	6	47
11129-03	11	17	11854-04	19	11
11129-05	6	54	11857-03	18	13
11135-02	6	6	11859-03	16	30

CLICK HERE TO **DOWNLOAD** THE COMPLETE MANUAL

- Thank you very much for reading the preview of the manual.
- You can download the complete manual from: www.heydownloads.com by clicking the link below



- Please note: If there is no response to CLICKING the link, please download this PDF first and then click on it.

CLICK HERE TO **DOWNLOAD** THE COMPLETE MANUAL

ALPHABETICAL INDEX

NAME	FIGURE #	PAGE #
A,B		
Battery blocks	5.3	5.5
Battery pack	5.1	5.1
Battery pack cable assembly	5.2	5.3
C		
Connector assembly	2.6	2.11
Control panel assembly (12 volt)	2.3	2.5
Control panel assembly (24 volt)	2.3	2.5
Control wiring components	2.1	2.1
Cylinder assembly	3.2	3.3
D,E		
Decals and parts list assembly	0.1	0.1
Drive motor assembly 12 volt (Q90-4001), ADVANCED	2.8	2.15
Drive motor assembly 24 volt (N90-4001), ADVANCED	2.9	2.17
Drive motor assembly 12 volt (MVL-4001), PRESTOLITE	2.7	2.13
Drive motor assembly 24 volt (MVM-4001), PRESTOLITE	2.7	2.13
F,G		
Forward and rearward contactor assembly (12 volt)	2.4	2.9
Forward and rearward contactor assembly (24 volt)	2.4	2.9
H,I,J,K		
Handle and transmission installation	1.1	1.1
Handle assembly	1.2	1.3
High speed contactor assembly (12 volt)	2.5	2.9
High speed contactor assembly (24 volt)	2.5	2.9
Hydraulic pump and motor assembly (12 volt)	3.3	3.5
Hydraulic pump and motor assembly (24 volt)	3.3	3.5
Hydraulic pump motor assembly (12 volt), BOSCH	2.11	2.20
Hydraulic pump motor assembly (24 volt), BOSCH	2.11	2.20
Hydraulic pump motor assembly (12 volt), PRESTOLITE	2.10	2.19
Hydraulic pump motor assembly (24 volt), PRESTOLITE	2.10	2.19
Hydraulic system assembly	3.1	3.1

FIGURE # 1.3 TRANSMISSION ASSEMBLY

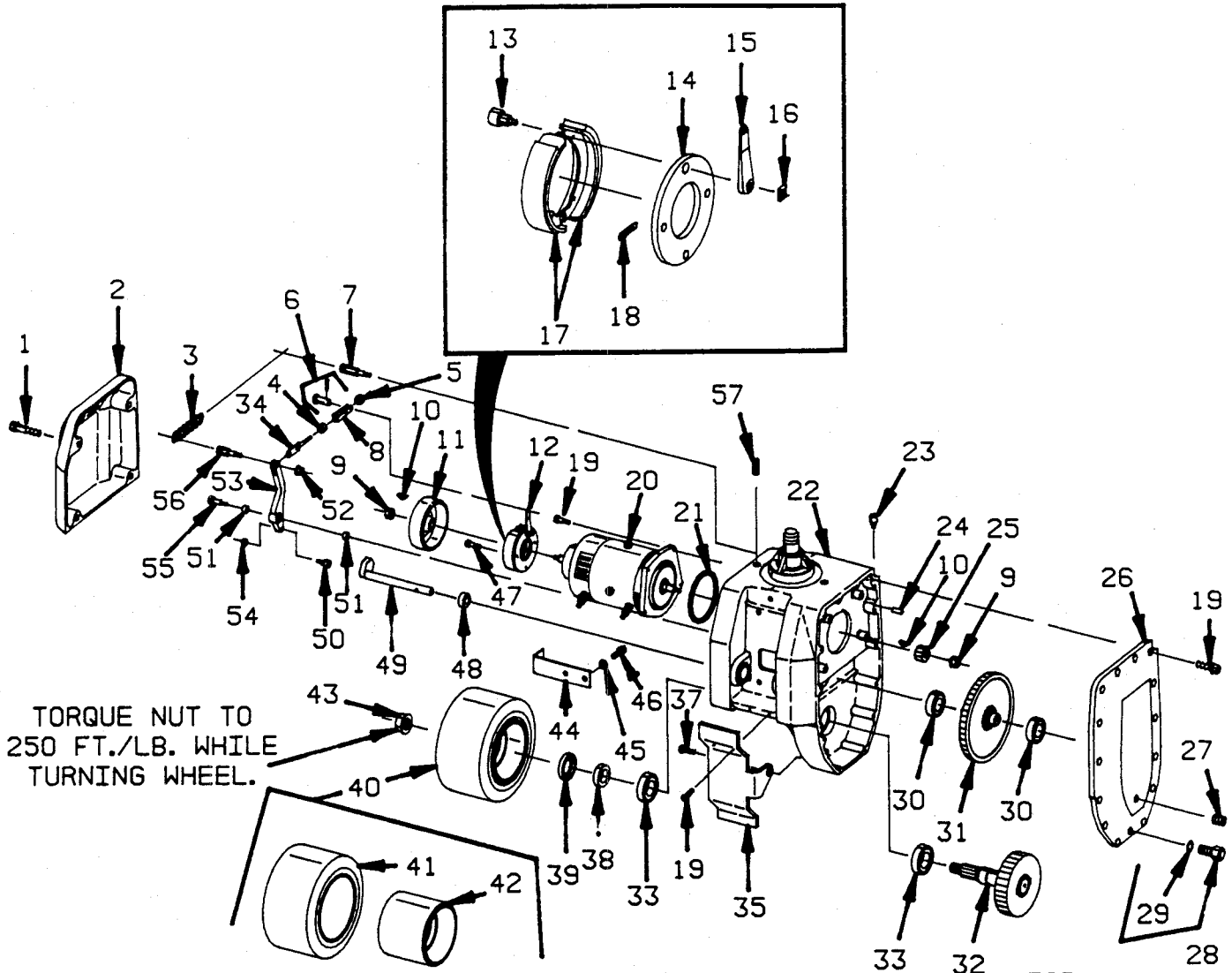


FIG #	ITEM #	PART #	NAME	# FOR ASSY.	UNIT
1.3	1	14989-20	Screw, 12 point	4	
1.3	2	23013-00	Cover, brake	1	
1.3	3	23049-00	Spring	1	
1.3	4	11261-04	Nut	1	
1.3	5	14892-04	Nut	1	
1.3	6	11135-02	Pin, yoke	1	
1.3	7	23050-00	Anchor, bolt	1	
1.3	8	23122-00	Clevis	1	
1.3	9	49751-11	Nut, flange lock	2	
1.3	10	11844-02	Key	2	
1.3	11	23019-00	Drum, brake	1	
1.3	12	23008-00	Brake assembly	1	
1.3	13	300199-000	Cam	1	
1.3	14	300200-000	Plate	1	
1.3	15	300201-000	Lever	1	
1.3	16	300202-000	Clip	1	

1.5

FIGURE # 2.5 HIGH SPEED CONTACTOR ASSEMBLY (12 VOLT, 23015-00)
(24 VOLT, 23015-01)

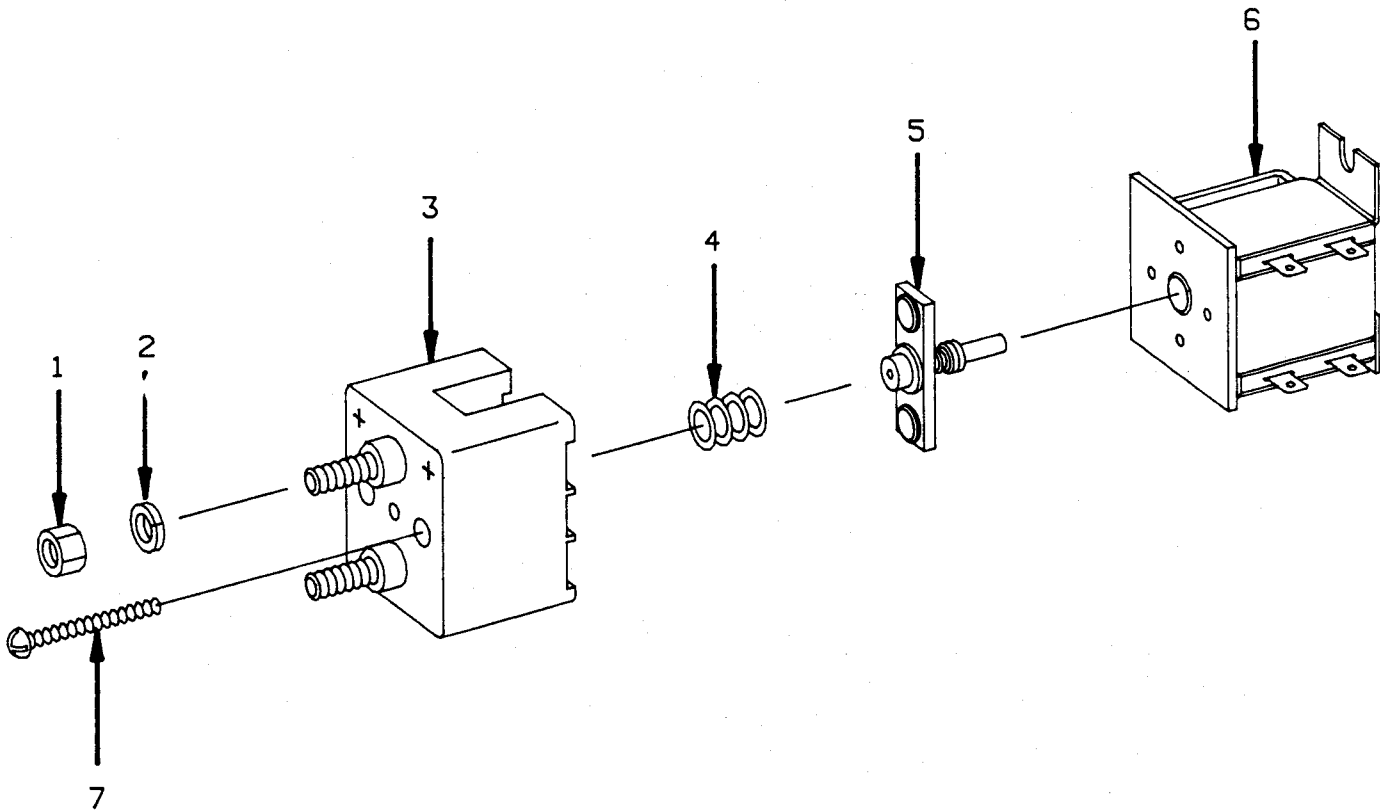
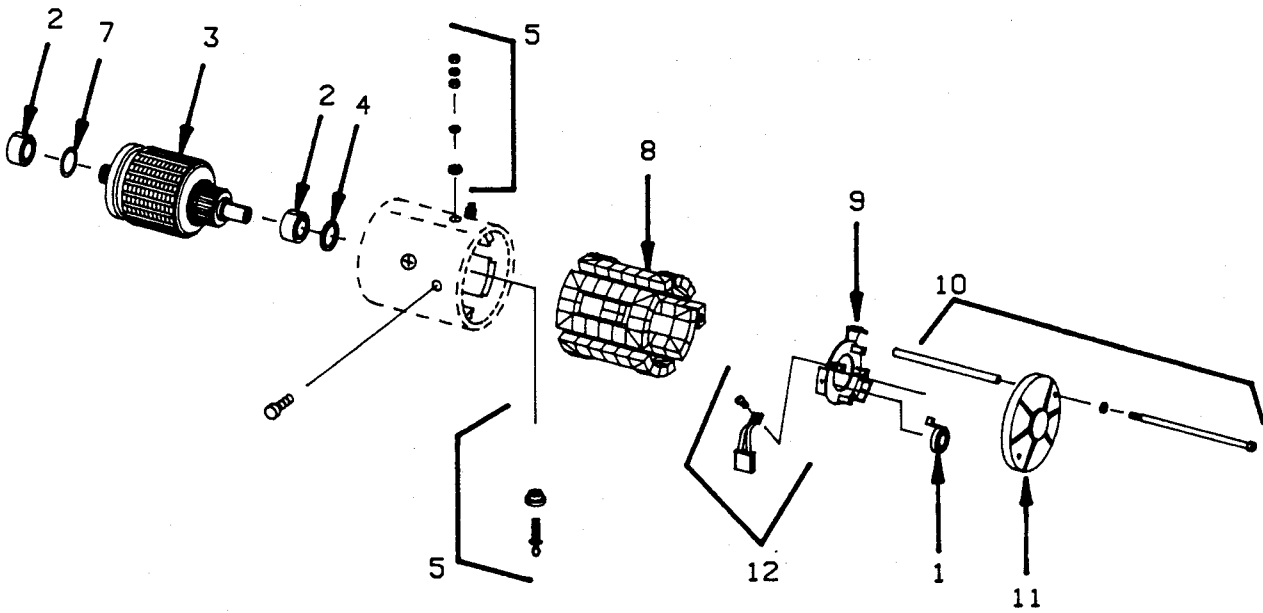


FIGURE # 2.10 PRESTOLITE HYDRAULIC PUMP MOTOR ASSEMBLY (12 VOLT, 300119-000)
PRESTOLITE HYDRAULIC PUMP MOTOR ASSEMBLY (24 VOLT, 300123-000)



PHANTOM ITEMS ARE NOT AVAILABLE

FIGURE # 4.1 SHIELDING ASSEMBLY

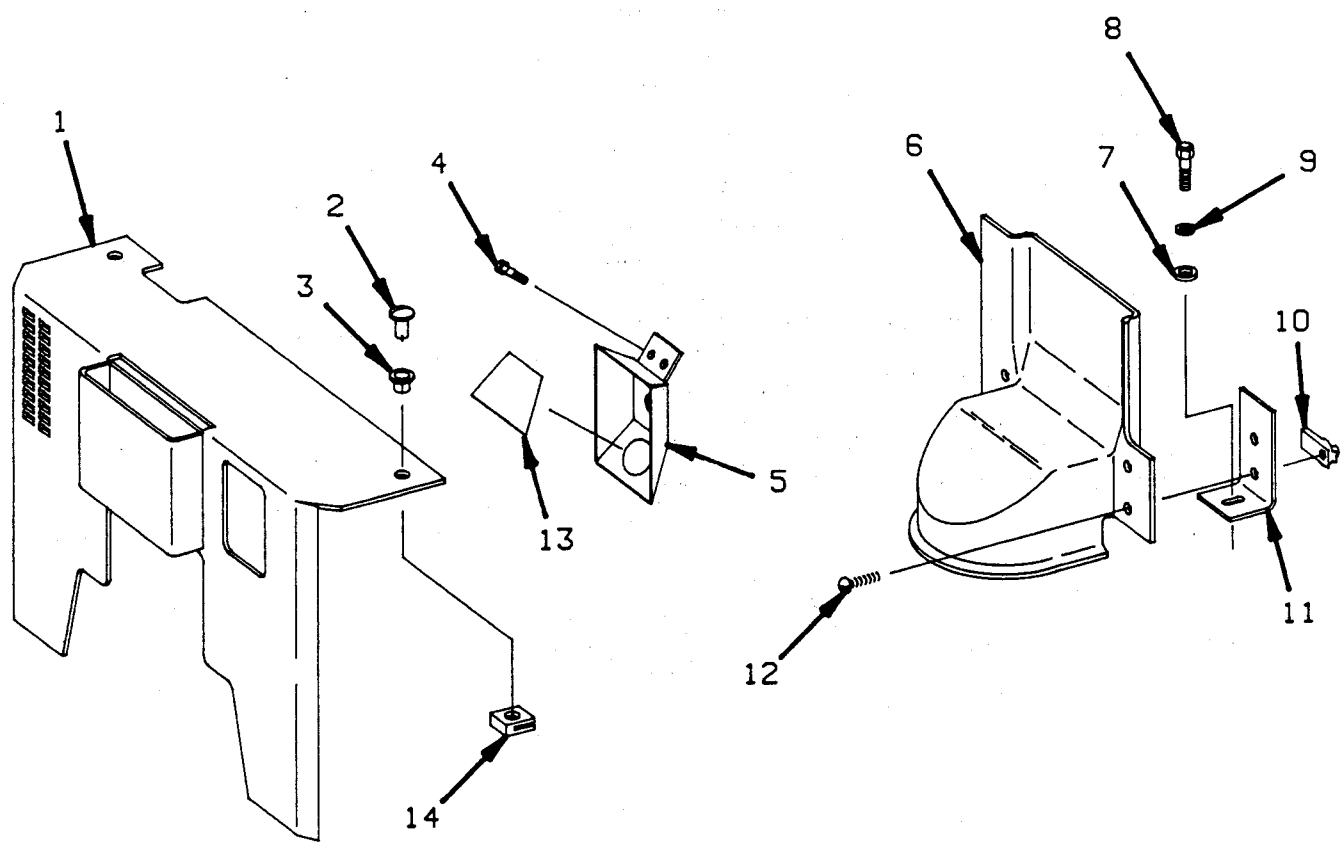
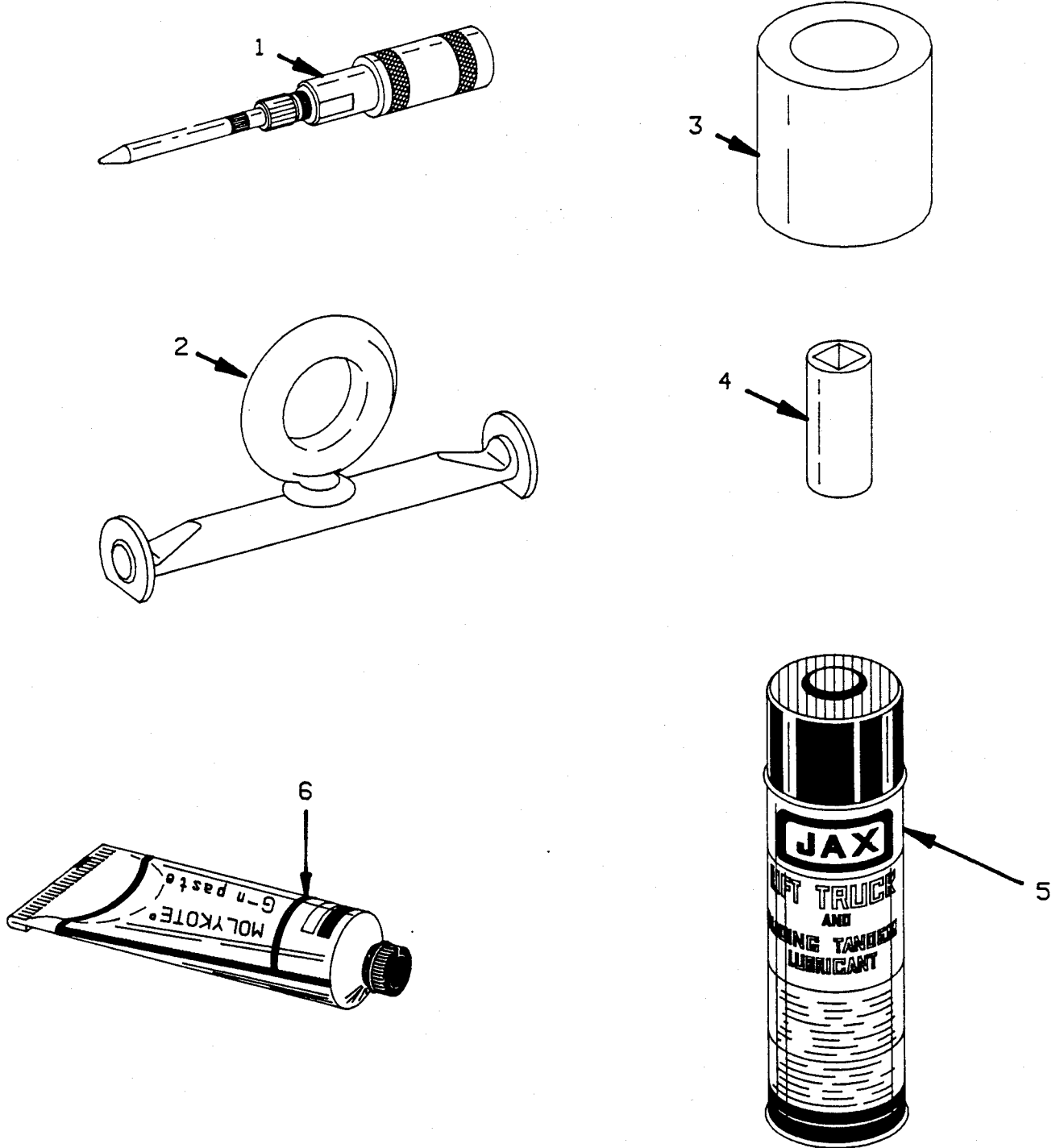


FIGURE # 6.1 SPECIAL TOOLS AND LUBRICATIONS



CLICK HERE TO **DOWNLOAD** THE COMPLETE MANUAL

- Thank you very much for reading the preview of the manual.
- You can download the complete manual from: www.heydownloads.com by clicking the link below



- Please note: If there is no response to CLICKING the link, please download this PDF first and then click on it.

CLICK HERE TO **DOWNLOAD** THE COMPLETE MANUAL