



BT Prime-Mover

MX-80

● Parts Manuals

301649-000 1992_February
301649-001 1993_April



CLICK HERE TO **DOWNLOAD** THE COMPLETE MANUAL

- Thank you very much for reading the preview of the manual.
- You can download the complete manual from: www.heydownloads.com by clicking the link below



- Please note: If there is no response to CLICKING the link, please download this PDF first and then click on it.

CLICK HERE TO **DOWNLOAD** THE COMPLETE MANUAL

FIGURE # 1.1 TRANSMISSION AND HANDLE ASSEMBLY

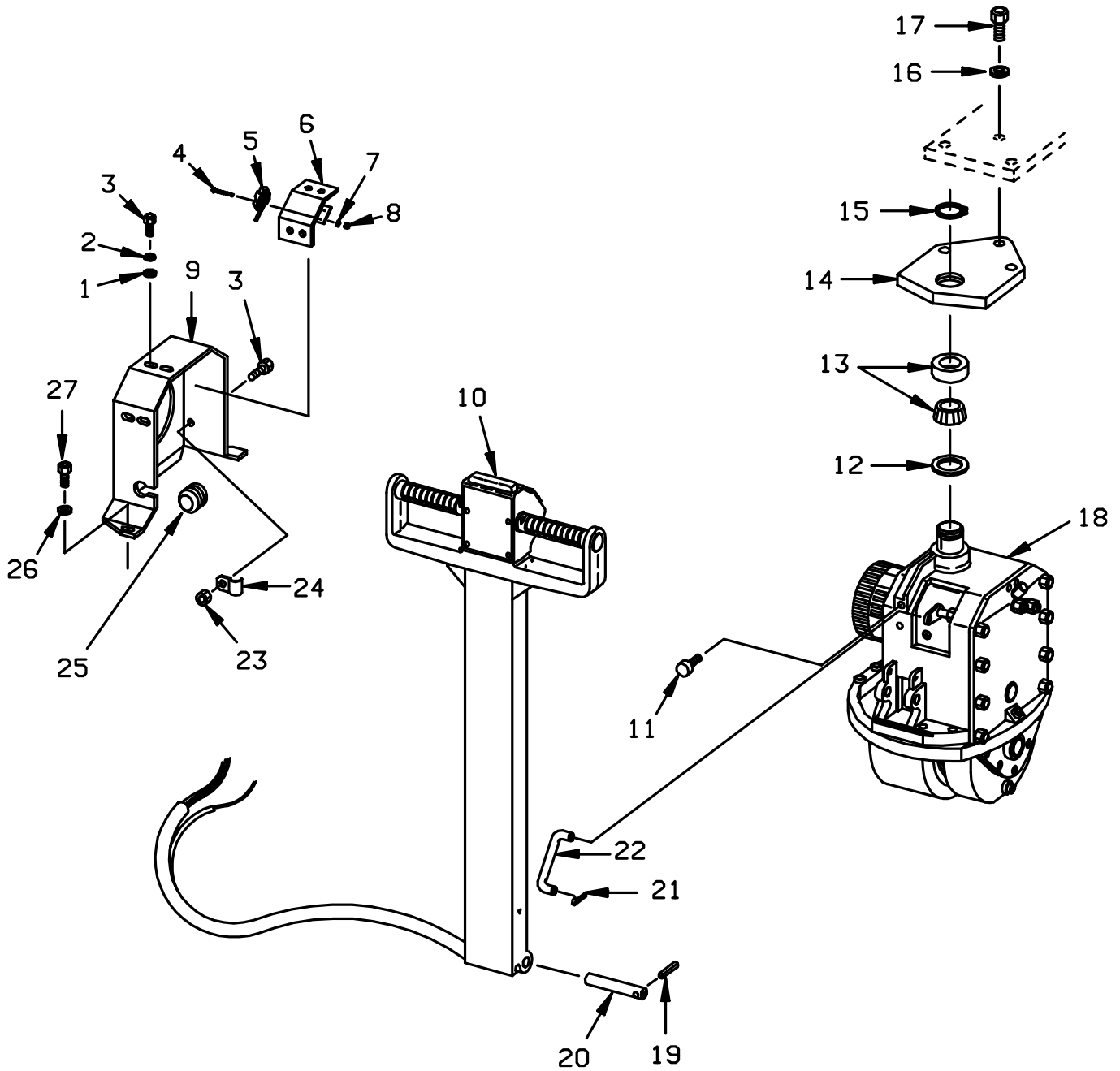
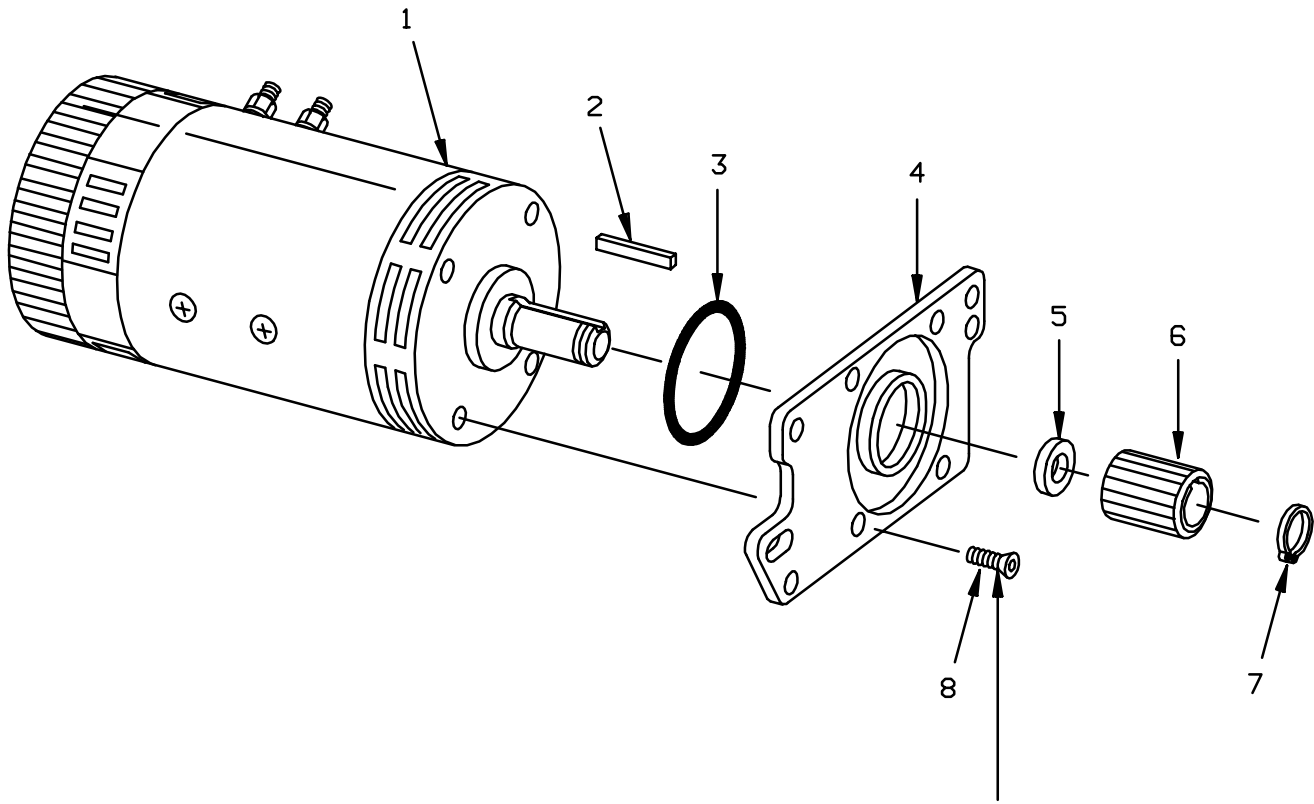


FIGURE # 1.6 DRIVE MOTOR ASSEMBLY

(MX-80 Advanced 12 volt 20190-01)
(MX-80 G.E. 24 volt 20844-01)
(RX-80 Prestolite 12 volt 20190-00)
(RX-80 G.E. 24 volt 20844-02)



TORQUE NUT TO
35 FT./LBS.

FIGURE # 2.6 RESISTOR CONTROL PANEL ASSEMBLY (12 VOLT, 27259-01)
(24 VOLT, 27259-02)

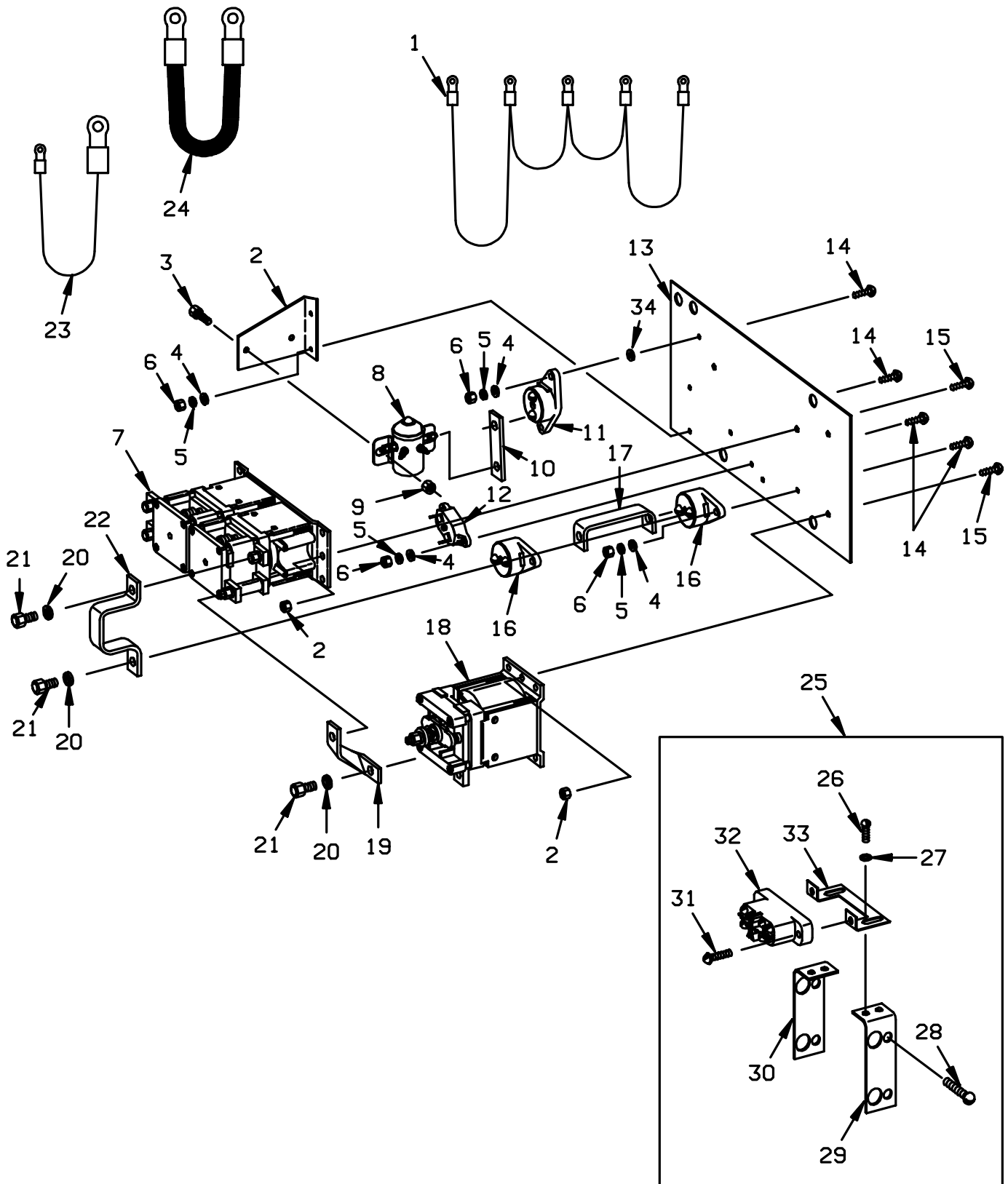


FIGURE # 2.11 RESISTOR FOURTH SPEED POWER COMPONENT WIRING

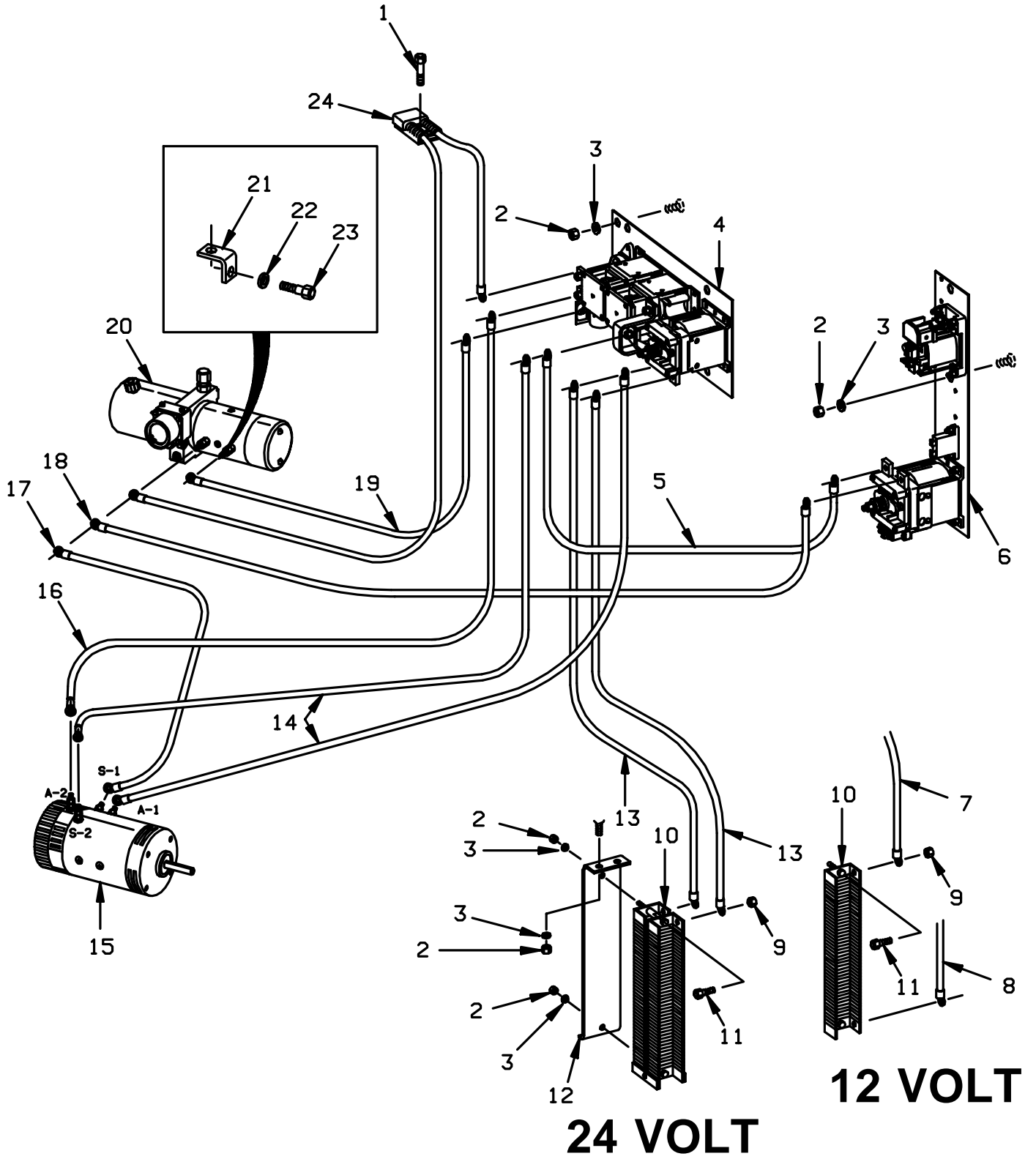
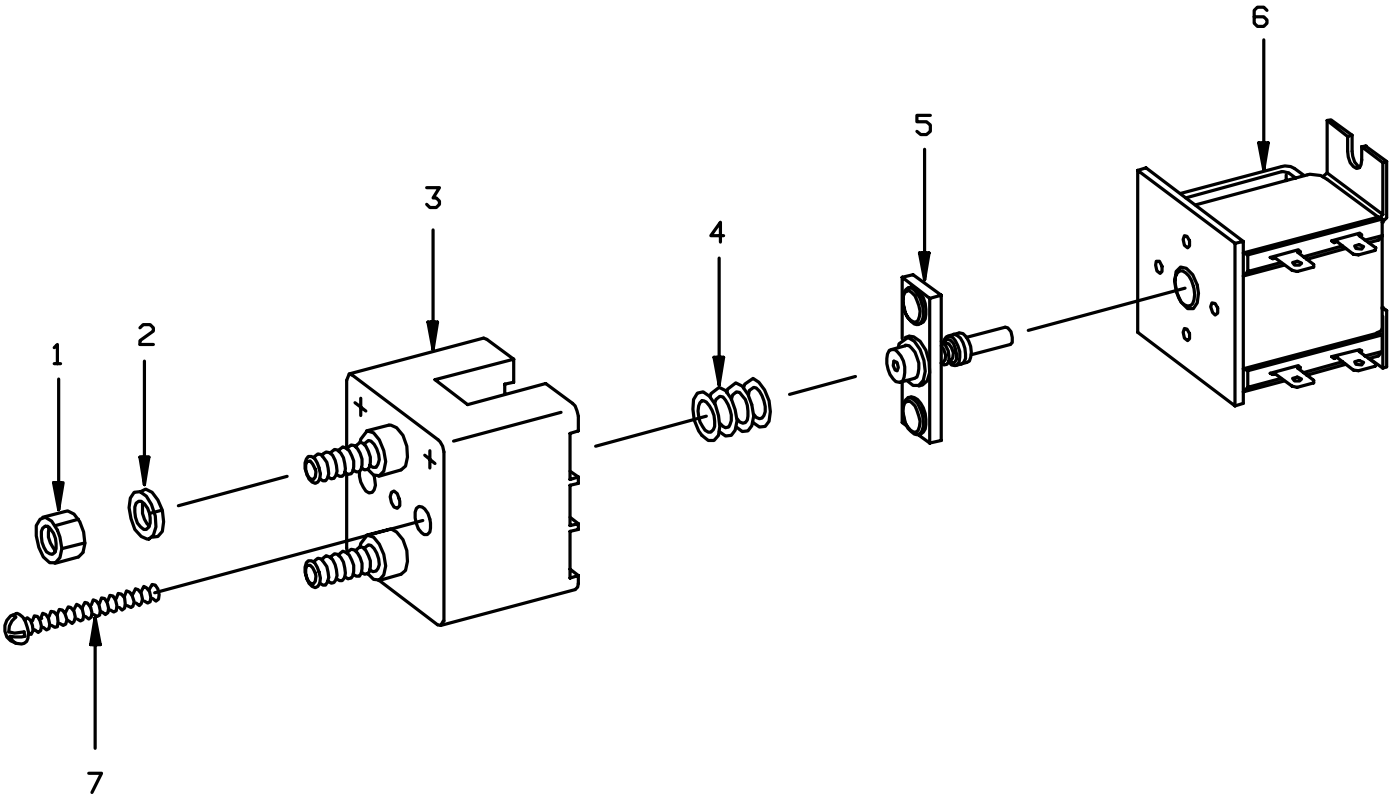


FIGURE # 2.23 HIGH SPEED CONTACTOR ASSEMBLY (24 VOLT, 23015-01)



CLICK HERE TO **DOWNLOAD** THE COMPLETE MANUAL

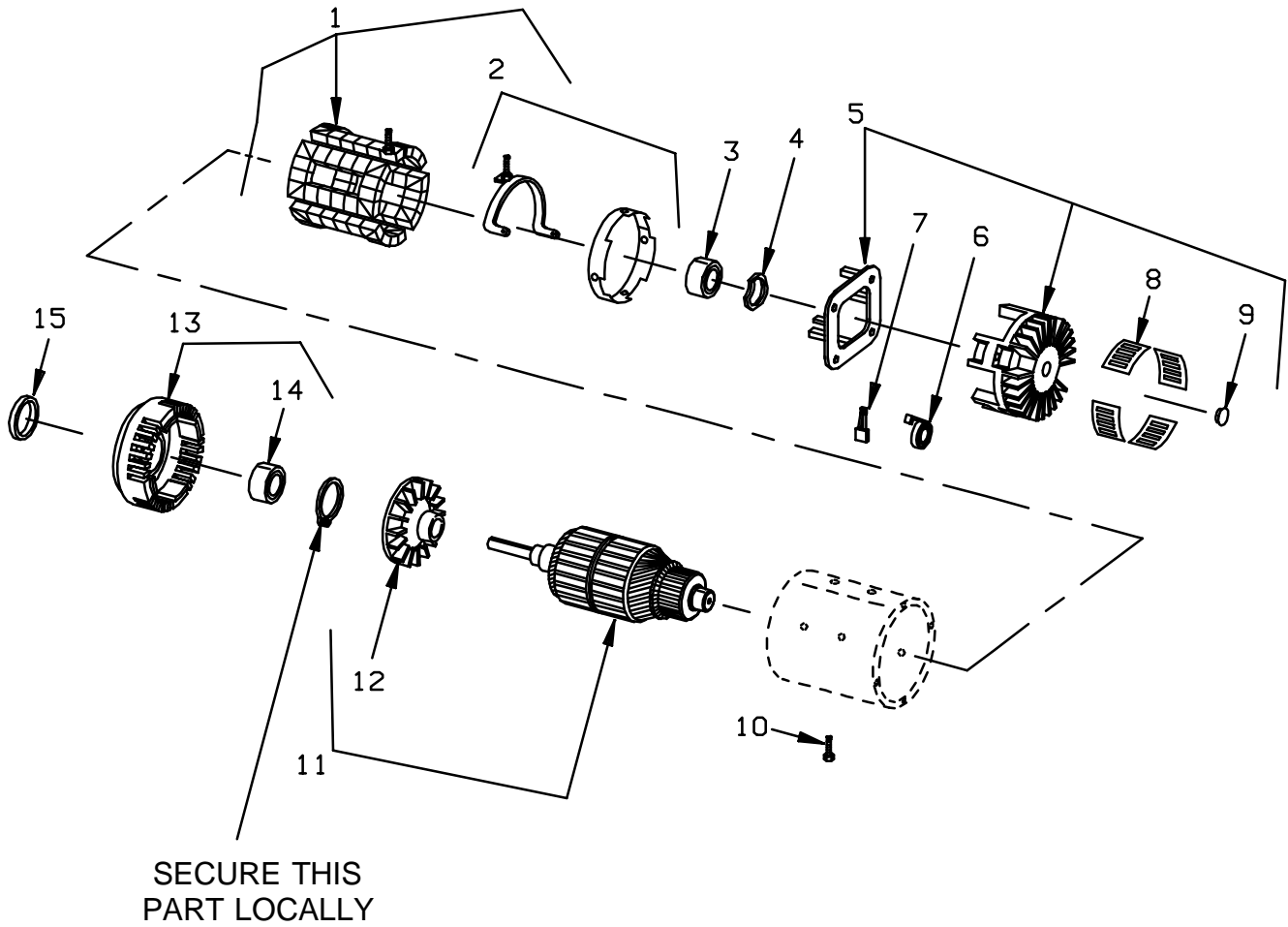
- Thank you very much for reading the preview of the manual.
- You can download the complete manual from: www.heydownloads.com by clicking the link below



- Please note: If there is no response to CLICKING the link, please download this PDF first and then click on it.

CLICK HERE TO **DOWNLOAD** THE COMPLETE MANUAL

FIGURE # 2.28 RX-80, 12 VOLT DRIVE MOTOR ASSEMBLY
(MLD-4009, 20680-00, PRESTOLITE)



PHANTOM ITEMS ARE **NOT AVAILABLE**

FIGURE # 3.5 PUMP AND MOTOR ASSEMBLY (12 volt, 27275-00 24 volt, 27277-00)

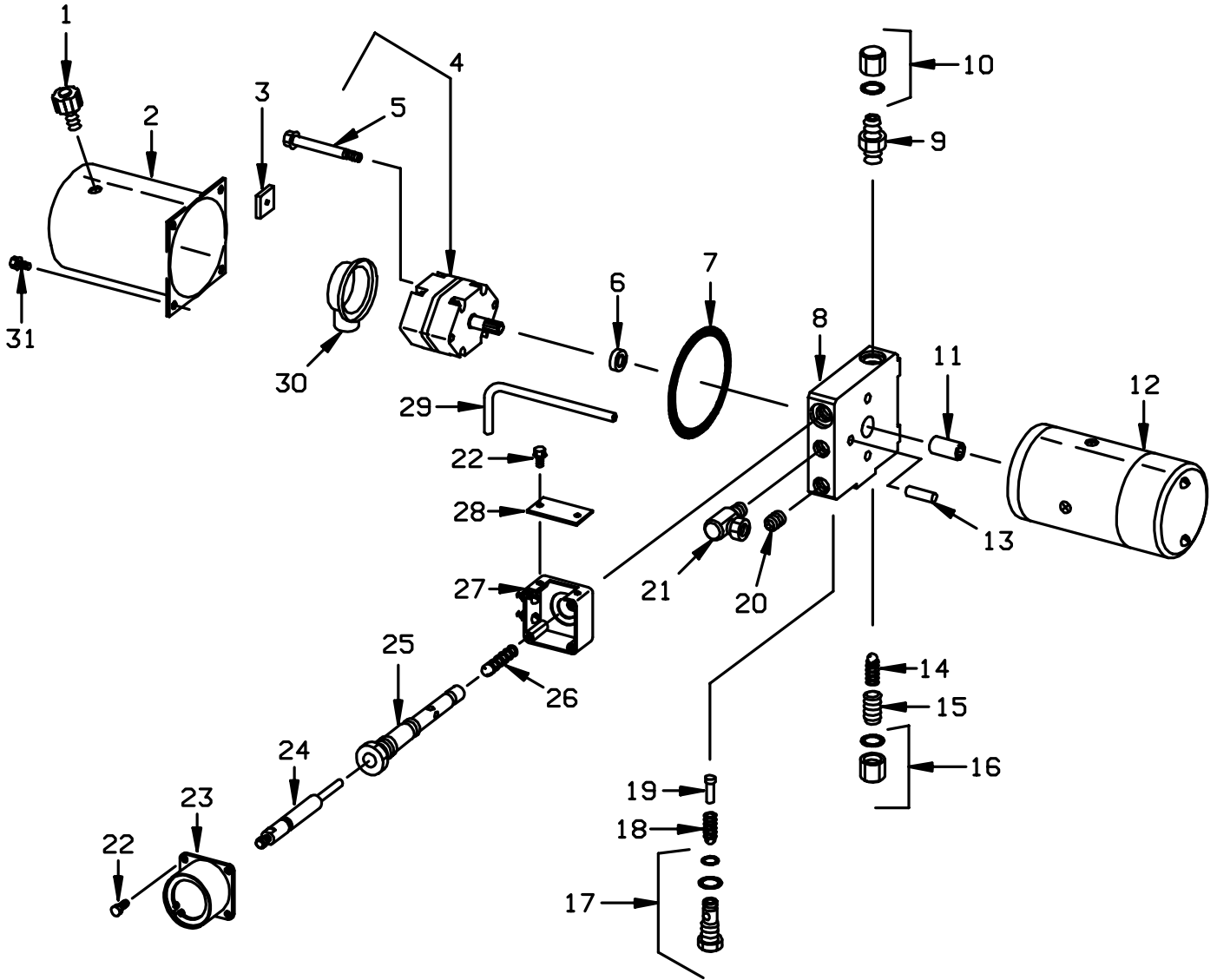
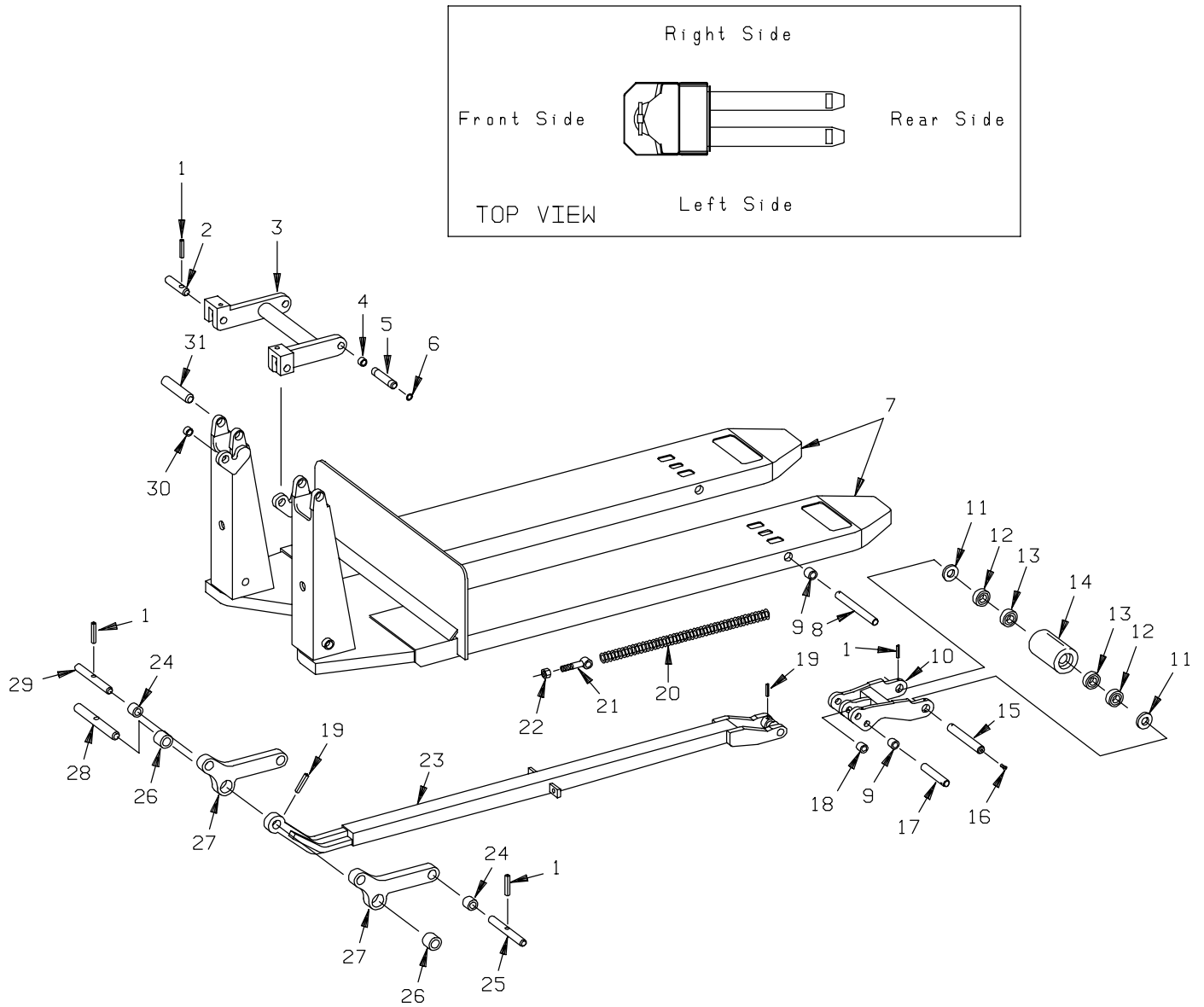


FIGURE # 4.4 LIFT FRAME ASSEMBLY



LEFT HAND PULL ROD IS SHOWN.

FIGURE # 1.1 TRANSMISSION AND HANDLE ASSEMBLY

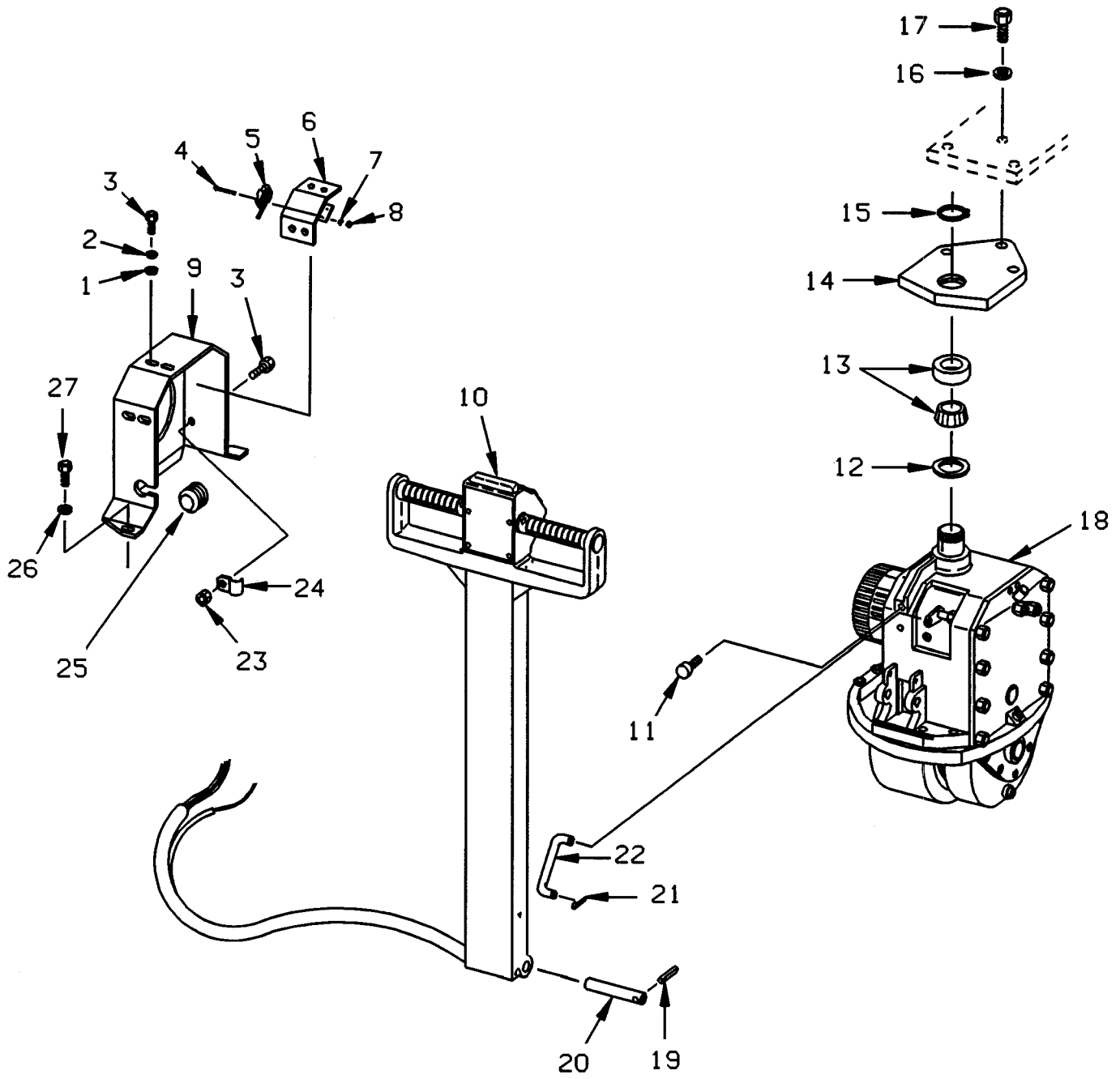


FIGURE # 1.6 DRIVE MOTOR ASSEMBLY

(MX-65 Advanced 12 volt 20190-01)
(MX-65 G.E. 24 volt 20844-01)
(RX-65 Prestolite 12 volt 20190-00)
(RX-65 G.E. 24 volt 20844-02)

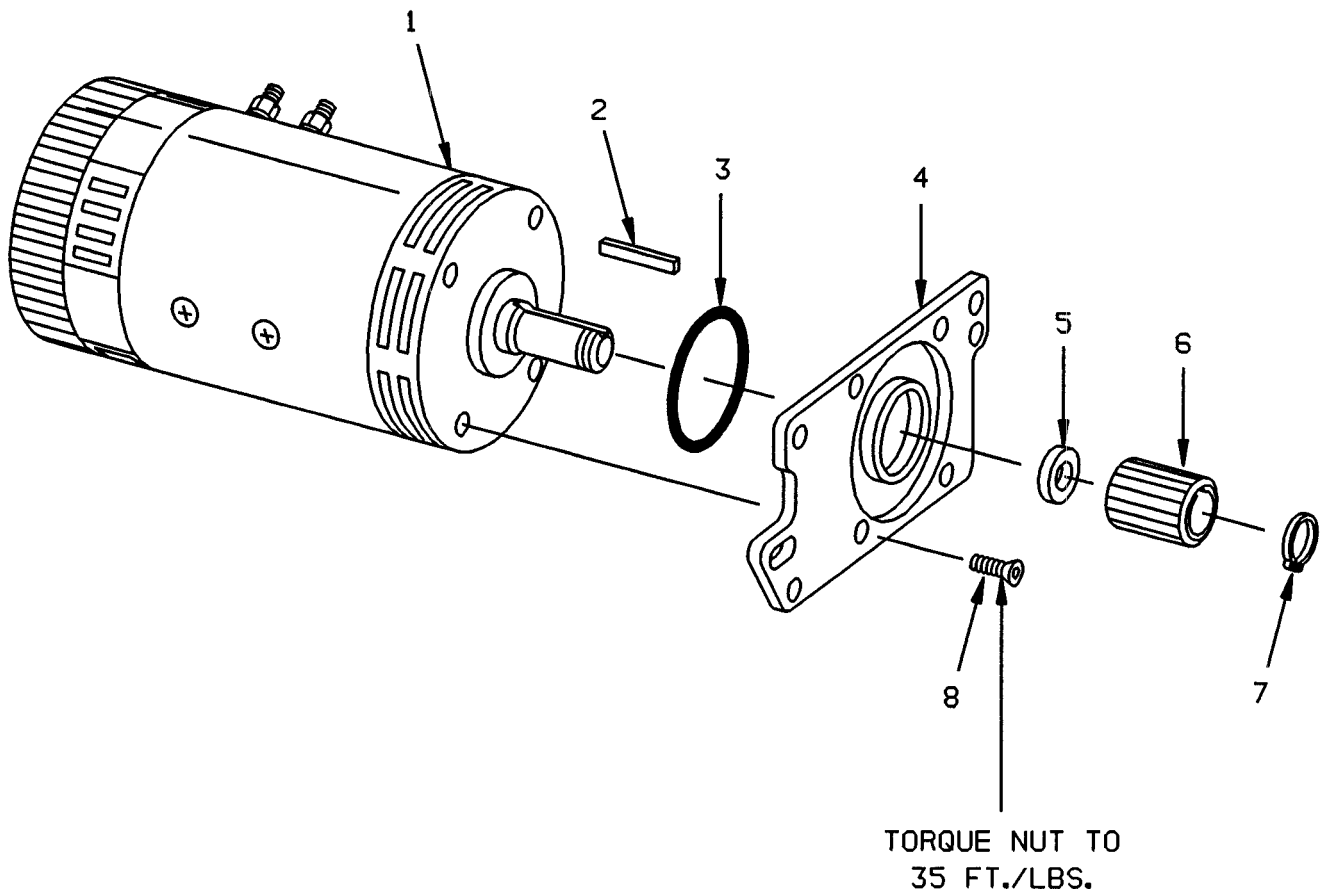
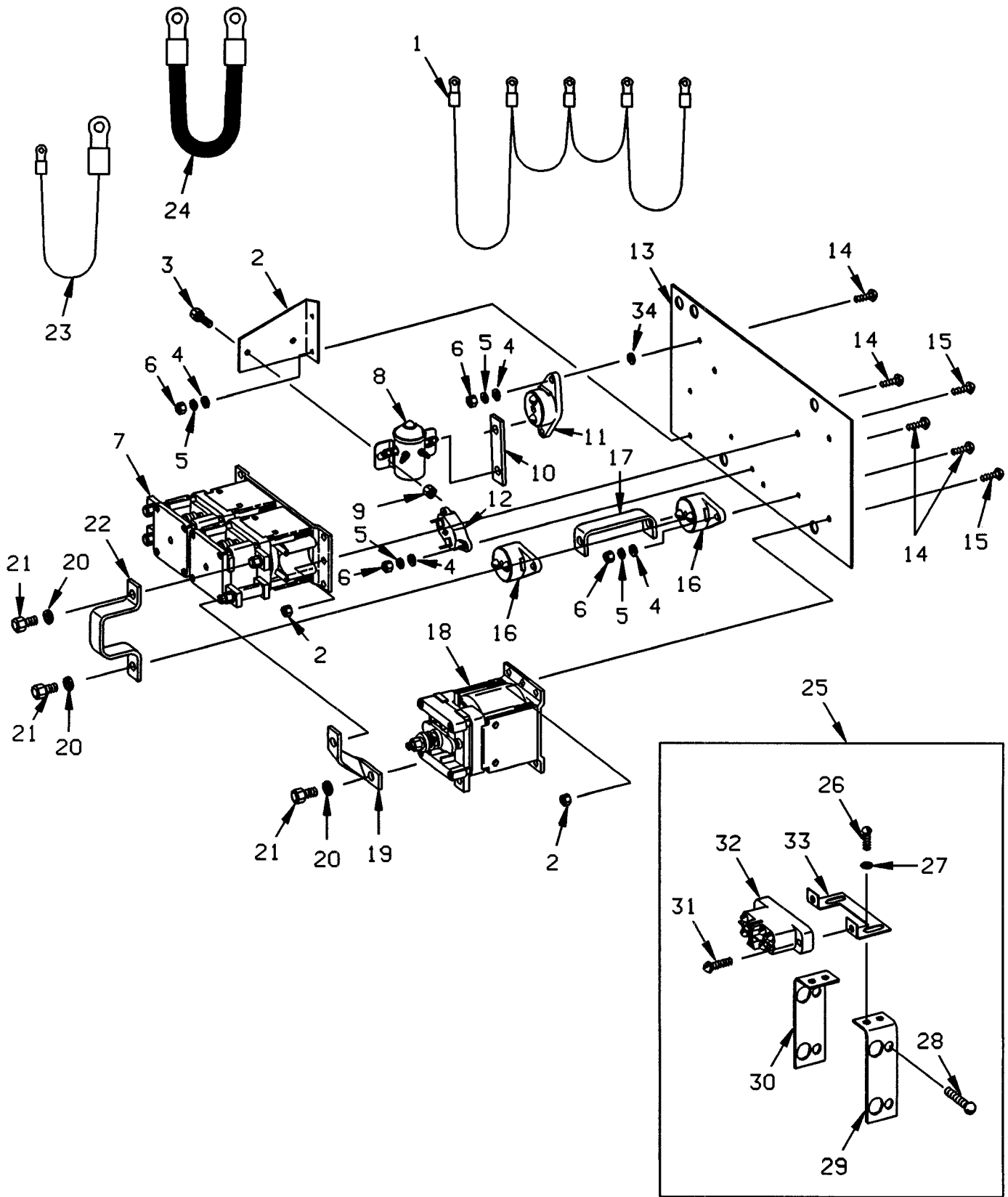


FIGURE # 2.6 RESISTOR CONTROL PANEL ASSEMBLY (12 VOLT, 27259-01)
(24 VOLT, 27259-02)



CLICK HERE TO **DOWNLOAD** THE COMPLETE MANUAL

- Thank you very much for reading the preview of the manual.
- You can download the complete manual from: www.heydownloads.com by clicking the link below



- Please note: If there is no response to CLICKING the link, please download this PDF first and then click on it.

CLICK HERE TO **DOWNLOAD** THE COMPLETE MANUAL