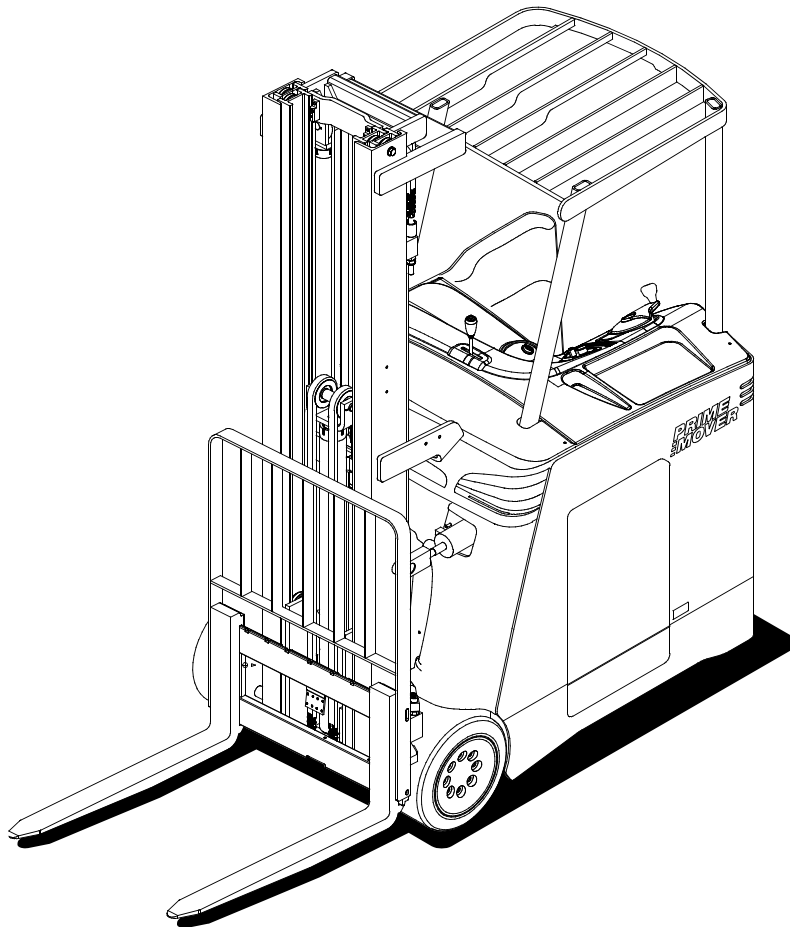






Master Quality Parts Manual

CRX30/35/40/50

Electric Stand-up Counter Balanced Lift Truck
Effective Serial Number CRX**3315001 - UP



- | |
|--|
|  Warning Read and observe all warnings on this unit before operating it. |
|  Warning DO NOT operate this equipment unless all factory installed guards and shields are properly secured in place. |

CLICK HERE TO **DOWNLOAD** THE COMPLETE MANUAL

- Thank you very much for reading the preview of the manual.
- You can download the complete manual from: www.heydownloads.com by clicking the link below



- Please note: If there is no response to **CLICKING** the link, please download this PDF first and then click on it.

CLICK HERE TO **DOWNLOAD** THE COMPLETE MANUAL

Major Sections

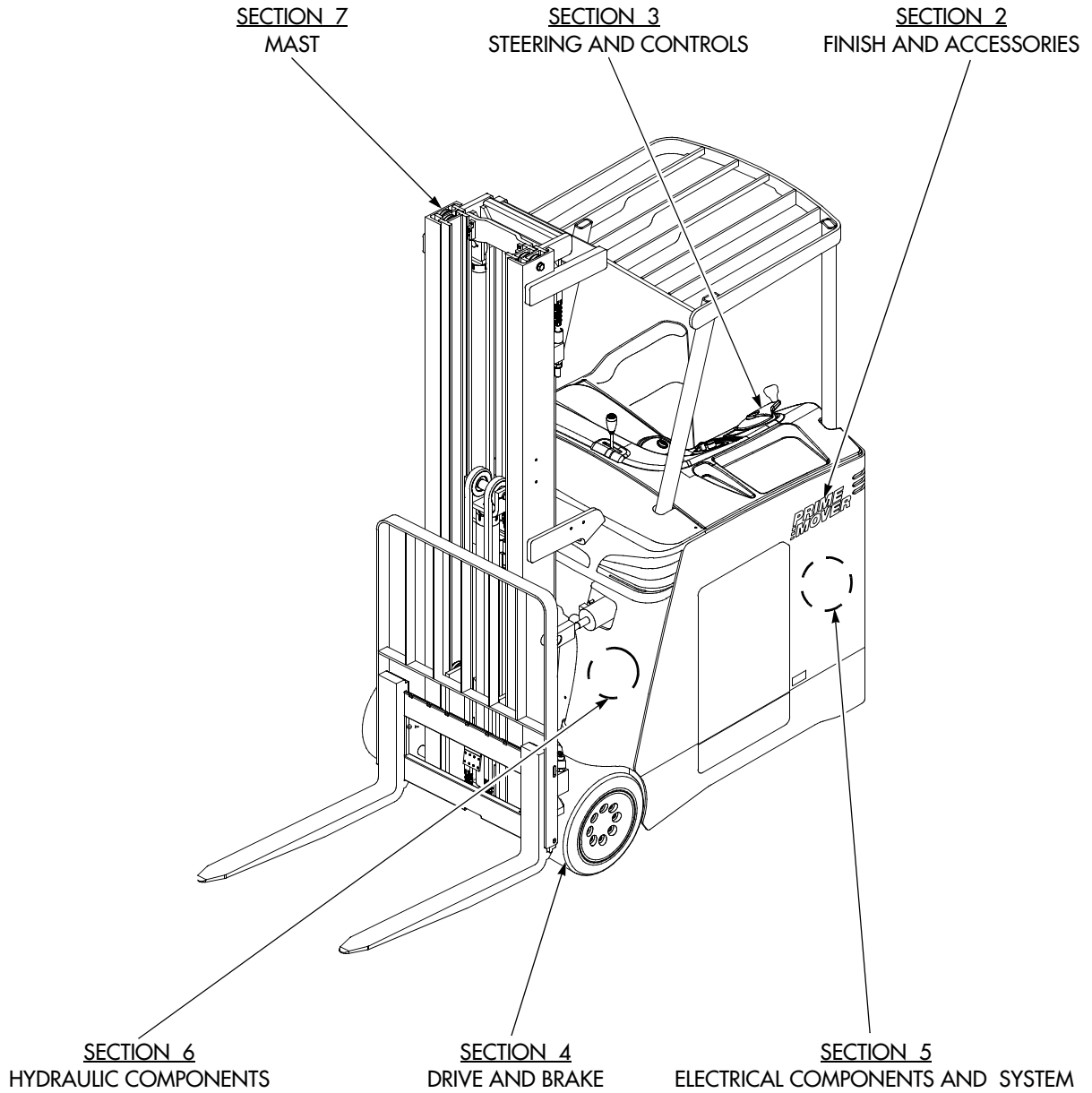


Figure 1-1: Major Sections

6365-005X

FIGURE 2-2 ITEM NO.	QTY	PART NUMBER	DESCRIPTION	USED ON
1	1	313665-275	Cover, Bracket	
2	2	313665-840	Screw	
3	1	313665-647	Shield, Tire, Right-Hand	
4	1	313665-648	Shield, Tire, Left-Hand	
5	7	313665-846	Screw	
6	4	313665-909	Washer, Flat	
7	1	313665-248	Cover, Bracket	
8	1	313665-249	Cover, Bracket	
9	4	313665-842	Screw	
10	4	313665-908	Washer, Flat	
11	4	313666-126	Screw	
12	2	313665-899	Nut	
13	2	313665-914	Washer, Lock	
14	2	313665-850	Screw	
15	2	313665-910	Washer, Flat	
16	2	313666-269	Strap, Static	
17	1	313665-669	Bracket, Key Switch	
18	2	313665-854	Screw	
19	1	313665-841	Screw	
20	2	313665-120	Washer, Flat	
21	1	313665-273	Bracket, Mounting	
22	1	313665-024	Guard Weldment, Overhead	A
	1	313665-025	Guard Weldment, Overhead	B
23	6	313666-128	Screw	
24	1	313666-458	Bracket, Mounting	

A= 83 in. OACH Guard Weldment

B= 88 in. OACH Guard Weldment

List 2-2: Power Section Mechanical Parts

This Page Intentionally Blank

FIGURE 2-8 ITEM NO.	QTY	PART NUMBER	DESCRIPTION	USED ON
1	2	313666-138	Washer	
2	2	313666-215	Ring, Retainer	
3	2	313665-099	Roller, Battery	
4	1	313666-238	Shaft, Roller	A, D, E
	1	313666-239	Shaft, Roller	B, F, G, H
	1	313666-240	Shaft, Roller	C, H
5	1	313666-241	Spacer, Pipe	A, F
	1	313666-242	Spacer, Pipe	B
	1	313666-243	Spacer, Pipe	C
	1	313666-245	Spacer, Pipe	H
	1	313666-247	Spacer, Pipe	E
	1	313666-248	Spacer, Pipe	G
	1	313666-249	Spacer, Pipe	D, F
6	1	313666-244	Spacer, Pipe	D, E
	1	313666-246	Spacer, Pipe	G

A= 18.50 in. Battery

B= 21.25 in. Battery

C= 23.75 in. Battery

D= 18.5 in. Compartment Adjusted to 16.25 in. (View B)

E= 18.5 in. Compartment Adjusted to 13.62 in. (View B)

F= 21.5 in. Compartment Adjusted to 18.5 in. (View B)

G= 21.5 in. Compartment Adjusted to 16.25 in. (View B)

H= 23.5 in. Compartment Adjusted to 21.25 in. (View B)

List 2-8: Roller Assembly

FIGURE 3-1 ITEM NO.	QTY	PART NUMBER	DESCRIPTION	USED ON
1	1	313665-112	Anchor, Chain	
2	2	313665-901	Nut	
3	1	313666-093	Link, Connecting Chain	R
4	3.4 ft.	313666-092	Chain	
5	1	313665-021	Plate, Steering	
6	10	313665-857	Screw	
7	1	313665-144	Bracket, Mounting	
8	2	313665-841	Screw	
9	1	313665-155	Switch, Proximity, Multihead	
10	4	313665-888	Screw	
11	3	313665-873	Screw	
12	3	313665-117	Spacer	
13	1	313665-145	Plate, Sensor	
14	1	313665-793	Sprocket	
15	1	313665-120	Washer, Flat	
16	1	313666-272	Key	
17	1	313665-842	Screw	
18	1	313665-839	Motor, Hydraulic (See Figure 6-18.)	
19	4	313665-850	Screw	
20	2	313666-171	Elbow, 90 Degree	
21	1	313666-338	Valve, Orbitrol (See Figure 6-19.)	
22	1	313666-330	Shaft, Steer	
23	4	313666-183	Adaptor, Hydraulic	
24	2	313665-853	Screw	
25	1	Ref.	Wheel, Steer Assembly (See Figure 3-2.)	

R= Recommended Spare

List 3-1: Steering and Controls

SECTION 4 Drive and Brake

- Drive and Brake Installation..... 4-3
- Gear Reducer 4-6
- Wheel Hub Assembly (7 in. Wide)..... 4-8
- Wheel Hub Assembly (6 in. Wide)..... 4-10
- Brake, Electric..... 4-12
- Deadman Brake Assembly 4-14

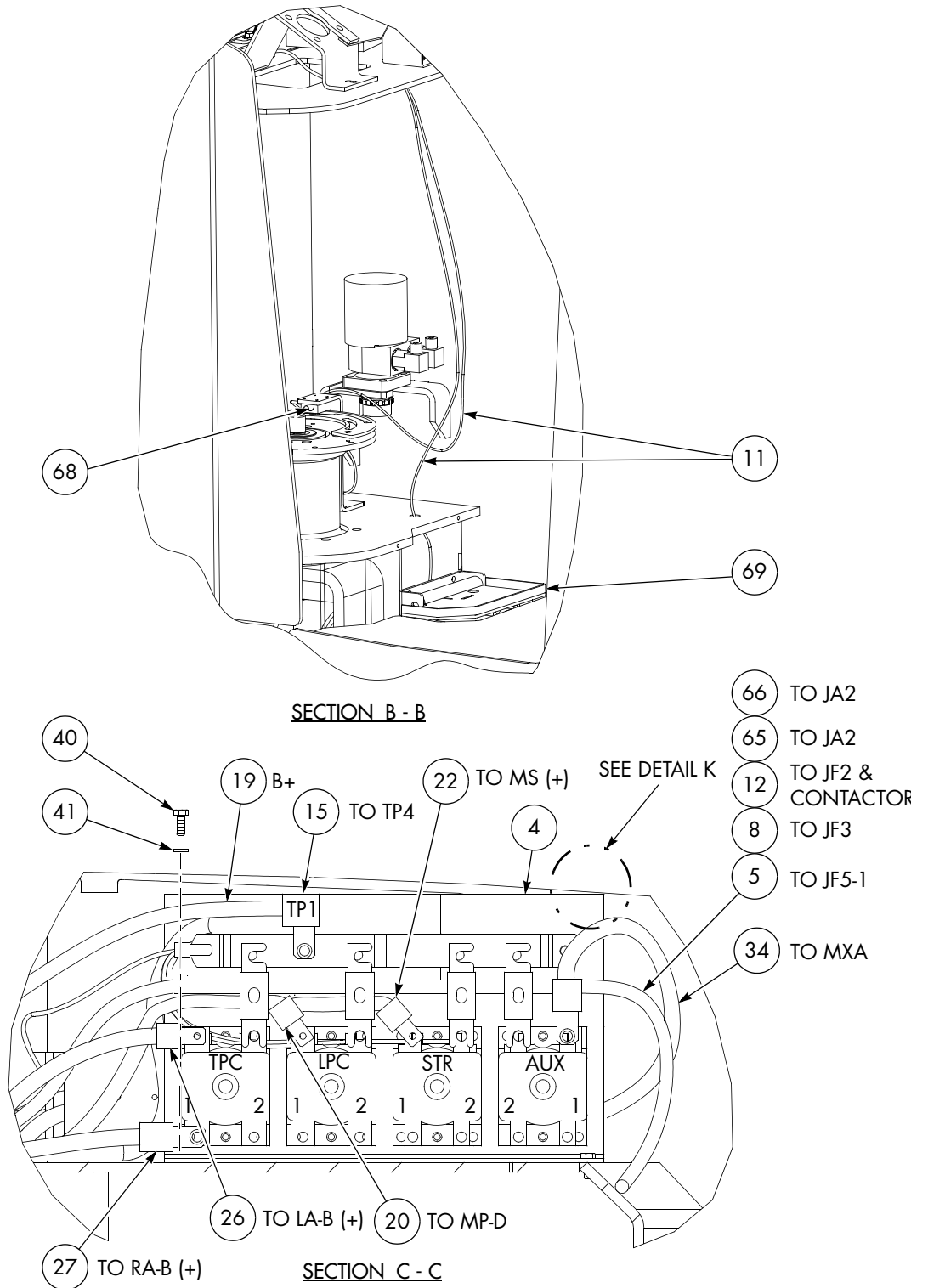
Wheel Hub Assembly (6 in. Wide)

FIGURE 4-4 ITEM NO.	QTY	PART NUMBER	DESCRIPTION	USED ON
		313665-198	Wheel Assembly	A
		313665-199	Wheel Assembly	B
		313665-200	Wheel Assembly	C
		313665-201	Wheel Assembly	D
		313665-202	Wheel Assembly	E
1	1	313665-179	Hub, Wheel, Machined	
2	1	313666-082	Tire	A, R
	1	313666-083	Tire	B
	1	313666-084	Tire	C
3	1	313666-087	Tire	E
	1	313666-088	Tire	D

A= Smooth Rubber
 B= Nonmarking Rubber
 C= Traction Rubber
 D= Poly, Gray
 E= Poly, Black
 R= Recommended Spare

List 4-4: Wheel Hub Assembly (6 in. Wide)

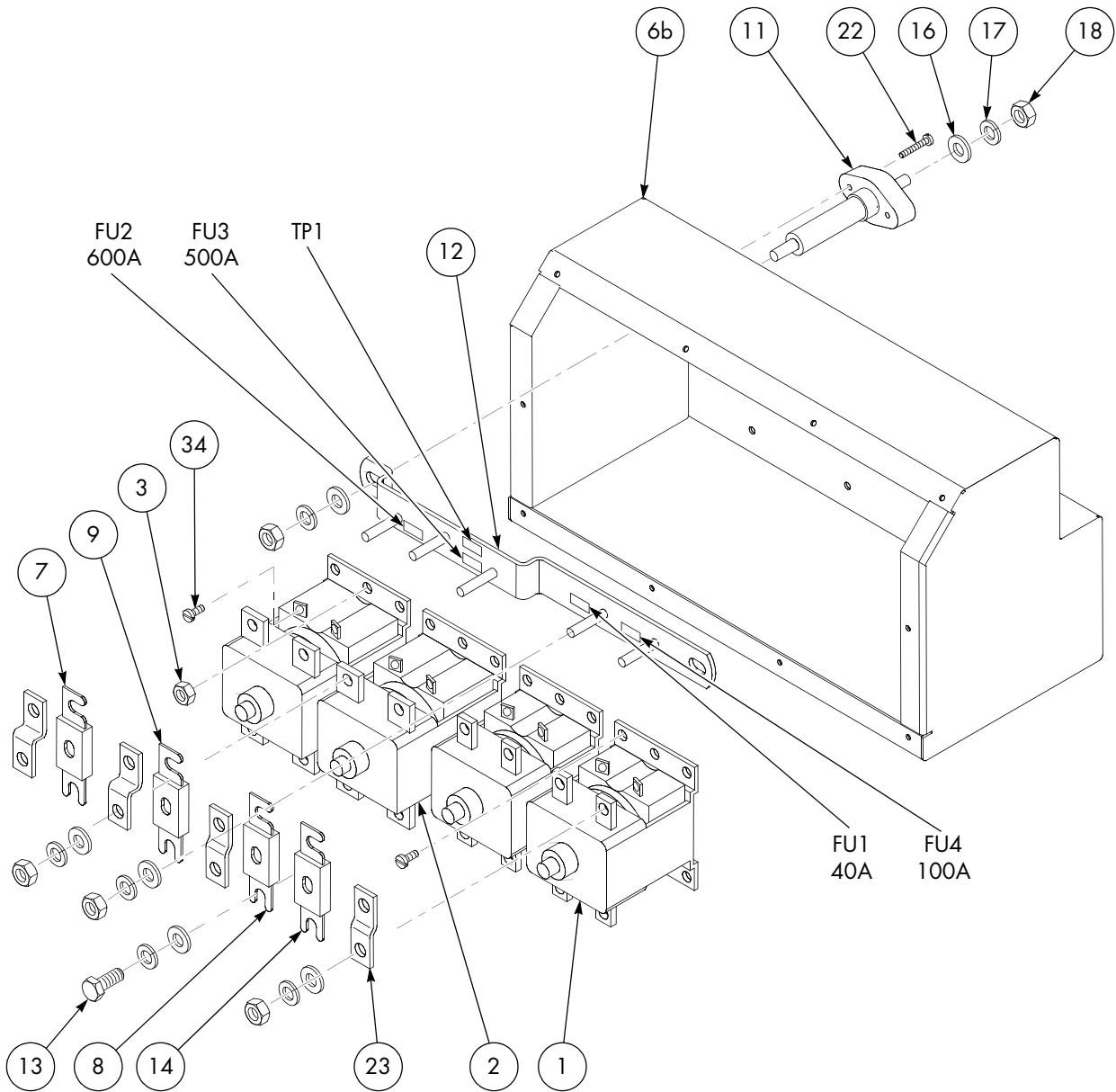
Electrical System



223-001-574-AB-3A/AB-3B SHT 4 OF 9

Figure 5-1d: Electrical System

Contactor Panel Assembly

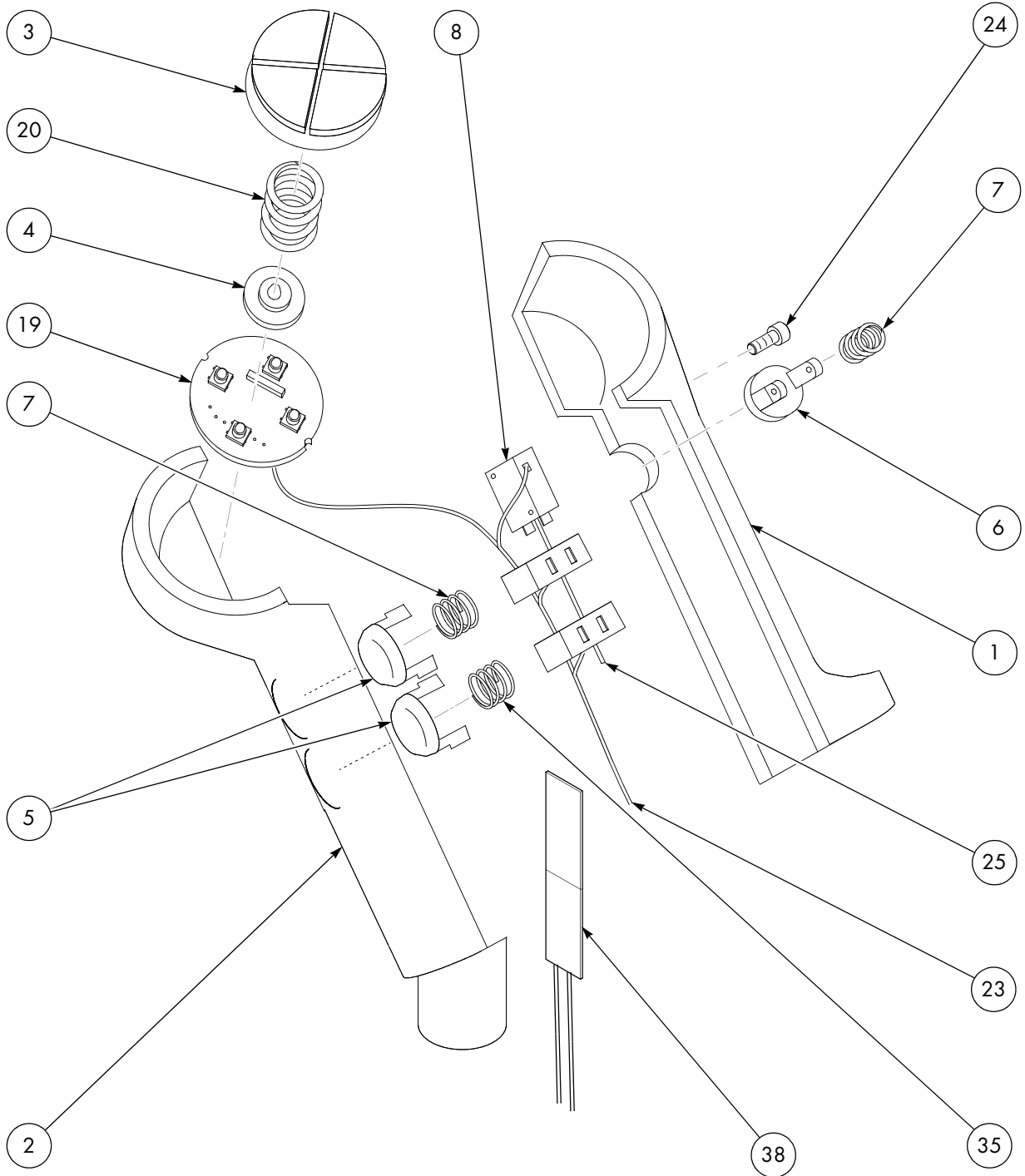


EE AND COLD STORAGE PANEL

P223_002_005_B_PG1 SHT 2 OF 3

Figure 5-2b: Contactor Panel Assembly

Handle Assembly



P1016736-A2 SHT 2 OF 3

Figure 5-6b: Handle Assembly

CRX30/35/40/50 Electric Stand-up Counter Balanced Lift Truck - Electrical Systems and Components

Motor, Traction, 5000 lb., Standard

FIGURE 5-10 ITEM NO.	QTY	PART NUMBER	DESCRIPTION	USED ON
		313666-038	Motor, Traction, 5000 lb., Standard	
1	1	313666-033	Armature Kit	
2	1	313666-032	Bearing and Snap Ring Kit	
3	1	313666-034	Stator Kit (includes:)	
	1	313666-040	Field Coil Kit	
4	1	313666-039	End Head, Commutator Assembly (includes:)	
	1	313666-035	End Head, Commutator, Machined	
5	1	313666-036	End Head, Drive Kit	
6	1	313666-037	Brush Holder (includes:)	
	1	313666-030	Brush Set	R
7	1	313666-046	Spring Set	R
8	1	313666-041	Fan, External	
9	1	313666-042	Terminal, Power Kit	
10	1	313666-469	Sensor, Temperature (Not Shown)	
11	2	313666-470	Plug (Not Shown)	

R= Recommended Spare

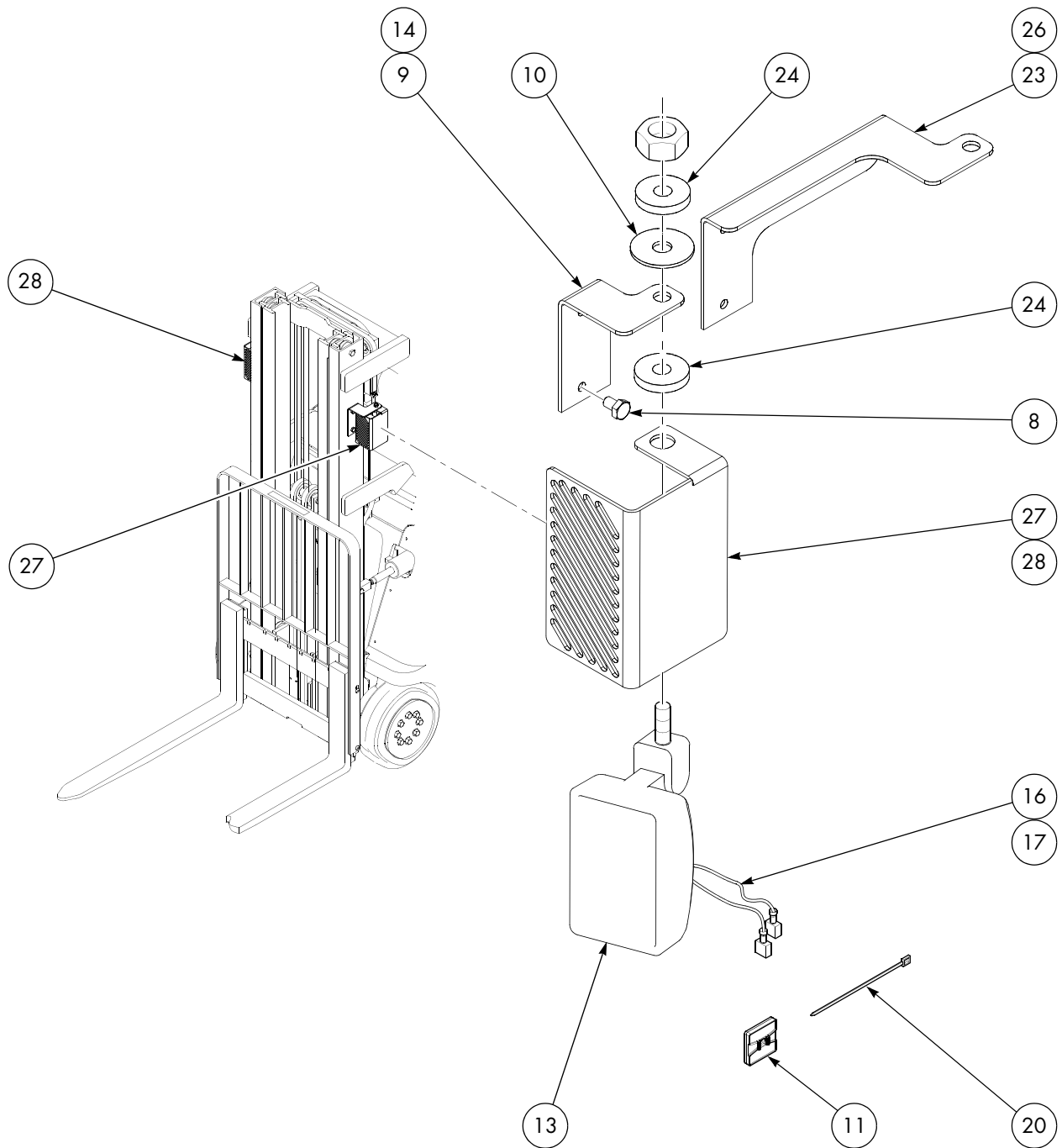
List 5-10: Motor, Traction, 5000 lb., Standard

FIGURE 5-15 ITEM NO.	QTY	PART NUMBER	DESCRIPTION	USED ON
		313665-999	Motor, Steer	
1	1	313665-992	Armature Kit	
2	1	313665-991	Bearing and Snap Ring Kit	
3	1	313665-993	Stator Kit	
4	1	313665-994	End Head, Commutator	
5	1	313665-995	End Head, Drive Kit	
6	1	313665-996	Cover, Enclosure Kit	
7	1	313665-997	Bolt, Clamp Kit (Not Shown)	
8	1	313665-998	Brush Holder (includes:)	
	1	313665-989	Brush Set	R
9	1	313665-990	Spring Set	R

R= Recommended Spare

List 5-15: Motor, Steer

Working Light Installation



VIEW E-E

WITH MAST LIGHTS AND HSA (WITHOUT ITEMS 14, 25 AND 26)
WITH MAST & REAR LIGHTS AND HSA (WITHOUT ITEMS 14, 15, AND 26)

P223-001-520-F2 SHT 3 OF 6

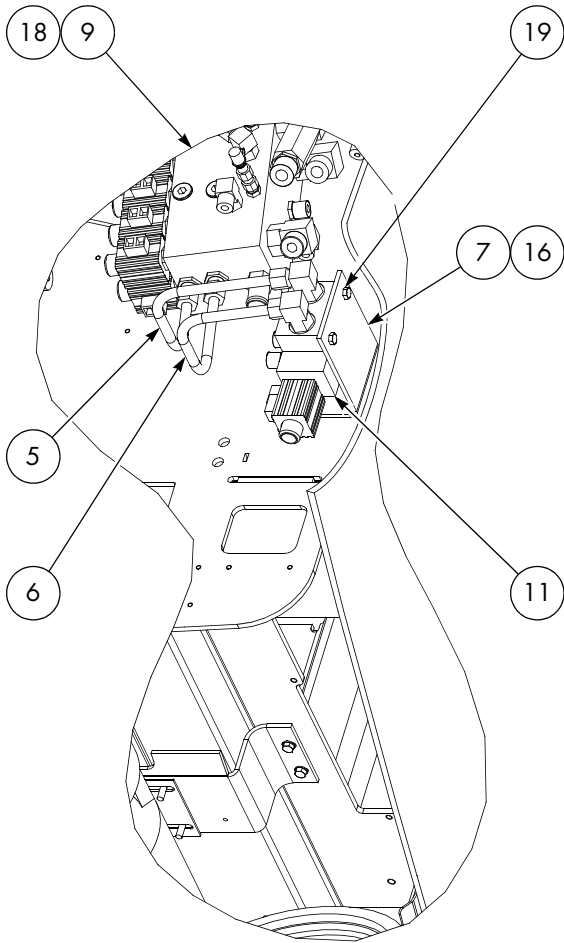
Figure 5-19c: Working Light Installation

FIGURE 5-22 ITEM NO.	QTY	PART NUMBER	DESCRIPTION	USED ON
1	1	313666-557	Bracket, Lift Limit	
2	1	313666-558	Bracket, Sensor	A
	1	313666-559	Bracket, Sensor	B
	1	313666-560	Bracket, Sensor	C
	1	313666-561	Bracket, Sensor	D
	1	313666-562	Bracket, Sensor	E
3	1	313666-563	Switch Assembly, Proximity	A
	1	313666-564	Switch Assembly, Proximity	B
	1	313666-565	Switch Assembly, Proximity	C
	1	313666-566	Switch Assembly, Proximity	D
	1	313666-567	Switch Assembly, Proximity	E
4	1	313666-568	Harness Assembly	
5	2	313666-569	Screw	
6	10	313666-542	Anchor, Plastic Mount	
7	22	313666-075	Strap	

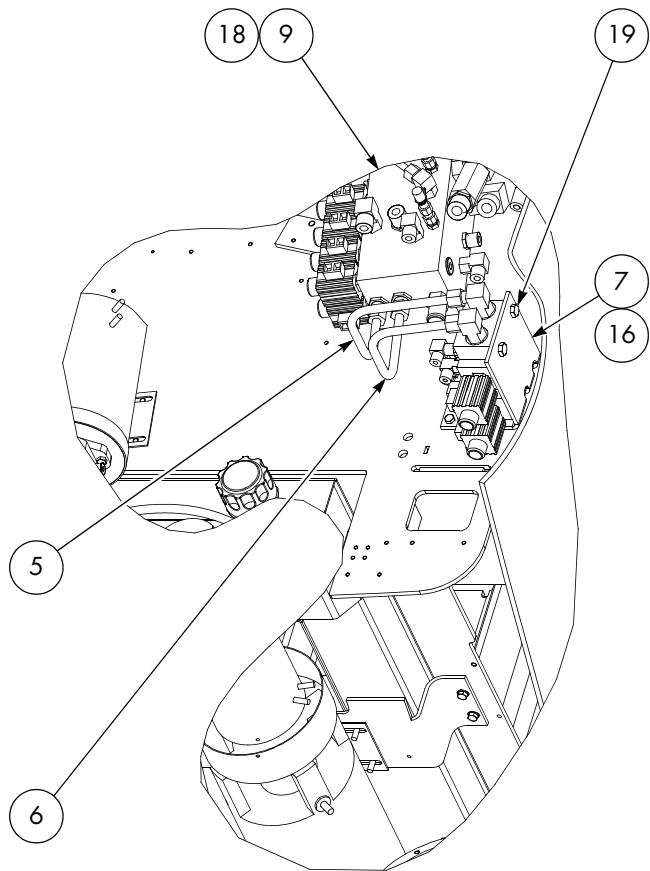
A= 83 in. Overall Collapsed Height (OACH)
 B= 88 in. Overall Collapsed Height (OACH)
 C= 95 in. Overall Collapsed Height (OACH)
 D= 99 in. Overall Collapsed Height (OACH)
 E= 107 in. Overall Collapsed Height (OACH)

List 5-22: Limit Switch Installation

Hydraulic System



STANDARD WITH SIDESHIFT OR LSA1
QUAD 4000/5000 LB., 2 STAGE, STANDARD
WITH SIDESHIFT OR LSA1
2 STAGE, STANDARD WITH SIDESHIFT



QUAD 4000/5000 LB., 2 STAGE, STANDARD
WITH SIDESHIFT AND LSA1

P223-003-041-B-PG7, PG8 SHT 5 OF 6

Figure 6-1e: Hydraulic System

FIGURE 6-2 ITEM NO.	QTY	PART NUMBER	DESCRIPTION	USED ON
1	1	313665-734	Hose, Formed (Manifold Return)	A
	1	313665-735	Hose, Formed (Manifold Return)	B
	1	313665-736	Hose, Formed (Manifold Return)	C
2	2	313666-223	Clamp, Hose	
3	1	313666-431	Hose Assembly (Lift Pump to Manifold)	A
	1	313666-432	Hose Assembly (Lift Pump to Manifold)	B
	1	313666-433	Hose Assembly (Lift Pump to Manifold)	C
4	1	313666-445	Hose Assembly (Manifold to Cylinder) (Standard Mast)	A
	1	313666-446	Hose Assembly (Manifold to Cylinder) (Standard Mast)	B
	1	313666-447	Hose Assembly (Manifold to Cylinder) (Standard Mast)	C
5	2	313666-448	Hose Assembly (Manifold to Cylinder) (Quad Mast)	B
	2	313666-449	Hose Assembly (Manifold to Cylinder) (Quad Mast)	C
	2	313666-450	Hose Assembly (Manifold to Cylinder) (Quad Mast)	A
7	1	313666-430	Hose Assembly (HSA to Manifold P1)	A
8	1	313666-442	Hose Assembly (HSA ATR to Manifold ATR)	B
9	1	313666-429	Hose Assembly (HSA Spool to Manifold V1, 2)	C
10	1	313666-412	Hose Assembly (Auxiliary Manifold to Mast) (Standard)	A
	1	313666-415	Hose Assembly (Auxiliary Manifold to Mast) (Standard)	B
	1	313666-419	Hose Assembly (Auxiliary Manifold to Mast) (Standard)	C
11	1	313666-436	Hose Assembly (Auxiliary Manifold to Mast) (Standard)	A
	1	313666-437	Hose Assembly (Auxiliary Manifold to Mast) (Standard)	B
	1	313666-438	Hose Assembly (Auxiliary Manifold to Mast) (Standard)	C
12	1	313666-407	Hose Assembly (Auxiliary Manifold to Mast) (Quad)	A
	1	313666-408	Hose Assembly (Auxiliary Manifold to Mast) (Quad)	B
	1	313666-410	Hose Assembly (Auxiliary Manifold to Mast) (Quad)	C
13	4	313666-404	Hose Assembly (Auxiliary Manifold to Mast) (Quad)	
14	1	313666-389	Hose Assembly (Auxiliary Pump to Manifold)	A
	1	313666-392	Hose Assembly (Auxiliary Pump to Manifold)	B
	1	313666-397	Hose Assembly (Auxiliary Pump to Manifold)	C
15	1	313666-390	Hose Assembly (Bottler's Tilt)	A
	1	313666-393	Hose Assembly (Bottler's Tilt)	B
	1	313666-398	Hose Assembly (Bottler's Tilt)	C
16	1	313666-388	Hose Assembly (Standard Tilt)	A
	1	313666-391	Hose Assembly, (Standard Tilt)	B
	1	313666-396	Hose Assembly, (Standard Tilt)	C
17	1	313666-386	Hose Assembly, Tilt	
18	1	313666-394	Hose Assembly, (Standard Tilt)	
	1	313666-400	Hose Assembly, (Bottler's Tilt)	
19	2	313666-200	Tee, Swivel	
20	2	313666-194	Elbow, 90 Degree, Swivel	

A= 18.5 in. Battery Compartment

B= 20.25 in. Battery Compartment

C= 23.75 in. Battery Compartment

List 6-2: Hose Installation

CLICK HERE TO **DOWNLOAD** THE COMPLETE MANUAL

- Thank you very much for reading the preview of the manual.
- You can download the complete manual from: www.heydownloads.com by clicking the link below



- Please note: If there is no response to **CLICKING** the link, please download this PDF first and then click on it.

CLICK HERE TO **DOWNLOAD** THE COMPLETE MANUAL

Manifold Assembly (High Speed Valve)

FIGURE 6-7 ITEM NO.	QTY	PART NUMBER	DESCRIPTION	USED ON
1	1	313665-627	Line Assembly	
2	1	313665-628	Line Assembly	
3	1	313665-265	Manifold Assembly, High Speed (See Figure 6-8.)	A
	1	313665-266	Manifold Assembly, High Speed (See Figure 6-8.)	B
4	1	313665-267	Spool Assembly (See Figure 6-10.)	A
	1	313665-268	Spool Assembly (See Figure 6-10.)	B
5	2	313665-848	Screw	

A= Single Function

B= Dual Function

List 6-7: Manifold Assembly (High Speed Valve)

FIGURE 6-12 ITEM NO.	QTY	PART NUMBER	DESCRIPTION	USED ON
1	1	313665-271	Handle Weldment	
2	1	313665-100	Nut	
3	1	313665-097	Knob Alteration	B
4	1	313665-090	Switch	B
6	2	313665-034	Pin	B
7	1	313665-035	Connector	B
9	1	313666-282	Knob	A

A= Single Function

B= Dual Function

List 6-12: Handle Assembly

FIGURE 6-17 ITEM NO.	QTY	PART NUMBER	DESCRIPTION	USED ON
		313665-022	Motor, Steer Assembly	
1	1	313665-988	Coupling, Flexible	
2	1	313666-102	Screw	
3	2	313665-846	Screw	
4	1	313666-373	Fitting, Pressure Nipple	
6	1	313665-878	Pump, Auxiliary (includes: Item 1) (See Figure 6-21.)	
7	1	313665-999	Motor, Steer (See Figure 5-15.)	
8	1	313666-198	Tee, Union	
9	1	313666-207	Fitting, Hose	
10	1	313666-337	Cap, Dust, Coupling	

List 6-17: Steer Motor Assembly

FIGURE 6-23 ITEM NO.	QTY	PART NUMBER	DESCRIPTION	USED ON
		313665-726	Cylinder Assembly, Free Lift (83 in. OACH)	
		313665-727	Cylinder Assembly, Free Lift (99 in. OACH)	
		313665-728	Cylinder Assembly, Free Lift (107 in. OACH)	
		313665-729	Cylinder Assembly, Free Lift (88 in. OACH)	
		313665-730	Cylinder Assembly, Free Lift (95 in. OACH)	
1	1	Ref.	Housing (Call Technical Support)	
9	1	313665-958	O-Ring	
11	1	313665-028	Ring, Backup	
13	1	Ref.	Piston (Call Technical Support)	
14	1	313666-159	Cushion, Lowering, Piston	
15	1	313665-274	Plug, Mechanical Cylinder	
16	1	313665-725	Plug, Mechanical Piston	
18	1	313666-158	Ring, Retainer	
19	1	313666-107	Screw	
	1	313665-969	Seal, Square	R
20	1	313666-143	Screw	
21	1	313665-961	Seal	
22	1	313665-967	Seal	R
24	1	313665-972	Seal, Wiper	R
25	1	313666-212	Ring, Snap	
26	1	313666-265	Spring	
27	1	313665-968	Seal Kit (includes: Items 19, 21, 22) (Not Shown)	R

R= Recommended Spare

List 6-23: Cylinder Assembly, Free Lift

CRX30/35/40/50 Electric Stand-up Counter Balanced Lift Truck - Hydraulic Components

Main Lift Cylinder, Left-Hand, Two Stage, 4000/5000 lb.

FIGURE 6-28 ITEM NO.	QTY	PART NUMBER	DESCRIPTION	USED ON
	1	313665-486	Cylinder Assembly (77 in. OACH)	
	1	313665-485	Cylinder Assembly (83 in. OACH)	
	1	313665-484	Cylinder Assembly (89 in. OACH)	
	1	313665-483	Cylinder Assembly (95 in. OACH)	
1	1	N/A	Housing Weldment	
2	1	313665-444	Piston	
3	1	NSS	Wire, Pull-In	A
4	1	313665-478	Sleeve	
5	1	313665-450	Ring, Retaining	
6	1	N/A	Rod, Piston	
7	1	NSS	Spacer	A
8	1	313665-452	Retainer	
9	1	NSS	Ring, Wear	A
10	1	NSS	Ring, Backup	A
11	1	NSS	Seal, Piston	A
12	1	NSS	Ring, Backup	A
13	1	NSS	O-Ring	A
14	1	NSS	Seal, Rod	A
15	1	NSS	Wiper	A
16	1	313665-451	Plug	
19	1	313665-487	Service Kit (Not Shown)	R

A= Included in Item 19

N/A= Not Available

NSS= Not Sold Separately

R= Recommended Spare

List 6-28: Main Lift Cylinder, Left-Hand, Two Stage, 4000/5000 lb.

CRX30/35/40/50 Electric Stand-up Counter Balanced Lift Truck - Hydraulic Components

Main Lift Cylinder, Right-Hand, Quad Mast (Serial Number 1377 and Up*)

FIGURE 6-33 ITEM NO.	QTY	PART NUMBER	DESCRIPTION	USED ON
	1	313665-609	Cylinder, Main Lift, Right-Hand (77 in. OACH)	
	1	313665-610	Cylinder, Main Lift, Right-Hand (83 in. OACH)	
	1	313665-611	Cylinder, Main Lift, Right-Hand (89 in. OACH)	
	1	313665-612	Cylinder, Main Lift, Right-Hand (93 in. OACH)	
	1	313665-613	Cylinder, Main Lift, Right-Hand (95 in. OACH)	
1	1	NSS	Seal, Piston	A
2	1	NSS	Seal, Rod	A
3	1	NSS	Wiper	A
4	1	NSS	O-Ring	A
5	1	NSS	O-Ring	A
6	1	NSS	O-Ring	A
7	1	NSS	Ring, Wear	A
8	1	313665-614	Seal Kit (Not Shown)	
9	1	N/A	Ring, Retaining	
10	1	N/A	Plug (Not Shown)	
11	1	N/A	Tube, Hydraulic	
12	1	N/A	Tube Assembly	
13	1	N/A	Rod	
14	1	N/A	Rod End	
15	1	N/A	Piston	
16	1	313665-616	Retainer	
17	1	N/A	Plug	
18	1	N/A	Spacer	
19	1	N/A	Fitting	
20	1	313665-406	Valve, Flow Control	

A= Included in Item 8

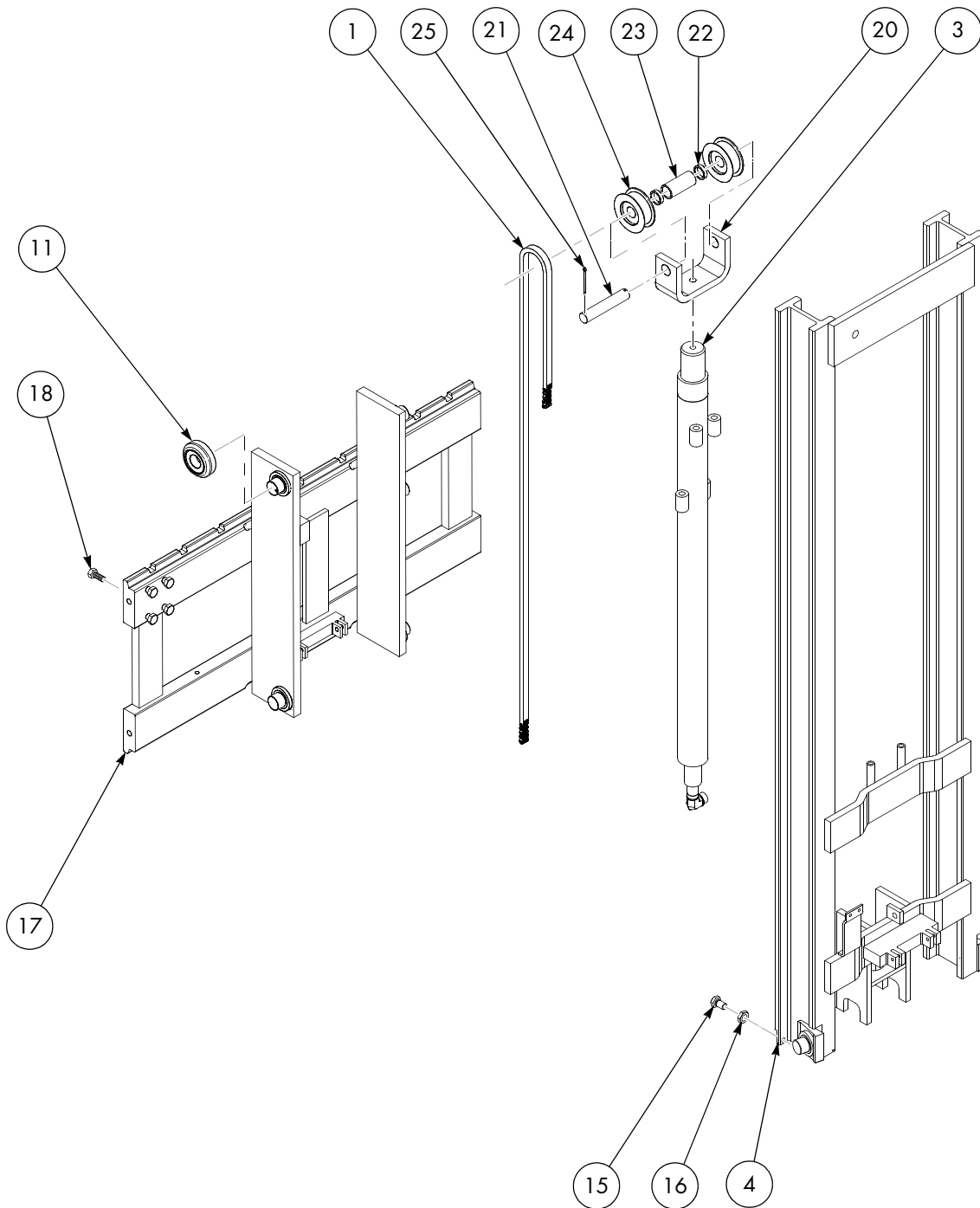
NSS= Not Sold Separately

N/A= Not Available

Note: *Serial Number Stamped on Mast

List 6-33: Main Lift Cylinder, Right-Hand, Quad Mast (Serial Number 1377 and Up*)

Elevating Section, Two Stage, 3000/3500 lb. Only



P223-003-084-CA SHT 1 OF 2

Figure 7-1a: Elevating Section, Two Stage, 3000/3500 lb. Only

This Page Intentionally Blank

FIGURE 7-8 ITEM NO.	QTY	PART NUMBER	DESCRIPTION	USED ON
1	1	313665-430	Body, Valve	
2	1	313665-583	Fitting, 14-8	
3	1	313665-584	Fitting, 8-8	
4	1	313665-585	Hose	
5	1	313665-586	Fitting, 8-8	
6	1	313665-587	Adaptor Fitting	
7	1	313665-582	Fitting, 6-6	
8	2	313665-588	Pin, Tilt (See Figure 7-2a.), Item 7	
9	2	313665-371	Washer, Lock	
10	2	313665-589	Screw, Cap	
11	2	313665-590	Fitting, Grease	
12	4	313665-591	Washer, Lock	
13	4	313665-592	Screw, Cap	
14	2	313665-593	Screw, Cap	
15	2	313665-594	Bushing	
16	2	313665-595	Hose	
17	1	313665-345	Fitting, 6-6	
18	1	313665-348	Fitting, 8-8	
19	2	313665-596	Fitting, 8-6	
20	1	313665-581	Hose (See Figure 6-2d.), Item 5	

List 7-8: Mast Installation, Two Stage, 4000 lb. Only

CRX30/35/40/50 Electric Stand-up Counter Balanced Lift Truck - Mast

Internal Hose Reeving, Two Stage, 5000 lb. Only

FIGURE 7-13 ITEM NO.	QTY	PART NUMBER	DESCRIPTION	USED ON
1	1	313665-565	Guide, Upper, Left-Hand (77 in. OACH)	
	1	313665-566	Guide, Upper, Left-Hand (83 in. OACH)	
	1	313665-567	Guide, Upper, Left-Hand (88 in. OACH)	
	1	313665-568	Guide, Upper, Left-Hand (95 in. OACH)	
	1	313665-572	Guide, Upper, Right-Hand (77 in. OACH)	
	1	313665-573	Guide, Upper, Right-Hand (83 in. OACH)	
	1	313665-574	Guide, Upper, Right-Hand (88 in. OACH)	
	1	313665-575	Guide, Upper, Right-Hand (95 in. OACH)	
	2	1	313665-569	Guide, Lower, Left-Hand (77 in. OACH)
1		313665-570	Guide, Lower, Left-Hand (83 in. OACH)	
1		313665-571	Guide, Lower, Left-Hand (88 in. OACH)	
1		313665-571	Guide, Lower, Left-Hand (95 in. OACH)	
1		313665-576	Guide, Lower, Right-Hand (77 in. OACH)	
1		313665-577	Guide, Lower, Right-Hand (83 in. OACH)	
1		313665-579	Guide, Lower, Right-Hand (88 in. OACH)	
1		313665-579	Guide, Lower, Right-Hand (95 in. OACH)	
3		2	313665-552	Hose (77 in. OAL)
	2	313665-554	Hose (83 in. OAL)	
	2	313665-556	Hose (88 in. OAL)	
	2	313665-557	Hose (95 in. OAL)	
4	1	313665-344	Fitting, 6-6	A
5	1	313665-345	Fitting, 6-6	A
6	1	313665-342	Fitting, 6-6	A
7	1	313665-543	Screw, Cap	A
8	1	313665-375	Washer, Lock	A
9	1	313665-544	Guard	A
10	1	313665-545	Sheave, Hose	A
11	5	313665-384	Screw, Cap	A
12	6	313665-433	Washer, Lock	A
13	3	313665-546	Clamp	A
14	1	313665-547	Spacer	A
15	2	313665-548	Screw, Cap	A
16	1	313665-549	Bar	A
17	1	313665-550	Screw, Cap	A
18	2	313665-523	Cap	A
19	2	313665-551	Cap	A
20	1	313665-553	Fitting, Truck (Right-Hand Internal Reeving)	B
	1	313665-555	Fitting, Truck (Right-Hand Internal Reeving)	
21	1	313665-580	Fitting, Truck (Left-Hand Internal Reeving) (Not Shown) (Located Behind Item 20)	B
	1	313665-560	Fitting, Truck (Left-Hand Internal Reeving) (Not Shown) (Located Behind Item 20)	

A= Double Quantities For Double Hose Reeving

B= For 77 in. OACH Only

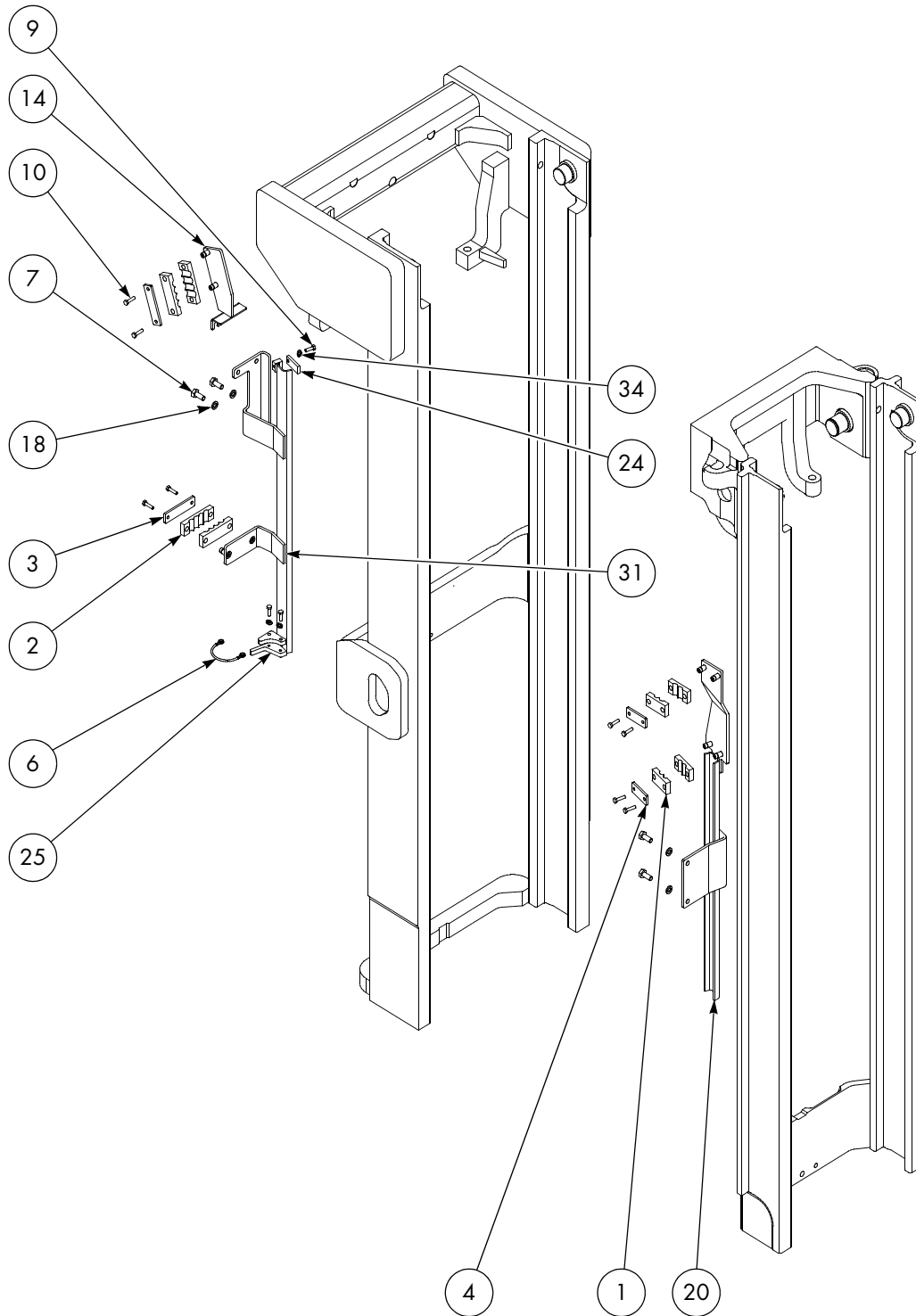
List 7-13: Internal Hose Reeving, Two Stage, 5000 lb. Only

FIGURE 7-15 ITEM NO.	QTY	PART NUMBER	DESCRIPTION	USED ON
1	2	313665-281	Decal, No Step	
2	9	313665-358	Decal, Hands Off	
3	1	313665-361	Decal, Warning	
4	1	313665-288	Decal, No Step	
5	1	313665-405	Mast Mounting Kit (Not Shown)	
6	1	313665-598	Valve, Slack Chain Kit (Not Shown) (includes:)	A
	1	313665-597	Valve, Slack Chain (No Available Spare Parts)	A

A= Optional

List 7-15: Mast Finish Instructions, Quad Mast Only

Internal Hose Reeving Group, Single, Quad Mast Only



1012609A-723-1 SHT 1 OF 2

Figure 7-20a: Internal Hose Reeving Group, Single, Quad Mast Only

FIGURE 7-22 ITEM NO.	QTY	PART NUMBER	DESCRIPTION	USED ON
1	2	313665-232	Anchor, Tilt Cylinder	A, C
	2	313665-233	Anchor, Tilt Cylinder	B
	2	313665-234	Anchor, Tilt Cylinder	B
2	2	Ref.	Ram Assembly, Tilt, (Bottler's Tilt) (See Figure 6-35b.)	C
	2	Ref.	Ram Assembly, Tilt (See Figure 6-35a.)	A, B
3	2	313665-918	Ring, Retaining	
4	2	313665-836	Bushing, Oil Impregnated	R
5	2	313666-116	Nut	
6	1	313666-169	Elbow, 90 Degree	
7	4	313666-182	Adaptor, Hydraulic	
8	2	313666-220	Pin, Cotter	
9	2	313666-284	Pin, Clevis	
12	2	313665-838	Bearing (Not Shown) (See Figure 4-2.)	
13	6	313666-147	Washer (Not Shown) (See Figure 4-2.)	

A= 3 Degrees Forward, 5 Degrees Back
 B= 5 Degrees Forward, 3 Degrees Back
 C= 10 Degrees Forward, 3 Degrees Back
 R= Recommended Spare

List 7-22: Mast Tilt Assembly

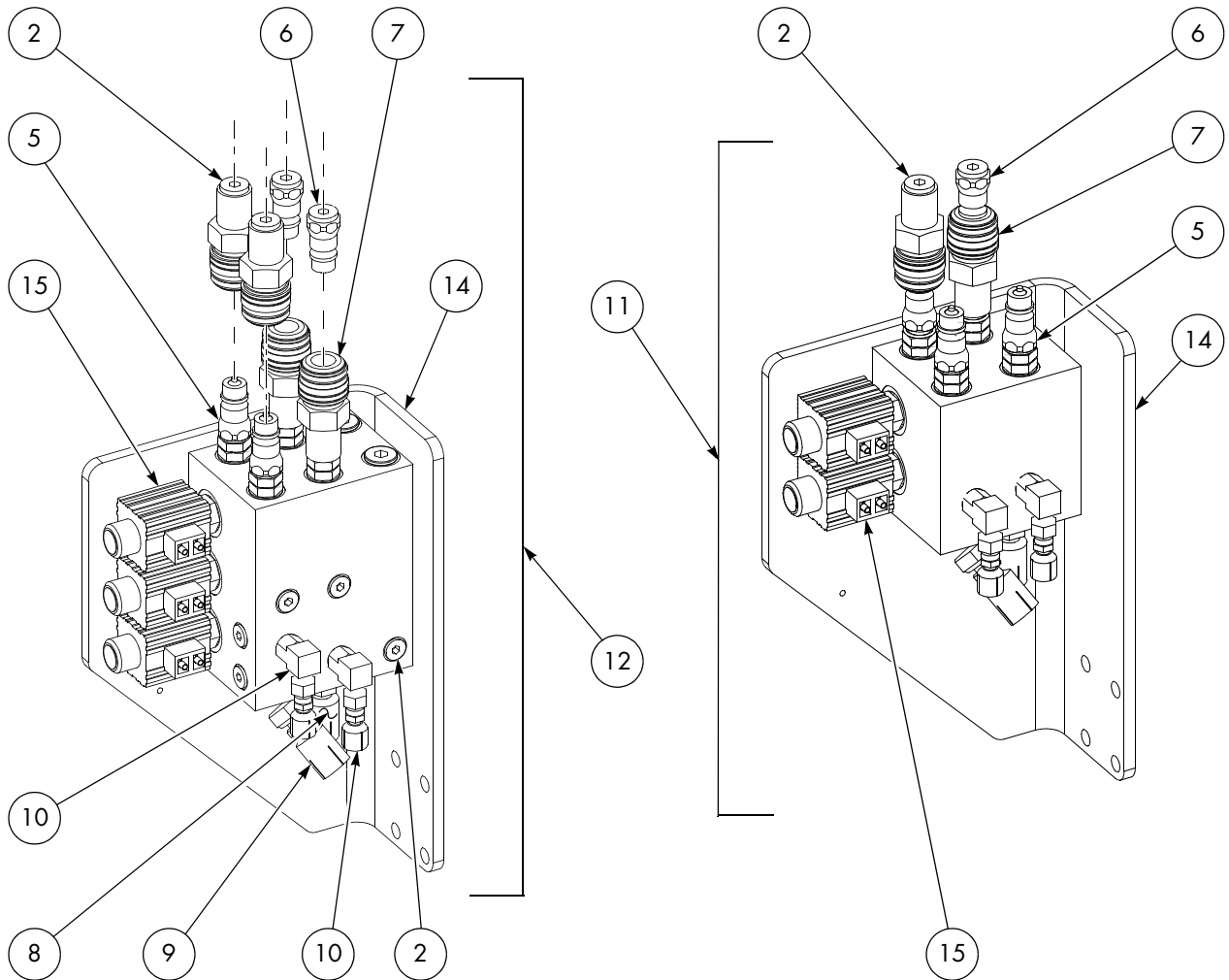
FIGURE 7-24 ITEM NO.	QTY	PART NUMBER	DESCRIPTION	USED ON
1	1	313666-383	Hose Assembly	A
2	2	313666-380	Hose Assembly	A
4	1	313665-101	Carriage Assembly, Sideshift, 37 in. Wide (Bolzoni) (See Figure 7-26.)	
	1	313665-102	Carriage Assembly, Sideshift, 32 in. Wide (Bolzoni) (See Figure 7-26.)	
	1	313665-026	Carriage Assembly, Sideshift, 32 in. Wide (Cascade) (See Figure 7-25.)	
	1	313665-027	Carriage Assembly, Sideshift, 37 in. Wide (Cascade) (See Figure 7-25.)	
5	2	313665-765	Elbow, 90 Degree	
6	2	313666-381	Hose Assembly	B
9	2	313665-868	Screw	
10	2	313665-895	Screw	
11	4	313665-904	Nut	
12	1	313666-382	Hose Assembly	A
13	1	313666-384	Hose Assembly	B
14	1	313666-385	Hose Assembly	B
16	4	313665-113	Pulley, Sideshift	
17	2	313665-115	U-Bolt	
18	2	313665-750	Line Assembly	
19	4	313665-751	Cap, Tubing Clamp	
20	1	313665-119	Spacer, Tubing Clamp	
21	1	313666-091	Clamp, Hose	
22	2	313666-075	Strap	
24	2	313665-129	Bracket, Hose Retainer	
28	2	313665-764	Screw, Flow Control	

A= 83 in. OACH

B= 88 in. OACH

List 7-24: Sideshift Carriage Installation, Two Stage

Standoff Assembly



VIEW A
 2 AUXILIARY FUNCTIONS
 WITH FACTORY INSTALLED SIDESHIFT

VIEW B
 1 OR 2 AUXILIARY FUNCTIONS
 WITH FACTORY INSTALLED SIDESHIFT

P223-001-997B_VIEW A, P223-001-997-B-2X SHT 1 OF 2

Figure 7-28a: Standoff Assembly

CRX30/35/40/50 Electric Stand-up Counter Balanced Lift Truck - Alphabetical Parts Index

Description	Part No.	Page	Description	Part No.	Page
Cable Assembly (JPH3 to SOL2)	313665-157	5-12	Carriage Assembly, Sideshift, 32 in. Wide (Cascade)	313665-026	7-73
Cable Assembly (LA-A1 to M1-A1)	313665-007	5-11	Carriage Assembly, Sideshift, 32 in.	313665-026	7-75
Cable Assembly (LA-B- to TP4)	313665-005	5-11	Carriage Assembly, Sideshift, 32 in.	313665-102	7-77
Cable Assembly (LA-F1 to M1-E1)	313665-017	5-11	Carriage Assembly, Sideshift, 37 in.	313665-101	7-77
Cable Assembly (LA-F2 to M1-E2)	313665-019	5-11	Carriage Assembly, Sideshift, 37 in. Wide (Bolzonii)	313665-101	7-67
Cable Assembly (LPC-1 to MP-D)	313665-010	5-11	Carriage Assembly, Sideshift, 37 in. Wide (Bolzonii)	313665-101	7-73
Cable Assembly (M1-A2 to LA-A2)	313665-009	5-11	Carriage Assembly, Sideshift, 37 in. Wide (Cascade)	313665-027	7-67
Cable Assembly (MP-A- to TP4)	313665-011	5-11	Carriage Assembly, Sideshift, 37 in. Wide (Cascade)	313665-027	7-73
Cable Assembly (MS- to TP4)	313665-014	5-11	Carriage Assembly, Sideshift, 37 in.	313665-027	7-75
Cable Assembly (MXS- to TP4)	313665-012	5-11	Carriage Weldment (32 in.)	313665-212	7-39
Cable Assembly (RA-A1 to M2-A1)	313665-008	5-11	Carriage Weldment (37 in.)	313665-213	7-39
Cable Assembly (RA-A2 to M2-A2)	313666-457	5-11	Carriage Weldment.	313665-755	7-5
Cable Assembly (RA-B- to TP4)	313665-004	5-11	Carriage Weldment.	313665-756	7-5
Cable Assembly (RA-F1 to M2-E2)	313665-016	5-11	Carriage, Class II (31 in.)	313665-414	7-15
Cable Assembly (RA-F2 to M2-E1)	313665-018	5-11	Carriage, Class II (31 in.)	313665-414	7-17
Cable Assembly (STR-1 to MS+)	313665-015	5-11	Carriage, Class II (31 in.)	313665-429	7-31
Cable Assembly (TPC-1 to LA-B+)	313665-006	5-11	Carriage, Class II (31 in.)	313665-492	7-51
Cable Assembly (TPC-1 to RA-B+)	313665-003	5-11	Carriage, Class II (37 in.)	313665-413	7-15
Cable Assembly.	313665-001	5-30	Carriage, Class II (37 in.)	313665-413	7-17
Cable Assembly.	313665-002	5-30	Carriage, Class II (37 in.)	313665-428	7-31
Cable Assembly.	313666-492	5-59	Carriage, Class II (37 in.)	313665-491	7-51
Cable Assembly.	313666-493	5-59	Carriage, Class II (41 in.)	313665-412	7-15
Cable Assembly.	313666-495	5-49	Carriage, Class II (41 in.)	313665-412	7-17
Cable Assembly.	313666-503	5-63	Carriage, Class II (41 in.)	313665-427	7-31
Cable.	313666-070	5-30	Carriage, Sideshift Assembly	Ref.	7-81
Cap, Base	313665-782	5-27	Cartridge, Valve (11 GPM)	313665-493	7-18
Cap, Bearing Machine	313665-241	4-7	Cartridge, Valve (8 GPM)	313665-494	7-18
Cap, Cylinder (Left Side)	313666-322	7-77	Cartridge, Valve	313665-382	7-29
Cap, Cylinder (Right Side)	313666-318	7-77	Chain Assembly, Free Lift (77 in. OACH)	313665-387	7-45
Cap, Dust, Coupling	313666-337	6-19	Chain Assembly, Free Lift (83 in. OACH)	313665-388	7-45
Cap, Dust, Coupling	313666-337	6-29	Chain Assembly, Free Lift (89 in. OACH)	313665-389	7-45
Cap, Dust, Coupling	313666-337	6-47	Chain Assembly, Free Lift (93 in. OACH)	313665-390	7-45
Cap, Dust	313666-337	6-9	Chain Assembly, Free Lift (98 in. OACH)	313665-368	7-45
Cap, End	313666-340	6-51	Chain Assembly, Inner Bootstrap (77 in. OACH)	313665-362	7-45
Cap, Filler Breather	313666-280	6-9	Chain Assembly, Inner Bootstrap (83 in. OACH)	313665-369	7-45
Cap, Hydraulic	313666-196	7-85	Chain Assembly, Inner Bootstrap (89 in. OACH)	313665-364	7-45
Cap, Knob Insert	313665-804	2-19	Chain Assembly, Inner Bootstrap (93 in. OACH)	313665-378	7-45
Cap, Knob Insert	313665-805	2-19	Chain Assembly, Inner Bootstrap (98 in. OACH)	313665-379	7-45
Cap, Knob Insert	313665-806	2-19	Chain Assembly, Lift (77 in. OACH)	313665-482	7-11
Cap, Piston	313665-131	6-59	Chain Assembly, Lift (77 in. OACH)	313665-482	7-27
Cap, Piston	313665-131	6-61	Chain Assembly, Lift (83 in. OACH)	313665-389	7-11
Cap, Ram Housing	313665-649	6-71	Chain Assembly, Lift (83 in. OACH)	313665-389	7-27
Cap, Ram Housing	313665-649	6-73	Chain Assembly, Lift (89 in. OACH)	313665-390	7-11
Cap, Ram Housing	313665-660	6-69	Chain Assembly, Lift (89 in. OACH)	313665-390	7-27
Cap, Steer Handle	313665-790	3-11	Chain Assembly, Lift (95 in. OACH)	313665-391	7-11
Cap, Tubing Clamp	313665-751	7-73	Chain Assembly, Lift (95 in. OACH)	313665-391	7-27
Cap	313665-523	7-21			
Cap	313665-523	7-33			
Cap	313665-551	7-21			
Cap	313665-551	7-33			
Card Assembly, Display	313665-159	5-21			
Card Assembly, Fuse, Relay	313665-148	5-17			
Card Assembly, SFC	313665-781	5-27			
Card Assembly, Translator	313665-639	5-11			
Card, Multivoltage Assembly	313666-526	5-51			
Carriage Assembly, Sideshift, 32 in. Wide (Bolzonii)	313665-102	7-67			
Carriage Assembly, Sideshift, 32 in. Wide (Bolzonii)	313665-102	7-73			
Carriage Assembly, Sideshift, 32 in. Wide (Cascade)	313665-026	7-67			

CRX30/35/40/50 Electric Stand-up Counter Balanced Lift Truck - Alphabetical Parts Index

Description	Part No.	Page	Description	Part No.	Page
Plug, Wear	313665-331	7-11	Ring, Backup	313665-028	6-55
Plug, Wear	313665-331	7-27	Ring, Backup	313665-028	6-57
Plug, Wear	313665-332	7-47	Ring, Backup	313665-028	6-59
Plug	313665-451	6-63	Ring, Backup	313665-028	6-61
Plug	313665-451	6-65	Ring, Backup	313665-028	6-69
Plug	313665-451	6-67	Ring, Backup	313665-028	6-71
Plug	313665-603	6-75	Ring, Backup	313665-028	6-73
Plug	313665-949	6-31	Ring, Backup	NSS	6-63
Plug	313666-165	6-23	Ring, Backup	NSS	6-65
Plug	313666-470	5-33	Ring, Backup	NSS	6-67
Plug	313666-470	5-35	Ring, Backup	NSS	6-75
Plug	313666-470	5-37	Ring, Cylinder Cap	313666-321	7-77
Plug	313666-470	5-39	Ring, Nylon	NSS	6-63
Plug	313666-470	5-41	Ring, Retainer	313666-158	6-57
Plug	313666-470	5-43	Ring, Retainer	313666-158	6-69
Plug	N/A	6-75	Ring, Retainer	313666-215	2-27
Plug	N/A	6-77	Ring, Retaining, External	313666-460	6-83
Plug	N/A	6-79	Ring, Retaining, Internal	313665-980	6-83
Plunger Assembly	N/A	6-65	Ring, Retaining	313665-450	6-65
Pocket	313665-056	2-15	Ring, Retaining	313665-450	6-67
Power Amplifier, Traction	313665-685	5-11	Ring, Retaining	313665-918	7-63
Power Section Weldment	Ref.	2-3	Ring, Retaining	313665-919	7-40
Pulley, Auxiliary Hose	313665-226	7-67	Ring, Retaining	313666-213	5-27
Pulley, Auxiliary Hose	313665-226	7-81	Ring, Retaining	313666-214	5-27
Pulley, Cable	313665-227	7-81	Ring, Retaining	313666-354	6-51
Pulley, Chain	313665-223	7-39	Ring, Retaining	N/A	6-77
Pulley, Chain	313665-795	7-40	Ring, Retaining	N/A	6-79
Pulley, Hose	313665-118	7-5	Ring, Snap	313665-346	6-75
Pulley, Lift Hose	313665-225	7-39	Ring, Snap	313665-346	7-11
Pulley, Sideshift	313665-113	7-73	Ring, Snap	313665-346	7-27
Pump and Motor Assembly	Ref.	6-42	Ring, Snap	313665-346	7-48
Pump Assembly, Auxiliary	313665-880	6-45	Ring, Snap	313665-347	7-11
Pump, Auxiliary	313665-878	6-47	Ring, Snap	313665-347	7-27
Pump, Auxiliary	313665-880	6-53	Ring, Snap	313665-347	7-48
Pump, Lift (Quad or 2 Stage 4000 lb. Masts Only)			Ring, Snap	313665-392	6-79
	313665-881	6-52	Ring, Snap	313665-392	7-48
Pump, Lift	313665-879	6-41	Ring, Snap	313665-392	7-55
Pump, Lift	313665-879	6-52	Ring, Snap	313665-392	7-59
Pump, Lift	313665-881	6-41	Ring, Snap	313665-423	7-11
Pump, Steer	313665-878	6-53	Ring, Snap	313665-423	7-27
Ram Assembly, Tilt, (Botler's Tilt)	Ref.	7-63	Ring, Snap	313666-212	6-57
Ram Assembly, Tilt	Ref.	7-63	Ring, Snap	313666-212	6-69
Ram, Tilt Assembly (Botler's Tilt)	313665-984	6-83	Ring, Strobe	313666-530	5-51
Ram, Tilt Assembly (Standard)	313665-981	6-83	Ring, Wear	NSS	6-63
Reducer, Hydraulic	313666-205	7-39	Ring, Wear	NSS	6-65
Relay	313665-057	5-17	Ring, Wear	NSS	6-67
Reservoir Weldment	313665-733	6-9	Ring, Wear	NSS	6-75
Resistor, Variable	313665-084	5-27	Ring, Wear	NSS	6-77
Restrictor, Flow, 1.5mm	313666-298	7-75	Ring, Wear	NSS	6-79
Retainer, Check Ball	313666-355	6-51	Ring	NSS	7-77
Retainer, Free Lift Ram	313665-481	7-11	Rivet	313666-273	4-15
Retainer, Free Lift Ram	313665-481	7-27	Rod and Core Assembly	313665-071	5-19
Retainer	313665-452	6-65	Rod End	N/A	6-77
Retainer	313665-452	6-67	Rod End	N/A	6-79
Retainer	313665-454	6-63	Rod, End	313666-283	5-23
Retainer	313665-602	6-75	Rod, Piston	NSS	6-63
Retainer	313665-616	6-77	Rod, Piston	313665-978	6-83
Retainer	313665-616	6-79	Rod, Piston	313665-983	6-83
Retainers	313665-292	7-47	Rod, Piston	N/A	6-67
Retainers	313665-411	7-17	Rod, Piston	N/A	6-75
Retainers	313665-411	7-31	Rod, Threaded	313665-774	5-23

CRX30/35/40/50 Electric Stand-up Counter Balanced Lift Truck - Numerical Parts Index

Part No.	Description	Page	Part No.	Description	Page
313665-221	Manifold	6-71	313665-276	Plug, Cylinder	6-71
313665-221	Manifold	6-73	313665-276	Plug, Cylinder	6-73
313665-222	Anchor, Chain, Right-Hand	7-39	313665-276	Plug, Mechanical Cylinder	6-55
313665-223	Pulley, Chain	7-39	313665-277	Clamp, Auxiliary Hose	7-67
313665-224	Anchor, Chain	6-69	313665-277	Clamp, Hose	7-81
313665-225	Pulley, Lift Hose	7-39	313665-278	Clamp, U Bolt	7-81
313665-226	Pulley, Auxiliary Hose	7-67	313665-279	Lever, Valve	5-23
313665-226	Pulley, Auxiliary Hose	7-81	313665-280	Stop, Carriage	7-39
313665-227	Pulley, Cable	7-81	313665-281	Decal, No Step	7-43
313665-228	Sleeve, Pulley	7-39	313665-281	Decal, No Step	7-9
313665-228	Sleeve, Pulley	7-67	313665-285	Shim	7-48
313665-228	Sleeve, Pulley	7-81	313665-286	Clamp	7-11
313665-229	Anchor, Chain, Left-Hand	7-39	313665-286	Clamp	7-27
313665-230	Anchor, Chain	7-39	313665-286	Clamp	7-47
313665-231	Anchor, Chain	6-71	313665-287	Decal, Warning-Trapped Air	7-9
313665-231	Anchor, Chain	6-73	313665-288	Decal, No Step	7-25
313665-232	Anchor, Tilt Cylinder	7-63	313665-288	Decal, No Step	7-43
313665-233	Anchor, Tilt Cylinder	7-63	313665-288	Decal, No Step	7-9
313665-234	Anchor, Tilt Cylinder	7-63	313665-289	Anchor, Chain	7-47
313665-235	Spacer, Pulley	7-39	313665-290	Bumper	7-11
313665-236	Spacer, Pulley	7-67	313665-290	Bumper	7-27
313665-236	Spacer, Pulley	7-81	313665-290	Bumper	7-47
313665-237	Spacer, Pulley	7-39	313665-291	Bracket	7-47
313665-238	Spacer, Pulley	7-39	313665-292	Retainers	7-47
313665-238	Spacer, Pulley	7-67	313665-293	Shaft	7-47
313665-239	Spacer, Pulley	7-39	313665-294	Bar, Stop	7-47
313665-240	Plate, Backup	7-67	313665-295	Shim	7-48
313665-240	Plate, Backup	7-81	313665-296	Shim	7-48
313665-241	Cap, Bearing Machine	4-7	313665-298	Shim, Cylinder	7-11
313665-242	Pad, Floor	2-15	313665-298	Shim, Cylinder	7-27
313665-243	Cover, Front, Left-Hand	2-15	313665-299	Shim, Cylinder	7-11
313665-244	Cover, Front, Center	2-15	313665-299	Shim, Cylinder	7-27
313665-245	Cover, Front, Right-Hand	2-15	313665-304	Shaft, Stub	7-55
313665-246	Cover, Knee	2-15	313665-305	Shaft, Stub	7-59
313665-247	Shim, Drive Unit	4-7	313665-306	Bracket, Carriage	7-55
313665-248	Cover, Bracket	2-7	313665-307	Hose Assembly, Free Lift (83 in. OACH)	7-56
313665-249	Cover, Bracket	2-7	313665-307	Hose Assembly, Free Lift (83 in. OACH)	7-60
313665-250	Cover, Eyebrow	2-15	313665-308	Band	7-47
313665-251	Cover, Eyebrow	2-15	313665-309	Tube Assembly	7-48
313665-252	Cover, Eyebrow	2-15	313665-310	Tube Assembly	7-48
313665-253	Cover, Steer	2-15	313665-311	Crosshead	7-47
313665-254	Pad, Elbow	2-15	313665-312	Plug, Wear	7-47
313665-255	Spacer, Brake Rotor	4-5	313665-313	Sheave	7-47
313665-256	Tiller, Steer Machine	3-11	313665-314	Main Frame Weldment (83 in. OACH)	7-48
313665-257	Hose, Lift, Suction	6-9	313665-315	Main Frame Weldment (89 in. OACH)	7-48
313665-258	Hose, Steer Suction, Formed	6-9	313665-316	Telescopic, Intermediate, Outer (83 in. OACH)	7-48
313665-259	Hose, Suction, Auxiliary	6-9	313665-317	Telescopic, Intermediate, Outer (89 in. OACH)	7-48
313665-260	Handle Assembly	6-33	313665-318	Telescopic, Intermediate, Inner (83 in. OACH)	7-48
313665-261	Handle Assembly	6-33	313665-319	Telescopic, Intermediate, Inner (89 in. OACH)	7-48
313665-262	Manifold Assembly Without HSA	6-9	313665-320	Telescopic, Inner (89 in. OACH)	7-48
313665-263	Manifold Assembly Without HSA and Sideshift	6-9	313665-321	Telescopic, Inner (83 in. OACH)	7-48
313665-264	Manifold Assembly With HSA and Sideshift	6-9	313665-322	Guide, Lower (77 in. OACH)	7-59
313665-265	Manifold Assembly, High Speed	6-27	313665-322	Guide, Lower (83 in. OACH)	7-59
313665-265	Manifold Assembly, High Speed	6-29	313665-323	Guide, Lower (77 in. OACH)	7-55
313665-266	Manifold Assembly, High Speed	6-27	313665-323	Guide, Lower (83 in. OACH)	7-55
313665-266	Manifold Assembly, High Speed	6-29	313665-324	Bracket, Hose Pulley	7-55
313665-267	Spool Assembly	6-27	313665-324	Bracket, Hose Pulley	7-59
313665-268	Spool Assembly	6-27	313665-325	Guide, Bar	7-55
313665-269	Wrench, Spanner	4-5	313665-325	Guide, Bar	7-59
313665-270	Bracket Assembly	5-21	313665-326	Bracket, Formed	7-59
313665-271	Handle Weldment	6-37			
313665-272	Bracket, Formed Standoff	7-39			
313665-273	Bracket, Mounting	2-7			
313665-274	Plug, Cylinder	6-69			
313665-274	Plug, Mechanical Cylinder	6-57			
313665-275	Cover, Bracket	2-7			

CLICK HERE TO **DOWNLOAD** THE COMPLETE MANUAL

- Thank you very much for reading the preview of the manual.
- You can download the complete manual from: www.heydownloads.com by clicking the link below



- Please note: If there is no response to **CLICKING** the link, please download this PDF first and then click on it.

CLICK HERE TO **DOWNLOAD** THE COMPLETE MANUAL