

Quality Parts

PPT 2000 MMD

Valid for machine number.....	306955AA-
Only valid for machine number.....	<input type="text"/> <input type="text"/> <input type="text"/> <input type="text"/> <input type="text"/> <input type="text"/> <input type="text"/> <input type="text"/>
Ordering number.....	161286
Date	1997-11-04
Language.....	GB; SE; GR; FR

CLICK HERE TO **DOWNLOAD** THE COMPLETE MANUAL

- Thank you very much for reading the preview of the manual.
- You can download the complete manual from: www.heydownloads.com by clicking the link below



- Please note: If there is no response to CLICKING the link, please download this PDF first and then click on it.

CLICK HERE TO **DOWNLOAD** THE COMPLETE MANUAL

Pos	Description	Pcs	Part No	Note
14	Bush Bussning; Bague; Bague	2	140168	
15	Cotter pin Saxpinne; Gespalter stift; Goupille fendue	2	20313	
16	Bush Bussning; Bague; Bague	2	140172	
17	Axle Axel; Achse; Axe	2	126131	
17	Axle(Stainless Steel) Axel(Rostfri); Achse(Nichtrostende); Axe(Inoxydable)	2	128507	
18	Locking pin Spännstift; Spannstift; Goupille	2	20001	
19	Axle Axel; Achse; Axe	1	146954	
19	Axle(Stainless Steel) Axel(Rostfri); Achse(Nichtrostende); Axe(Inoxydable)	1	146986	
20	Screw Skruv; Schraube; Vis	1	29768	
21	Bush Bussning; Bague; Bague	2	146933	
22	Screw Skruv; Schraube; Vis	2	29522	
24	Axle Axel; Achse; Axe	2	134521	
25	Bush Bussning; Bague; Bague	2	140173	
26	Link Länk; Gelenk; Bras	2	109319	
27	Bush Bussning; Bague; Bague	4	140173	
28	Washer Bricka; Scheibe; Rondelle	4	20013	
29	Split pin Hårnålssprint; Splint; Goupiller	2	28925	
30	Locking pin Spännstift; Spannstift; Goupille	2	20014	
33	Bracket Fäste; Halterung; Support	2	47110	

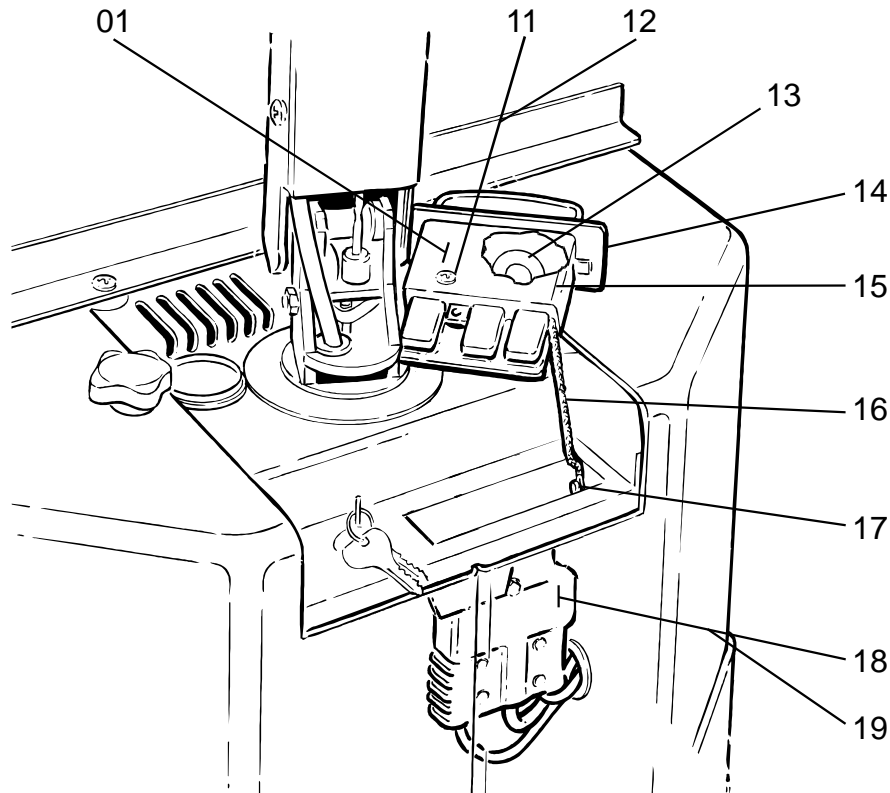
1700-011 Electrical drive motor

[1996-05-20]

Elektrisk drivmotor; Elektrofahrmotor; Moteur electrique

			215 PPT 2000MMD	284059 -
Pos	Description	Pcs	Part No	Note
01	Motor(Complete) Motor(Komplett); Motor(Komplett); Moteur(Complect)	1	138052	
02	Carbon brush Kolborste; Kohlebürste; Charbon	4	135858	
03	Brush bridge Borstbrygga; Bürstenbrücke; Support de porte balais	1	135853	
09	Rotor Rotor; Rotor; Rotor	1	139178	
10	Stator Stator; Ständer; Stator	1	139177	
11	Bearing shield Lagersköld; Lagerschild; Bouclier	1	135852	
12	Screw Skruv; Schraube; Vis	14	20224	
13	Washer Bricka; Scheibe; Rondelle	14	21351	
14	Locking ring Spårring; Schliessring; Circlip	1	27542	
15	Bearing Lager; Lager; Roulement	1	28560	
16	Locking ring Spårring; Schliessring; Circlip	1	22122	
17	Spring Fjäder; Feder; Ressort	4	149423	
18	Cable Kabel; Kabel; Câble	2	27899	
19	Key Kil; Keil; Clavette	1	27900	
20	Locking ring Spårring; Schliessring; Circlip	1	20923	
21	Locking ring Spårring; Schliessring; Circlip	1	29515	
22	Washer Bricka; Scheibe; Rondelle	1	29516	
23	Washer Bricka; Scheibe; Rondelle	1	29517	
24	Ball bearing Kullager; Kugellager; Roulement a billes	1	26102	
25	Bearing shield Lagersköld; Lagerschild; Bouclier	1	139172	
26	Sealing Tätning; Dichtung; Joint	1	27898	
27	Plug Propp; Pfropfen; Bouchon	4	148206	
28	Isolation bush Isolerbussning; Isolierbuchse; Bague isolation	4	27551	
29	Nut Mutter; Mutter; Ecrou	2	21110	
30	Washer Bricka; Scheibe; Rondelle	2	21275	
31	Nut Mutter; Mutter; Ecrou	2	20081	

5190-003

**5190-003 Battery cut out contactor / plug**

[1996-11-19]

Batterifrånskiljare, huvudkontaktör; Batterietrennung, hauptschütz; Interrupteur de batterie

			215 PPT 2000MMD	284059 -
Pos	Description	Pcs	Part No	Note
01	Connector socket Kabelhandske; Leistungverbinder; Connexion socle.	1	127486	
11	Screw Skruv; Schraube; Vis	2	26956	
12	Nut Mutter; Mutter; Ecrou	2	26957	
13	Cable Kabel; Kabel; Câble	1	127487	
14	Handle Handtag; Handgriff; Poignée.	1	127482	
15	Connector Handske; Stecker; Bloc de connexion	1	127483	
16	Wire Wire; Drahtseil; Filament	1	127488	
17	Cable clip Kabelsko; Anschlussklemme; Oeillet de cable	1	22389	
18	Connector Handske; Stecker; Bloc de connexion	1	127484	
19	Battery connector with cable cpl. Batterihandske med kabel kpl.; Stromstecker mit Kabel Kpl; Bloc de connexion avec câble cpl.	1	140303	

5430-003 Motor cables, resistors

[1996-11-20]

Effektkablar, effektmotstånd; Leistungskabeln, Widerstand; Cables moteur, resistances

<i>Transistor; Transistor; Transistor; Transistor</i>			215 PPT 2000MMD	284059 -
Pos	Description	Pcs	Part No	Note
01	Fuse(100A) Säkring; Sicherung; Fusible	1	29228	
11	Insulator Isolator; Isolator; Isolateur	2	65183	
12	Washer Bricka; Scheibe; Rondelle	4	65184	
13	Washer Bricka; Scheibe; Rondelle	2	21393	
14	Nut Mutter; Mutter; Ecrou	2	20045	
15	Washer Bricka; Scheibe; Rondelle	4	21307	
16	Screw Skruv; Schraube; Vis	4	27500	
17	Cable Kabel; Kabel; Câble	1	137606	
18	Cable Kabel; Kabel; Câble	1	136747	
19	Cable(4) Kabel; Kabel; Câble	1	139216	
20	Cable Kabel; Kabel; Câble	1	134656	
21	Cable Kabel; Kabel; Câble	1	134659	
21	Cable Kabel; Kabel; Câble	1	152910	PPT 1400 MXC,PPT 1400 C
23	Cable Kabel; Kabel; Câble	1	134660	
23	Cable Kabel; Kabel; Câble	1	152911	PPT 1400 MXC,PPT 1400 C
24	Cable Kabel; Kabel; Câble	1	136765	
25	Cable(Transistor) Kabel; Kabel; Câble	1	137591	
26	Cable(A1) Kabel; Kabel; Câble	1	139173	
27	Cable(5) Kabel; Kabel; Câble	1	139217	
28	Cable Kabel; Kabel; Câble	1	136746	
29	Cable Kabel; Kabel; Câble	1	136749	
30	Cable(A2) Kabel; Kabel; Câble	1	139174	
31	Cable Kabel; Kabel; Câble	1	136748	

CLICK HERE TO **DOWNLOAD** THE COMPLETE MANUAL

- Thank you very much for reading the preview of the manual.
- You can download the complete manual from: www.heydownloads.com by clicking the link below



- Please note: If there is no response to CLICKING the link, please download this PDF first and then click on it.

CLICK HERE TO **DOWNLOAD** THE COMPLETE MANUAL