

Quality Parts

PPT 1400 C

Valid for machine number.....	340960AA-
Only valid for machine number.....	<input type="text"/> <input type="text"/> <input type="text"/> <input type="text"/> <input type="text"/> <input type="text"/> <input type="text"/> <input type="text"/>
Ordering number.....	172387
Date	1999-06-10 / ESDJ
Language.....	GB; SE; DE; FR

CLICK HERE TO **DOWNLOAD** THE COMPLETE MANUAL

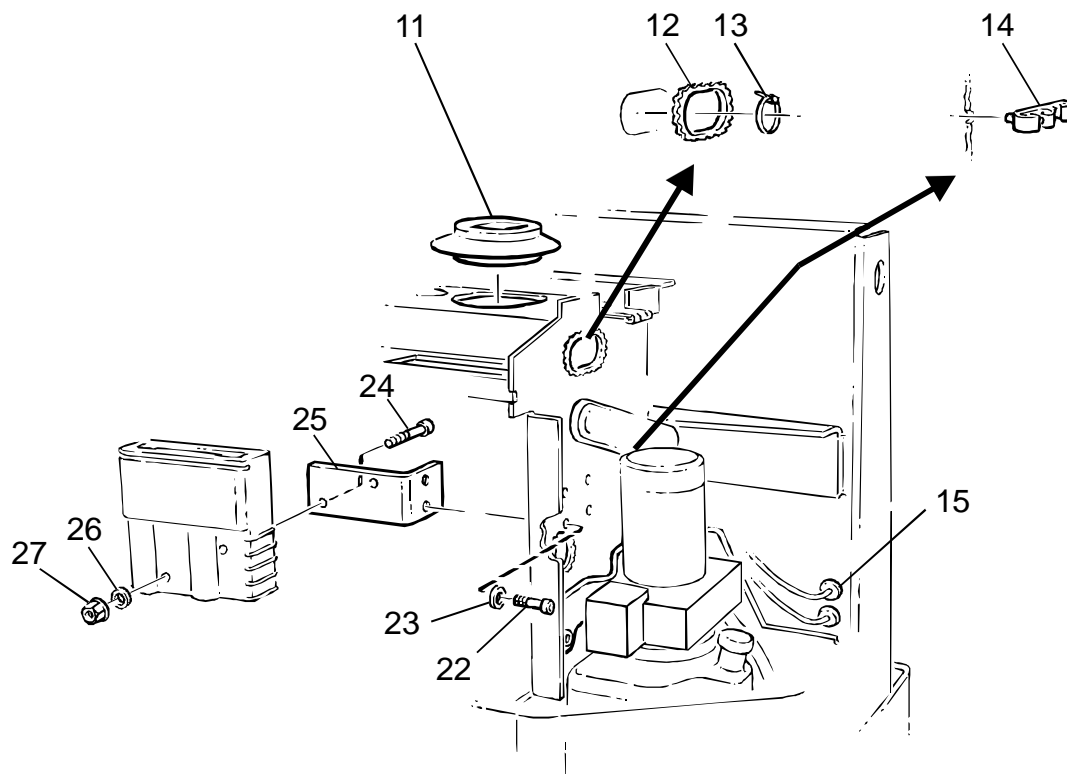
- Thank you very much for reading the preview of the manual.
- You can download the complete manual from: www.heydownloads.com by clicking the link below



- Please note: If there is no response to CLICKING the link, please download this PDF first and then click on it.

CLICK HERE TO **DOWNLOAD** THE COMPLETE MANUAL

0400-004



0400-004 Frame/Chassis components

[1996-01-12]

Rammonterade detaljer; Rahmen mont. Teile; Composants du chassis

Pos	Description	Pcs	Part No	Note
11	Dust guard Damask; Gamaschen; Dispositif de protection	1	134501	
12	List List; Leiste; Bande		22420	
13	Clamp Klamma; Rohrschelle; Collier		28192	
14	Clamp Klamma; Rohrschelle; Collier	1	138966	
15	Conduit entry Kabelgenomföring; Kabeldurchgang; Traversée de câble		134334	
22	Washer Bricka; Scheibe; Rondelle	2	21275	
23	Screw Skruv; Schraube; Vis	2	20184	
24	Screw Skruv; Schraube; Vis	2	22635	
25	Bracket Fäste; Halterung; Support	1	134511	
26	Washer Bricka; Scheibe; Rondelle	2	20375	
27	Nut Mutter; Mutter; Ecrou	2	20433	

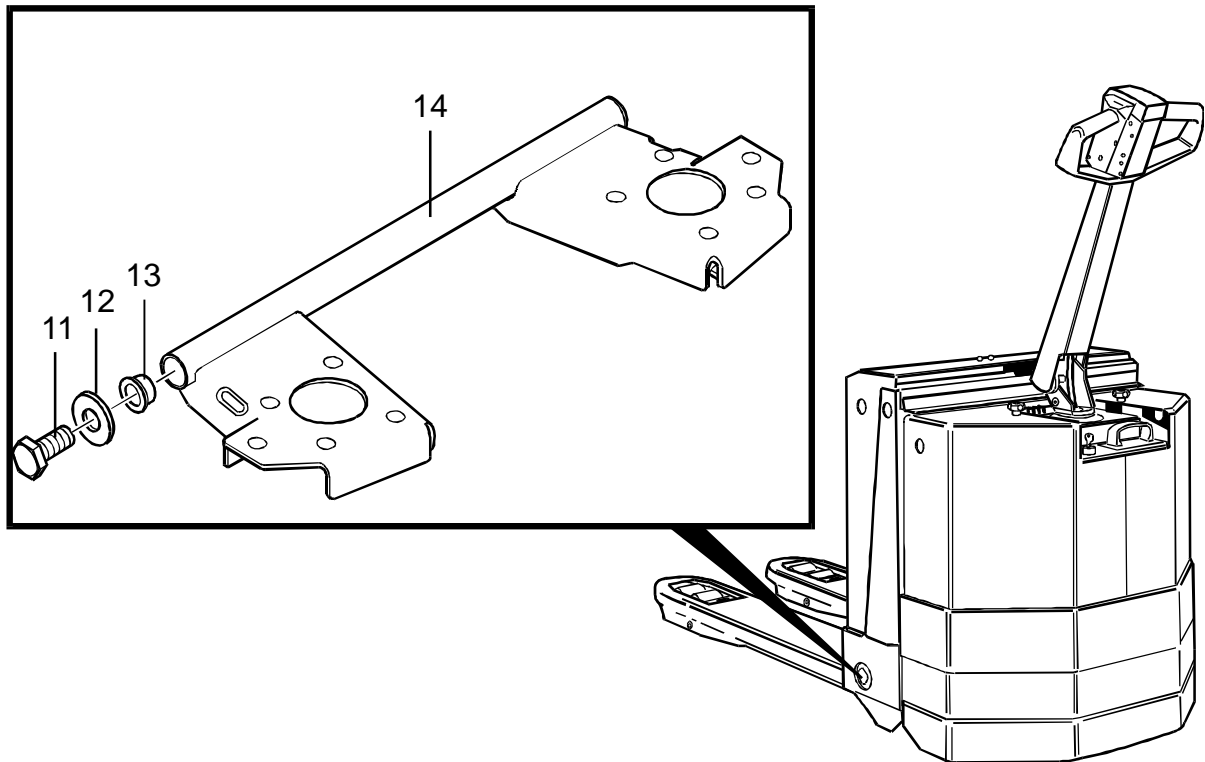
2550-024 Mechanical drive gear units

[1999-03-14]

Drivaggregat/-växel; Antriebsaggregat / Getriebe; Groupe de traction

			182 PPT 1400 C	335439 -
Pos	Description	Pcs	Part No	Note
01	Driving gear compl. Drivväxel kompl.; Antriebsatz kompl.; Groupe de entrainement compl.	1	170539	
11	Dip stick Oljesticka; Ölmesstab; Jauge d'huile	1	135915	
12	Washer Bricka; Scheibe; Rondelle	1	28998	
13	Shim(0,05mm) Shims; Schim; Cale		27220	
13	Shim(0,1mm) Shims; Schim; Cale		27221	
13	Shim(0,2mm) Shims; Schim; Cale		27222	
13	Shim(0,3mm) Shims; Schim; Cale		27223	
13	Shim(0,5mm) Shims; Schim; Cale		27224	
13	Shim(1 mm) Shims; Schim; Cale		27225	
14	Screw Skruv; Schraube; Vis	4	21141	
15	Shim(0,05mm) Shims; Schim; Cale		27232	
15	Shim(0,1mm) Shims; Schim; Cale		27233	
15	Shim(0,2mm) Shims; Schim; Cale		27234	
15	Shim(0,3mm) Shims; Schim; Cale		27235	
15	Shim(0,5 mm) Shims; Schim; Cale		27236	
15	Shim(1 mm) Shims; Schim; Cale		27237	
16	Roller bearing Rullager; Rollenlager; Palier à rouleaux	1	27208	
17	Spare part kit : Bevel gear Reservdelssats : Koniskt kugghjul; Satz : Kegelrad; Jeux : Roue conique à denture droite	1	101092	
18	Nut Mutter; Mutter; Ecrou	1	101098	
19	Washer Bricka; Scheibe; Rondelle	1	23604	
20	Roller bearing Rullager; Rollenlager; Palier à rouleaux	1	27206	
21	Shim(0,05mm) Shims; Schim; Cale		27238	
21	Shim(0,1mm) Shims; Schim; Cale		27239	
21	Shim(0,2mm) Shims; Schim; Cale		27240	
21	Shim(0,3mm) Shims; Schim; Cale		27241	
21	Shim(0,5mm) Shims; Schim; Cale		27242	
21	Shim(1 mm) Shims; Schim; Cale		27243	
22	Screw Skruv; Schraube; Vis	2	28519	
24	Screw Skruv; Schraube; Vis	2	20276	
25	Cap Lock; Deckel; Couvercle	1	127280	

3570-032



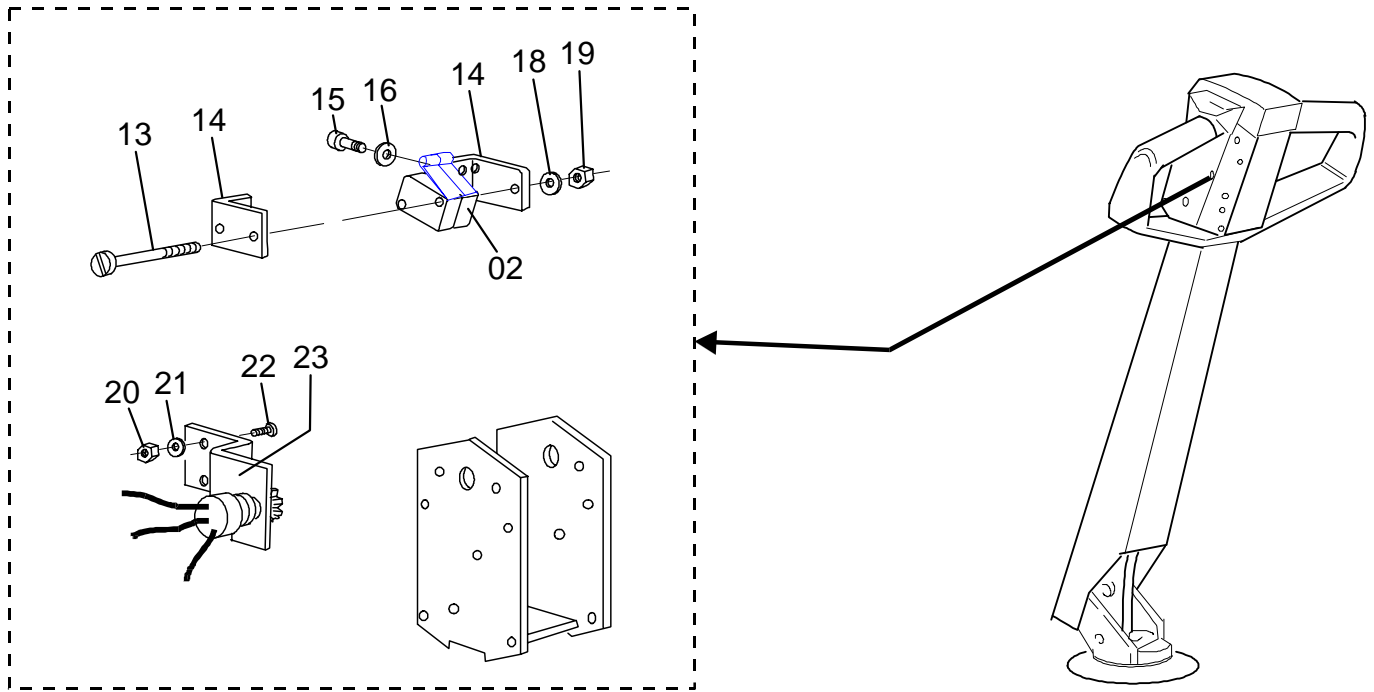
3570-032 Wheel locating points

[1996-11-19]

Hjulinfästning, upphängning; Radaufhängung; Points de fixation

Pos	Description	Pcs	Part No	Note
11	Screw Skruv; Schraube; Vis	2	134468	
12	Washer Bricka; Scheibe; Rondelle	2	28933	
13	Bush Bussning; Bague; Bague	2	140178	
14	Consol Konsol; Konsole; Console	1	134462	

5330-029



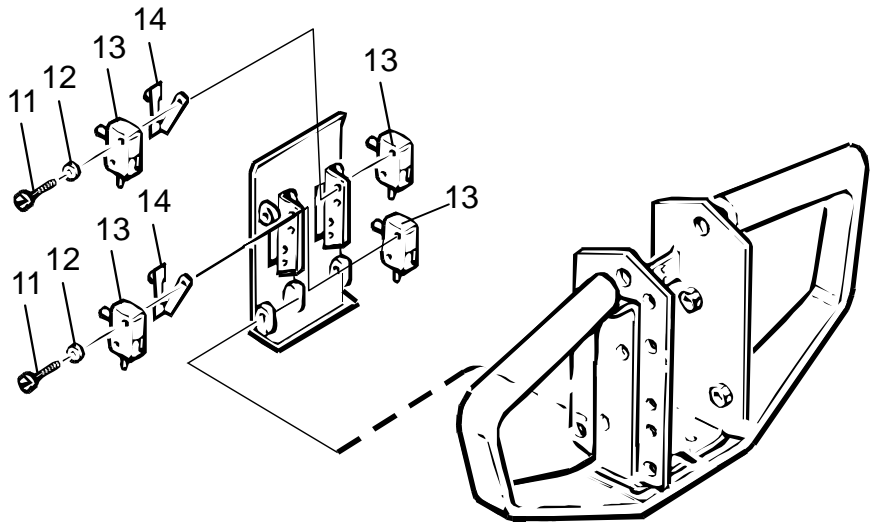
5330-029 Speed controls

Fartreglage; Geschwindigkeitsregle / Schalter; Regulateur de vitesse

[1998-11-20]

			182 PPT 1400 C	329900 -
Pos	Description	Pcs	Part No	Note
02	Micro switch Mikrobrytare; Mikroschalter; Interrupteurs	2	156279	
13	Screw Skruv; Schraube; Vis	2	20720	
14	Bracket Fäste; Halterung; Support	1	134065	
15	Screw Skruv; Schraube; Vis	4	21134	
16	Washer Bricka; Scheibe; Rondelle	4	21392	
18	Washer Bricka; Scheibe; Rondelle	2	21392	
19	Nut Mutter; Mutter; Ecrou	2	20255	
20	Nut Mutter; Mutter; Ecrou	2	20235	
21	Washer Bricka; Scheibe; Rondelle	2	20236	
22	Screw Skruv; Schraube; Vis	2	24354	
23	Potentiometer(Complete) Potentiometer(Komplett); Potentiometer(Komplett); Potentiometre(Comple)	1	166303	

5510-027



5510-027 Micro switches

[1997-10-28]

Mikrobrytare, manöverbrytare; Bedienungs- / Microschalter; Micro-switches

<i>Extra lifting / sinking; Extra lyft / sänkning; Extra hebe / senkung; Extralevage / d'epression</i>			182 PPT 1400 C	306955 -
Pos	Description	Pcs	Part No	Note
11	Screw Skruv; Schraube; Vis	8	23638	
12	Washer Bricka; Scheibe; Rondelle	8	21392	
13	Micro switch Mikrobrytare; Mikroschalter; Interrupteurs	4	156278	
14	Operating device Manöverdon; Steuerungsvorrichtung; Bras de commande	4	156919	

9400-013 Extra electrical equipment

[1998-05-14]

Extra elektrisk utrustning; Zusatzausrüstung Elektroanlage; Equipement electr. supplementaire

			182 PPT 1400 C	324214 -
Pos	Description	Pcs	Part No	Note
11	Battery charger(Complete) Batteriladdare(Komplett); Batterieladevorrichtung(Komplett); Chargeur (batterie)(Complett)	1	164869	
12	Contact Kontakt; Kontakt; Contact	1	164873	
13	Wiring harness Kablage; Kabelsatz; Câblage	1	164872	
14	Screw Skruv; Schraube; Vis	3	28835	
15	Washer Bricka; Scheibe; Rondelle	1	20375	
16	Screw Skruv; Schraube; Vis	1	21503	
17	Fan Fläkt; Kühlgebläse; Ventilateur	1	164871	
18	Battery charger Batteriladdare; Batterieladevorrichtung; Chargeur (batterie)	1	164870-001	
19	Fuse(6,3 A) Säkring; Sicherung; Fusible	1	28302	
20	Distance piece Distans; Distanz; Distance	4	27022	
21	Cover(Red) Huv(Röd); Haube(Rot); Capot(Rouge)	1	163193-020	
21	Cover(Orange) Huv; Haube; Capot	1	163193-030	
21	Cover(Red) Huv(Röd); Haube(Rot); Capot(Rouge)	1	163193-040	
22	Sign Skylt; Schild; Vignette	1	164927	
23	Cap Lock; Deckel; Couvercle	1	150743	
24	List(Meter) List(Meter); Leiste(Meter); Bande(Metre)	1	21762	

CLICK HERE TO **DOWNLOAD** THE COMPLETE MANUAL

- Thank you very much for reading the preview of the manual.
- You can download the complete manual from: www.heydownloads.com by clicking the link below



- Please note: If there is no response to CLICKING the link, please download this PDF first and then click on it.

CLICK HERE TO **DOWNLOAD** THE COMPLETE MANUAL