

Quality Parts

PPS 1600 MXD

Valid for machine number.....	319481AA-
Only valid for machine number.....	<input type="text"/> <input type="text"/> <input type="text"/> <input type="text"/> <input type="text"/> <input type="text"/> <input type="text"/>
Ordering number.....	163531
Date	1998-05-18 / BDJ
Language.....	GB; SE; DE; FR

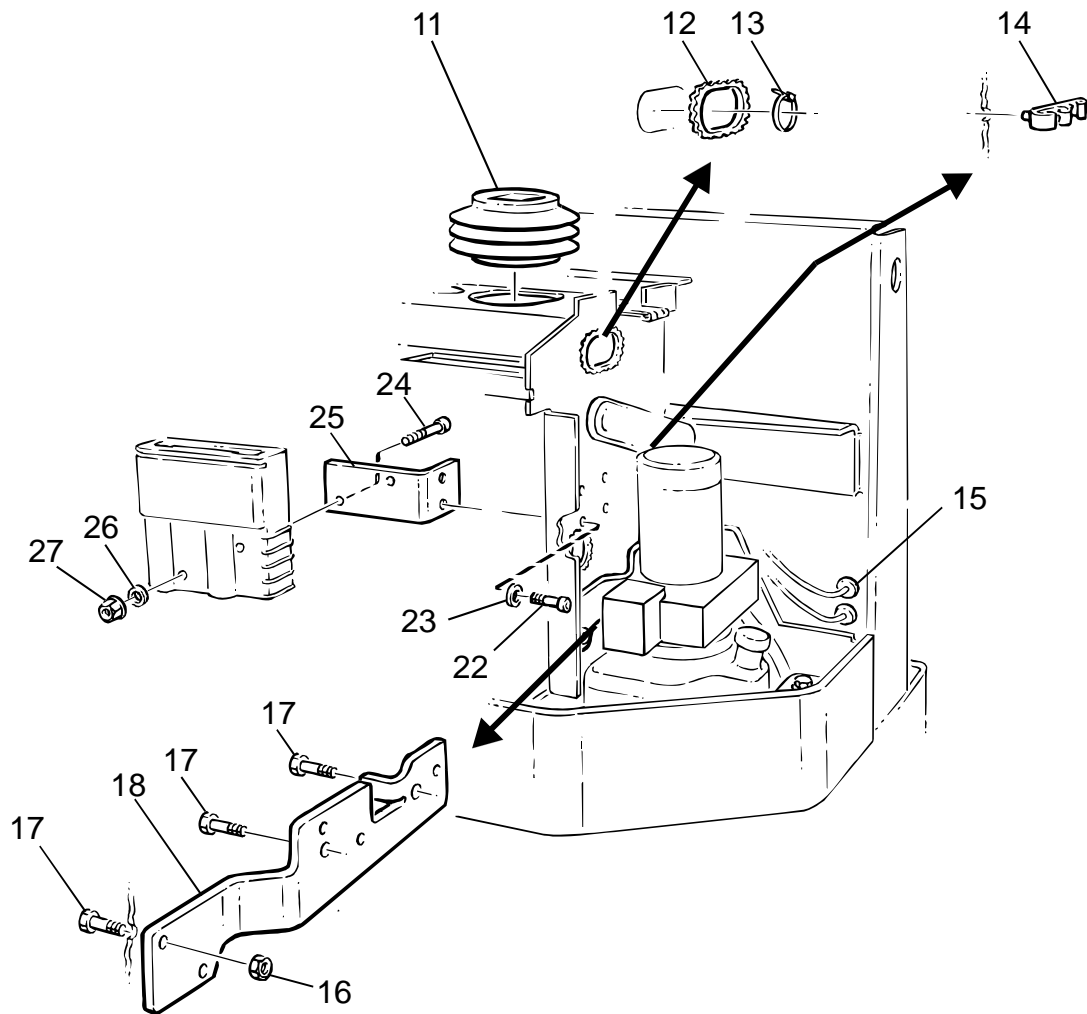
CLICK HERE TO **DOWNLOAD** THE COMPLETE MANUAL

- Thank you very much for reading the preview of the manual.
- You can download the complete manual from: www.heydownloads.com by clicking the link below



- Please note: If there is no response to CLICKING the link, please download this PDF first and then click on it.

CLICK HERE TO **DOWNLOAD** THE COMPLETE MANUAL



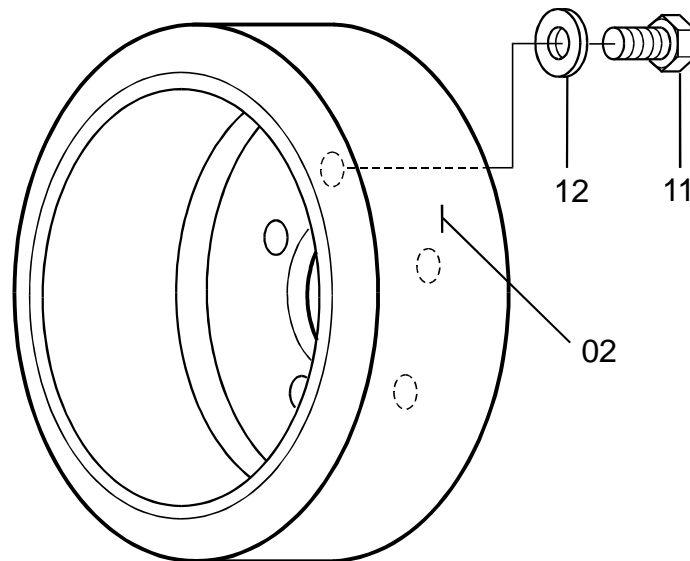
0850-069 Signs, warnings

[1998-04-24]

Skyltar, varningar; Schilder, Warnzeichen; Vignette, avertissement

			349 PPS 1600MXD	319481 -
Pos	Description	Pcs	Part No	Note
11	Sign Skylt; Schild; Vignette	1	160524	
14	Sign Skylt; Schild; Vignette	1	148227	
15	Sign Skylt; Schild; Vignette	2	147316	
16	Sign Skylt; Schild; Vignette	2	152027	
17	Sign(" BT ") Skylt; Schild; Vignette	1	151847	
18	Sign Skylt; Schild; Vignette	1	72082	
19	Sign Skylt; Schild; Vignette	1	148226	
20	Sign(" MAXI ") Skylt; Schild; Vignette	1	151856	
21	Plate Plåt; Platte; Plaque	1	164233	

3530-012



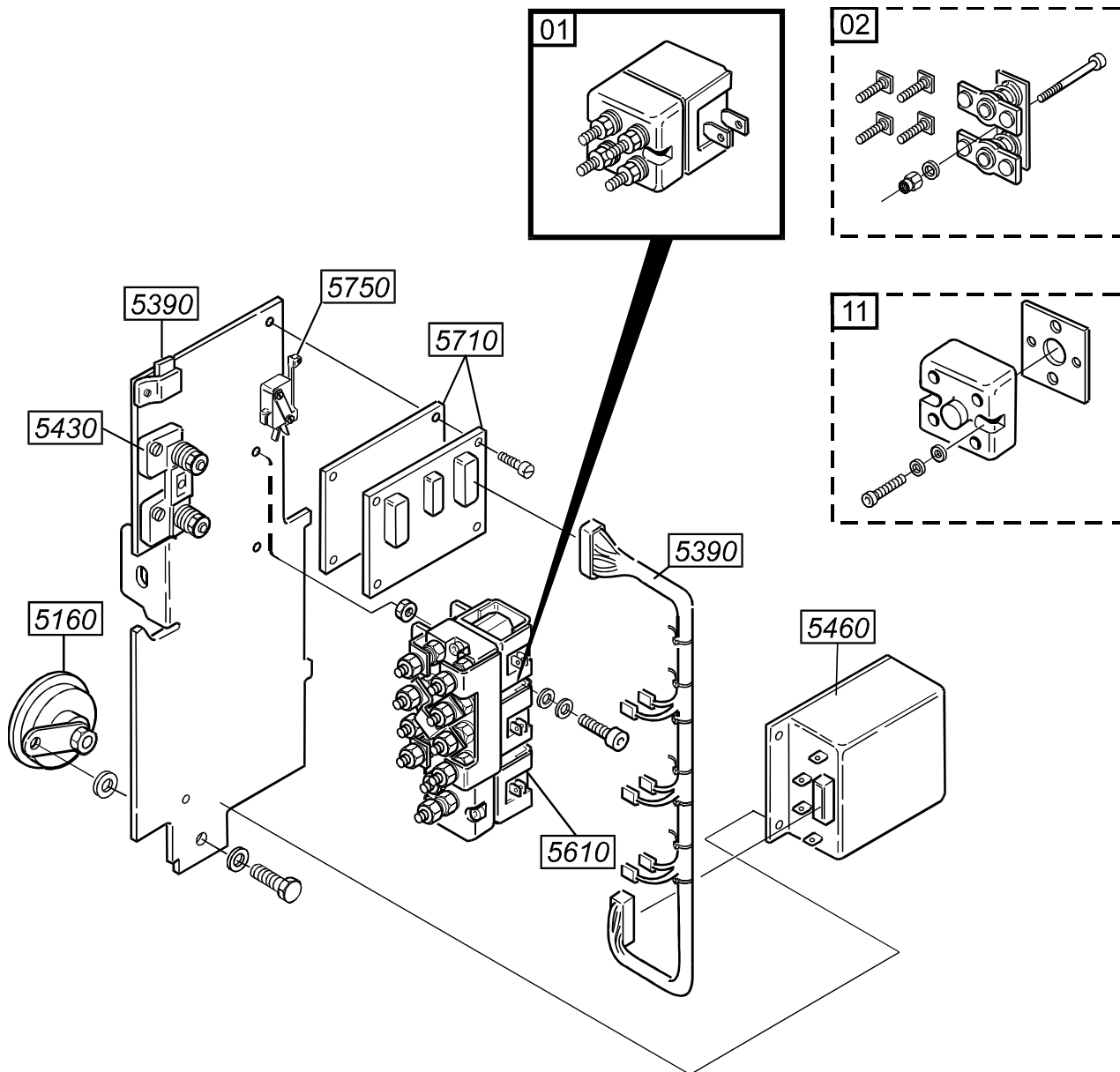
3530-012 Drive wheel

Drivhjul; Antriebsrad; Roue motrice

[1997-03-11]

			349 PPS 1600MXD	296773 -
Pos	Description	Pcs	Part No	Note
02	Drive wheel(Tractothan) Drivhjul; Antriebsrad; Roue entrainement	1	143308	
02	Drive wheel(Rubber) Drivhjul(Gummi); Antriebsrad(Gummi); Roue entrainement(Gomme)	1	147214	
11	Screw Skruv; Schraube; Vis	5	110803	
12	Washer Bricka; Scheibe; Rondelle	5	21393	

5440-006



5440-006 Direction contactors

[1996-11-20]

Riktningsskottor; Richtungsschütze; Contacteurs de direction

Pos	Description	Pcs	Part No	Note
01	Contacteur Kontaktör; Kontaktör; Contacteur	2	135653	
02	Contact set Kontaktsats; Kontaktsats; Jeux de contact	2	135625	
11	Isulator kit Isolationssats; Isolationssats; Jeux de isolant	2	135623	

CLICK HERE TO **DOWNLOAD** THE COMPLETE MANUAL

- Thank you very much for reading the preview of the manual.
- You can download the complete manual from: www.heydownloads.com by clicking the link below



- Please note: If there is no response to CLICKING the link, please download this PDF first and then click on it.

CLICK HERE TO **DOWNLOAD** THE COMPLETE MANUAL