

## Quality Parts

PPS 1200 MXS

Valid for machine number.....	329900AA-								
Only valid for machine number.....	<table border="1"><tr><td> </td><td> </td><td> </td><td> </td><td> </td><td> </td><td> </td><td> </td></tr></table>								
Ordering number.....	166908								
Date .....	1998-11-26 / ESDJ								
Language.....	GB; SE; DE; FR								

CLICK HERE TO **DOWNLOAD** THE COMPLETE MANUAL

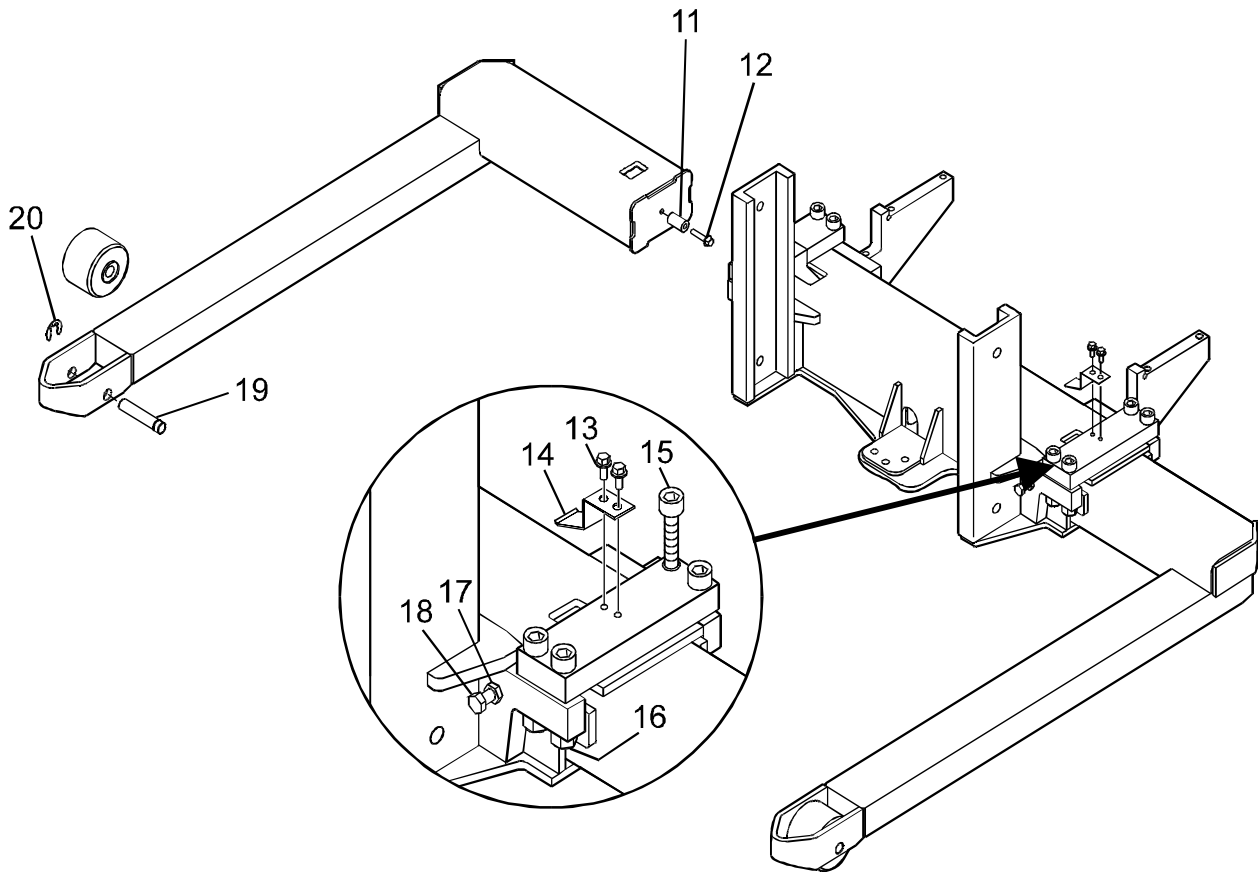
- Thank you very much for reading the preview of the manual.
- You can download the complete manual from: [www.heydownloads.com](http://www.heydownloads.com) by clicking the link below



- Please note: If there is no response to CLICKING the link, please download this PDF first and then click on it.

CLICK HERE TO **DOWNLOAD** THE COMPLETE MANUAL

## 0350-007



## 0350-007 Support / stabilization arms

[1996-09-16]

Stöbber/stabilisator; Stützbein / stabilisator; Bras porteurs

Pos	Description	Pcs	Part No	Note
11	Sleeve Hylsa; Hülse; Douille	2	146372	
12	Screw Skruv; Schraube; Vis	2	28740	
13	Screw Skruv; Schraube; Vis	2	27711	
14	Spring Fjäder; Feder; Ressort	2	146222	
15	Screw Skruv; Schraube; Vis	8	28257	
16	Nut Mutter; Mutter; Ecrou	8	21123	
17	Nut Mutter; Mutter; Ecrou	2	20777	
18	Screw Skruv; Schraube; Vis	2	28469	
19	Axle Axel; Achse; Axe	2	144876-001	
19	Axle(Stainless Steel) Axel(Rostfri); Achse(Nichtrostende); Axe(Inoxydable)	2	156971-001	
20	Locking ring Spärring; Schliessring; Circlip	2	24000	



**1700-027 Electrical drive motor**

[1998-11-19]

Elektrisk drivmotor; Elektrofahrmotor; Moteur electrique

			353 PPS 1200MXS	329900 -
Pos	Description	Pcs	Part No	Note
01	Motor(Complete) Motor(Komplett); Motor(Komplett); Moteur(Complet)	1	167201	
02	Carbon brush Kolborste; Kohlebürste; Charbon	4	135858	
03	Brush bridge Borstbrygga; Bürstenbrücke; Support de porte balais	1	135853	
09	Rotor Rotor; Rotor; Rotor	1	139178	
10	Stator Stator; Ständer; Stator	1	169554	
11	End shield Lagersköld; Lagerschild; Bouclier	1	135852	
12	Screw Skruv; Schraube; Vis	14	20224	
13	Washer Bricka; Scheibe; Rondelle	14	21351	
14	Locking ring Spårring; Schliessring; Circlip	1	27542	
15	Bearing Lager; Lager; Roulement	1	28560	
16	Locking ring Spårring; Schliessring; Circlip	1	22122	
17	Spring Fjäder; Feder; Ressort	4	149423	
18	Cable Kabel; Kabel; Câble	2	27899	
19	Key Kil; Keil; Clavette	1	27900	
20	Locking ring Spårring; Schliessring; Circlip	1	20923	
21	Locking ring Spårring; Schliessring; Circlip	1	29515	
22	Washer Bricka; Scheibe; Rondelle	1	29516	
23	Washer Bricka; Scheibe; Rondelle	1	29517	
24	Ball bearing Kullager; Kugellager; Roulement a billes	1	26102	
25	End shield Lagersköld; Lagerschild; Bouclier	1	139172	
26	Sealing Tätning; Dichtung; Joint	1	27898	
27	Plug Propp; Pfropfen; Bouchon	4	148206	
28	Isolation bush Isolerbussning; Isolierbuchse; Bague isolation	4	27551	
29	Nut Mutter; Mutter; Ecrou	2	21110	
30	Washer Bricka; Scheibe; Rondelle	2	21275	
31	Nut Mutter; Mutter; Ecrou	2	20081	

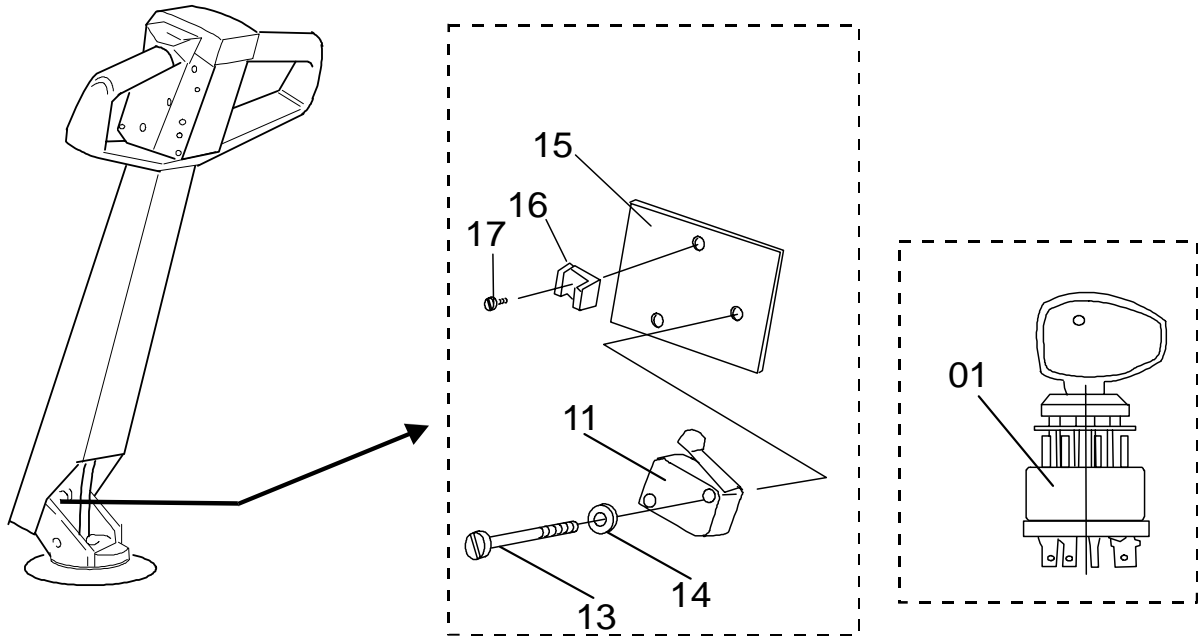
**4110-062 Steering arm / wheel / lever**

[1997-11-08]

Manöverreglage arm/ratt/spak; Steuerarm, Lenkrad / Hebel; Bras / roue / levier de Direction

With driver platform; Med förarplattform; Mit Fahrerplattform; Avec plate forme du conducteur		353	PPS 1200MXS	309700 -
Pos	Description	Pcs	Part No	Note
01	Steering arm compl.(Transistor) Styrmarm kompl.; Deichsel kompl.; Timon compl.	1	153673	Extra lifting / sinking Extra lyft / sänkning; Extra hebe / senkung; Extralevage / d'epression
01	Steering arm compl.(Transistor) Styrmarm kompl.; Deichsel kompl.; Timon compl.	1	160286	Lifting / sinking Lyft / sänkning; Hebe / senkung; Levage / d'epression
01	Steering arm compl.(Transistor) Styrmarm kompl.; Deichsel kompl.; Timon compl.	1	166662	Lift Lyft; Hebe; Levage
01	Steering arm compl.(Transistor) Styrmarm kompl.; Deichsel kompl.; Timon compl.	1	166663	Extra lifting Extra lyft; Extra hebe; Extralevage
11	Cap Lock; Deckel; Couvercle	1	142251	Lift Lyft; Hebe; Levage
11	Cap Lock; Deckel; Couvercle	1	142251	Lifting / sinking Lyft / sänkning; Hebe / senkung; Levage / d'epression
11	Cap Lock; Deckel; Couvercle	1	151432	Extra lifting / sinking Extra lyft / sänkning; Extra hebe / senkung; Extralevage / d'epression
11	Cap Lock; Deckel; Couvercle	1	151432	Extra lifting Extra lyft; Extra hebe; Extralevage
12	Screw Skruv; Schraube; Vis	4	28545	
13	Screw Skruv; Schraube; Vis	2	24470	
14	Operating arm housing Manöverarmshus; Steuerarm Gehäuse; Boîtier de timon commande	1	141950	
15	Handle Handtag; Handgriff; Poignée.	1	141846	
16	Screw Skruv; Schraube; Vis	2	20276	
17	Cap Lock; Deckel; Couvercle	1	142250	
18	Washer Bricka; Scheibe; Rondelle	2	20404	
19	Nut Mutter; Mutter; Ecrou	2	20016	
20	Nut Mutter; Mutter; Ecrou	2	21110	
21	Bracket Fäste; Halterung; Support	1	134491	
22	Plate Plåt; Platte; Plaque	1	134476	
23	Washer Bricka; Scheibe; Rondelle	2	21307	
24	Screw Skruv; Schraube; Vis	2	22059	
25	Cap Lock; Deckel; Couvercle	1	151569	
26	Axle Axel; Achse; Axe	1	134494	
27	Locking pin Spännstift; Spannstift; Goupille	1	20189	
28	Gas suspension Gasfjäder; Gasfederung; Suspension à gaz	1	153960-065	
29	Bush Bussning; Bague; Bague	2	140177	
30	Cap Lock; Deckel; Couvercle	1	147392	
31	Bracket Fäste; Halterung; Support	1	163010	

5310-032



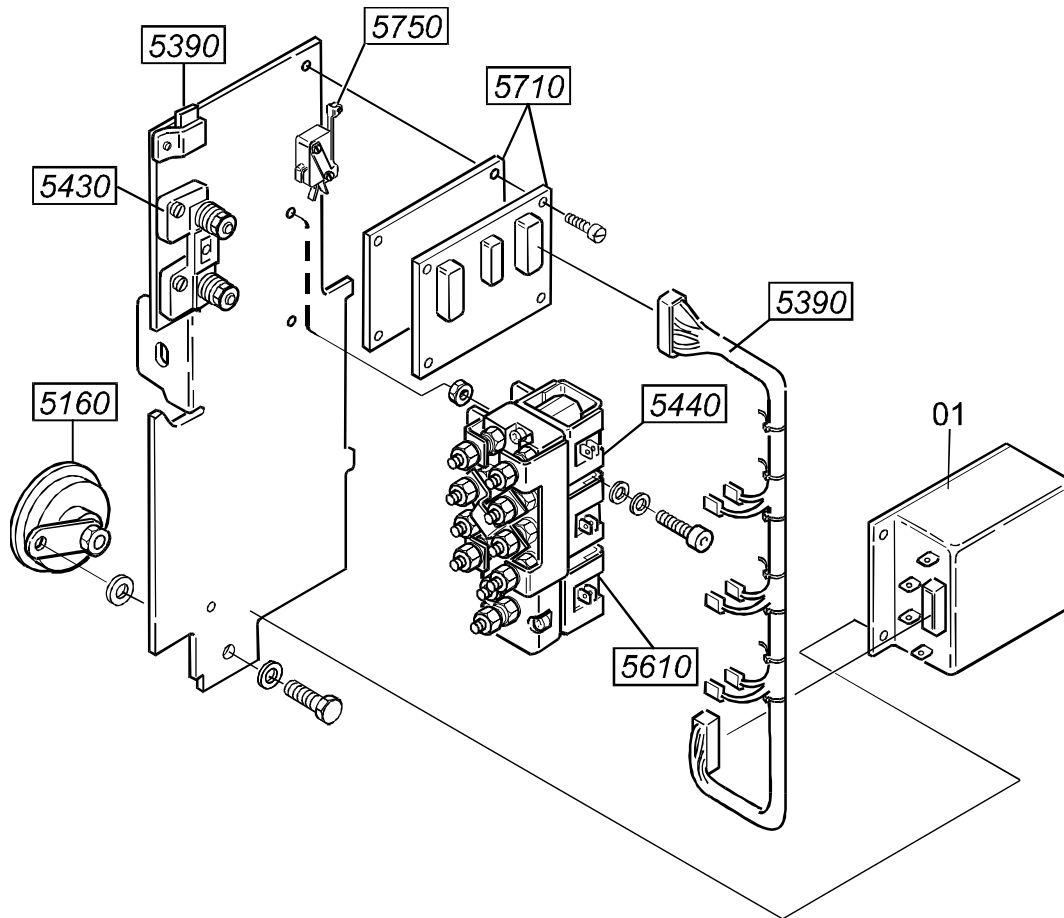
5310-032 Start/stop switch

[1998-11-22]

Start/stopströmställare; Schalter Fahren/Anhalten; Interrupteurs depart/arret

			353 PPS 1200MXS	329900 -
Pos	Description	Pcs	Part No	Note
01	Ignition switch Startlås; Zündschloss; Contact-démarrreur	1	28554	
11	Micro switch Mikrobrytare; Mikroschalter; Interrupteurs	1	156280	
13	Screw Skruv; Schraube; Vis	2	23638	
14	Washer Bricka; Scheibe; Rondelle	2	21392	
15	Plate Plåt; Platte; Plaque	1	156722	
16	Clamp Klamma; Rohrschelle; Collier	1	20942	
17	Screw Skruv; Schraube; Vis	1	20120	

## 5460-013



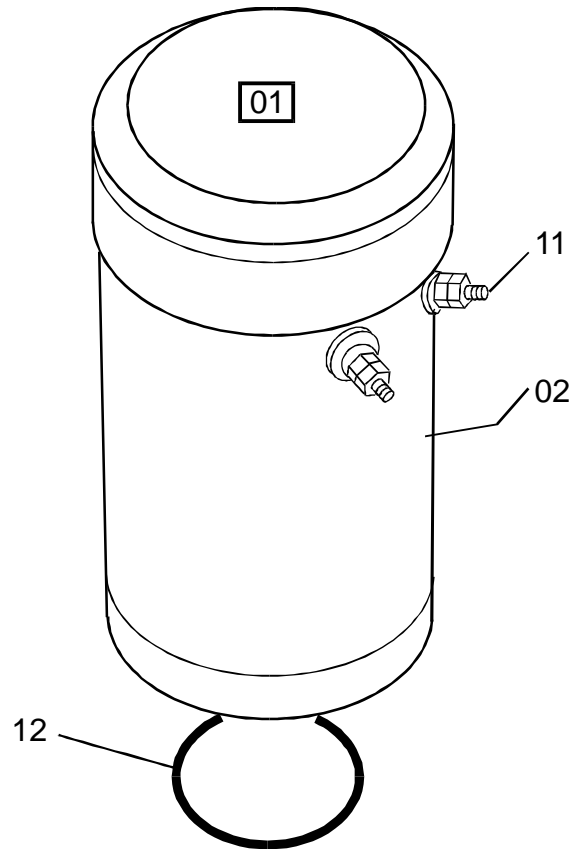
## 5460-013 Transistor panel

Kraftelektronik transistor; Transistor paneel; Panneau transistor

[1997-10-15]

Pos	Description	Pcs	Part No	Note
01	Transistor controller Transistorregulator; Transistorregulator; Regulateur des transistors	1	137197-006	Only for trucks in CE-design; Endast för maskiner enligt CE- utförande; Nur für Stapler in CE-aus- führung; Seulement du chariot version CE

5810-003

**5810-003 Pump motor**

Pumpmotor; Pumpenmotor; Moteur de pompe

[1997-04-15]

Pos	Description	Pcs	Part No	Note
			353 PPS 1200MXS	270001 -
01	Motor Motor; Motor; Moteur	1	27589	
02	Carbon brush set Kolsats; Kohlenbürstesats; Jeux de charbon	1	27591	
11	Outlet bolt Uttagsbult; Anzapfbolzen; Borne	2	135919	
12	O-ring O-ring; O-ring; Joint torique	1	27585	

## Quality Parts

7120-016

Pos	Description	Pcs	Part No	Note
17	Washer(2 mm) Bricka; Scheibe; Rondelle	2	121334-003	
18	Chain wheel Kedjehjul; Kettenrad; Roue de chaine	1	146224	
19	Bracket Fäste; Halterung; Support	1	146207	
20	Screw Skruv; Schraube; Vis	2	28590	
21	Bracket Fäste; Halterung; Support	1	151226	
22	Screw Skruv; Schraube; Vis	2	28590	
23	Roller(Complete) Rulle(Komplett); Rolle(Komplett); Roleau(Comple)	1	10604	
24	Roller Rulle; Rolle; Roleau	1	33399	
25	Locking ring Spårring; Schliessring; Circlip	1	20009	
26	Ball bearing Kullager; Kugellager; Roulement a billes	1	20643	
27	Washer Bricka; Scheibe; Rondelle	1	22707	
28	Guide Styrning; Steuerung; Guidage	1	133266	
29	Sealing ring Tätningring; Dichtungsring; Bague d'étanchéité	1	20645	
30	Locking ring Spårring; Schliessring; Circlip	1	20008	
31	Bracket Fäste; Halterung; Support	1	146218	
32	Nut Mutter; Mutter; Erou	4	20528	
33	Nut Mutter; Mutter; Erou	4	20006	
34	Cotter pin Saxpinne; Gespalter stift; Goupille fendue	4	20312	
35	Chain complete Kedja komplett; Ketten komplett ; Chaine complete	2	144716-001	L = 1048 mm
35	Chain complete Kedja komplett; Ketten komplett ; Chaine complete	2	144716-002	L = 1200 mm
35	Chain complete Kedja komplett; Ketten komplett ; Chaine complete	2	144716-003	L = 1276 mm
35	Chain complete Kedja komplett; Ketten komplett ; Chaine complete	1	144716-007	L = 1086 mm
36	Chain bolt Kedjebult; Kettenbolzen; Tourillon de chaine	2	105381	
37	Cotter pin Saxpinne; Gespalter stift; Goupille fendue	8	21445	
38	Washer Bricka; Scheibe; Rondelle	8	20404	
39	Nut Mutter; Mutter; Erou	2	20528	
40	Nut Mutter; Mutter; Erou	2	20006	
41	Cotter pin Saxpinne; Gespalter stift; Goupille fendue	2	20312	
42	Chain bolt Kedjebult; Kettenbolzen; Tourillon de chaine	4	105814	
43	Chain bolt Kedjebult; Kettenbolzen; Tourillon de chaine	2	144713	
44	Chain(Meter) Kedja(Meter); Ketten(Meter); Chaine(Metre)		27295	

**9400-018 Extra electrical equipment**

[1998-11-13]

Extra elektrisk utrustning; Zusatzausrüstung Elektroanlage; Equipement electr. supplementaire

TL1; TL1; TL1; TL1		353 PPS 1200MXS		329900 -
Pos	Description	Pcs	Part No	Note
11	Logic box Logikbox; Steuerbox; Boite de logique	1	159922	
12	Conduit entry Kabelgenomföring; Kabeldurchgang; Traversée de câble	1	24941	
13	Screw Skruv; Schraube; Vis	1	20400	
14	Plate Plåt; Platte; Plaque	1	165637	
15	Screw Skruv; Schraube; Vis	1	29978	
16	Screw Skruv; Schraube; Vis	2	20351	
17	Screw Skruv; Schraube; Vis	4	24354	
18	Nut Mutter; Mutter; Ecrou	2	20249	
19	Relay Relä; Relais; Relais	1	155009	
20	Washer Bricka; Scheibe; Rondelle	2	20404	
21	Nut Mutter; Mutter; Ecrou	2	20081	
22	Wiring harness Kablage; Kabelsatz; Câblage	1	165717	
23	Cover Huv; Haube; Capot	1	165638	
24	Cap Lock; Deckel; Couvercle	1	166268	

CLICK HERE TO **DOWNLOAD** THE COMPLETE MANUAL

- Thank you very much for reading the preview of the manual.
- You can download the complete manual from: [www.heydownloads.com](http://www.heydownloads.com) by clicking the link below



- Please note: If there is no response to CLICKING the link, please download this PDF first and then click on it.

CLICK HERE TO **DOWNLOAD** THE COMPLETE MANUAL