

Quality Parts

PPS 1200 MXS

Valid for machine number.....	319481AA-
Only valid for machine number.....	<input type="checkbox"/> <input type="checkbox"/> <input type="checkbox"/> <input type="checkbox"/> <input type="checkbox"/> <input type="checkbox"/> <input type="checkbox"/> <input type="checkbox"/>
Ordering number.....	163529
Date	1998-05-18 / BDJ
Language.....	GB; SE; DE; FR

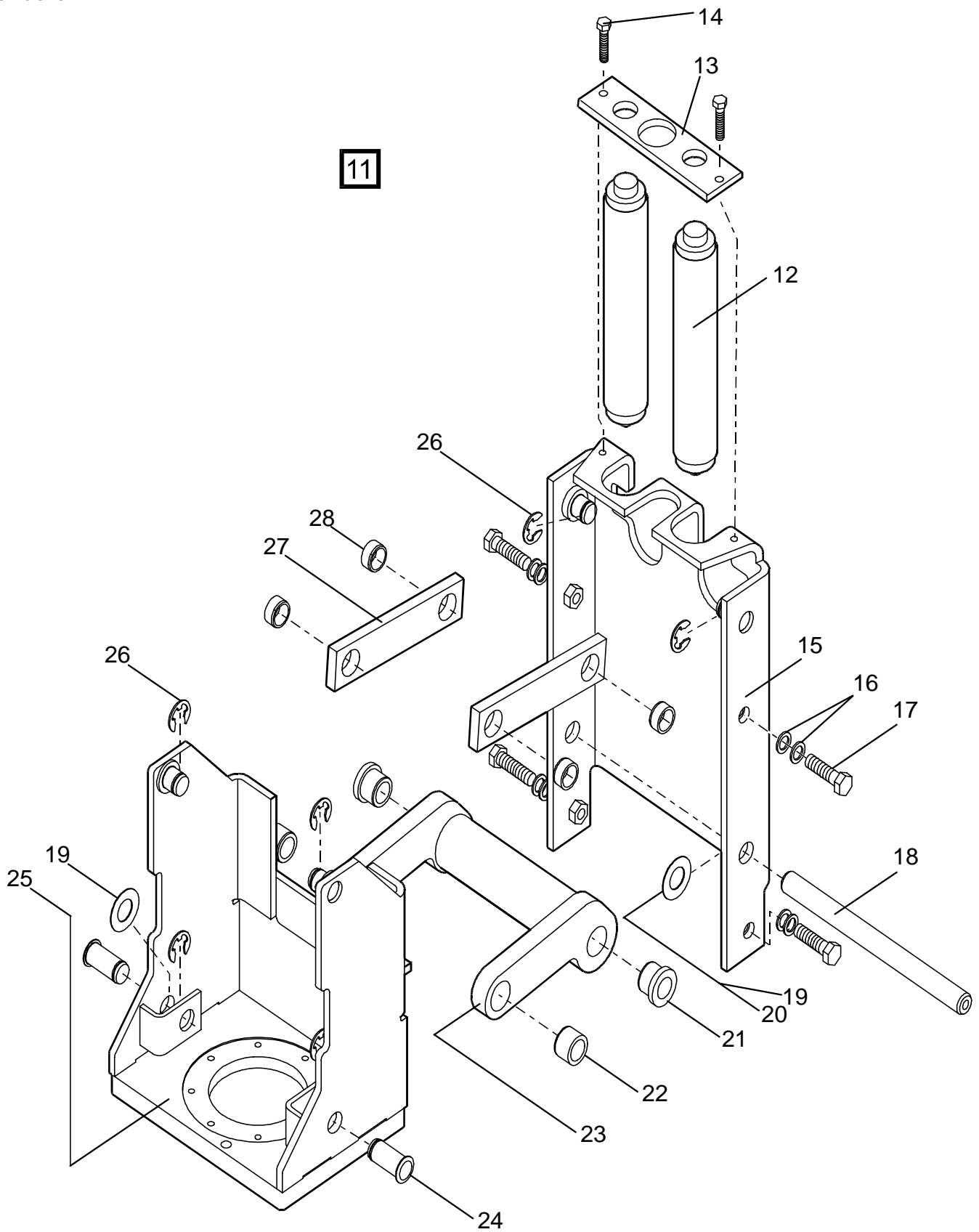
CLICK HERE TO **DOWNLOAD** THE COMPLETE MANUAL

- Thank you very much for reading the preview of the manual.
- You can download the complete manual from: www.heydownloads.com by clicking the link below



- Please note: If there is no response to CLICKING the link, please download this PDF first and then click on it.

CLICK HERE TO **DOWNLOAD** THE COMPLETE MANUAL



1700-025 Electrical drive motor

[1998-04-24]

Elektrisk drivmotor; Elektrofahrmotor; Moteur electrique

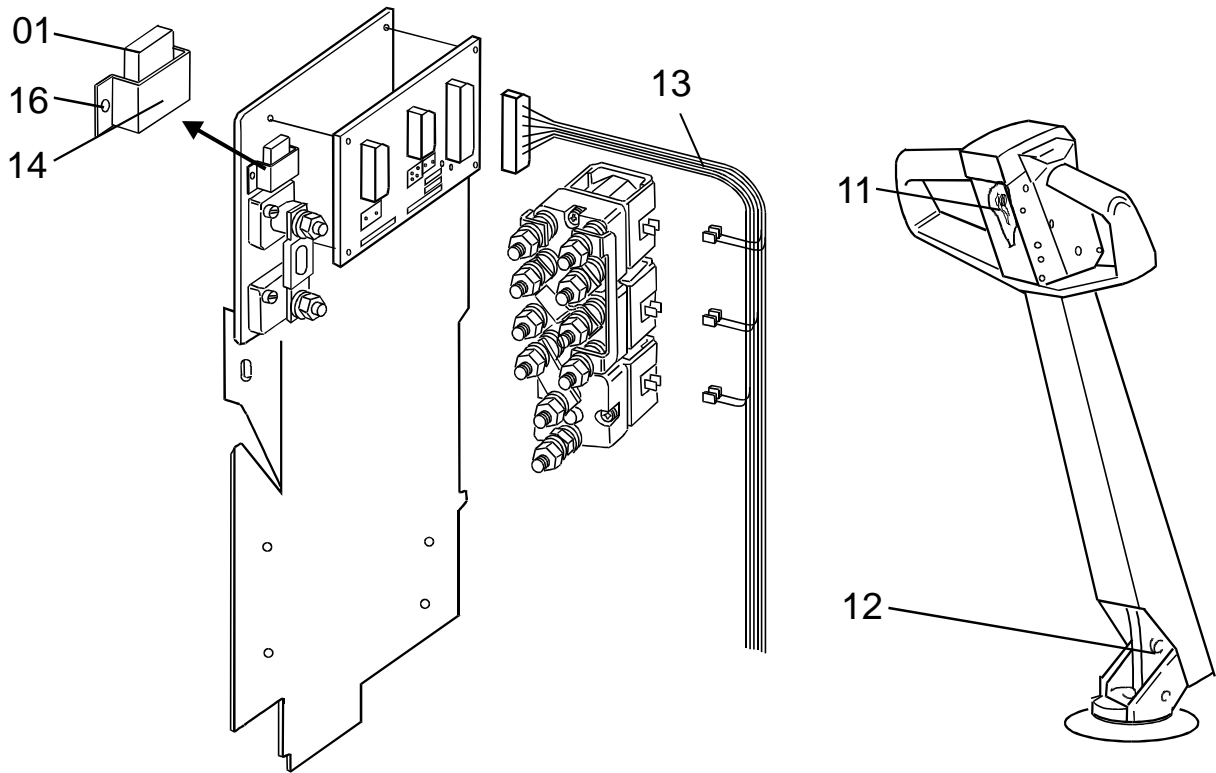
			353 PPS 1200MXS	319481 -
Pos	Description	Pcs	Part No	Note
01	Motor(Complete) Motor(Komplett); Motor(Komplett); Moteur(Complet)	1	165509	
02	Carbon brush Kolborste; Kohlebürste; Charbon	4	135858	
03	Brush bridge Borstbrygga; Bürstenbrücke; Support de porte balais	1	135853	
09	Rotor Rotor; Rotor; Rotor	1	139178	
10	Stator Stator; Ständer; Stator	1	139177	
11	End shield Lagersköld; Lagerschild; Bouclier	1	135852	
12	Screw Skruv; Schraube; Vis	14	20224	
13	Washer Bricka; Scheibe; Rondelle	14	21351	
14	Locking ring Spårring; Schliessring; Circlip	1	27542	
15	Bearing Lager; Lager; Roulement	1	28560	
16	Locking ring Spårring; Schliessring; Circlip	1	22122	
17	Spring Fjäder; Feder; Ressort	4	149423	
18	Cable Kabel; Kabel; Câble	2	27899	
19	Key Kil; Keil; Clavette	1	27900	
20	Locking ring Spårring; Schliessring; Circlip	1	20923	
21	Locking ring Spårring; Schliessring; Circlip	1	29515	
22	Washer Bricka; Scheibe; Rondelle	1	29516	
23	Washer Bricka; Scheibe; Rondelle	1	29517	
24	Ball bearing Kullager; Kugellager; Roulement a billes	1	26102	
25	End shield Lagersköld; Lagerschild; Bouclier	1	139172	
26	Sealing Tätning; Dichtung; Joint	1	27898	
27	Plug Propp; Pfropfen; Bouchon	4	148206	
28	Isolation bush Isolerbussning; Isolierbuchse; Bague isolation	4	27551	
29	Nut Mutter; Mutter; Ecrou	2	21110	
30	Washer Bricka; Scheibe; Rondelle	2	21275	
31	Nut Mutter; Mutter; Ecrou	2	20081	

4110-061

Quality Parts

Pos	Description	Pcs	Part No	Note
37	Arm Arm; Arm; Bras	1	147032	
38	Screw Skruv; Schraube; Vis	14	20867	
39	Screw Skruv; Schraube; Vis	2	20021	
40	Plate Plåt; Platte; Plaque	1	153669	

5390-021



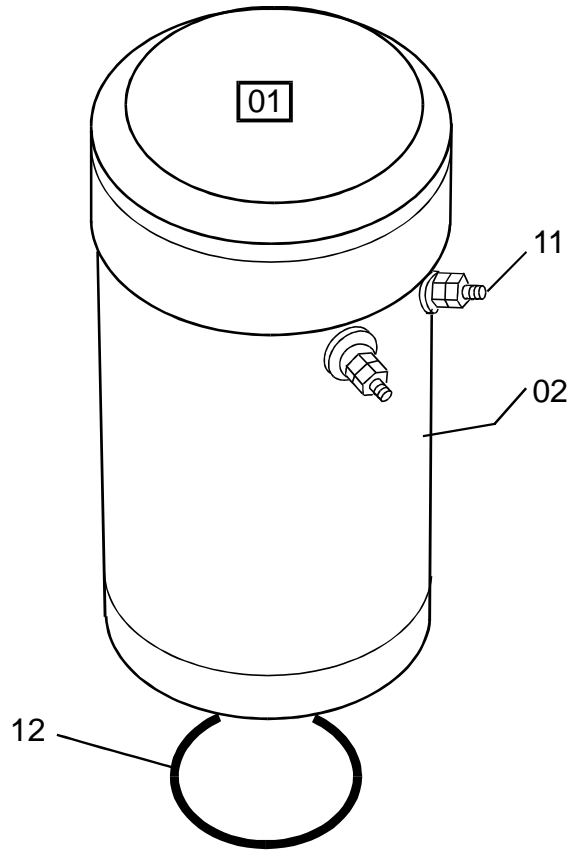
5390-021 Control cables / harnesses

[1996-08-20]

Manöverkablage; Steuerstromkabel / verkabelung; Câblage de commande

Pos	Description	Pcs	Part No	Note
01	Fuse(7,5A) Säkring; Sicherung; Fusible	1	122308-075	
11	Wiring harness Kablage; Kabelsatz; Câblage	1	147820	
12	Wiring harness Kablage; Kabelsatz; Câblage	1	158040	
13	Wiring harness Kablage; Kabelsatz; Câblage	1	148192	
14	Bracket Fäste; Halterung; Support	1	134065	
16	Bracket Fäste; Halterung; Support	1	135422	

5810-003



5810-003 Pump motor

Pumpmotor; Pumpenmotor; Moteur de pompe

[1997-04-15]

			353 PPS 1200MXS	270001 -
Pos	Description	Pcs	Part No	Note
01	Motor Motor; Motor; Moteur	1	27589	
02	Carbon brush set Kolsats; Kohlenbürstesats; Jeux de charbon	1	27591	
11	Outlet bolt Uttagsbult; Anzapfbolzen; Borne	2	135919	
12	O-ring O-ring; O-ring; Joint torique	1	27585	

Quality Parts

7120-016

Pos	Description	Pcs	Part No	Note
17	Washer(2 mm) Bricka; Scheibe; Rondelle	2	121334-003	
18	Chain wheel Kedjehjul; Kettenrad; Roue de chaine	1	146224	
19	Bracket Fäste; Halterung; Support	1	146207	
20	Screw Skruv; Schraube; Vis	2	28590	
21	Bracket Fäste; Halterung; Support	1	151226	
22	Screw Skruv; Schraube; Vis	2	28590	
23	Roller(Complete) Rulle(Komplett); Rolle(Komplett); Roleau(Comple)	1	10604	
24	Roller Rulle; Rolle; Roleau	1	33399	
25	Locking ring Spårring; Schliessring; Circlip	1	20009	
26	Ball bearing Kullager; Kugellager; Roulement a billes	1	20643	
27	Washer Bricka; Scheibe; Rondelle	1	22707	
28	Guide Styrning; Steuerung; Guidage	1	133266	
29	Sealing ring Tätningring; Dichtungsring; Bague d'étanchéité	1	20645	
30	Locking ring Spårring; Schliessring; Circlip	1	20008	
31	Bracket Fäste; Halterung; Support	1	146218	
32	Nut Mutter; Mutter; Ecrou	4	20528	
33	Nut Mutter; Mutter; Ecrou	4	20006	
34	Cotter pin Saxpinne; Gespalter stift; Goupille fendue	4	20312	
35	Chain complete Kedja komplett; Ketten komplett ; Chaine complete	2	144716-001	L = 1048 mm
35	Chain complete Kedja komplett; Ketten komplett ; Chaine complete	2	144716-002	L = 1200 mm
35	Chain complete Kedja komplett; Ketten komplett ; Chaine complete	2	144716-003	L = 1276 mm
35	Chain complete Kedja komplett; Ketten komplett ; Chaine complete	1	144716-007	L = 1086 mm
36	Chain bolt Kedjebult; Kettenbolzen; Tourillon de chaine	2	105381	
37	Cotter pin Saxpinne; Gespalter stift; Goupille fendue	8	21445	
38	Washer Bricka; Scheibe; Rondelle	8	20404	
39	Nut Mutter; Mutter; Ecrou	2	20528	
40	Nut Mutter; Mutter; Ecrou	2	20006	
41	Cotter pin Saxpinne; Gespalter stift; Goupille fendue	2	20312	
42	Chain bolt Kedjebult; Kettenbolzen; Tourillon de chaine	4	105814	
43	Chain bolt Kedjebult; Kettenbolzen; Tourillon de chaine	2	144713	
44	Chain(Meter) Kedja(Meter); Ketten(Meter); Chaine(Metre)		27295	

CLICK HERE TO **DOWNLOAD** THE COMPLETE MANUAL

- Thank you very much for reading the preview of the manual.
- You can download the complete manual from: www.heydownloads.com by clicking the link below



- Please note: If there is no response to CLICKING the link, please download this PDF first and then click on it.

CLICK HERE TO **DOWNLOAD** THE COMPLETE MANUAL