

Quality Parts

PPS 1000 MX / PPS 1200 MX

Valid for machine number.....	329900AA-
Only valid for machine number.....	<input type="text"/> <input type="text"/> <input type="text"/> <input type="text"/> <input type="text"/> <input type="text"/> <input type="text"/>
Ordering number.....	166907
Date	1998-11-25 / ESDJ
Language.....	GB; SE; DE; FR

CLICK HERE TO **DOWNLOAD** THE COMPLETE MANUAL

- Thank you very much for reading the preview of the manual.
- You can download the complete manual from: www.heydownloads.com by clicking the link below



- Please note: If there is no response to CLICKING the link, please download this PDF first and then click on it.

CLICK HERE TO **DOWNLOAD** THE COMPLETE MANUAL

0340-013 Inspection covers

[1997-11-14]

Huvar/luckor; Hauben/Tueren; Couvertcles

Pos	Description	Pcs	Part No	Note
			351 PPS 1000MX 352 PPS 1200MX	270001 - 270001 -
11	Lock cpl. Låsvred kompl.; Loch; Serrure	2	134518	
12	Spring Fjäder; Feder; Ressort	4	134385	
13	Cotter pin Saxpinne; Gespalter stift; Goupille fendue	2	21441	
14	Clip nut Låsclips; Schlitzmutter; Tôle de ecrou	2	28979	
15	Cover(Orange) Huv; Haube; Capot	1	134513-030	
16	Cover(Orange) Huv; Haube; Capot	1	134512-030	
17	Cover. Lucka; Deckel; Couvertcle	1	144887	
18	Screw Skruv; Schraube; Vis	2	20021	
19	Nut Mutter; Mutter; Ecrou	2	21094	
20	Screw Skruv; Schraube; Vis	2	24546	
21	Distance piece Distans; Distanz; Distance	2	147426	
22	Washer Bricka; Scheibe; Rondelle	2	20404	
23	Nut Mutter; Mutter; Ecrou	2	28930	

0850-053 Signs, warnings

[1998-11-20]

Skyltar, varningar; Schilder, Warnzeichen; Vignette, avertissement

			351 PPS 1000MX 352 PPS 1200MX	309700 - 309700 -
Pos	Description	Pcs	Part No	Note
11	Sign Skylt; Schild; Vignette	1	148224	
12	Sign Skylt; Schild; Vignette	1	148223	
13	Sign Skylt; Schild; Vignette	1	148227	
14	Sign Skylt; Schild; Vignette	1	148225	
15	Sign Skylt; Schild; Vignette	1	72082	
16	Sign Skylt; Schild; Vignette	1	161564	
17	Sign(" BT ") Skylt; Schild; Vignette	1	151847	
19	Sign Skylt; Schild; Vignette	1	152027	
20	Sign(" MAXI ") Skylt; Schild; Vignette	1	151856	
21	Sign Skylt; Schild; Vignette	2	147316	
22	Sign Skylt; Schild; Vignette	1	121787-002	
23	Sign Skylt; Schild; Vignette	1	121786-002	
24	Sign Skylt; Schild; Vignette	1	148226	

CLICK HERE TO **DOWNLOAD** THE COMPLETE MANUAL

- Thank you very much for reading the preview of the manual.
- You can download the complete manual from: www.heydownloads.com by clicking the link below



- Please note: If there is no response to CLICKING the link, please download this PDF first and then click on it.

CLICK HERE TO **DOWNLOAD** THE COMPLETE MANUAL

4110-104 Steering arm / wheel / lever

[1998-11-20]

Manöverreglage arm/ratt/spak; Steuerarm, Lenkrad / Hebel; Bras / roue / levier de Direction

Without driver platform; Utan förarplattform; Ohne Fahrerplattform; Sans plate forme du conducteur		351 PPS 1000MX 352 PPS 1200MX	329900 - 329900 -	
Pos	Description	Pcs	Part No	Note
01	Steering arm compl.(Transistor) Styrmarm kompl.; Deichsel kompl.; Timon compl.	1	166290	Extra lifting / sinking Extra lyft / sänkning; Extra hebe / senkung; Extralevage / d'epression
01	Steering arm compl.(Transistor) Styrmarm kompl.; Deichsel kompl.; Timon compl.	1	166291	Lifting / sinking Lyft / sänkning; Hebe / senkung; Levage / d'epression
01	Steering arm compl.(Transistor) Styrmarm kompl.; Deichsel kompl.; Timon compl.	1	166524	Lift Lyft; Hebe; Levage
01	Steering arm compl.(Transistor) Styrmarm kompl.; Deichsel kompl.; Timon compl.	1	166525	Extra lifting Extra lyft; Extra hebe; Extralevage
11	Cap Lock; Deckel; Couvercle	1	142251	Lift Lyft; Hebe; Levage
11	Cap Lock; Deckel; Couvercle	1	142251	Lifting / sinking Lyft / sänkning; Hebe / senkung; Levage / d'epression
11	Cap Lock; Deckel; Couvercle	1	151432	Extra lifting Extra lyft; Extra hebe; Extralevage
11	Cap Lock; Deckel; Couvercle	1	151432	Extra lifting Extra lyft; Extra hebe; Extralevage
12	Screw Skruv; Schraube; Vis	4	28545	
13	Screw Skruv; Schraube; Vis	2	24470	
14	Operating arm housing Manöverarmshus; Steuerarm Gehäuse; Boîtier de timon commande	1	141950	
15	Handle Handtag; Handgriff; Poignée.	1	141846	
16	Screw Skruv; Schraube; Vis	2	20276	
17	Cap Lock; Deckel; Couvercle	1	142250	
18	Washer Bricka; Scheibe; Rondelle	2	20404	
19	Nut Mutter; Mutter; Ecrou	2	20016	
20	Nut Mutter; Mutter; Ecrou	2	21110	
21	Bracket Fäste; Halterung; Support	1	164601	
22	Plate Plåt; Platte; Plaque	1	134476	
23	Washer Bricka; Scheibe; Rondelle	2	21307	
24	Screw Skruv; Schraube; Vis	2	22059	
25	Cap Lock; Deckel; Couvercle	1	167516	
26	Axle Axel; Achse; Axe	1	134494	
27	Locking pin Spännstift; Spannstift; Goupille	1	20189	
28	Gas suspension Gasfjäder; Gasfederung; Suspension à gaz	1	153960-066	
29	Bush Bussning; Bague; Bague	2	140177	
30	Protection Skydd; Schutz; Protègee	1	165076	
31	Yoke Ok; Joch; Manchon	1	166783	
32	Washer Bricka; Scheibe; Rondelle	4	126723-003	

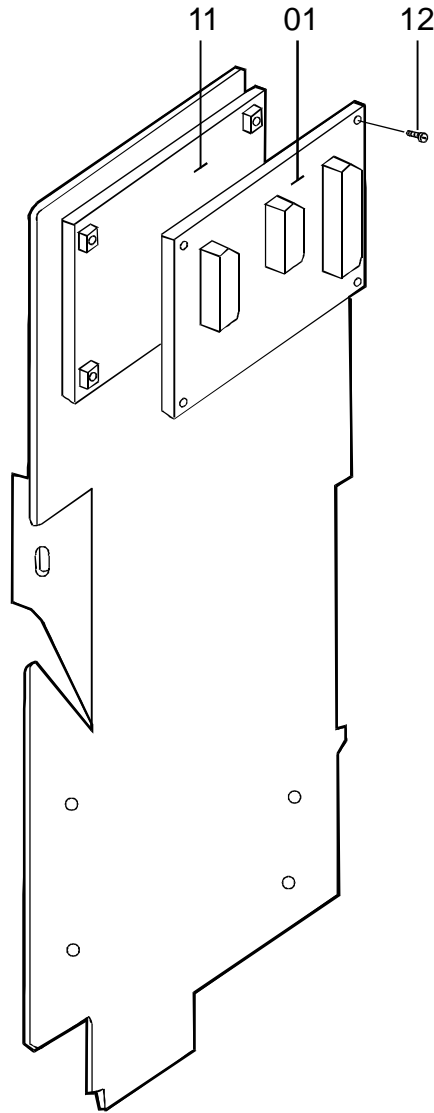
5390-092 Control cables / harnesses

[1998-11-17]

Manöverkablage; Steuerstromkabel / verkabelung; Câblage de commande

Only for trucks in ASME-design; Endast maskiner enligt ASME-utförande; Nur für Stapler in ASME-ausführung; Seulement du chariot version ASME		351 PPS 1000MX 352 PPS 1200MX	329900 - 329900 -	
Pos	Description	Pcs	Part No	Note
11	Wiring harness(L = 900 mm) Kablage; Kabelsatz; Câblage	1	167730-001	
11	Wiring harness(L = 1515 mm) Kablage; Kabelsatz; Câblage	1	167730-002	
11	Wiring harness(L = 2235 mm) Kablage; Kabelsatz; Câblage	1	167730-003	
12	Screw Skruv; Schraube; Vis	2	29834	
13	Screw Skruv; Schraube; Vis	1	28344	
14	Washer Bricka; Scheibe; Rondelle	2	20348	
15	Nut Mutter; Mutter; Ecrou	1	20130	
16	Bracket Fäste; Halterung; Support	1	167911	
17	Relay Relä; Relais; Relais	2	22232	

5710-003



5710-003 PCBs logic card / box

[1996-08-20]

Styrkort (åkning); Steuerkarte (Fahren); Boite / carte de logique

Pos	Description	Pcs	Part No	Note
			351 PPS 1000MX 352 PPS 1200MX	270001 - 270001 -
01	Logic box Logikbox; Steuerbox; Boite de logique	1	136833-002	
11	Insulation plate Isolerplatta; Isolerplatte; Plaque isolation	1	74615	
12	Screw Skruv; Schraube; Vis	4	27500	

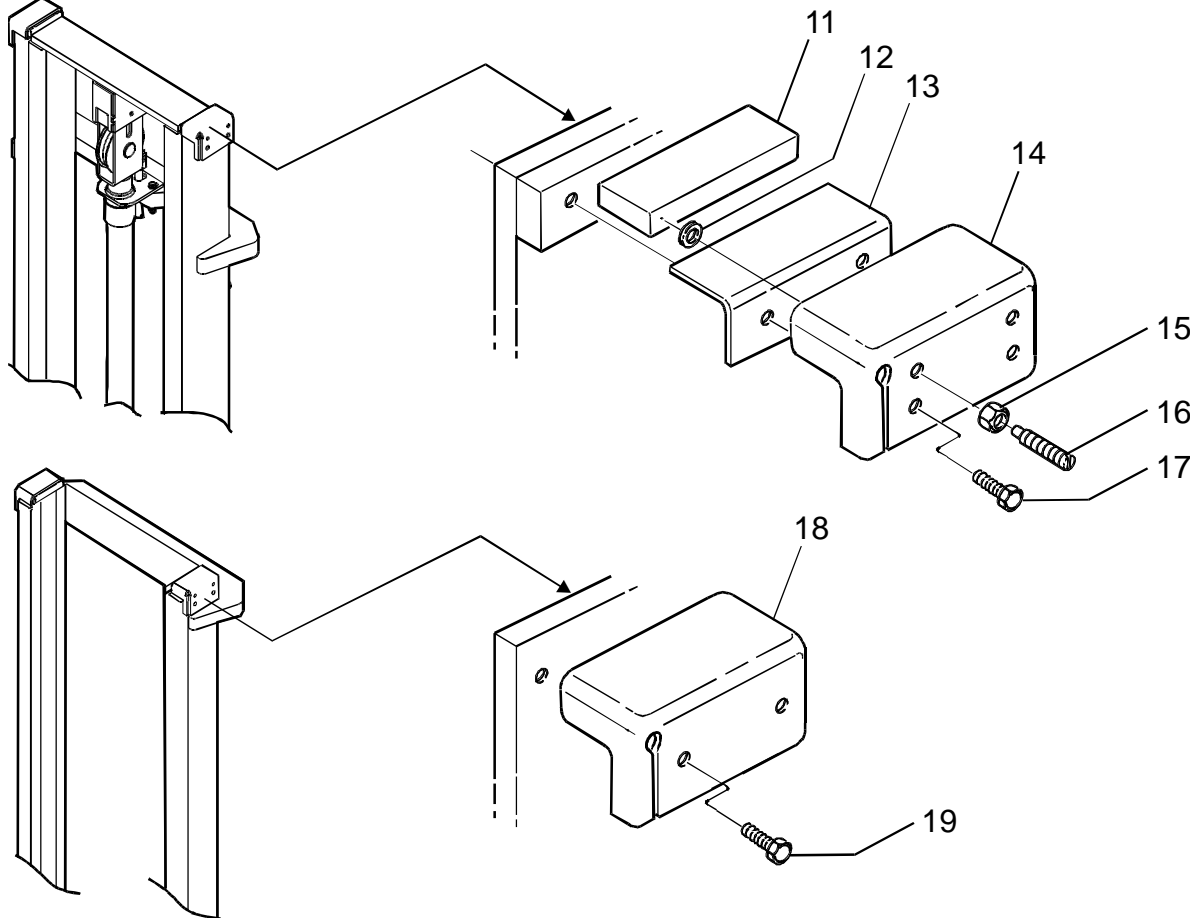
6100-032 Hydraulic unit

[1997-11-13]

Hydraulikaggregat; Hydraulikaggregat; Unite hydraulique

Electric lifting / sinking; Elektrisk lyft / sänkning; Elektrische hebe / senkung; Levage / dépression de électrique		352 PPS 1200MX	329900 -	
Pos	Description	Pcs	Part No	Note
01	Pump unit compl. Pumpenhet kompl.; Pumpeinheit kompl.; Unite de pompe compl.	1	147673	
11	Non return valve Backventil; Rückschlagklappe; Clapet de retenue	1	143374	
12	Tank Tank; Behälter; Reservoir	1	147435	
13	Cap Lock; Deckel; Couvercle	1	143380	
14	Filter Filter; Filter; Filtre	1	143382	
15	Valve Ventil; Ventil; Soupape	1	143373	
16	Restriction valve Sänkbromsventil; Drosselventil; Soupape de reduction	1	148272	
17	Valve Ventil; Ventil; Soupape	1	148271	
18	Packing set Packningssats; Packungssatz; Jeux d' étanchéité.	1	148312	
19	Valve(Magnet) Ventil(Magnet); Ventil(Magnet); Soupape(Magnétique)	1	143371	
20	Coil Spole; Spule; Bobine	1	143372	
23	Clamp Klamma; Rohrschelle; Collier	1	143381	
24	Bracket Fäste; Halterung; Support	2	150455	
25	Bracket Fäste; Halterung; Support	2	150456	
26	Screw Skruv; Schraube; Vis	2	20154	
27	Pump Pump; Pump; Pumpe	1	129666	
28	Filter Filter; Filter; Filtre	1	152716	
29	Filter Filter; Filter; Filtre	1	143382	
30	Filler tube Påfyllningsrör; Füllstutzen; Tuyau de remplissage	1	162146	Lift height = > 3700 mm Lyfthöjd = > 3700 mm; Hubhöhe = > 3700 mm; De élévation = > 3700 mm

7150-002



7150-002 Mast guidance / dampers

[1996-08-22]

Stativstyrning-/dämpning; Stativ - Führungen / Dämpfer; Guidage de mat

Pos	Description	Pcs	Part No	Note
			351 PPS 1000MX 352 PPS 1200MX	270001 - 270001 -
11	Plug Plugg; Pfropf; Bouchon	2	144720	
12	Washer Bricka; Scheibe; Rondelle	2	144721	
13	Slide plate Glidplatta; Gleitplatte; Plaque de incline	2	148763	
14	Plate Plåt; Platte; Plaque	2	148762	
15	Nut Mutter; Mutter; Ecrou	4	21110	
16	Stop screw Stoppskruv; Einstellschraube; Vis de arretoire	4	26829	
17	Screw Skruv; Schraube; Vis	4	28590	
18	Plate Plåt; Platte; Plaque	2	148761	Simplex
19	Screw Skruv; Schraube; Vis	4	28590	Simplex

Quality Parts

7420-012

Pos	Description	Pcs	Part No	Note
15	Locking ring Spårring; Schliessring; Circlip	4	20009	
16	Locking ring Spårring; Schliessring; Circlip	4	20008	
17	Guide Styrning; Steuerung; Guidage	4	133266	
18	Washer Bricka; Scheibe; Rondelle	4	22707	
19	Sealing ring Tätningring; Dichtungsring; Bague d'étanchéité	4	20645	

CLICK HERE TO **DOWNLOAD** THE COMPLETE MANUAL

- Thank you very much for reading the preview of the manual.
- You can download the complete manual from: www.heydownloads.com by clicking the link below



- Please note: If there is no response to CLICKING the link, please download this PDF first and then click on it.

CLICK HERE TO **DOWNLOAD** THE COMPLETE MANUAL