

Quality Parts

PPO 1500MX

Valid for machine number.....	345093AA-
Only valid for machine number.....	<input type="text"/> <input type="text"/> <input type="text"/> <input type="text"/> <input type="text"/> <input type="text"/> <input type="text"/>
Ordering number.....	173790
Date	1999-09-10 / ESDJ
Language.....	GB; SE; DE; FR

CLICK HERE TO **DOWNLOAD** THE COMPLETE MANUAL

- Thank you very much for reading the preview of the manual.
- You can download the complete manual from: www.heydownloads.com by clicking the link below



- Please note: If there is no response to CLICKING the link, please download this PDF first and then click on it.

CLICK HERE TO **DOWNLOAD** THE COMPLETE MANUAL

0380-051 Fork frame (low lifters)

[1998-03-31]

Gaffelstomme (låglyftare); Gabelchassis (Niederhubwagen); Châssis (transpalettes)

			203 PPO 1500 MX	316740 -
Pos	Description	Pcs	Part No	Note
04	Torsion tube compl(b5=450 mm) Vridrör kompl; Drehrohr Kompl; Levier de tringle compl	1	150918-001	
04	Torsion tube compl(b5=520 mm) Vridrör kompl; Drehrohr Kompl; Levier de tringle compl	1	150918-002	
04	Torsion tube compl(b5=550 mm) Vridrör kompl; Drehrohr Kompl; Levier de tringle compl	1	150918-003	
04	Torsion tube compl(b5=570 mm) Vridrör kompl; Drehrohr Kompl; Levier de tringle compl	1	150918-004	
04	Torsion tube compl(b5=685 mm) Vridrör kompl; Drehrohr Kompl; Levier de tringle compl	1	150918-005	
04	Torsion tube compl(b5=400 mm) Vridrör kompl; Drehrohr Kompl; Levier de tringle compl	1	150918-006	
04	Torsion tube compl(b5=580 mm) Vridrör kompl; Drehrohr Kompl; Levier de tringle compl	1	150918-007	
11	Locking pin Spännstift; Spannstift; Goupille	2	20014	
12	Washer Bricka; Scheibe; Rondelle	4	20013	
13	Split pin Håmålssprint; Splint; Goupiller	2	28925	
14	Bush Bussning; Bague; Bague	4	140173	
15	Link Länk; Gelenk; Bras	2	109319	
16	Locking pin Spännstift; Spannstift; Goupille	2	27921	
17	Axle Axel; Achse; Axe	2	154109	
17	Axle(Stainless Steel) Axel(Rostfri); Achse(Nichtrostende); Axe(Inoxydable)	2	154110	
18	Bush Bussning; Bague; Bague	2	140168	
19	Bush Bussning; Bague; Bague	2	140168	
20	Bush Bussning; Bague; Bague	2	146933	
21	Axle Axel; Achse; Axe	1	146954	
21	Axle(Stainless Steel) Axel(Rostfri); Achse(Nichtrostende); Axe(Inoxydable)	1	146986	
22	Screw Skruv; Schraube; Vis	1	29768	
23	Screw Skruv; Schraube; Vis	2	29522	
24	Axle Axel; Achse; Axe	2	134521	
25	Bush Bussning; Bague; Bague	2	140173	
26	Axle Axel; Achse; Axe	2	134446	
26	Axle(Stainless Steel) Axel(Rostfri); Achse(Nichtrostende); Axe(Inoxydable)	2	136859	
27	Cotter pin Saxpinne; Gespalter stift; Goupille fendue	2	20313	

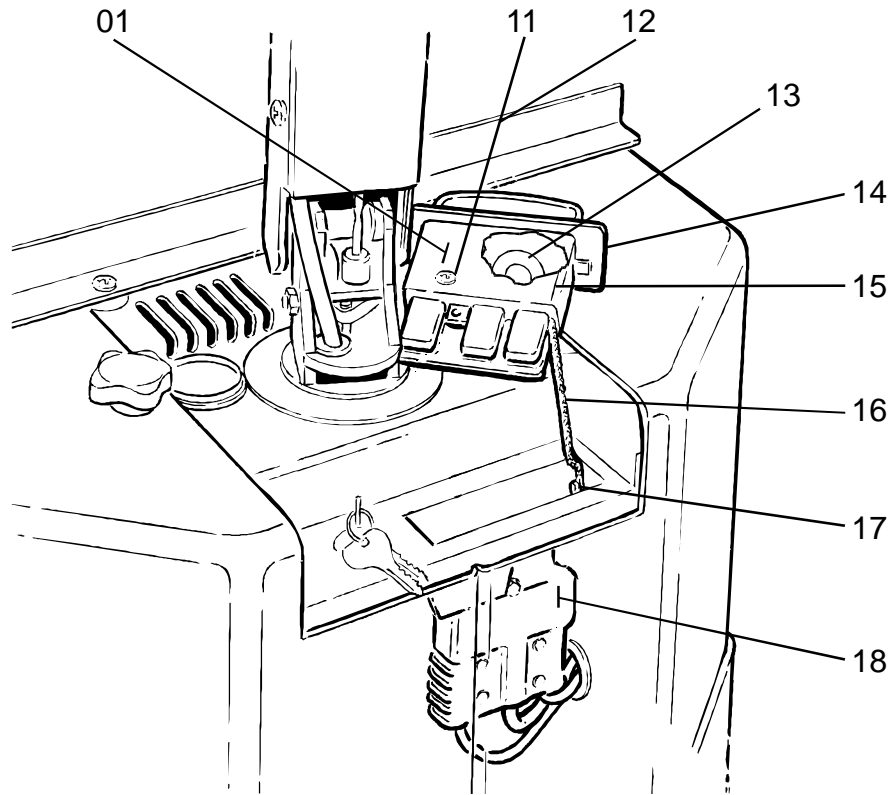
1700-027 Electric drive motor

[1998-11-19]

Elektrisk åkmotor; Elektro-Fahrmotor; Moteur de traction électrique

			203 PPO 1500 MX	329900 -
Pos	Description	Pcs	Part No	Note
01	Motor(Complete) Motor(Komplett); Motor(Komplett); Moteur(Complet)	1	167201	
02	Carbon brush Kolborste; Kohlebürste; Charbon	4	135858	
03	Brush bridge Borstbrygga; Bürstenbrücke; Support de porte balais	1	135853	
09	Rotor Rotor; Rotor; Rotor	1	139178	
10	Stator Stator; Ständer; Stator	1	169554	
11	End shield Lagersköld; Lagerschild; Bouclier	1	135852	
12	Screw Skruv; Schraube; Vis	14	20224	
13	Washer Bricka; Scheibe; Rondelle	14	21351	
14	Locking ring Spårring; Schliessring; Circlip	1	27542	
15	Bearing Lager; Lager; Roulement	1	28560	
16	Locking ring Spårring; Schliessring; Circlip	1	22122	
17	Spring Fjäder; Feder; Ressort	4	149423	
18	Cable Kabel; Kabel; Câble	2	27899	
19	Key Kil; Keil; Clavette	1	27900	
20	Locking ring Spårring; Schliessring; Circlip	1	20923	
21	Locking ring Spårring; Schliessring; Circlip	1	29515	
22	Washer Bricka; Scheibe; Rondelle	1	29516	
23	Washer Bricka; Scheibe; Rondelle	1	29517	
24	Ball bearing Kullager; Kugellager; Roulement a billes	1	26102	
25	End shield Lagersköld; Lagerschild; Bouclier	1	139172	
26	Sealing Tätning; Dichtung; Joint	1	27898	
27	Plug Propp; Pfropfen; Bouchon	4	148206	
28	Isolation bush Isolerbussning; Isolierbuchse; Bague isolation	4	27551	
29	Nut Mutter; Mutter; Ecrou	2	21110	
30	Washer Bricka; Scheibe; Rondelle	2	21275	
31	Nut Mutter; Mutter; Ecrou	2	20081	

5190-003



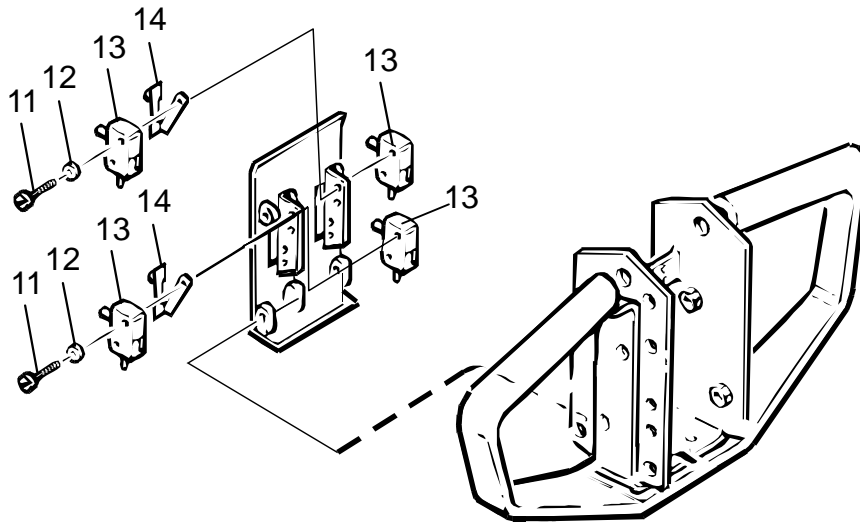
5190-003 Battery cut out connector/contacteur

[1996-11-19]

Batterifrånskiljare, huvudkontaktör; Batterietrennung, Hauptkontaktör; Coupe-circuit de batterie, contacteur

			203 PPO 1500 MX	247364 -
Pos	Description	Pcs	Part No	Note
01	Connector socket Kabelhandske; Leistungsverbinder; Connexion socle.	1	127486	
11	Screw Skruv; Schraube; Vis	2	26956	
12	Nut Mutter; Mutter; Ecrou	2	26957	
13	Cable Kabel; Kabel; Câble	1	127487	
14	Handle Handtag; Handgriff; Poignée.	1	127482	
15	Connector Handske; Stecker; Bloc de connexion	1	127483	
16	Wire Wire; Drahtseil; Filament	1	141141	
17	Cable clip Kabelsko; Anschlussklemme; Oeillet de cable	1	22389	
18	Connector Handske; Stecker; Bloc de connexion	1	127484	

5510-027



5510-027 Work function micro switches, potentiometers

[1997-10-28]

Arbetsfunktionsbrytare/-potentiometer; Schalter/Potentiometer Arbeitsfunktion; Rupteurs (switches)/
potentiomètres

Extra lifting / sinking; Extra lyft / sänkning; Extra hebe / senkung; Extralevage / d'epression		203 PPO 1500 MX		306955 -
Pos	Description	Pcs	Part No	Note
11	Screw Skruv; Schraube; Vis	8	23638	
12	Washer Bricka; Scheibe; Rondelle	8	21392	
13	Micro switch Mikrobrytare; Mikroschalter; Interrupteurs	4	156278	
14	Operating device Manöverdon; Steuerungsvorrichtung; Bras de commande	4	156919	

6100-041 Hydraulic unit

[1998-08-27]

Hydraulaggregat; Hydraulikaggregat; Unité hydraulique

			203 PPO 1500 MX	324214 -
Pos	Description	Pcs	Part No	Note
01	Pump unit compl. Pumpenhet kompl.; Pumpeinheit kompl.; Unite de pompe compl.	1	166074	
02	Packing set Packningssats; Packungssatz; Jeux d' étanchéité.	1	148312	
11	Cap Lock; Deckel; Couvercle	1	143380	
12	Filler tube(Complete) Påfyllningsrör(Komplett); Füllstutzen(Komplett); Tuyau de remplissage(Complett)	1	167327	
13	Pump Pump; Pump; Pumpe	1	129666	
14	Coil Spole; Spule; Bobine	1	143372	
15	Valve(Magnet) Ventil(Magnet); Ventil(Magnet); Soupape(Magnétique)	1	143371	
16	Valve Ventil; Ventil; Soupape	1	149572-009	
17	Pressure reducing valve Tryckbegränsningsventil; Druckreduzierventil; Soupape de réglage de pression	1	166076	
18	Tank Tank; Behälter; Reservoir	1	166075	
19	Filter Filter; Filter; Filtre	1	143382	
20	Clamp Klamma; Rohrschelle; Collier	1	143381	
21	Filter(Complete) Filter(Komplett); Filter(Komplett); Filtre(Complett)	1	167328	
22	Non return valve Backventil; Rückschlagklappe; Clapet de retenue	1	143374	
23	Screw Skruv; Schraube; Vis	2	20002	
24	Washer Bricka; Scheibe; Rondelle	4	21394	
25	Screw Skruv; Schraube; Vis	2	28308	
26	Nut Mutter; Mutter; Ecrou	2	20130	
27	Bracket Fäste; Halterung; Support	1	146793	

CLICK HERE TO **DOWNLOAD** THE COMPLETE MANUAL

- Thank you very much for reading the preview of the manual.
- You can download the complete manual from: www.heydownloads.com by clicking the link below



- Please note: If there is no response to CLICKING the link, please download this PDF first and then click on it.

CLICK HERE TO **DOWNLOAD** THE COMPLETE MANUAL