

## Quality Parts

PPL 2000MX

Valid for machine number..... 350497AA-

Only valid for machine number..... 

--	--	--	--	--	--	--	--	--

Ordering number ..... 174496

Date ..... 1999-11-25 / ESDJ

Language..... GB; SE; DE; FR

CLICK HERE TO **DOWNLOAD** THE COMPLETE MANUAL

- Thank you very much for reading the preview of the manual.
- You can download the complete manual from: [www.heydownloads.com](http://www.heydownloads.com) by clicking the link below



- Please note: If there is no response to CLICKING the link, please download this PDF first and then click on it.

CLICK HERE TO **DOWNLOAD** THE COMPLETE MANUAL

**0380-044 Fork frame (low lifters)**

[1997-11-21]

Gaffelstomme (låglyftare); Gabelchassis (Niederhubwagen); Châssis (transpalettes)

		454 PPL 2000 MX		305210 -	
Pos	Description	Pcs	Part No	Note	
04	Torsion tube compl(b5=450 mm) Vridrör kompl; Drehrohr Kompl; Levier de tringle compl	1	150918-001		
04	Torsion tube compl(b5=520 mm) Vridrör kompl; Drehrohr Kompl; Levier de tringle compl	1	150918-002		
04	Torsion tube compl(b5=550 mm) Vridrör kompl; Drehrohr Kompl; Levier de tringle compl	1	150918-003		
04	Torsion tube compl(b5=570 mm) Vridrör kompl; Drehrohr Kompl; Levier de tringle compl	1	150918-004		
04	Torsion tube compl(b5=685 mm) Vridrör kompl; Drehrohr Kompl; Levier de tringle compl	1	150918-005		
16	Locking pin Spännstift; Spannstift; Goupille	2	27921		
17	Axle Axel; Achse; Axe	2	154109		
17	Axle(Stainless Steel) Axel(Rostfri); Achse(Nichtrostende); Axe(Inoxydable)	2	154110		
18	Bush Bussning; Bague; Bague	2	140168		
19	Bush Bussning; Bague; Bague	2	140168		
20	Bush Bussning; Bague; Bague	2	146933		
21	Axle Axel; Achse; Axe	1	146954		
21	Axle(Stainless Steel) Axel(Rostfri); Achse(Nichtrostende); Axe(Inoxydable)	1	146986		
22	Screw Skruv; Schraube; Vis	1	29768		
23	Screw Skruv; Schraube; Vis	2	29522		
24	Axle Axel; Achse; Axe	2	134521		
25	Bush Bussning; Bague; Bague	2	140173		
26	Axle Axel; Achse; Axe	2	134446		
26	Axle(Stainless Steel) Axel(Rostfri); Achse(Nichtrostende); Axe(Inoxydable)	2	136859		
27	Cotter pin Saxpinne; Gespalter stift; Goupille fendue	2	20313		
28	Link Länk; Gelenk; Bras	1	156703		
29	Bush Bussning; Bague; Bague	4	140173		
30	Washer Bricka; Scheibe; Rondelle	2	20013		
31	Locking ring Spårring; Schliessring; Circlip	2	29793		
32	Axle Axel; Achse; Axe	2	76313-001		
33	Washer Bricka; Scheibe; Rondelle	4	20404		



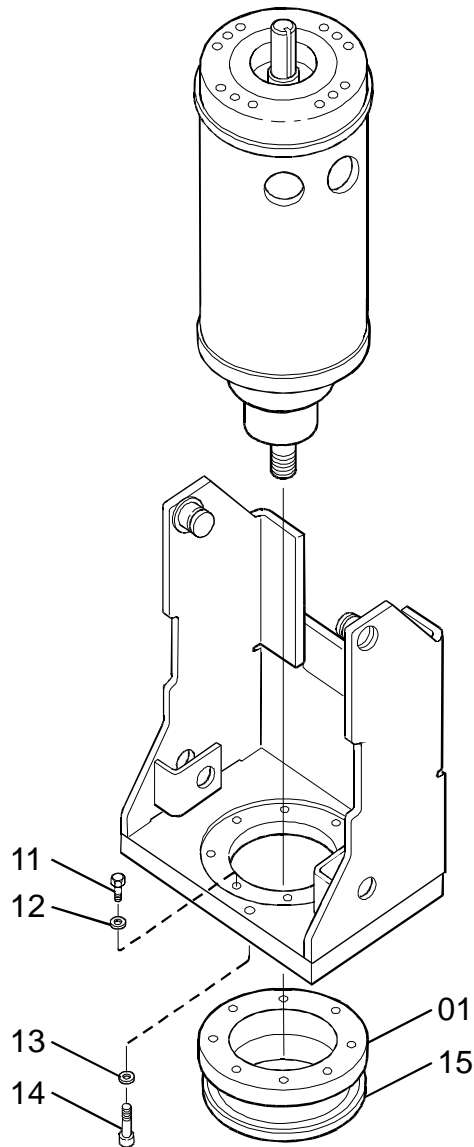
**3160-013 Parking brake drum/disc assembly**

[1997-11-22]

Parkeringsstrum-/skivbroms; Trommel-/Scheiben-Feststellbremse; Frein à tambour/disque (de stationnement)

		454 PPL 2000 MX		305210 -	
Pos	Description	Pcs	Part No	Note	
11	<b>Arm</b> Arm; Arm; Bras	1	137191		
12	<b>Nut</b> Mutter; Mutter; Erou	1	20016		
13	<b>Nut</b> Mutter; Mutter; Erou	1	20433		
14	<b>Nut</b> Mutter; Mutter; Erou	1	20396		
15	<b>Screw</b> Skruv; Schraube; Vis	4	20055		
16	<b>Washer</b> Bricka; Scheibe; Rondelle	8	20375		
17	<b>Spring</b> Fjäder; Feder; Ressort	4	29603		
18	<b>Pressure plate</b> Tryckplatta; Drückplättchen; Plaque de pression	1	138730		
19	<b>Nut</b> Mutter; Mutter; Erou	4	134482		
20	<b>Screw</b> Skruv; Schraube; Vis	1	163009		
21	<b>Rotor</b> Rotor; Rotor; Rotor	1	174967		
22	<b>Locking ring</b> Spärring; Schliessring; Circlip	1	20004		
23	<b>Washer</b> Bricka; Scheibe; Rondelle	1	20882		
24	<b>Hub</b> Nav; Nabe; Moyeu	1	174966		
25	<b>Plate</b> Plåt; Platte; Plaque	1	174968		
26	<b>Screw</b> Skruv; Schraube; Vis	2	23913		
27	<b>Nut</b> Mutter; Mutter; Erou	2	21110		
28	<b>Screw</b> Skruv; Schraube; Vis	1	20460		
29	<b>Roller</b> Rulle; Rolle; Roleau	1	21955		

4180-008

**4180-008 Steering bearings, radial bearing**

[1996-04-02]

Styrlagring/-krans ; Führungslagerung, Lenkkrans; Paliers de direction, paliers radials

Pos	Description	Pcs	Part No	Note
01	Ball bearing Kullager; Kugellager; Roulement a billes	1	110290	
11	Screw Skruv; Schraube; Vis	8	20532	
12	Washer Bricka; Scheibe; Rondelle	8	20375	
13	Washer Bricka; Scheibe; Rondelle	2	20228	
14	Screw Skruv; Schraube; Vis	2	20651	
15	Sealing Tätning; Dichtung; Joint	1	28070	

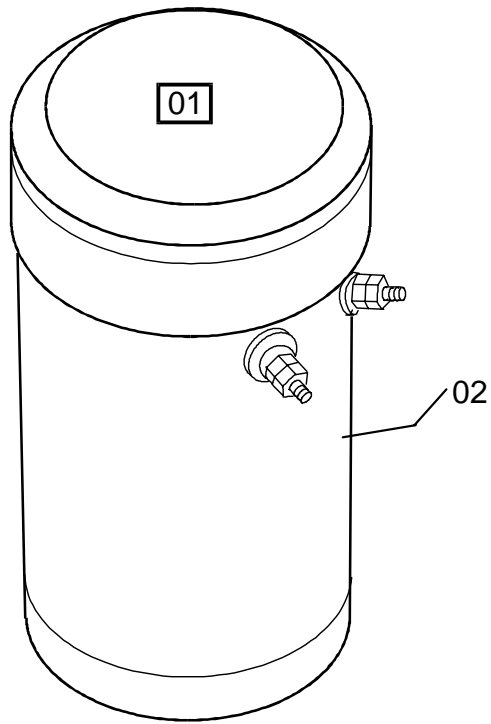
**5430-055 Motor cables, resistors**

[1999-06-12]

Effektkablar, effektmotstånd; Leistungskabeln, Widerstand; Cables moteur, resistances

		454 PPL 2000 MX		340960 -	
Pos	Description	Pcs	Part No	Note	
01	Fuse(100A) Säkring; Sicherung; Fusible	1	29228		
11	Insulator Isolator; Isolator; Isolateur	2	65183		
12	Washer Bricka; Scheibe; Rondelle	4	65184		
13	Washer Bricka; Scheibe; Rondelle	2	21393		
14	Nut Mutter; Mutter; Ecrou	2	20045		
15	Washer Bricka; Scheibe; Rondelle	4	21307		
16	Screw Skruv; Schraube; Vis	4	27500		
17	Cable Kabel; Kabel; Câble	1	137606		
18	Cable Kabel; Kabel; Câble	1	136747		
19	Cable(4) Kabel; Kabel; Câble	1	139216		
20	Cable Kabel; Kabel; Câble	1	134656		
21	Cable Kabel; Kabel; Câble	1	134659		
23	Cable Kabel; Kabel; Câble	1	134660		
24	Cable Kabel; Kabel; Câble	1	136765		
25	Cable(Transistor) Kabel; Kabel; Câble	1	171538		
26	Cable(A1) Kabel; Kabel; Câble	1	139173		
27	Cable(5) Kabel; Kabel; Câble	1	139217		
28	Cable Kabel; Kabel; Câble	1	136746		
29	Cable Kabel; Kabel; Câble	1	136749		
30	Cable(A2) Kabel; Kabel; Câble	1	139174		
31	Cable Kabel; Kabel; Câble	1	136748		

5810-022

**5810-022 Electric pump motor**

Elektrisk pumpmotor; Elektro-Pumpenmotor; Moteur de pompe électrique

[1998-08-27]

Pos	Description	Pcs	Part No	Note
			454 PPL 2000 MX	329900 -
01	Motor Motor; Motor; Moteur	1	164205	
02	Carbon brush(Kit) Kolborste(Sats); Kohlebürste(satz); Charbon(Jeux)	1	164206	

**9400-018 Extra electrical equipment**

[1998-11-13]

Extra elektrisk utrustning; Elektrische Zusatzausrüstung ; Equipement électrique supplémentaire

TL1		454 PPL 2000 MX		329900 -
Pos	Description	Pcs	Part No	Note
11	Logic box Logikbox; Steuerbox; Boite de logique	1	159922	
12	Conduit entry Kabelgenomföring; Kabeldurchgang; Traversée de câble	1	24941	
13	Screw Skruv; Schraube; Vis	1	20400	
14	Plate Plåt; Platte; Plaque	1	165637	
15	Screw Skruv; Schraube; Vis	1	29978	
16	Screw Skruv; Schraube; Vis	2	20351	
17	Screw Skruv; Schraube; Vis	4	24354	
18	Nut Mutter; Mutter; Ecrou	2	20249	
19	Relay Relä; Relais; Relais	1	155009	
20	Washer Bricka; Scheibe; Rondelle	2	20404	
21	Nut Mutter; Mutter; Ecrou	2	20081	
22	Wiring harness Kablage; Kabelsatz; Câblage	1	165717	
23	Cover Huv; Haube; Capot	1	165638	
24	Cap Lock; Deckel; Couvercle	1	166268	

CLICK HERE TO **DOWNLOAD** THE COMPLETE MANUAL

- Thank you very much for reading the preview of the manual.
- You can download the complete manual from: [www.heydownloads.com](http://www.heydownloads.com) by clicking the link below



- Please note: If there is no response to CLICKING the link, please download this PDF first and then click on it.

CLICK HERE TO **DOWNLOAD** THE COMPLETE MANUAL