

Quality Parts

PPH 1600 MX

| | |
|------------------------------------|--|
| Valid for machine number..... | 324214AA- |
| Only valid for machine number..... | <input type="text"/> <input type="text"/> <input type="text"/> <input type="text"/> <input type="text"/> <input type="text"/> <input type="text"/> |
| Ordering number..... | 166148 |
| Date | 1998-09-14 / BDJ |
| Language..... | GB; SE DE; FR |

CLICK HERE TO **DOWNLOAD** THE COMPLETE MANUAL

- Thank you very much for reading the preview of the manual.
- You can download the complete manual from: www.heydownloads.com by clicking the link below



- Please note: If there is no response to CLICKING the link, please download this PDF first and then click on it.

CLICK HERE TO **DOWNLOAD** THE COMPLETE MANUAL

0380-037 Fork frame

[1997-12-11]

Gaffelstomme (Låglyftande); Gabelgeruest (Niederhubwagen); Tablier porte-fourch

| | | | 204 PPH 1600 MX | 293315 - |
|-----|---|-----|-----------------|----------|
| Pos | Description | Pcs | Part No | Note |
| 04 | Torsion tube compl(b5=520 mm) Vridrör kompl; Drehrohr Kompl; Levier de tringle compl | 1 | 150918-002 | |
| 04 | Torsion tube compl(b5=550 mm) Vridrör kompl; Drehrohr Kompl; Levier de tringle compl | 1 | 150918-003 | |
| 04 | Torsion tube compl(b5=570 mm) Vridrör kompl; Drehrohr Kompl; Levier de tringle compl | 1 | 150918-004 | |
| 04 | Torsion tube compl(b5=685 mm) Vridrör kompl; Drehrohr Kompl; Levier de tringle compl | 1 | 150918-005 | |
| 11 | Split pin Hårnålssprint; Splint; Goupiller | 2 | 28925 | |
| 12 | Washer Bricka; Scheibe; Rondelle | 4 | 20013 | |
| 13 | Locking pin Spännstift; Spannstift; Goupille | 2 | 20014 | |
| 14 | Bush Bussning; Bague; Bague | 4 | 140173 | |
| 15 | Link Länk; Gelenk; Bras | 2 | 109319 | |
| 16 | Locking pin Spännstift; Spannstift; Goupille | 2 | 20001 | |
| 17 | Axle Axel; Achse; Axe | 2 | 154109 | |
| 17 | Axle(Stainless Steel) Axel(Rostfri); Achse(Nichtrostende); Axe(Inoxydable) | 2 | 154110 | |
| 19 | Bush Bussning; Bague; Bague | 2 | 140169 | |
| 20 | Bush Bussning; Bague; Bague | 2 | 140168 | |
| 21 | Bush Bussning; Bague; Bague | 2 | 140167 | |
| 22 | Axle Axel; Achse; Axe | 1 | 150920 | |
| 22 | Axle(Stainless Steel) Axel(Rostfri); Achse(Nichtrostende); Axe(Inoxydable) | 1 | 157272 | |
| 23 | Screw Skruv; Schraube; Vis | 1 | 29768 | |
| 24 | Screw Skruv; Schraube; Vis | 2 | 29522 | |
| 25 | Axle Axel; Achse; Axe | 2 | 134521 | |
| 26 | Axle Axel; Achse; Axe | 2 | 134446 | |
| 26 | Axle(Stainless Steel) Axel(Rostfri); Achse(Nichtrostende); Axe(Inoxydable) | 2 | 136859 | |
| 27 | Cotter pin Saxpinne; Gespalter stift; Goupille fendue | 2 | 20313 | |
| 29 | Bracket Fäste; Halterung; Support | 1 | 152111 | |

0850-051 Signs, warnings

[1997-11-05]

Skyltar, varningar; Schilder, Warnzeichen; Vignette, avertissement

| | | | 204 PPH 1600 MX | 306955 - |
|-----|--|-----|-----------------|----------|
| Pos | Description | Pcs | Part No | Note |
| 11 | Sign Skylt; Schild; Vignette | 1 | 160524 | |
| 14 | Sign Skylt; Schild; Vignette | 1 | 148227 | |
| 15 | Sign Skylt; Schild; Vignette | 1 | 72082 | |
| 16 | Sign(Cold stores) Skylt(Fryshus); Schild(Gefrieranlage); Vignette(Chambre frigorifique) | 1 | 147488 | |
| 17 | Sign(" BT ") Skylt; Schild; Vignette | 1 | 151847 | |
| 19 | Sign Skylt; Schild; Vignette | 2 | 147316 | |
| 20 | Sign Skylt; Schild; Vignette | 2 | 152027 | |
| 21 | Sign(" MAXI ") Skylt; Schild; Vignette | 1 | 151856 | |

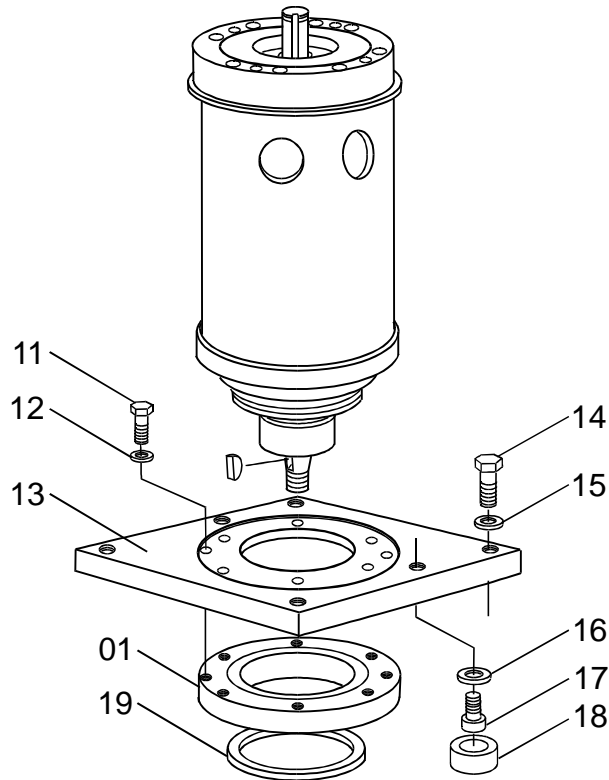
3500-012 Wheels

[1997-11-05]

Hjul; Räder; Roue

| | | | 204 PPH 1600 MX | 306955 - |
|-----|---|-----|-----------------|----------|
| Pos | Description | Pcs | Part No | Note |
| 01 | Bogie wheel(Complete) Boggiehjul(Komplett); Boggirad(Komplett); Roue de fourche bogie(Comple) | 4 | 150131-001 | |
| 02 | Single wheel(Complete) Singelhjul(Komplett); Einzelrad(Komplett); Roue simple(Comple) | 2 | 152344 | |
| 11 | Locking pin Spännstift; Spannstift; Goupille | 4 | 21091 | |
| 12 | Axle Axel; Achse; Axe | 2 | 154109 | |
| 12 | Axle(Stainless Steel) Axel(Rostfri); Achse(Nichtrostende); Axe(Inoxydable) | 2 | 154110 | |
| 13 | Bush Bussning; Bague; Bague | 2 | 140168 | |
| 14 | Wheel fork Hjulgaffel; Radgabel; Fourche de roue | 2 | 150113 | |
| 15 | Bush Bussning; Bague; Bague | 4 | 154703 | |
| 16 | Bracket Fäste; Halterung; Support | 4 | 150115 | |
| 17 | Screw Skruv; Schraube; Vis | 4 | 150132 | |
| 18 | Wheel Hjul; Rad; Roue | 4 | 150128-074 | |
| 19 | Ball bearing Kullager; Kugellager; Roulement a billes | 8 | 20906 | |
| 20 | Sealing Tätning; Dichtung; Joint | 8 | 150127 | |
| 21 | Axle Axel; Achse; Axe | 4 | 150126-076 | |
| 22 | Bush Bussning; Bague; Bague | 4 | 140169 | |
| 23 | Axle Axel; Achse; Axe | 2 | 154593 | |
| 23 | Axle(Stainless Steel) Axel(Rostfri); Achse(Nichtrostende); Axe(Inoxydable) | 2 | 154632 | |
| 25 | Bush Bussning; Bague; Bague | 4 | 154117 | |
| 26 | Locking ring Spärring; Schliessring; Circlip | 2 | 24000 | |
| 27 | Axle Axel; Achse; Axe | 2 | 154115 | |
| 27 | Axle(Stainless Steel) Axel(Rostfri); Achse(Nichtrostende); Axe(Inoxydable) | 2 | 154116 | |
| 28 | Wheel Hjul; Rad; Roue | 2 | 150128-095 | |

4180-007

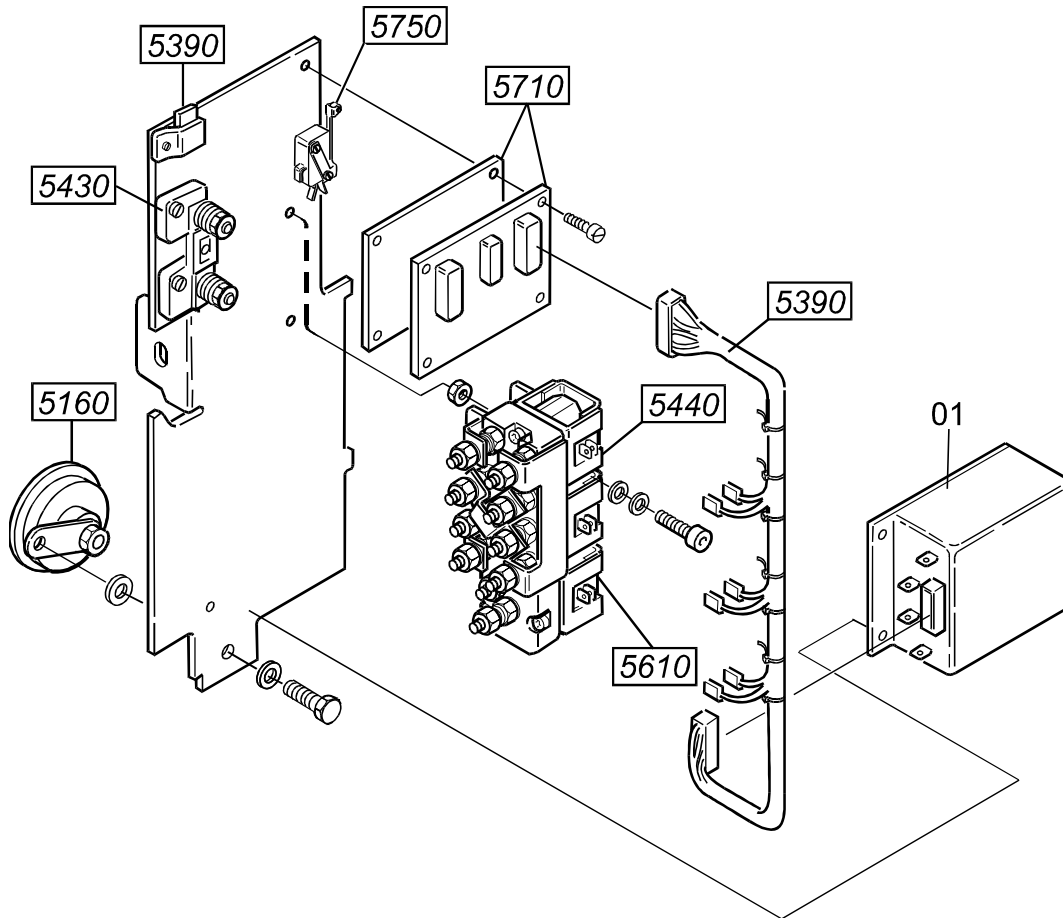
**4180-007 Steering bearings, radial bearing**

[1996-05-20]

Styrlagring, styrlager / krans (radial); Führungslager, lenkkranz; Roulement direction

| | | | 204 PPH 1600 MX | 251000 - |
|-----|---|-----|-----------------|----------|
| Pos | Description | Pcs | Part No | Note |
| 01 | Ball bearing Kullager; Kugellager; Roulement a billes | 1 | 110290 | |
| 11 | Screw Skruv; Schraube; Vis | 8 | 20532 | |
| 12 | Washer Bricka; Scheibe; Rondelle | 8 | 20375 | |
| 13 | Plate Plåt; Platte; Plaque | 1 | 134480 | |
| 14 | Screw Skruv; Schraube; Vis | 4 | 20002 | |
| 15 | Washer Bricka; Scheibe; Rondelle | 4 | 21394 | |
| 16 | Washer Bricka; Scheibe; Rondelle | 2 | 20228 | |
| 17 | Screw Skruv; Schraube; Vis | 2 | 20651 | |
| 18 | Sleeve Hylsa; Hülse; Douille | 2 | 141523 | |
| 19 | Sealing Tätning; Dichtung; Joint | 1 | 28070 | |

5460-013



5460-013 Transistor panel

Kraftelektronik transistor; Transistor paneel; Panneau transistor

[1997-10-15]

| | | | 204 PPH 1600 MX | 268677 - |
|-----|---|-----|-----------------|----------|
| Pos | Description | Pcs | Part No | Note |
| 01 | Transistor controller Transistorregulator; Transistorregulator; Regulateur des transistors | 1 | 137197-006 | |

6120-038 Hoses and pipes, connection, fixation

[1996-05-20]

Rör/slang-ledning, Koppl., fastsättning; Rohr/Schlauch/Verschraubung. befestig.; Tuyaux / flexibles raccords

| | | | 204 PPH 1600 MX | 275360 - |
|-----|---|-----|-----------------|----------|
| Pos | Description | Pcs | Part No | Note |
| 11 | Connection Koppling; Kupplung; Raccord | 1 | 28792 | |
| 12 | Hose Slang; Schlauch; Tuyau flexible | 1 | 138875 | |
| 13 | Connection Koppling; Kupplung; Raccord | 1 | 28798 | |
| 14 | Connection Koppling; Kupplung; Raccord | 1 | 28786 | |
| 15 | Hose Slang; Schlauch; Tuyau flexible | 1 | 149592-002 | |
| 16 | Connection Koppling; Kupplung; Raccord | 1 | 134696 | |
| 17 | Hose Slang; Schlauch; Tuyau flexible | 1 | 149592-001 | |
| 18 | Connection Koppling; Kupplung; Raccord | 1 | 29812 | |
| 19 | Connection Koppling; Kupplung; Raccord | 1 | 28785 | |

CLICK HERE TO **DOWNLOAD** THE COMPLETE MANUAL

- Thank you very much for reading the preview of the manual.
- You can download the complete manual from: www.heydownloads.com by clicking the link below



- Please note: If there is no response to CLICKING the link, please download this PDF first and then click on it.

CLICK HERE TO **DOWNLOAD** THE COMPLETE MANUAL