

Quality Parts

OS 3.0

Valid for machine number..... 282237AA-289678AA

Only valid for machine number.....

--	--	--	--	--	--	--	--	--	--

Ordering number 152105

Date 1996-02-26 / ITS / ESIF

Language..... GB; SE; DE; FR

CLICK HERE TO **DOWNLOAD** THE COMPLETE MANUAL

- Thank you very much for reading the preview of the manual.
- You can download the complete manual from: www.heydownloads.com by clicking the link below



- Please note: If there is no response to CLICKING the link, please download this PDF first and then click on it.

CLICK HERE TO **DOWNLOAD** THE COMPLETE MANUAL

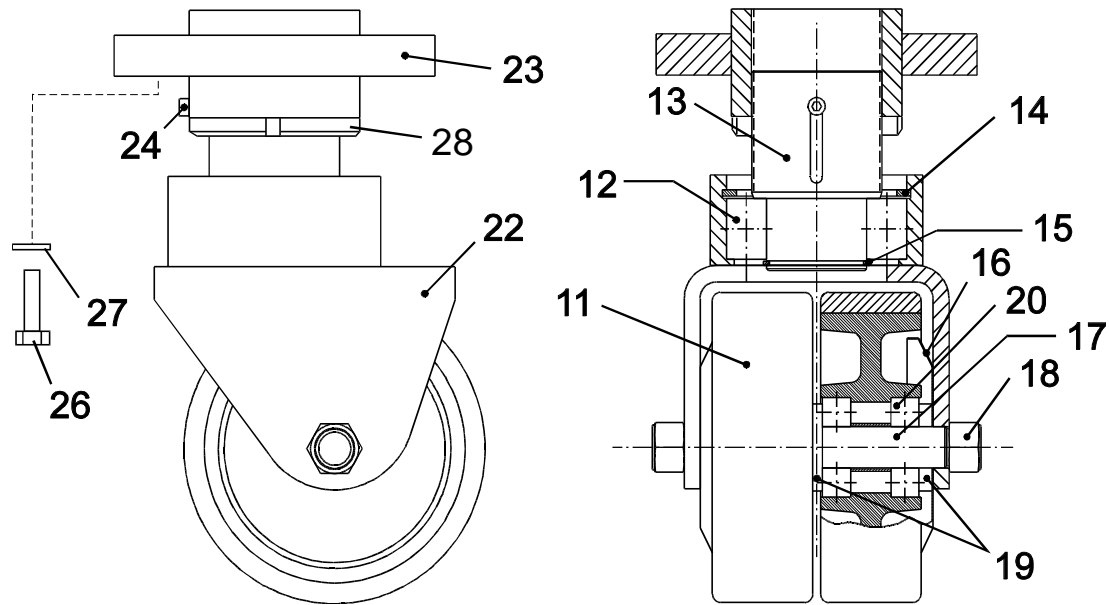
0340-023 Inspection covers

[1996-09-03]

Huvar, luckor; Hauben, Abdeckungen; Capots, couvercles

			346 OS 3.0	282237 - 289678
Pos	Description	Pcs	Part No	Note
11	Cover. Lucka; Deckel; Couvercle	1	150286	
12	Screw Skruv; Schraube; Vis	4	20338	
13	Cover(Plastic) Huv(Plast); Haube(Kunststoff); Capot(Plastique)	1	142122	
13	Cover(Metal) Huv(Metall); Haube(Metall); Capot(Métal)	1	153088	
14	Screw Skruv; Schraube; Vis	2	28447	Plastic cover Plasthuv; Kunststoff-haube; Plastique-capot
14	Screw Skruv; Schraube; Vis	2	28633	Metal cover Metallhuv; Metall-haube; Métal-capot
15	Nut Mutter; Mutter; Ecrou	2	28931	Metal cover Metallhuv; Metall-haube; Métal-capot
15	Nut Mutter; Mutter; Ecrou	2	28931	Plastic cover Plasthuv; Kunststoff-haube; Plastique-capot
16	Guide Styrning; Steuerung; Guidage	2	134467	
17	Screw Skruv; Schraube; Vis	2	21116	
18	Cover. Lucka; Deckel; Couvercle	1	149252	
22	Cover.(C = 260 mm) Lucka; Deckel; Couvercle	1	148799	
22	Cover.(C = 400 mm) Lucka; Deckel; Couvercle	1	148800	
22	Cover.(C = 330 mm) Lucka; Deckel; Couvercle	1	153454	
23	Locking plate Låsplåt; Schlussplatte; Lame de serrage	1	147540	
24	Screw Skruv; Schraube; Vis	1	20319	
25	Nut Mutter; Mutter; Ecrou	1	20130	
26	Spring Fjäder; Feder; Ressort	1	143584	
30	Axle Axel; Achse; Axe	2	27952	
31	Cotter Sprint; Federsplint; D'attelage	2	29700	
32	Screw Skruv; Schraube; Vis	1	117919	
33	Nut Mutter; Mutter; Ecrou	2	20016	
34	Door(B = 263 mm, left) Dörr(B = 263 mm, vänster); Tür(B = 263 mm, Links); Porte(B = 263 mm, gauche)	1	148795	
34	Door(B = 403 mm, left) Dörr(B = 403 mm, vänster); Tür(B = 403 mm, Links); Porte(B = 403 mm, gauche)	1	148797	
35	Door(B = 263 mm, right) Dörr(B = 263 mm, höger); Tür(B = 263 mm, Recht); Porte(B = 263 mm, droit)	1	148796	
35	Door(B = 403 mm, right) Dörr(B = 403 mm, höger); Tür(B = 403 mm, Recht); Porte(B = 403 mm, droit)	1	148798	
36	Cotter Sprint; Federsplint; D'attelage	2	148776	

3540-013



3540-013 Support/caster wheels

Stöd-/länkhjul; Stützräder/Gelenkrollen; Roues stabilisatrices/pivotantes

[1997-08-14]

		346 OS 3.0		285551 - 336995	
Pos	Description	Pcs	Part No	Note	
01	Link wheel compl.(Vulkollan) Länkhjul kompl.; Gelenkrad kompl.; Roue articulée compl.	1	149229-001		
01	Link wheel compl.(Tractothan) Länkhjul kompl.; Gelenkrad kompl.; Roue articulée compl.	1	149229-002		
11	Wheel(Tractothan) Hjul; Rad; Roue	2	152859		
11	Wheel(Vulkollan) Hjul; Rad; Roue	2	159836		
12	Ball bearing Kullager; Kugellager; Roulement a billes	1	29531		
13	Axle Axel; Achse; Axe	1	149226		
14	Locking ring Spårring; Schliessring; Circlip	1	20819		
15	Locking ring Spårring; Schliessring; Circlip	1	20011		
16	Protection Skydd; Schutz; Protègee	2	152376		
17	Axle Axel; Achse; Axe	1	142911		
18	Nut Mutter; Mutter; Ecrou	2	21123		
19	Distance piece Distans; Distanz; Distance	3	152374		
20	Bearing Lager; Lager; Roulement	4	28484		
22	Castor wheel fork Länkhjulsgaffel; Gelenkradgabel; Fource des roues	1	142910		
23	Housing Lagerhus; Gehäuse; Carter de roulement	1	149228		
24	Screw Skruv; Schraube; Vis	1	20743		
26	Screw Skruv; Schraube; Vis	4	20338		
27	Washer Bricka; Scheibe; Rondelle	4	126723-006		
28	Nut Mutter; Mutter; Ecrou	1	25955		

CLICK HERE TO **DOWNLOAD** THE COMPLETE MANUAL

- Thank you very much for reading the preview of the manual.
- You can download the complete manual from: www.heydownloads.com by clicking the link below

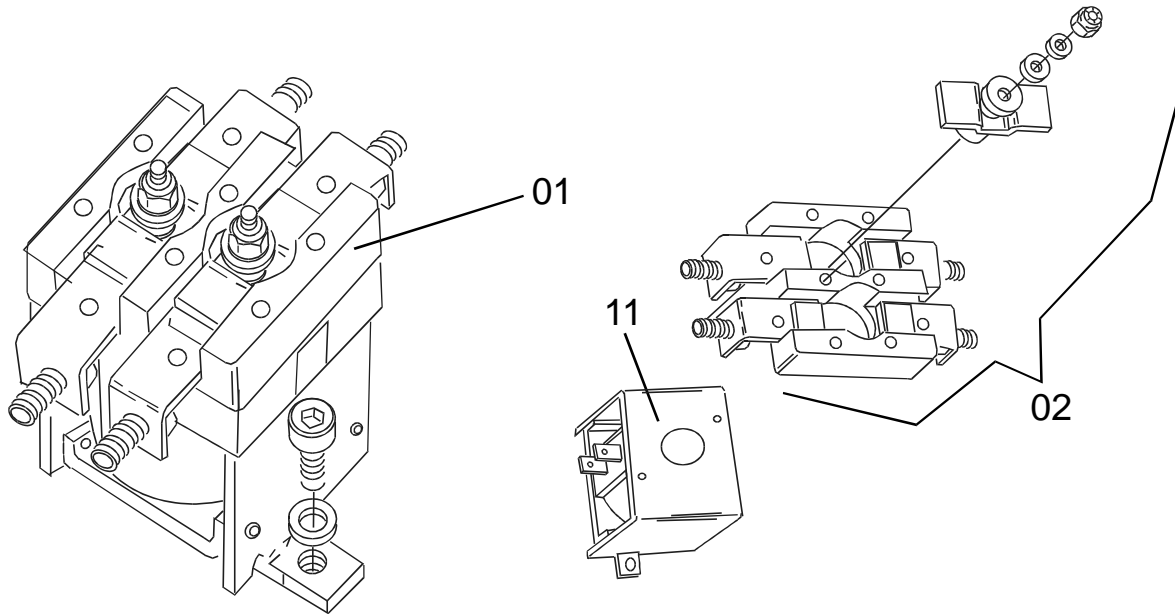


- Please note: If there is no response to CLICKING the link, please download this PDF first and then click on it.

CLICK HERE TO **DOWNLOAD** THE COMPLETE MANUAL

Pos	Description	Pcs	Part No	Note
64	Nut Mutter; Mutter; Ecrou	1	20016	
65	Locking ring Spårring; Schliessring; Circlip	1	20885	
66	Washer Bricka; Scheibe; Rondelle	2	20404	
67	Bracket Fäste; Halterung; Support	1	142221	
68	Locking pin Spännstift; Spannstift; Goupille	1	20189	
69	Axle Axel; Achse; Axe	1	138444	
70	Bush Bussning; Bague; Bague	2	140177	
71	Bush Bussning; Bague; Bague	1	142834	
72	Handle Handtag; Handgriff; Poignée.	1	143486	
73	Wire(S = 389 mm) Wire; Drahtseil; Filament	1	143488-001	
73	Wire(S = 529 mm) Wire; Drahtseil; Filament	1	143488-002	
74	Push-button Tryckknapp; Druckknopf; Bouton	1	142830	
75	Spring Fjäder; Feder; Ressort	4	27309	
76	Consol Konsol; Konsole; Console	1	109850	
77	Cover(Left steering wheel) Huv(Vänster ratt); Haube(Links lenkrad); Capot(Gauge volant)	1	142820	
77	Cover(Right steering wheel) Huv(Höger ratt); Haube(Recht Lenkrad); Capot(Droit volant)	1	142821	
78	Cover Huv; Haube; Capot	1	149542	Left steering wheel Vänster ratt; Links lenkrad; Gauge volant
78	Cover Huv; Haube; Capot	1	149543	Right steering wheel Höger ratt; Recht Lenkrad; Droit volant
79	Nut Mutter; Mutter; Ecrou	4	25437	
80	Screw Skruv; Schraube; Vis	4	28545	
81	Screw Skruv; Schraube; Vis	4	21424	
82	Nut Mutter; Mutter; Ecrou	4	20081	
83	Arm Arm; Arm; Bras	1	146234	
84	Bracket Fäste; Halterung; Support	1	146233	
85	Distance piece Distans; Distanz; Distance	1	76974	
86	Distance piece Distans; Distanz; Distance	1	54731	

5190-006



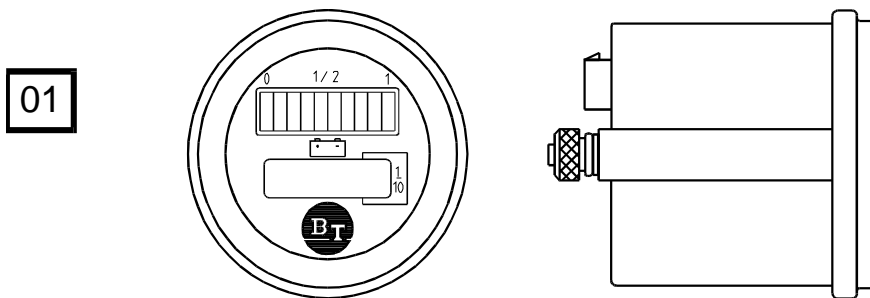
5190-006 Battery cut out connector/contactator

[1996-09-10]

Batterifrånskiljare, huvudkontaktör; Batterietrennung, Hauptkontaktör; Coupe-circuit de batterie, contacteur

			346 OS 3.0	262700 - 289678
Pos	Description	Pcs	Part No	Note
01	Contactör Kontaktör; Kontaktör; Contacteur	1	141139	
02	Contact set Kontaktsats; Kontaktsatz; Jeux de contact	1	74458	
11	Coil Spole; Spule; Bobine	1	124905-012	

5230-001



5230-001 Voltage/battery indicator/control

[1996-06-11]

Volt-/batteri-indikator/-kontroll; Volt- / Batterieanzeige; Indicateur-limiteur de batterie/tension

			346 OS 3.0	262700 - 289678
Pos	Description	Pcs	Part No	Note
01	Battery indicator Batteriindikator; Batterienindikator; Indicateur de batterie	1	132776	

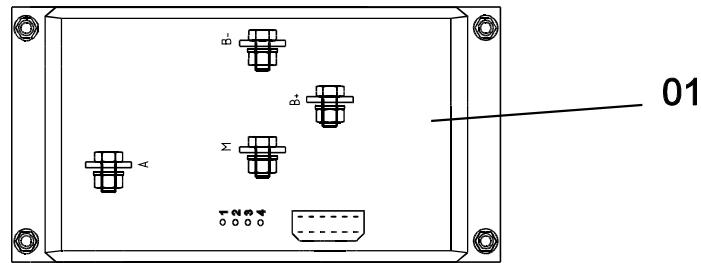
5330-006 Speed control

[1994-05-30]

Fartreglering; Geschwindigkeitsreglung; Régulation de vitesse

		346 OS 3.0		262700 - 289678	
Pos	Description	Pcs	Part No	Note	
02	Micro switch(Cold stores) Mikrobrytare(Fryshus); Mikroschalter(Gefrieranlage); Interrupteurs(Chambre frigorifique)	2	147228		
02	Micro switch Mikrobrytare; Mikroschalter; Interrupteurs	2	22409		
03	Operating device Manöverdon; Steuerungsvorrichtung; Bras de commande	2	29078		
13	Screw Skruv; Schraube; Vis	2	20720		
14	Bracket Fäste; Halterung; Support	2	134065		
15	Screw Skruv; Schraube; Vis	2	21134		
16	Washer Bricka; Scheibe; Rondelle	2	21392		
18	Washer Bricka; Scheibe; Rondelle	2	21392		
19	Nut Mutter; Mutter; Ecrou	2	20255		
20	Screw Skruv; Schraube; Vis	2	20867		
21	Bracket Fäste; Halterung; Support	1	101215		
22	Washer Bricka; Scheibe; Rondelle	2	21317		
23	Nut Mutter; Mutter; Ecrou	2	20257		
24	Gear wheel Kugghjul; Zahnrad; Roue dentée	1	119697		
25	Potentiometer Potentiometer; Potentiometer; Potentiometre	1	137589		

5460-008



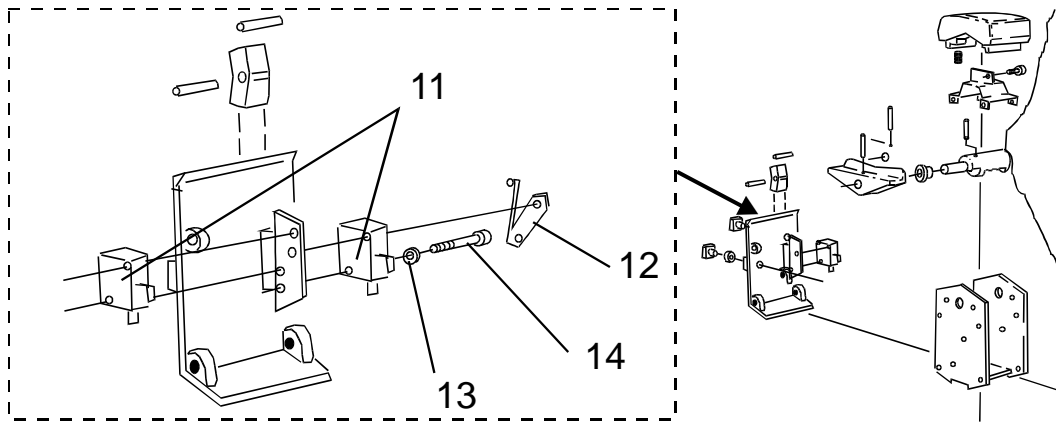
5460-008 Transistor panel

[1997-02-27]

Transistorpanel ; Transistorpanel; Panneau transistor

Driving; Åkning; Faharen; Translation			346 OS 3.0	262700 - 289678
Pos	Description	Pcs	Part No	Note
01	Transistor controller Transistorregulator; Transistorregulator; Regulateur des transistors	1	140163-003	

5510-001



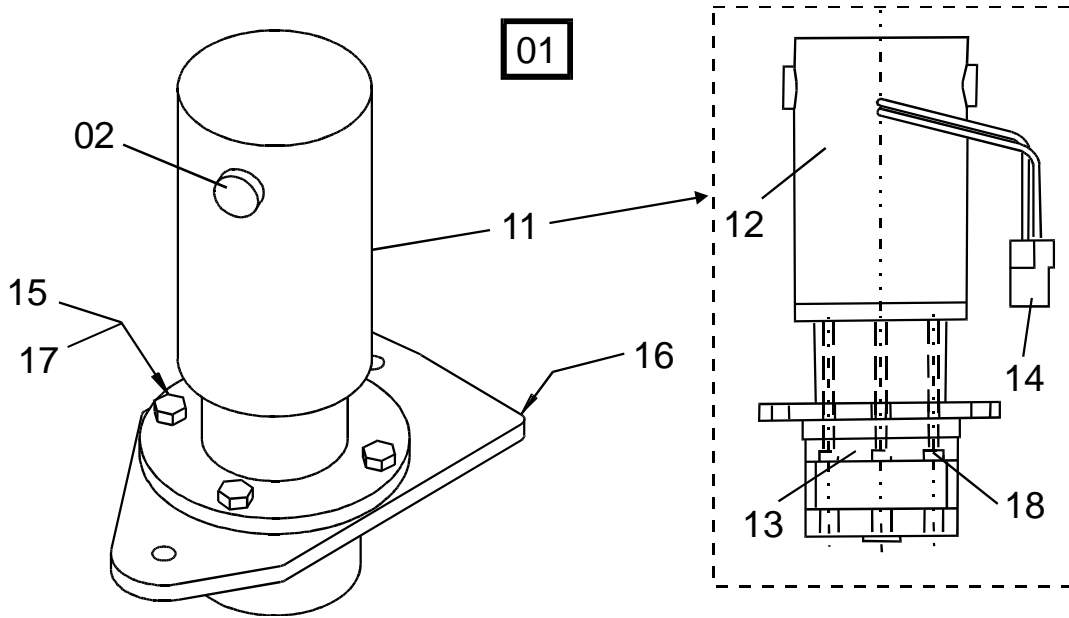
5510-001 Work function micro switches, potentiometers

[1996-09-09]

Arbetsfunktionsbrytare/-potentiometer; Schalter/Potentiometer Arbeitsfunktion; Rupteurs (switches)/potentiomètres

			346 OS 3.0	262700 - 295606
Pos	Description	Pcs	Part No	Note
11	Micro switch Mikrobrytare; Mikroschalter; Interrupteurs	2	22409	
12	Operating device Manöverdon; Steuerungsvorrichtung; Bras de commande	2	29078	
13	Washer Bricka; Scheibe; Rondelle	4	21392	
14	Screw Skruv; Schraube; Vis	4	23638	

5830-003



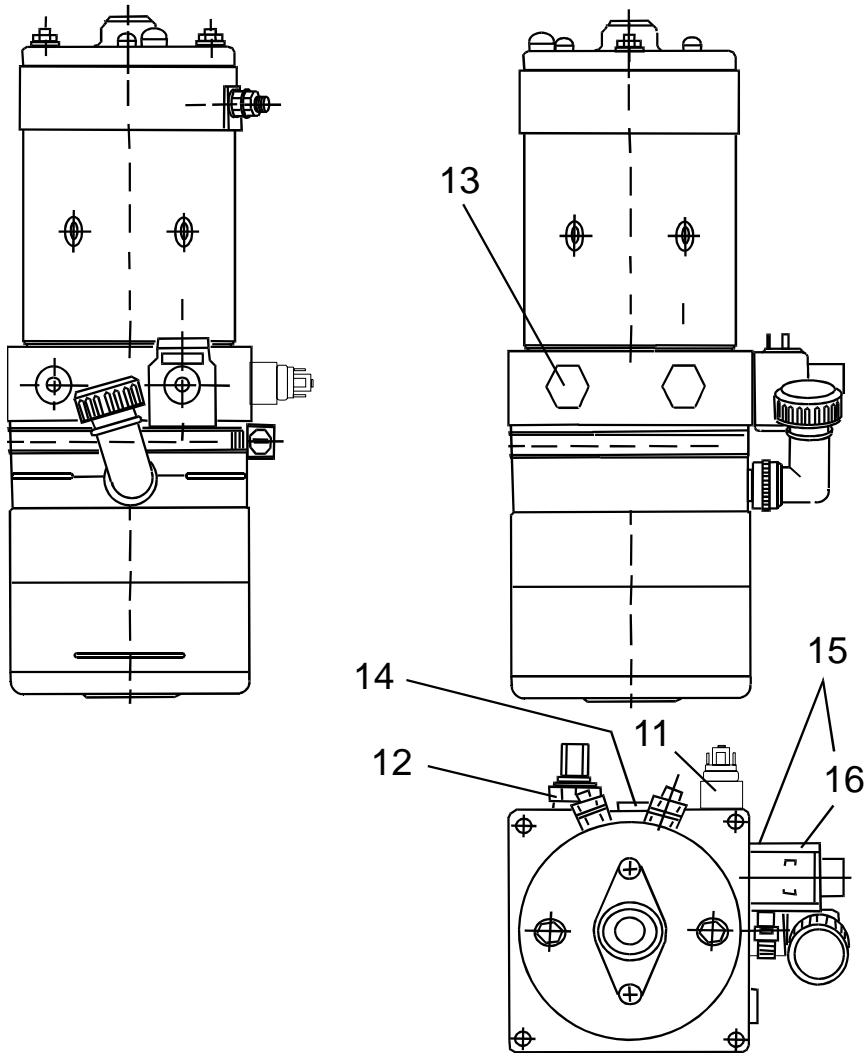
5830-003 Electric steering motor

[1998-08-19]

Elektrisk styrmotor; Elektro-Lenkmotor; Moteur de direction électrique

Steering wheel system; Rattstyrning; Lenkrad steuerung; Volant de direction		346 OS 3.0	262700 - 336995	
Pos	Description	Pcs	Part No	Note
01	Steering motor(Complete) Styrmotor(Komplett); Steuerrungsmotor(Komplett); Module moteur de direction(Complett)	1	142703	
02	Carbon brush Kolborste; Kohlebürste; Charbon	2	29565	
11	Steering motor Styrmotor; Steuerrungsmotor; Module moteur de direction	1	142521	
12	Motor Motor; Motor; Moteur	1	139266	
13	Gear Växel; Getriebe; Engrenage	1	142520	
14	Conductor joint socket Hylsskarvdon; Leistungsverbinder hülse; Connexion socle	1	28685	
15	Screw Skruv; Schraube; Vis	4	21141	
16	Bracket Fäste; Halterung; Support	1	142516	
17	Washer Bricka; Scheibe; Rondelle	4	20404	
18	Screw Skruv; Schraube; Vis	4	29844	

6170-008

**6170-008 Pressure/flow control valve**

[1996-02-21]

Tryck-/flödesventil; Druck-/Reduzierventile; Soupape de pression et débit

Pos	Description	Pcs	Part No	Note
11	Pressure relais Tryckvakt; Druckwächter; Soupape de compression	1	147069	
12	Valve Ventil; Ventil; Soupape	1	143373	
13	Non return valve Backventil; Rückschlagklappe; Clapet de retenue	1	143374	
14	Valve(Flow) Ventil(Flödes); Ventil(Fluss); Soupape(Flux)	1	143370	
15	Valve(Magnet) Ventil(Magnet); Ventil(Magnet); Soupape(Magnétique)	1	143371	
16	Coil Spole; Spule; Bobine	1	143372	

CLICK HERE TO **DOWNLOAD** THE COMPLETE MANUAL

- Thank you very much for reading the preview of the manual.
- You can download the complete manual from: www.heydownloads.com by clicking the link below



- Please note: If there is no response to CLICKING the link, please download this PDF first and then click on it.

CLICK HERE TO **DOWNLOAD** THE COMPLETE MANUAL