

## Quality Parts

OS 3.0

Valid for machine number..... 346578AA-

Only valid for machine number..... 

--	--	--	--	--	--	--	--

Ordering number..... 174362

Date ..... 1999-10-05 / ESDF

Language..... GB; SE; DE; FR

CLICK HERE TO **DOWNLOAD** THE COMPLETE MANUAL

- Thank you very much for reading the preview of the manual.
- You can download the complete manual from: [www.heydownloads.com](http://www.heydownloads.com) by clicking the link below



- Please note: If there is no response to CLICKING the link, please download this PDF first and then click on it.

CLICK HERE TO **DOWNLOAD** THE COMPLETE MANUAL

## 9000 Options/attachments

Tillbehör/extrautrustning; Zubehör /Zusatzausrüstung; Equipement supplémentaire/Options

### 9130-006 Working cage

Arbetskorg; Arbeitskorb/-bühne; Nacelle

### 9420-004 Truck log device, code locking device

Truck logg utrustn., kodlås; Truck Log System, Codesperre; Système Optigest, verrouillage (blocage) code

### 9500-038 Other extra equipment

Extra utrustning övrigt; Zusatzausrüstung Sonstiges; Autre équipement supplémentaire

### 9500-062 Other extra equipment

Extra utrustning övrigt; Zusatzausrüstung Sonstiges; Autre équipement supplémentaire

### 9500-063 Other extra equipment

**Writing table**

Extra utrustning övrigt; Zusatzausrüstung Sonstiges; Autre équipement supplémentaire

### 9500-092 Other extra equipment

Extra utrustning övrigt; Zusatzausrüstung Sonstiges; Autre équipement supplémentaire

### 9500-093 Other extra equipment

Extra utrustning övrigt; Zusatzausrüstung Sonstiges; Autre équipement supplémentaire

### 9550-003 Battery changing equipment

Batteribytesanordning; Batteriewechselvorrichtung; Equipement de changement batterie

**0390-054 Battery compartment parts**

[1999-08-30]

Batteriutrymmesdelar; Batterieraumteile; Pièce de compartiment batterie

			346 OS 3.0	346578 -
Pos	Description	Pcs	Part No	Note
11	Screw Skruv; Schraube; Vis	1	20192	
12	Washer Bricka; Scheibe; Rondelle	1	20404	
13	Hook Hake; Haken; Crochet	1	173150-001	L = 240 mm
13	Hook Hake; Haken; Crochet	1	173150-002	L = 310 mm
13	Hook Hake; Haken; Crochet	1	173150-003	L = 380 mm
14	Bush Bussning; Bague; Bague	1	173149	
15	Ring Ring; Ring; Bague	1	173444	
16	Bracket Fäste; Halterung; Support	1	173147-002	
17	Screw Skruv; Schraube; Vis	4	21141	
18	Washer Bricka; Scheibe; Rondelle	24	20404	
19	Plate Plåt; Platte; Plaque	1	173445	
20	Screw Skruv; Schraube; Vis	2	20074	
21	Nut Mutter; Mutter; Ecrou	2	20016	
22	Consol Konsol; Konsole; Console	1	173145-001	A = 243 mm
22	Consol Konsol; Konsole; Console	1	173145-002	A = 313 mm
22	Consol Konsol; Konsole; Console	1	173145-003	A = 383 mm
23	Washer Bricka; Scheibe; Rondelle	3	20348	
24	Screw Skruv; Schraube; Vis	1	20439	B = 16 mm
24	Screw Skruv; Schraube; Vis	1	23932	B = 50 mm
25	Screw Skruv; Schraube; Vis	2	20074	
26	Nut Mutter; Mutter; Ecrou	2	20016	
27	Distance piece Distans; Distanz; Distance	1	171157	
28	Damper Dämpare; Dämpfer; Attenteur	1	171158	
29	Bracket Fäste; Halterung; Support	10	138542	
30	Roller Rulle; Rolle; Roleau	10	149508	
31	Axle Axel; Achse; Axe	10	142596	





**3110-005 Travel brake controls**

[1996-09-05]

Färdbrömsreglage; Betriebsbremsregelung; Commandes frein de route

			346 OS 3.0	289679 -
Pos	Description	Pcs	Part No	Note
11	<b>Brake control complete</b> Bromsreglage komplett; Bremsregler komplett; Levier de frein complete	1	152834	<b>Cold stores</b> Fryshus; Gefrieranlage; Chambre frigorifique
11	<b>Brake control complete</b> Bromsreglage komplett; Bremsregler komplett; Levier de frein complete	1	152845	
12	<b>Lever</b> Spak; Hebel; Levier	1	151473	
13	<b>Bellows(Rubber)</b> Bälg(Gummi); Balg(Gummi); Soufflet(Gomme)	1	151474-001	
14	<b>Nut</b> Mutter; Mutter; Erou	1	20396	
15	<b>Locking ring</b> Spårring; Schliessring; Circlip	1	20885	
16	<b>Washer</b> Bricka; Scheibe; Rondelle	1	23630	
17	<b>Washer</b> Bricka; Scheibe; Rondelle	1	152831	
18	<b>Washer</b> Bricka; Scheibe; Rondelle	1	23630	
19	<b>Locking pin</b> Spännstift; Spannstift; Goupille	1	20144	
20	<b>Spring</b> Fjäder; Feder; Ressort	1	142491	
21	<b>Bracket</b> Fäste; Halterung; Support	1	152832	

CLICK HERE TO **DOWNLOAD** THE COMPLETE MANUAL

- Thank you very much for reading the preview of the manual.
- You can download the complete manual from: [www.heydownloads.com](http://www.heydownloads.com) by clicking the link below



- Please note: If there is no response to CLICKING the link, please download this PDF first and then click on it.

CLICK HERE TO **DOWNLOAD** THE COMPLETE MANUAL

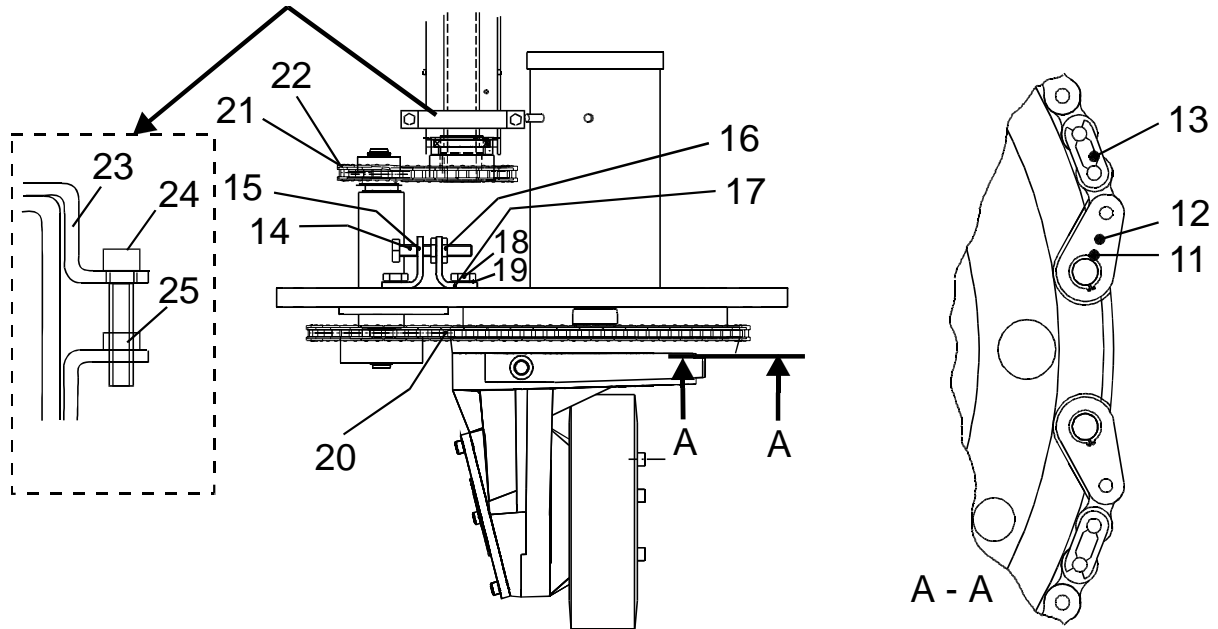
**4110-044 Steering arm / wheel / lever**

[1998-09-09]

Styr- arm/ratt/spak; Deichsel, Lenkrad-hebel; Timon/volant/levier de direction

Steering arm; Manöverarmsstyrning; Steuerarm; Bras de manoeuvre			346 OS 3.0	289679 -
Pos	Description	Pcs	Part No	Note
01	Steering arm compl.(L = 440 mm) Styrmarm kompl.; Deichsel kompl.; Timon kompl.	1	154418-001	Cold stores Fryshus; Gefrieranlage; Chambre frigorifique
01	Steering arm compl.(L = 300 mm) Styrmarm kompl.; Deichsel kompl.; Timon kompl.	1	154418-002	Cold stores Fryshus; Gefrieranlage; Chambre frigorifique
01	Steering arm compl.(L = 370 mm) Styrmarm kompl.; Deichsel kompl.; Timon kompl.	1	154418-003	Cold stores Fryshus; Gefrieranlage; Chambre frigorifique
01	Steering arm compl.(L = 440 mm) Styrmarm kompl.; Deichsel kompl.; Timon kompl.	1	154972-001	
01	Steering arm compl.(L = 300 mm) Styrmarm kompl.; Deichsel kompl.; Timon kompl.	1	154972-002	
01	Steering arm compl.(L = 370 mm) Styrmarm kompl.; Deichsel kompl.; Timon kompl.	1	154972-003	
11	Cap(N = 310 mm) Lock; Deckel; Couvercle	1	142793	
11	Cap(N = 175 mm) Lock; Deckel; Couvercle	1	142794	
11	Cap(N = 240 mm) Lock; Deckel; Couvercle	1	154429	
12	Gas suspension(300 Newton) Gasfjäder(300 N); Gasfederung(300 N); Suspension à gaz(300 N)	1	122314-083	
12	Gas suspension(400 Newton) Gasfjäder(400 N); Gasfederung(400 N); Suspension à gaz(400 N)	1	122314-084	
13	Screw Skruv; Schraube; Vis	4	28545	
14	Nut Mutter; Mutter; Ecrou	4	29790	
15	Nut Mutter; Mutter; Ecrou	2	21110	
16	Axle Axel; Achse; Axe	1	138444	
17	Bush Bussning; Bague; Bague	2	140177	
18	Bracket Fäste; Halterung; Support	1	147536	
19	Lever Spak; Hebel; Levier	1	140808-001	
20	Locking pin Spännstift; Spannstift; Goupille	1	29914	
21	Spring Fjäder; Feder; Ressort	1	152630	
22	Screw Skruv; Schraube; Vis	2	29668	
23	Washer Bricka; Scheibe; Rondelle	2	22553	
24	Bracket Fäste; Halterung; Support	1	160830	
25	Screw Skruv; Schraube; Vis	2	28970	
26	Bracket Fäste; Halterung; Support	1	147571	
27	Screw Skruv; Schraube; Vis	1	21935	
28	Clamp Klamma; Rohrschelle; Collier	2	20942	
29	Cap Lock; Deckel; Couvercle	1	142250	
30	Cap Lock; Deckel; Couvercle	1	142251	

## 4170-005



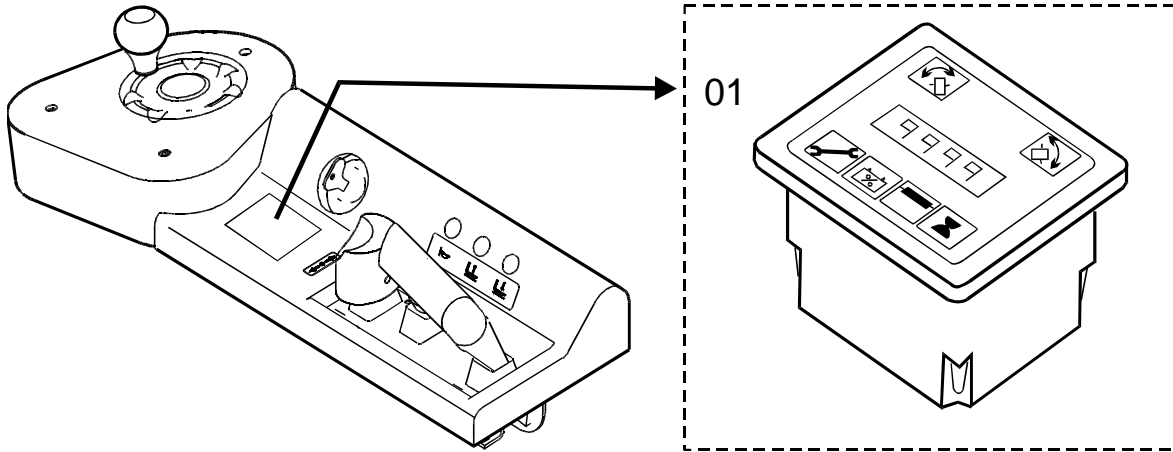
## 4170-005 Steering Chain / linkage / wire

[1996-09-10]

Styrkedja/-länkar, wire; Steuerkette/-gelenke/-stahlseil; Chaîne de direction, câble, fixation

Mechanical steering; Mekanisk styrning; Mechanisch steuerung; Direction mécanique			346 OS 3.0	275189 -
Pos	Description	Pcs	Part No	Note
11	Locking ring Spärring; Schliessring; Circlip	4	20885	
12	End link washer Ändlänksbricka; Endgelenkscheibe; Mailon terminal	2	27876	
13	Chain lock Kedjelås; Kettenschloss; Arret de chaine	2	29689	
14	Screw Skruv; Schraube; Vis	1	27631	
15	Bracket Fäste; Halterung; Support	1	138522	
16	Nut Mutter; Mutter; Ecrou	2	20777	
17	Bracket Fäste; Halterung; Support	1	138517	
18	Screw Skruv; Schraube; Vis	2	26618	
19	Washer Bricka; Scheibe; Rondelle	2	21394	
20	Chain Kedja; Ketten; Chaîne	1	142518	
21	Chain Kedja; Ketten; Chaîne	1	142517	
22	Chain lock Kedjelås; Kettenschloss; Arret de chaine	1	26011	
23	Bracket Fäste; Halterung; Support	1	144394	
24	Screw Skruv; Schraube; Vis	2	20276	
25	Nut Mutter; Mutter; Ecrou	1	20081	

5200-003



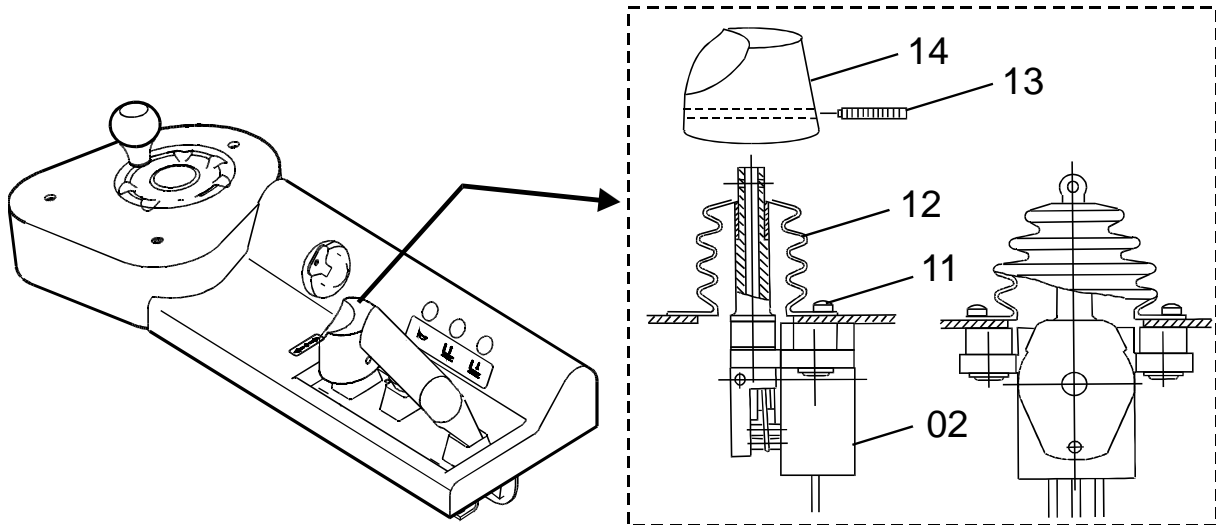
**5200-003 Instrument panel, display**

[1997-01-14]

Instrumentpanel, display; Instrumentpanel, Display; Tableau de bord, afficheur

<i>Steering wheel; Ratt; lenkrad; Volant</i>			346 OS 3.0	295607 -
Pos	Description	Pcs	Part No	Note
01	Display Display; Display; Display	1	157018	

5330-017



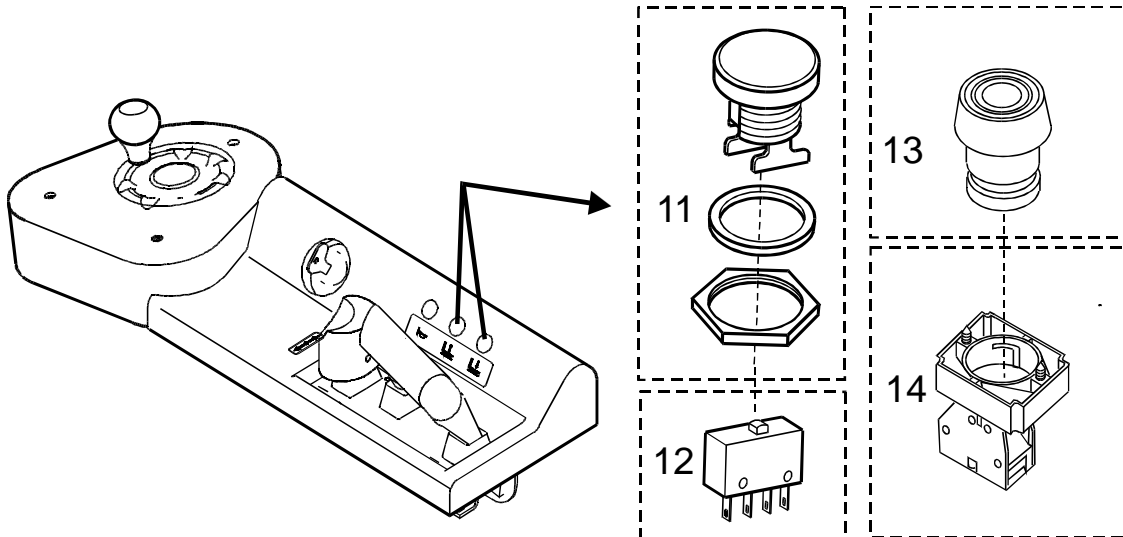
5330-017 Speed control

Fartreglering; Geschwindigkeitsreglung; Régulation de vitesse

[1996-09-10]

Electrical steering; Elektrisk styrning; Elektrisch Steuerung; Direction mécanique			346 OS 3.0	289679 -
Pos	Description	Pcs	Part No	Note
02	Joystick Joystick; Joystick; Joystick	1	154249	
11	Screw Skruv; Schraube; Vis	2	29918	
12	Bellows(Rubber) Bälg(Gummi); Balg(Gummi); Soufflet(Gomme)	1	151474-001	
13	Screw Skruv; Schraube; Vis	1	22412	
14	Handle Handtag; Handgriff; Poignée.	1	151460	

5510-017



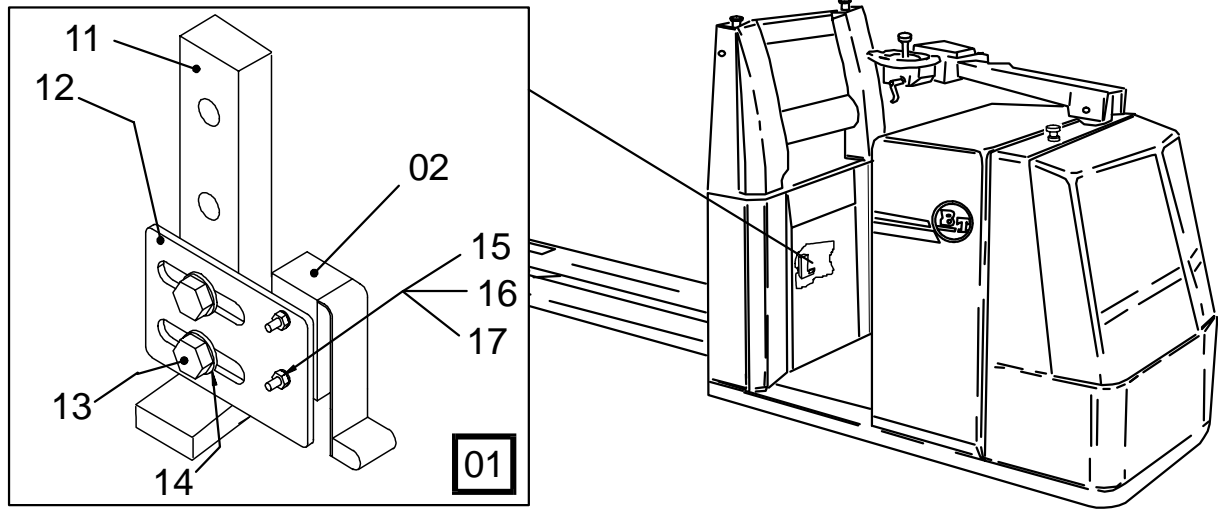
5510-017 Work function micro switches, potentiometers

[1996-09-10]

Arbetsfunktionsbrytare/-potentiometer; Schalter/Potentiometer Arbeitsfunktion; Rupteurs (switches)/ potentiomètres

			346 OS 3.0	289679 -
Pos	Description	Pcs	Part No	Note
11	Push-button Tryckknapp; Druckknopf; Bouton	2	151221	
12	Micro switch Mikrobrytare; Mikroschalter; Interrupteurs	2	149794	
13	Push-button Tryckknapp; Druckknopf; Bouton	2	28235	Cold stores Fryshus; Gefrieranlage; Chambre frigorifique
14	Contact device Kontaktblock; Kontakteinheit; Unite de contact	2	25624	Cold stores Fryshus; Gefrieranlage; Chambre frigorifique

## 5820-011



## 5820-011 Lift/lowering/reach movement probes/sensors

[1999-04-06]

Lyft-/sänk-/skjutrörelse-givare/-sensor; Hub-/Senk-/Schubgeber/-sensor; Capteurs de levage/descente/rétraction

			346 OS 3.0	336996 -
Pos	Description	Pcs	Part No	Note
01	Limit switch(Complete) Gränslägesbrytare(Komplett); Grenzschalter(Komplett); Limiteur de course(Complett)	1	143559	
02	Micro switch Mikrobrytare; Mikroschalter; Interrupteurs	1	21811	
11	Bracket Fäste; Halterung; Support	1	148146	
12	Bracket Fäste; Halterung; Support	1	145314	
13	Screw Skruv; Schraube; Vis	2	20031	
14	Washer Bricka; Scheibe; Rondelle	2	20404	
15	Screw Skruv; Schraube; Vis	2	20720	
16	Washer Bricka; Scheibe; Rondelle	2	22417	
17	Nut Mutter; Mutter; Ecrou	2	20255	



CLICK HERE TO **DOWNLOAD** THE COMPLETE MANUAL

- Thank you very much for reading the preview of the manual.
- You can download the complete manual from: [www.heydownloads.com](http://www.heydownloads.com) by clicking the link below



- Please note: If there is no response to CLICKING the link, please download this PDF first and then click on it.

CLICK HERE TO **DOWNLOAD** THE COMPLETE MANUAL