

Quality Parts

OS 3.0

Valid for machine number..... 336996AA-

Only valid for machine number.....

--	--	--	--	--	--	--	--

Ordering number..... 170115

Date 1999-04-12 / ESDF

Language..... GB; SE; DE; FR

CLICK HERE TO **DOWNLOAD** THE COMPLETE MANUAL

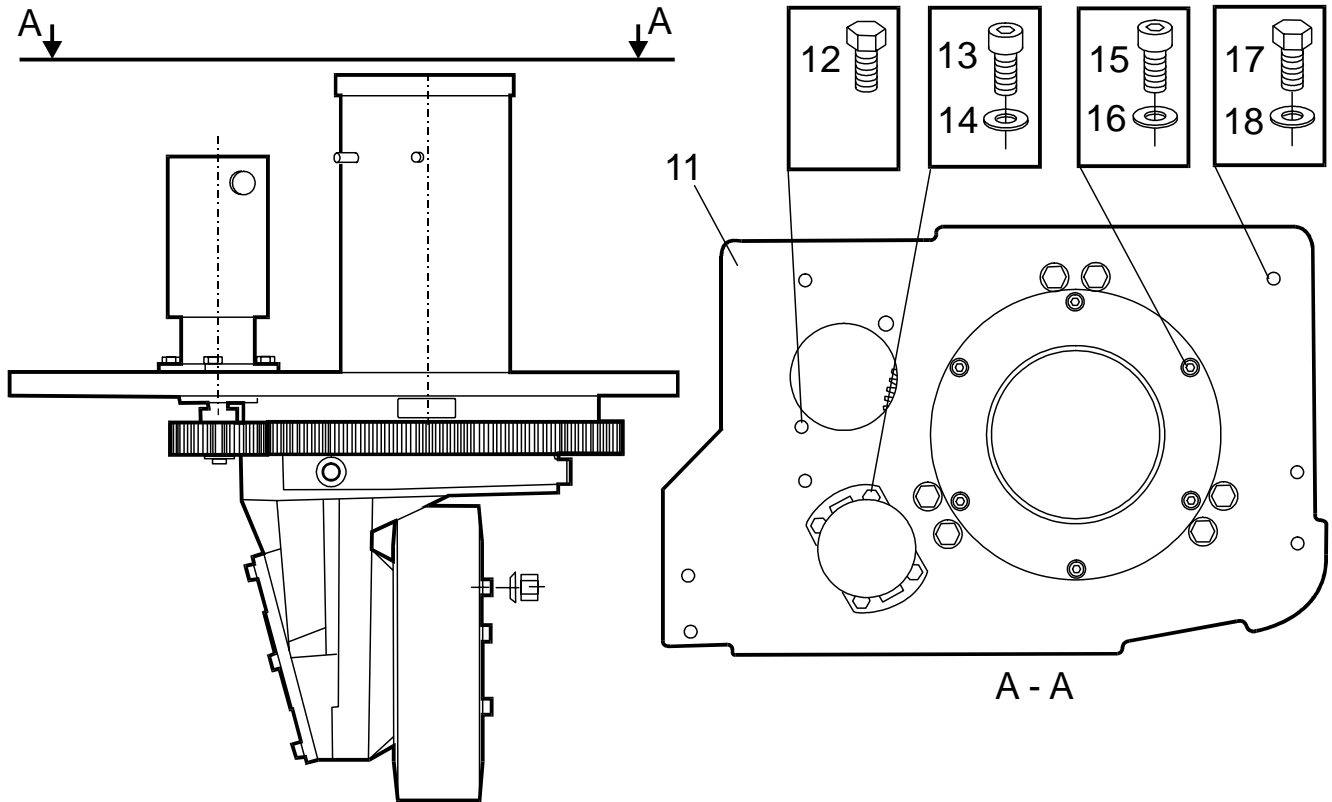
- Thank you very much for reading the preview of the manual.
- You can download the complete manual from: www.heydownloads.com by clicking the link below



- Please note: If there is no response to CLICKING the link, please download this PDF first and then click on it.

CLICK HERE TO **DOWNLOAD** THE COMPLETE MANUAL

0450-025



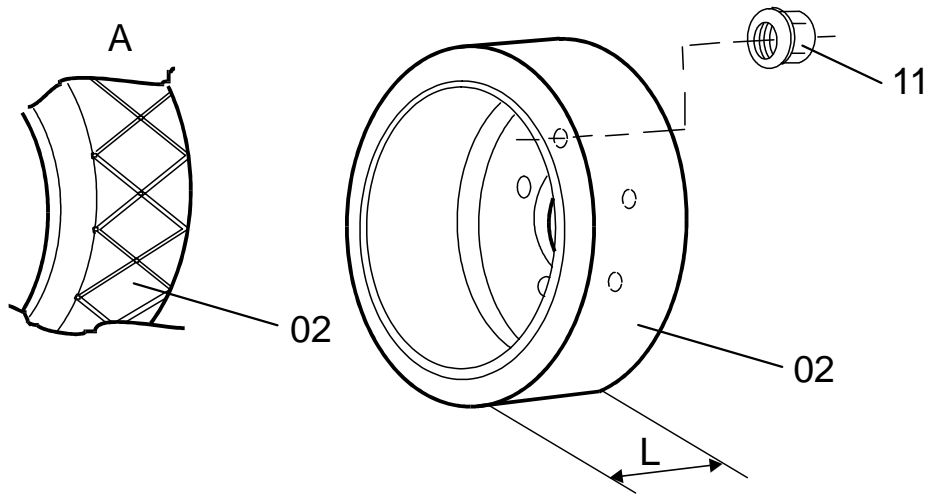
0450-025 Motor fixation points

[1999-03-30]

Motoruphängning/fästen; Motoraufhängung / Halterung; Points de fixation moteur

Steering arm with servo; Manöverarmsstyrning med servo; Steuerarm mit servo; Bras de manoeuvre, servo			346 OS 3.0	325962 -
Pos	Description	Pcs	Part No	Note
11	Plate Plåt; Platte; Plaque	1	166314	
12	Screw Skruv; Schraube; Vis	1	21816	
13	Screw Skruv; Schraube; Vis	4	21141	
14	Washer Bricka; Scheibe; Rondelle	4	20404	
15	Screw Skruv; Schraube; Vis	6	21141	
16	Washer Bricka; Scheibe; Rondelle	6	20404	
17	Screw Skruv; Schraube; Vis	7	20338	
18	Washer Bricka; Scheibe; Rondelle	7	20228	

3530-015

**3530-015 Drive wheel**

Drivhjul; Antriebsrad; Roue motrice

[1998-03-24]

			346 OS 3.0	315966 -
Pos	Description	Pcs	Part No	Note
02	Drive wheel Drivhjul; Antriebsrad; Roue entrainement	1	135161	Electrical steering, L = 105 mm Elektrisk styrning, L = 105 mm; Elektrisch Steuerung, L = 105 mm; Direction mécanique, L = 105 mm
02	Drive wheel(Vulkollan) Drivhjul; Antriebsrad; Roue entrainement	1	138457	L = 75 mm
02	Drive wheel Drivhjul; Antriebsrad; Roue entrainement	1	139941	Electrical steering, Grooved, L = 105 mm Elektrisk styrning, Sajpad, L = 105 mm; Elektrisch Steuerung, Gemusten, L = 105 mm; Direction mécanique, Sculpture, L = 105 mm
02	Drive wheel(Vulkollan) Drivhjul; Antriebsrad; Roue entrainement	1	146061-001	A = Grooved, L = 75 mm A = Sajpad, L = 75 mm; A = Gemustert, L = 75 mm; A = Sculpture, L = 75 mm
02	Drive wheel(Tractothan) Drivhjul; Antriebsrad; Roue entrainement	1	146061-002	A = Grooved, L = 75 mm A = Sajpad, L = 75 mm; A = Gemustert, L = 75 mm; A = Sculpture, L = 75 mm
02	Drive wheel(Tractothan) Drivhjul; Antriebsrad; Roue entrainement	1	153874	L = 75 mm
11	Nut Mutter; Mutter; Ecou	5	29875	

CLICK HERE TO **DOWNLOAD** THE COMPLETE MANUAL

- Thank you very much for reading the preview of the manual.
- You can download the complete manual from: www.heydownloads.com by clicking the link below



- Please note: If there is no response to CLICKING the link, please download this PDF first and then click on it.

CLICK HERE TO **DOWNLOAD** THE COMPLETE MANUAL

4120-009 Steering axle / gear

[1999-03-30]

Styrväxel, styrrör/axel (styrssystem); Lenkerohr / achse, lenkgetribe; Colonne direction et pignon

Steering arm without servo; Manöverarmsstyrning utan servo; Steuerarm ohne servo; Bras de manoeuvre sans servo		346 OS 3.0	336996 -	
Pos	Description	Pcs	Part No	Note
11	Steering pipe Styrrör; Steuerrohr; Tube de direction	1	147503	
12	Bearing Lager; Lager; Roulement	2	150787	
13	Consol Konsol; Konsole; Console	1	144082	
14	Distance piece Distans; Distanz; Distance	1	140785	
15	Locking ring Spårring; Schliessring; Circlip	1	23233	
16	Key Kil; Keil; Clavette	1	23514	
17	Chain wheel Kedjehjul; Kettenrad; Roue de chaine	1	138391	
18	Steering gear(Complete) Styrväxel(Komplett); Lenkgetriebe(Komplett); Bötier de direction(Complett)	1	141861	
19	Locking ring Spårring; Schliessring; Circlip	1	20019	
20	Chain wheel Kedjehjul; Kettenrad; Roue de chaine	1	141860	
21	Washer Bricka; Scheibe; Rondelle	1	20367	
22	Ball bearing Kullager; Kugellager; Roulement a billes	1	20906	
23	Consol Konsol; Konsole; Console	1	141856	
24	Axle Axel; Achse; Axe	1	141859	
25	Ball bearing Kullager; Kugellager; Roulement a billes	1	20906	
26	Distance piece Distans; Distanz; Distance	1	24115	
27	Key Kil; Keil; Clavette	1	26547	
28	Chain wheel Kedjehjul; Kettenrad; Roue de chaine	1	141855	
29	Locking ring Spårring; Schliessring; Circlip	1	20019	
30	Screw Skruv; Schraube; Vis	2	29695	
31	Screw Skruv; Schraube; Vis	4	20078	
32	Washer Bricka; Scheibe; Rondelle	4	42993	

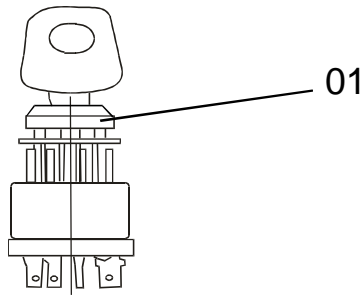
4310-003 Electric steering wheel/lever

[1999-03-30]

Elektr. ratt/-spakstyrning; Elektro-lenkrad/-hebellenkung; Timon, volant, levier de direction

Steering wheel system; Rattstyrning; Lenkrad steuerung; Volant de direction		346 OS 3.0	336996 -	
Pos	Description	Pcs	Part No	Note
11	Screw Skruv; Schraube; Vis	9	29918	
12	Nut Mutter; Mutter; Ecrou	9	29917	
13	House Kåpa; Haus; Chape	1	157001-001	
13	House Kåpa; Haus; Chape	1	157001-002	Cold stores Fryshus; Gefrieranlage; Chambre frigorifique
14	Gas suspension(800 Newton) Gasfjäder; Gasfederung; Suspension à gaz	1	150580	
14	Gas suspension(500 Newton) Gasfjäder; Gasfederung; Suspension à gaz	1	151472	
15	Bracket Fäste; Halterung; Support	1	152857	
16	Lever Spak; Hebel; Levier	1	152856	
17	Axle Axel; Achse; Axe	2	151471	
17	Axle Axel; Achse; Axe	2	152847	Cold stores Fryshus; Gefrieranlage; Chambre frigorifique
18	Locking ring Spärring; Schliessring; Circlip	4	21439	
19	Protection Skydd; Schutz; Protègee	1	151467	
20	Arm(A = 225 mm) Arm; Arm; Bras	1	151465-001	
20	Arm(A = 295 mm) Arm; Arm; Bras	1	151465-002	
20	Arm(A = 365 mm) Arm; Arm; Bras	1	151465-003	
21	House(C = 203 mm) Kåpa; Haus; Chape	1	152852-001	
21	House(C = 273 mm) Kåpa; Haus; Chape	1	152852-002	
21	House(C = 343 mm) Kåpa; Haus; Chape	1	152852-003	
22	Screw Skruv; Schraube; Vis	1	29895	
23	Screw Skruv; Schraube; Vis	1	22995	
24	Handle Handtag; Handgriff; Poignée.	1	152837	
25	Screw Skruv; Schraube; Vis	2	20333	
26	Bellows Bålg; Balg; Soufflet	1	151474-002	
27	House Kåpa; Haus; Chape	1	152851	
28	Nut Mutter; Mutter; Ecrou	1	20096	
29	Washer Bricka; Scheibe; Rondelle	1	20404	
30	Distance piece Distans; Distanz; Distance	1	54731	
31	Lever Spak; Hebel; Levier	1	142422-008	
32	Bush Bussning; Bague; Bague	2	140177	

5310-003

**5310-003 Start/stop switch**

[1996-05-21]

Start/stoppströmställare; Schalter Fahren/Anhalten; Interrupteurs depart/arret

Pos	Description	Pcs	Part No	Note
01	Ignition switch Startlås; Zündschloss; Contact-démarrreur	1	28555	

5390-106 Control cables / harnesses

[1999-03-31]

Manöverkablage; Steuerstromkabel / verkabelung; Câblage de commande

Steering arm; Manöverarmsstyrning; Steuerarm; Bras de manoeuvre			346 OS 3.0	336996 -
Pos	Description	Pcs	Part No	Note
11	Wiring harness Kablage; Kabelsatz; Câblage	1	142570	
11	Wiring harness(Cold stores) Kablage(Fryshus); Kabelsatz(Gefrieranlage); Câblage(Chambre frigorifique)	1	147953	
12	Screw Skruv; Schraube; Vis	3	29481	
13	Clamp Klamma; Rohrschelle; Collier	3	20942	
14	Bracket Fäste; Halterung; Support	3	129399	
15	Wiring harness Kablage; Kabelsatz; Câblage	1	160629	Main Huvud; Haupt; Principal
16	Wiring harness Kablage; Kabelsatz; Câblage	1	156922	
17	Wiring harness Kablage; Kabelsatz; Câblage	1	145774	Driver lift Föraryft; Aufheben Führer; Radeau de soulèvement, conducteur
18	Wiring harness Kablage; Kabelsatz; Câblage	1	156578	
19	Wiring harness Kablage; Kabelsatz; Câblage	1	156641	
20	Wiring harness Kablage; Kabelsatz; Câblage	2	156640	
21	Clamp Klamma; Rohrschelle; Collier	3	20942	
22	Fuse(10A) Säkring; Sicherung; Fusible	1	122308-100	
23	Fuse(7,5A) Säkring; Sicherung; Fusible	1	122308-075	
24	Fuse holder Säkringshållare; Sicherungshalter; Porte-fusibles	4	135421	
25	Nit Nit; Niet; Rivet	1	28959	
26	Bracket Fäste; Halterung; Support	1	135422	
27	Wiring harness(Sliding bow) Kablage(Bygling); Kabelsatz(Bügel kontakt); Câblage(Crampon électrique)	1	165868	Steering arm with servo Manöverarmsstyrning med servo; Steuerarm mit servo; Bras de manoeuvre, servo
28	Fuse(20A) Säkring; Sicherung; Fusible	2	122308-200	Steering arm with servo Manöverarmsstyrning med servo; Steuerarm mit servo; Bras de manoeuvre, servo
29	Wiring harness Kablage; Kabelsatz; Câblage	1	170639	Steering arm with servo Manöverarmsstyrning med servo; Steuerarm mit servo; Bras de manoeuvre, servo
30	Plate Plåt; Platte; Plaque	1	166316	
31	Screw Skruv; Schraube; Vis	2	28545	
32	Washer Bricka; Scheibe; Rondelle	6	20375	
33	Screw Skruv; Schraube; Vis	2	28329	
34	Clamp(Rubber) Klamma(Gummi); Rohrschelle(Gummi); Collier(Gomme)	1	29728	

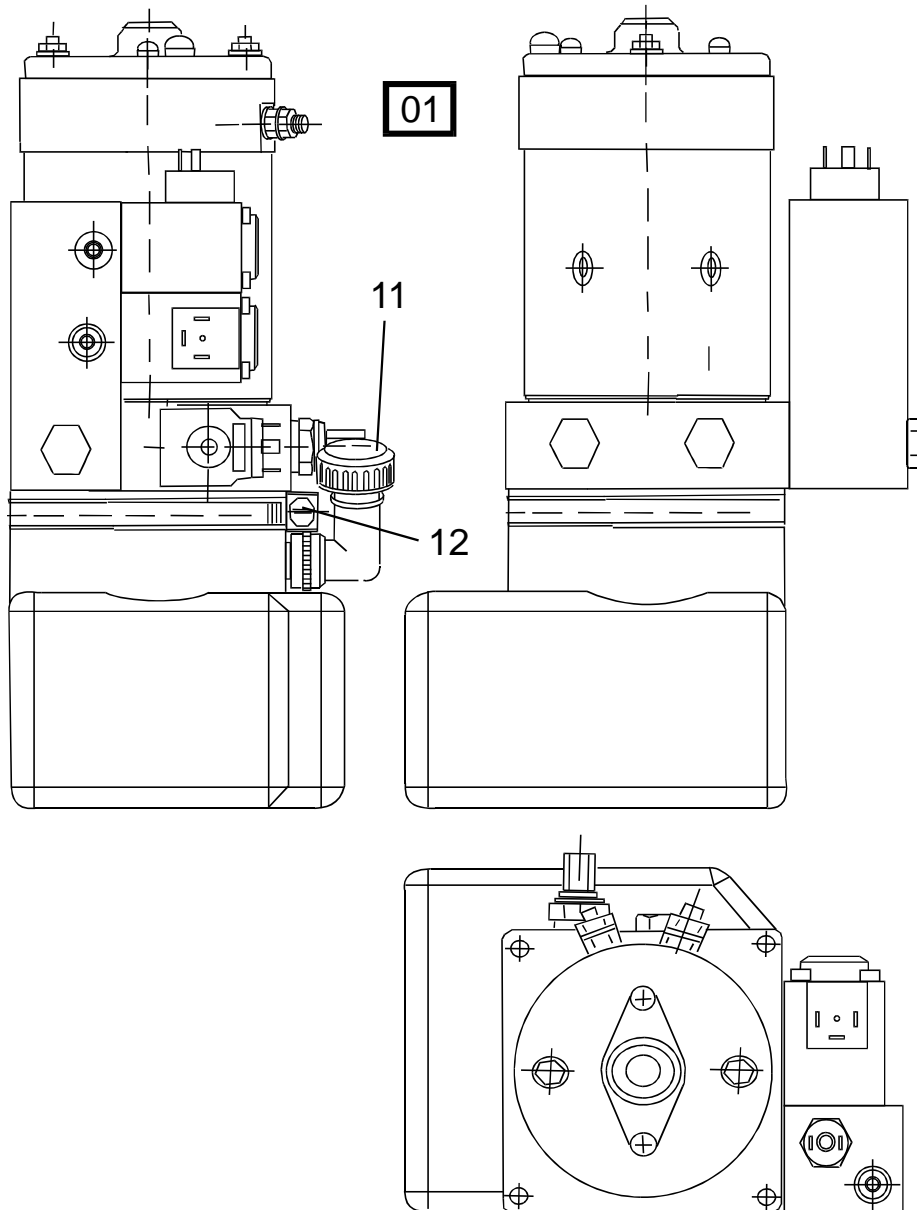
5680-025 Motor/Battery cables

[1998-08-14]

Motor/batterikablar; Motor/batterieverkabelung; Cables moteur/batterie

Steering wheel; Ratt; lenkrad; Volant			346 OS 3.0	325962 -
Pos	Description	Pcs	Part No	Note
11	Cable(40) Kabel; Kabel; Câble	1	140819	
12	Cable(3) Kabel; Kabel; Câble	1	142735	
13	Connector with cable complete Handske med kabel komplett; Stromstecker mit Kabel komplett.; Connection fiche avec câble complete.	1	166283	
14	Connector socket Kabelhandske; Leistungverbinder; Connexion socle.	1	128373	
15	Connector with cable complete Handske med kabel komplett; Stromstecker mit Kabel komplett.; Connection fiche avec câble complete.	1	166286	
16	Connector socket Kabelhandske; Leistungverbinder; Connexion socle.	1	128373	
17	Screw Skruv; Schraube; Vis	2	26956	
18	Nut Mutter; Mutter; Ecrou	2	26957	
19	Handle Handtag; Handgriff; Poignée.	1	105116	
20	Cable(-) Kabel; Kabel; Câble	1	166285	
21	Cable(+) Kabel; Kabel; Câble	1	166284	
22	Screw Skruv; Schraube; Vis	4	20871	
23	Washer Bricka; Scheibe; Rondelle	4	20375	
24	Nut Mutter; Mutter; Ecrou	4	20433	

6100-024



6100-024 Hydraulic unit

Hydraulikaggregat; Hydraulikaggregat; Unite hydraulique

[1997-08-20]

Pos	Description	Pcs	Part No	Note
Driver lift; Förarlyft; Aufheben Führer; Radeau de soulèvement, conducteur			346 OS 3.0	305139 -
01	Hydraul unit(Complete) Hydraulenhet(Komplett); Hydraulikeinheit(Komplett); Unite hydraulique(Complett)	1	160315	
11	Cap Lock; Deckel; Couvercle	1	143380	
12	Clamp Klamma; Rohrschelle; Collier	1	143381	

CLICK HERE TO **DOWNLOAD** THE COMPLETE MANUAL

- Thank you very much for reading the preview of the manual.
- You can download the complete manual from: www.heydownloads.com by clicking the link below



- Please note: If there is no response to CLICKING the link, please download this PDF first and then click on it.

CLICK HERE TO **DOWNLOAD** THE COMPLETE MANUAL