

## Quality Parts

OS 2.0 TRINKS

Valid for machine number..... 325962AA-

Only valid for machine number..... 

|  |  |  |  |  |  |  |  |
|--|--|--|--|--|--|--|--|
|  |  |  |  |  |  |  |  |
|--|--|--|--|--|--|--|--|

Ordering number..... 165544

Date ..... 1998-09-23 / BDF

Language..... GB; SE; DE; FR

CLICK HERE TO **DOWNLOAD** THE COMPLETE MANUAL

- Thank you very much for reading the preview of the manual.
- You can download the complete manual from: [www.heydownloads.com](http://www.heydownloads.com) by clicking the link below



- Please note: If there is no response to CLICKING the link, please download this PDF first and then click on it.

CLICK HERE TO **DOWNLOAD** THE COMPLETE MANUAL

## **9000 Optionals / attachments**

Tillbehör / extra utrustning; Zubehör / zusatzausrüstung; Options

### **9130-006 Working cage**

Arbetskorg; Arbeitskorb; Nacelle

### **9400-005 Extra electrical equipment**

Extra elektrisk utrustning; Zusatzausrüstung Elektroanlage; Equipement electr. supplementaire

### **9500-032 Extra mechanical equipment**

Extra utrustning övrigt; Zusatzausrüstung Sonstiges; Equip. mecanique supplementaire

### **9500-037 Extra mechanical equipment**

Extra utrustning övrigt; Zusatzausrüstung Sonstiges; Equip. mecanique supplementaire

### **9500-038 Extra mechanical equipment**

Extra utrustning övrigt; Zusatzausrüstung Sonstiges; Equip. mecanique supplementaire

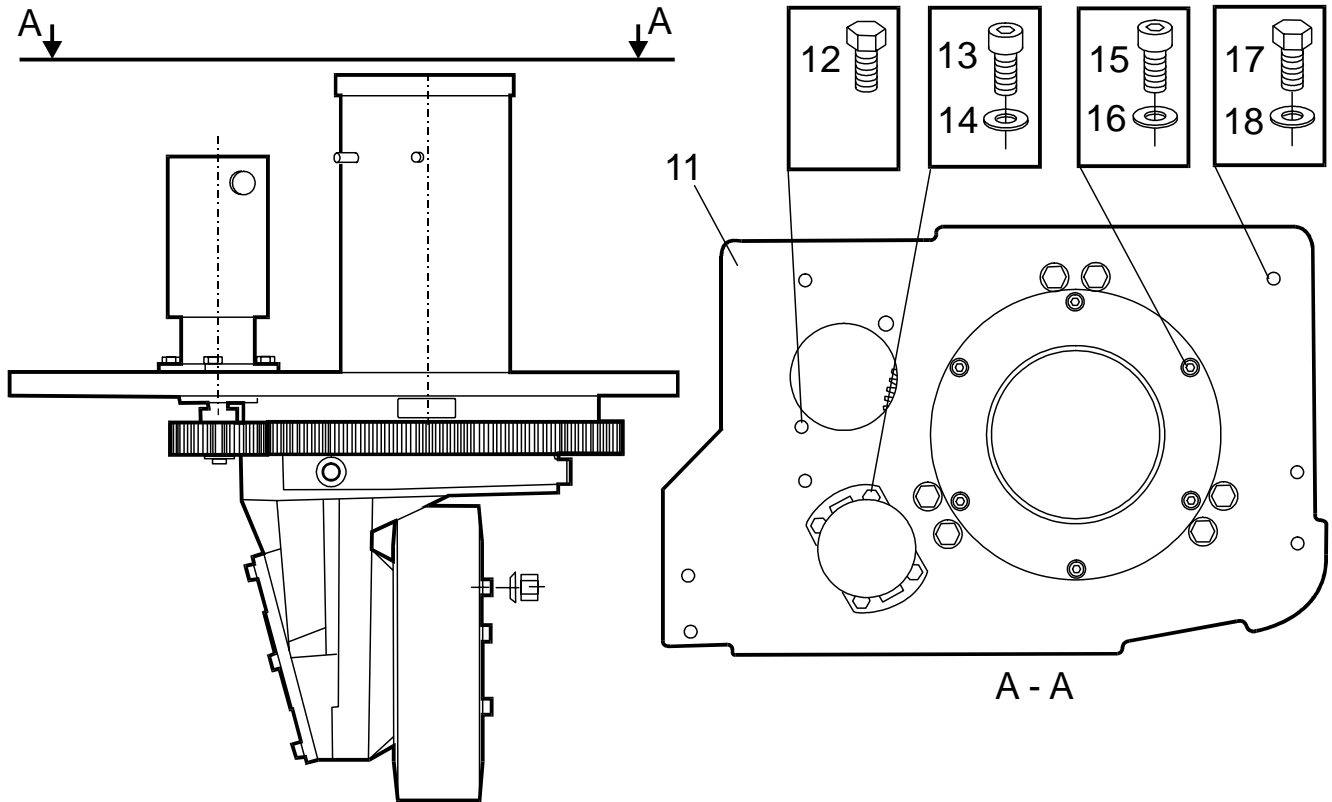
### **9500-062 Extra mechanical equipment**

Extra utrustning övrigt; Zusatzausrüstung Sonstiges; Equip. mecanique supplementaire

### **9550-003 Battery changing equipment**

Batteribytesanordning; Batteriewechselsvorrichtung; Changer de batterie

0450-025



0450-025 Motor fixation points

[1998-08-25]

Motoruphängning / fästen; Motoraufhängung / Halterung; Points de fixation moteur

| Steering arm with servo; Manöverarmsstyrning med servo; Steuerarm mit servo; Bras de manoeuvre, servo |                                     |     | 344 OS 2.0 TRINKS | 325962 - |
|---|-------------------------------------|-----|-------------------|----------|
| Pos   | Description                         | Pcs | Part No           | Note     |
| 11  | Plate<br>Plåt; Platte; Plaque       | 1   | 166314            |          |
| 12  | Screw<br>Skruv; Schraube; Vis       | 1   | 21816             |          |
| 13  | Screw<br>Skruv; Schraube; Vis       | 4   | 21141             |          |
| 14  | Washer<br>Bricka; Scheibe; Rondelle | 4   | 20404             |          |
| 15  | Screw<br>Skruv; Schraube; Vis       | 6   | 21141             |          |
| 16  | Washer<br>Bricka; Scheibe; Rondelle | 6   | 21275             |          |
| 17  | Screw<br>Skruv; Schraube; Vis       | 7   | 20338             |          |
| 18  | Washer<br>Bricka; Scheibe; Rondelle | 7   | 20228             |          |

**1700-017 Electrical drive motor**

[1997-08-15]

Elektrisk drivmotor; Elektrofahrmotor; Moteur électrique

|     |  |     | 344 OS 2.0 TRINKS | 289679 - |
|-----|--|-----|-------------------|----------|
| Pos | Description  | Pcs | Part No           | Note     |
| 01  | Motor(Complete)<br>Motor(Komplett); Motor(Komplett); Moteur(Complet)                                       | 1   | 160606            |          |
| 02  | Carbon brush<br>Kolborste; Kohlebürste; Charbon  | 4   | 152973            |          |
| 03  | Brush bridge(Complete)<br>Borstbrygga(Komplett); Bürstenbrücke(Komplett); Support de porte balais(Complet) | 1   | 143820            |          |
| 09  | Rotor<br>Rotor; Rotor; Rotor   | 1   | 151429            |          |
| 10  | Stator<br>Stator; Ständer; Stator  | 1   | 143816            |          |
| 11  | Key<br>Kil; Keil; Clavette   | 1   | 21132             |          |
| 12  | Screw<br>Skruv; Schraube; Vis  | 4   | 26652             |          |
| 13  | Locking ring<br>Spärring; Schliessring; Circlip  | 2   | 29515             |          |
| 14  | Ball bearing<br>Kullager; Kugellager; Roulement a billes   | 1   | 28885             |          |
| 15  | Ring<br>Ring; Ring; Bague  | 1   | 143821            |          |
| 16  | End shield<br>Lagersköld; Lagerschild; Bouclier  | 1   | 143819            |          |
| 17  | Screw<br>Skruv; Schraube; Vis  | 8   | 20831             |          |
| 18  | Spring<br>Fjäder; Feder; Ressort   | 8   | 143814            |          |
| 19  | Screw<br>Skruv; Schraube; Vis  | 8   | 25064             |          |
| 20  | Washer<br>Bricka; Scheibe; Rondelle  | 8   | 21307             |          |
| 21  | Screw<br>Skruv; Schraube; Vis  | 6   | 20743             |          |
| 22  | Fan<br>Fläkt; Kühlgebläse; Ventilateur   | 1   | 148190            |          |
| 23  | Expanding sleeve<br>Spännbussning; Dehningshülse; Douille expansion  | 1   | 143813            |          |
| 24  | Sealing<br>Tätning; Dichtung; Joint  | 1   | 28884             |          |
| 25  | Locking ring<br>Spärring; Schliessring; Circlip  | 1   | 20923             |          |
| 26  | Key<br>Kil; Keil; Clavette   | 1   | 20150             |          |
| 27  | Ball bearing<br>Kullager; Kugellager; Roulement a billes   | 1   | 26102             |          |
| 28  | Locking ring<br>Spärring; Schliessring; Circlip  | 1   | 20019             |          |
| 29  | End shield<br>Lagersköld; Lagerschild; Bouclier  | 1   | 143818            |          |
| 30  | O-ring<br>O-ring; O-ring; Joint torique  | 1   | 29453             |          |
| 31  | Plug<br>Propp; Pfropfen; Bouchon   | 7   | 148206            |          |
| 32  | Pipe<br>Rör; Rohr; Tube  | 1   | 150007            |          |

**3110-005 Brake controls, brake system**

[1996-09-05]

Bromsreglage, färdbrömsssystem; Bremsregelung, Betriebsbremssystem; Commandes, système de freinage

|     |  |     | 344 OS 2.0 TRINKS | 289679 -   |
|-----|--|-----|-------------------|--|
| Pos | Description  | Pcs | Part No           | Note   |
| 11  | <b>Brake control complete</b><br>Bromsreglage komplett; Bremsregler komplett; Levier de frein complete | 1   | 152834            | <b>Cold stores</b><br>Fryshus; Gefrieranlage; Chambre frigorifique |
| 11  | <b>Brake control complete</b><br>Bromsreglage komplett; Bremsregler komplett; Levier de frein complete | 1   | 152845            |  |
| 12  | <b>Lever</b><br>Spak; Hebel; Levier  | 1   | 151473            |  |
| 13  | <b>Bellows(Rubber)</b><br>Bälg(Gummi); Balg(Gummi); Soufflet(Gomme)                                    | 1   | 151474-001        |  |
| 14  | <b>Nut</b><br>Mutter; Mutter; Ecrou  | 1   | 20396             |  |
| 15  | <b>Locking ring</b><br>Spårring; Schliessring; Circlip   | 1   | 20885             |  |
| 16  | <b>Washer</b><br>Bricka; Scheibe; Rondelle   | 1   | 23630             |  |
| 17  | <b>Washer</b><br>Bricka; Scheibe; Rondelle   | 1   | 152831            |  |
| 18  | <b>Washer</b><br>Bricka; Scheibe; Rondelle   | 1   | 23630             |  |
| 19  | <b>Locking pin</b><br>Spännstift; Spannstift; Goupille   | 1   | 20144             |  |
| 20  | <b>Spring</b><br>Fjäder; Feder; Ressort  | 1   | 142491            |  |
| 21  | <b>Bracket</b><br>Fäste; Halterung; Support  | 1   | 152832            |  |



CLICK HERE TO **DOWNLOAD** THE COMPLETE MANUAL

- Thank you very much for reading the preview of the manual.
- You can download the complete manual from: [www.heydownloads.com](http://www.heydownloads.com) by clicking the link below

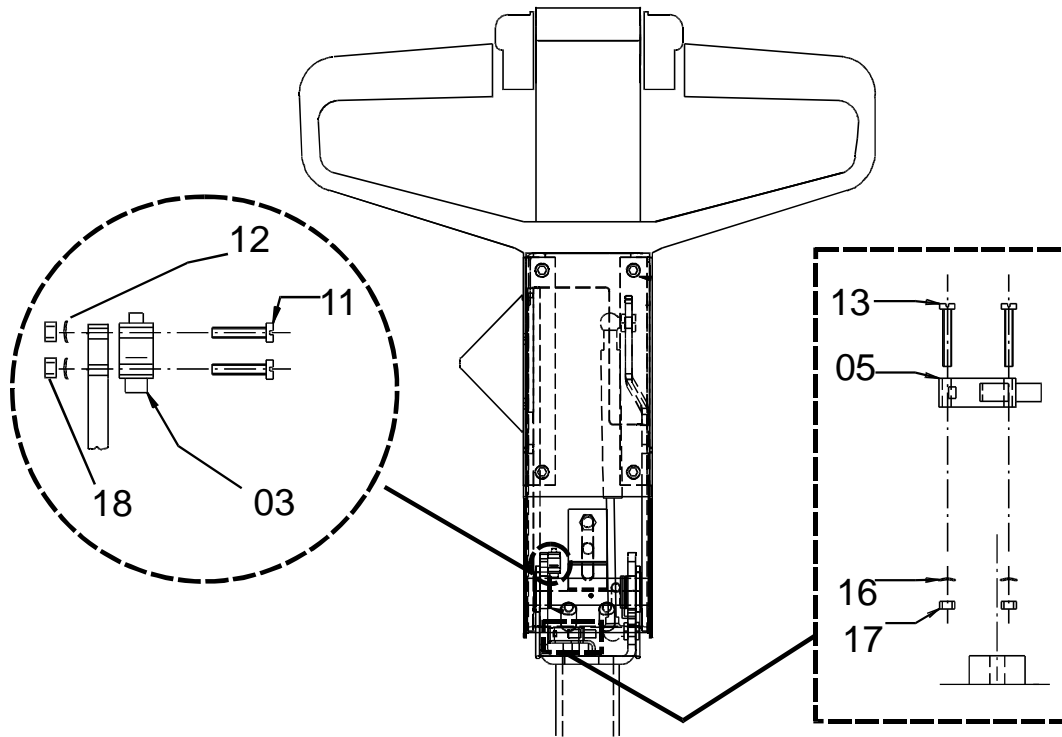


- Please note: If there is no response to CLICKING the link, please download this PDF first and then click on it.

CLICK HERE TO **DOWNLOAD** THE COMPLETE MANUAL



## 5310-008



## 5310-008 Start/stop switch

Start/stopströmställare; Schalter Fahren/Anhalten; Interrupteurs depart/arret

[1996-09-09]

|     |   |     | 344 OS 2.0 TRINKS | 282237 - |
|-----|---|-----|-------------------|----------|
| Pos | Description   | Pcs | Part No           | Note     |
| 03  | Switch<br>Brytare; Schalter; Rupteur  | 1   | 143171            |          |
| 03  | Switch(Cold stores)<br>Brytare(Fryshus); Schalter(Gefrieranlage); Rupteur(Chambre frigorifique) | 1   | 148039            |          |
| 05  | Switch<br>Brytare; Schalter; Rupteur  | 1   | 143171            |          |
| 05  | Switch(Cold stores)<br>Brytare(Fryshus); Schalter(Gefrieranlage); Rupteur(Chambre frigorifique) | 1   | 148039            |          |
| 11  | Screw<br>Skruv; Schraube; Vis   | 2   | 22256             |          |
| 12  | Washer<br>Bricka; Scheibe; Rondelle   | 2   | 21392             |          |
| 13  | Screw<br>Skruv; Schraube; Vis   | 2   | 21438             |          |
| 16  | Washer<br>Bricka; Scheibe; Rondelle   | 2   | 21392             |          |
| 17  | Nut<br>Mutter; Mutter; Ecrou  | 2   | 20255             |          |
| 18  | Nut<br>Mutter; Mutter; Ecrou  | 2   | 20255             |          |

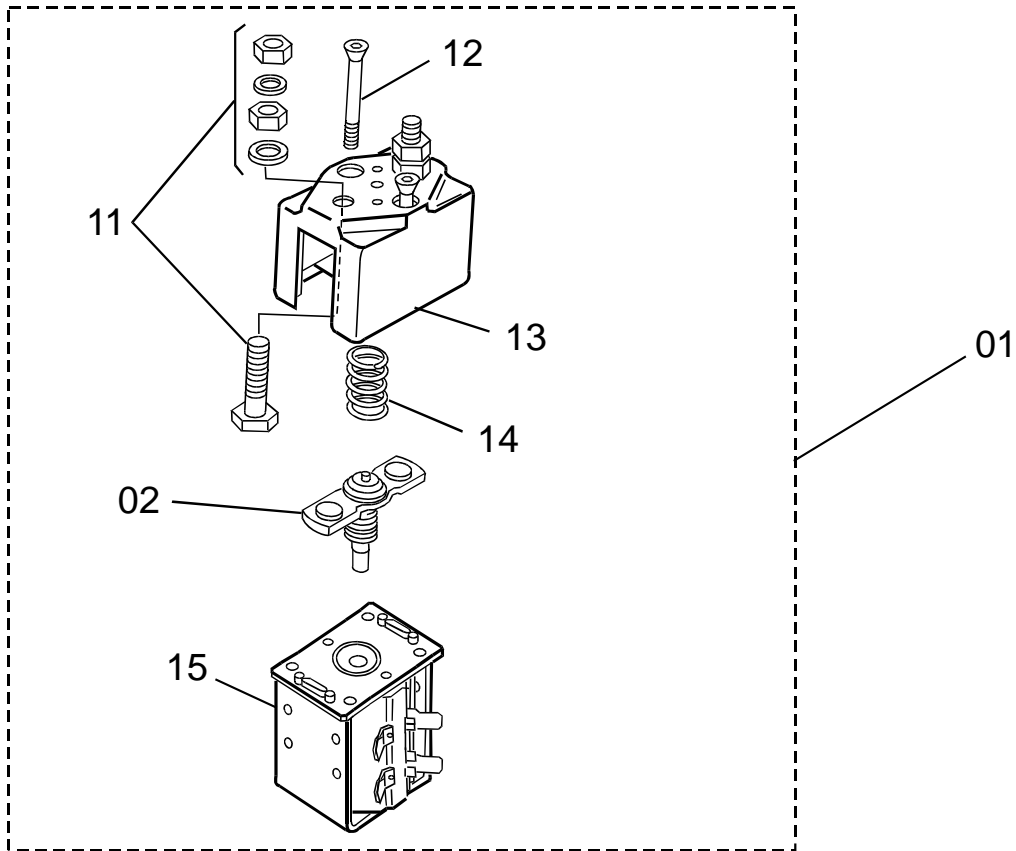
**5390-079 Control cables / harnesses**

[1998-08-31]

Manöverkablage; Steuerstromkabel / verkabelung; Câblage de commande

| Steering arm; Manöverarmsstyrning; Steuerarm; Bras de manoeuvre |  |     | 344 OS 2.0 TRINKS | 325962 -   |
|---|--|-----|-------------------|--|
| Pos   | Description  | Pcs | Part No           | Note   |
| 11  | Wiring harness<br>Kablage; Kabelsatz; Câblage  | 1   | 142570            |  |
| 11  | Wiring harness(Cold stores)<br>Kablage(Fryshus); Kabelsatz(Gefrieranlage); Câblage(Chambre frigorifique) | 1   | 147953            |  |
| 12  | Screw<br>Skruv; Schraube; Vis  | 3   | 29481             |  |
| 13  | Clamp<br>Klamma; Rohrschelle; Collier  | 3   | 20942             |  |
| 14  | Bracket<br>Fäste; Halterung; Support   | 3   | 129399            |  |
| 15  | Wiring harness<br>Kablage; Kabelsatz; Câblage  | 1   | 160629            | Main<br>Huvud; Haupt; Principal  |
| 16  | Wiring harness<br>Kablage; Kabelsatz; Câblage  | 1   | 156922            |  |
| 17  | Wiring harness<br>Kablage; Kabelsatz; Câblage  | 1   | 145774            | Driver lift<br>Föraryft; Aufheben Führer; Radeau de soulèvement, conducteur                                |
| 18  | Wiring harness<br>Kablage; Kabelsatz; Câblage  | 1   | 156578            |  |
| 19  | Wiring harness<br>Kablage; Kabelsatz; Câblage  | 1   | 156641            |  |
| 20  | Wiring harness<br>Kablage; Kabelsatz; Câblage  | 2   | 156640            |  |
| 21  | Clamp<br>Klamma; Rohrschelle; Collier  | 3   | 20942             |  |
| 22  | Fuse(10A)<br>Säkring; Sicherung; Fusible   | 1   | 122308-100        |  |
| 23  | Fuse(7,5A)<br>Säkring; Sicherung; Fusible  | 1   | 122308-075        |  |
| 24  | Fuse holder<br>Säkringshållare; Sicherungshalter; Porte-fusibles   | 3   | 135421            |  |
| 25  | Nit<br>Nit; Niet; Rivet  | 1   | 28959             |  |
| 26  | Bracket<br>Fäste; Halterung; Support   | 1   | 135422            |  |
| 27  | Wiring harness(Sliding bow)<br>Kablage(Bygling); Kabelsatz(Bügel kontakt); Câblage(Crampon électrique)   | 1   | 165868            | Steering arm with servo<br>Manöverarmsstyrning med servo;<br>Steuerarm mit servo; Bras de manoeuvre, servo |
| 28  | Fuse(20A)<br>Säkring; Sicherung; Fusible   | 1   | 122308-200        | Steering arm with servo<br>Manöverarmsstyrning med servo;<br>Steuerarm mit servo; Bras de manoeuvre, servo |
| 29  | Wiring harness<br>Kablage; Kabelsatz; Câblage  | 1   | 164779            | Steering arm with servo<br>Manöverarmsstyrning med servo;<br>Steuerarm mit servo; Bras de manoeuvre, servo |
| 30  | Plate<br>Plåt; Platte; Plaque  | 1   | 166316            |  |
| 31  | Nut<br>Mutter; Mutter; Ecrou   | 2   | 20433             |  |
| 32  | Washer<br>Bricka; Scheibe; Rondelle  | 6   | 20375             |  |
| 33  | Screw<br>Skruv; Schraube; Vis  | 2   | 20750             |  |

5610-007



5610-007 Pump contactor

Pumpkontaktor; Schütz (pumpenmotor); Contacteur de pompe

[1997-08-18]

|     |  |     | 344 OS 2.0 TRINKS | 305139 - |
|-----|--|-----|-------------------|----------|
| Pos | Description  | Pcs | Part No           | Note     |
| 01  | Contactor<br>Kontaktor; Kontaktor; Contacteur  | 1   | 154548            |          |
| 02  | Contact<br>Kontakt; Kontakt; Contact   | 1   | 154553            |          |
| 11  | Fixed contact(Complete)<br>Fast kontakt(Komplett); Fester Kontakt(Komplett); Contact fixé(Complet) | 2   | 154551            |          |
| 12  | Screw<br>Skruv; Schraube; Vis  | 2   | 154549            |          |
| 13  | House<br>Kåpa; Haus; Chape   | 1   | 154550            |          |
| 14  | Spring<br>Fjäder; Feder; Ressort   | 1   | 154552            |          |
| 15  | Magnetic coil<br>Magnetspole; Magnetspule; Bobine électrique                                       | 1   | 154554            |          |

## 5750-078 Safety / position / switches / sensors

[1998-08-12]

Skydds- / läges- / brytare / givare; Schutz- / Positions- / Schalter / Geber; Capteur securite

|     |  |     | 344 OS 2.0 TRINKS | 325962 - |
|-----|--|-----|-------------------|----------|
| Pos | Description  | Pcs | Part No           | Note     |
| 01  | Switch(Complete)<br>Brytare(Komplett); Schalter(Komplett); Rupteur(Complect)                                 | 1   | 165859-001        |          |
| 01  | Switch(Cold stores)<br>Brytare(Fryshus); Schalter(Gefrieranlage); Rupteur(Chambre frigorifique)              | 1   | 165859-002        |          |
| 02  | Switch<br>Brytare; Schalter; Rupteur   | 1   | 143171            |          |
| 02  | Switch(Cold stores)<br>Brytare(Fryshus); Schalter(Gefrieranlage); Rupteur(Chambre frigorifique)              | 1   | 148039            |          |
| 03  | Limit switch(Complete)<br>Gränslägesbrytare(Komplett); Grenzschalter(Komplett); Limiteur de course(Complect) | 1   | 143559            |          |
| 04  | Micro switch<br>Mikrobrytare; Mikroschalter; Interrupteurs   | 1   | 21811             |          |
| 11  | Screw<br>Skruv; Schraube; Vis  | 2   | 21438             |          |
| 12  | Bracket<br>Fäste; Halterung; Support   | 1   | 146813            |          |
| 13  | Plate<br>Plåt; Platte; Plaque  | 1   | 146811            |          |
| 14  | Spring<br>Fjäder; Feder; Ressort   | 1   | 21411             |          |
| 15  | Washer<br>Bricka; Scheibe; Rondelle  | 2   | 22417             |          |
| 16  | Nut<br>Mutter; Mutter; Erou  | 2   | 28972             |          |
| 17  | Screw<br>Skruv; Schraube; Vis  | 2   | 28343             |          |
| 18  | Screw<br>Skruv; Schraube; Vis  | 1   | 133554-004        |          |
| 19  | Screw<br>Skruv; Schraube; Vis  | 2   | 20720             |          |
| 20  | Nut<br>Mutter; Mutter; Erou  | 2   | 20255             |          |
| 21  | Washer<br>Bricka; Scheibe; Rondelle  | 2   | 22417             |          |
| 22  | Bracket<br>Fäste; Halterung; Support   | 1   | 148146            |          |
| 23  | Screw<br>Skruv; Schraube; Vis  | 2   | 20031             |          |
| 24  | Washer<br>Bricka; Scheibe; Rondelle  | 2   | 20404             |          |
| 25  | Bracket<br>Fäste; Halterung; Support   | 1   | 145314            |          |
| 26  | Push-button(Red)<br>Tryckknapp(Röd); Druckknopf(Rot); Bouton(Rouge)  | 3   | 155567            |          |
| 27  | Contact device<br>Kontaktblock; Kontakteinheit; Unite de contact   | 3   | 155568            |          |
| 29  | Sensing device<br>Induktivgivare; Fühler; Emetteur   | 2   | 143170-040        |          |
| 30  | Ring<br>Ring; Ring; Bague  | 1   | 165784            |          |

**6120-061 Hoses and pipes, connection, fixation**

[1996-09-09]

Rör/slang-ledning, Koppl., fastsättning; Rohr/Schlauch/Verschraubung. befestig.; Tuyaux / flexibles raccords

| Driver lift; Förarlyft; Aufheben Führer; Radeau de soulèvement, conducteur |   | 344 OS 2.0 TRINKS |         | 289679 - |
|--|---|-------------------|---------|----------|
| Pos  | Description   | Pcs               | Part No | Note     |
| 11   | Hollow screw<br>Hålskruv; Hohlschraube; Vis à torage                | 2                 | 29661   |          |
| 12   | Washer(Copper)<br>Bricka(Koppar); Scheibe(Kupfer); Rondelle(Cuivre) | 4                 | 25996   |          |
| 13   | Hose<br>Slang; Schlauch; Tuyau flexible                             | 1                 | 145039  |          |
| 14   | Connection<br>Koppling; Kupplung; Raccord                           | 1                 | 28777   |          |
| 15   | Hose<br>Slang; Schlauch; Tuyau flexible                             | 1                 | 135298  |          |
| 16   | Hose<br>Slang; Schlauch; Tuyau flexible                             | 1                 | 135679  |          |
| 17   | Connection<br>Koppling; Kupplung; Raccord                           | 1                 | 28943   |          |
| 19   | Hose<br>Slang; Schlauch; Tuyau flexible                             | 1                 | 143754  |          |
| 20   | Connection<br>Koppling; Kupplung; Raccord                           | 1                 | 28943   |          |
| 21   | Washer<br>Bricka; Scheibe; Rondelle                                 | 1                 | 149545  |          |
| 23   | Bracket<br>Fäste; Halterung; Support                                | 4                 | 129399  |          |
| 24   | Screw<br>Skruv; Schraube; Vis                                       | 4                 | 27565   |          |
| 25   | Clamp<br>Klamma; Rohrschelle; Collier                               | 6                 | 20942   |          |

CLICK HERE TO **DOWNLOAD** THE COMPLETE MANUAL

- Thank you very much for reading the preview of the manual.
- You can download the complete manual from: [www.heydownloads.com](http://www.heydownloads.com) by clicking the link below



- Please note: If there is no response to CLICKING the link, please download this PDF first and then click on it.

CLICK HERE TO **DOWNLOAD** THE COMPLETE MANUAL