

Quality Parts

OS 2.0

Valid for machine number..... 413179AA -

Only valid for machine number.....

--	--	--	--	--	--	--	--	--

Ordering number 182531

Date 2001-05-02

Language..... GB SE DE FR / ITS / ESIF

CLICK HERE TO **DOWNLOAD** THE COMPLETE MANUAL

- Thank you very much for reading the preview of the manual.
- You can download the complete manual from: www.heydownloads.com by clicking the link below



- Please note: If there is no response to CLICKING the link, please download this PDF first and then click on it.

CLICK HERE TO **DOWNLOAD** THE COMPLETE MANUAL

0390-085 Battery compartment parts

[2000-05-16]

Batteriutrymmesdelar; Batterieraumteile; Pièce de compartiment batterie

		345 OS 2.0		361605 -	
Pos	Description	Pcs	Part No	Note	
11	Screw Skruv; Schraube; Vis	1	20192		
12	Washer Bricka; Scheibe; Rondelle	1	20404		
13	Hook Hake; Haken; Crochet	1	173150-001	L = 240 mm	
13	Hook Hake; Haken; Crochet	1	173150-002	L = 310 mm	
13	Hook Hake; Haken; Crochet	1	173150-003	L = 380 mm	
14	Bush Bussning; Bague; Bague	1	173149		
15	Ring Ring; Ring; Bague	1	173444		
16	Bracket Fäste; Halterung; Support	1	173147-002		
17	Screw Skruv; Schraube; Vis	4	21141		
18	Washer Bricka; Scheibe; Rondelle	12	22553		
19	Plate Plåt; Platte; Plaque	1	173445		
20	Screw Skruv; Schraube; Vis	2	20074		
21	Nut Mutter; Mutter; Ecrou	2	20016		
22	Consol Konsol; Konsole; Console	1	173145-001	A = 243 mm	
22	Consol Konsol; Konsole; Console	1	173145-002	A = 313 mm	
22	Consol Konsol; Konsole; Console	1	173145-003	A = 383 mm	
23	Washer Bricka; Scheibe; Rondelle	3	20348		
24	Screw Skruv; Schraube; Vis	1	20439	B = 16 mm	
24	Screw Skruv; Schraube; Vis	1	23932	B = 50 mm	
25	Screw Skruv; Schraube; Vis	2	20074		
26	Nut Mutter; Mutter; Ecrou	2	20016		
27	Distance piece Distans; Distanz; Distance	1	171157		
28	Damper Dämpare; Dämpfer; Attenteur	1	171158		
29	Roller(Complete) Rulle(Komplett); Rolle(Komplett); Roleau(Complet)	10	163259-014		

2550-029 Mechanical drive gear unit

[1999-08-25]

Drivaggregat/-växel; Antriebsaggregat/-getriebe; Groupe de traction, réducteur

Steering arm without servo, Steering wheel system; Manöverarmsstyrning utan servo, Rattstyrning; Steuerarm ohne servo, Lenkrad steuerung; Bras de manoeuvre sans servo, Volant de direction		345 OS 2.0		346578 -	
Pos	Description	Pcs	Part No	Note	
01	Driving gear compl. Drivväxel kompl.; Antriebsatz kompl.; Groupe de entrainement compl.	1	139715		
11	Nut Mutter; Mutter; Ecrou	1	139713		
12	Washer Bricka; Scheibe; Rondelle	1	20013		
13	Gear wheel Kuggghjul; Zahnrad; Roue dentée	1	139710		
14	Roller bearing Rullager; Rollenlager; Palier à rouleaux	1	27208		
15	Screw Skruv; Schraube; Vis	2	28343		
16	Shim(0,05 mm) Shims; Schim; Cale		140100-001		
16	Shim(0,2 mm) Shims; Schim; Cale		140100-003		
16	Shim(0,3 mm) Shims; Schim; Cale		140100-004		
16	Shim(0,5 mm) Shims; Schim; Cale		140100-005		
16	Shim(1 mm) Shims; Schim; Cale		140100-006		
17	Shim(0,05 mm) Shims; Schim; Cale		140102-001		
17	Shim(0,1mm) Shims; Schim; Cale		140102-002		
17	Shim(0,2 mm) Shims; Schim; Cale		140102-003		
17	Shim(0,3 mm) Shims; Schim; Cale		140102-004		
17	Shim(0,5 mm) Shims; Schim; Cale		140102-005		
17	Shim(1 mm) Shims; Schim; Cale		140102-006		
18	Bearing Lager; Lager; Roulement	1	29569		
19	O-ring O-ring; O-ring; Joint torique	1	23620		
20	Spare part kit : Bevel gear Reservdelssats : Koniskt kuggghjul; Satz : Kegelfrad; Jeux : Roue conique à denture droite	1	142932		
21	Washer Bricka; Scheibe; Rondelle	1	140097		
22	Nut Mutter; Mutter; Ecrou	1	139714		
23	Cap Lock; Deckel; Couvercle	1	139705		
24	Screw Skruv; Schraube; Vis	6	21141		
25	Bearing Lager; Lager; Roulement	1	29570		
26	Gear housing Växelhus; Getriebhäuse; Carter étauche	1	139700		
27	Bearing Lager; Lager; Roulement	1	26312		
28	Shim(0,05 mm) Shims; Schim; Cale		140101-001		
28	Shim(0,1mm) Shims; Schim; Cale		140101-002		

3180-009 Electrically controlled travel brake

[2000-05-08]

El.reglerad färdbröms; Elektrisch geregelte Betriebsbremse; Frein de route électrique

		345 OS 2.0		361605 -	
Pos	Description	Pcs	Part No	Note	
11	Brake compl. Bröms kompl.; Brems Kompl.; Frein compl.	1	171520		
12	Spring Fjäder; Feder; Ressort	1	158880		
13	Screw Skruv; Schraube; Vis	3	24352		
14	Spring Fjäder; Feder; Ressort	4	173611		
15	Sleeve Hylsa; Hülse; Douille	3	158882		
16	Brake disc Brömskiva; Innenlamelle; Disque de freinage	1	173612		
17	Hub Nav; Nabe; Moyeu	1	150853		
18	Plate Plåt; Platte; Plaque	1	142542		
19	Screw Skruv; Schraube; Vis	4	21141		
20	Plate Plåt; Platte; Plaque	1	140578		
21	Locking ring Spårring; Schliessring; Circlip	2	20043		
22	Packing Packning; Packung; Étanchage	1	145054		

CLICK HERE TO **DOWNLOAD** THE COMPLETE MANUAL

- Thank you very much for reading the preview of the manual.
- You can download the complete manual from: www.heydownloads.com by clicking the link below



- Please note: If there is no response to CLICKING the link, please download this PDF first and then click on it.

CLICK HERE TO **DOWNLOAD** THE COMPLETE MANUAL

5200-009 Instrument panel, display

[1999-04-07]

Instrumentpanel, display; Instrumentpanel, Display; Tableau de bord, afficheur

Inching speed; Krypfart; Kriechgeschwindigkeit; Vitesse de fluage		345 OS 2.0		336996 -
Pos	Description	Pcs	Part No	Note
11	Box, set(Complete) Låda, sats(Komplett); Büchse, satz(Komplett); Boite, jeux(Complett)	1	157164-001	Pos. = 13, 14, 15, 17, 18, 19, 23, 24
11	Box, set(Complete) Låda, sats(Komplett); Büchse, satz(Komplett); Boite, jeux(Complett)	1	157164-002	Pos. = 13, 14, 15, 17, 18, 19, 20, 21, 22, 25
11	Box, set(Complete) Låda, sats(Komplett); Büchse, satz(Komplett); Boite, jeux(Complett)	1	157164-003	Pos. = 13, 14, 15, 17, 18, 19, 20, 21, 22, 24
12	Box, set(Complete) Låda, sats(Komplett); Büchse, satz(Komplett); Boite, jeux(Complett)	1	157165-001	Pos. = 13, 14, 15, 17, 18, 19, 23, 24
12	Box, set(Complete) Låda, sats(Komplett); Büchse, satz(Komplett); Boite, jeux(Complett)	1	157165-002	Pos. = 13, 14, 15, 17, 18, 19, 20, 21, 22, 25
12	Box, set(Complete) Låda, sats(Komplett); Büchse, satz(Komplett); Boite, jeux(Complett)	1	157165-003	Pos. = 13, 14, 15, 17, 18, 19, 20, 21, 22, 24
13	Screw Skruv; Schraube; Vis	2	28545	
14	Push-button(Red) Tryckknapp(Röd); Druckknopf(Rot); Bouton(Rouge)	1	155567	
15	Contact device Kontaktblock; Kontakteinheit; Unite de contact	1	155568	
17	Bracket Fäste; Halterung; Support	1	150490	
18	Guide Genomföring; Durogföring; Guide	1	21312	
19	Cap Lock; Deckel; Couvercle	1	150489	
20	Sign Skylt; Schild; Vignette	1	71573	
21	Switch(Complete) Brytare(Komplett); Schalter(Komplett); Rupteur(Complett)	1	132573	
22	Symbol plate Symbolplatta; Zeichenplatte; Plaque de symbole	1	132575-004	
23	Cap Lock; Deckel; Couvercle	1	132577	
24	Push-button switch(Complete) Tryckknappsbrytare(Komplett); Druckknopfschalter(Komplett); Bouton rupteur(Complett)	2	146151	
25	Plug Plugg; Pfropf; Bouchon	2	139240-300	
26	Push-button Tryckknapp; Druckknopf; Bouton	2	153195	
27	Contact device Kontaktblock; Kontakteinheit; Unite de contact	2	153196	

5330-027 Speed control

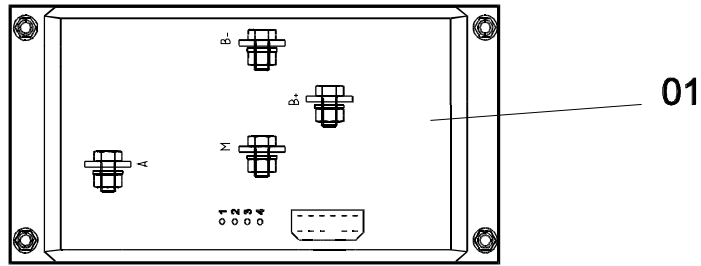
[1998-08-26]

Fartreglering; Geschwindigkeitsreglung; Régulation de vitesse

Pos	Description	Pcs	Part No	Note
			345 OS 2.0	325962 -
02	Micro switch Mikrobrytare; Mikroschalter; Interrupteurs	2	152321	Cold stores Fryshus; Gefrieranlage; Chambre frigorifique
02	Micro switch Mikrobrytare; Mikroschalter; Interrupteurs	2	156279	Standard design Standardutförande; Normalaus-rüstung
03	Operating device Manöverdon; Steuerungsvorrichtung; Bras de commande	2	156919	Cold stores Fryshus; Gefrieranlage; Chambre frigorifique
13	Screw Skruv; Schraube; Vis	2	20720	
14	Bracket Fäste; Halterung; Support	2	134065	
15	Screw Skruv; Schraube; Vis	2	21134	
18	Washer Bricka; Scheibe; Rondelle	2	21392	
19	Nut Mutter; Mutter; Ecrou	2	20255	
20	Screw Skruv; Schraube; Vis	2	24354	
22	Washer Bricka; Scheibe; Rondelle	2	20236	
23	Nut Mutter; Mutter; Ecrou	2	20235	
25	Potentiometer(Complete) Potentiometer(Komplett); Potentiometer(Komplett); Potentiometre(Com-plet)	1	166303	
26	Heater(With wiring harness) Värmare(Med kablage); Heizer(Mit Kabelsatz); Calorie(Avec Câblage)	2	153396	Cold stores Fryshus; Gefrieranlage; Chambre frigorifique

5460-015

P0002977



5460-015 Transistor panel

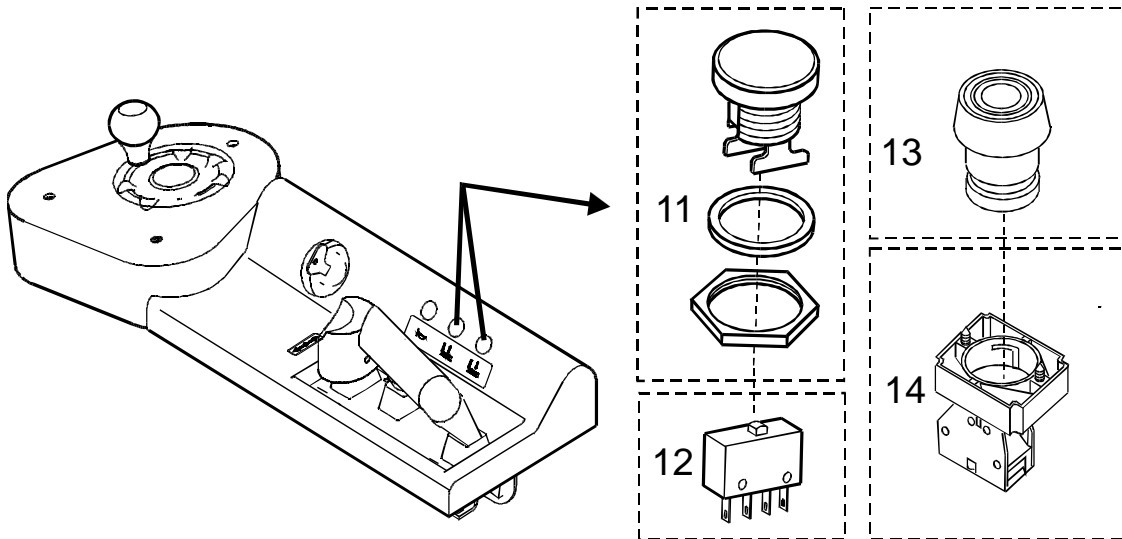
[1996-08-12]

Transistorpanel ; Transistorpanel; Panneau transistor

			345 OS 2.0	275189 -
Pos	Description	Pcs	Part No	Note
01	Transistor controller Transistorregulator; Transistorregulator; Regulateur des transistors	1	149194-003	

5510-017

P0004595



5510-017 Work function micro switches, potentiometers

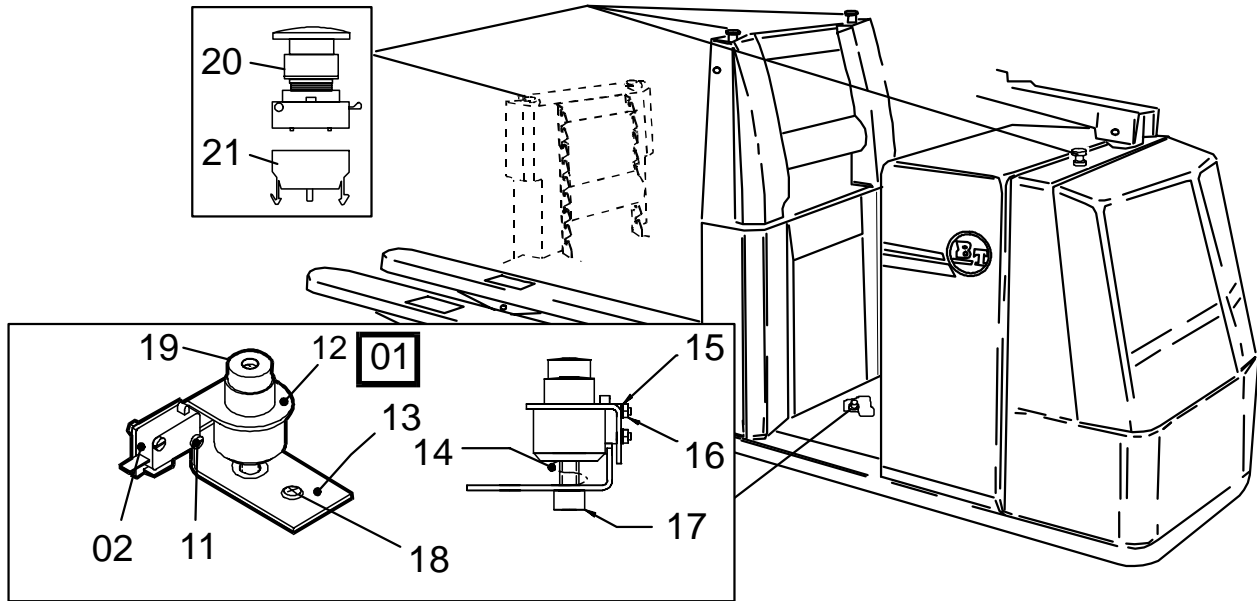
[1996-09-10]

Arbetsfunktionsbrytare/-potentiometer; Schalter/Potentiometer Arbeitsfunktion; Rupteurs (switches)/ potentiomètres

			345 OS 2.0	289679 -
Pos	Description	Pcs	Part No	Note
11	Push-button Tryckknapp; Druckknopf; Bouton	2	151221	
12	Micro switch Mikrobrytare; Mikroschalter; Interrupteurs	2	149794	
13	Push-button Tryckknapp; Druckknopf; Bouton	2	28235	Cold stores Fryshus; Gefrieranlage; Chambre frigorifique
14	Contact device Kontaktblock; Kontakteinheit; Unite de contact	2	25624	Cold stores Fryshus; Gefrieranlage; Chambre frigorifique

5830-029

P0009916

**5830-029 Safety probes/ sensors**

[1999-04-06]

Säkerhets-givare/-sensorer; Sicherheitsgeber/-sensor; Capteurs de sécurité

Pos	Description	Pcs	Part No	Note
			345 OS 2.0	336996 -
01	Switch(Complete) Brytare(Komplett); Schalter(Komplett); Rupteur(Complet)	1	165859-001	
01	Switch(Cold stores) Brytare(Fryshus); Schalter(Gefrieranlage); Rupteur(Chambre frigorifique)	1	165859-002	
02	Switch Brytare; Schalter; Rupteur	1	143171	
02	Switch(Cold stores) Brytare(Fryshus); Schalter(Gefrieranlage); Rupteur(Chambre frigorifique)	1	148039	
11	Screw Skruv; Schraube; Vis	2	21438	
12	Bracket Fäste; Halterung; Support	1	146813	
13	Plate Plåt; Platte; Plaque	1	146811	
14	Spring Fjäder; Feder; Ressort	1	21411	
15	Washer Bricka; Scheibe; Rondelle	2	22417	
16	Nut Mutter; Mutter; Ecrou	2	28972	
17	Screw Skruv; Schraube; Vis	2	28343	
18	Screw Skruv; Schraube; Vis	1	133554-004	
19	Ring Ring; Ring; Bague	1	165784	
20	Push-button(Red) Tryckknapp(Röd); Druckknopf(Rot); Bouton(Rouge)	3	155567	
21	Contact device Kontaktblock; Kontakteinheit; Unite de contact	3	155568	

CLICK HERE TO **DOWNLOAD** THE COMPLETE MANUAL

- Thank you very much for reading the preview of the manual.
- You can download the complete manual from: www.heydownloads.com by clicking the link below



- Please note: If there is no response to CLICKING the link, please download this PDF first and then click on it.

CLICK HERE TO **DOWNLOAD** THE COMPLETE MANUAL