

Quality Parts

OS 1.0

Valid for machine number..... 361605AA-

Only valid for machine number.....

--	--	--	--	--	--	--	--	--

Ordering number 176712

Date 2000-05-18 / ITS / ESIF

Language..... GB; SE; DE; FR

CLICK HERE TO **DOWNLOAD** THE COMPLETE MANUAL

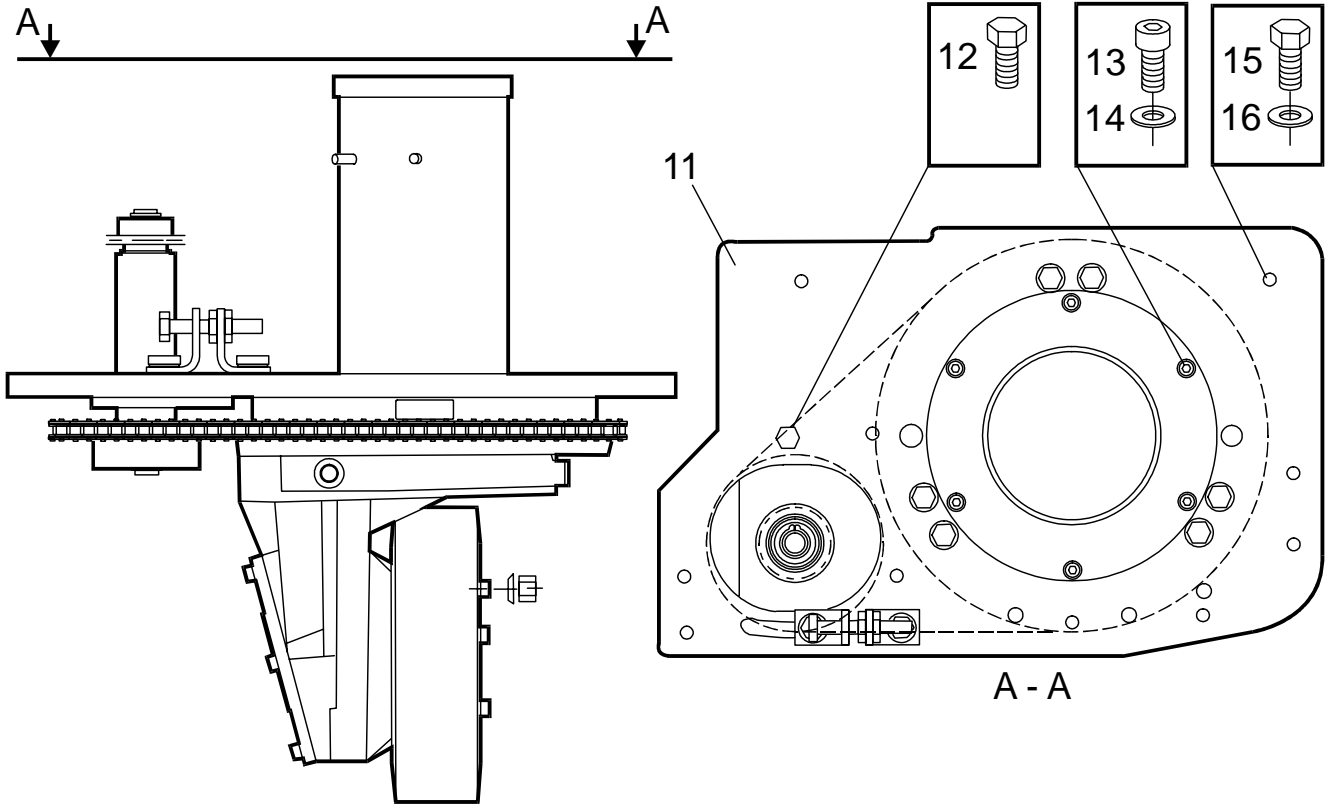
- Thank you very much for reading the preview of the manual.
- You can download the complete manual from: www.heydownloads.com by clicking the link below



- Please note: If there is no response to CLICKING the link, please download this PDF first and then click on it.

CLICK HERE TO **DOWNLOAD** THE COMPLETE MANUAL

0450-024



0450-024 Motor fixing points

[1999-03-30]

Motorupphängning/-fästen; Motoraufhängung/Halterung; Points de fixation moteur

<i>Steering arm without servo; Manöverarmsstyrning utan servo; Steuerarm ohne servo; Bras de manoeuvre sans servo</i>		348 OS 1.0	325962 -	
Pos	Description	Pcs	Part No	Note
11	Plate Plåt; Platte; Plaque	1	166313	
12	Screw Skruv; Schraube; Vis	1	21816	
13	Screw Skruv; Schraube; Vis	6	21141	
14	Washer Bricka; Scheibe; Rondelle	6	20404	
15	Screw Skruv; Schraube; Vis	7	20338	
16	Washer Bricka; Scheibe; Rondelle	7	20228	

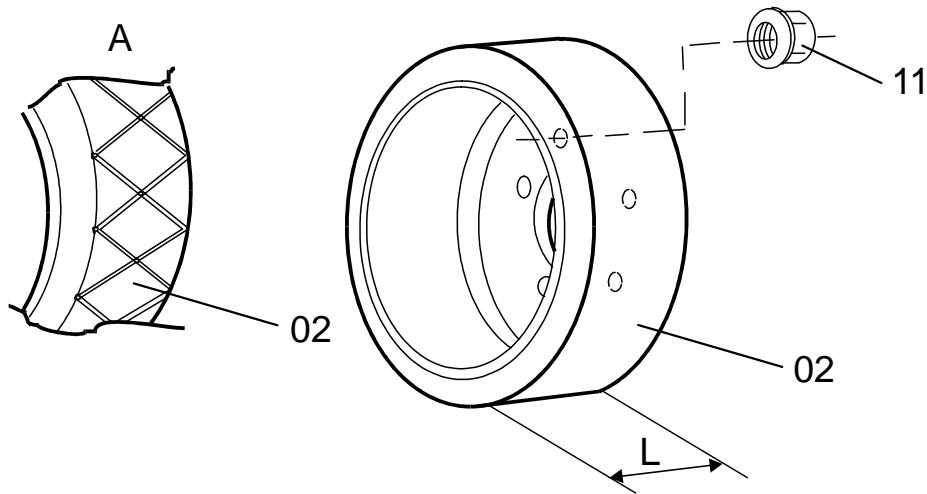
0850-028 Signs, warnings, decals

[1996-09-05]

Skyltar, varningar, dekaler; Schilder, Warnzeichen, Aufkleber; Vignettes, avertissements, autocollants

		348 OS 1.0		289679 -	
Pos	Description	Pcs	Part No	Note	
11	Sign Skylt; Schild; Vignette	1	152838		
12	Sign Skylt; Schild; Vignette	1	152842		
13	Sign Skylt; Schild; Vignette	1	148223		
14	Sign Skylt; Schild; Vignette	1	148227		
15	Sign Skylt; Schild; Vignette	1	148642		
16	Sign Skylt; Schild; Vignette	1	72082		
17	Sign(" OPUS ") Skylt; Schild; Vignette	1	151855		
18	Sign Skylt; Schild; Vignette	6	121786-001		
21	Sign Skylt; Schild; Vignette	1	149847		
22	Sign Skylt; Schild; Vignette	4	152027		
23	Sign Skylt; Schild; Vignette	1	151845		

3530-015

**3530-015 Drive wheel**

Drivhjul; Antriebsrad; Roue motrice

[1998-03-24]

			348 OS 1.0	315966 -
Pos	Description	Pcs	Part No	Note
02	Drive wheel(Vulkollan) Drivhjul; Antriebsrad; Roue entrainement	1	135161	Electrical steering, L = 105 mm Elektrisk styrning, L = 105 mm; Elektrisch Steuerung, L = 105 mm; Direction mécanique, L = 105 mm
02	Drive wheel(Vulkollan) Drivhjul; Antriebsrad; Roue entrainement	1	138457	L = 75 mm
02	Drive wheel Drivhjul; Antriebsrad; Roue entrainement	1	139941	Electrical steering, Grooved, L = 105 mm Elektrisk styrning, Sajpad, L = 105 mm; Elektrisch Steuerung, Gemustert, L = 105 mm; Direction mécanique, Sculpture, L = 105 mm
02	Drive wheel(Vulkollan) Drivhjul; Antriebsrad; Roue entrainement	1	146061-001	A = Grooved, L = 75 mm A = Sajpad, L = 75 mm; A = Gemustert, L = 75 mm; A = Sculp- ture, L = 75 mm
02	Drive wheel(Tractothan) Drivhjul; Antriebsrad; Roue entrainement	1	146061-002	A = Grooved, L = 75 mm A = Sajpad, L = 75 mm; A = Gemustert, L = 75 mm; A = Sculp- ture, L = 75 mm
02	Drive wheel(Tractothan) Drivhjul; Antriebsrad; Roue entrainement	1	153874	L = 75 mm
11	Nut Mutter; Mutter; Ecrou	5	29875	

CLICK HERE TO **DOWNLOAD** THE COMPLETE MANUAL

- Thank you very much for reading the preview of the manual.
- You can download the complete manual from: www.heydownloads.com by clicking the link below



- Please note: If there is no response to CLICKING the link, please download this PDF first and then click on it.

CLICK HERE TO **DOWNLOAD** THE COMPLETE MANUAL

4120-009 Steering column/gear

[1999-03-30]

Styrrör/-axel, styrväxel; Lenksäule, Lenkgetriebe; Colonne direction et pignon

Steering arm without servo; Manöverarmsstyrning utan servo; Steuerarm ohne servo; Bras de manoeuvre sans servo		348 OS 1.0		336996 -
Pos	Description	Pcs	Part No	Note
11	Steering pipe Styrrör; Steuerrohr; Tube de direction	1	147503	
12	Bearing Lager; Lager; Roulement	2	150787	
13	Consol Konsol; Konsole; Console	1	144082	
14	Distance piece Distans; Distanz; Distance	1	140785	
15	Locking ring Spårring; Schliessring; Circlip	1	23233	
16	Key Kil; Keil; Clavette	1	23514	
17	Chain wheel Kedjehjul; Kettenrad; Roue de chaine	1	138391	
18	Steering gear(Complete) Styrväxel(Komplett); Lenkgetriebe(Komplett); Bötier de direction(Complet)	1	141861	
19	Locking ring Spårring; Schliessring; Circlip	1	20019	
20	Chain wheel Kedjehjul; Kettenrad; Roue de chaine	1	141860	
21	Washer Bricka; Scheibe; Rondelle	1	20367	
22	Ball bearing Kullager; Kugellager; Roulement a billes	1	20906	
23	Consol Konsol; Konsole; Console	1	141856	
24	Axle Axel; Achse; Axe	1	141859	
25	Ball bearing Kullager; Kugellager; Roulement a billes	1	20906	
26	Distance piece Distans; Distanz; Distance	1	24115	
27	Key Kil; Keil; Clavette	1	26547	
28	Chain wheel Kedjehjul; Kettenrad; Roue de chaine	1	141855	
29	Locking ring Spårring; Schliessring; Circlip	1	20019	
30	Screw Skruv; Schraube; Vis	2	29695	
31	Screw Skruv; Schraube; Vis	4	20078	
32	Washer Bricka; Scheibe; Rondelle	4	42993	

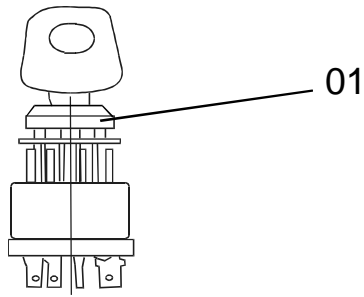
4310-006 Electric steering wheel/lever

[1999-08-24]

Elektr. ratt/-spakstyrning; Elektro-lenkrad/-hebellenkung; Timon, volant, levier de direction

Steering wheel system; Rattstyrning; Lenkrad steuerung; Volant de direction		348 OS 1.0		346578 -
Pos	Description	Pcs	Part No	Note
11	Screw Skruv; Schraube; Vis	9	29918	
12	Nut Mutter; Mutter; Erou	9	29917	
13	Housing Kåpa; Haus; Chape	1	157001-001	
13	Housing Kåpa; Haus; Chape	1	157001-002	Cold stores Fryshus; Gefrieranlage; Chambre frigorifique
14	Gas suspension(800 Newton) Gasfjäder; Gasfederung; Suspension à gaz	1	150580	
14	Gas suspension(500 Newton) Gasfjäder; Gasfederung; Suspension à gaz	1	151472	
15	Bracket Fäste; Halterung; Support	1	152857	
16	Lever Spak; Hebel; Levier	1	152856	
17	Axle Axel; Achse; Axe	2	151471	
18	Locking ring Spårring; Schliessring; Circlip	4	21439	
19	Protection Skydd; Schutz; Protègee	1	151467	
20	Arm(A = 225 mm) Arm; Arm; Bras	1	151465-001	
20	Arm(A = 295 mm) Arm; Arm; Bras	1	151465-002	
20	Arm(A = 365 mm) Arm; Arm; Bras	1	151465-003	
21	Housing(C = 203 mm) Kåpa; Haus; Chape	1	152852-001	
21	Housing(C = 273 mm) Kåpa; Haus; Chape	1	152852-002	
21	Housing(C = 343 mm) Kåpa; Haus; Chape	1	152852-003	
22	Screw Skruv; Schraube; Vis	1	29895	
23	Screw Skruv; Schraube; Vis	1	22995	
24	Handle Handtag; Handgriff; Poignée.	1	152837	
25	Screw Skruv; Schraube; Vis	2	20333	
25	Screw Skruv; Schraube; Vis	2	20400	Cold stores Fryshus; Gefrieranlage; Chambre frigorifique
26	Bellows Bålg; Balg; Soufflet	1	151474-002	
27	Housing Kåpa; Haus; Chape	1	152851	
28	Nut Mutter; Mutter; Erou	1	20096	
29	Washer Bricka; Scheibe; Rondelle	1	20404	
30	Distance piece Distans; Distanz; Distance	1	54731	
31	Lever Spak; Hebel; Levier	1	142422-008	
32	Bush Bussning; Bague; Bague	2	140177	

5310-003

**5310-003 Start/stop switch**

[1996-05-21]

Start/stopströmställare; Schalter Fahren/Anhalten; Interrupteur (coupe-circuit) démarrage/arrêt

Pos	Description	Pcs	Part No	Note
01	Ignition switch Startlås; Zündschloss; Contact-démarrreur	1	28555	

5390-107 Driving function harnesses/ fuse

[2000-05-16]

Åkfunktionskablage/-säkring; Verkabelung, Sicherung Fahrfunktion; Câblage/ fusible fonction de déplacement

Pos	Description	Pcs	Part No	Note
			348 OS 1.0	336996 -
11	Wiring harness Kablage; Kabelsatz; Câblage	1	142570	Steering arm Manöverarmsstyrning; Steuerarm; Bras de manoeuvre
11	Wiring harness(Cold stores) Kablage(Fryshus); Kabelsatz(Gefrieranlage); Câblage(Chambre frigorifique)	1	147953	Steering arm Manöverarmsstyrning; Steuerarm; Bras de manoeuvre
12	Wiring harness Kablage; Kabelsatz; Câblage	1	156122	Steering wheel Ratt; lenkrad; Volant
13	Wiring harness Kablage; Kabelsatz; Câblage	1	160630	Steering wheel Ratt; lenkrad; Volant
14	Wiring harness Kablage; Kabelsatz; Câblage	1	160629	Steering arm Manöverarmsstyrning; Steuerarm; Bras de manoeuvre
15	Wiring harness Kablage; Kabelsatz; Câblage	1	160633	
16	Wiring harness Kablage; Kabelsatz; Câblage	1	160632	
17	Fuse(10A) Säkring; Sicherung; Fusible	1	122308-100	
18	Fuse(7,5A) Säkring; Sicherung; Fusible	1	122308-075	Steering arm Manöverarmsstyrning; Steuerarm; Bras de manoeuvre
18	Fuse(20A) Säkring; Sicherung; Fusible	1	122308-200	Steering wheel Ratt; lenkrad; Volant
19	Fuse holder Säkringshållare; Sicherungshalter; Porte-fusibles	4	135421	
20	Nit Nit; Niet; Rivet	1	28959	
21	Bracket Fäste; Halterung; Support	1	135422	
22	Clamp Klamma; Rohrschelle; Collier	3	20942	
30	Screw Skruv; Schraube; Vis	4	29481	
31	Clamp Klamma; Rohrschelle; Collier	4	20942	
32	Bracket Fäste; Halterung; Support	4	129399	
33	Wiring harness Kablage; Kabelsatz; Câblage	1	145773	Steering arm Manöverarmsstyrning; Steuerarm; Bras de manoeuvre
33	Wiring harness Kablage; Kabelsatz; Câblage	1	156542	Steering wheel Ratt; lenkrad; Volant
35	Wiring harness Kablage; Kabelsatz; Câblage	1	156121	Steering wheel Ratt; lenkrad; Volant
36	Wiring harness Kablage; Kabelsatz; Câblage	1	156922	Steering arm Manöverarmsstyrning; Steuerarm; Bras de manoeuvre
37	Wiring harness Kablage; Kabelsatz; Câblage	1	170639	Steering arm with servo Manöverarmsstyrning med servo; Steuerarm mit servo; Bras de manoeuvre, servo
38	Fuse(20A) Säkring; Sicherung; Fusible	2	122308-200	Steering arm with servo Manöverarmsstyrning med servo; Steuerarm mit servo; Bras de manoeuvre, servo
39	Plate Plåt; Platte; Plaque	1	166316	
40	Wiring harness(Sliding bow) Kablage(Bygling); Kabelsatz(Bügel kontakt); Câblage(Crampon électrique)	1	165868	Steering arm with servo Manöverarmsstyrning med servo; Steuerarm mit servo; Bras de manoeuvre, servo

5680-066 Battery/motor cables, fuse

[2000-05-09]

Batteri-/motorkablar, säkring; Batterie-/Motor kabel, Sicherung; Câbles de batterie/moteur, fusible

Steering wheel; Ratt; lenkrad; Volant		348 OS 1.0		361605 -	
Pos	Description	Pcs	Part No	Note	
12	Cable(40) Kabel; Kabel; Câble	1	140819		
13	Cable(3) Kabel; Kabel; Câble	1	140820		
15	Connector with cable complete Handske med kabel komplett; Stromstecker mit Kabel komplett.; Connec- tion fiche avec câble complete.	1	176861		
16	Gender key Kodpinne; Code-Stift; Code-goupille	1	171074-001		
17	Connector socket Kabelhandske; Leistungsverbinder; Connexion socle.	1	171683		
18	Connector with cable complete Handske med kabel komplett; Stromstecker mit Kabel komplett.; Connec- tion fiche avec câble complete.	1	176823		
19	Gender key Kodpinne; Code-Stift; Code-goupille	1	171074-002		
20	Connector socket Kabelhandske; Leistungsverbinder; Connexion socle.	1	171682		
21	Handle Handtag; Handgriff; Poignée.	1	171687		
22	Cable Kabel; Kabel; Câble	1	176824		
23	Cable Kabel; Kabel; Câble	1	176825		
24	Screw Skruv; Schraube; Vis	2	20871		
25	Washer Bricka; Scheibe; Rondelle	2	29940		
26	Nut Mutter; Mutter; Ecrou	2	20433		

6100-071 Hydraulic unit

[2000-05-10]

Hydraulaggregat; Hydraulikaggregat; Unité hydraulique

Pos	Description	Pcs	Part No	Note
			348 OS 1.0	361605 -
01	Hydraul unit(Complete) Hydraulenhet(Komplett); Hydraulikeinheit(Komplett); Unite hydraulique(Complett)	1	177463	
11	Motor Motor; Motor; Moteur	1	143375	
12	Cap Lock; Deckel; Couvercle	1	143380	
13	Non return valve Backventil; Rückschlagklappe; Clapet de retenue	1	143374	
14	Cap Lock; Deckel; Couvercle	1	143380	
15	Filler tube Påfyllningsrör; Füllstutzen; Tuyau de remplissage	1	177563	
16	House. Hus; Haus.; Carter	1	177644	
17	Tank Tank; Behälter; Reservoir	1	177461	
18	Filter Filter; Filter; Filtre	1	152716	
19	Pump Pump; Pump; Pumpe	1	143377	
20	Sealing kit Tätningssats; Dichtungssatz; Jeux d'étanchéité	1	143378	Pump Pump; Pumpe; Pompe
21	Filter(Complete) Filter(Komplett); Filter(Komplett); Filtre(Complett)	1	167328	
22	Valve Ventil; Ventil; Soupape	1	143373	
23	Valve(Magnet) Ventil(Magnet); Ventil(Magnet); Soupape(Magnétique)	1	143371	
24	Hollow screw Hålskruv; Hohlschraube; Vis à torage	1	158883	
25	Valve unit Ventilblock; Ventileinheit; Soupape unit	1	146517	
26	Sealing kit Tätningssats; Dichtungssatz; Jeux d'étanchéité	1	146520	
27	Valve(Flow) Ventil(Flödes); Ventil(Fluss); Soupape(Flux)	1	143370	
28	Connector unit(Kit) Kopplingsstycke(Sats); Kupplungsstück(satz); Raccordement(Jeux)	1	177643	
29	Clamp Klamma; Rohrschelle; Collier	1	143381	
30	Coil Spole; Spule; Bobine	1	146518	
31	Pressure relais Tryckvakt; Druckwächter; Soupape de compression	2	147018	
32	Coil Spole; Spule; Bobine	1	143372	

9130-022 Working cage

[2000-05-16]

Arbetskorg; Arbeitskorb/-bühne; Nacelle

		348 OS 1.0		361605 -	
Pos	Description	Pcs	Part No	Note	
11	Cushion Dyna; Kissen; Coussin	1	145570		
12	Compartment Fack; Busche; Boite	1	27828		
13	Screw Skruv; Schraube; Vis	2	25064		
14	Washer Bricka; Scheibe; Rondelle	2	20236		
15	Plate Plåt; Platte; Plaque	1	176888		
16	Lifting cylinder compl Lyftcylinder kompl.; Hubzylinder Kompl.; Verin de levage compl.	1	141829		
17	Plate Plåt; Platte; Plaque	1	143752		
18	Screw Skruv; Schraube; Vis	4	28858		
19	Buffer Buffert; Puffer; Atténateur	1	23791		
20	Washer Bricka; Scheibe; Rondelle	1	20375		
21	Nut Mutter; Mutter; Ecrou	1	20235		
22	Magnet Magnet; Magnet; Magnétique	1	126373		
23	Washer Bricka; Scheibe; Rondelle	2	22417		
24	Screw Skruv; Schraube; Vis	2	21252		
25	Wiring harness Kablage; Kabelsatz; Câblage	1	156580		
26	Wiring harness Kablage; Kabelsatz; Câblage	1	177057		
27	Connection Koppling; Kupplung; Raccord	1	28943		
28	Wiring harness Kablage; Kabelsatz; Câblage	1	156577		
29	Clamp(Rubber) Klamma(Gummi); Rohrschelle(Gummi); Collier(Gomme)	2	29728		
30	Screw Skruv; Schraube; Vis	2	28328		
31	Clamp Klamma; Rohrschelle; Collier	3	20942		
32	Screw Skruv; Schraube; Vis	4	29794		
33	Plate Plåt; Platte; Plaque	1	157352		
35	Push-button(Red) Tryckknapp(Röd); Druckknopf(Rot); Bouton(Rouge)	2	155567		
36	Contact device Kontaktblock; Kontakteinheit; Unite de contact	2	155568		
38	Clamp(Rubber) Klamma(Gummi); Rohrschelle(Gummi); Collier(Gomme)	1	29728		
39	Screw Skruv; Schraube; Vis	3	20687		
40	Nut Mutter; Mutter; Ecrou	3	21110		
42	Conversion kit(Stabilization) Ombyggn. sats(Stabilisering); Umbausatz(Stabilisierung); Kit reducteur(Stabilisation)	1	164959	= Pos. 43, 44, 45, 78, 80, 96, 97, 98, 99	
43	Screw Skruv; Schraube; Vis	4	29640		

CLICK HERE TO **DOWNLOAD** THE COMPLETE MANUAL

- Thank you very much for reading the preview of the manual.
- You can download the complete manual from: www.heydownloads.com by clicking the link below



- Please note: If there is no response to CLICKING the link, please download this PDF first and then click on it.

CLICK HERE TO **DOWNLOAD** THE COMPLETE MANUAL