

## Quality Parts

OS 1.0

Valid for machine number..... 275189AA-282236AA

Only valid for machine number..... 

--	--	--	--	--	--	--	--	--

Ordering number ..... 149603

Date ..... 1995-10-04 / ITS / ESIF

Language..... GB; SE; DE; FR

CLICK HERE TO **DOWNLOAD** THE COMPLETE MANUAL

- Thank you very much for reading the preview of the manual.
- You can download the complete manual from: [www.heydownloads.com](http://www.heydownloads.com) by clicking the link below



- Please note: If there is no response to CLICKING the link, please download this PDF first and then click on it.

CLICK HERE TO **DOWNLOAD** THE COMPLETE MANUAL

## 0340-018 Inspection covers

[1995-09-28]

Huvar, luckor; Hauben, Abdeckungen; Capots, couvercles

		348 OS 1.0		275189 - 282236	
Pos	Description	Pcs	Part No	Note	
11	Cover. Lucka; Deckel; Couvercle	1	148459		
12	Screw Skruv; Schraube; Vis	4	20338		
13	Cover(Plastic) Huv(Plast); Haube(Kunststoff); Capot(Plastique)	1	142122		
14	Screw Skruv; Schraube; Vis	2	28447		
15	Nut Mutter; Mutter; Ecrou	2	28931		
16	Guide Styrning; Steuerung; Guidage	2	134467		
17	Screw Skruv; Schraube; Vis	2	21116		
18	Cover. Lucka; Deckel; Couvercle	1	149547		
19	Plate Plåt; Platte; Plaque	1	149538		
20	Plate Plåt; Platte; Plaque	1	149537		
21	Screw Skruv; Schraube; Vis	2	24133		
22	Cover.(C = 260 mm) Lucka; Deckel; Couvercle	1	148799		
22	Cover.(C = 400 mm) Lucka; Deckel; Couvercle	1	148800		
23	Locking plate Låsplåt; Schlussplatte; Lame de serrage	1	147540		
24	Screw Skruv; Schraube; Vis	1	20319		
25	Nut Mutter; Mutter; Ecrou	1	20130		
26	Spring Fjäder; Feder; Ressort	1	143584		
27	Piston Kolv; Kolben; Piston	2	142365		
28	Screw Skruv; Schraube; Vis	2	20683		
29	Spring Fjäder; Feder; Ressort	2	29684		
30	Axle Axel; Achse; Axe	2	27952		
31	Cotter Sprint; Federsplint; D'attelage	2	29700		
32	Screw Skruv; Schraube; Vis	1	117919		
33	Nut Mutter; Mutter; Ecrou	2	20016		
34	Door(B = 263 mm, left) Dörr(B = 263 mm, vänster); Tür(B = 263 mm, Links); Porte(B = 263 mm, gauche)	1	148795		
34	Door(B = 403 mm, left) Dörr(B = 403 mm, vänster); Tür(B = 403 mm, Links); Porte(B = 403 mm, gauche)	1	148797		
35	Door(B = 263 mm, right) Dörr(B = 263 mm, höger); Tür(B = 263 mm, Recht); Porte(B = 263 mm, droit)	1	148796		
35	Door(B = 403 mm, right) Dörr(B = 403 mm, höger); Tür(B = 403 mm, Recht); Porte(B = 403 mm, droit)	1	148798		
36	Cotter Sprint; Federsplint; D'attelage	2	148776		

**Quality Parts**

0680-012

Pos	Description	Pcs	Part No	Note
25	<b>Screw</b> Skruv; Schraube; Vis	4	29599	
27	<b>Plate</b> Plåt; Platte; Plaque	1	148384	
28	<b>Cushion</b> Dyna; Kissen; Coussin	1	149526	
29	<b>Plate</b> Plåt; Platte; Plaque	2	149528	
30	<b>Screw</b> Skruv; Schraube; Vis	6	28329	



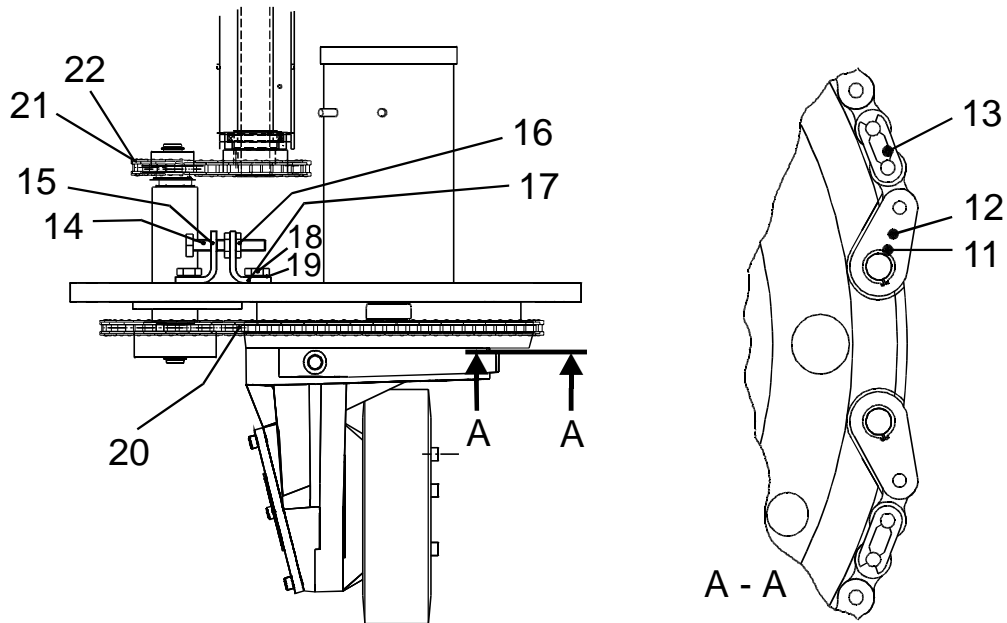
**4110-011 Steering arm / wheel / lever**

[1996-02-07]

Styr- arm/ratt/spak; Deichsel, Lenkrad-hebel; Timon/volant/levier de direction

Mechanical steering; Mekanisk styrning; Mechanisch steuerung; Direction mécanique		348 OS 1.0	268927 - 289678	
Pos	Description	Pcs	Part No	Note
01	Steering arm compl.(L = 300 mm) Styram kompl.; Deichsel kompl.; Timon compl.	1	140926	
01	Steering arm compl.(L = 440 mm) Styram kompl.; Deichsel kompl.; Timon compl.	1	140927	
01	Steering arm compl.(L = 440 mm) Styram kompl.; Deichsel kompl.; Timon compl.	1	148092	Cold stores Fryshus; Gefrieranlage; Chambre frigorifique
01	Steering arm compl.(L = 300 mm) Styram kompl.; Deichsel kompl.; Timon compl.	1	148093	Cold stores Fryshus; Gefrieranlage; Chambre frigorifique
11	Cap(N = 310 mm) Lock; Deckel; Couvercle	1	142793	
11	Cap(N = 175 mm) Lock; Deckel; Couvercle	1	142794	
12	Gas suspension(300 Newton) Gasfjäder(300 N); Gasfederung(300 N); Suspension à gaz(300 N)	1	122314-083	
12	Gas suspension(400 Newton) Gasfjäder(400 N); Gasfederung(400 N); Suspension à gaz(400 N)	1	122314-084	
13	Screw Skruv; Schraube; Vis	4	147721	
14	Nut Mutter; Mutter; Ecrou	4	29790	
15	Nut Mutter; Mutter; Ecrou	2	21110	
16	Axle Axel; Achse; Axe	1	138444	
17	Bush Bussning; Bague; Bague	2	140177	
18	Bracket Fäste; Halterung; Support	1	147536	
19	Lever Spak; Hebel; Levier	1	140808-001	
20	Locking pin Spännstift; Spannstift; Goupille	1	29914	
21	Spring Fjäder; Feder; Ressort	1	147436	
22	Screw Skruv; Schraube; Vis	2	29668	
23	Washer Bricka; Scheibe; Rondelle	2	22553	
24	Bracket Fäste; Halterung; Support	1	149063	
25	Screw Skruv; Schraube; Vis	2	28970	
26	Bracket Fäste; Halterung; Support	1	147571	
27	Screw Skruv; Schraube; Vis	1	21935	
28	Clamp Klamma; Rohrschelle; Collier	2	20942	
29	Cap Lock; Deckel; Couvercle	1	142250	
30	Cap Lock; Deckel; Couvercle	1	142251	
30	Cap Lock; Deckel; Couvercle	1	142974	Cold stores Fryshus; Gefrieranlage; Chambre frigorifique
31	Operating arm housing Manöverarmshus; Steuerarm Gehäuse; Boîtier de timon commande	1	141950	
32	Screw Skruv; Schraube; Vis	12	20867	

## 4170-004



## 4170-004 Steering Chain / linkage / wire

[1998-08-20]

Styrkedja/-länkar, wire; Steuerkette/-gelenke/-stahlseil; Chaîne de direction, câble, fixation

Steering arm without servo; Manöverarmsstyrning utan servo; Steuerarm ohne servo; Bras de manoeuvre sans servo			348 OS 1.0	262700 - 282236
Pos	Description	Pcs	Part No	Note
11	Locking ring Spårring; Schliessring; Circlip	4	20885	
12	End link washer Ändlänksbricka; Endgelenkscheibe; Mailon terminal	2	27876	
13	Chain lock Kedjelås; Kettenschloss; Arret de chaine	2	29689	
14	Screw Skruv; Schraube; Vis	1	27631	
15	Bracket Fäste; Halterung; Support	1	138522	
16	Nut Mutter; Mutter; Ecrou	2	20777	
17	Bracket Fäste; Halterung; Support	1	138517	
18	Screw Skruv; Schraube; Vis	2	26618	
19	Washer Bricka; Scheibe; Rondelle	2	21394	
20	Chain Kedja; Ketten; Chaîne	1	142518	
21	Chain Kedja; Ketten; Chaîne	1	142517	
22	Chain lock Kedjelås; Kettenschloss; Arret de chaine	1	26011	



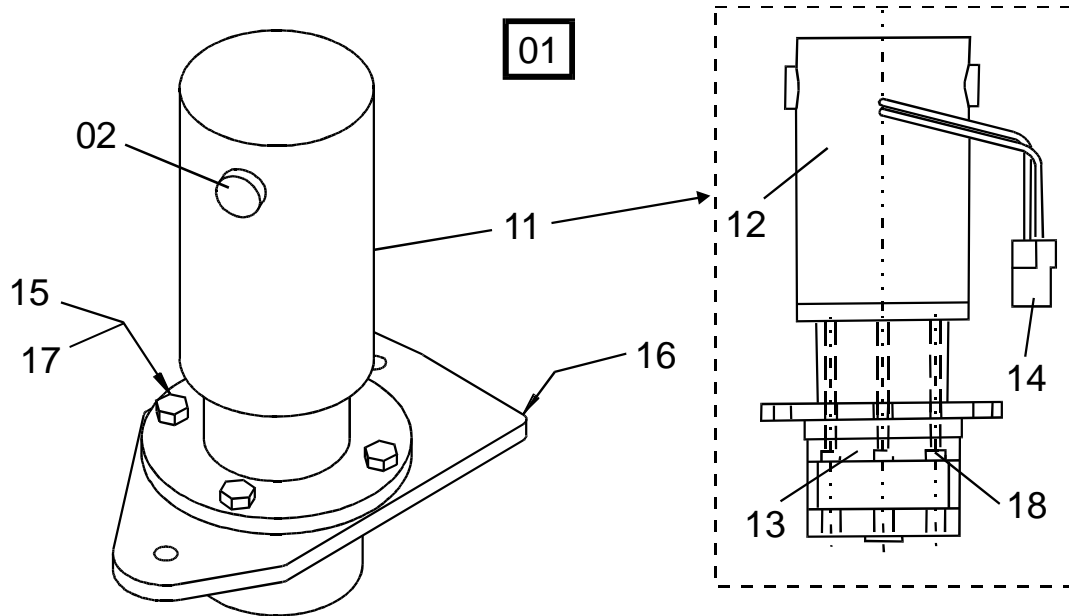
**5430-007 Motor cables, resistors**

[1996-09-09]

Effektkablar, effektmotstånd; Leistungskabeln, Widerstand; Cables moteur, resistances

			348 OS 1.0	262700 - 295606
Pos	Description	Pcs	Part No	Note
11	<b>Cable</b> Kabel; Kabel; Câble	1	143823	
12	<b>Cable</b> Kabel; Kabel; Câble	1	143824	
13	<b>Cable</b> Kabel; Kabel; Câble	1	143825	
14	<b>Cable</b> Kabel; Kabel; Câble	1	143822	
15	<b>Cable(40)</b> Kabel; Kabel; Câble	1	140819	
16	<b>Insulator</b> Isolator; Isolator; Isolateur	4	65183	
17	<b>Screw</b> Skruv; Schraube; Vis	8	27500	
18	<b>Washer</b> Bricka; Scheibe; Rondelle	4	21393	
19	<b>Nut</b> Mutter; Mutter; Erou	4	20045	
20	<b>Washer</b> Bricka; Scheibe; Rondelle	4	65184	
21	<b>Connector with cable complete(- / +)</b> Handske med kabel komplett; Stromstecker mit Kabel komplett.; Connexion fiche avec câble complete.	1	142459	
22	<b>Cable</b> Kabel; Kabel; Câble	1	142454	
23	<b>Cable</b> Kabel; Kabel; Câble	1	142455	
24	<b>Handle</b> Handtag; Handgriff; Poignée.	1	105116	
25	<b>Screw</b> Skruv; Schraube; Vis	2	26956	
26	<b>Nut</b> Mutter; Mutter; Erou	2	26957	
27	<b>Connector socket</b> Kabelhandske; Leistungverbinder; Connexion socle.	1	128373	
28	<b>Nut</b> Mutter; Mutter; Erou	2	20433	
29	<b>Screw</b> Skruv; Schraube; Vis	2	20871	
30	<b>Washer</b> Bricka; Scheibe; Rondelle	2	20375	
31	<b>Battery cable</b> Batterikabel; Batteriekabel; Câble de batterie	1	142452	
32	<b>Battery cable</b> Batterikabel; Batteriekabel; Câble de batterie	1	142453	
33	<b>Clamp</b> Klamma; Rohrschelle; Collier	2	20942	
34	<b>Connector socket</b> Kabelhandske; Leistungverbinder; Connexion socle.	1	128373	
35	<b>Bracket</b> Fäste; Halterung; Support	1	141167	

## 5830-003



## 5830-003 Electric steering motor

[1998-08-19]

Elektrisk styrmotor; Elektro-Lenkmotor; Moteur de direction électrique

Steering wheel system; Rattstyrning; Lenkrad steuerung; Volant de direction		348 OS 1.0	262700 - 336995	
Pos	Description	Pcs	Part No	Note
01	Steering motor(Complete) Styrmotor(Komplett); Steuerrungsmotor(Komplett); Module moteur de direction(Complett)	1	142703	
02	Carbon brush Kolborste; Kohlebürste; Charbon	2	29565	
11	Steering motor Styrmotor; Steuerrungsmotor; Module moteur de direction	1	142521	
12	Motor Motor; Motor; Moteur	1	139266	
13	Gear Växel; Getriebe; Engrenage	1	142520	
14	Conductor joint socket Hylsskarvdon; Leistungsverbinder hülse; Connexion socle	1	28685	
15	Screw Skruv; Schraube; Vis	4	21141	
16	Bracket Fäste; Halterung; Support	1	142516	
17	Washer Bricka; Scheibe; Rondelle	4	20404	
18	Screw Skruv; Schraube; Vis	4	29844	

## 7120-013 Chains / yokes / rollers

[1996-09-10]

Kedja/kedjeok/rullar; Kette / Kettenjoch / Rollen; Chaines / poulies

		348 OS 1.0		271426 - 336995	
Pos	Description	Pcs	Part No	Note	
11	Chain yoke(Complete) Kedjeok(Komplett); Kettenjoch(Komplett); Manchon porte chaine(Complett)	1	141493		
12	Cotter pin Saxpinne; Gespalter stift; Goupille fendue	1	28278		
13	Axle Axel; Achse; Axe	1	138727		
14	Chain yoke Kedjeok; Kettenjoch; Manchon porte chaine	1	141502		
15	Bush Bussning; Bague; Bague	2	138886		
16	Roller Rulle; Rolle; Roleau	4	148652		
21	Locking ring Spårring; Schliessring; Circlip	4	20008		
22	Washer Bricka; Scheibe; Rondelle	16	22707		
23	Guide Styrning; Steuerung; Guidage	4	143840		
24	Nut Mutter; Mutter; Ecrou	2	20006		
25	Nut Mutter; Mutter; Ecrou	2	20528		
26	Cotter pin Saxpinne; Gespalter stift; Goupille fendue	2	20312		
27	Lifting chain complete(L = 819 mm) Lyftkedja komplett; Hubkette Komplett; Chaîne d'élévation complet	1	141494-001		
27	Lifting chain complete(L = 914 mm) Lyftkedja komplett; Hubkette Komplett; Chaîne d'élévation complet	1	141494-002		
28	Axle Axel; Achse; Axe	2	127281		
29	Cotter pin Saxpinne; Gespalter stift; Goupille fendue	2	21445		
30	Anchor bolt Fästbult; Ankerbolzen; Boulon de fixation	2	100839		
31	Stop screw Stoppkruv; Einstellschraube; Vis de arretoire	1	25497		

CLICK HERE TO **DOWNLOAD** THE COMPLETE MANUAL

- Thank you very much for reading the preview of the manual.
- You can download the complete manual from: [www.heydownloads.com](http://www.heydownloads.com) by clicking the link below



- Please note: If there is no response to CLICKING the link, please download this PDF first and then click on it.

CLICK HERE TO **DOWNLOAD** THE COMPLETE MANUAL