

## Quality Parts

OP Coldstore; OPW Coldstore

Valid for machine number..... 338799 AA

Only valid for machine number.....

--	--	--	--	--	--	--	--

Ordering number..... 173069

Date ..... 1999-09-28/ ESDT

Language..... GB; SE; DE; FR

CLICK HERE TO **DOWNLOAD** THE COMPLETE MANUAL

- Thank you very much for reading the preview of the manual.
- You can download the complete manual from: [www.heydownloads.com](http://www.heydownloads.com) by clicking the link below



- Please note: If there is no response to CLICKING the link, please download this PDF first and then click on it.

CLICK HERE TO **DOWNLOAD** THE COMPLETE MANUAL

**0340-132 Inspection covers**

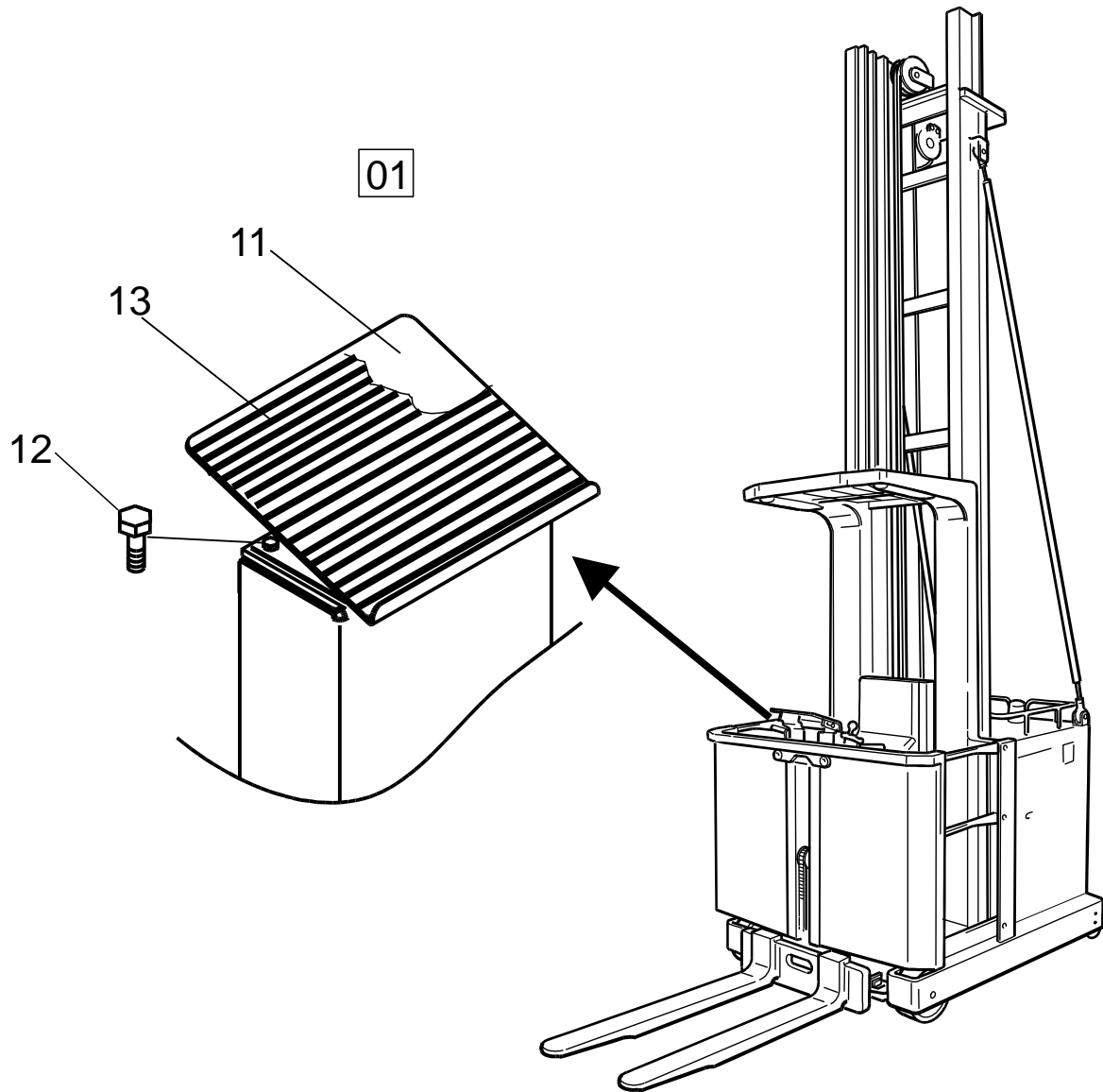
[1999-09-22]

Huvar, luckor; Hauben, Abdeckungen; Capots, couvercles

		652 OP 1000 Coldstore		338799 -	
		654 OPW Coldstore		340526 -	
Pos	Description	Pcs	Part No	Note	
11	<b>Door(Left)</b> Dörr(Vänster); Tür(Links); Porte(Gauche)	1	170633		
12	<b>Door(Right)</b> Dörr(Höger); Tür(Recht); Porte(Droit)	1	170634		
13	<b>Cover.</b> Lucka; Deckel; Couvercle	1	124428		
14	<b>Cover.</b> Lucka; Deckel; Couvercle	1	124429		
15	<b>Faucet</b> Låstapp; Schlossriegel; Fermeture	4	29508		
16	<b>Washer</b> Bricka; Scheibe; Rondelle	4	29510		
17	<b>Clip nut</b> Låsclips; Schlitzmutter; Tôle de ecrou	4	29509		
18	<b>Nit</b> Nit; Niet; Rivet	2	24664		
19	<b>Nit</b> Nit; Niet; Rivet	6	22064		
20	<b>Damper</b> Dåmpare; Dämpfer; Attenteur	7	28078		
21	<b>Plug</b> Plugg; Pfropf; Bouchon	2	127020		
24	<b>Stop bar</b> Anslag; Anschlag; Arret	1	170796		
25	<b>Pad</b> Underlägg; Underlagsplatte; Dessous	1	124394		
26	<b>Screw</b> Skruv; Schraube; Vis	2	20031		
27	<b>Washer</b> Bricka; Scheibe; Rondelle	2	21275		
28	<b>Rubber cloth</b> Gummiduk; Gummistoff; Toile caoutchouc	1	135005		



0680-053

**0680-053 Internal fittings**

Inredningsdetaljer; Einrichtungsteile; Accessoires intérieurs

[1999-09-01]

Pos	Description	Pcs	Part No	Note
01	Writing table(Complete) Skrivpulpet(Komplett); Stauscheibe(Komplett); Table(Complet)	1	170933	
11	Writing table Skrivpulpet; Stauscheibe; Table	1	172291	
12	Screw Skruv; Schraube; Vis	6	28328	
13	Rubber cloth Gummiduk; Gummistoff; Toile caoutchouc	1	154415	

**1760-011 Electric drive motor**

[1999-09-01]

Elektrisk åkmotor; Elektro-Fahrmotor; Moteur de traction électrique

		652 OP 1000 Coldstore		338799 -	
		654 OPW Coldstore		340526 -	
Pos	Description	Pcs	Part No	Note	
01	<b>Motor(Complete)</b> Motor(Komplett); Motor(Komplett); Moteur(Complet)	1	159738		
02	<b>Carbon brush</b> Kolborste; Kohlebürste; Charbon	8	136698		
03	<b>Brush bridge</b> Borstbrygga; Bürstenbrücke; Support de porte balais	1	172830		
11	<b>Sealing</b> Tätning; Dichtung; Joint	1	136701		
12	<b>Locking ring</b> Spårring; Schliessring; Circlip	1	136702		
13	<b>Bearing</b> Lager; Lager; Roulement	1	136700		
14	<b>Locking ring</b> Spårring; Schliessring; Circlip	1	20041		
15	<b>Brush spring</b> Borstfjäder; Bürstenfeder; Ressort de charbon	8	136699		
17	<b>Distance piece</b> Distans; Distanz; Distance	1	124396		
18	<b>Washer</b> Bricka; Scheibe; Rondelle	1	20013		
19	<b>Screw</b> Skruv; Schraube; Vis	4	21141		
20	<b>Sealing ring</b> Tätningsring; Dichtungsring; Bague d'étanchéité	1	29539		
21	<b>O-ring</b> O-ring; O-ring; Joint torique	1	21596		
22	<b>Sleeve</b> Hylsa; Hülse; Douille	1	73859		
23	<b>Bearing</b> Lager; Lager; Roulement	1	25932		
24	<b>Locking ring</b> Spårring; Schliessring; Circlip	1	20009		
25	<b>Locking ring</b> Spårring; Schliessring; Circlip	1	20041		
26	<b>Washer</b> Bricka; Scheibe; Rondelle	1	26216		
27	<b>Washer</b> Bricka; Scheibe; Rondelle	1	25940		
28	<b>Nut</b> Mutter; Mutter; Ecrou	1	21368		
29	<b>Screw</b> Skruv; Schraube; Vis	5	21935		
30	<b>Washer</b> Bricka; Scheibe; Rondelle	5	20404		



**5120-003 Lighting**

[1999-04-28]

Belysning; Beleuchtung; Eclairage

Pos	Description	Pcs	Part No	Note
			652 OP 1000 Coldstore 654 OPW Coldstore	338799 - 340526 -
11	Neon tube(Complete) Lysrör(Komplett); Neonröhre(Komplett); Neon allumage(Complet)	2	153250	
12	Housing Kåpa; Haus; Chape	2	151427	
13	Neon tube Lysrör; Neonröhre; Neon allumage	4	151426	
14	Transformer Transformator; Transformator; Transformateur	1	149201-002	
15	Screw Skruv; Schraube; Vis	4	27712	
16	Wiring harness Kablage; Kabelsatz; Câblage	1	170938	
17	Buzzer Summer; Summer; Ronfleur	1	23634	

CLICK HERE TO **DOWNLOAD** THE COMPLETE MANUAL

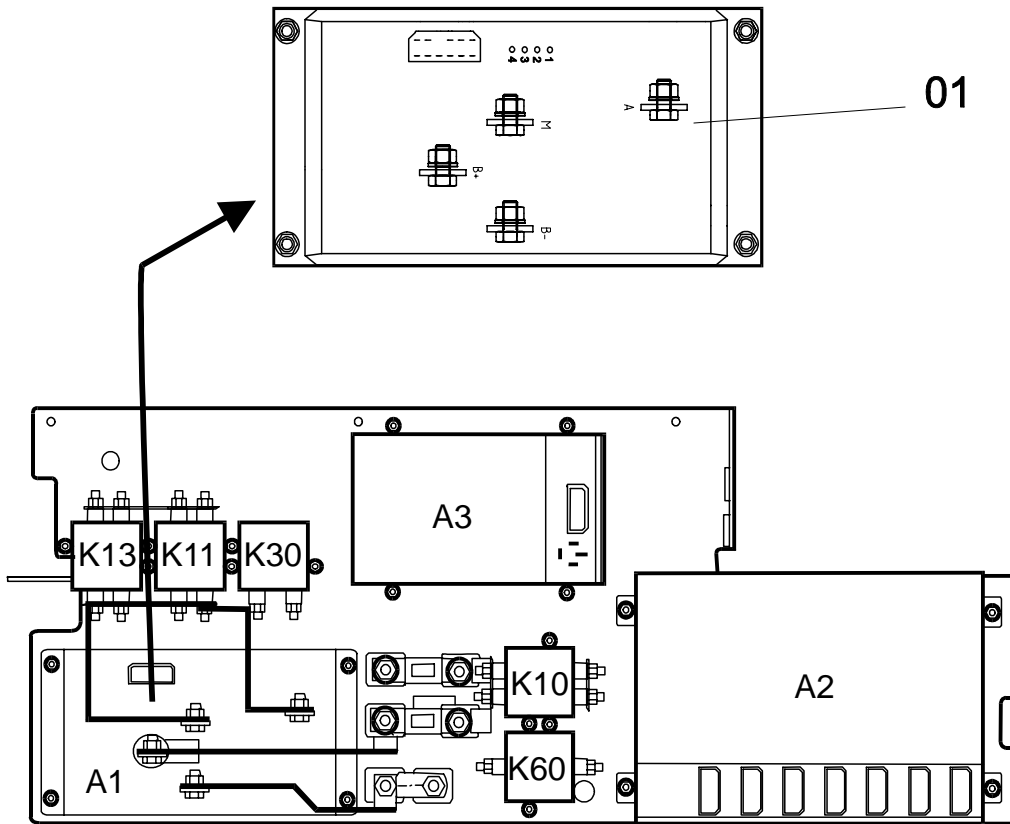
- Thank you very much for reading the preview of the manual.
- You can download the complete manual from: [www.heydownloads.com](http://www.heydownloads.com) by clicking the link below



- Please note: If there is no response to CLICKING the link, please download this PDF first and then click on it.

CLICK HERE TO **DOWNLOAD** THE COMPLETE MANUAL

5460-025



**5460-025 Transistor panel**

Transistorpanel ; Transistorpanel; Panneau transistor

[1999-04-26]

Pos	Description	Pcs	Part No	Note
01	Transistor controller Transistorregulator; Transistorregulator; Regulateur des transistors	1	142486-004	



**5820-013 Lift/lowering/reach movement probes/sensors**

[1999-09-08]

Lyft-/sänk-/skjutrörelse-givare/-sensor; Hub-/Senk-/Schubgeber/-sensor; Capteurs de levage/descente/rétraction

		652 OP 1000 Coldstore 338799 - 654 OPW Coldstore 340526 -		
Pos	Description	Pcs	Part No	Note
12	Altimeter(Complete) Höjdmätare(Komplett); Altimeter(Komplett); Altimètre(Complet)	1	168784	Triplex Hi - Lo
12	Altimeter(Complete) Höjdmätare(Komplett); Altimeter(Komplett); Altimètre(Complet)	1	169477	Duplex Hi - Lo
13	Roller Rulle; Rolle; Roleau	1	168194	Triplex Hi - Lo
13	Roller Rulle; Rolle; Roleau	1	169476	
14	Ball bearing Kullager; Kugellager; Roulement a billes	1	21425	
15	Locking ring Spårring; Schliessring; Circlip	1	20610	
16	Locking ring Spårring; Schliessring; Circlip	1	20004	
17	Bracket Fäste; Halterung; Support	1	168195	
18	Washer Bricka; Scheibe; Rondelle	1	20404	
19	Screw Skruv; Schraube; Vis	1	20078	
20	Bracket Fäste; Halterung; Support	1	168789	
21	Bracket Fäste; Halterung; Support	1	137646	
22	Screw Skruv; Schraube; Vis	3	28715	
23	Screw Skruv; Schraube; Vis	1	23181	
24	Pulse transducer Pulsgivare; Pulsometer; Générateur d'impulsions	1	168788	
25	Nut Mutter; Mutter; Erou	2	20235	
26	Screw(Loop) Skruv(Ögla); Schraube(Öhr); Vis(Boucle)	1	137720	
27	Bracket Fäste; Halterung; Support	1	173393	
28	Cable lock Wirelås; Seilschloss; Blocage de tige	2	143384	
29	Screw Skruv; Schraube; Vis	2	22333	
30	Screw Skruv; Schraube; Vis	2	21935	
31	Nut Mutter; Mutter; Erou	4	20255	
32	Washer Bricka; Scheibe; Rondelle	4	22417	
33	Damper Dämpare; Dämpfer; Attenteur	2	136060	
34	Screw Skruv; Schraube; Vis	2	28858	
35	Bracket Fäste; Halterung; Support	1	168017	
36	Magnet switch Magnetbrytare; Magnetschalter; Rupteur de bobine	1	132070-100	
37	Magnet Magnet; Magnet; Magnétique	1	126373	
38	Wiring harness Kablage; Kabelsatz; Câblage	1	171151	Duplex Hi - Lo
38	Wiring harness Kablage; Kabelsatz; Câblage		171152	Triplex Hi - Lo



**6230-021 Hydraulic lines chassis**

[1999-09-23]

Chassimonterade hydraulledningar; Hydraulikleitungen Chassis; Circuits hydrauliques châssis

		652 OP 1000 Coldstore		338799 -	
		654 OPW Coldstore		340526 -	
Pos	Description	Pcs	Part No	Note	
11	Connection Koppling; Kupplung; Raccord	3	127927-008		
12	Connection Koppling; Kupplung; Raccord	3	127926-008		
13	Connection Koppling; Kupplung; Raccord	2	28107		
14	Nipple Nippel; Nippel; Nipple	1	139788-118		
15	Hose(Meter) Slang(Meter); Schlauch(Meter); Tuyau flexible(Metre)		28108	430 mm	
16	Hose(Meter) Slang(Meter); Schlauch(Meter); Tuyau flexible(Metre)		28108	370 mm	
17	Hose(Meter) Slang(Meter); Schlauch(Meter); Tuyau flexible(Metre)		28108	410mm 410 mm; 410 mm; 410 mm	
18	Hose(Meter) Slang(Meter); Schlauch(Meter); Tuyau flexible(Metre)		28108	275 mm	
19	Clamp Klamma; Rohrschelle; Collier	1	24534		
20	Hose Slang; Schlauch; Tuyau flexible	1	109273-002		
21	Clamp Klamma; Rohrschelle; Collier	2	28440		
22	Nipple Nippel; Nippel; Nipple	1	142511-008		

**6610-027 Main lift cylinders**

[1999-09-23]

Huvudlyftcylindrar; Haupthubzylinder; Vérin de levage, principal

Triplex Hi - Lo		652 OP 1000 Coldstore 654 OPW Coldstore		338799 - 340526 -	
Pos	Description	Pcs	Part No	Note	
01	Lifting cylinder compl Lyftcylinder kompl.; Hubzylinder Kompl.; Verin de levage compl.	2	168016-470		
01	Lifting cylinder compl Lyftcylinder kompl.; Hubzylinder Kompl.; Verin de levage compl.	2	168016-550		
01	Lifting cylinder compl Lyftcylinder kompl.; Hubzylinder Kompl.; Verin de levage compl.	2	168016-610		
01	Lifting cylinder compl Lyftcylinder kompl.; Hubzylinder Kompl.; Verin de levage compl.	2	168016-730		
01	Lifting cylinder compl Lyftcylinder kompl.; Hubzylinder Kompl.; Verin de levage compl.	2	168016-820		
01	Lifting cylinder compl Lyftcylinder kompl.; Hubzylinder Kompl.; Verin de levage compl.	2	168016-950		
03	Cylinder pipe Cylinderrör; Zylinderrohr; Tube de cylindre	2	171728-470		
03	Cylinder pipe Cylinderrör; Zylinderrohr; Tube de cylindre	2	171728-550		
03	Cylinder pipe Cylinderrör; Zylinderrohr; Tube de cylindre	2	171728-610		
03	Cylinder pipe Cylinderrör; Zylinderrohr; Tube de cylindre	2	171728-730		
03	Cylinder pipe Cylinderrör; Zylinderrohr; Tube de cylindre	2	171728-820		
03	Cylinder pipe Cylinderrör; Zylinderrohr; Tube de cylindre	2	171728-950		
05	Piston rod Kolvstång; Kolbenstange; Tige de piston	2	171726-470		
05	Piston rod Kolvstång; Kolbenstange; Tige de piston	2	171726-550		
05	Piston rod Kolvstång; Kolbenstange; Tige de piston	2	171726-610		
05	Piston rod Kolvstång; Kolbenstange; Tige de piston	2	171726-730		
05	Piston rod Kolvstång; Kolbenstange; Tige de piston	2	171726-820		
05	Piston rod Kolvstång; Kolbenstange; Tige de piston	2	171726-950		
11	Packing set Packningssats; Packungssatz; Jeux d' étanchéité.	2	171733		
12	Support Hållare; Stossfänger; Absorber des chocs	2	171731		
13	Ring Ring; Ring; Bague	2	171727		
14	Ring Ring; Ring; Bague	2	171729		
15	Locking ring Spårring; Schliessring; Circlip	2	171732		
16	Restriction valve Sänkbromsventil; Drosselventil; Soupape de reduction	2	24154		
17	Screw Skruv; Schraube; Vis	4	29780		
18	Washer Bricka; Scheibe; Rondelle	4	126723-004		
19	Washer Bricka; Scheibe; Rondelle	2	168015		
20	Washer Bricka; Scheibe; Rondelle	4	21237		
21	Screw Skruv; Schraube; Vis	2	28709		
22	Washer Bricka; Scheibe; Rondelle	4	126723-004		



**7130-010 Main mast fork carriage**

[1996-12-19]

Huvudstativokvagn; Gabel-/Aggregatträger Haupthubergüst; Tablier porte-fourches mât principal

		652 OP 1000 Coldstore 338799 - 654 OPW Coldstore 340526 -		
Pos	Description	Pcs	Part No	Note
11	Fork yoke(L = 1200 mm) Gaffelok; Gabeljoch; Porte-fourche	1	141762-030	
11	Fork yoke(L = 850 mm) Gaffelok(L = 850 mm); Gabeljoch(L = 850 mm); Porte-fourche(L = 850 mm)	1	147162-010	
12	Link Länk; Gelenk; Bras	1	117712	
13	Washer Bricka; Scheibe; Rondelle	2	20404	
14	Cotter pin Saxpinne; Gespalter stift; Goupille fendue	2	26960	
15	Bolt Bult; Bolzen; Boulon	1	117713	
16	Cotter pin Saxpinne; Gespalter stift; Goupille fendue	1	21441	
17	Pin Tapp; Zapfen; Pivot	1	118124	
18	Adjusting screw Justerskruv; Einstellschraube; Goujon reglage	4	118125	
19	Stop screw Stoppskruv; Einstellschraube; Vis de arretoire	4	26828	
20	Locking ring Spårring; Schliessring; Circlip	4	20008	
21	Ball bearing Kullager; Kugellager; Roulement a billes	4	28546	
22	Screw Skruv; Schraube; Vis	2	20078	
23	Washer Bricka; Scheibe; Rondelle	2	55464	

CLICK HERE TO **DOWNLOAD** THE COMPLETE MANUAL

- Thank you very much for reading the preview of the manual.
- You can download the complete manual from: [www.heydownloads.com](http://www.heydownloads.com) by clicking the link below



- Please note: If there is no response to CLICKING the link, please download this PDF first and then click on it.

CLICK HERE TO **DOWNLOAD** THE COMPLETE MANUAL