

## Quality Parts

LSV 1600

Valid for machine number..... 354260AA-

Only valid for machine number..... 

--	--	--	--	--	--	--	--

Ordering number ..... 174439

Date ..... 2000-03-29/ ESDG

Language..... GB; SE; DE; FR

CLICK HERE TO **DOWNLOAD** THE COMPLETE MANUAL

- Thank you very much for reading the preview of the manual.
- You can download the complete manual from: [www.heydownloads.com](http://www.heydownloads.com) by clicking the link below



- Please note: If there is no response to CLICKING the link, please download this PDF first and then click on it.

CLICK HERE TO **DOWNLOAD** THE COMPLETE MANUAL

**0390-026 Battery compartment parts**

[1998-03-24]

Batteriutrymmesdelar; Batterieraumteile; Pièce de compartiment batterie

Pos	Description	Pcs	Part No	Note
01	<b>Battery catch(Complete)</b> Batteristopp(Komplett); Batteristopf(Komplett); Arret de batterie(Complet)	1	126885	
02	<b>Catch</b> Spärr; Sperre; Arret	1	101182	
03	<b>Roller(Complete)</b> Rulle(Komplett); Rolle(Komplett); Roleau(Complet)	4	138651-002	
04	<b>Roller bearing</b> Rullager; Rollenlager; Palier à rouleaux	8	26974	
05	<b>Roller</b> Rulle; Rolle; Roleau	4	138650-002	
06	<b>Axle</b> Axel; Achse; Axe	4	138649-002	
07	<b>Locking ring</b> Spärring; Schliessring; Circlip	8	20207	

**0840-021 Driver protection**

[1998-07-29]

Förarskydd; Fahrerschutz; Protection de cariste

		276 LSV 1600	292314 -
Pos	Description	Pcs	Part No
01	<b>Gate(Left)</b> Grind(Vänster); Schranke(Links); Barrière(Gauche)	1	127043
02	<b>Washer</b> Bricka; Scheibe; Rondelle	2	21394
03	<b>Screw</b> Skruv; Schraube; Vis	2	21816
04	<b>Consol</b> Konsol; Konsole; Console	1	152313
05	<b>Cotter pin</b> Saxpinne; Gespalter stift; Goupille fendue	2	20312
06	<b>Pin</b> Tapp; Zapfen; Pivot	2	28477
07	<b>Lock plunger</b> Låskolv; Schlossriegel; Fermeture	1	127052
08	<b>Spring</b> Fjäder; Feder; Ressort	1	24055
09	<b>Knob</b> Knopp; Knopf; Bouton	1	127053-002
10	<b>Gate(Right)</b> Grind(Höger); Schranke(Recht); Barrière(Droit)	1	127044
11	<b>Clamp</b> Klamma; Rohrschelle; Collier	2	127523
12	<b>Spring</b> Fjäder; Feder; Ressort	1	29954

**2550-017 Mechanical drive gear unit**

[1999-05-25]

Drivaggregat/-växel; Antriebsaggregat/-getriebe; Groupe de traction, réducteur

			276 LSV 1600	277198 -
Pos	Description	Pcs	Part No	Note
01	Driving gear compl. Drivväxel kompl.; Antriebssatz kompl.; Groupe de entrainement compl.	1	170540	
11	Dip stick Oljesticka; Ölmesstab; Jauge d'huile	1	135915	
12	Washer Bricka; Scheibe; Rondelle	1	28998	
13	Shim(0,05mm) Shims; Schim; Cale		27220	
13	Shim(0,1mm) Shims; Schim; Cale		27221	
13	Shim(0,2mm) Shims; Schim; Cale		27222	
13	Shim(0,3mm) Shims; Schim; Cale		27223	
13	Shim(0,5mm) Shims; Schim; Cale		27224	
13	Shim(1 mm) Shims; Schim; Cale		27225	
14	Screw Skruv; Schraube; Vis	4	21141	
15	Shim(0,05mm) Shims; Schim; Cale		27232	
15	Shim(0,1mm) Shims; Schim; Cale		27233	
15	Shim(0,2mm) Shims; Schim; Cale		27234	
15	Shim(0,3mm) Shims; Schim; Cale		27235	
15	Shim(0,5 mm) Shims; Schim; Cale		27236	
15	Shim(1 mm) Shims; Schim; Cale		27237	
16	Roller bearing Rullager; Rollenlager; Palier à rouleaux	1	27208	
17	Spare part kit : Bevel gear Reservdelssats : Koniskt kugghjul; Satz : Kegelrad; Jeux : Roue conique à denture droite	1	101092	
18	Nut Mutter; Mutter; Ecrou	1	101098	
19	Washer Bricka; Scheibe; Rondelle	1	23604	
20	Roller bearing Rullager; Rollenlager; Palier à rouleaux	1	27206	
21	Shim(0,05mm) Shims; Schim; Cale		27238	
21	Shim(0,1mm) Shims; Schim; Cale		27239	
21	Shim(0,2mm) Shims; Schim; Cale		27240	
21	Shim(0,3mm) Shims; Schim; Cale		27241	
21	Shim(0,5mm) Shims; Schim; Cale		27242	
21	Shim(1 mm) Shims; Schim; Cale		27243	
22	Screw Skruv; Schraube; Vis	2	28519	
24	Screw Skruv; Schraube; Vis	2	20276	
25	Cap Lock; Deckel; Couvercle	1	127280	

**4110-081 Steering arm / wheel / lever**

[1999-05-07]

Styr- arm/ratt/spak; Deichsel, Lenkrad-hebel; Timon/volant/levier de direction

Machine with driver platform; Maskin med förarplattform; Maschine mit Fahrerplattform; Machine avec plateforme du conducteur		276 LSV 1600	277198 -	
Pos	Description	Pcs	Part No	Note
01	Cap Lock; Deckel; Couvercle	1	142975	Cold stores Fryshus; Gefrieranlage; Chambre frigorifique
02	Cap Lock; Deckel; Couvercle	1	142252	
03	Screw Skruv; Schraube; Vis	8	28545	
04	Screw Skruv; Schraube; Vis	2	24470	
05	Nut Mutter; Mutter; Ecrou	2	25437	
06	Handle Handtag; Handgriff; Poignée.	1	141846	
07	Nut Mutter; Mutter; Ecrou	2	20016	
08	Washer Bricka; Scheibe; Rondelle	2	20404	
09	Guide Genomföring; Durcgführung; Guide	1	21957	
10	Screw Skruv; Schraube; Vis	4	28545	Cold stores Fryshus; Gefrieranlage; Chambre frigorifique
11	Heater(With wiring harness) Värmare(Med kablage); Heizer(Mit Kabelsatz); Calorie(Avec Câblage)	1	153396	
12	Cap Lock; Deckel; Couvercle	1	142250	
13	Screw Skruv; Schraube; Vis	2	20276	
14	Cap Lock; Deckel; Couvercle	1	141816	
15	Locking pin Spännstift; Spannstift; Goupille	1	22128	
16	Axle Axel; Achse; Axe	1	101202	
17	Screw Skruv; Schraube; Vis	1	28338	
18	Nut Mutter; Mutter; Ecrou	2	20130	
19	Washer Bricka; Scheibe; Rondelle	2	21393	240 Ah
20	Stud screw Pinnskruv; Stiftschraube; Prisonnier	3	142817-001	
20	Stud screw Pinnskruv; Stiftschraube; Prisonnier	3	142817-003	
20	Stud screw Pinnskruv; Stiftschraube; Prisonnier	3	142817-004	280 Ah
21	Washer Bricka; Scheibe; Rondelle	1	21393	
22	Nut Mutter; Mutter; Ecrou	1	20130	
23	Distance pipe Distansrör; Abstandsrohr; Tube entretoise	1	118571-002	
23	Distance pipe Distansrör; Abstandsrohr; Tube entretoise	1	142797-003	320 Ah
23	Distance pipe Distansrör; Abstandsrohr; Tube entretoise	1	142797-004	280 Ah
24	Guide Genomföring; Durcgführung; Guide	1	130184	
26	Bracket Fäste; Halterung; Support	1	126829	

**5310-025 Start/stop switch**

[1998-02-03]

Start/stopströmställare; Schalter Fahren/Anhalten; Interrupteur (coupe-circuit) démarrage/arrêt

Pos	Description	Pcs	Part No	Note
			276 LSV 1600	271117 -
01	<b>Screw</b> Skruv; Schraube; Vis	4	28835	Cold stores Fryshus; Gefrieranlage; Chambre frigorifique
02	<b>Guide(Rubber)</b> Genomföring(Gummi); Durcgführung(Gummi); Guide(Gomme)	1	22687	Cold stores Fryshus; Gefrieranlage; Chambre frigorifique
03	<b>Cap</b> Lock; Deckel; Couvercle	1	142934	Cold stores Fryshus; Gefrieranlage; Chambre frigorifique
04	<b>Fitting</b> Förskruvning; Verschraubung; Presse-étoupe	1	27659	Cold stores Fryshus; Gefrieranlage; Chambre frigorifique
05	<b>Screw</b> Skruv; Schraube; Vis	2	27872	Cold stores Fryshus; Gefrieranlage; Chambre frigorifique
06	<b>Washer</b> Bricka; Scheibe; Rondelle	2	21317	Cold stores Fryshus; Gefrieranlage; Chambre frigorifique
07	<b>Switch</b> Brytare; Schalter; Rupteur	1	26864	Cold stores Fryshus; Gefrieranlage; Chambre frigorifique
08	<b>Screw</b> Skruv; Schraube; Vis	2	28835	Cold stores Fryshus; Gefrieranlage; Chambre frigorifique
09	<b>Washer</b> Bricka; Scheibe; Rondelle	2	21317	Cold stores Fryshus; Gefrieranlage; Chambre frigorifique
10	<b>Plate</b> Plåt; Platte; Plaque	1	126088	Cold stores Fryshus; Gefrieranlage; Chambre frigorifique
11	<b>Screw</b> Skruv; Schraube; Vis	2	20250	Cold stores Fryshus; Gefrieranlage; Chambre frigorifique
12	<b>Washer</b> Bricka; Scheibe; Rondelle	2	21307	Cold stores Fryshus; Gefrieranlage; Chambre frigorifique
13	<b>Cam</b> Nock; Nocken; Came	1	130528	Cold stores Fryshus; Gefrieranlage; Chambre frigorifique
14	<b>Screw</b> Skruv; Schraube; Vis	2	22256	
15	<b>Washer</b> Bricka; Scheibe; Rondelle	2	21392	
16	<b>Switch</b> Brytare; Schalter; Rupteur	1	28441	
17	<b>Bracket</b> Fäste; Halterung; Support	1	134218	
18	<b>Washer</b> Bricka; Scheibe; Rondelle	2	21392	
19	<b>Screw</b> Skruv; Schraube; Vis	2	22256	
20	<b>Ignition switch</b> Startlås; Zündschloss; Contact-démarrreur	1	26701	8 km / h
20	<b>Ignition switch</b> Startlås; Zündschloss; Contact-démarrreur	1	28554	

CLICK HERE TO **DOWNLOAD** THE COMPLETE MANUAL

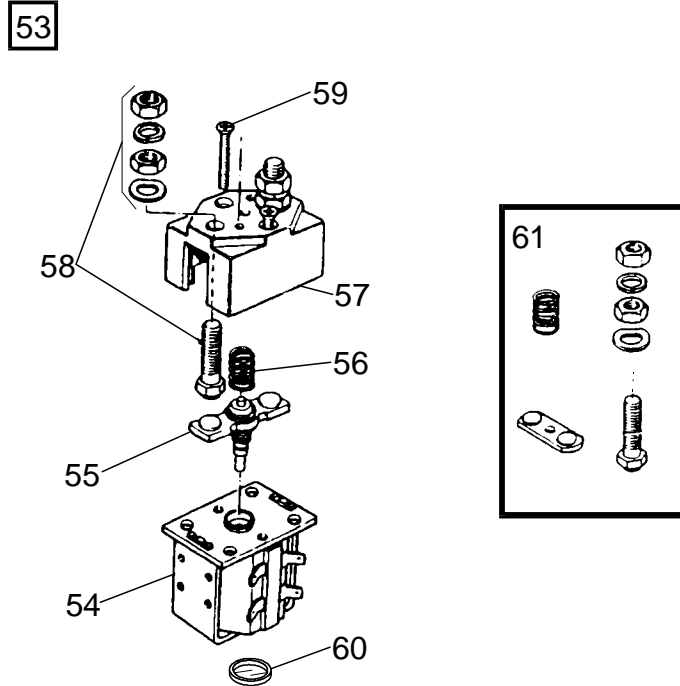
- Thank you very much for reading the preview of the manual.
- You can download the complete manual from: [www.heydownloads.com](http://www.heydownloads.com) by clicking the link below



- Please note: If there is no response to CLICKING the link, please download this PDF first and then click on it.

CLICK HERE TO **DOWNLOAD** THE COMPLETE MANUAL

5610-008

**5610-008 Pump contactor**

Pumpkontaktör; Pumpenmotorkontaktör; Contacteur (moteur) de pompe

[1999-05-31]

Pos	Description	Pcs	Part No	Note
53	Contactör Kontaktör; Kontaktör; Contacteur	1	154548	
54	Magnetic coil Magnetspole; Magnetspule; Bobine électrique	1	154554	
55	Contact Kontakt; Kontakt; Contact	1	154553	
56	Spring Fjäder; Feder; Ressort	1	154552	
57	Housing Kåpa; Haus; Chape	1	154550	
58	Fixed contact(Complete) Fast kontakt(Komplett); Fester Kontakt(Komplett); Contact fixé(Complet)	2	154551	
59	Screw Skruv; Schraube; Vis	2	154549	
60	Housing Kåpa; Haus; Chape	1	165416	
61	Contact set Kontaktsats; Kontaktsatz; Jeux de contact	1	169214	

**6200-001 Hydraulic system chassi mounted**

[1998-03-17]

Hydraulsystem chassimonterat; Hydraulikanlage Chassis; Système hydraulique châssis

		276 LSV 1600	268826 -	
Pos	Description	Pcs	Part No	Note
11	<b>Knob</b> Knopp; Knopf; Bouton	1	20080	
12	<b>Lever</b> Spak; Hebel; Levier	1	141746	
13	<b>Locking pin</b> Spännstift; Spannstift; Goupille	2	20001	
14	<b>Washer</b> Bricka; Scheibe; Rondelle	2	20882	
15	<b>Axle</b> Axel; Achse; Axe	1	119439	
16	<b>Link</b> Länk; Gelenk; Bras	1	27901	
17	<b>Bush</b> Bussning; Bague; Bague	2	140174	
18	<b>Washer</b> Bricka; Scheibe; Rondelle	2	21275	
19	<b>Screw</b> Skruv; Schraube; Vis	2	20031	
20	<b>Bracket</b> Fäste; Halterung; Support	1	132985	
21	<b>Pressure reducing valve</b> Tryckbegränsningsventil; Druckreduzierventil; Soupape de réglage de pression	1	132987	
22	<b>Screw</b> Skruv; Schraube; Vis	2	22548	
23	<b>Micro switch</b> Mikrobrytare; Mikroschalter; Interrupteurs	1	156278	
24	<b>Nut</b> Mutter; Mutter; Erou	2	22549	
25	<b>Valve</b> Ventil; Ventil; Soupape	1	130556	
26	<b>Pressure spring</b> Tryckfjäder; Druckfeder; Ressort de pression	1	132988	
27	<b>Packing set</b> Packningssats; Packungssatz; Jeux d'étanchéité.	1	132979	
30	<b>Connection</b> Koppling; Kupplung; Raccord	1	119545	
31	<b>Clamp</b> Klamma; Rohrschelle; Collier	2	28691	
32	<b>Hose</b> Slang; Schlauch; Tuyau flexible	1	147403	
33	<b>Connection</b> Koppling; Kupplung; Raccord	1	26572	
34	<b>Hose</b> Slang; Schlauch; Tuyau flexible	1	120674	
35	<b>Connection</b> Koppling; Kupplung; Raccord	1	28941	
36	<b>Hose</b> Slang; Schlauch; Tuyau flexible	1	142809	
37	<b>Hose</b> Slang; Schlauch; Tuyau flexible	1	127303	
38	<b>Clamp</b> Klamma; Rohrschelle; Collier	2	28691	
39	<b>Hose</b> Slang; Schlauch; Tuyau flexible	1	135321	
40	<b>Connection</b> Koppling; Kupplung; Raccord	2	20864	
41	<b>Hose</b> Slang; Schlauch; Tuyau flexible	1	142810	
42	<b>Connection</b> Koppling; Kupplung; Raccord	1	28947	

**6320-005 Mast hydraulic lines**

[1998-05-25]

Stativhydraulledningar; Hydraulikleitungen Hubeinrichtung; Circuits hydrauliques mât

Duplex Tele		276 LSV 1600	268826 -	
Pos	Description	Pcs	Part No	Note
11	Pipe Rör; Rohr; Tube	1	105430	
12	Connection Koppling; Kupplung; Raccord	2	29532	
13	Connection Koppling; Kupplung; Raccord	2	28781	
14	Connection Koppling; Kupplung; Raccord	2	28801	
15	Restriction valve Sänkbromsventil; Drosselventil; Soupape de reduction	1	29670	
16	Connection Koppling; Kupplung; Raccord	1	28947	
17	Pipe Rör; Rohr; Tube	1	105431	
20	Connector unit Kopplingsstycke; Kupplungsstück; Raccordement	1	101292	
21	Reducer Reducering; Reduzierung; Réduction	1	26273	
22	Hose(Meter) Slang(Meter); Schlauch(Meter); Tuyau flexible(Metre)		28108	
23	Connection Koppling; Kupplung; Raccord	2	21994	



## 6620-027 Free lift cylinder

[2000-01-26]

Frilyftscylinder; Freihubzylinder; Vérin de levée libre

Triplex Hi-Lo		276 LSV 1600	354260 -	
Pos	Description	Pcs	Part No	Note
01	Cylinder compl. Cylinder kompl.; Zylinder kompl.; Verin compl.	1	161950-335	Lift height = 3350 mm Lyfthöjd = 3350 mm; Hubhöhe = 3350 mm; Hauteur d'élévation = 3350 mm
01	Cylinder compl. Cylinder kompl.; Zylinder kompl.; Verin compl.	1	161950-375	Lift height = 3750 mm Lyfthöjd = 3750 mm; Hubhöhe = 3750 mm; Hauteur d'élévation = 3750 mm
01	Cylinder compl. Cylinder kompl.; Zylinder kompl.; Verin compl.	1	161950-415	Liftheigt = 4150 mm Lyfthöjd = 4150 mm; Hubhöhe = 4150 mm; Hauteur d'élévation = 4150 mm
01	Cylinder compl. Cylinder kompl.; Zylinder kompl.; Verin compl.	1	161950-440	Lift height = 4400 mm Lyfthöjd = 4400 mm; Hubhöhe = 4400 mm; Hauteur d'élévation = 4400 mm
01	Cylinder compl. Cylinder kompl.; Zylinder kompl.; Verin compl.	1	161950-480	Liftheight = 4800 mm Lyfthöjd = 4800 mm; Hubhöhe = 4800 mm; Hauteur de levee = 4800 mm
01	Cylinder compl. Cylinder kompl.; Zylinder kompl.; Verin compl.	1	161950-540	Lift height = 5400 mm Lyfthöjd = 5400 mm; Hubhöhe = 5400 mm; Hauteur de levee = 5400 mm
02	Packing set Packningssats; Packungssatz; Jeux d'étanchéité.	1	161948	
03	Cylinder pipe Cylinderrör; Zylinderrohr; Tube de cylindre	1	161944-335	
03	Cylinder pipe Cylinderrör; Zylinderrohr; Tube de cylindre	1	161944-375	
03	Cylinder pipe Cylinderrör; Zylinderrohr; Tube de cylindre	1	161944-415	
03	Cylinder pipe Cylinderrör; Zylinderrohr; Tube de cylindre	1	161944-440	
03	Cylinder pipe Cylinderrör; Zylinderrohr; Tube de cylindre	1	161944-480	
03	Cylinder pipe Cylinderrör; Zylinderrohr; Tube de cylindre	1	161944-540	
04	Piston Kolv; Kolben; Piston	1	155834	
05	Piston rod Kolvstång; Kolbenstange; Tige de piston	1	155742-335	
05	Piston rod Kolvstång; Kolbenstange; Tige de piston	1	155742-375	
05	Piston rod Kolvstång; Kolbenstange; Tige de piston	1	155742-415	
05	Piston rod Kolvstång; Kolbenstange; Tige de piston	1	155742-440	
05	Piston rod Kolvstång; Kolbenstange; Tige de piston	1	155742-480	
05	Piston rod Kolvstång; Kolbenstange; Tige de piston	1	155742-540	
11	Guide Styrning; Steuerung; Guidage	1	161946	
12	Bracket Fäste; Halterung; Support	1	151949	
13	Valve Ventil; Ventil; Soupape	1	29773	
14	Screw Skruv; Schraube; Vis	2	20996	
15	Air bleeder Luftventil; Luftnippel; Soupape ( air )	1	24325	

## Quality Parts

7100-029

Pos	Description	Pcs	Part No	Note
62	<b>Cotter pin</b> Saxpinne; Gespalter stift; Goupille fendue	8	21445	
63	<b>Chain bolt</b> Kedjebult; Kettenbolzen; Tourillon de chaine	4	105814	
64	<b>Axle</b> Axel; Achse; Axe	1	105392	
65	<b>Screw</b> Skruv; Schraube; Vis	1	23006	
66	<b>Washer</b> Bricka; Scheibe; Rondelle	1	20236	
67	<b>Screw</b> Skruv; Schraube; Vis	2	21750	
68	<b>Damper</b> Dämpare; Dämpfer; Attenteur	2	105388	
69	<b>Washer</b> Bricka; Scheibe; Rondelle		119374	

CLICK HERE TO **DOWNLOAD** THE COMPLETE MANUAL

- Thank you very much for reading the preview of the manual.
- You can download the complete manual from: [www.heydownloads.com](http://www.heydownloads.com) by clicking the link below



- Please note: If there is no response to CLICKING the link, please download this PDF first and then click on it.

CLICK HERE TO **DOWNLOAD** THE COMPLETE MANUAL