

Quality Parts

LST 1350 / LSV 1250

Valid for machine number..... 406473 AA-

Only valid for machine number.....

--	--	--	--	--	--	--	--

Ordering number 180660

Date 2001-05-08 / ITS / ESID

Language..... GB SE DE FR

CLICK HERE TO **DOWNLOAD** THE COMPLETE MANUAL

- Thank you very much for reading the preview of the manual.
- You can download the complete manual from: www.heydownloads.com by clicking the link below



- Please note: If there is no response to CLICKING the link, please download this PDF first and then click on it.

CLICK HERE TO **DOWNLOAD** THE COMPLETE MANUAL

0340-062 Inspection covers

[2001-05-08]

Huvar, luckor; Hauben, Abdeckungen; Capots, couvercles

" BT "			277 LSV 1250 278 LST 1350	287167 - 287167 -
Pos	Description	Pcs	Part No	Note
08	Dust guard Damask; Gamaschen; Dispositif de protection	1	112004	
09	Cover Huv; Haube; Capot	1	111967-030	
10	Cover Huv; Haube; Capot	1	111968-030	
11	Screw Skruv; Schraube; Vis	2	27564	
12	Housing Kåpa; Haus; Chape	1	155654	
13	Screw Skruv; Schraube; Vis	4	28474	
14	Nut Mutter; Mutter; Ecrou	2	127035-004	
15	Housing Kåpa; Haus; Chape	1	101225-030	Standard design Standardutförande; Normalaus- rüstung
15	Housing Kåpa; Haus; Chape	1	134663	
16	Instrument panel Instrumentpanel; Instrumentpaneel; Panneau des instrument	1	145936	Standard design Standardutförande; Normalaus- rüstung
16	Instrument panel(Machine width 790 mm) Instrumentpanel(Maskinbredd 790 mm); Instrumentpaneel(Breite der Maschine 790 mm); Panneau des instrument(Largeur de machine 790 mm)	1	153115	
17	Screw Skruv; Schraube; Vis	11	28474	
18	Plate(Battery compartment + 100 mm) Plåt(Batteriutrymme + 100 mm); Platte(Batteriraum +100 mm); Plaque(Compartiment de batterie + 100 mm)	1	134771	
19	Battery door Batterilucka; Batterietür; Porte de batterie	1	127080	Standard design Standardutförande; Normalaus- rüstung
19	Battery door(Machine width 790 mm) Batterilucka(Maskinbredd 790 mm); Batterietür(Breite der Maschine 790 mm); Porte de batterie(Largeur de machine 790 mm)	1	153081	

0820-103 Finger/foot guards

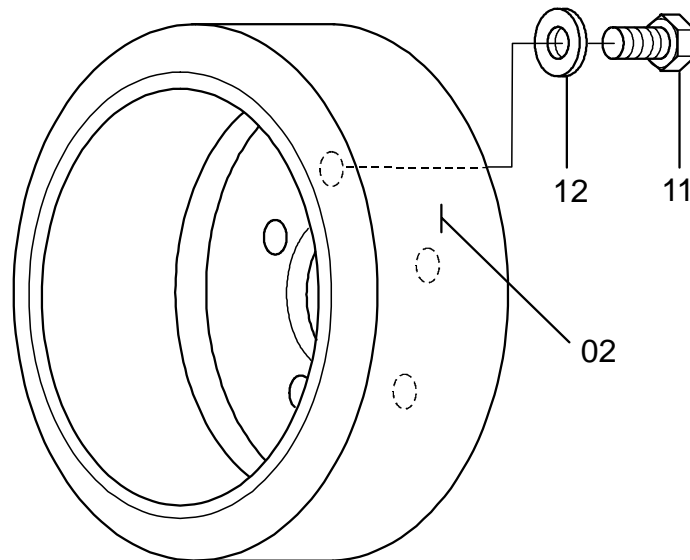
[2001-05-08]

Finger-/fotskydd; Finger-/ Fusschutz; Protection de doigts/pieds anti-écrasement

Pos	Description	Pcs	Part No	Note
			277 LSV 1250 278 LST 1350	406473 - 406473 -
10	Clamp Klamma; Rohrschelle; Collier	6	28937	
11	Screw Skruv; Schraube; Vis	2	21273	
11	Screw Skruv; Schraube; Vis	4	22724	
12	Bracket Fäste; Halterung; Support	6	129399	
13	Rubber washer Gummibricka; Gummischeibe; Rondelle de caoutchouc	6	139742	
14	Nut Mutter; Mutter; Ecrou	2	20235	
14	Nut Mutter; Mutter; Ecrou	6	21094	
15	Finger cover Fingerskydd; Fingerschutz; Protège main	1	170849	h1 > 2065 mm
15	Finger cover Fingerskydd; Fingerschutz; Protège main	1	174429	h1 =< 2065 mm
16	Finger cover Fingerskydd; Fingerschutz; Protège main	1	146081	Simplex
16	Finger cover Fingerskydd; Fingerschutz; Protège main	1	174428	DX Tele; DX Hi-Lo; TX Hi-Lo
17	Washer Bricka; Scheibe; Rondelle	2	21672	

3530-019

P0008089

**3530-019 Drive wheel**

Drivhjul; Antriebsrad; Roue motrice

[2001-05-08]

Pos	Description	Pcs	Part No	Note
			277 LSV 1250 278 LST 1350	271117 - 271117 -
02	Drive wheel(Grooved) Drivhjul(Sajpad); Antriebsrad(Gemustert); Roue entrainement(Sculpture)	1	121023-001	Rubber Gummi; Gummi; Gomme
02	Drive wheel(Elastomer) Drivhjul; Antriebsrad; Roue entrainement	1	127352	
02	Drive wheel(Vulkollan) Drivhjul; Antriebsrad; Roue entrainement	1	129920	Standard design Standardutförande; Normalaus- rüstung
02	Drive wheel(Tractothan) Drivhjul; Antriebsrad; Roue entrainement	1	143308	
02	Drive wheel(Rubber) Drivhjul(Gummi); Antriebsrad(Gummi); Roue entrainement(Gomme)	1	147214	
11	Screw Skruv; Schraube; Vis	5	110803	
12	Washer Bricka; Scheibe; Rondelle	5	21393	

5390-076 Driving function harnesses/ fuse

[2001-05-08]

Åkfunktionskablage/-säkring; Verkabelung, Sicherung Fahrfunktion; Câblage/ fusible fonction de déplacement

Pos	Description	Pcs	Part No	Note
			277 LSV 1250 278 LST 1350	310750 - 310750 -
11	Wiring harness Kablage; Kabelsatz; Câblage	1	150312	
12	Wiring harness Kablage; Kabelsatz; Câblage	1	149312	
13	Wiring harness Kablage; Kabelsatz; Câblage	1	149318	Powertrac
14	Wiring harness Kablage; Kabelsatz; Câblage	1	155858	8 km / h
15	Wiring harness Kablage; Kabelsatz; Câblage	1	149313	
16	Wiring harness(Including magnetic switch) Kablage(Inklusive magnetbrytare); Kabelsatz(Inklusive Magnetschalter); Câblage(Inclus Rupteur de bobine)	1	155624	8 km / h
17	Wiring harness Kablage; Kabelsatz; Câblage	1	149314	6 km/h
17	Wiring harness Kablage; Kabelsatz; Câblage	1	166329	8 km / h
18	Wiring harness Kablage; Kabelsatz; Câblage	1	149316-001	Machine without driver platform Maskin utan förarplattform; Maschine exkl. Fahrerplattform; Machine excl. plateforme du conducteur
18	Wiring harness Kablage; Kabelsatz; Câblage	1	149316-002	Machine with driver platform Maskin med förarplattform; Maschine mit Fahrerplattform; Machine avec plateforme du conducteur

CLICK HERE TO **DOWNLOAD** THE COMPLETE MANUAL

- Thank you very much for reading the preview of the manual.
- You can download the complete manual from: www.heydownloads.com by clicking the link below



- Please note: If there is no response to CLICKING the link, please download this PDF first and then click on it.

CLICK HERE TO **DOWNLOAD** THE COMPLETE MANUAL

6320-002 Mast hydraulic lines

[2001-05-08]

Stativhydraulledningar; Hydraulikleitungen Hubeinrichtung; Circuits hydrauliques mât

Simplex		277 LSV 1250 278 LST 1350	268826 - 268826 -	
Pos	Description	Pcs	Part No	Note
11	Pipe Rör; Rohr; Tube	1	139118	
12	Connection Koppling; Kupplung; Raccord	1	29532	
13	Connection Koppling; Kupplung; Raccord	2	28781	
14	Connection Koppling; Kupplung; Raccord	2	28801	
15	Restriction valve Sänkbromsventil; Drosselventil; Soupape de reduction	1	29671	
16	Connection Koppling; Kupplung; Raccord	1	28781	
17	Connection Koppling; Kupplung; Raccord	1	28801	
18	Connection Koppling; Kupplung; Raccord	1	29532	
19	Pipe Rör; Rohr; Tube	1	140472	
20	Connector unit Kopplingsstycke; Kupplungsstück; Raccordement	1	101292	
21	Screw Skruv; Schraube; Vis	1	25065	
22	Hose(Meter) Slang(Meter); Schlauch(Meter); Tuyau flexible(Metre)		28108	
23	Connection Koppling; Kupplung; Raccord	2	21994	
24	Connection Koppling; Kupplung; Raccord	1	28801	
25	Sealing ring Tätningring; Dichtungsring; Bague d'étanchéité	1	20517	

6610-003 Main lift cylinders

[2001-05-08]

Huvudlyftcylindrar; Haupthubzylinder; Vérin de levage, principal

Simplex		277 LSV 1250 278 LST 1350	268826 - 268826 -	
Pos	Description	Pcs	Part No	Note
01	Lifting cylinder compl(L = 1008 mm) Lyftcylinder kompl.; Hubzylinder Kompl.; Verin de levage compl.	2	149404-150	
01	Lifting cylinder compl(L = 1121 mm) Lyftcylinder kompl.; Hubzylinder Kompl.; Verin de levage compl.	2	149404-170	
01	Lifting cylinder compl(L = 1326 mm) Lyftcylinder kompl.; Hubzylinder Kompl.; Verin de levage compl.	2	149404-210	
02	Packing set Packningssats; Packungssatz; Jeux d' étanchéité.	1	140626	
03	Locking pin Spännstift; Spannstift; Goupille	1	20461	
04	Piston rod(L = 1008 mm) Kolvstång; Kolbenstange; Tige de piston	1	149424-150	
04	Piston rod(L = 1121 mm) Kolvstång; Kolbenstange; Tige de piston	1	149424-170	
04	Piston rod(L = 1326 mm) Kolvstång; Kolbenstange; Tige de piston	1	149424-210	
05	Screw Skruv; Schraube; Vis	1	28708	
06	Washer Bricka; Scheibe; Rondelle	1	126723-006	
07	Guide Styrning; Steuerung; Guidage	1	140648	
08	Locking ring Spårring; Schliessring; Circlip	1	141882	
09	Ring Ring; Ring; Bague	1	140647	
10	Cylinder pipe(L = 1008 mm) Cylinderrör; Zylinderrohr; Tube de cylindre	1	145757-150	
10	Cylinder pipe(L = 1121 mm) Cylinderrör; Zylinderrohr; Tube de cylindre	1	145757-170	
10	Cylinder pipe(L = 1326 mm) Cylinderrör; Zylinderrohr; Tube de cylindre	1	145757-210	
11	Restriction valve Sänkbromsventil; Drosselventil; Soupape de reduction	1	24154	
12	Shim(1 mm) Shims; Schim; Cale		105454	
13	Shim(0,5 mm) Shims; Schim; Cale		120531	
14	Washer Bricka; Scheibe; Rondelle	1	21393	
15	Screw Skruv; Schraube; Vis	1	28308	
16	Stop screw Stoppskruv; Einstellschraube; Vis de arretoire	1	21346	

7100-002 Main mast

[2001-05-08]

Huvudstativ/-mast; Haupthubgerüst/-mast; Mât principal

Simplex		277 LSV 1250 278 LST 1350	268826 - 268826 -	
Pos	Description	Pcs	Part No	Note
11	Chain wheel(Complete) Kedjehjul(Komplett); Kettenrad(Komplett); Roue de chaine(Complett)	2	133338	
12	Roller Rulle; Rolle; Roleau	1	133337	
13	Sealing ring Tätningring; Dichtungsring; Bague d'étanchéité	2	20902	
14	Bearing Lager; Lager; Roulement	1	26939	
15	Locking ring Spårring; Schliessring; Circlip	1	20076	
16	Distance piece Distans; Distanz; Distance	2	101341	
17	Axle Axel; Achse; Axe	2	137853	
18	Screw Skruv; Schraube; Vis	2	23006	
19	Washer Bricka; Scheibe; Rondelle	2	20236	
20	Chain complete(L = 1048 mm) Kedja komplett; Ketten komplett ; Chaine complete	2	146159-150	
20	Chain complete(L = 1181 mm) Kedja komplett; Ketten komplett ; Chaine complete	2	146159-170	
20	Chain complete(L = 1391 mm) Kedja komplett; Ketten komplett ; Chaine complete	2	146159-210	
21	Anchor bolt Fästbult; Ankerbolzen; Boulon de fixation	2	100839	
22	Cotter pin Saxpinne; Gespalter stift; Goupille fendue	4	21445	
23	Washer Bricka; Scheibe; Rondelle	4	20404	
24	Chain bolt Kedjebult; Kettenbolzen; Tourillon de chaine	2	105814	
25	Washer Bricka; Scheibe; Rondelle	2	21431	
26	Nut Mutter; Mutter; Ecrou	2	20006	
27	Nut Mutter; Mutter; Ecrou	2	20528	
28	Cotter pin Saxpinne; Gespalter stift; Goupille fendue	2	20312	
29	Consol Konsol; Konsole; Console	2	137849	

CLICK HERE TO **DOWNLOAD** THE COMPLETE MANUAL

- Thank you very much for reading the preview of the manual.
- You can download the complete manual from: www.heydownloads.com by clicking the link below



- Please note: If there is no response to CLICKING the link, please download this PDF first and then click on it.

CLICK HERE TO **DOWNLOAD** THE COMPLETE MANUAL