

Quality Parts

LR 2.0

Valid for machine number..... 285743AA-301533AA

Only valid for machine number.....

--	--	--	--	--	--	--	--	--

Ordering number 153728

Date 1996-05-13 / ITS / ESIF

Language..... GB; SE; DE; FR

CLICK HERE TO **DOWNLOAD** THE COMPLETE MANUAL

- Thank you very much for reading the preview of the manual.
- You can download the complete manual from: www.heydownloads.com by clicking the link below



- Please note: If there is no response to CLICKING the link, please download this PDF first and then click on it.

CLICK HERE TO **DOWNLOAD** THE COMPLETE MANUAL

Pos	Description	Pcs	Part No	Note
01	Fork carriage complete(L = 1450mm, B = 520mm) Gaffelvagn komplett; Gabelvagen Komplett; Chariot porte-fourche complet	1	73669-145	
01	Fork carriage complete(L = 1520mm, B = 520mm) Gaffelvagn komplett; Gabelvagen Komplett; Chariot porte-fourche complet	1	73669-152	
01	Fork carriage complete(L = 1850mm, B = 520mm) Gaffelvagn komplett; Gabelvagen Komplett; Chariot porte-fourche complet	1	73669-185	
01	Fork carriage complete(L = 2150mm, B = 520mm) Gaffelvagn komplett; Gabelvagen Komplett; Chariot porte-fourche complet	1	73669-215	
01	Fork carriage complete(L = 2350mm, B = 520mm) Gaffelvagn komplett; Gabelvagen Komplett; Chariot porte-fourche complet	1	73669-235	
03	Push rod(N = 1440) Tryckstång; Druckstange; Tringle	1	73641-001	
03	Push rod(N = 675) Tryckstång; Druckstange; Tringle	1	73641-091	
03	Push rod(N = 785) Tryckstång; Druckstange; Tringle	1	73641-102	
03	Push rod(N = 835) Tryckstång; Druckstange; Tringle	1	73641-107	
03	Push rod(N = 915) Tryckstång; Druckstange; Tringle	1	73641-115	
03	Push rod(N = 985) Tryckstång; Druckstange; Tringle	1	73641-122	
03	Push rod(N = 1040) Tryckstång; Druckstange; Tringle	1	73641-145	
03	Push rod(N = 1110) Tryckstång; Druckstange; Tringle	1	73641-152	
03	Push rod(N = 1640) Tryckstång; Druckstange; Tringle	1	73641-235	
03	Push rod(N = 1390) Tryckstång; Druckstange; Tringle	1	73641-245	
03	Push rod(N = 1555) Tryckstång; Druckstange; Tringle	1	73641-249	
03	Push rod(N = 1440) Tryckstång; Druckstange; Tringle	1	73642-001	
03	Push rod(N = 675) Tryckstång; Druckstange; Tringle	1	73642-091	
03	Push rod(N = 785) Tryckstång; Druckstange; Tringle	1	73642-102	
03	Push rod(N = 835) Tryckstång; Druckstange; Tringle	1	73642-107	
03	Push rod(N = 915) Tryckstång; Druckstange; Tringle	1	73642-115	
03	Push rod(N = 985) Tryckstång; Druckstange; Tringle	1	73642-122	
03	Push rod(N = 1040) Tryckstång; Druckstange; Tringle	1	73642-145	
03	Push rod(N = 1110) Tryckstång; Druckstange; Tringle	1	73642-152	
03	Push rod(N = 1640) Tryckstång; Druckstange; Tringle	1	73642-235	
03	Push rod(N = 1390) Tryckstång; Druckstange; Tringle	1	73642-245	
03	Push rod(N = 1555) Tryckstång; Druckstange; Tringle	1	73642-249	
06	Link(Left) Länk(Vänster); Gelenk(Links); Bras(Gauche)	1	73644	
06	Link(Right) Länk(Höger); Gelenk(Recht); Bras(Droit)	1	73645	
07	Bush Bussning; Bague; Bague	4	20843	
11	Roller(Complete) Rulle(Komplett); Rolle(Komplett); Roleau(Complet)	4	10604	

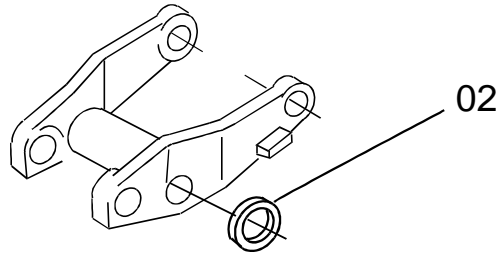
0680-002 Internal fittings

[1997-02-26]

Inredningsdetaljer; Einrichtungsteile; Accessoires intérieurs

		318 LR 2.0		269972 - 311626	
Pos	Description	Pcs	Part No	Note	
11	Panel Panel; Paneel; Panneau	1	137464		
12	Screw Skruv; Schraube; Vis	1	29530		
13	Washer Bricka; Scheibe; Rondelle	1	21672		
14	Nut Mutter; Mutter; Ecrou	1	20235		
15	Panel Panel; Paneel; Panneau	1	136304		
16	Cushion Dyna; Kissen; Coussin	1	133302		
17	Bracket Fäste; Halterung; Support	1	134067		
18	Panel Panel; Paneel; Panneau	1	136306		
19	Screw Skruv; Schraube; Vis	2	28511		
20	Washer Bricka; Scheibe; Rondelle	1	42993		
21	Nut Mutter; Mutter; Ecrou	1	20081		
22	Panel Panel; Paneel; Panneau	1	138230		
25	Washer Bricka; Scheibe; Rondelle	2	42993		
26	Nut Mutter; Mutter; Ecrou	2	20081		
27	Plate Plåt; Platte; Plaque	1	137460		
28	Nut Mutter; Mutter; Ecrou	1	24938		
29	Lamina Platta; Platten; Platine	1	139020		
30	Panel Panel; Paneel; Panneau	1	136305		
31	Washer Bricka; Scheibe; Rondelle	2	100231		

3580-003

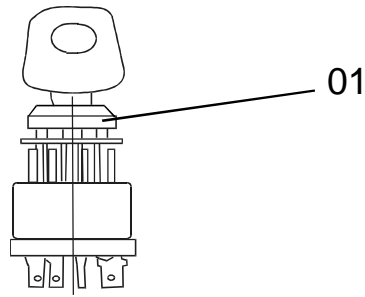
**3580-003 Guide rollers/wheels**

[1996-10-08]

Löp-/sidostyrningshjul; Laufrollen, Seitenführungsrollen; Galets/roues de guidage

Pos	Description	Pcs	Part No	Note
02	Wheel Hjul; Rad; Roue	2	30031	

5310-003

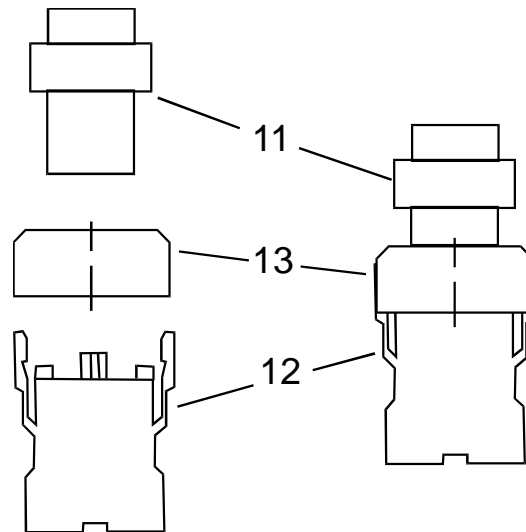
5310-003 **Start/stop switch**

[1996-05-21]

Start/stopströmställare; Schalter Fahren/Anhalten; Interrupteur (coupe-circuit) démarrage/arrêt

Pos	Description	Pcs	Part No	Note
01	Ignition switch Startlås; Zündschloss; Contact-démarreur	1	28555	

5320-001

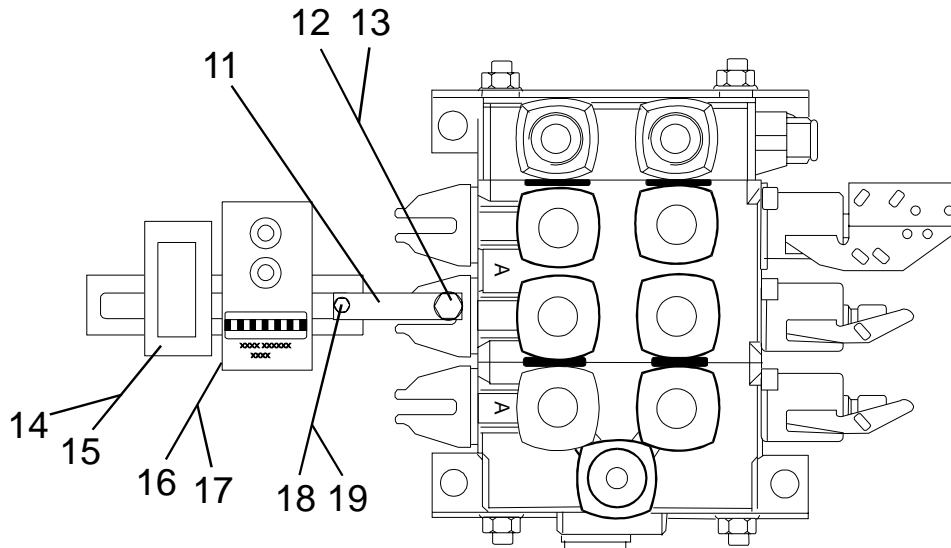
5320-001 **Travel direction switch (separate)**

[1993-08-24]

Riktningsväljare (separat); Richtungsschalter (separat); Sélecteur de direction (séparé)

Pos	Description	Pcs	Part No	Note
11	Push-button(Arrow) Tryckknapp(Pil); Druckknopf(Pfeil); Bouton(Flèche)	2	138608	
12	Contact device Kontaktblock; Kontakteinheit; Unite de contact	2	133423	
13	Bracket Fäste; Halterung; Support	2	133419	

5520-002



5520-002 Work function relays

[1995-05-23]

Arbeitsfunktionsrelä; Relais Arbeitsfunktion; Relais fonction de travail

Pos	Description	Pcs	Part No	Note
11	Bracket Fäste; Halterung; Support	1	147543	
12	Nut Mutter; Mutter; Ecrou	1	20081	
13	Washer Bricka; Scheibe; Rondelle	4	20404	
14	Relay Relä; Relais; Relais	1	146804	
15	Relay socket Reläsocket; Relais Fassung; Support de relais	1	146765	
16	Relay(Time) Relä(Tid); Relais(Zeit); Relais(Temps)	1	146761	
17	Relay socket Reläsocket; Relais Fassung; Support de relais	1	146763	
18	Nut Mutter; Mutter; Ecrou	1	20235	
19	Washer Bricka; Scheibe; Rondelle	2	21307	

CLICK HERE TO **DOWNLOAD** THE COMPLETE MANUAL

- Thank you very much for reading the preview of the manual.
- You can download the complete manual from: www.heydownloads.com by clicking the link below



- Please note: If there is no response to CLICKING the link, please download this PDF first and then click on it.

CLICK HERE TO **DOWNLOAD** THE COMPLETE MANUAL