

Quality Parts

BT L20EW; BT L20EWO; BT L30EW; BT L30EWO
BT L20BR; BT L20BRO; BT L30BR; BT L30BRO

Valid for machine number..... 2400000 AA-
Only valid for machine number.....

--	--	--	--	--	--	--	--	--	--

Ordering number 177967
Date 2000-05-15/ ITS/ ESIT
Language..... GB; SE; DE; FR

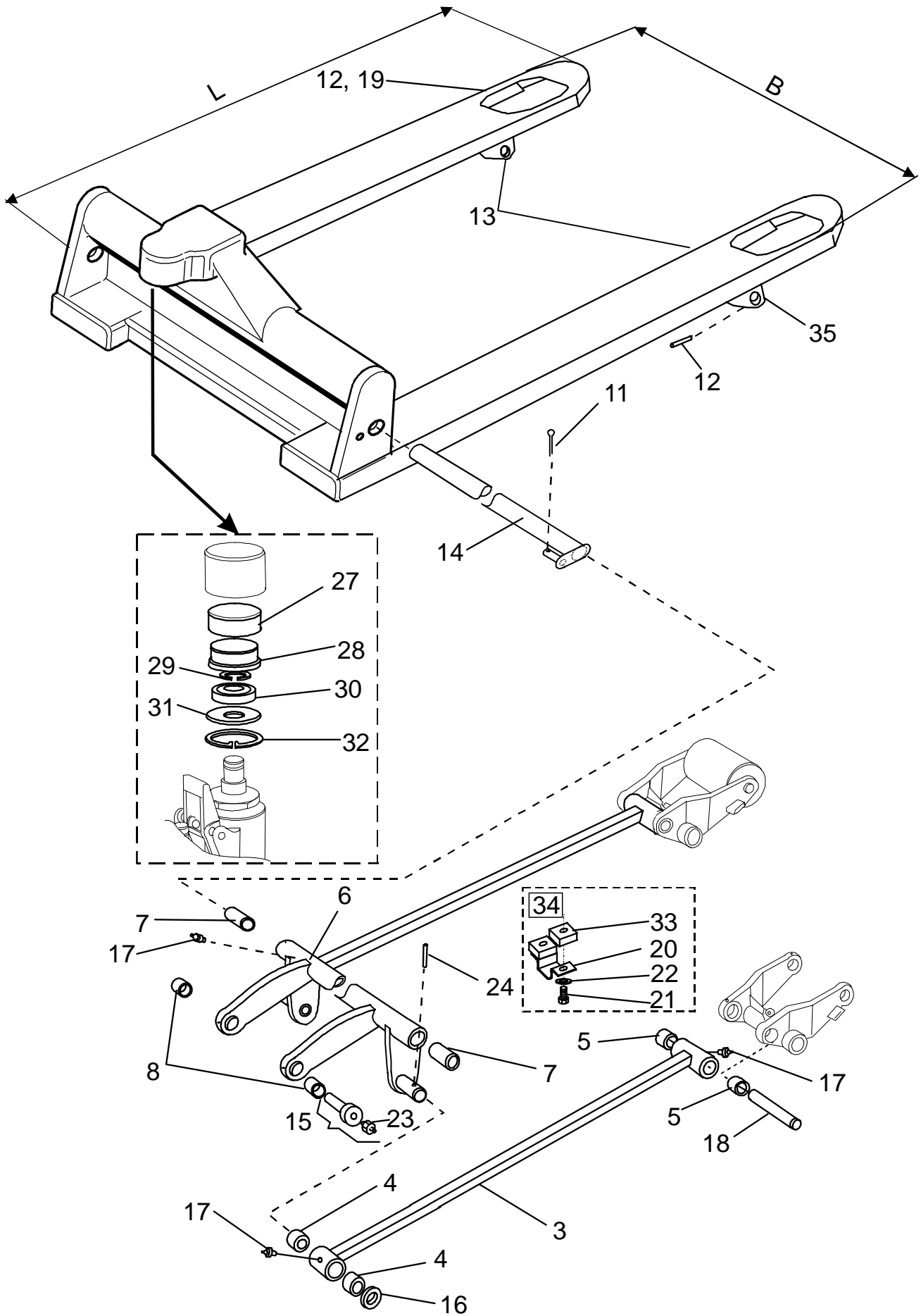
CLICK HERE TO **DOWNLOAD** THE COMPLETE MANUAL

- Thank you very much for reading the preview of the manual.
- You can download the complete manual from: www.heydownloads.com by clicking the link below

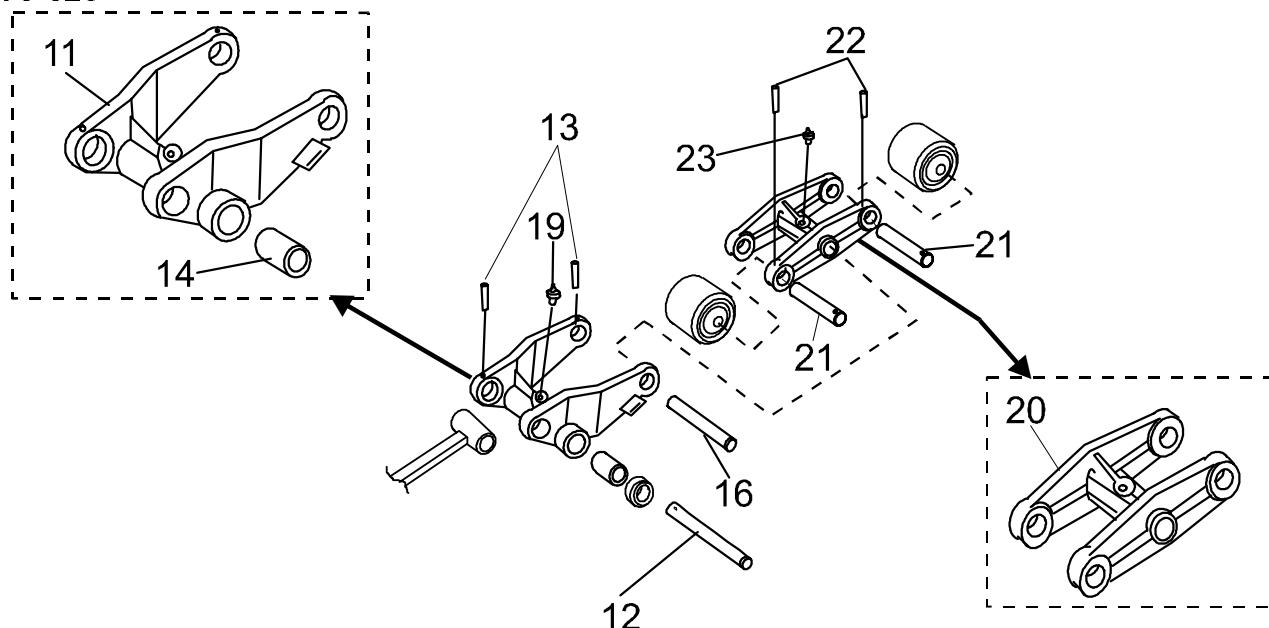


- Please note: If there is no response to CLICKING the link, please download this PDF first and then click on it.

CLICK HERE TO **DOWNLOAD** THE COMPLETE MANUAL



3570-026



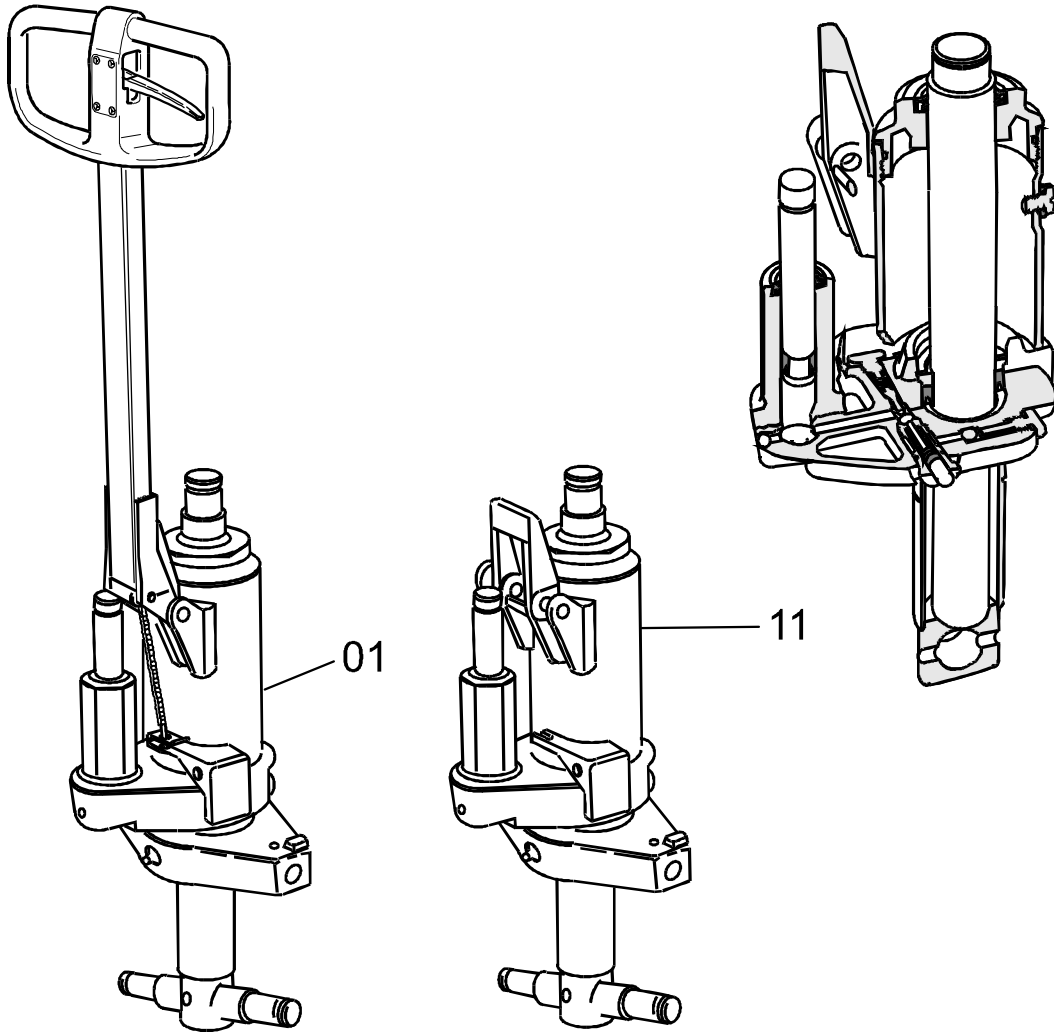
3570-026 Wheel locating points

[2000-02-24]

Hjulinfästning/-upphängning; Radaufhängung; Point de fixation/suspension roues

Pos	Description	Pcs	Part No	Note
<i>Bogiewheel; Boggiehjul; Boggirad; Roue bogie</i>			360 BT L20BR 360 BT L20EW 362 BT L20EWO 368 BT L20BRO	2400000 - 2400000 - 2400000 - 2400000 -
11	Wheel fork Hjulgaffel; Radgabel; Fourche de roue	2	130685	
12	Axle Axel; Achse; Axe	2	47134	
13	Locking pin Spännstift; Spannstift; Goupille	4	20001	
14	Bush Bussning; Bague; Bague	4	51805	
16	Axle Axel; Achse; Axe	2	47133	
19	Greasing nipple Smörjnippel; Smiernippel; Graisseur	2	27662	
20	Bogie fork Boggigaffel; Boggigabel; Fourchebogie	2	126742	
21	Axle Axel; Achse; Axe	4	47162	
22	Locking pin Spännstift; Spannstift; Goupille	8	20001	
23	Greasing nipple Smörjnippel; Smiernippel; Graisseur	4	27662	

6400-035



6400-035 Manual pump unit, jack

[2000-04-28]

Manuell hydraul, domkraft; Manuelle Hydraulikeinheit/Pumpe; Groupe hydraulique manuel, cric

Pos	Description	Pcs	Part No	Note
01	Hydraul unit(Complete) Hydraulenhet(Komplett); Hydraulikeinheit(Komplett); Unite hydraulique(Complet)	1	159567	
11	Hydraul unit Hydraulenhet; Hydraulikeinheit; Unite hydraulique	1	159566	

CLICK HERE TO **DOWNLOAD** THE COMPLETE MANUAL

- Thank you very much for reading the preview of the manual.
- You can download the complete manual from: www.heydownloads.com by clicking the link below



- Please note: If there is no response to CLICKING the link, please download this PDF first and then click on it.

CLICK HERE TO **DOWNLOAD** THE COMPLETE MANUAL