

Quality Parts

HL 1000; HL 1000X; HL 1000I; HLE 1000; HLE 1000X; HLE 1000I

Valid for machine number..... 465015 AA

Only valid for machine number.....

--	--	--	--	--	--	--	--

Ordering number..... 172467

Date 1999-06-07 / ESDT

Language..... GB;SE; DE; FR

CLICK HERE TO **DOWNLOAD** THE COMPLETE MANUAL

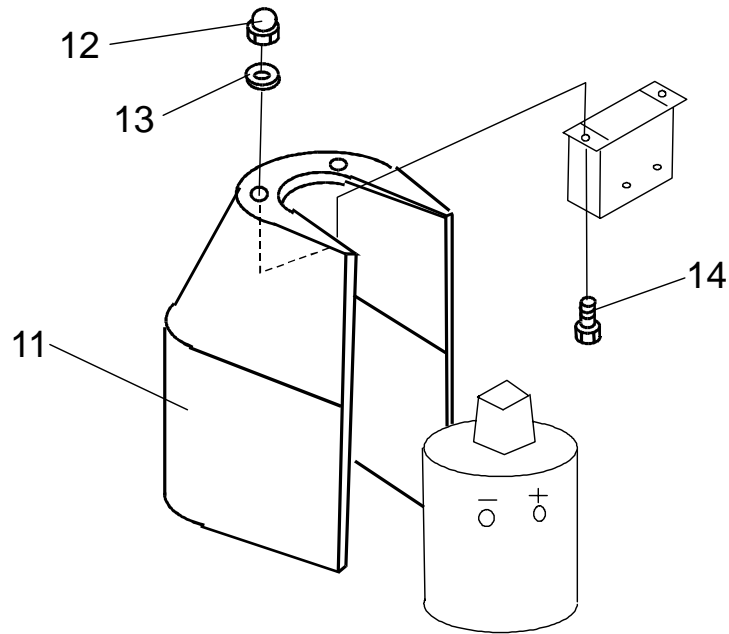
- Thank you very much for reading the preview of the manual.
- You can download the complete manual from: www.heydownloads.com by clicking the link below



- Please note: If there is no response to CLICKING the link, please download this PDF first and then click on it.

CLICK HERE TO **DOWNLOAD** THE COMPLETE MANUAL

0340-072

**0340-072 Inspection covers**

Huvar/luckor; Hauben/Tueren; Couvertcles

[1998-06-23]

			259 HLE 1000I	462148 -
Pos	Description	Pcs	Part No	Note
11	House Kápa; Haus; Chape	1	137095	
12	Nut Mutter; Mutter; Erou	2	158710	
13	Bush Bussning; Bague; Bague	2	151821	
14	Screw Skruv; Schraube; Vis	2	158711	

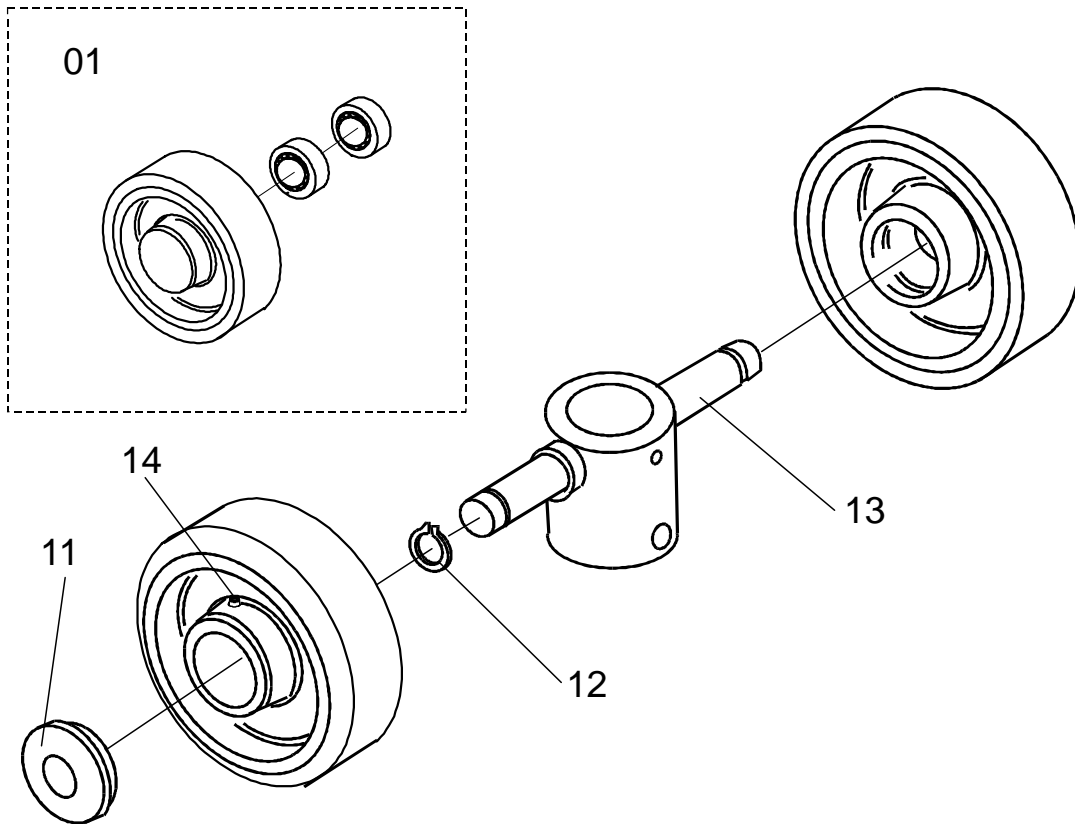
0850-073 Signs, warnings

[1998-08-17]

Skyltar, varningar; Schilder, Warnzeichen; Vignette, avertissement

Pos	Description	Pcs	Part No	Note
			234 HL 1000	462148 -
			235 HLE 1000	462148 -
			255 HL 1000X	462148 -
			256 HL 1000I	462148 -
			258 HLE 1000X	462148 -
			259 HLE 1000I	462148 -
11	Sign Skylt; Schild; Vignette	2	136681	
12	Sign Skylt; Schild; Vignette	1	146947	HL 1000
12	Sign Skylt; Schild; Vignette	1	146948	HLE 1000
12	Sign Skylt; Schild; Vignette	1	147252	HL 1000I
12	Sign Skylt; Schild; Vignette	1	147252	HL 1000I
12	Sign Skylt; Schild; Vignette	1	147253	HL 1000X
12	Sign Skylt; Schild; Vignette	1	147254	HLE 1000I
12	Sign Skylt; Schild; Vignette	1	147255	HLE 1000X
12	Sign Skylt; Schild; Vignette	1	148476	HL 1000K
12	Sign Skylt; Schild; Vignette	1	148477	HLE 1000K
13	Sign Skylt; Schild; Vignette	1	153751	
14	Decal, BT Dekal, BT; Abziehbild; Enseigne, BT	2	152698	
15	Sign Skylt; Schild; Vignette	2	153795	

3590-012



3590-012 Steering wheel
Styrhjul; Lenkrad; Roue directrice

[1998-06-24]

Pos	Description	Pcs	Part No	Note
01	Wheel complete(Polyuretan) Hjul komplett; Rad komplett; Roue complete	2	166466	
11	Cap Lock; Deckel; Couvercle	2	156623	
12	Locking ring Spårring; Schliessring; Circlip	2	20019	
13	Consol Konsol; Konsole; Console	1	158426	
14	Greasing nipple Smörjnippel; Smiernippel; Graisseur	2	166467	

4110-085 Steering arm / wheel / lever

[1998-06-24]

Manöverreglage arm/ratt/spak; Steuerarm, Lenkrad / Hebel; Bras / roue / levier de Direction

			255 HL 1000X	462148 -
Pos	Description	Pcs	Part No	Note
01	Tow bar(Complete) Dragstång(Komplett); Zugstange(Komplett); Timon(Complect)	1	141294	
11	Plastic handle((blue)) Plasthandtag((blå)); Plastikhandgrift((blau)); Poignée plastique((bleu))	2	47074	
12	Screw Skruv; Schraube; Vis	2	24470	
13	Clamp Bygel; Bügel; Bride	1	47082	
14	Locking pin Spännstift; Spannstift; Goupille	1	20461	
15	Tow bar Dragstång; Zugstange; Timon	1	141293	
16	Axle Axel; Achse; Axe	1	47931	
17	Bush Bussning; Bague; Bague	2	22107	
18	Bush Bussning; Bague; Bague	1	22108	
19	Roller Rulle; Rolle; Roleau	1	47929	
20	Axle Axel; Achse; Axe	1	47930	
21	Guide Genomföring; Durcgführung; Guide	2	22444	
22	Clamp Bygel; Bügel; Bride	1	51570	
23	Locking pin Spännstift; Spannstift; Goupille	1	20071	

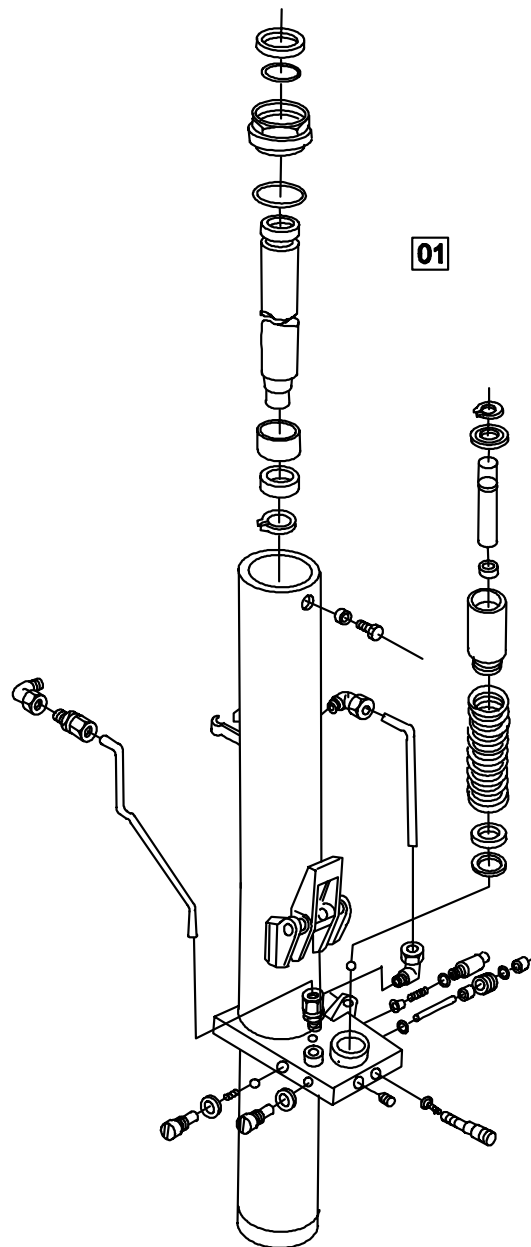
5430-041 Drive motor cables/resistors/fuse

[1998-06-24]

Drivmotorkablar/-motstånd/-säkring; Fahrmotorkabel/-widwrstand/-sicherung; Câbles/résistances/fusible moteur de traction

Pos	Description	Pcs	Part No	Note
			235 HLE 1000 258 HLE 1000X	462148 - 462148 -
11	Fuse holder(Complete) Säkringshållare(Komplett); Sicherungshalter(Komplett); Porte-fusibles(Comple)	1	148846	
12	Fuse(6,3 A) Säkring; Sicherung; Fusible	1	28302	
13	Fuse(100A) Säkring; Sicherung; Fusible	1	142544	
14	Fuse holder Säkringshållare; Sicherungshalter; Porte-fusibles	1	162344	
15	Distance piece Distans; Distanz; Distance	2	148848	
16	Nut Mutter; Mutter; Ecrou	2	20235	
17	Screw Skruv; Schraube; Vis	2	22117	
18	Connection(+) Koppling; Kupplung; Raccord	1	162086	
19	Connection(-) Koppling; Kupplung; Raccord	1	162087	
20	Cable Kabel; Kabel; Câble	1	166390	
21	Cable Kabel; Kabel; Câble	1	166391	
22	Cable Kabel; Kabel; Câble	1	166392	
23	Cable Kabel; Kabel; Câble	1	166386	
24	Cable Kabel; Kabel; Câble	1	150243	
25	Cable Kabel; Kabel; Câble	1	150242	
26	Cable Kabel; Kabel; Câble	1	156282	
27	Cable Kabel; Kabel; Câble	1	150240	
28	Clamp Bygel; Bügel; Bride	1	160387	
29	Connector Handske; Stecker; Bloc de connexion	1	137094	
30	Screw Skruv; Schraube; Vis	2	137108	
31	Guide Genomföring; Durogföring; Guide	1	166458	

6100-040



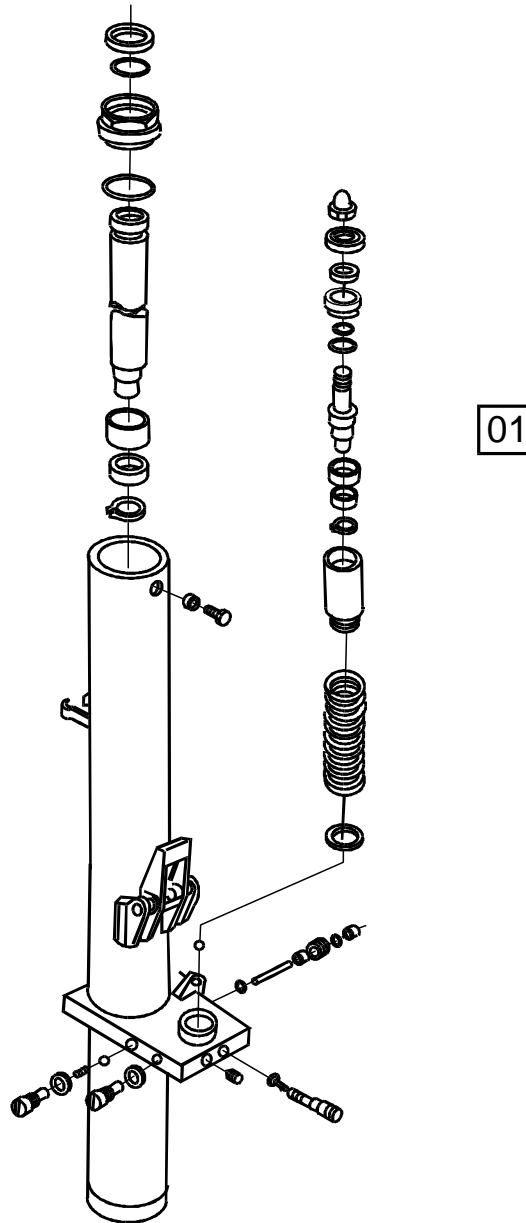
6100-040 Hydraulic unit

Hydraulikaggregat; Hydraulikaggregat; Unite hydraulique

[1999-05-04]

Pos	Description	Pcs	Part No	Note
01	Hydraul unit(Complete) Hydraulenhet(Komplett); Hydraulikeinheit(Komplett); Unite hydraulique(Complett)	1	158706	

6400-021



6400-021 Manual hydraulic

[1998-06-24]

Manuell hydraul/domkraft; Manuelle Hydraulikeinheit/Pumpe; Groupe hydraulique á main

<i>Stainless Steel; Rostfri; Nichtrostende; Inoxydable</i>			256 HL 1000l	462148 -
Pos	Description	Pcs	Part No	Note
01	Hydraul unit(Complete) Hydraulenhet(Komplett); Hydraulikeinheit(Komplett); Unite hydraulique(Comple)	1	158705	

6420-006 Lift cylinder/Lift piston

[1998-06-24]

Lyftcylinder/kolv; Hubzylinder/Kolben; Verin/Piston

Pos	Description	Pcs	Part No	Note
			234 HL 1000 235 HLE 1000 255 HL 1000X 258 HLE 1000X	462148 - 462148 - 462148 - 462148 -
02	Packing set(Pump cylinder) Packningssats(Pumpcylinder); Packungssatz(Pumpzylinder); Jeux d'étanchéité.(Verin de pompe)	1	139034	
11	Piston Kolv; Kolben; Piston	1	137025	
12	O-ring O-ring; O-ring; Joint torique	1	137048	
13	O-ring O-ring; O-ring; Joint torique	1	137046	
14	Sealing Tätning; Dichtung; Joint	1	137047	
15	Bush Bussning; Bague; Bague	1	137024	
16	Sealing Tätning; Dichtung; Joint	1	137015	
17	Ring Ring; Ring; Bague	1	137016	
18	Locking ring Spårring; Schliessring; Circlip	1	137009	

CLICK HERE TO **DOWNLOAD** THE COMPLETE MANUAL

- Thank you very much for reading the preview of the manual.
- You can download the complete manual from: www.heydownloads.com by clicking the link below



- Please note: If there is no response to CLICKING the link, please download this PDF first and then click on it.

CLICK HERE TO **DOWNLOAD** THE COMPLETE MANUAL