

Quality Parts

FR 2.7

Valid for machine number..... 399568AA - 399594AA

Only valid for machine number.....

--	--	--	--	--	--	--	--	--

Ordering number 180149

Date 2000-12-06

Language..... GB SE DE FR / ITS / ESIF

CLICK HERE TO **DOWNLOAD** THE COMPLETE MANUAL

- Thank you very much for reading the preview of the manual.
- You can download the complete manual from: www.heydownloads.com by clicking the link below



- Please note: If there is no response to CLICKING the link, please download this PDF first and then click on it.

CLICK HERE TO **DOWNLOAD** THE COMPLETE MANUAL

0850-128 Signs, warnings, decals

[2000-01-31]

Skyltar, varningar, dekaler; Schilder, Warnzeichen, Aufkleber; Vignettes, avertissements, autocollants

		493 FR 2.7		399500 - 399594	
Pos	Description	Pcs	Part No	Note	
11	Sign Skylt; Schild; Vignette	1	156687		
12	Sign Skylt; Schild; Vignette		121786-002		
13	Sign Skylt; Schild; Vignette		121787-002		
14	Sign Skylt; Schild; Vignette	1	145422		
15	Sign Skylt; Schild; Vignette	1	165610		
16	Sign Skylt; Schild; Vignette	1	176109		
17	Sign Skylt; Schild; Vignette	1	165630		
18	Sign Skylt; Schild; Vignette	1	147126		
19	Sign Skylt; Schild; Vignette	4	168719		
20	Sign Skylt; Schild; Vignette	1	175857		
21	Sign Skylt; Schild; Vignette	1	151843		
22	Sign Skylt; Schild; Vignette	2	147316		
23	Sign Skylt; Schild; Vignette	1	72082		
24	Sign Skylt; Schild; Vignette	1	163737		
25	Sign Skylt; Schild; Vignette	1	176351		

3540-029 Support/castor wheels

[1999-09-10]

Stöd-/länkhjul; Stützräder/Gelenkrollen; Roues stabilisatrices/pivotantes

		493 FR 2.7		399500 - 399594	
Pos	Description	Pcs	Part No	Note	
11	Screw Skruv; Schraube; Vis	1	20607		
12	Washer Bricka; Scheibe; Rondelle	1	20882		
13	O-ring O-ring; O-ring; Joint torique	1	186594		
14	Washer Bricka; Scheibe; Rondelle	1	186689		
15	Roller bearing Rullager; Rollenlager; Palier à rouleaux	1	186590		
16	Roller bearing Rullager; Rollenlager; Palier à rouleaux	1	186591		
17	Sealing ring Tätningring; Dichtungsring; Bague d'étanchéité	1	186592		
18	Wheel fork Hjulgaffel; Radgabel; Fourche de roue	1	186571		
19	Screw Skruv; Schraube; Vis	2	20129		
20	Washer Bricka; Scheibe; Rondelle	2	83552		
21	Distance piece Distans; Distanz; Distance	3	186690		
22	Bearing Lager; Lager; Roulement	4	186840		
23	Wheel Hjul; Rad; Roue	2	186841		
24	Distance piece Distans; Distanz; Distance	2	186697		
25	Wheel complete Hjul komplett; Rad komplett; Roue complete	2	186807		
26	Axle Axel; Achse; Axe	1	186688		

CLICK HERE TO **DOWNLOAD** THE COMPLETE MANUAL

- Thank you very much for reading the preview of the manual.
- You can download the complete manual from: www.heydownloads.com by clicking the link below



- Please note: If there is no response to CLICKING the link, please download this PDF first and then click on it.

CLICK HERE TO **DOWNLOAD** THE COMPLETE MANUAL

5390-138 Driving function harnesses/ fuse

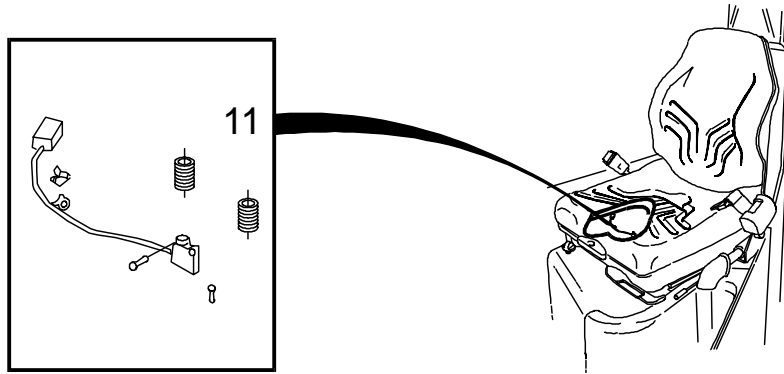
[2000-08-09]

Åkfunktionskablage/-säkring; Verkabelung, Sicherung Fahrfunktion; Câblage/ fusible fonction de déplacement

		493 FR 2.7		399500 - 399594	
Pos	Description	Pcs	Part No	Note	
11	Wiring harness Kablage; Kabelsatz; Câblage	1	186782	Main Huvud; Haupt; Principal	
12	Wiring harness Kablage; Kabelsatz; Câblage	1	186783		
13	Wiring harness Kablage; Kabelsatz; Câblage	1	186784		
14	Push-button Tryckknapp; Druckknopf; Bouton	1	155556-001		
15	Push-button Tryckknapp; Druckknopf; Bouton	1	155556-002		
16	Push-button Tryckknapp; Druckknopf; Bouton	1	155556-003		
17	Wiring harness Kablage; Kabelsatz; Câblage	3	154860	Including micro switch 149794 Inklusive mikrobrytare 149794; Inklusive Mikroshalter 149794; Inclus interrupteur 149794 To solder Lödes; Löten; Soudage	
18	Micro switch Mikrobrytare; Mikroschalter; Interrupteurs	3	149794		
19	Wiring harness Kablage; Kabelsatz; Câblage	1	186785		
22	Fuse(30 A) Säkring; Sicherung; Fusible	1	161640-300		
23	Fuse(10A) Säkring; Sicherung; Fusible	3	161640-100		
24	Fuse holder Säkringshållare; Sicherungshalter; Porte-fusibles	4	135421		
25	Nit Nit; Niet; Rivet	1	28959		
26	Bracket Fäste; Halterung; Support	1	135422		
27	Micro switch(Cold stores) Mikrobrytare(Fryshus); Mikroschalter(Gefrieranlage); Interrupteurs(Chambre frigorifique)	2	147228		

5830-028

P0009652

**5830-028 Safety probes/ sensors**

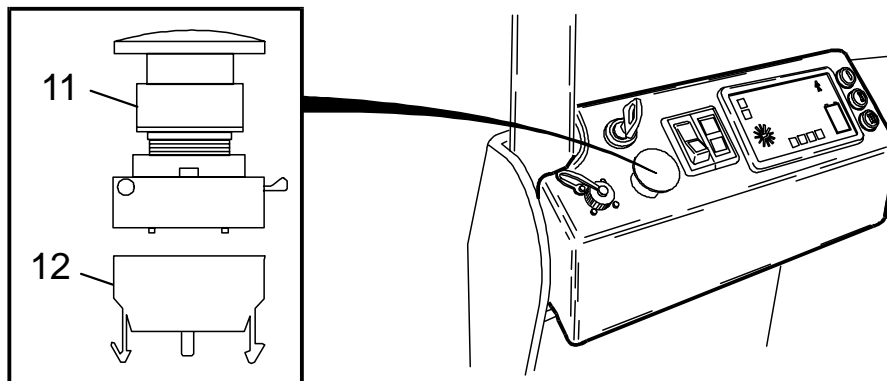
[1999-03-03]

Säkerhets-givare/-sensorer; Sicherheitsgeber/-sensor; Capteurs de sécurité

Seat; Stol; Sitz; Siege		493 FR 2.7		399500 - 399594
Pos	Description	Pcs	Part No	Note
11	Micro switch(Complete) Mikrobrytare(Komplett); Mikroschalter(Komplett); Interrupteurs(Comple)	1	162049	

5830-040

P0010910

**5830-040 Safety probes/ sensors**

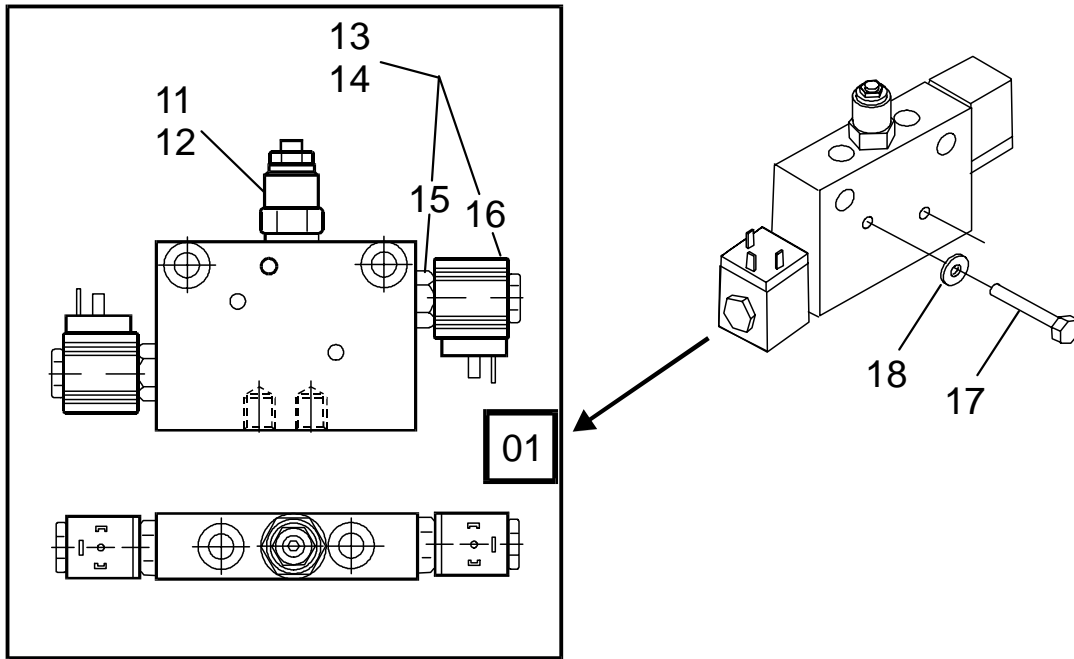
[1999-09-08]

Säkerhets-givare/-sensorer; Sicherheitsgeber/-sensor; Capteurs de sécurité

		493 FR 2.7		399500 - 399594
Pos	Description	Pcs	Part No	Note
11	Push-button(Red) Tryckknapp(Röd); Druckknopf(Rot); Bouton(Rouge)	1	155567	
12	Contact device Kontaktblock; Kontakteinheit; Unite de contact	1	155568	

6220-006

P0011181

**6220-006 Control valve (Other functions)**

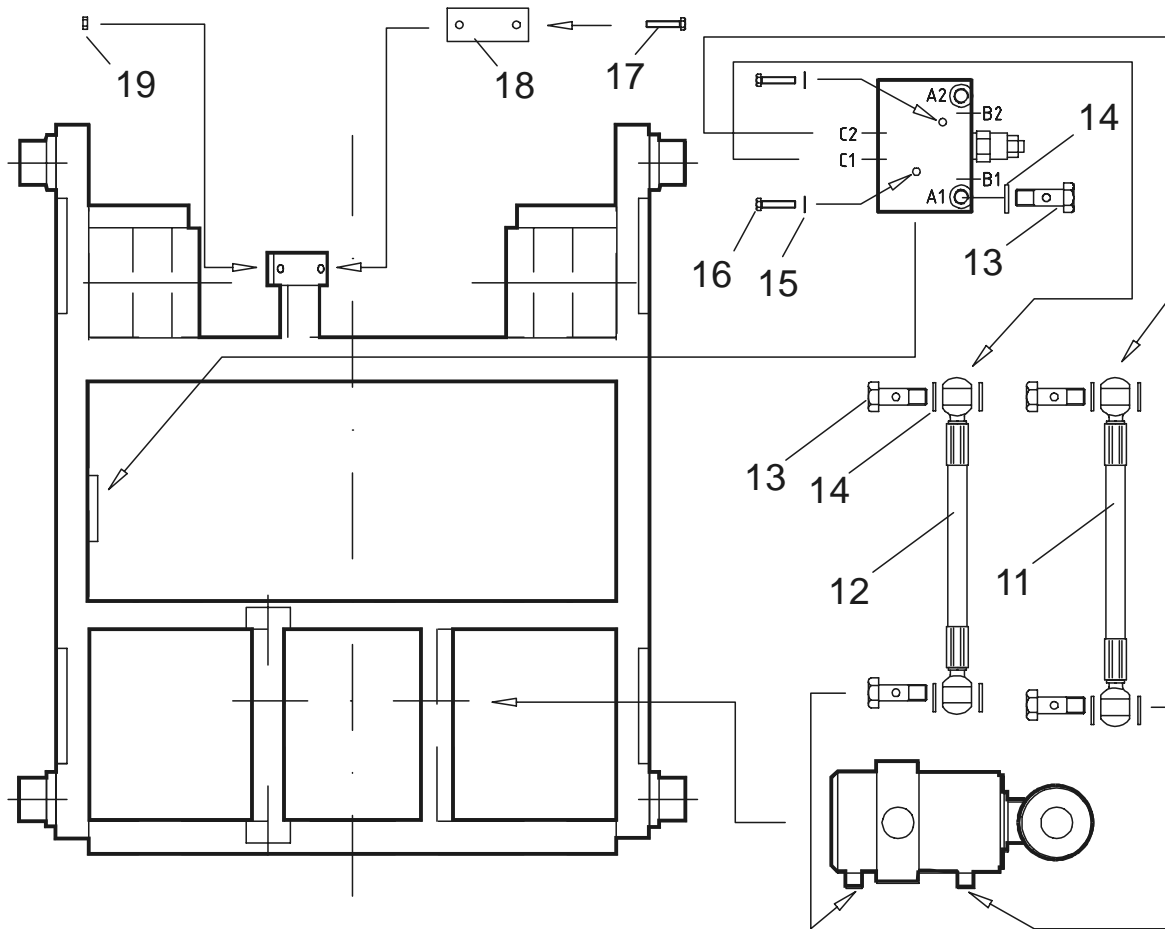
[2001-03-28]

Rikttningsventil (övriga funktioner); Wegeventil (Zusatzfunktionen); Soupape manuelle (Autres fonctions)

Fork carriage; Gaffelvagn; Gabelwagen; Chariot porte-fourche		493 FR 2.7		399500 - 399594	
Pos	Description	Pcs	Part No	Note	
01	Valve(Complete) Ventil(Komplett); Ventil(Komplett); Soupape(Compleat)	1	152387		
11	Valve Ventil; Ventil; Soupape	1	152720		
12	Packing set Packningssats; Packungssatz; Jeux d' étanchéité.	1	154467		
13	Valve Ventil; Ventil; Soupape	2	146000		
14	Packing set Packningssats; Packungssatz; Jeux d' étanchéité.	2	146003		
15	Valve Ventil; Ventil; Soupape	2	145999		
16	Coil Spole; Spule; Bobine	2	146002		
17	Screw Skruv; Schraube; Vis	2	22635		
18	Washer Bricka; Scheibe; Rondelle	2	20375		

6320-060

P0011716



6320-060 Mast hydraulic lines

[2001-03-29]

Stativhydraulledningar; Hydraulikleitungen Hubeinrichtung; Circuits hydrauliques mât

Duplex Hi - Lo		493 FR 2.7		399500 - 399594	
Pos	Description	Pcs	Part No	Note	
11	Hose Slang; Schlauch; Tuyau flexible	1	186375-043		
12	Hose Slang; Schlauch; Tuyau flexible	1	186375-041		
13	Hollow screw Hålskruv; Hohlschraube; Vis à torçe	6	29661		
14	Sealing Tätning; Dichtung; Joint	6	181757		
15	Washer Bricka; Scheibe; Rondelle	2	20375		
16	Screw Skruv; Schraube; Vis	2	22635		
17	Screw Skruv; Schraube; Vis	2	22635		
18	Plate Plåt; Platte; Plaque	1	186384		
19	Nut Mutter; Mutter; Ecrou	2	20433		

6620-020 Free lift cylinder

[1999-10-20]

Frilyftscylinder; Freihubzylinder; Vérin de levée libre

Triplex Hi - Lo		493 FR 2.7	399500 - 399594	
Pos	Description	Pcs	Part No	Note
01	Cylinder compl. Cylinder kompl.; Zylinder kompl.; Verin compl.	1	186438-480	
01	Cylinder compl. Cylinder kompl.; Zylinder kompl.; Verin compl.	1	186438-540	
01	Cylinder compl. Cylinder kompl.; Zylinder kompl.; Verin compl.	1	186438-570	
01	Cylinder compl. Cylinder kompl.; Zylinder kompl.; Verin compl.	1	186438-630	
01	Cylinder compl. Cylinder kompl.; Zylinder kompl.; Verin compl.	1	186438-670	
01	Cylinder compl. Cylinder kompl.; Zylinder kompl.; Verin compl.	1	186438-700	
01	Cylinder compl. Cylinder kompl.; Zylinder kompl.; Verin compl.	1	186438-750	
01	Cylinder compl. Cylinder kompl.; Zylinder kompl.; Verin compl.	1	186438-800	
02	Packing set Packningssats; Packungssatz; Jeux d' étanchéité.	1	186443	
03	Cylinder pipe Cylinderrör; Zylinderrohr; Tube de cylindre	1	186440-480	
03	Cylinder pipe Cylinderrör; Zylinderrohr; Tube de cylindre	1	186440-540	
03	Cylinder pipe Cylinderrör; Zylinderrohr; Tube de cylindre	1	186440-570	
03	Cylinder pipe Cylinderrör; Zylinderrohr; Tube de cylindre	1	186440-630	
03	Cylinder pipe Cylinderrör; Zylinderrohr; Tube de cylindre	1	186440-670	
03	Cylinder pipe Cylinderrör; Zylinderrohr; Tube de cylindre	1	186440-700	
03	Cylinder pipe Cylinderrör; Zylinderrohr; Tube de cylindre	1	186440-750	
03	Cylinder pipe Cylinderrör; Zylinderrohr; Tube de cylindre	1	186440-800	
04	Piston Kolv; Kolben; Piston	1	186439	
05	Piston rod Kolvstång; Kolbenstange; Tige de piston	1	186442-480	
05	Piston rod Kolvstång; Kolbenstange; Tige de piston	1	186442-540	
05	Piston rod Kolvstång; Kolbenstange; Tige de piston	1	186442-570	
05	Piston rod Kolvstång; Kolbenstange; Tige de piston	1	186442-630	
05	Piston rod Kolvstång; Kolbenstange; Tige de piston	1	186442-670	
05	Piston rod Kolvstång; Kolbenstange; Tige de piston	1	186442-700	
05	Piston rod Kolvstång; Kolbenstange; Tige de piston	1	186442-750	
05	Piston rod Kolvstång; Kolbenstange; Tige de piston	1	186442-800	
11	Guide Styrning; Steuerung; Guidage	1	186441	
12	Hose break valve Slangbrottventil; Schlauchbruchventil; Valve de gonflement (rupture)	1	186402	
13	Clamp Bygel; Bügel; Bride	1	186428	
14	Nut Mutter; Mutter; Erou	2	20016	
15	Screw Skruv; Schraube; Vis	2	20654	

CLICK HERE TO **DOWNLOAD** THE COMPLETE MANUAL

- Thank you very much for reading the preview of the manual.
- You can download the complete manual from: www.heydownloads.com by clicking the link below



- Please note: If there is no response to CLICKING the link, please download this PDF first and then click on it.

CLICK HERE TO **DOWNLOAD** THE COMPLETE MANUAL