

## Quality Parts

FR 2.7

Valid for machine number..... 399595AA -

Only valid for machine number..... 

--	--	--	--	--	--	--	--

Ordering number ..... 181608

Date ..... 2001-04-05

Language..... GB SE DE FR / ITS / ESIF

CLICK HERE TO **DOWNLOAD** THE COMPLETE MANUAL

- Thank you very much for reading the preview of the manual.
- You can download the complete manual from: [www.heydownloads.com](http://www.heydownloads.com) by clicking the link below



- Please note: If there is no response to CLICKING the link, please download this PDF first and then click on it.

CLICK HERE TO **DOWNLOAD** THE COMPLETE MANUAL





**0850-128 Signs, warnings, decals**

[2000-01-31]

Skyltar, varningar, dekaler; Schilder, Warnzeichen, Aufkleber; Vignettes, avertissements, autocollants

Pos	Description	Pcs	Part No	Note
			493 FR 2.7	399500 -
11	Sign Skylt; Schild; Vignette	1	156687	
12	Sign Skylt; Schild; Vignette		121786-002	
13	Sign Skylt; Schild; Vignette		121787-002	
14	Sign Skylt; Schild; Vignette	1	145422	
15	Sign Skylt; Schild; Vignette	1	165610	
16	Sign Skylt; Schild; Vignette	1	176109	
17	Sign Skylt; Schild; Vignette	1	165630	
18	Sign Skylt; Schild; Vignette	1	147126	
19	Sign Skylt; Schild; Vignette	4	168719	
20	Sign Skylt; Schild; Vignette	1	175857	
21	Sign Skylt; Schild; Vignette	1	151843	
22	Sign Skylt; Schild; Vignette	2	147316	
23	Sign Skylt; Schild; Vignette	1	72082	
24	Sign Skylt; Schild; Vignette	1	163737	
25	Sign Skylt; Schild; Vignette	1	176351	



**3540-029 Support/castor wheels**

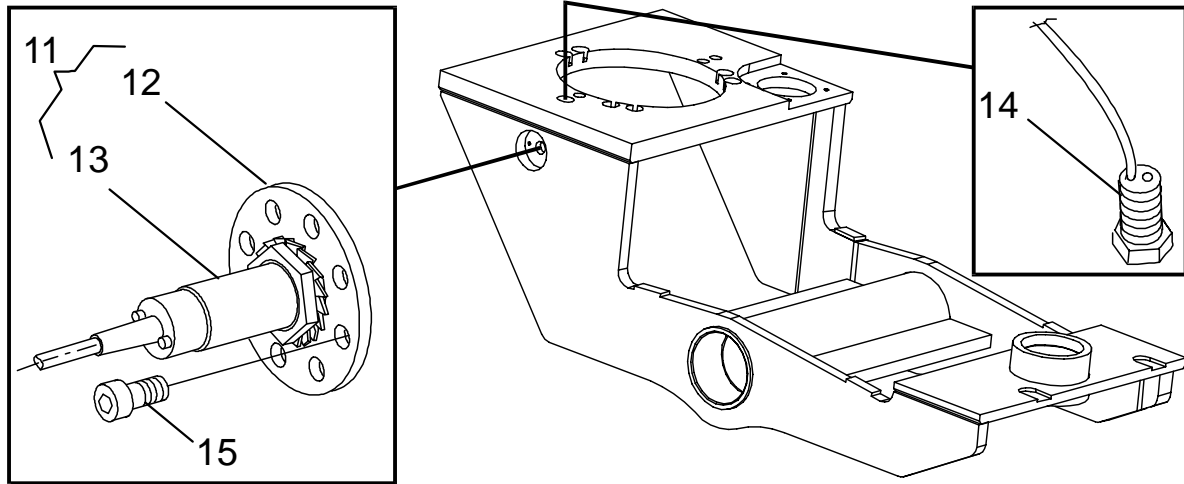
[1999-09-10]

Stöd-/länkhjul; Stützräder/Gelenkrollen; Roues stabilisatrices/pivotantes

		493 FR 2.7		399500 -	
Pos	Description	Pcs	Part No	Note	
11	<b>Screw</b> Skruv; Schraube; Vis	1	20607		
12	<b>Washer</b> Bricka; Scheibe; Rondelle	1	20882		
13	<b>O-ring</b> O-ring; O-ring; Joint torique	1	186594		
14	<b>Washer</b> Bricka; Scheibe; Rondelle	1	186689		
15	<b>Roller bearing</b> Rullager; Rollenlager; Palier à roleaux	1	186590		
16	<b>Roller bearing</b> Rullager; Rollenlager; Palier à roleaux	1	186591		
17	<b>Sealing ring</b> Tätningring; Dichtungsring; Bague d'étanchéité	1	186592		
18	<b>Wheel fork</b> Hjulgaffel; Radgabel; Fourche de roue	1	186571		
19	<b>Screw</b> Skruv; Schraube; Vis	2	20129		
20	<b>Washer</b> Bricka; Scheibe; Rondelle	2	83552		
21	<b>Distance piece</b> Distans; Distanz; Distance	3	186690		
22	<b>Bearing</b> Lager; Lager; Roulement	4	186840		
23	<b>Wheel</b> Hjul; Rad; Roue	2	186841		
24	<b>Distance piece</b> Distans; Distanz; Distance	2	186697		
25	<b>Wheel complete</b> Hjul komplett; Rad komplett; Roue complete	2	186807		
26	<b>Axle</b> Axel; Achse; Axe	1	186688		

4350-004

P0011762

**4350-004 Steering angle sensor**

[2000-02-16]

Styrvinkelgivare; Lenkwinkelgeber; Capteur d'angle de direction

Pos	Description	Pcs	Part No	Note
11	Sensing device(Complete) Induktivgivare(Komplett); Fühler(Komplett); Emetteur(Complett)	1	159919	
12	Washer Bricka; Scheibe; Rondelle	1	159417	
13	Sensing device Induktivgivare; Fühler; Emetteur	1	159283-080	
14	Sensing device Induktivgivare; Fühler; Emetteur	1	145374-070	
15	Screw Skruv; Schraube; Vis	2	22229	

CLICK HERE TO **DOWNLOAD** THE COMPLETE MANUAL

- Thank you very much for reading the preview of the manual.
- You can download the complete manual from: [www.heydownloads.com](http://www.heydownloads.com) by clicking the link below

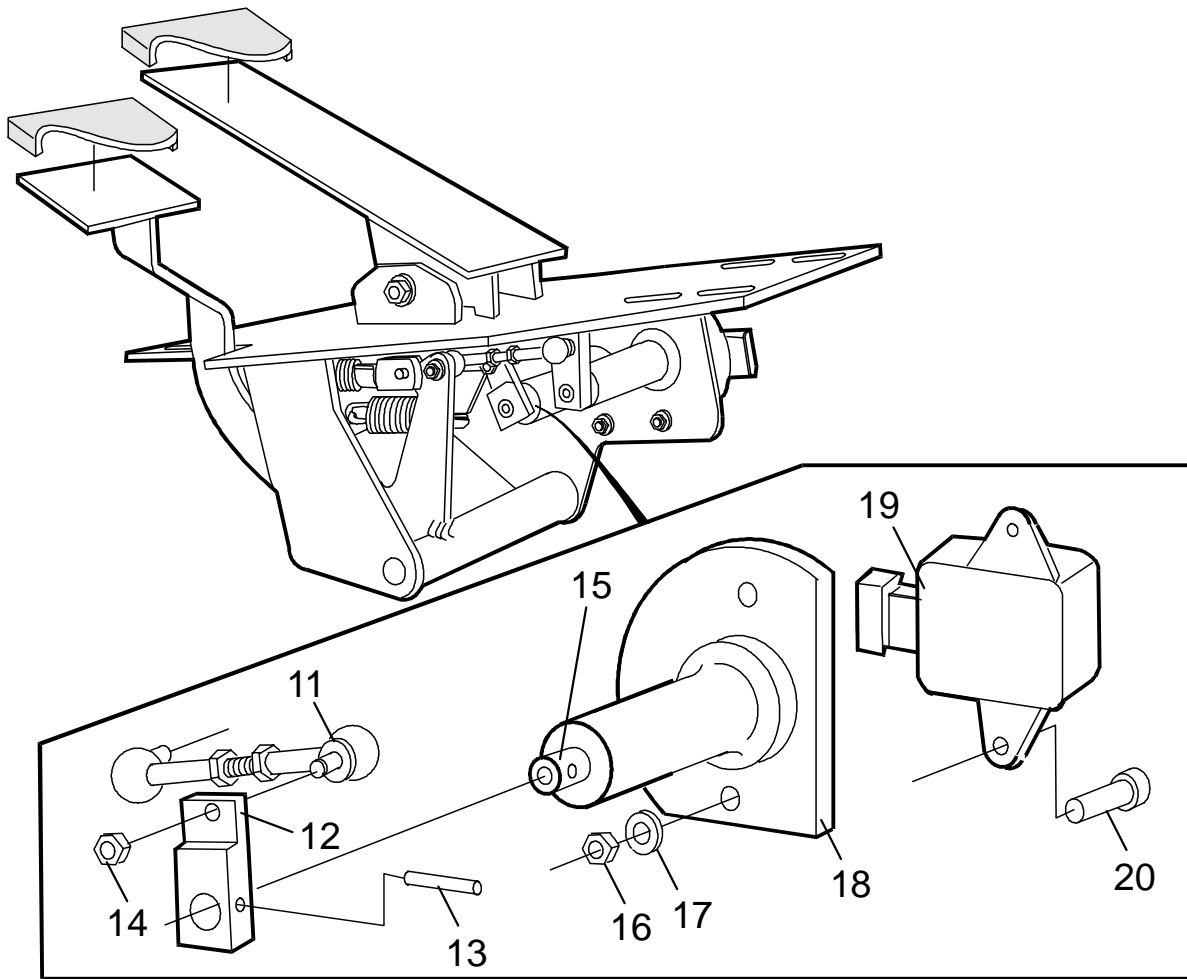


- Please note: If there is no response to CLICKING the link, please download this PDF first and then click on it.

CLICK HERE TO **DOWNLOAD** THE COMPLETE MANUAL

5330-021

P0007232

**5330-021 Speed control**

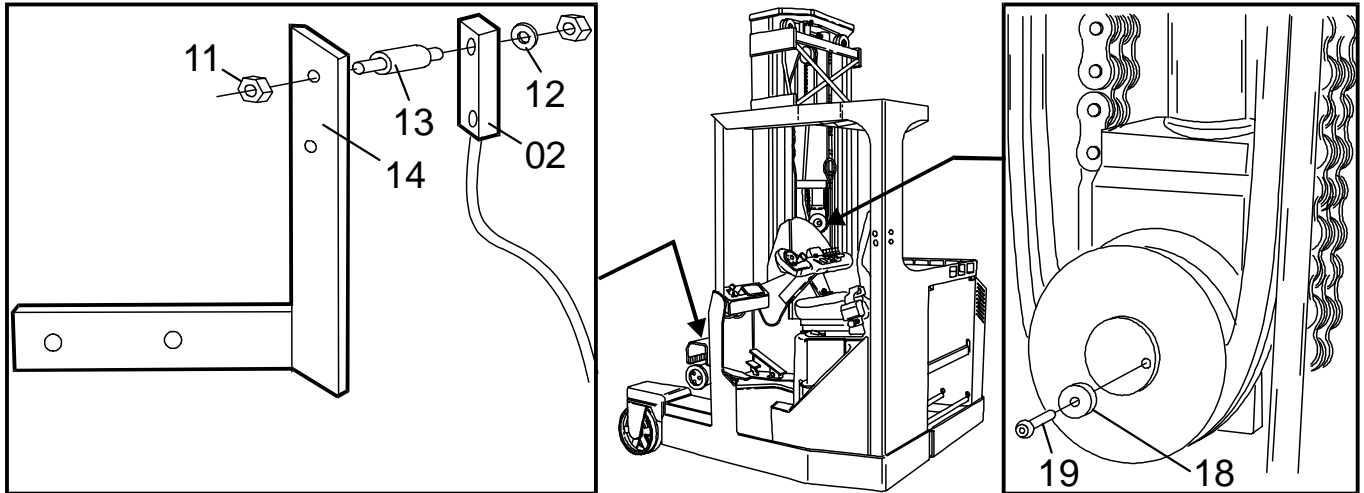
Fartreglering; Geschwindigkeitsreglung; Régulation de vitesse

[1997-10-28]

		493 FR 2.7		399500 -
Pos	Description	Pcs	Part No	Note
11	Link Länk; Gelenk; Bras	1	185698	
12	Arm Arm; Arm; Bras	1	185728	
13	Locking pin Spännstift; Spannstift; Goupille	1	20049	
14	Nut Mutter; Mutter; Ecrou	1	21094	
15	Axle Axel; Achse; Axe	1	185723	
16	Nut Mutter; Mutter; Ecrou	2	25699	
17	Washer Bricka; Scheibe; Rondelle	4	21035	
18	Support Stöd; Stütze; Appui	1	185925	
19	Potentiometer Potentiometer; Potentiometer; Potentiometre	1	156276	
20	Screw Skruv; Schraube; Vis	2	27872	

5820-028

P0011764

**5820-028 Lift/lowering/reach movement probes/sensors**

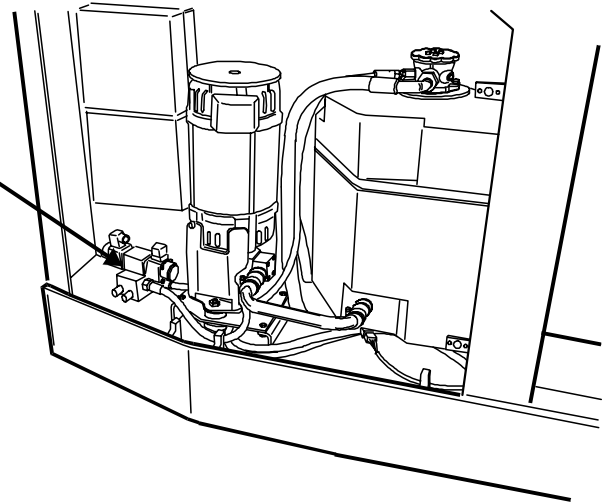
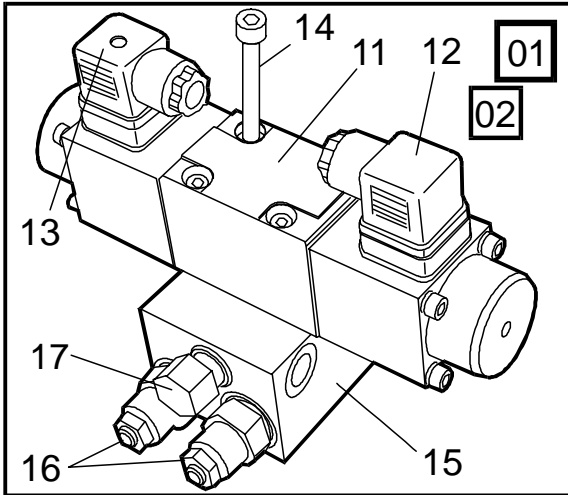
[2000-02-16]

Lyft-/sänk-/skjutrörelse-givare/-sensor; Hub-/Senk-/Schubgeber/-sensor; Capteurs de levage/descente/rétraction

Pos	Description	Pcs	Part No	Note
Speed regulation, mast; Hastighetsreglering, mast; Geschwindigkeitsregulierung, mast; Régulateur de la vitesse, mât			493 FR 2.7	399500 -
02	Magnet switch Magnetbrytare; Magnetschalter; Rupteur de bobine	1	157387-070	
11	Nut Mutter; Mutter; Ecrou	4	28972	
12	Washer Bricka; Scheibe; Rondelle	4	22417	
13	Damper Dämpare; Dämpfer; Attenteur	2	136060	
14	Bracket Fäste; Halterung; Support	1	186365	Triplex Hi - Lo
14	Bracket Fäste; Halterung; Support	1	186948	Duplex Hi - Lo
17	Clamp Klamma; Rohrschelle; Collier	1	22461	
18	Magnet Magnet; Magnet; Magnétique	1	172622	
19	Screw Skruv; Schraube; Vis	1	21426	

6160-001

P0011704

**6160-001 Control valve**

Styr-/manöverventil; Steuer-/Bedienungsventil; Soupape de réglage

[2000-01-31]

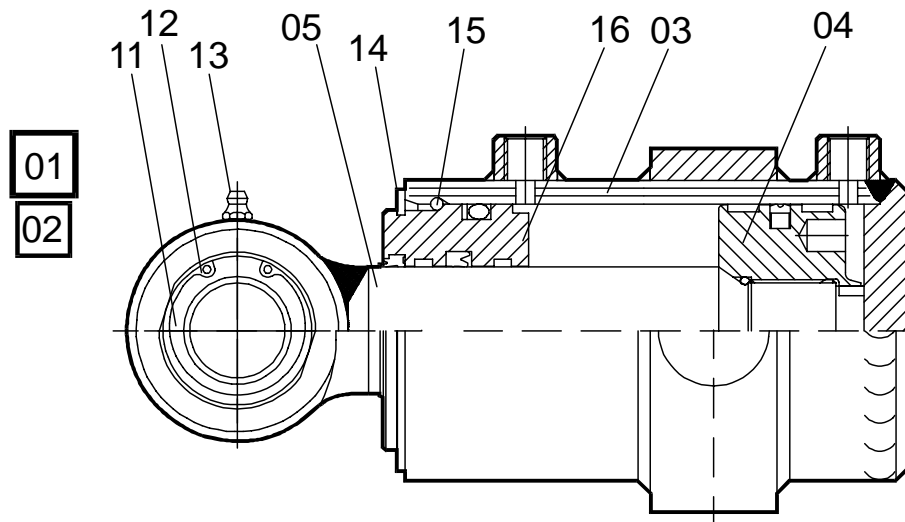
Wheel direction adjusting; Hjulomställning, riktning; Radumstellung, richtung; Régler de roue, direction		493 FR 2.7	399500 -	
Pos	Description	Pcs	Part No	Note
01	Valve(Complete) Ventil(Komplett); Ventil(Komplett); Soupape(Complet)	1	186804	
02	Packing set Packningssats; Packungssatz; Jeux d' étanchéité.	1	186879	
11	Valve Ventil; Ventil; Soupape	1	186869	
12	Contact Kontakt; Kontakt; Contact	1	186870	
13	Contact Kontakt; Kontakt; Contact	1	186871	
14	Screw Skruv; Schraube; Vis	4	186872	
15	Valve unit Ventilblock; Ventileinheit; Soupape unit	1	186866	
16	Valve Ventil; Ventil; Soupape	2	186868	
17	Valve Ventil; Ventil; Soupape	1	186867	





6660-006

P0011717

**6660-006 Tilt cylinders**

Tiltcylinder; Neigezylinder; Vérin d'inclinaison

[2000-02-02]

Pos	Description	Pcs	Part No	Note
			493 FR 2.7	399500 -
01	Tilting cylinder(Complete) Tiltcylinder(Komplett); Neigezylinder(Komplett); Verin de inclination(Comple)	1	186444	
02	Packing set Packningssats; Packungssatz; Jeux d'étanchéité.	1	186449	
03	Cylinder pipe Cylinderrör; Zylinderrohr; Tube de cylindre	1	186446	
04	Piston Kolv; Kolben; Piston	1	186445	
05	Piston rod Kolvstång; Kolbenstange; Tige de piston	1	186448	
11	Ball bearing Kullager; Kugellager; Roulement a billes	1	22741	
12	Locking ring Spårring; Schliessring; Circlip	1	20923	
13	Greasing nipple Smörjnippel; Smiernippel; Graisseur	1	28255	
14	Locking ring Spårring; Schliessring; Circlip	1	186432	
15	Locking ring Spårring; Schliessring; Circlip	1	186433	
16	Guide Styrning; Steuerung; Guidage	1	186447	

**7120-092 Main lift chain system**

[2000-02-01]

Huvudlyftkedjesystem; Haupthubkettensystem; Système de chaîne de levage mâit principal

Duplex Hi - Lo		493 FR 2.7	399500 -	
Pos	Description	Pcs	Part No	Note
11	Chain complete Kedja komplett; Ketten komplett ; Chaîne complete	1	186415-415	
11	Chain complete Kedja komplett; Ketten komplett ; Chaîne complete	1	186415-450	
12	Chain(Meter) Kedja(Meter); Ketten(Meter); Chaîne(Metre)		807360CAA	
13	Bolt Bult; Bolzen; Boulon	2	186472	
14	Washer Bricka; Scheibe; Rondelle	4	29588	
15	Bolt Bult; Bolzen; Boulon	2	186473	
16	Cotter pin Saxpinne; Gespalter stift; Goupille fendue	4	186471	
17	Cotter pin Saxpinne; Gespalter stift; Goupille fendue	4	20545	
18	Nut Mutter; Mutter; Ecrou	2	20425	
19	Washer Bricka; Scheibe; Rondelle	2	186476	
20	Nut Mutter; Mutter; Ecrou	2	20246	
21	Chain wheel Kedjehjul; Kettenrad; Roue de chaîne	2	186352	
22	Screw Skruv; Schraube; Vis	1	21819	
23	Washer Bricka; Scheibe; Rondelle	1	186478	
24	Chain yoke Kedjeok; Kettenjoch; Manchon porte chaîne	1	186329	
25	Axle Axel; Achse; Axe	1	186348	
26	Screw Skruv; Schraube; Vis	4	28264	
27	Locking plate Låsplåt; Schlussplatte; Lame de serrage	2	122354	
28	Axle Axel; Achse; Axe	1	186350	

CLICK HERE TO **DOWNLOAD** THE COMPLETE MANUAL

- Thank you very much for reading the preview of the manual.
- You can download the complete manual from: [www.heydownloads.com](http://www.heydownloads.com) by clicking the link below



- Please note: If there is no response to CLICKING the link, please download this PDF first and then click on it.

CLICK HERE TO **DOWNLOAD** THE COMPLETE MANUAL