

Quality Parts

VR SF

Valid for machine number..... 709569 -

Only valid for machine number.....

| | | | | | | | | |
|--|--|--|--|--|--|--|--|--|
| | | | | | | | | |
|--|--|--|--|--|--|--|--|--|

Ordering number 217711

Date 2004-04-21

Language..... en sv de fr / ITS / ESIF

CLICK HERE TO **DOWNLOAD** THE COMPLETE MANUAL

- Thank you very much for reading the preview of the manual.
- You can download the complete manual from: www.heydownloads.com by clicking the link below



- Please note: If there is no response to CLICKING the link, please download this PDF first and then click on it.

CLICK HERE TO **DOWNLOAD** THE COMPLETE MANUAL

Quality Parts

| | | |
|-------------------|--|-------------------------------|
| 9370-00024 | Extra warning lights/alarm Extra varningsljus/-larm; Extra Warn-/ Alarmleuchte; Avertisseurs/dispositifs d'alarme supplémentaires; | Travel alarm |
| 9370-00065 | Extra warning lights/alarm Extra varningsljus/-larm; Extra Warn-/ Alarmleuchte; Avertisseurs/dispositifs d'alarme supplémentaires; | |
| 9380-00001 | Charger attachment Laddartillsats; Zusatzladegerät; Chargeur supplémentaire; | Acid circulation |
| 9390-00020 | Positioning/TV equip., height preselector Positionerings-/TV-utrustn., höjdförval; Positionier-/TV-Anlage, Höhenvorwahl; Equipem. positionnement/vidéo, présélecteur de hauteur; | Cabin |
| 9390-00021 | Positioning/TV equip., height preselector Positionerings-/TV-utrustn., höjdförval; Positionier-/TV-Anlage, Höhenvorwahl; Equipem. positionnement/vidéo, présélecteur de hauteur; | Shuttel fork unit |
| 9400-00041 | Extra electrical equipment Extra elektrisk utrustning; Elektrische Zusatzausrüstung; Equipement électrique supplémentaire; | Power hook-up |
| 9420-00020 | Truck log device, code locking device Truck logg utrustn., kodlås; Truck Log System, Codesperre; Système Optigest, verrouillage (blocage) code; | Truck log, EV1 |
| 9420-00041 | Truck log device, code locking device Truck logg utrustn., kodlås; Truck Log System, Codesperre; Système Optigest, verrouillage (blocage) code; | Truck log, S16 |
| 9500-00071 | Other extra equipment Extra utrustning övrigt; Zusatzausrüstung Sonstiges; Autre équipement supplémentaire; | Writing table |
| 9500-00188 | Other extra equipment Extra utrustning övrigt; Zusatzausrüstung Sonstiges; Autre équipement supplémentaire; | Lateral steering wheel |

0620-00011 Seat, cushions

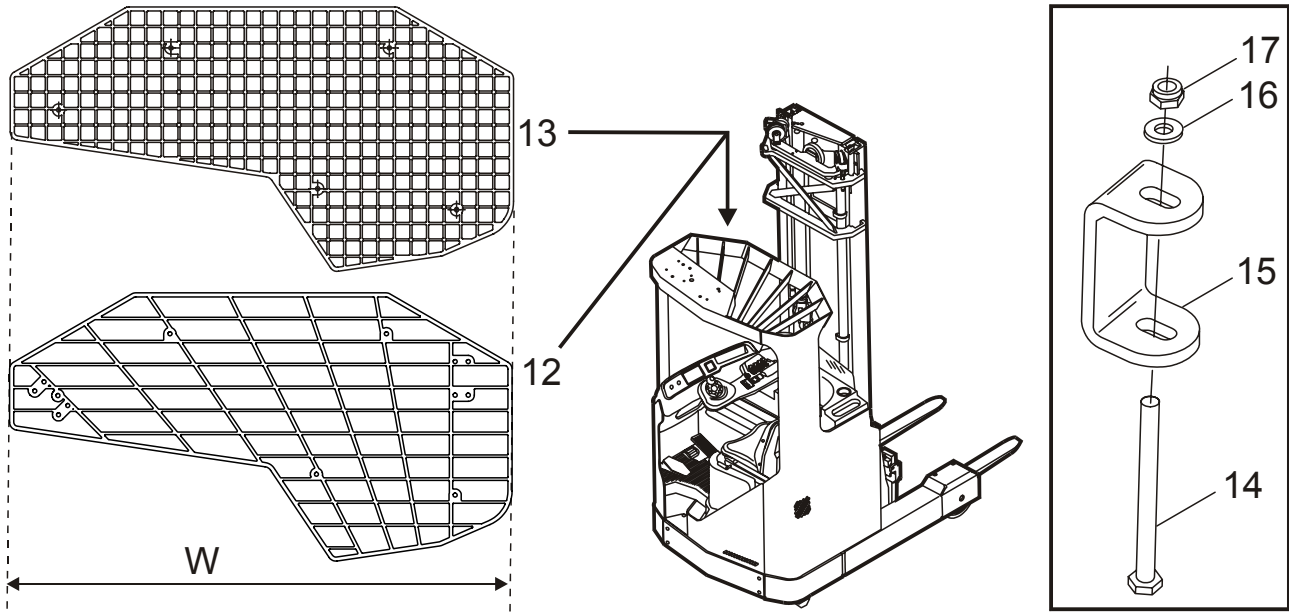
[2004-01-08]

Förarstol, dynor; Fahrersitz, Kissen; Siège, coussins de siège/dossier;

| | | 485 VR SF | | 351234 - | |
|-----|---|-----------|------------|---|--|
| Pos | Description | Pcs | Part No | Note | |
| 11 | Seat complete(Textile) Stol kpl.(Textil); Sitz kpl.(Textil); Siege cpl.(Textile) | 1 | 157506 | Standard design Standardutförande; Normalaus- rüstung; Standard | |
| 11 | Seat complete(Heated 48V / textile) Stol kpl.(El-uppvärmd 48V / textil); Sitz kpl.(El, Erwärmung 48V / Textil); Siege cpl.(Chauffage él, 48V / textile) | 1 | 160191 | | |
| 11 | Seat complete(Heated 48v / vinyl) Stol kpl.(El-uppvärmd 48v / vinyl); Sitz kpl.(EL, Erwärmung 48v / vinyl); Siege cpl.(Chauffage él 48v / vinyle) | 1 | 160194 | | |
| 12 | Seat cushion(Textile) Sittdyna(Textil); Sitzkissen(Textil); Siége(Textile) | 1 | 162033-001 | | |
| 12 | Seat cushion(Heated 48V / textile) Sittdyna(El-uppvärmd 48V / textil); Sitzkissen(El, Erwärmung 48V / Tex- til); Siége(Chauffage él, 48V / textile) | 1 | 162033-002 | | |
| 12 | Seat cushion(Heated 48v / vinyl) Sittdyna(El-uppvärmd 48v / vinyl); Sitzkissen(EL, Erwärmung 48v / vinyl); Siége(Chauffage él 48v / vinyle) | 1 | 162033-003 | | |
| 13 | Back rest(Textile) Ryggdyna(Textil); Rückenlehne(Textil); Dossier(Textile) | 1 | 162034-001 | | |
| 13 | Back rest(Heated 48V / textile) Ryggdyna(El-uppvärmd 48V / textil); Rückenlehne(El, Erwärmung 48V / Textil); Dossier(Chauffage él, 48V / textile) | 1 | 162034-002 | | |
| 13 | Back rest(Heated 48v / vinyl) Ryggdyna(El-uppvärmd 48v / vinyl); Rückenlehne(EL, Erwärmung 48v / vinyl); Dossier(Chauffage él 48v / vinyle) | 1 | 162034-003 | | |
| 14 | Micro switch(Complete) Mikrobrytare(Komplett); Mikroschalter(Komplett); Interrupteurs(Comple) | 1 | 162049 | | |
| 15 | Housing Kåpa; Haus; Chape | 1 | 162047 | | |
| 16 | Repair kit Reparationssats; Reparatursatz; Kit de réparation | 1 | 162048 | | |
| 17 | Lever Spak; Hebel; Levier | 1 | 162035 | | |
| 18 | Housing Kåpa; Haus; Chape | 1 | 162036 | | |
| 19 | Damper(Kit) Dämpare(Sats); Dämpfer(satz); Attenteur(Jeux) | 1 | 162039 | | |
| 20 | Repair kit Reparationssats; Reparatursatz; Kit de réparation | 1 | 162038 | | |
| 21 | Lever Spak; Hebel; Levier | 1 | 162045 | | |
| 22 | Housing Kåpa; Haus; Chape | 1 | 162037 | | |
| 23 | Wire Wire; Drahtseil; Filament | 1 | 162046 | | |
| 24 | Gas suspension Gasfjäder; Gasfederung; Suspension à gaz | 1 | 162040 | | |
| 25 | Spring Fjäder; Feder; Ressort | 1 | 162041 | | |
| 26 | Arm Arm; Arm; Bras | 1 | 162044 | | |
| 27 | Arm Arm; Arm; Bras | 1 | 162042 | | |
| 28 | Bracket(Kit) Fäste(Sats); Halterung(satz); Support(Jeux) | 1 | 162043 | | |
| 29 | Bar(Kit) Skena(Sats); Stab(satz); Barre(Jeux) | 1 | 162050 | | |
| 30 | Safety belt(Rolled) Säkerhetsbälte(Rullande); Stehgurt(Rollen); Ceinture de sécurité(Roulant) | 1 | 162031 | | |
| 30 | Safety belt(Without roller) Säkerhetsbälte(Utan rulle); Stehgurt(Ohne rolle); Ceinture de sécu- rité(Sans roleau) | 1 | 162032 | | |

0810-00092

P0018005

**0810-00092 Overhead guard/roof**

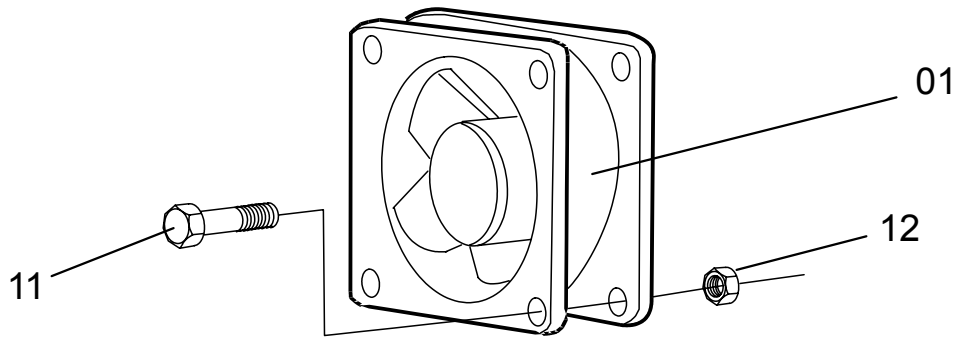
Skyddsbåge/-tak; Dachbügel, Dach; Toit de protection;

[2004-01-08]

| Protective grating; Skyddsgaller; Schutzgitter; Grille de protection | | 485 VR SF | 577200 - | |
|--|---|-----------|----------|-------------------------|
| Pos | Description | Pcs | Part No | Note |
| 12 | Protective grating Skyddsgaller; Schutzgitter; Grille de protection | 1 | 147409 | W = 1228 mm |
| 12 | Protective grating(Kit) Skyddsgaller(Sats); Schutzgitter(satz); Grille de protection(Jeux) | 1 | 148210 | Kit Sats; satz; Jeux |
| 13 | Protective grating Skyddsgaller; Schutzgitter; Grille de protection | 1 | 172870 | W = 1228 mm |
| 13 | Protective grating(Kit) Skyddsgaller(Sats); Schutzgitter(satz); Grille de protection(Jeux) | 1 | 179689 | Kit Sats; satz; Jeux |
| 14 | Screw Skruv; Schraube; Vis | 5 | 28912 | |
| 15 | Bracket Fäste; Halterung; Support | 5 | 180670 | |
| 16 | Washer Bricka; Scheibe; Rondelle | 5 | 20375 | |
| 17 | Nut Mutter; Mutter; Ecrou | 5 | 20433 | |

1740-00003

P0009593

**1740-00003 Electric fan motor, electric fan**

[2004-04-15]

Elektrisk fläktmotor/fläkt; Elektro-Lüftermotor/Lüfter; Moteur du ventilateur/ventilateur électrique;

| | | 485 VR SF | | 351234 - | |
|-----|--|-----------|---------|----------|--|
| Pos | Description | Pcs | Part No | Note | |
| 01 | Fan Fläkt; Kühlgebläse; Ventilateur | 1 | 135150 | | |
| 11 | Screw Skruv; Schraube; Vis | 4 | 25360 | | |
| 12 | Nut Mutter; Mutter; Ecrou | 4 | 20235 | | |

4310-00015 Electric steering wheel/lever

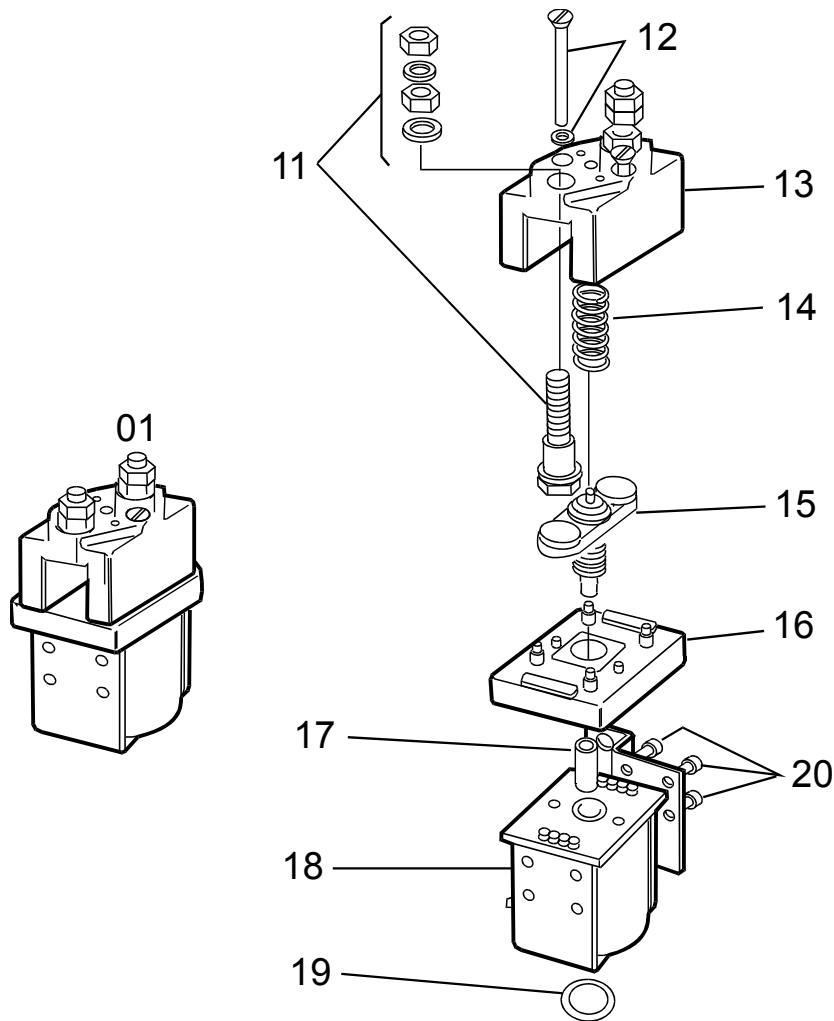
[2004-04-15]

Elektr.ratt/-spakstyrning; Elektro-lenkrad/-hebellenkung; Timon/volant de direction électrique;

| | | | 485 VR SF | 401375 - |
|-----|--|-----|------------|---|
| Pos | Description | Pcs | Part No | Note |
| 11 | Panel Panel; Paneel; Panneau | 1 | 143228 | |
| 12 | Panel Panel; Paneel; Panneau | 1 | 143229 | |
| 13 | Screw Skruv; Schraube; Vis | 1 | 28334 | |
| 14 | Washer Bricka; Scheibe; Rondelle | 1 | 21394 | |
| 15 | Nut Mutter; Mutter; Ecrou | 1 | 20096 | |
| 16 | Washer Bricka; Scheibe; Rondelle | 1 | 135459 | |
| 17 | Nut Mutter; Mutter; Ecrou | 1 | 20016 | |
| 18 | Washer Bricka; Scheibe; Rondelle | 1 | 20404 | |
| 19 | Spinner Spinnare; Lenkfleier; Poignée volant | 1 | 141840 | |
| 20 | Steering wheel(D = 110 mm) Ratt; Lenkrad; Volant | 1 | 135457 | Standard design Standardutförande; Normalaus- rüstung; Standard |
| 20 | Steering wheel(D = 200 mm) Ratt; Lenkrad; Volant | 1 | 143285 | |
| 21 | Locking ring Spärring; Schliessring; Circlip | 1 | 20009 | |
| 22 | O-ring O-ring; O-ring; Joint torique | 1 | 20620 | |
| 23 | Ball bearing Kullager; Kugellager; Roulement a billes | 1 | 28300 | |
| 23 | Ball bearing Kullager; Kugellager; Roulement a billes | 1 | 29878 | Cold stores Fryshus; Gefrieranlage; Chambre frigorifique |
| 24 | Bearing bracket Lagerhållare; Lagerhalten; Support de roulement | 1 | 135461 | |
| 25 | Locking ring Spärring; Schliessring; Circlip | 1 | 20008 | |
| 26 | Screw Skruv; Schraube; Vis | 4 | 29815 | |
| 27 | Motor Motor; Motor; Moteur | 1 | 179738 | |
| 28 | Screw Skruv; Schraube; Vis | 1 | 29679 | |
| 29 | Washer Bricka; Scheibe; Rondelle | 1 | 20404 | |
| 30 | Lever Spak; Hebel; Levier | 1 | 142422-008 | |
| 31 | Consol Konsol; Konsole; Console | 1 | 147319 | |
| 32 | Arm Arm; Arm; Bras | 1 | 142410 | |
| 33 | Lever Spak; Hebel; Levier | 1 | 140808-002 | |
| 34 | Bracket Fäste; Halterung; Support | 1 | 143221 | |
| 34 | Bracket Fäste; Halterung; Support | 1 | 148941 | Cabin tilt ERGO - REX Hyttilt ERGO - REX; Umklappbar Kabinen ERGO - REX; Cabine oscillant ERGO - REX |
| 35 | Bush Bussning; Bague; Bague | 2 | 138886 | |
| 36 | Locking ring Spärring; Schliessring; Circlip | 1 | 20041 | |

5190-00015

P0006443

**5190-00015 Battery cut out connector/contact**

[2003-12-09]

Batterifrånskiljare, huvudkontaktör; Batterietrennung, Hauptkontaktör; Coupe-circuit de batterie, contacteur;

| Pos | Description | Pcs | Part No | Note |
|-----|---|-----|---------|------|
| 01 | Contact Kontaktör; Kontaktör; Contacteur | 1 | 153851 | |
| 11 | Screw(Kit) Skruv(Sats); Schraube(satz); Vis(Jeux) | 2 | 155058 | |
| 12 | Screw Skruv; Schraube; Vis | 2 | 155056 | |
| 13 | Housing Kåpa; Haus; Chape | 1 | 155057 | |
| 14 | Spring Fjäder; Feder; Ressort | 1 | 155060 | |
| 15 | Contact Kontakt; Kontakt; Contact | 1 | 155059 | |
| 16 | Contact device Kontaktblock; Kontakteinheit; Unite de contact | 1 | 155061 | |
| 17 | Pipe Rör; Rohr; Tube | 1 | 155062 | |
| 18 | Magnetic coil Magnetspole; Magnetspule; Bobine électrique | 1 | 155063 | |
| 19 | Cover Lock; Deckel; Couvercle | 1 | 155064 | |
| 20 | Bracket(Kit) Fäste(Sats); Halterung(satz); Support(Jeux) | 1 | 155065 | |

CLICK HERE TO **DOWNLOAD** THE COMPLETE MANUAL

- Thank you very much for reading the preview of the manual.
- You can download the complete manual from: www.heydownloads.com by clicking the link below



- Please note: If there is no response to CLICKING the link, please download this PDF first and then click on it.

CLICK HERE TO **DOWNLOAD** THE COMPLETE MANUAL

5390-00150 Driving function harnesses/fuse

[2000-05-30]

Åkfunktionkablage/-säkring; Verkabelung, Sicherung Fahrfunktion; Câblage/fusible fonction de déplacement;

| Support arm wheel brake; Stödbensbroms; Spreizenradbremse; Frein, (roue de longeron) | | 485 VR SF | 362913 - | |
|--|---|-----------|------------|-------------------------------|
| Pos | Description | Pcs | Part No | Note |
| 11 | Wiring harness Kablage; Kabelsatz; Câblage | 1 | 177775 | |
| 12 | Housing Kåpa; Haus; Chape | 4 | 177851 | |
| 13 | Screw Skruv; Schraube; Vis | 8 | 21324 | |
| 14 | Plate Plåt; Platte; Plaque | 1 | 177857 | Left Vänster; Links; Gauge |
| 14 | Plate Plåt; Platte; Plaque | 1 | 177858 | Right Höger; Recht; Droit |
| 15 | Clamp Klamma; Rohrschelle; Collier | 6 | 20942 | |
| 16 | Screw Skruv; Schraube; Vis | 2 | 21324 | |
| 17 | Bracket Fäste; Halterung; Support | 2 | 129399 | |
| 18 | Washer Bricka; Scheibe; Rondelle | 2 | 20375 | |
| 19 | Nut Mutter; Mutter; Erou | 2 | 20433 | |
| 20 | Plate Plåt; Platte; Plaque | 2 | 171089 | |
| 21 | Washer Bricka; Scheibe; Rondelle | 2 | 20348 | |
| 22 | Screw Skruv; Schraube; Vis | 2 | 20420 | |
| 23 | Clamp Klamma; Rohrschelle; Collier | 3 | 156268-001 | |

5840-00020 Aisle probes/sensors

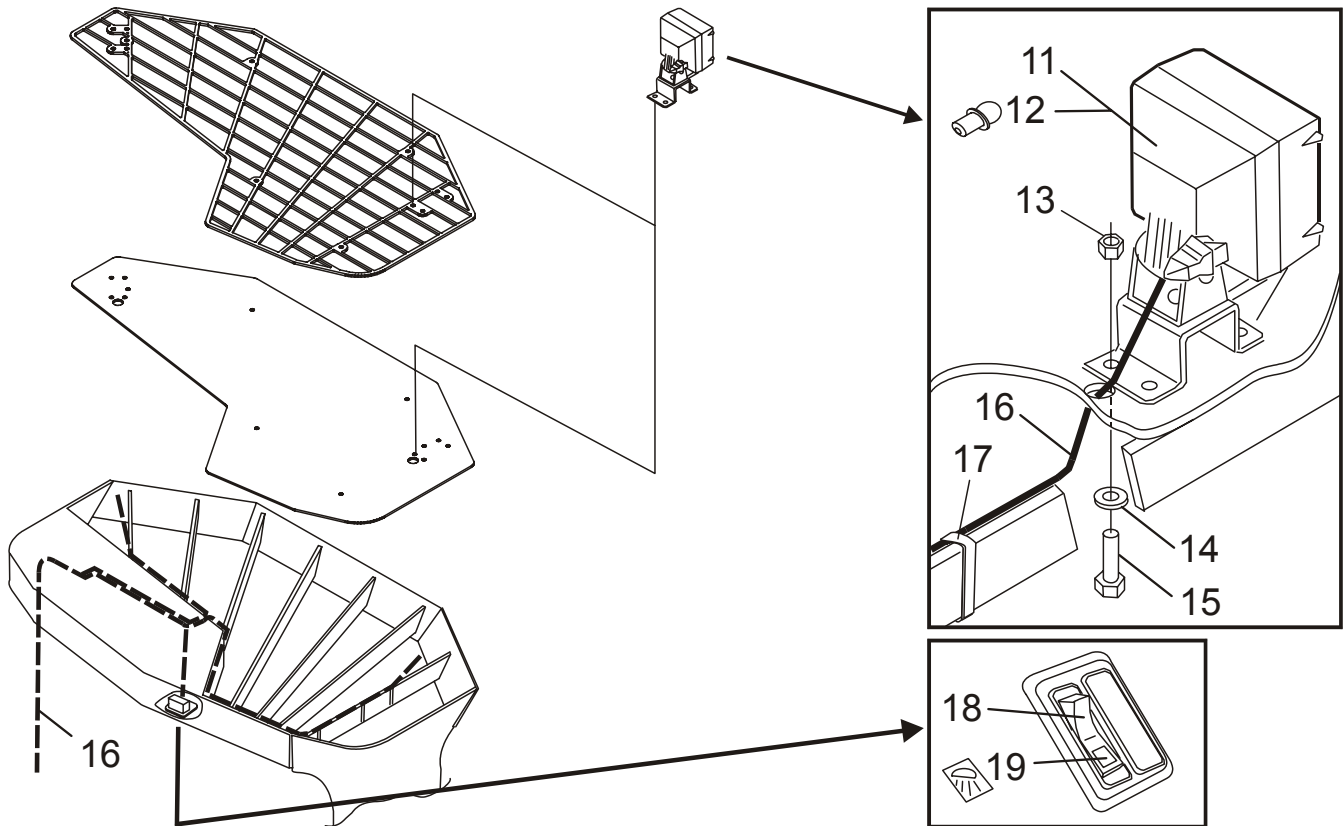
[2003-12-03]

Gångindikeringsgivare/-sensor; ""Im Gang""-geber/-sensor"; Capteurs d'indication en allée;

| | | 485 VR SF | | 598439 - | |
|-----|---|-----------|------------|----------|--|
| Pos | Description | Pcs | Part No | Note | |
| 11 | Magnet switch Magnetbrytare; Magnetschalter; Rupteur de bobine | 6 | 213594-070 | | |
| 12 | Damper Dämpare; Dämpfer; Attenteur | 12 | 136060 | | |
| 13 | Washer Bricka; Scheibe; Rondelle | 24 | 21392 | | |
| 14 | Nut Mutter; Mutter; Ecrou | 24 | 20255 | | |
| 15 | Screw Skruv; Schraube; Vis | 2 | 22337 | | |
| 16 | Washer Bricka; Scheibe; Rondelle | 2 | 20348 | | |
| 17 | Bracket Fäste; Halterung; Support | 1 | 213581 | | |
| 18 | Bracket Fäste; Halterung; Support | 1 | 214352 | | |
| 19 | Screw Skruv; Schraube; Vis | 2 | 22533 | | |
| 20 | Bracket Fäste; Halterung; Support | 1 | 214353 | | |
| 21 | Screw Skruv; Schraube; Vis | 2 | 20351 | | |
| 22 | Washer Bricka; Scheibe; Rondelle | 2 | 20404 | | |
| 23 | Nut Mutter; Mutter; Ecrou | 2 | 20016 | | |
| 24 | Clamp Klamma; Rohrschelle; Collier | 2 | 28192 | | |
| 25 | Bracket Fäste; Halterung; Support | 1 | 214351 | | |
| 26 | Screw Skruv; Schraube; Vis | 2 | 22533 | | |
| 27 | Washer Bricka; Scheibe; Rondelle | 2 | 20404 | | |
| 28 | Nut Mutter; Mutter; Ecrou | 2 | 20016 | | |
| 29 | Nut Mutter; Mutter; Ecrou | 2 | 20016 | | |
| 30 | Washer Bricka; Scheibe; Rondelle | 2 | 20404 | | |

9360-00026

P0018012



9360-00026 Extra lighting

Extra belysning; Zusatzbeleuchtung; Eclairage supplémentaire;

[2003-12-09]

| Protective grating, transparent plastic; Skyddsgaller, plastglas; Schutzgitter, Organisches glass; Grille de protection, plastique transparent | | 485 VR SF | 598439 - | |
|--|---|-----------|------------|---|
| Pos | Description | Pcs | Part No | Note |
| 11 | Headlight Strålkastare; Scheinwerfer; Éclairage intensif | 2 | 153251 | |
| 12 | Bulb Glödlampa; Birne; Lampe à incandescence | 2 | 24772 | |
| 13 | Nut Mutter; Mutter; Ecrou | 8 | 20016 | |
| 14 | Washer Bricka; Scheibe; Rondelle | 8 | 42993 | Transparent plastic Plastglas; Organisches glass; Plastique transparent |
| 15 | Screw Skruv; Schraube; Vis | 8 | 21935 | |
| 16 | Wiring harness Kablage; Kabelsatz; Câblage | 1 | 171121 | |
| 17 | Clamp Klamma; Rohrschelle; Collier | 10 | 20942 | |
| 18 | Switch Brytare; Schalter; Rupteur | 1 | 132571 | |
| 19 | Sign Skylt; Schild; Vignette | 1 | 133414-011 | |

CLICK HERE TO **DOWNLOAD** THE COMPLETE MANUAL

- Thank you very much for reading the preview of the manual.
- You can download the complete manual from: www.heydownloads.com by clicking the link below



- Please note: If there is no response to CLICKING the link, please download this PDF first and then click on it.

CLICK HERE TO **DOWNLOAD** THE COMPLETE MANUAL