

## Quality Parts

VR C

Valid for machine number..... 411752AA -

Only valid for machine number..... 

|  |  |  |  |  |  |  |  |  |
|--|--|--|--|--|--|--|--|--|
|  |  |  |  |  |  |  |  |  |
|--|--|--|--|--|--|--|--|--|

Ordering number ..... 181419

Date ..... 2001-04-09

Language..... GB SE DE FR / ITS / ESIF

CLICK HERE TO **DOWNLOAD** THE COMPLETE MANUAL

- Thank you very much for reading the preview of the manual.
- You can download the complete manual from: [www.heydownloads.com](http://www.heydownloads.com) by clicking the link below



- Please note: If there is no response to CLICKING the link, please download this PDF first and then click on it.

CLICK HERE TO **DOWNLOAD** THE COMPLETE MANUAL

|                 |   |                                |
|-----------------|---|--------------------------------|
| <b>5330-021</b> | <b>Speed control</b><br>Fartreglering; Geschwindigkeitsreglung; Régulation de vitesse   |                                |
| <b>5390-151</b> | <b>Driving function harnesses/ fuse</b><br>Åkfunktionskablage/-säkring; Verkabelung, Sicherung Fahrfunktion; Câblage/ fusible fonction de déplacement                                     | <b>Support arm wheel brake</b> |
| <b>5390-153</b> | <b>Driving function harnesses/ fuse</b><br>Åkfunktionskablage/-säkring; Verkabelung, Sicherung Fahrfunktion; Câblage/ fusible fonction de déplacement                                     |                                |
| <b>5430-080</b> | <b>Drive motor cables/resistors/fuses</b><br>Drivmotorkablar/-motstånd/-säkring; Fahrmotorkabel/-widerstand/-sicherung; Câbles/résistances/fusible moteur de traction                     |                                |
| <b>5460-021</b> | <b>Transistor panel</b><br>Transistorpanel ; Transistorpanel; Panneau transistor  |                                |
| <b>5510-044</b> | <b>Work function micro switches, potentiometers</b><br>Arbetsfunktionsbrytare/-potentiometer; Schalter/Potentiometer Arbeitsfunktion; Rupteurs (switches)/potentiomètres                  | <b>Batching by weight</b>      |
| <b>5510-046</b> | <b>Work function micro switches, potentiometers</b><br>Arbetsfunktionsbrytare/-potentiometer; Schalter/Potentiometer Arbeitsfunktion; Rupteurs (switches)/potentiomètres                  | <b>Joystick</b>                |
| <b>5590-015</b> | <b>Work function harnesses/ fuse</b><br>Arbetsfunktionskablage/ -säkring; Steurströmverkabelung/ -Sicherung; Câblage/ fusible fonction de travail   |                                |
| <b>5590-022</b> | <b>Work function harnesses/ fuse</b><br>Arbetsfunktionskablage/ -säkring; Steurströmverkabelung/ -Sicherung; Câblage/ fusible fonction de travail   |                                |
| <b>5680-072</b> | <b>Battery/motor cables, fuse</b><br>Batteri-/motorkablar, säkring; Batterie-/Motor kabel, Sicherung; Câbles de batterie/moteur, fusible  |                                |
| <b>5710-055</b> | <b>Drive/multi-function PCBs</b><br>Elektronikkort åkning/kombination; Elektronikkarten Fahren/kombination; Cartes électroniques déplacement/combinaison                                  |                                |
| <b>5720-001</b> | <b>Work function PCBs</b><br>Elektronikkort arbetsfunktion; Elektronikkarten Arbeitsfunktion; Cartes électroniques fonction de travail  |                                |
| <b>5790-007</b> | <b>Safely electronics harnesses, fuse</b><br>Skyddselektronikkablage/-säkring; Verkabelung, Sicherung Schutzelektronik; Faisceaux/câbles de commande, fusible, électronique de protection | <b>Cabin tilt ERGO - REX</b>   |
| <b>5820-014</b> | <b>Lift/lowering/reach movment probes/sensors</b><br>Lyft-/sänk-/skjutrörelse-givare/-sensor; Hub-/Senk-/Schubgeber/-sensor; Capteurs de levage/descente/rétraction                       | <b>Height limit</b>            |
| <b>5830-024</b> | <b>Safety probes/ sensors</b><br>Säkerhets-givare/-sensorer; Sicherheitsgeber/-sensor; Capteurs de sécurité   |                                |
| <b>5830-027</b> | <b>Safety probes/ sensors</b><br>Säkerhets-givare/-sensorer; Sicherheitsgeber/-sensor; Capteurs de sécurité   | <b>Left foot switch</b>        |
| <b>5830-036</b> | <b>Safety probes/ sensors</b><br>Säkerhets-givare/-sensorer; Sicherheitsgeber/-sensor; Capteurs de sécurité   |                                |
| <b>5840-009</b> | <b>Aisle probes/sensors</b><br>Gångindikeringsgivare/-sensor; "Im Gang"-geber/-sensor; Capteurs d'indication "en allée"   |                                |

**0390-087 Battery compartment parts**

[2000-06-06]

Batteriutrymmesdelar; Batterieraumteile; Pièce de compartiment batterie

|     |   | 488 VR C |            | 362913 -                     |
|-----|---|----------|------------|------------------------------|
| Pos | Description   | Pcs      | Part No    | Note                         |
| 11  | Rubber sealing strip<br>Gummiprofil; Gummiblock; Pavé de caoutchouc   | 1        | 117157-001 | Meter<br>Meter; Meter; Metre |
| 12  | Support<br>Stöd; Stütze; Appui  | 2        | 163549     |                              |
| 13  | Washer<br>Bricka; Scheibe; Rondelle                                   | 8        | 20404      |                              |
| 14  | Screw<br>Skruv; Schraube; Vis   | 8        | 20365      |                              |
| 15  | Roller(Complete)<br>Rulle(Komplett); Rolle(Komplett); Roleau(Complet) | 6        | 159287     |                              |
| 16  | Roller<br>Rulle; Rolle; Roleau  | 6        | 159288     |                              |
| 17  | Axle<br>Axel; Achse; Axe  | 6        | 159289     |                              |
| 18  | Ball bearing<br>Kullager; Kugellager; Roulement a billes              | 12       | 28420      |                              |
| 19  | Locking ring<br>Spårring; Schliessring; Circlip                       | 12       | 20004      |                              |
| 20  | Guide<br>Styrning; Steuerung; Guidage                                 | 1        | 176783     |                              |
| 21  | Bracket<br>Fäste; Halterung; Support                                  | 1        | 176785     | W = 355 mm                   |
| 22  | Bracket<br>Fäste; Halterung; Support                                  | 1        | 176784     | W = 427 mm                   |
| 23  | Bracket<br>Fäste; Halterung; Support                                  | 1        | 176784     | W = 355 mm                   |
| 24  | Bracket<br>Fäste; Halterung; Support                                  | 1        | 176785     | W = 427 mm                   |
| 25  | Screw<br>Skruv; Schraube; Vis   | 4        | 20358      |                              |
| 26  | Washer<br>Bricka; Scheibe; Rondelle                                   | 4        | 20404      |                              |
| 27  | Nut<br>Mutter; Mutter; Ecrou  | 4        | 20081      |                              |

## 0550-003 Cabin door

[1998-02-26]

Hytt dörr; Kabinettür; Port de cabine

|     |  |     | 488 VR C | 350720 - |
|-----|--|-----|----------|----------|
| Pos | Description  | Pcs | Part No  | Note     |
| 11  | Handle<br>Handtag; Handgriff; Poignée.                           | 1   | 161744   |          |
| 12  | Screw<br>Skruv; Schraube; Vis                                    | 2   | 29899    |          |
| 13  | Screw<br>Skruv; Schraube; Vis                                    | 1   | 29899    |          |
| 15  | Locking plate<br>Låsplåt; Schlussplatte; Lame de serrage         | 1   | 161743   |          |
| 16  | Link<br>Länk; Gelenk; Bras                                       | 1   | 161791   |          |
| 17  | Screw<br>Skruv; Schraube; Vis                                    | 3   | 29899    |          |
| 18  | Screw<br>Skruv; Schraube; Vis                                    | 2   | 29898    |          |
| 19  | Cap<br>Lock; Deckel; Couvercle                                   | 1   | 162687   |          |
| 20  | Box<br>Låda; Büchse; Boîte                                       | 1   | 162742   |          |
| 22  | Screw<br>Skruv; Schraube; Vis                                    | 2   | 29899    |          |
| 23  | List(Meter)<br>List(Meter); Leiste(Meter); Bande(Metre)          |     | 161760   |          |
| 24  | Screw<br>Skruv; Schraube; Vis                                    | 3   | 164930   |          |
| 25  | Plate<br>Plåt; Platte; Plaque                                    | 3   | 161777   |          |
| 26  | Window<br>Fönster; Fenster; Fenêtre                              | 1   | 161758   |          |
| 27  | List(Meter)<br>List(Meter); Leiste(Meter); Bande(Metre)          | 6   | 161765   |          |
| 28  | Lock<br>Lås; Schloss; Verrou                                     | 1   | 152256   |          |
| 29  | Screw<br>Skruv; Schraube; Vis                                    | 4   | 164822   |          |
| 30  | Lock<br>Lås; Schloss; Verrou                                     | 1   | 161749   |          |
| 31  | Compartment<br>Fack; Busche; Boîte                               | 1   | 162672   |          |
| 32  | Screw<br>Skruv; Schraube; Vis                                    | 2   | 29899    |          |
| 33  | Screw<br>Skruv; Schraube; Vis                                    | 3   | 164822   |          |
| 34  | Stopper<br>Stoppåordning; Abstellvorrichtung; Dispositif d'arrêt | 1   | 161769   |          |
| 35  | Bracket<br>Fäste; Halterung; Support                             | 2   | 161790   |          |
| 36  | Screw<br>Skruv; Schraube; Vis                                    | 4   | 29899    |          |
| 37  | Faucet<br>Låstapp; Schlossriegel; Fermeture                      | 1   | 161748   |          |
| 38  | Bracket<br>Fäste; Halterung; Support                             | 1   | 161747   |          |
| 39  | Screw<br>Skruv; Schraube; Vis                                    | 2   | 26875    |          |
| 40  | Screw<br>Skruv; Schraube; Vis                                    | 2   | 29732    |          |
| 41  | Washer<br>Bricka; Scheibe; Rondelle                              |     | 20348    |          |
| 42  | Hook<br>Hake; Haken; Crochet                                     | 1   | 161002   |          |
| 43  | Hinge<br>Gångjärn; Charnier; Charnière                           | 3   | 162676   |          |

## 0680-059 Internal fittings

[1999-11-30]

Inredningsdetaljer; Einrichtungsteile; Accessoires intérieurs

|     |   | 488 VR C |            | 350720 - |  |
|-----|---|----------|------------|----------|--|
| Pos | Description   | Pcs      | Part No    | Note     |  |
| 11  | Observation mirror<br>Bakspegel; Rückspiegel; Rétroviseur | 1        | 161766     |          |  |
| 12  | Screw<br>Skruv; Schraube; Vis                             | 2        | 29898      |          |  |
| 13  | Bracket<br>Fäste; Halterung; Support                      | 1        | 162673     |          |  |
| 14  | Panel<br>Panel; Paneel; Panneau                           | 1        | 161003     |          |  |
| 15  | Washer<br>Bricka; Scheibe; Rondelle                       | 1        | 100231     |          |  |
| 16  | Nut<br>Mutter; Mutter; Ecrou                              | 1        | 24938      |          |  |
| 17  | Handle<br>Handtag; Handgriff; Poignée.                    | 1        | 162670     |          |  |
| 18  | Screw<br>Skruv; Schraube; Vis                             | 2        | 29732      |          |  |
| 19  | Air bleed<br>Luftuttag; Luftauslauf; Échappement d'air    | 3        | 161768     |          |  |
| 20  | Screw<br>Skruv; Schraube; Vis                             | 6        | 29967      |          |  |
| 21  | Panel<br>Panel; Paneel; Panneau                           | 1        | 162565     |          |  |
| 22  | Compartment<br>Fack; Busche; Boîte                        | 1        | 162678     |          |  |
| 23  | Screw<br>Skruv; Schraube; Vis                             | 3        | 164822     |          |  |
| 24  | Panel<br>Panel; Paneel; Panneau                           | 1        | 163073     |          |  |
| 25  | Cushion<br>Dyna; Kissen; Coussin                          | 1        | 143294     |          |  |
| 26  | List<br>List; Leiste; Bande                               | 1        | 147736     |          |  |
| 27  | Clamp<br>Klamma; Rohrschelle; Collier                     | 1        | 157017     |          |  |
| 28  | Washer<br>Bricka; Scheibe; Rondelle                       | 2        | 20404      |          |  |
| 29  | Screw<br>Skruv; Schraube; Vis                             | 2        | 20578      |          |  |
| 30  | Plate<br>Plåt; Platte; Plaque                             | 1        | 162813     |          |  |
| 31  | Damper<br>Dämpare; Dämpfer; Attenteur                     | 2        | 28078      |          |  |
| 32  | Screw<br>Skruv; Schraube; Vis                             | 1        | 20184      |          |  |
| 33  | Washer<br>Bricka; Scheibe; Rondelle                       | 1        | 20404      |          |  |
| 34  | Nut<br>Mutter; Mutter; Ecrou                              | 1        | 28930      |          |  |
| 35  | Cap<br>Lock; Deckel; Couvercle                            | 2        | 132577     |          |  |
| 36  | Frame<br>Ram; Rahmen; Cadre                               | 2        | 133416     |          |  |
| 37  | Screw<br>Skruv; Schraube; Vis                             | 1        | 20938      |          |  |
| 38  | Washer<br>Bricka; Scheibe; Rondelle                       | 1        | 29758      |          |  |
| 39  | Nut<br>Mutter; Mutter; Ecrou                              | 1        | 127035-003 |          |  |
| 40  | Screw<br>Skruv; Schraube; Vis                             | 2        | 29810      |          |  |
| 41  | Nut<br>Mutter; Mutter; Ecrou                              | 2        | 28930      |          |  |

**1710-034 Electric pump motor**

[2001-04-04]

Elektrisk pumpmotor; Elektro-Pumpenmotor; Moteur de pompe électrique

|     |   |     | 488 VR C   | 401375 - |
|-----|---|-----|------------|----------|
| Pos | Description   | Pcs | Part No    | Note     |
| 01  | <b>Motor(Complete)</b><br>Motor(Komplett); Motor(Komplett); Moteur(Complet)               | 1   | 170433-195 |          |
| 11  | <b>Screw</b><br>Skruv; Schraube; Vis  | 3   | 20050      |          |
| 12  | <b>Protection</b><br>Skydd; Schutz; Protègee  | 1   | 179458     |          |
| 13  | <b>Shield</b><br>Sköld; Schild; Bouclier  | 1   | 170425     |          |
| 14  | <b>Screw</b><br>Skruv; Schraube; Vis  | 4   | 160913-355 |          |
| 15  | <b>Washer</b><br>Bricka; Scheibe; Rondelle  | 1   | 180098     |          |
| 16  | <b>Ball bearing</b><br>Kullager; Kugellager; Roulement a billes                           | 1   | 160918     |          |
| 17  | <b>Stator</b><br>Stator; Ständer; Stator  | 1   | 160916-195 |          |
| 18  | <b>Contact housing</b><br>Kontaktus; Kontaktvorrichtung; Engrenage de mise en action      | 1   | 159221-002 |          |
| 19  | <b>Plug</b><br>Stift; Stift; Fiche  | 2   | 159223-002 |          |
| 20  | <b>Sealing</b><br>Tätning; Dichtung; Joint  | 2   | 159224-002 |          |
| 21  | <b>Bracket</b><br>Fäste; Halterung; Support   | 1   | 170383     |          |
| 22  | <b>Bracket</b><br>Fäste; Halterung; Support   | 1   | 170431     |          |
| 23  | <b>Rotor</b><br>Rotor; Rotor; Rotor   | 1   | 170428     |          |
| 24  | <b>Cap</b><br>Lock; Deckel; Couvercle   | 1   | 170429     |          |
| 25  | <b>Bearing</b><br>Lager; Lager; Roulement   | 1   | 28887      |          |
| 26  | <b>Stay ring</b><br>Stödring; Stutzring; Anneau de support                                | 1   | 161035     |          |
| 27  | <b>Locking ring</b><br>Spärring; Schliessring; Circlip                                    | 3   | 20008      |          |
| 28  | <b>Shield</b><br>Sköld; Schild; Bouclier  | 1   | 170426     |          |
| 29  | <b>Sealing</b><br>Tätning; Dichtung; Joint  | 1   | 161658     |          |
| 30  | <b>Nut</b><br>Mutter; Mutter; Ecrou   | 4   | 20433      |          |
| 31  | <b>Screw</b><br>Skruv; Schraube; Vis  | 3   | 170435     |          |
| 32  | <b>Washer</b><br>Bricka; Scheibe; Rondelle  | 3   | 20375      |          |
| 33  | <b>Nut</b><br>Mutter; Mutter; Ecrou   | 3   | 20081      |          |
| 34  | <b>Washer</b><br>Bricka; Scheibe; Rondelle  | 3   | 22528      |          |
| 35  | <b>Terminal board</b><br>Uttagsplint; Klemmbrett; Borne                                   | 1   | 170373     |          |
| 36  | <b>Screw</b><br>Skruv; Schraube; Vis  | 2   | 180096     |          |
| 37  | <b>Sensor(Temperature)</b><br>Givare(Temperatur); Geber(Temperatur); Capteur(Température) | 1   | 170384     |          |

**2550-025 Mechanical drive gear unit**

[1999-10-06]

Drivaggregat/-växel; Antriebsaggregat/-getriebe; Groupe de traction, réducteur

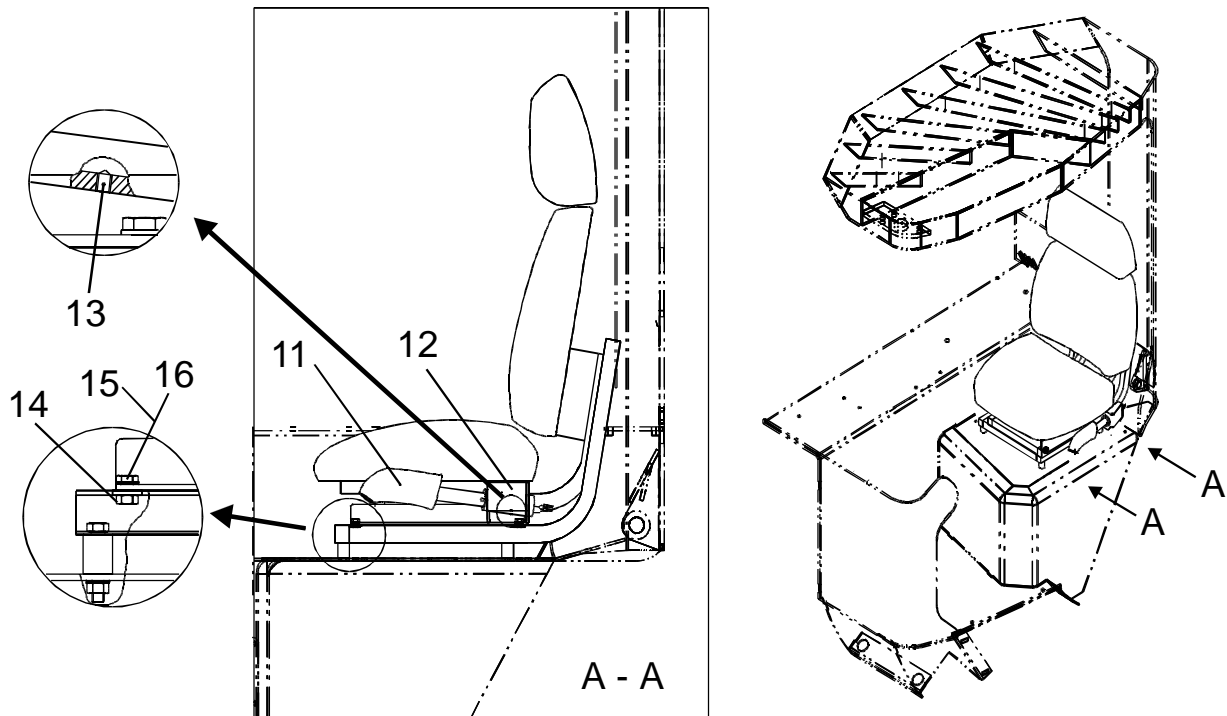
|     |   | 488 VR C |            | 350720 - |  |
|-----|---|----------|------------|----------|--|
| Pos | Description   | Pcs      | Part No    | Note     |  |
| 01  | Driving gear compl.<br>Drivväxel kompl.; Antriebsatz kompl.; Groupe de entrainement compl.                                | 1        | 171464     |          |  |
| 11  | Screw<br>Skruv; Schraube; Vis   | 2        | 26327      |          |  |
| 12  | Washer<br>Bricka; Scheibe; Rondelle   | 1        | 27213      |          |  |
| 13  | Screw<br>Skruv; Schraube; Vis   | 1        | 27212      |          |  |
| 14  | Screw<br>Skruv; Schraube; Vis   | 6        | 20078      |          |  |
| 16  | Screw<br>Skruv; Schraube; Vis   | 8        | 23932      |          |  |
| 17  | Screw<br>Skruv; Schraube; Vis   | 2        | 28344      |          |  |
| 18  | Gear wheel<br>Kuggghjul; Zahnrad; Roue dentée   | 1        | 150898     |          |  |
| 19  | Spare part kit : Bevel gear<br>Reservdelssats : Koniskt kuggghjul; Satz : Kegelfrad; Jeux : Roue conique à denture droite | 1        | 150869     |          |  |
| 20  | Protection<br>Skydd; Schutz; Protègee   | 1        | 150880     |          |  |
| 21  | Screw<br>Skruv; Schraube; Vis   | 7        | 150881     |          |  |
| 22  | Axle<br>Axel; Achse; Axe  | 1        | 150868     |          |  |
| 23  | Sealing<br>Tätning; Dichtung; Joint   | 1        | 29888      |          |  |
| 24  | Shim(0,05 mm)<br>Shims; Schim; Cale   |          | 150885-001 |          |  |
| 24  | Shim(0,1mm)<br>Shims; Schim; Cale   |          | 150885-002 |          |  |
| 24  | Shim(0,2 mm)<br>Shims; Schim; Cale  |          | 150885-003 |          |  |
| 24  | Shim(0,3 mm)<br>Shims; Schim; Cale  |          | 150885-004 |          |  |
| 24  | Shim(0,5 mm)<br>Shims; Schim; Cale  |          | 150885-005 |          |  |
| 25  | Roller bearing<br>Rullager; Rollenlager; Palier à rouleaux  | 1        | 29864      |          |  |
| 26  | Shim(0,05 mm)<br>Shims; Schim; Cale   |          | 150884-001 |          |  |
| 26  | Shim(0,1mm)<br>Shims; Schim; Cale   |          | 150884-002 |          |  |
| 26  | Shim(0,2 mm)<br>Shims; Schim; Cale  |          | 150884-003 |          |  |
| 26  | Shim(0,3 mm)<br>Shims; Schim; Cale  |          | 150884-004 |          |  |
| 26  | Shim(0,5 mm)<br>Shims; Schim; Cale  |          | 150884-005 |          |  |
| 27  | Roller bearing<br>Rullager; Rollenlager; Palier à rouleaux  | 1        | 29865      |          |  |
| 28  | O-ring<br>O-ring; O-ring; Joint torique   | 1        | 29886      |          |  |
| 29  | Washer<br>Bricka; Scheibe; Rondelle   | 1        | 150900     |          |  |
| 30  | Nut<br>Mutter; Mutter; Ecrou  | 1        | 139714     |          |  |
| 31  | Cap<br>Lock; Deckel; Couvercle  | 1        | 150875     |          |  |
| 32  | Roller bearing<br>Rullager; Rollenlager; Palier à rouleaux  | 1        | 20624      |          |  |





5320-006

P0002924

**5320-006 Travel direction switch (separate)**

[1997-01-31]

Riktningväljare (separat); Richtungsschalter (separat); Sélecteur de direction (séparé)

| Cabin tilt ERGO - REX; Hyttilt ERGO - REX; Umklappbar Kabinen ERGO - REX; Cabine oscillant ERGO - REX |   | 488 VR C |         | 350720 - |  |
|---|---|----------|---------|----------|--|
| Pos   | Description   | Pcs      | Part No | Note     |  |
| 11  | Handle(Including switch)<br>Handtag(Med brytare); Handgriff(Mit schalter); Poignée.(Avec rupteur) | 1        | 146435  |          |  |
| 12  | Bracket<br>Fäste; Halterung; Support  | 1        | 146405  |          |  |
| 13  | Screw<br>Skruv; Schraube; Vis   | 1        | 25584   |          |  |
| 14  | Screw<br>Skruv; Schraube; Vis   | 2        | 21935   |          |  |
| 15  | Washer<br>Bricka; Scheibe; Rondelle   | 2        | 20404   |          |  |
| 16  | Nut<br>Mutter; Mutter; Erou   | 2        | 20016   |          |  |

CLICK HERE TO **DOWNLOAD** THE COMPLETE MANUAL

- Thank you very much for reading the preview of the manual.
- You can download the complete manual from: [www.heydownloads.com](http://www.heydownloads.com) by clicking the link below

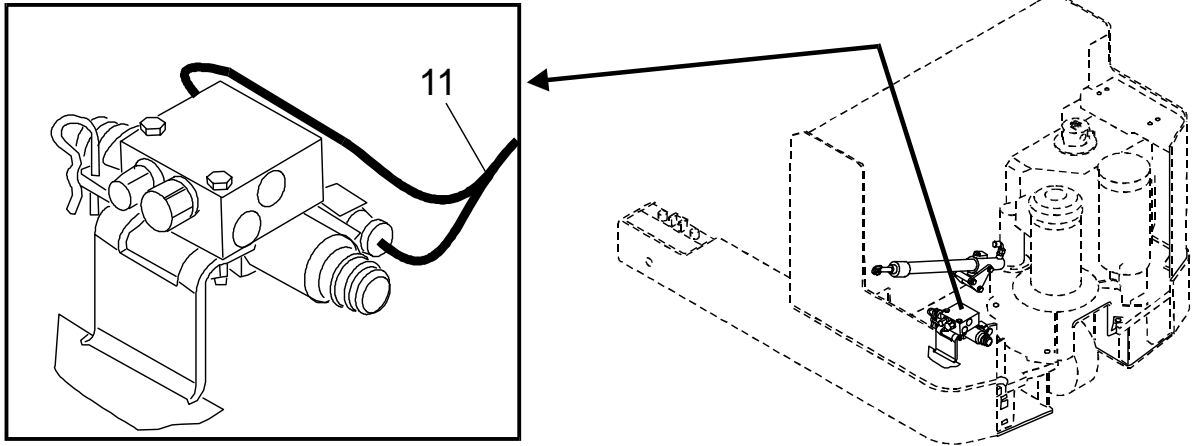


- Please note: If there is no response to CLICKING the link, please download this PDF first and then click on it.

CLICK HERE TO **DOWNLOAD** THE COMPLETE MANUAL

5590-015

P0011463



**5590-015 Work function harnesses/ fuse**

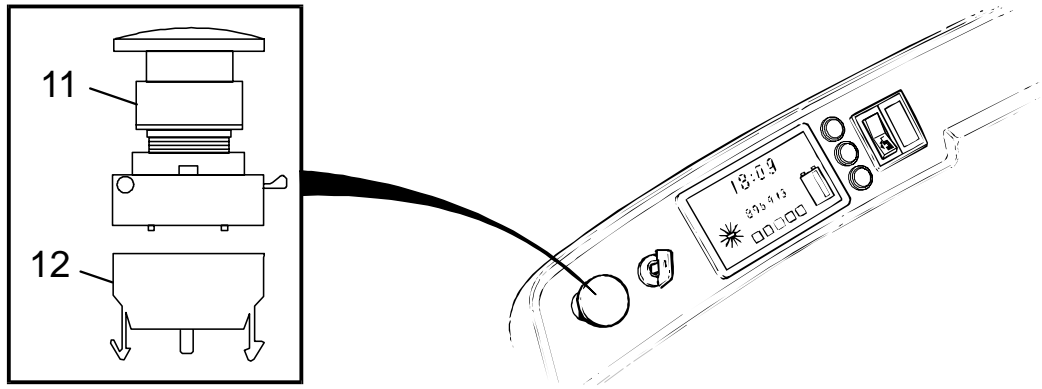
[1999-12-01]

Arbetsfunktionskablage/ -säkring; Steurstromverkabelung/ -Sicherung; Câblage/ fusible fonction de travail

| Pos | Description                                   | Pcs | Part No | Note |
|-----|---|-----|---------|------|
| 11  | Wiring harness<br>Kablage; Kabelsatz; Câblage | 1   | 152093  |      |

5830-024

P0009598

**5830-024 Safety probes/ sensors**

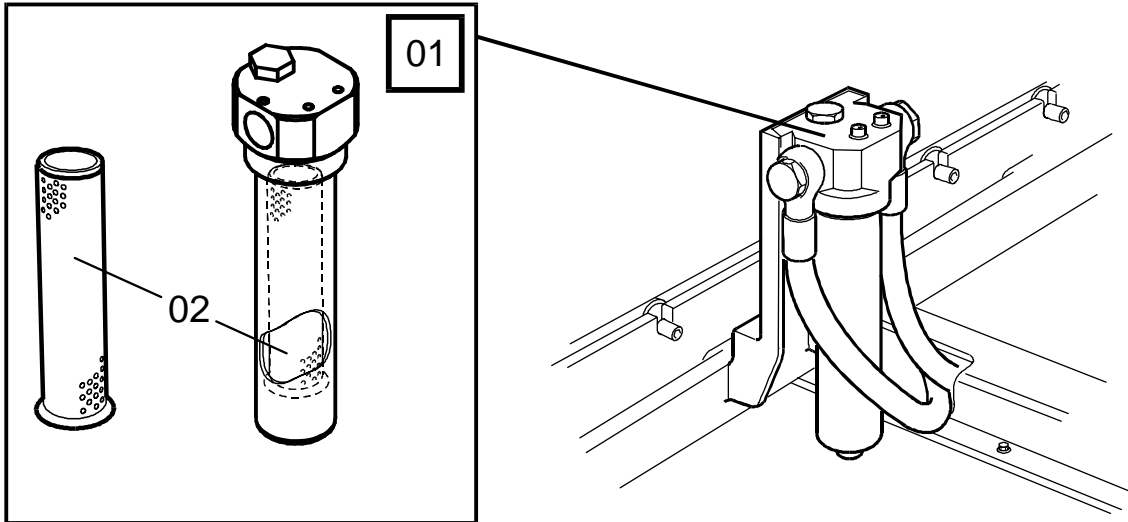
[1999-02-23]

Säkerhets-givare/-sensorer; Sicherheitsgeber/-sensor; Capteurs de sécurité

| Pos | Description   | Pcs | Part No | Note |
|-----|---|-----|---------|------|
| 11  | Push-button(Red)<br>Tryckknapp(Röd); Druckknopf(Rot); Bouton(Rouge) | 1   | 155567  |      |
| 12  | Contact device<br>Kontaktblock; Kontakteinheit; Unite de contact    | 1   | 155568  |      |

6130-016

P0010201



**6130-016 Filters and housing**

[1999-05-10]

Filter, filterhus; Filter, Gehäuse; Filtres, logement de filtre

| Chassis; Chassi; Chassis; Châssis |  | 488 VRC |         | 350720 - |  |
|-----------------------------------|--|---------|---------|----------|--|
| Pos                               | Description  | Pcs     | Part No | Note     |  |
| 01                                | Filter(Complete)<br>Filter(Komplett); Filter(Komplett); Filtre(Comple) | 1       | 167035  |          |  |
| 02                                | Filter<br>Filter; Filter; Filtre                                       | 1       | 171451  |          |  |



**6320-071 Mast hydraulic lines**

[2000-05-17]

Stativhydraulledningar; Hydraulikleitungen Hubeinrichtung; Circuits hydrauliques mât

| With tilt; Med tilt; Mit neigung; Avec inclinasion |   | 488 VR C |            | 362913 -               |
|--|---|----------|------------|------------------------|
| Pos  | Description   | Pcs      | Part No    | Note                   |
| 11   | Valve<br>Ventil; Ventil; Soupape                                | 1        | 171616     |                        |
| 12   | Hose<br>Slang; Schlauch; Tuyau flexible                         | 2        | 177863-065 | L = 1315, AL = 650 mm  |
| 12   | Hose<br>Slang; Schlauch; Tuyau flexible                         | 2        | 177863-070 | L = 1365, AL = 700 mm  |
| 12   | Hose<br>Slang; Schlauch; Tuyau flexible                         | 2        | 177863-075 | L = 1415, AL = 750 mm  |
| 12   | Hose<br>Slang; Schlauch; Tuyau flexible                         | 2        | 177863-080 | L = 1465, AL = 800 mm  |
| 12   | Hose<br>Slang; Schlauch; Tuyau flexible                         | 2        | 177863-090 | L = 1565, AL = 900 mm  |
| 12   | Hose<br>Slang; Schlauch; Tuyau flexible                         | 2        | 177863-100 | L = 1665, AL = 1000 mm |
| 12   | Hose<br>Slang; Schlauch; Tuyau flexible                         | 2        | 177863-110 | L = 1765, AL = 1100 mm |
| 12   | Hose<br>Slang; Schlauch; Tuyau flexible                         | 2        | 177863-120 | L = 1865, AL = 1200 mm |
| 12   | Hose<br>Slang; Schlauch; Tuyau flexible                         | 2        | 177863-130 | L = 1965, AL = 1300 mm |
| 12   | Hose<br>Slang; Schlauch; Tuyau flexible                         | 2        | 177863-140 | L = 2065, AL = 1400 mm |
| 12   | Hose<br>Slang; Schlauch; Tuyau flexible                         | 2        | 177863-150 | L = 2165, AL = 1500 mm |
| 13   | Nut<br>Mutter; Mutter; Ecrou                                    | 1        | 20249      |                        |
| 14   | Washer<br>Bricka; Scheibe; Rondelle                             | 2        | 20375      |                        |
| 15   | Plate<br>Plåt; Platte; Plaque                                   | 3        | 166751     |                        |
| 16   | Clamp<br>Klamma; Rohrschelle; Collier                           | 2        | 166750     |                        |
| 17   | Screw<br>Skruv; Schraube; Vis                                   | 3        | 28511      |                        |
| 18   | Bracket<br>Fäste; Halterung; Support                            | 1        | 174882     |                        |
| 19   | Screw<br>Skruv; Schraube; Vis                                   | 1        | 22073      |                        |
| 20   | Hose<br>Slang; Schlauch; Tuyau flexible                         | 2        | 177862-002 |                        |
| 21   | Hose<br>Slang; Schlauch; Tuyau flexible                         | 2        | 177862-001 |                        |
| 22   | Connection<br>Koppling; Kupplung; Raccord                       | 14       | 28780      |                        |
| 23   | Connector unit<br>Kopplingsstycke; Kupplungsstück; Raccordement | 2        | 176271     |                        |
| 24   | Screw<br>Skruv; Schraube; Vis                                   | 4        | 20750      |                        |
| 25   | Plug<br>Plugg; Pfropf; Bouchon                                  | 2        | 22264      |                        |
| 26   | Nut<br>Mutter; Mutter; Ecrou                                    | 2        | 22982      |                        |

## Quality Parts

6620-010

| Pos | Description   | Pcs | Part No    | Note |
|-----|---|-----|------------|------|
| 03  | Cylinder pipe<br>Cylinderrör; Zylinderrohr; Tube de cylindre                              | 1   | 165179-100 |      |
| 03  | Cylinder pipe<br>Cylinderrör; Zylinderrohr; Tube de cylindre                              | 1   | 165179-110 |      |
| 03  | Cylinder pipe<br>Cylinderrör; Zylinderrohr; Tube de cylindre                              | 1   | 165179-430 |      |
| 03  | Cylinder pipe<br>Cylinderrör; Zylinderrohr; Tube de cylindre                              | 1   | 165179-490 |      |
| 03  | Cylinder pipe<br>Cylinderrör; Zylinderrohr; Tube de cylindre                              | 1   | 165179-550 |      |
| 03  | Cylinder pipe<br>Cylinderrör; Zylinderrohr; Tube de cylindre                              | 1   | 165179-610 |      |
| 03  | Cylinder pipe<br>Cylinderrör; Zylinderrohr; Tube de cylindre                              | 1   | 165179-700 |      |
| 03  | Cylinder pipe<br>Cylinderrör; Zylinderrohr; Tube de cylindre                              | 1   | 165179-760 |      |
| 03  | Cylinder pipe<br>Cylinderrör; Zylinderrohr; Tube de cylindre                              | 1   | 165179-820 |      |
| 03  | Cylinder pipe<br>Cylinderrör; Zylinderrohr; Tube de cylindre                              | 1   | 165179-880 |      |
| 03  | Cylinder pipe<br>Cylinderrör; Zylinderrohr; Tube de cylindre                              | 1   | 165179-940 |      |
| 04  | Piston<br>Kolv; Kolben; Piston  | 1   | 157215     |      |
| 05  | Piston rod<br>Kolvstång; Kolbenstange; Tige de piston                                     | 1   | 165187-100 |      |
| 05  | Piston rod<br>Kolvstång; Kolbenstange; Tige de piston                                     | 1   | 165187-110 |      |
| 05  | Piston rod<br>Kolvstång; Kolbenstange; Tige de piston                                     | 1   | 165187-430 |      |
| 05  | Piston rod<br>Kolvstång; Kolbenstange; Tige de piston                                     | 1   | 165187-490 |      |
| 05  | Piston rod<br>Kolvstång; Kolbenstange; Tige de piston                                     | 1   | 165187-550 |      |
| 05  | Piston rod<br>Kolvstång; Kolbenstange; Tige de piston                                     | 1   | 165187-610 |      |
| 05  | Piston rod<br>Kolvstång; Kolbenstange; Tige de piston                                     | 1   | 165187-700 |      |
| 05  | Piston rod<br>Kolvstång; Kolbenstange; Tige de piston                                     | 1   | 165187-760 |      |
| 05  | Piston rod<br>Kolvstång; Kolbenstange; Tige de piston                                     | 1   | 165187-820 |      |
| 05  | Piston rod<br>Kolvstång; Kolbenstange; Tige de piston                                     | 1   | 165187-880 |      |
| 05  | Piston rod<br>Kolvstång; Kolbenstange; Tige de piston                                     | 1   | 165187-940 |      |
| 11  | Guide<br>Styrning; Steuerung; Guidage   | 1   | 146124     |      |
| 12  | Hose break valve<br>Slangbrottsventil; Schlauchbruchventil; Valve de gonflement (rupture) | 1   | 29691      |      |
| 13  | Bracket<br>Fäste; Halterung; Support  | 1   | 139559     |      |
| 14  | Screw<br>Skruv; Schraube; Vis   | 2   | 20044      |      |
| 15  | Washer<br>Bricka; Scheibe; Rondelle   | 2   | 20348      |      |
| 16  | Air bleeder<br>Luftventil; Luftnippel; Soupape ( air )                                    | 1   | 24325      |      |
| 17  | Washer<br>Bricka; Scheibe; Rondelle   | 2   | 20404      |      |
| 18  | Screw<br>Skruv; Schraube; Vis   | 2   | 20578      |      |

## 7120-121 Main lift chain system

[2001-03-29]

Huvudlyftkedjesystem; Haupthubkettensystem; Système de chaîne de levage mât principal

|     |   | 488 VR C |            | 362913 - |  |
|-----|---|----------|------------|----------|--|
| Pos | Description   | Pcs      | Part No    | Note     |  |
| 11  | Chain wheel(Complete)<br>Kedjehjul(Komplett); Kettenrad(Komplett); Roue de chaine(Complett) | 2        | 176012     |          |  |
| 17  | Axle<br>Axel; Achse; Axe  | 2        | 137853     |          |  |
| 18  | Washer<br>Bricka; Scheibe; Rondelle   | 2        | 20236      |          |  |
| 19  | Screw<br>Skruv; Schraube; Vis   | 2        | 23006      |          |  |
| 20  | Chain complete<br>Kedja komplett; Ketten komplett ; Chaine complete                         | 2        | 139572-100 |          |  |
| 20  | Chain complete<br>Kedja komplett; Ketten komplett ; Chaine complete                         | 2        | 139572-110 |          |  |
| 20  | Chain complete<br>Kedja komplett; Ketten komplett ; Chaine complete                         | 2        | 139572-430 |          |  |
| 20  | Chain complete<br>Kedja komplett; Ketten komplett ; Chaine complete                         | 2        | 139572-490 |          |  |
| 20  | Chain complete<br>Kedja komplett; Ketten komplett ; Chaine complete                         | 2        | 139572-550 |          |  |
| 20  | Chain complete<br>Kedja komplett; Ketten komplett ; Chaine complete                         | 2        | 139572-610 |          |  |
| 20  | Chain complete<br>Kedja komplett; Ketten komplett ; Chaine complete                         | 2        | 139572-700 |          |  |
| 20  | Chain complete<br>Kedja komplett; Ketten komplett ; Chaine complete                         | 2        | 139572-760 |          |  |
| 20  | Chain complete<br>Kedja komplett; Ketten komplett ; Chaine complete                         | 2        | 139572-820 |          |  |
| 20  | Chain complete<br>Kedja komplett; Ketten komplett ; Chaine complete                         | 2        | 139572-880 |          |  |
| 20  | Chain complete<br>Kedja komplett; Ketten komplett ; Chaine complete                         | 2        | 139572-940 |          |  |
| 21  | Chain bolt<br>Kedjebult; Kettenbolzen; Tourillon de chaine                                  | 4        | 105381     |          |  |
| 22  | Chain bolt<br>Kedjebult; Kettenbolzen; Tourillon de chaine                                  | 4        | 105814     |          |  |
| 23  | Washer<br>Bricka; Scheibe; Rondelle   | 8        | 20404      |          |  |
| 24  | Cotter pin<br>Saxpinne; Gespalter stift; Goupille fendue                                    | 8        | 21445      |          |  |
| 26  | Washer<br>Bricka; Scheibe; Rondelle   | 2        | 21431      |          |  |
| 27  | Nut<br>Mutter; Mutter; Ecrou  | 4        | 20006      |          |  |
| 28  | Nut<br>Mutter; Mutter; Ecrou  | 4        | 20528      |          |  |
| 29  | Chain complete<br>Kedja komplett; Ketten komplett ; Chaine complete                         | 1        | 165180-100 |          |  |
| 29  | Chain complete<br>Kedja komplett; Ketten komplett ; Chaine complete                         | 1        | 165180-110 |          |  |
| 29  | Chain complete<br>Kedja komplett; Ketten komplett ; Chaine complete                         | 1        | 165180-430 |          |  |
| 29  | Chain complete<br>Kedja komplett; Ketten komplett ; Chaine complete                         | 1        | 165180-490 |          |  |
| 29  | Chain complete<br>Kedja komplett; Ketten komplett ; Chaine complete                         | 1        | 165180-550 |          |  |
| 29  | Chain complete<br>Kedja komplett; Ketten komplett ; Chaine complete                         | 1        | 165180-610 |          |  |
| 29  | Chain complete<br>Kedja komplett; Ketten komplett ; Chaine complete                         | 1        | 165180-700 |          |  |
| 29  | Chain complete<br>Kedja komplett; Ketten komplett ; Chaine complete                         | 1        | 165180-760 |          |  |
| 29  | Chain complete<br>Kedja komplett; Ketten komplett ; Chaine complete                         | 1        | 165180-820 |          |  |

## Quality Parts

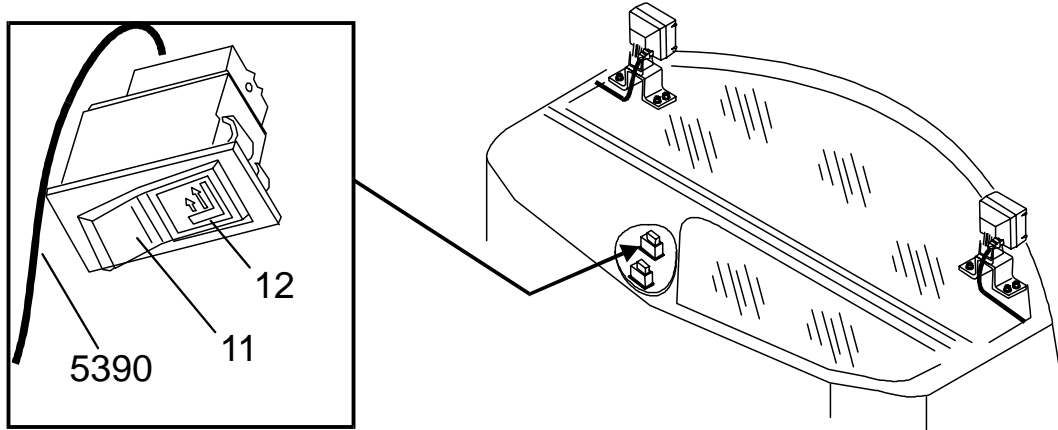
7410-037

| Pos | Description   | Pcs | Part No    | Note       |
|-----|---|-----|------------|------------|
| 11  | Fork(L = 1600 mm)<br>Gaffel; Gabel; Fourche   | 2   | 126706-160 | W = 125 mm |
| 12  | Clamp<br>Klamma; Rohrschelle; Collier   | 2   | 24398      |            |
| 13  | Locking pin<br>Spännstift; Spannstift; Goupille   | 2   | 20001      |            |
| 14  | Washer<br>Bricka; Scheibe; Rondelle   | 2   | 24497      |            |
| 15  | Spring<br>Fjäder; Feder; Ressort  | 2   | 24400      |            |
| 16  | Catch<br>Spärr; Sperre; Arret   | 2   | 24399      |            |
| 17  | Catch complete(Kit)<br>Spärr komplett(Sats); Sperre Komplet(satz); Arret complete(Jeux) | 2   | 24545      |            |



9300-025

P0012046

**9300-025 Extra electrical equipment**

[2000-04-17]

Extra elektrisk utrustning; Elektrische Zusatzausrüstung ; Equipement électrique supplémentaire

| Full / half movement, traversering; Hel / halvslag, traversering; Volls Schlag / halbschlag, Querschub; Pein-coup / demi-coup, translation |                                      | 488 VR C |            | 350720 - |  |
|--|--------------------------------------|----------|------------|----------|--|
| Pos  | Description                          | Pcs      | Part No    | Note     |  |
| 11   | Switch<br>Brytare; Schalter; Rupteur | 1        | 132571     |          |  |
| 12   | Sign<br>Skylt; Schild; Vignette      | 1        | 133414-028 |          |  |

**9420-025 Truck log device, code locking device**

[2001-03-21]

Truck logg utrustn., kodlås; Truck Log System, Codesperre; Système Optigest, verrouillage (blocage) code

| Pos  | Description  | Pcs | Part No    | Note   |
|--|--|-----|------------|--|
| <i>Truck log, EV16, cold store cabin; Truck log, EV16, fryshushytt; Truck log, EV16, Kabine für Gefrierhaus; Truck log, EV16, cabine pour chambre froide</i> |  |     | 488 VR C   | 401375 -   |
| 15   | EV16(Kit)<br>EV16(Sats); EV16(satz); EV16(Jeux)  | 1   | 179867     | Cold store cabin<br>Fryshushytt; Kabine für Gefrierhaus; Cabine fermée, chambre frigorifique |
| 23   | Keypad(With wiring harness)<br>Tangentbord(Med kablage); Tastatur(Mit Kabelsatz); Tablette à clefs(Avec Câblage) | 1   | 179343     |  |
| 25   | Keypad<br>Tangentbord; Tastatur; Tablette à clefs  | 1   | 179336     |  |
| 26   | Wiring harness<br>Kablage; Kabelsatz; Câblage  | 1   | 179344     |  |
| 31   | Wiring harness<br>Kablage; Kabelsatz; Câblage  | 1   | 178993     | Standard design<br>Standardutförande; Normalausrüstung                                       |
| 34   | Relay<br>Relä; Relais; Relais  | 1   | 179321-048 |  |
| 35   | Relay socket<br>Reläsocket; Relais Fassung; Support de relais  | 1   | 179322     |  |
| 36   | Fuse(3A 80V)<br>Säkring; Sicherung; Fusible  | 2   | 161640-030 |  |
| 37   | Fuse holder<br>Säkringshållare; Sicherungshalter; Porte-fusibles   | 2   | 135421     |  |
| 38   | Nit<br>Nit; Niet; Rivet  | 1   | 28959      |  |
| 39   | Bracket<br>Fäste; Halterung; Support   | 1   | 135422     |  |
| 40   | Screw<br>Skruv; Schraube; Vis  | 1   | 21438      |  |
| 41   | Washer<br>Bricka; Scheibe; Rondelle  | 1   | 21392      |  |
| 42   | Nut<br>Mutter; Mutter; Ecrou   | 1   | 20255      |  |
| 45   | Clamp<br>Klamma; Rohrschelle; Collier  | 5   | 20942      |  |
| 47   | Logic box<br>Logikbox; Steuerbox; Boite de lougique  | 1   | 179912     |  |
| 48   | Plate<br>Plåt; Platte; Plaque  | 1   | 178967     |  |
| 53   | Screw<br>Skruv; Schraube; Vis  | 4   | 20120      |  |
| 54   | Antenna<br>Antenn; Antenne; Antenne  | 1   | 179819     | Cold stores<br>Fryshus; Gefrieranlage; Chambre frigorifique                                  |
| 55   | Temperature regulator<br>Termostat; Thermostat; Régulateur de température  | 1   | 179775     | Cold stores<br>Fryshus; Gefrieranlage; Chambre frigorifique                                  |
| 56   | Hand terminal(Kit)<br>Handterminal(Sats); Handterminal(satz); Calculateur à main(Jeux)                           | 1   | 157382     |  |
| 57   | Cable<br>Kabel; Kabel; Câble   | 1   | 154830     |  |
| 58   | Cable<br>Kabel; Kabel; Câble   | 1   | 154829     |  |
| 59   | Hand terminal<br>Handterminal; Handterminal; Calculateur à main  | 1   | 154831     |  |
| 60   | Holster with adapter<br>Hölster med adapter; Halter mit adapter; Support avec bague                              | 1   | 155125     |  |
| 61   | Guide<br>Genomföring; Durcgführung; Guide  | 1   | 181985-009 | Cold stores<br>Fryshus; Gefrieranlage; Chambre frigorifique                                  |

CLICK HERE TO **DOWNLOAD** THE COMPLETE MANUAL

- Thank you very much for reading the preview of the manual.
- You can download the complete manual from: [www.heydownloads.com](http://www.heydownloads.com) by clicking the link below



- Please note: If there is no response to CLICKING the link, please download this PDF first and then click on it.

CLICK HERE TO **DOWNLOAD** THE COMPLETE MANUAL