

Quality Parts

RR B5 / B6 / E5 / E6 / (C) / 15 (AC) (ACi)

Valid for machine number..... 349249AA-

Only valid for machine number.....

Ordering number 175144

Date 1999-11-09 / ESDF

Language..... GB; SE; DE; FR



CLICK HERE TO **DOWNLOAD** THE COMPLETE MANUAL

- Thank you very much for reading the preview of the manual.
- You can download the complete manual from: www.heydownloads.com by clicking the link below



- Please note: If there is no response to CLICKING the link, please download this PDF first and then click on it.

CLICK HERE TO **DOWNLOAD** THE COMPLETE MANUAL

| | | |
|-----------------|---|--|
| 6370-004 | Mast hose reel/ swivel joint Stativslangvinda/ vippstycke; Schlauchtrommel, Schwenkkupplung Hubeinrichtung; Enrouleur/ joint tournant mât | Lift height < = 7000 mm |
| 6370-005 | Mast hose reel/ swivel joint Stativslangvinda/ vippstycke; Schlauchtrommel, Schwenkkupplung Hubeinrichtung; Enrouleur/ joint tournant mât | Lift height = 7500 mm - 9000 mm |
| 6610-017 | Main lift cylinders Huvudlyftcylindrar; Haupthubzylinder; Vérin de levage, principal | |
| 6620-008 | Free lift cylinder Frilyftscylinder; Freihubzylinder; Vérin de levée libre | |
| 6650-001 | Reach/telescopic cylinders Utskjut-/teleskopcylinder; Vorschub-/Teleskopzylinder; Vérin de rétraction/téléscopique | |
| 6660-002 | Tilt cylinders Tiltcylinder; Neigezylinder; Vérin d'inclinaison | With side shift |
| 6660-003 | Tilt cylinders Tiltcylinder; Neigezylinder; Vérin d'inclinaison | Without side shift |
| 6660-004 | Tilt cylinders Tiltcylinder; Neigezylinder; Vérin d'inclinaison | Tilt cylinder - Cabin ERGO-REX |
| 6670-002 | Other hydraulic cylinders Övriga hydraulcylindrar; Übrige hydraul. Zylinder; Autres vérins hydrauliques | Sideshift |

7000 Work function - lifting masts

Arbetsfunktion - lyftstativ; Arbeitsfunktion - Hubgerüste; Fonction de travail - mâts de levage

| | |
|-----------------|---|
| 7100-014 | Main mast Huvudstativ/-mast; Haupthubgerüst/-mast; Mât principal |
| 7120-064 | Main lift chain system Huvudlyftkedjesystem; Haupthubkettensystem; Système de chaîne de levage mât principal |
| 7130-012 | Main mast fork carriage Huvudstativokvagn; Gabel-/Aggregatträger Haupthubergüst; Tablier porte-fourches mât principal |
| 7130-018 | Main mast fork carriage Huvudstativokvagn; Gabel-/Aggregatträger Haupthubergüst; Tablier porte-fourches mât principal |
| 7150-001 | Main mast guidance/ dampers Huvudstativ-styrning/dämpning; Führungen/ Dämpfer Haupthubergüst; Guidage/amortissement mât principal |
| 7150-009 | Main mast guidance/ dampers Huvudstativ-styrning/dämpning; Führungen/ Dämpfer Haupthubergüst; Guidage/amortissement mât principal |
| 7190-014 | Main mast suspension Huvudstativinfästning; Befestigung Haupthubgerüst; Suspension mât principal |
| 7410-025 | Fork, carpet boom, lift hook Lyftgaffel/-pik/-krok; Hubgabel/-dorn/-haken; Fourche, éperon, crochet de levage |

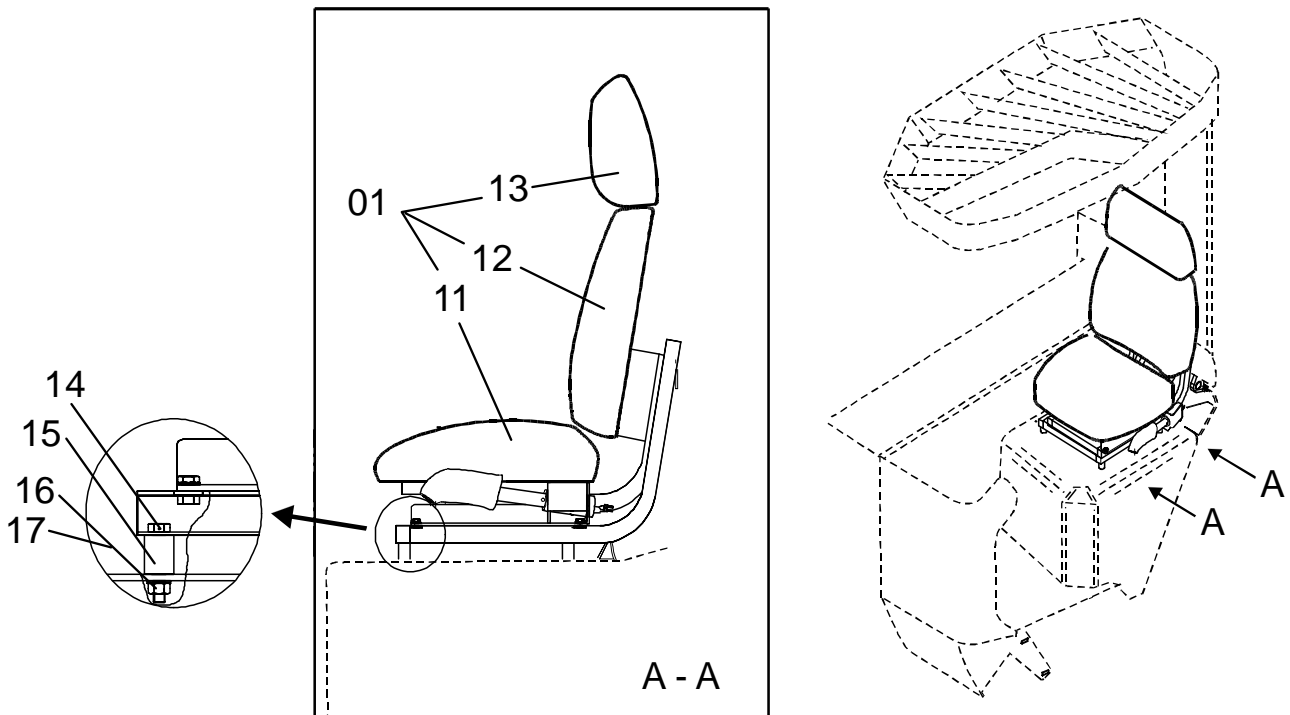
0390-019 Battery compartment parts

[1997-06-09]

Batteriutrymmesdelar; Batterieraumteile; Pièce de compartiment batterie

| | | | 405 RR B5-B6 | 301518 - |
|-----|---|-----|--------------|---|
| Pos | Description | Pcs | Part No | Note |
| 11 | Key(L = 263 mm, M = 47 mm) Kil; Keil; Clavette | 1 | 147969-010 | |
| 11 | Key(L = 411 mm, M = 47 mm) Kil; Keil; Clavette | 1 | 147969-030 | |
| 11 | Key(L = 263 mm, M = 44 mm) Kil; Keil; Clavette | 1 | 85245 | Roller bed Rullplan; Rollentisch; Train de rouleaux |
| 11 | Key(L = 411 mm, M = 44 mm) Kil; Keil; Clavette | 1 | 85257 | Roller bed Rullplan; Rollentisch; Train de rouleaux |
| 12 | Key(L = 263 mm, M = 47 mm) Kil; Keil; Clavette | 1 | 147970-010 | |
| 12 | Key(L = 411 mm, M = 47 mm) Kil; Keil; Clavette | 1 | 147970-030 | |
| 12 | Key(L = 263 mm, M = 44 mm) Kil; Keil; Clavette | 1 | 85244 | Roller bed Rullplan; Rollentisch; Train de rouleaux |
| 12 | Key(L = 411 mm, M = 44 mm) Kil; Keil; Clavette | 1 | 85256 | Roller bed Rullplan; Rollentisch; Train de rouleaux |
| 13 | Axle Axel; Achse; Axe | 2 | 105393 | |
| 14 | Screw Skruv; Schraube; Vis | 2 | 20259 | |
| 15 | Catch Spärr; Sperre; Arret | 1 | 141536 | |
| 16 | Bush Bussning; Bague; Bague | 1 | 44110 | |
| 17 | Screw(Stainless Steel) Skruv(Rostfri); Schraube(Nichtrostende); Vis(Inoxydable) | 1 | 126733 | Cold stores Fryshus; Gefrieranlage; Chambre frigorifique |
| 17 | Screw Skruv; Schraube; Vis | 1 | 65958 | |
| 18 | Spring(Stainless Steel) Fjäder(Rostfri); Feder(Nichtrostende); Ressort(Inoxydable) | 1 | 109909 | Cold stores Fryshus; Gefrieranlage; Chambre frigorifique |
| 18 | Spring Fjäder; Feder; Ressort | 1 | 53037 | |
| 19 | Screw Skruv; Schraube; Vis | 1 | 20599 | |
| 20 | Screw Skruv; Schraube; Vis | 1 | 21503 | |
| 21 | Nut Mutter; Mutter; Ecrou | 1 | 20249 | |
| 22 | Nut Mutter; Mutter; Ecrou | 1 | 20148 | |
| 23 | Plate(N = 58 mm) Plåt; Platte; Plaque | 1 | 146355 | RR B5 |
| 23 | Plate(N = 126 mm) Plåt; Platte; Plaque | 1 | 147307 | |
| 23 | Plate(N = 196 mm) Plåt; Platte; Plaque | 1 | 147308 | RR B8 |
| 24 | Roller(Complete) Rulle(Komplett); Rolle(Komplett); Roleau(Complet) | 4 | 85246-286 | K = 277 mm |
| 24 | Roller(Complete) Rulle(Komplett); Rolle(Komplett); Roleau(Complet) | 4 | 85246-355 | K = 346 mm |
| 24 | Roller(Complete) Rulle(Komplett); Rolle(Komplett); Roleau(Complet) | 4 | 85246-429 | K = 420 mm |
| 24 | Roller(Complete) Rulle(Komplett); Rolle(Komplett); Roleau(Complet) | 4 | 85246-440 | K = 431 mm |
| 24 | Roller(Complete) Rulle(Komplett); Rolle(Komplett); Roleau(Complet) | 4 | 85246-500 | K = 491 mm |

0620-004



0620-004 Seat, cushions

[1996-11-21]

Förarstol, dynor; Fahrersitz, Kissen; Siège, coussins de siège/dossier

| Cabin tilt ERGO - REX; Hytttilt ERGO - REX; Umklappbar Kabinen ERGO - REX; Cabine oscillant ERGO - REX | | 411 RR E5-E6 | | 301518 - |
|--|---|--------------|------------|----------|
| Pos | Description | Pcs | Part No | Note |
| 01 | Seat with spring system cpl. Stol fjädrande kpl.; Sitz mit Federung Kpl.; Siège avec suspension à ressort cpl. | 1 | 137582-001 | |
| 01 | Seat with spring system cpl.(Heated 48V) Stol fjädrande kpl.(El-uppvärmd 48V); Sitz mit Federung Kpl.(Erwärmung 48V); Siège avec suspension à ressort cpl.(Chauffage él 48V) | 1 | 137582-002 | |
| 11 | Seat cushion Sitt dyna; Sitzkissen; Siège | 1 | 138194 | |
| 11 | Seat cushion(Heated 48V) Sitt dyna(El-uppvärmd 48V); Sitzkissen(Erwärmung 48V); Siège(Chauffage él 48V) | 1 | 150439 | |
| 12 | Back rest Ryggdyna; Rückenlehne; Dossier | 1 | 138196 | |
| 12 | Back rest(Heated 48V) Ryggdyna(El-uppvärmd 48V); Rückenlehne(Erwärmung 48V); Dossier(Chauffage él 48V) | 1 | 150438 | |
| 13 | Head rest Nackstöd; Nackenstütze; Couvre-naque | 1 | 138197 | |
| 14 | Screw Skruv; Schraube; Vis | 4 | 21159 | |
| 15 | Distance piece Distans; Distanz; Distance | 4 | 146334 | |
| 16 | Washer Bricka; Scheibe; Rondelle | 4 | 22553 | |
| 17 | Nut Mutter; Mutter; Ecrou | 4 | 20016 | |

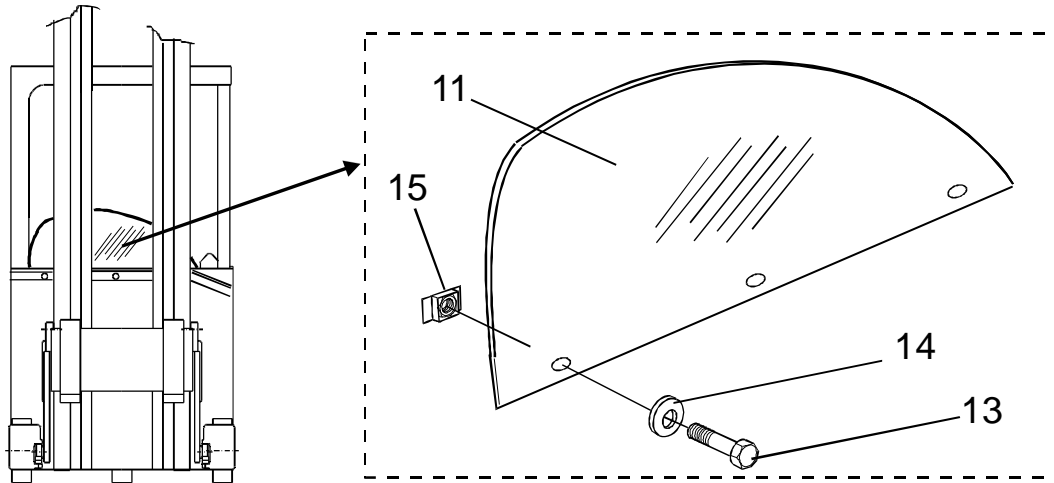
0640-033 Driver controls (mechanical)

[1998-05-14]

Förarrreglage (mekaniskt); Bedienungselemente (mech.); Commandes (mécaniques)

| With travel direction switch; Med färdväljare; Mit Richtungsschalter; Avec micro de direction | | 405 RR B5-B6 411 RR E5-E6 | 301518 - 301518 - | |
|---|---|------------------------------|----------------------|------|
| Pos | Description | Pcs | Part No | Note |
| 11 | Pedal unit compl. Pedalställ kompl.; Pedalsatz Kompl.; Unité de pédale compl. | 1 | 186099 | |
| 12 | Axle Axel; Achse; Axe | 1 | 185532 | |
| 13 | Bush Bussning; Bague; Bague | 1 | 185747 | |
| 14 | Washer Bricka; Scheibe; Rondelle | 1 | 20404 | |
| 15 | Spring Fjäder; Feder; Ressort | 1 | 185706 | |
| 16 | Clip nut(Including axle) Låsclips(Med axel); Schlitzmutter(Mit Achse); Tôle de ecrou(Avec axe) | 1 | 185704 | |
| 17 | Bracket Fäste; Halterung; Support | 1 | 185703 | |
| 18 | Spring Fjäder; Feder; Ressort | 1 | 29791 | |
| 19 | Pedal Pedal; Pedal; Pédale | 1 | 186100 | |
| 20 | Pedal rubber Pedalgummi; Pedalgummi; Caoutchouc de pedale | 1 | 53201 | |
| 23 | Axle Axel; Achse; Axe | 1 | 185722 | |
| 24 | Bush Bussning; Bague; Bague | 4 | 185700 | |
| 25 | Washer Bricka; Scheibe; Rondelle | 2 | 20348 | |
| 26 | Nut Mutter; Mutter; Ecrou | 2 | 20045 | |
| 27 | Nut Mutter; Mutter; Ecrou | 1 | 20235 | |
| 28 | Consol Konsol; Konsole; Console | 1 | 185713 | |
| 29 | Axle Axel; Achse; Axe | 1 | 185724 | |
| 30 | Link Länk; Gelenk; Bras | 2 | 185698 | |
| 31 | Nut Mutter; Mutter; Ecrou | 3 | 21094 | |
| 32 | Arm Arm; Arm; Bras | 2 | 185728 | |
| 33 | Locking pin Spännstift; Spannstift; Goupille | 2 | 20049 | |
| 34 | Nut Mutter; Mutter; Ecrou | 4 | 25699 | |
| 35 | Washer Bricka; Scheibe; Rondelle | 8 | 21035 | |
| 36 | Support Stöd; Stütze; Appui | 2 | 185925 | |
| 37 | Screw Skruv; Schraube; Vis | 4 | 27872 | |
| 38 | Potentiometer Potentiometer; Potentiometer; Potentiometre | 2 | 156276 | |
| 39 | Axle Axel; Achse; Axe | 2 | 185723 | |
| 40 | Screw Skruv; Schraube; Vis | 4 | 28511 | |
| 41 | Pedal(Complete) Pedal(Komplett); Pedal(Komplett); Pédale(Complet) | 1 | 186097 | |
| 42 | Consol Konsol; Konsole; Console | 1 | 186096 | |

0820-010



0820-010 Finger/foot guards

[1996-12-20]

Finger-/fotskydd; Finger-/ Fusschutz; Protection de doigts/pieds anti-écrasement

| | | 405 RR B5-B6 | | 301518 - | |
|-----|---|--------------|---------|----------|--|
| Pos | Description | Pcs | Part No | Note | |
| 11 | Finger cover Fingerskydd; Fingerschutz; Protège main | 1 | 145274 | | |
| 13 | Screw Skruv; Schraube; Vis | 3 | 20351 | | |
| 14 | Washer Bricka; Scheibe; Rondelle | 3 | 42993 | | |
| 15 | Nut Mutter; Mutter; Ecrou | 3 | 28930 | | |

1710-007 Electric pump motor

[1999-02-09]

Elektrisk pumpmotor; Elektro-Pumpenmotor; Moteur de pompe électrique

| | | 405 RR B5-B6 411 RR E5-E6 | | 336097 - 336097 - | |
|-----|--|------------------------------|------------|----------------------|--|
| Pos | Description | Pcs | Part No | Note | |
| 01 | Motor(Complete) Motor(Komplett); Motor(Komplett); Moteur(Complet) | 1 | 170433-150 | | |
| 11 | Screw Skruv; Schraube; Vis | 3 | 20050 | | |
| 12 | Protection Skydd; Schutz; Protègee | 1 | 170432 | | |
| 13 | Shield Sköld; Schild; Bouclier | 1 | 170425 | | |
| 14 | Screw Skruv; Schraube; Vis | 4 | 160913-305 | | |
| 15 | Washer Bricka; Scheibe; Rondelle | 1 | 170566 | | |
| 16 | Ball bearing Kullager; Kugellager; Roulement a billes | 1 | 160918 | | |
| 17 | Stator Stator; Ständer; Stator | 1 | 160916-150 | | |
| 18 | Contact housing Kontaktus; Kontaktvorrichtung; Engrenage de mise en action | 1 | 159221-002 | | |
| 19 | Plug Stift; Stift; Fiche | 2 | 159223-002 | | |
| 20 | Sealing Tätning; Dichtung; Joint | 2 | 159224-002 | | |
| 21 | Bracket Fäste; Halterung; Support | 1 | 170383 | | |
| 22 | Bracket Fäste; Halterung; Support | 1 | 170430 | | |
| 23 | Rotor Rotor; Rotor; Rotor | 1 | 170427 | | |
| 24 | Cap Lock; Deckel; Couvercle | 1 | 170429 | | |
| 25 | Bearing Lager; Lager; Roulement | 1 | 28887 | | |
| 26 | Stay ring Stödring; Stutzring; Anneau de support | 1 | 161035 | | |
| 27 | Locking ring Spärring; Schliessring; Circlip | 3 | 20008 | | |
| 28 | Shield Sköld; Schild; Bouclier | 1 | 170426 | | |
| 29 | Sealing Tätning; Dichtung; Joint | 1 | 161658 | | |
| 30 | Nut Mutter; Mutter; Ecrou | 4 | 20433 | | |
| 31 | Screw Skruv; Schraube; Vis | 3 | 170435 | | |
| 32 | Washer Bricka; Scheibe; Rondelle | 3 | 20375 | | |
| 33 | Nut Mutter; Mutter; Ecrou | 3 | 20081 | | |
| 34 | Washer Bricka; Scheibe; Rondelle | 3 | 22528 | | |
| 35 | Terminal board Uttagsplint; Klemmbrett; Borne | 1 | 170373 | | |
| 36 | Screw Skruv; Schraube; Vis | 2 | 161038 | | |
| 37 | Sensor(Temperature) Givare(Temperatur); Geber(Temperatur); Capteur(Température) | 1 | 170384 | | |

2550-025 Mechanical drive gear unit

[1999-10-06]

Drivaggregat/-växel; Antriebsaggregat/-getriebe; Groupe de traction, réducteur

| Pos | Description | Pcs | Part No | Note |
|-----|--|-----|------------------------------|----------------------|
| | | | 405 RR B5-B6 411 RR E5-E6 | 336097 - 336097 - |
| 01 | Driving gear compl. Drivväxel kompl.; Antriebsatz kompl.; Groupe de entraînement compl. | 1 | 171464 | |
| 11 | Screw Skruv; Schraube; Vis | 2 | 26327 | |
| 12 | Washer Bricka; Scheibe; Rondelle | 1 | 27213 | |
| 13 | Screw Skruv; Schraube; Vis | 1 | 27212 | |
| 14 | Screw Skruv; Schraube; Vis | 6 | 20078 | |
| 16 | Screw Skruv; Schraube; Vis | 8 | 23932 | |
| 17 | Screw Skruv; Schraube; Vis | 2 | 28344 | |
| 18 | Gear wheel Kugghjul; Zahnrad; Roue dentée | 1 | 150898 | |
| 19 | Spare part kit : Bevel gear Reservdelssats : Koniskt kugghjul; Satz : Kegelfrad; Jeux : Roue conique à denture droite | 1 | 150869 | |
| 20 | Protection Skydd; Schutz; Protègee | 1 | 150880 | |
| 21 | Screw Skruv; Schraube; Vis | 7 | 150881 | |
| 22 | Axle Axel; Achse; Axe | 1 | 150868 | |
| 23 | Sealing Tätning; Dichtung; Joint | 1 | 29888 | |
| 24 | Shim(0,05 mm) Shims; Schim; Cale | | 150885-001 | |
| 24 | Shim(0,1mm) Shims; Schim; Cale | | 150885-002 | |
| 24 | Shim(0,2 mm) Shims; Schim; Cale | | 150885-003 | |
| 24 | Shim(0,3 mm) Shims; Schim; Cale | | 150885-004 | |
| 24 | Shim(0,5 mm) Shims; Schim; Cale | | 150885-005 | |
| 25 | Roller bearing Rullager; Rollenlager; Palier à rouleaux | 1 | 29864 | |
| 26 | Shim(0,05 mm) Shims; Schim; Cale | | 150884-001 | |
| 26 | Shim(0,1mm) Shims; Schim; Cale | | 150884-002 | |
| 26 | Shim(0,2 mm) Shims; Schim; Cale | | 150884-003 | |
| 26 | Shim(0,3 mm) Shims; Schim; Cale | | 150884-004 | |
| 26 | Shim(0,5 mm) Shims; Schim; Cale | | 150884-005 | |
| 27 | Roller bearing Rullager; Rollenlager; Palier à rouleaux | 1 | 29865 | |
| 28 | O-ring O-ring; O-ring; Joint torique | 1 | 29886 | |
| 29 | Washer Bricka; Scheibe; Rondelle | 1 | 150900 | |
| 30 | Nut Mutter; Mutter; Ecrou | 1 | 139714 | |
| 31 | Cap Lock; Deckel; Couvercle | 1 | 150875 | |
| 32 | Roller bearing Rullager; Rollenlager; Palier à rouleaux | 1 | 20624 | |

4310-002 Electric steering wheel/lever

[1999-02-23]

Elektr. ratt/-spakstyrning; Elektro-lenkrad/-hebellenkung; Timon, volant, levier de direction

| Pos | Description | Pcs | Part No | Note |
|-----|--|-----|------------------------------|--|
| | | | 405 RR B5-B6 411 RR E5-E6 | 336097 - 336097 - |
| 11 | Panel Panel; Paneel; Panneau | 1 | 143228 | |
| 12 | Panel Panel; Paneel; Panneau | 1 | 143229 | |
| 13 | Screw Skruv; Schraube; Vis | 1 | 28334 | |
| 14 | Washer Bricka; Scheibe; Rondelle | 1 | 21394 | |
| 15 | Nut Mutter; Mutter; Ecrou | 1 | 20096 | |
| 16 | Washer Bricka; Scheibe; Rondelle | 1 | 135459 | |
| 17 | Nut Mutter; Mutter; Ecrou | 1 | 20016 | |
| 18 | Washer Bricka; Scheibe; Rondelle | 1 | 20404 | |
| 19 | Spinner Spinnare; Lenkfleier; Poignée volant | 1 | 141840 | |
| 20 | Steering wheel(D = 110 mm) Ratt; Lenkrad; Volant | 1 | 135457 | Standard design Standardutförande; Normalausrüstung |
| 20 | Steering wheel(D = 200 mm) Ratt; Lenkrad; Volant | 1 | 143285 | |
| 21 | Locking ring Spårring; Schliessring; Circlip | 1 | 20009 | |
| 22 | O-ring O-ring; O-ring; Joint torique | 1 | 20620 | Cold stores Fryshus; Gefrieranlage; Chambre frigorifique |
| 23 | Ball bearing Kullager; Kugellager; Roulement a billes | 1 | 28300 | |
| 23 | Ball bearing Kullager; Kugellager; Roulement a billes | 1 | 29878 | |
| 24 | Bearing bracket Lagerhållare; Lagerhalten; Support de roulement | 1 | 135461 | |
| 25 | Locking ring Spårring; Schliessring; Circlip | 1 | 20008 | |
| 26 | Screw Skruv; Schraube; Vis | 4 | 29815 | |
| 27 | Motor Motor; Motor; Moteur | 1 | 145287 | |
| 28 | Screw Skruv; Schraube; Vis | 1 | 29679 | |
| 29 | Washer Bricka; Scheibe; Rondelle | 1 | 20404 | |
| 30 | Lever Spak; Hebel; Levier | 1 | 142422-008 | |
| 31 | Consol Konsol; Konsole; Console | 1 | 147319 | |
| 32 | Arm Arm; Arm; Bras | 1 | 142410 | |
| 33 | Lever Spak; Hebel; Levier | 1 | 140808-002 | |
| 34 | Bracket Fäste; Halterung; Support | 1 | 143221 | |
| 34 | Bracket Fäste; Halterung; Support | 1 | 148941 | Cabin tilt ERGO - REX Hytttilt ERGO - REX; Umklappbar Kabinen ERGO - REX; Cabine oscillant ERGO - REX |
| 35 | Bush Bussning; Bague; Bague | 2 | 138886 | |
| 36 | Locking ring Spårring; Schliessring; Circlip | 1 | 20041 | |

5280-017 Level/position transducers/lamps

[1998-01-21]

Nivå-/lägesmätare/-lampa; Niveau- /Positions-/-geber/-lampe; Capteur/lampes témoins de niveau/
position

| Altimetry; Höjdindikering; Höhenmessung; Altimètre | | 405 RR B5-B6 411 RR E5-E6 | 301518 - 301518 - | |
|--|---|------------------------------|----------------------|-----------|
| Pos | Description | Pcs | Part No | Note |
| 11 | Altimeter(Complete) Höjdmätare(Komplett); Altimeter(Komplett); Altimètre(Complet) | 1 | 155776 | |
| 12 | Bracket Fäste; Halterung; Support | 1 | 155674 | |
| 13 | Cap Lock; Deckel; Couvercle | 1 | 152469 | |
| 14 | Roller Rulle; Rolle; Roleau | 1 | 152467 | |
| 15 | Housing Lagerhus; Gehäuse; Carter de roulement | 1 | 155762 | |
| 16 | Bearing Lager; Lager; Roulement | 1 | 160436-001 | |
| 17 | Screw Skruv; Schraube; Vis | 3 | 20871 | |
| 18 | Nut Mutter; Mutter; Ecrou | 3 | 20433 | |
| 19 | Cable lock Wirelås; Seilschloss; Blocage de tige | 2 | 143384 | |
| 21 | Bracket Fäste; Halterung; Support | 1 | 151047 | L = 70 mm |
| 21 | Bracket Fäste; Halterung; Support | 1 | 151936 | L = 56 mm |
| 22 | Screw Skruv; Schraube; Vis | 2 | 20230 | |
| 24 | Nut Mutter; Mutter; Ecrou | 2 | 20235 | |
| 25 | Screw(Loop) Skruv(Ögla); Schraube(Öhr); Vis(Boucle) | 1 | 137720 | |
| 26 | Bracket Fäste; Halterung; Support | 1 | 137648 | |
| 27 | Screw Skruv; Schraube; Vis | 4 | 20078 | |
| 28 | Washer Bricka; Scheibe; Rondelle | 4 | 20404 | |
| 29 | Plate Plåt; Platte; Plaque | 1 | 138163 | |
| 30 | Screw Skruv; Schraube; Vis | 2 | 28341 | |
| 31 | Nut Mutter; Mutter; Ecrou | 2 | 20257 | |
| 32 | Switch Brytare; Schalter; Rupteur | 1 | 138127 | |
| 33 | Fitting Förskruvning; Verschraubung; Presse-étoupe | 1 | 27659 | |
| 36 | Wire(Meter) Wire(Meter); Drahtseil(Meter); Filament(Metre) | | 137718-002 | |
| 37 | Switch Brytare; Schalter; Rupteur | 1 | 132572 | |
| 38 | Sign Skylt; Schild; Vignette | 1 | 133414-015 | |
| 39 | Indicator(Lift height) Indikator(Lyfthöjd); Ansager(Hubhöhe); Indicateur(De élévation) | 1 | 144789-002 | |
| 40 | Indicator(Lift height) Indikator(Lyfthöjd); Ansager(Hubhöhe); Indicateur(De élévation) | 1 | 144790-003 | |
| 41 | Nut Mutter; Mutter; Ecrou | 2 | 20255 | |
| 42 | Washer Bricka; Scheibe; Rondelle | 2 | 22417 | |
| 43 | Locking ring Spårring; Schliessring; Circlip | 1 | 20019 | |

CLICK HERE TO **DOWNLOAD** THE COMPLETE MANUAL

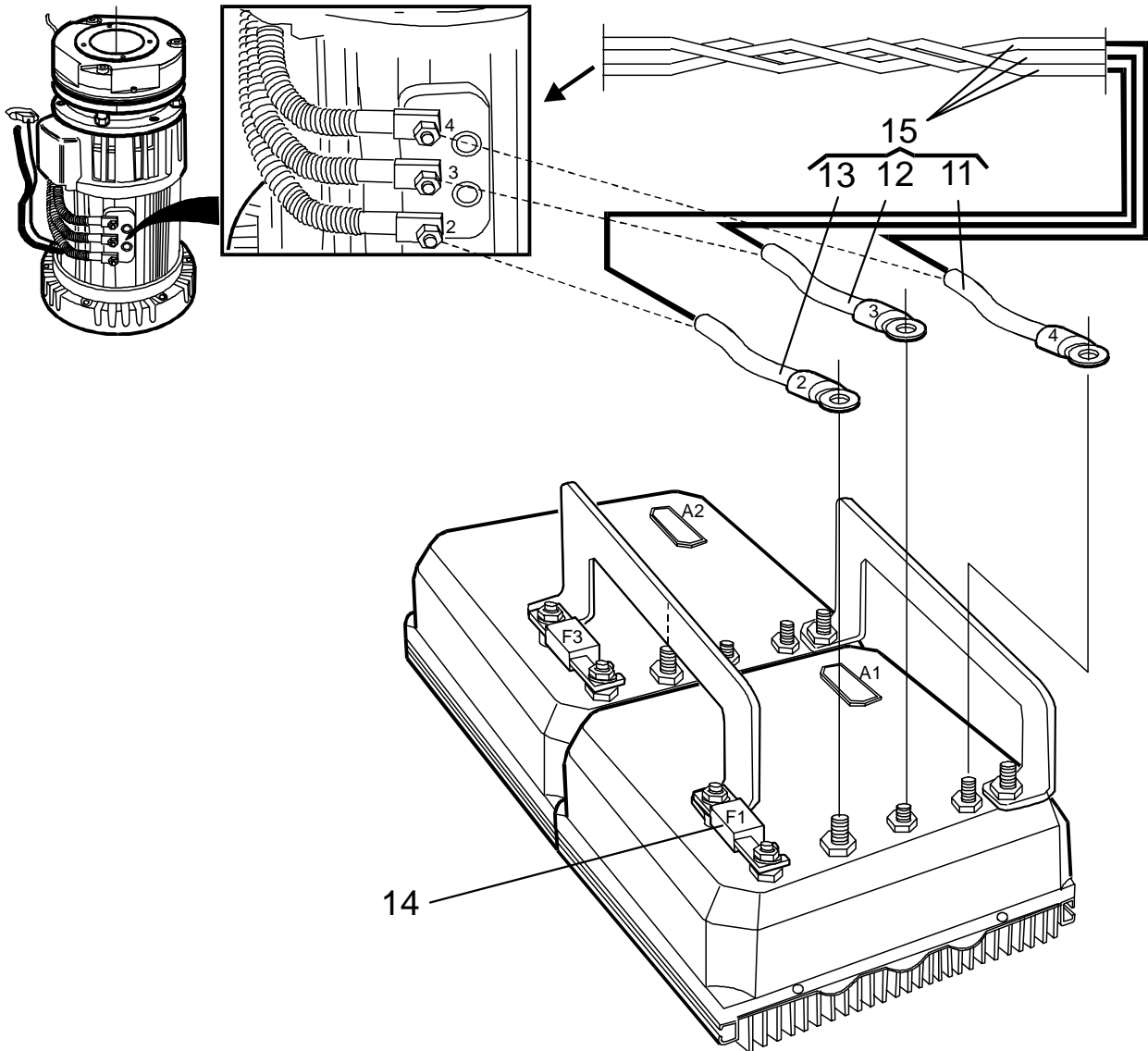
- Thank you very much for reading the preview of the manual.
- You can download the complete manual from: www.heydownloads.com by clicking the link below



- Please note: If there is no response to CLICKING the link, please download this PDF first and then click on it.

CLICK HERE TO **DOWNLOAD** THE COMPLETE MANUAL

5430-063



5430-063 Drive motor cables/resistors/fuses

[1999-11-03]

Drivmotorkablar/-motstånd/-säkring; Fahrmotorkabel/-widerstand/-sicherung; Câbles/résistances/fusible moteur de traction

| Pos | Description | Pcs | Part No | Note |
|-----|--|-----|---------|---------------|
| 11 | Cable(4) Kabel; Kabel; Câble | 1 | 174145 | |
| 12 | Cable(3) Kabel; Kabel; Câble | 1 | 174144 | |
| 13 | Cable(2) Kabel; Kabel; Câble | 1 | 174143 | |
| 14 | Fuse(160 A) Säkring; Sicherung; Fusible | 1 | 29223 | |
| 15 | Cable(Complete) Kabel(Komplett); Kabel(Komplett); Câble(Comple) | 1 | 174149 | Pos. 11+12+13 |

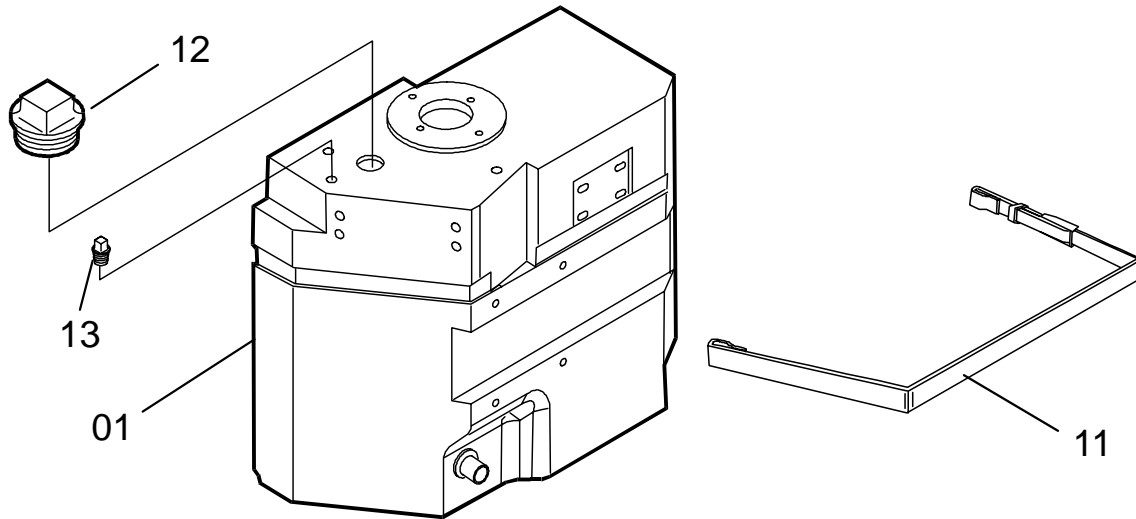
5680-051 Battery/motor cables, fuse

[1999-11-03]

Batteri-/motorkablar, säkring; Batterie-/Motor kabel, Sicherung; Câbles de batterie/moteur, fusible

| Pos | Description | Pcs | Part No | Note |
|-----|---|-----|------------------------------|----------------------|
| | | | 405 RR B5-B6 411 RR E5-E6 | 349249 - 349249 - |
| 11 | Connector with cable complete Handske med kabel komplett; Stromstecker mit Kabel komplett.; Connexion fiche avec câble complete. | 1 | 156039 | |
| 12 | Connector Handske; Stecker; Bloc de connexion | 1 | 130073 | |
| 13 | Cable(+) Kabel; Kabel; Câble | 1 | 156040 | |
| 14 | Cable(-) Kabel; Kabel; Câble | 1 | 156041 | |
| 15 | Nut Mutter; Mutter; Ecrou | 3 | 164258 | |
| 16 | Washer Bricka; Scheibe; Rondelle | 2 | 20375 | |
| 17 | Nut Mutter; Mutter; Ecrou | 2 | 20433 | |
| 18 | Screw Skruv; Schraube; Vis | 2 | 20055 | |
| 19 | Screw Skruv; Schraube; Vis | 3 | 21708 | |
| 20 | Connector with cable complete Handske med kabel komplett; Stromstecker mit Kabel komplett.; Connexion fiche avec câble complete. | 1 | 152095 | |
| 21 | Connector Handske; Stecker; Bloc de connexion | 1 | 130073 | |
| 22 | Clamp Klamma; Rohrschelle; Collier | 2 | 29807 | |
| 23 | Handle Handtag; Handgriff; Poignée. | 1 | 25615 | |
| 24 | Hook Hake; Haken; Crochet | 1 | 150301 | |
| 25 | Clamp Klamma; Rohrschelle; Collier | 2 | 20942 | |
| 26 | Screw Skruv; Schraube; Vis | 2 | 20459 | |
| 27 | Clamp Klamma; Rohrschelle; Collier | 1 | 150585-001 | |
| 28 | Nut Mutter; Mutter; Ecrou | 2 | 20249 | |
| 29 | Clamp Klamma; Rohrschelle; Collier | 4 | 28937 | |
| 30 | Arm Arm; Arm; Bras | 1 | 147493 | |
| 31 | Screw Skruv; Schraube; Vis | 2 | 28511 | |
| 32 | Bracket Fäste; Halterung; Support | 2 | 147494 | |
| 33 | Screw Skruv; Schraube; Vis | 2 | 20044 | |
| 34 | Washer Bricka; Scheibe; Rondelle | 2 | 20348 | |
| 35 | Cable(8) Kabel; Kabel; Câble | 1 | 152090 | |
| 36 | Cable(7) Kabel; Kabel; Câble | 1 | 174218 | |
| 37 | Cable(6) Kabel; Kabel; Câble | 1 | 174217 | |
| 38 | Cable(5) Kabel; Kabel; Câble | 1 | 174478 | |
| 39 | Copper bar Kopparskena; Kupferstab; Plaque de cuivre | 2 | 165189-002 | |

6110-017



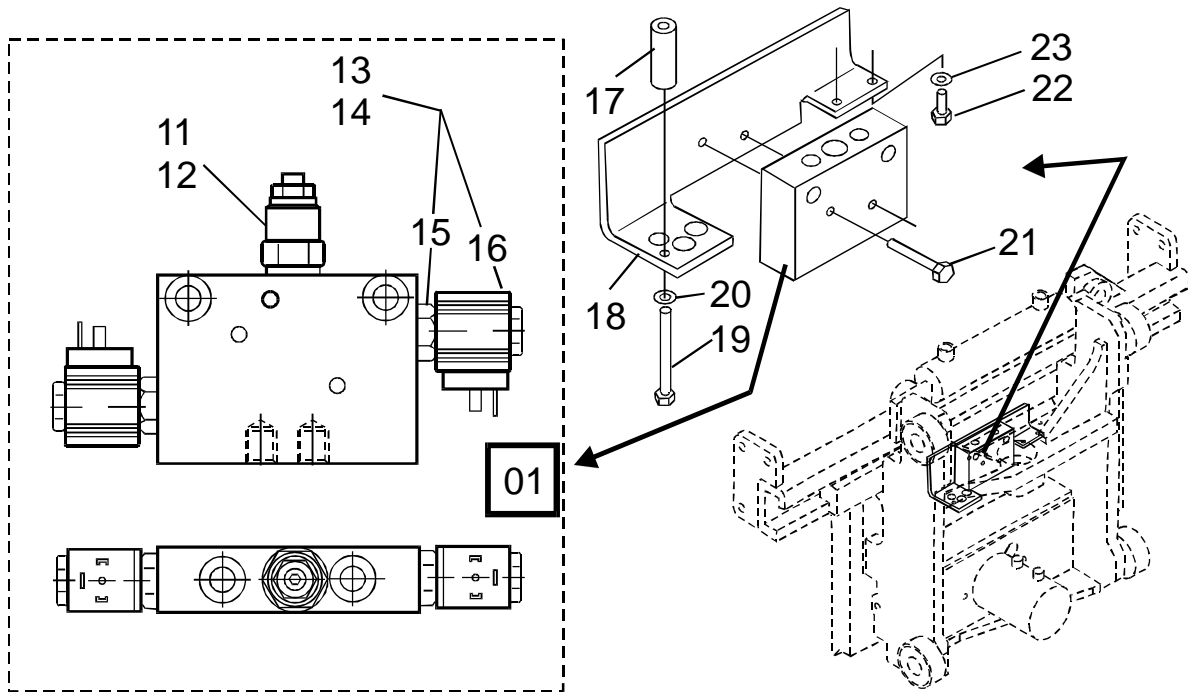
6110-017 Hydraulic tank

[1999-06-08]

Hydraultank; Hydrauliktank; Réservoir hydraulique

| Pos | Description | Pcs | Part No | Note |
|-----|---|-----|---------|------|
| 01 | Tank Tank; Behälter; Reservoir | 1 | 165314 | |
| 11 | Stropping Spännband; Spannband; Tirant | 1 | 142468 | |
| 12 | Plug Propp; Pfropfen; Bouchon | 1 | 165315 | |
| 13 | Plug Propp; Pfropfen; Bouchon | 1 | 20288 | |

6220-003



6220-003 Control valve (Other functions)

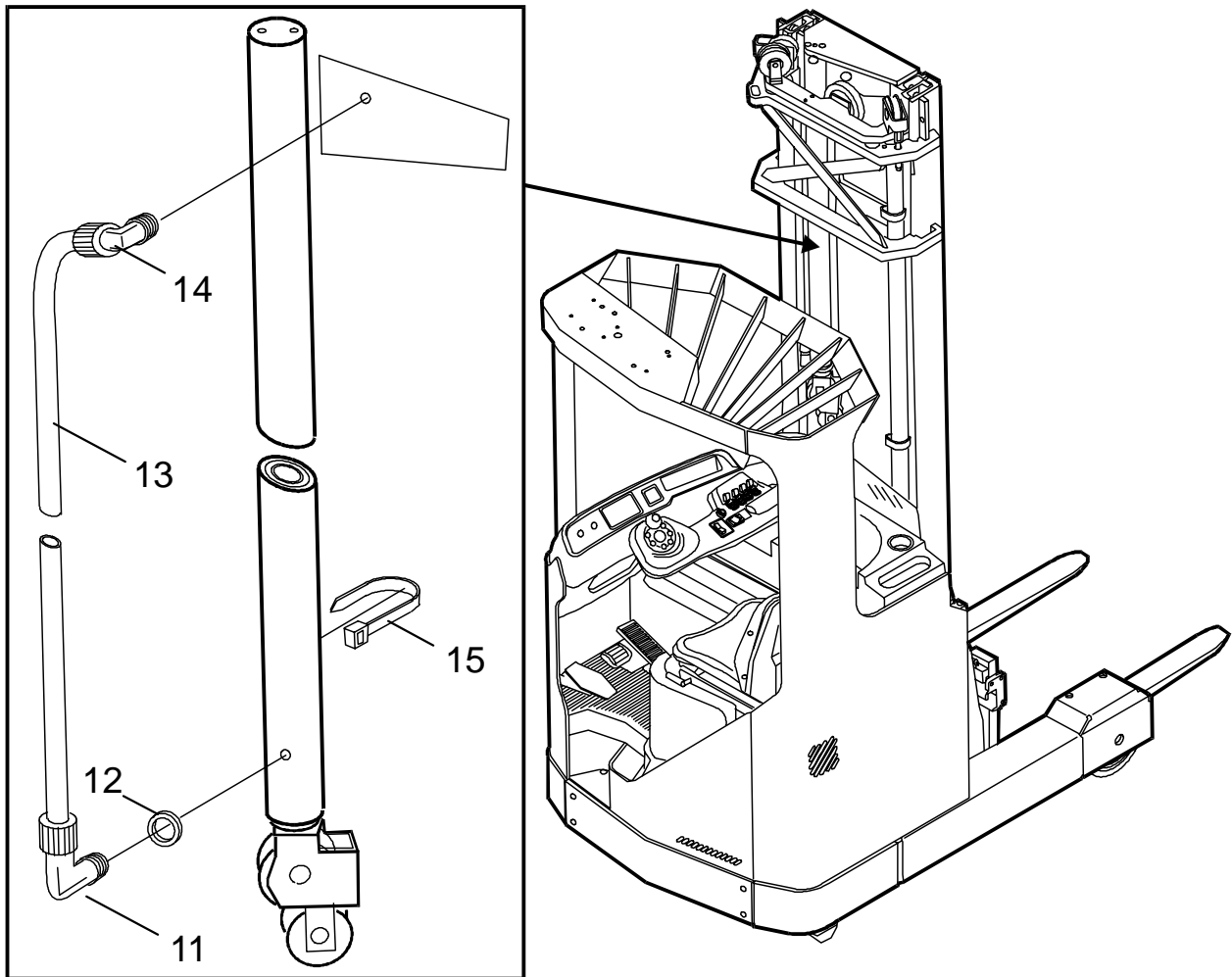
[1996-09-24]

Riktningventil (övriga funktioner); Wegeventil (Zusatzfunktionen); Soupape manuelle (Autres fonctions)

| Pos | Description | Pcs | Part No | Note |
|-----|---|-----|------------------------------|---|
| | | | 405 RR B5-B6 411 RR E5-E6 | 301518 - 301518 - |
| 01 | Valve(Complete) Ventil(Komplett); Ventil(Komplett); Soupape(Complet) | 1 | 152387 | With side shift Med sideshiftaggregat; Mit Seitenwechselgerät; Avec déplacement latéral |
| 01 | Valve(Complete) Ventil(Komplett); Ventil(Komplett); Soupape(Complet) | 1 | 154321 | Without side shift utan sideshiftaggregat; Ohne Seitenwechselgerät; Sans déplacement latéral |
| 11 | Valve Ventil; Ventil; Soupape | 1 | 152720 | |
| 12 | Packing set Packningssats; Packungssatz; Jeux d' étanchéité. | 1 | 154467 | |
| 13 | Valve Ventil; Ventil; Soupape | 2 | 146000 | With side shift Med sideshiftaggregat; Mit Seitenwechselgerät; Avec déplacement latéral |
| 14 | Packing set Packningssats; Packungssatz; Jeux d' étanchéité. | 2 | 146003 | With side shift Med sideshiftaggregat; Mit Seitenwechselgerät; Avec déplacement latéral |
| 15 | Valve Ventil; Ventil; Soupape | 2 | 145999 | With side shift Med sideshiftaggregat; Mit Seitenwechselgerät; Avec déplacement latéral |
| 16 | Coil Spole; Spule; Bobine | 2 | 146002 | With side shift Med sideshiftaggregat; Mit Seitenwechselgerät; Avec déplacement latéral |
| 17 | Distance piece Distans; Distanz; Distance | 1 | 151700 | |
| 18 | Bracket Fäste; Halterung; Support | 1 | 149040 | |
| 19 | Screw Skruv; Schraube; Vis | 1 | 20601 | |
| 20 | Washer Bricka; Scheibe; Rondelle | 1 | 21275 | |

| Pos | Description | Pcs | Part No | Note |
|-----|--|-----|------------|--|
| 11 | Hose(L = 3700 mm) Slang; Schlauch; Tuyau flexible | 2 | 146876-005 | 6300 mm < lift height < = 8000 mm 6300 mm < lyfthöjd < = 8000 mm; 6300 mm < Hubhöhe < = 8000 mm; 6300 mm < de élévation < = 8000 mm |
| 11 | Hose(L = 4200 mm) Slang; Schlauch; Tuyau flexible | 2 | 146876-006 | Lift height, over 8000 mm Lyfthöjd, över 8000 mm; Hubhöhe, über 8000 mm; De élévation, des-sus 8000 mm |
| 12 | Clamp Klamma; Rohrschelle; Collier | 1 | 145025 | |
| 13 | Bracket Fäste; Halterung; Support | 1 | 105423 | |
| 14 | Screw Skruv; Schraube; Vis | 2 | 21935 | |
| 15 | Washer Bricka; Scheibe; Rondelle | 2 | 21275 | |
| 16 | Axle Axel; Achse; Axe | 1 | 32975 | |
| 17 | Connection Koppling; Kupplung; Raccord | 2 | 28780 | |
| 18 | Clamp Klamma; Rohrschelle; Collier | 1 | 151940 | |
| 19 | Washer Bricka; Scheibe; Rondelle | 1 | 22474 | |
| 20 | Screw Skruv; Schraube; Vis | 1 | 20532 | |

6320-016



6320-016 Mast hydraulic lines

Stativhydraulledning; Hydraulikleitungen Hubeinrichtung; Circuits hydrauliques mât

[1999-03-02]

| Chain oiling; Kedjesmörjning; Kettenschmierung; Graissage, chaîne | | 405 RR B5-B6 | 336097 - | |
|---|---|--------------|----------|------|
| | | 411 RR E5-E6 | 336097 - | |
| Pos | Description | Pcs | Part No | Note |
| 11 | Connection Koppling; Kupplung; Raccord | 1 | 21994 | |
| 12 | Sealing Tätning; Dichtung; Joint | 1 | 29471 | |
| 13 | Hose(Meter) Slang(Meter); Schlauch(Meter); Tuyau flexible(Metre) | | 28108 | |
| 14 | Connection Koppling; Kupplung; Raccord | 1 | 21994 | |
| 15 | Clamp Klamma; Rohrschelle; Collier | 3 | 28192 | |

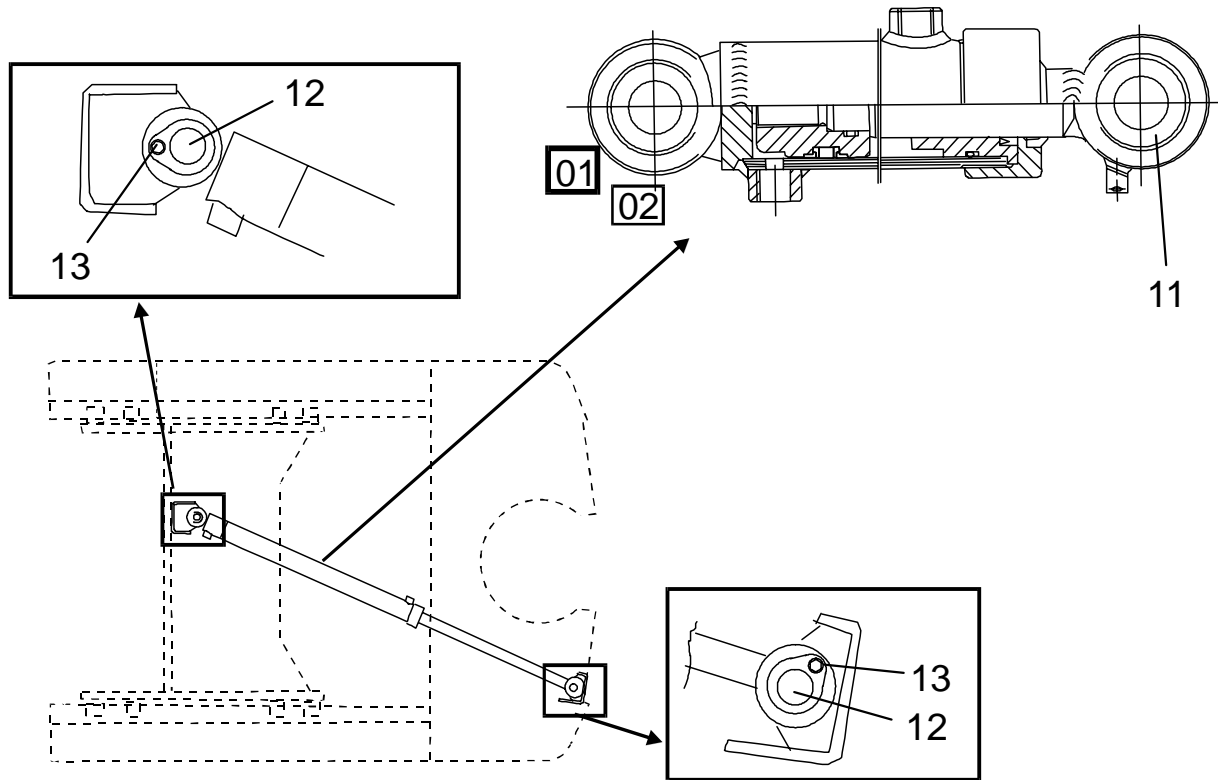
6370-005 Mast hose reel/ swivel joint

[1999-03-02]

Stativslangvinda/ vippstycke; Schlauchtrommel, Schwenkkupplung Hubeinrichtung; Enrouleur/ joint tournant mât

| Pos | Description | Pcs | Part No | Note |
|---|--|-----|------------------------------|--|
| <i>Lift height = 7500 mm - 9000 mm; Lyfthöjd = 7500 mm - 9000 mm; Hubhöhe = 7500 mm - 9000 mm; De élévation = 7500 mm - 9000 mm</i> | | | 405 RR B5-B6 411 RR E5-E6 | 336097 - 336097 - |
| 11 | Swivel Svivel; Wirbel; Emerillon | 1 | 21876 | 4-5 Functions, left 4-5 Funktioner, vänster; 4-5 Funktion, links; 4-5 Fonction, gauge |
| 12 | Screw Skruv; Schraube; Vis | 2 | 20184 | 4-5 Functions, left 4-5 Funktioner, vänster; 4-5 Funktion, links; 4-5 Fonction, gauge |
| 13 | Washer Bricka; Scheibe; Rondelle | 2 | 20404 | 4-5 Functions, left 4-5 Funktioner, vänster; 4-5 Funktion, links; 4-5 Fonction, gauge |
| 14 | Swivel Svivel; Wirbel; Emerillon | 1 | 21876 | 4-5 Functions, right 4-5 Funktioner, höger; 4-5 Funktion, recht; 4-5 Fonction, droit |
| 15 | Screw Skruv; Schraube; Vis | 2 | 20184 | 4-5 Functions, right 4-5 Funktioner, höger; 4-5 Funktion, recht; 4-5 Fonction, droit |
| 16 | Washer Bricka; Scheibe; Rondelle | 2 | 20404 | 4-5 Functions, right 4-5 Funktioner, höger; 4-5 Funktion, recht; 4-5 Fonction, droit |
| 17 | Bracket Fäste; Halterung; Support | 1 | 154436 | 4-5 Functions, right 4-5 Funktioner, höger; 4-5 Funktion, recht; 4-5 Fonction, droit |
| 18 | Screw Skruv; Schraube; Vis | 2 | 23924 | |
| 19 | Washer Bricka; Scheibe; Rondelle | 2 | 20348 | |
| 20 | Hose reel, complete Slangvinda, komplett; Schlauchrolle, Komplet; Roleau de tuyau flexible, complet | 1 | 142876 | 4 Sections, left 4 Sectioner, vänster; 4 Sectioner, links; 4 Sections, gauge |
| 21 | Hose reel Slangvinda; Schlauchrolle; Roleau de tuyau flexible | 1 | 139337-001 | 4-5 Functions, left 4-5 Funktioner, vänster; 4-5 Funktion, links; 4-5 Fonction, gauge |
| 22 | Screw Skruv; Schraube; Vis | 6 | 22337 | |
| 23 | Washer Bricka; Scheibe; Rondelle | 6 | 21393 | |
| 24 | Distance piece(Stainless Steel) Distans(Rostfri); Distanz(Nichtrostende); Distance(Inoxydable) | 1 | 109898 | |
| 25 | Roller Rulle; Rolle; Roleau | 1 | 72138 | |
| 26 | Spring Fjäder; Feder; Ressort | 1 | 147007 | |
| 27 | Hub Nav; Nabe; Moyeu | 1 | 142856 | |
| 28 | Packing set Packningssats; Packungssatz; Jeux d' étanchéité. | 1 | 132276 | |
| 29 | Hose(Double) Slang(Dubbel); Schlauch(Doppel); Tuyau flexible(Double) | 1 | 29648 | |
| 30 | Bracket Fäste; Halterung; Support | 1 | 130322 | |
| 31 | Screw Skruv; Schraube; Vis | 4 | 21935 | |
| 32 | Washer Bricka; Scheibe; Rondelle | 4 | 20404 | |
| 33 | Hose reel, complete Slangvinda, komplett; Schlauchrolle, Komplet; Roleau de tuyau flexible, complet | 1 | 142877 | 4 Sections, right 4 Sektioner, höger; 4 Sektion, recht; 4 Section, droit |
| 34 | Hose reel Slangvinda; Schlauchrolle; Roleau de tuyau flexible | 1 | 139337-002 | 4-5 Functions, right 4-5 Funktioner, höger; 4-5 Funktion, recht; 4-5 Fonction, droit |
| 35 | Connection Koppling; Kupplung; Raccord | 2 | 28859 | |

6650-001



6650-001 Reach/telescopic cylinders

[1999-02-23]

Utskjut-/teleskopcyylinder; Vorschub-/Teleskopzylinder; Vérin de rétraction/téléscopique

| Pos | Description | Pcs | Part No | Note |
|-----|---|-----|---------|------|
| 01 | Cylinder compl. Cylinder kompl.; Zylinder kompl.; Verin compl. | 1 | 141870 | |
| 02 | Packing set Packningssats; Packungssatz; Jeux d' étanchéité. | 1 | 146031 | |
| 11 | Bearing Lager; Lager; Roulement | 2 | 28198 | |
| 12 | Pin Tapp; Zapfen; Pivot | 2 | 167301 | |
| 13 | Screw Skruv; Schraube; Vis | 2 | 20050 | |

7120-064 Main lift chain system

[1999-03-24]

Huvudlyftkedjesystem; Haupthubkettensystem; Système de chaîne de levage mâit principal

| Pos | Description | Pcs | Part No | Note |
|-----|---|-----|------------------------------|----------------------|
| | | | 405 RR B5-B6 411 RR E5-E6 | 336097 - 336097 - |
| 11 | Chain wheel(Complete) Kedjehjul(Komplett); Kettenrad(Komplett); Roue de chaine(Comple)et | 1 | 158155 | |
| 12 | Locking ring Spårring; Schliessring; Circlip | 2 | 20076 | |
| 13 | Roller Rulle; Rolle; Roleau | 1 | 158156 | |
| 14 | Sealing ring Tåtningsring; Dichtungsring; Bague d'étanchéité | 2 | 20902 | |
| 15 | Bearing Lager; Lager; Roulement | 2 | 26937 | |
| 16 | Distance piece Distans; Distanz; Distance | 2 | 101237 | |
| 17 | Axle Axel; Achse; Axe | 1 | 101298 | |
| 18 | Screw Skruv; Schraube; Vis | 1 | 23006 | |
| 19 | Washer Bricka; Scheibe; Rondelle | 1 | 21307 | |
| 21 | Bracket Fäste; Halterung; Support | 1 | 151062 | |
| 22 | Screw Skruv; Schraube; Vis | 2 | 21935 | |
| 23 | Washer Bricka; Scheibe; Rondelle | 2 | 21275 | |
| 24 | Roller(Complete) Rulle(Komplett); Rolle(Komplett); Roleau(Comple)et | 1 | 151060 | |
| 25 | Washer Bricka; Scheibe; Rondelle | 1 | 129105 | |
| 26 | Locking ring Spårring; Schliessring; Circlip | 1 | 20019 | |
| 27 | Locking ring Spårring; Schliessring; Circlip | 2 | 20019 | |
| 28 | Washer Bricka; Scheibe; Rondelle | 2 | 47886 | |
| 29 | Roller Rulle; Rolle; Roleau | 1 | 151058 | |
| 30 | Consol Konsol; Konsole; Console | 1 | 151943 | |
| 31 | Locking pin Spännstift; Spannstift; Goupille | 1 | 21316 | |
| 32 | Screw Skruv; Schraube; Vis | 1 | 28708 | |
| 33 | Washer Bricka; Scheibe; Rondelle | 1 | 126723-006 | |
| 34 | Axle Axel; Achse; Axe | 1 | 101298 | |
| 35 | Washer Bricka; Scheibe; Rondelle | 1 | 21307 | |
| 36 | Screw Skruv; Schraube; Vis | 1 | 23006 | |
| 37 | Chain wheel(Complete) Kedjehjul(Komplett); Kettenrad(Komplett); Roue de chaine(Comple)et | 1 | 158155 | |
| 38 | Locking ring Spårring; Schliessring; Circlip | 2 | 20076 | |
| 39 | Roller Rulle; Rolle; Roleau | 1 | 158156 | |
| 40 | Sealing ring Tåtningsring; Dichtungsring; Bague d'étanchéité | 2 | 20902 | |
| 41 | Bearing Lager; Lager; Roulement | 2 | 26937 | |

7190-014 Main mast suspension

[1998-09-17]

Huvudstativinfästning; Befestigung Haupthubgerüst; Suspension mât principal

| Pos | Description | Pcs | Part No | Note |
|-----|--|-----|------------------------------|----------------------|
| | | | 405 RR B5-B6 411 RR E5-E6 | 328924 - 328924 - |
| 11 | Screw Skruv; Schraube; Vis | 2 | 29751 | |
| 12 | Washer Bricka; Scheibe; Rondelle | 2 | 20367 | |
| 13 | Shim(Pcs as needed) Shims(Antal efter behov); Schim(Anzahl nach bedarf); Cale(Nombre éligible) | 4 | 133814 | |
| 14 | Screw Skruv; Schraube; Vis | 4 | 26795 | |
| 15 | Washer Bricka; Scheibe; Rondelle | 4 | 20508 | |
| 16 | Bracket Fäste; Halterung; Support | 2 | 140753 | |
| 17 | Cylinder pin Cylindrisk pinne; Zylinderstift; Goupille cylindre | 2 | 23925 | |
| 18 | Shim Shims; Schim; Cale | 4 | 141241 | |
| 19 | Screw Skruv; Schraube; Vis | 4 | 166317 | |
| 20 | Guide Styrning; Steuerung; Guidage | 4 | 135522 | |
| 21 | Adjusting piece Justerstycke; Einstell stück; Pieces de reguleur | 4 | 166327 | |
| 22 | Roller(Complete) Rulle(Komplett); Rolle(Komplett); Roleau(Complett) | 4 | 29561 | |
| 23 | Locking ring Spårring; Schliessring; Circlip | 4 | 20011 | |

CLICK HERE TO **DOWNLOAD** THE COMPLETE MANUAL

- Thank you very much for reading the preview of the manual.
- You can download the complete manual from: www.heydownloads.com by clicking the link below



- Please note: If there is no response to CLICKING the link, please download this PDF first and then click on it.

CLICK HERE TO **DOWNLOAD** THE COMPLETE MANUAL