

Quality Parts

PPL 2000 MX

Valid for machine number.....	316740AA-
Only valid for machine number.....	<input type="text"/> <input type="text"/> <input type="text"/> <input type="text"/> <input type="text"/> <input type="text"/> <input type="text"/>
Ordering number.....	164305
Date	1998-03-30 / BDJ
Language.....	GB; SE; DE; FR

CLICK HERE TO **DOWNLOAD** THE COMPLETE MANUAL

- Thank you very much for reading the preview of the manual.
- You can download the complete manual from: www.heydownloads.com by clicking the link below



- Please note: If there is no response to CLICKING the link, please download this PDF first and then click on it.

CLICK HERE TO **DOWNLOAD** THE COMPLETE MANUAL

0380-044 Fork frame

[1997-11-21]

Gaffelstomme (Låglyftande); Gabelgeruest (Niederhubwagen); Tablier porte-fourch

			454 PPL 2000 MX	305210 -
Pos	Description	Pcs	Part No	Note
04	Torsion tube compl(b5=450 mm) Vridrör kompl; Drehrohr Kompl; Levier de tringle compl	1	150918-001	
04	Torsion tube compl(b5=520 mm) Vridrör kompl; Drehrohr Kompl; Levier de tringle compl	1	150918-002	
04	Torsion tube compl(b5=550 mm) Vridrör kompl; Drehrohr Kompl; Levier de tringle compl	1	150918-003	
04	Torsion tube compl(b5=570 mm) Vridrör kompl; Drehrohr Kompl; Levier de tringle compl	1	150918-004	
04	Torsion tube compl(b5=685 mm) Vridrör kompl; Drehrohr Kompl; Levier de tringle compl	1	150918-005	
16	Locking pin Spännstift; Spannstift; Goupille	2	27921	
17	Axle Axel; Achse; Axe	2	154109	
17	Axle(Stainless Steel) Axel(Rostfri); Achse(Nichtrostende); Axe(Inoxydable)	2	154110	
18	Bush Bussning; Bague; Bague	2	140168	
19	Bush Bussning; Bague; Bague	2	140168	
20	Bush Bussning; Bague; Bague	2	146933	
21	Axle Axel; Achse; Axe	1	146954	
21	Axle(Stainless Steel) Axel(Rostfri); Achse(Nichtrostende); Axe(Inoxydable)	1	146986	
22	Screw Skruv; Schraube; Vis	1	29768	
23	Screw Skruv; Schraube; Vis	2	29522	
24	Axle Axel; Achse; Axe	2	134521	
25	Bush Bussning; Bague; Bague	2	140173	
26	Axle Axel; Achse; Axe	2	134446	
26	Axle(Stainless Steel) Axel(Rostfri); Achse(Nichtrostende); Axe(Inoxydable)	2	136859	
27	Cotter pin Saxpinne; Gespalter stift; Goupille fendue	2	20313	
28	Link Länk; Gelenk; Bras	1	156703	
29	Bush Bussning; Bague; Bague	4	140173	
30	Washer Bricka; Scheibe; Rondelle	2	20013	
31	Locking ring Spårring; Schliessring; Circlip	2	29793	
32	Axle Axel; Achse; Axe	2	76313-001	
33	Washer Bricka; Scheibe; Rondelle	4	20404	

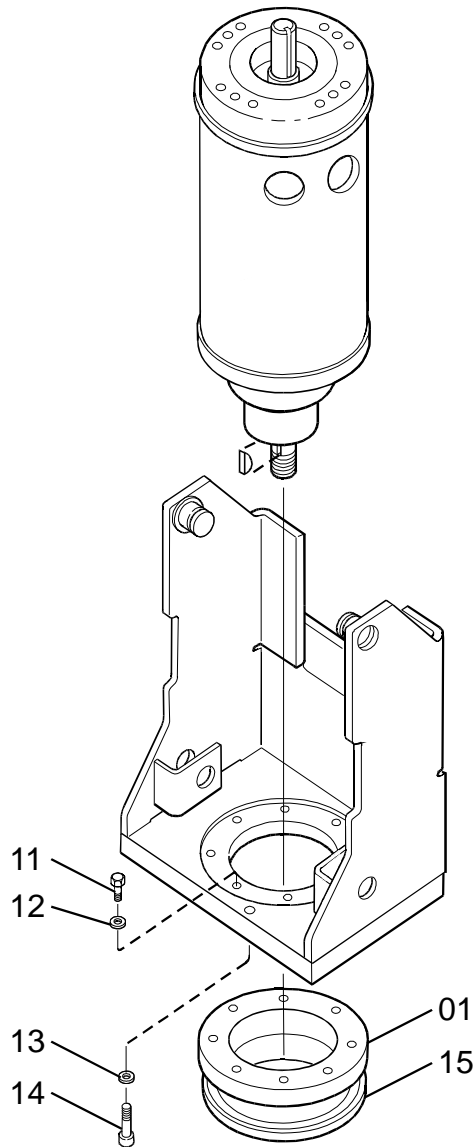
3160-013 Brake drum, disc assembly

[1997-11-22]

Trumbroms, skivbroms; Trommel, Scheibenbremse; Moyeu de freinage

			454 PPL 2000 MX	305210 -
Pos	Description	Pcs	Part No	Note
11	Arm Arm; Arm; Bras	1	137191	
12	Nut Mutter; Mutter; Erou	1	20016	
13	Nut Mutter; Mutter; Erou	1	20433	
14	Nut Mutter; Mutter; Erou	1	20396	
15	Screw Skruv; Schraube; Vis	4	20055	
16	Washer Bricka; Scheibe; Rondelle	8	20375	
17	Spring Fjäder; Feder; Ressort	4	29603	
18	Pressure plate Tryckplatta; Drückplättchen; Plaque de pression	1	138730	
19	Nut Mutter; Mutter; Erou	4	134482	
20	Screw Skruv; Schraube; Vis	1	163009	
21	Brake disc Bromsskiva; Innenlamelle; Disque de freinage	1	28044	
22	Locking ring Spärring; Schliessring; Circlip	1	20004	
23	Washer Bricka; Scheibe; Rondelle	1	20882	
24	Driver Medbringare; Kupplung.; Couplement	1	28049	
25	Disc Skiva; Runde Scheibe; Disque	1	138729	
26	Screw Skruv; Schraube; Vis	2	23913	
27	Nut Mutter; Mutter; Erou	2	21110	
28	Screw Skruv; Schraube; Vis	1	20460	
29	Roller Rulle; Rolle; Roleau	1	21955	

4180-008

**4180-008 Steering bearings, radial bearing**

[1996-04-02]

Styrlagring, styrlager / krans (radial); Führungslager, lenkkranz; Roulement direction

Pos	Description	Pcs	Part No	Note
01	Ball bearing Kullager; Kugellager; Roulement a billes	1	110290	
11	Screw Skruv; Schraube; Vis	8	20532	
12	Washer Bricka; Scheibe; Rondelle	8	20375	
13	Washer Bricka; Scheibe; Rondelle	2	20228	
14	Screw Skruv; Schraube; Vis	2	20651	
15	Sealing Tätning; Dichtung; Joint	1	28070	

5430-032 Motor cables, resistors

[1997-11-24]

Effektkablar, effektmotstånd; Leistungskabeln, Widerstand; Cables moteur, resistances

			454 PPL 2000 MX	305210 -
Pos	Description	Pcs	Part No	Note
01	Fuse(100A) Säkring; Sicherung; Fusible	1	29228	
11	Insulator Isolator; Isolator; Isolateur	2	65183	
12	Washer Bricka; Scheibe; Rondelle	4	65184	
13	Washer Bricka; Scheibe; Rondelle	2	21393	
14	Nut Mutter; Mutter; Ecrou	2	20045	
15	Washer Bricka; Scheibe; Rondelle	4	21307	
16	Screw Skruv; Schraube; Vis	4	27500	
17	Cable Kabel; Kabel; Câble	1	137606	
18	Cable Kabel; Kabel; Câble	1	136747	
19	Cable(4) Kabel; Kabel; Câble	1	139216	
20	Cable Kabel; Kabel; Câble	1	134656	
21	Cable Kabel; Kabel; Câble	1	134659	
23	Cable Kabel; Kabel; Câble	1	134660	
24	Cable Kabel; Kabel; Câble	1	136765	
25	Cable(Transistor) Kabel; Kabel; Câble	1	137591	
26	Cable(A1) Kabel; Kabel; Câble	1	139173	
27	Cable(5) Kabel; Kabel; Câble	1	139217	
28	Cable Kabel; Kabel; Câble	1	136746	
29	Cable Kabel; Kabel; Câble	1	136749	
30	Cable(A2) Kabel; Kabel; Câble	1	139174	
31	Cable Kabel; Kabel; Câble	1	136748	

CLICK HERE TO **DOWNLOAD** THE COMPLETE MANUAL

- Thank you very much for reading the preview of the manual.
- You can download the complete manual from: www.heydownloads.com by clicking the link below



- Please note: If there is no response to CLICKING the link, please download this PDF first and then click on it.

CLICK HERE TO **DOWNLOAD** THE COMPLETE MANUAL