

## Quality Parts

OS 3.0

Valid for machine number..... 325962AA-

Only valid for machine number..... 

--	--	--	--	--	--	--	--

Ordering number..... 165545

Date ..... 1998-09-23 / BDF

Language..... GB; SE; DE; FR

CLICK HERE TO **DOWNLOAD** THE COMPLETE MANUAL

- Thank you very much for reading the preview of the manual.
- You can download the complete manual from: [www.heydownloads.com](http://www.heydownloads.com) by clicking the link below



- Please note: If there is no response to CLICKING the link, please download this PDF first and then click on it.

CLICK HERE TO **DOWNLOAD** THE COMPLETE MANUAL

## **9000 Optionals / attachments**

Tillbehör / extra utrustning; Zubehör / zusatzausrüstung; Options

### **9130-006 Working cage**

Arbetskorg; Arbeitskorb; Nacelle

### **9400-005 Extra electrical equipment**

Extra elektrisk utrustning; Zusatzausrüstung Elektroanlage; Equipement electr. supplementaire

### **9500-032 Extra mechanical equipment**

Extra utrustning övrigt; Zusatzausrüstung Sonstiges; Equip. mecanique supplementaire

### **9500-037 Extra mechanical equipment**

Extra utrustning övrigt; Zusatzausrüstung Sonstiges; Equip. mecanique supplementaire

### **9500-038 Extra mechanical equipment**

Extra utrustning övrigt; Zusatzausrüstung Sonstiges; Equip. mecanique supplementaire

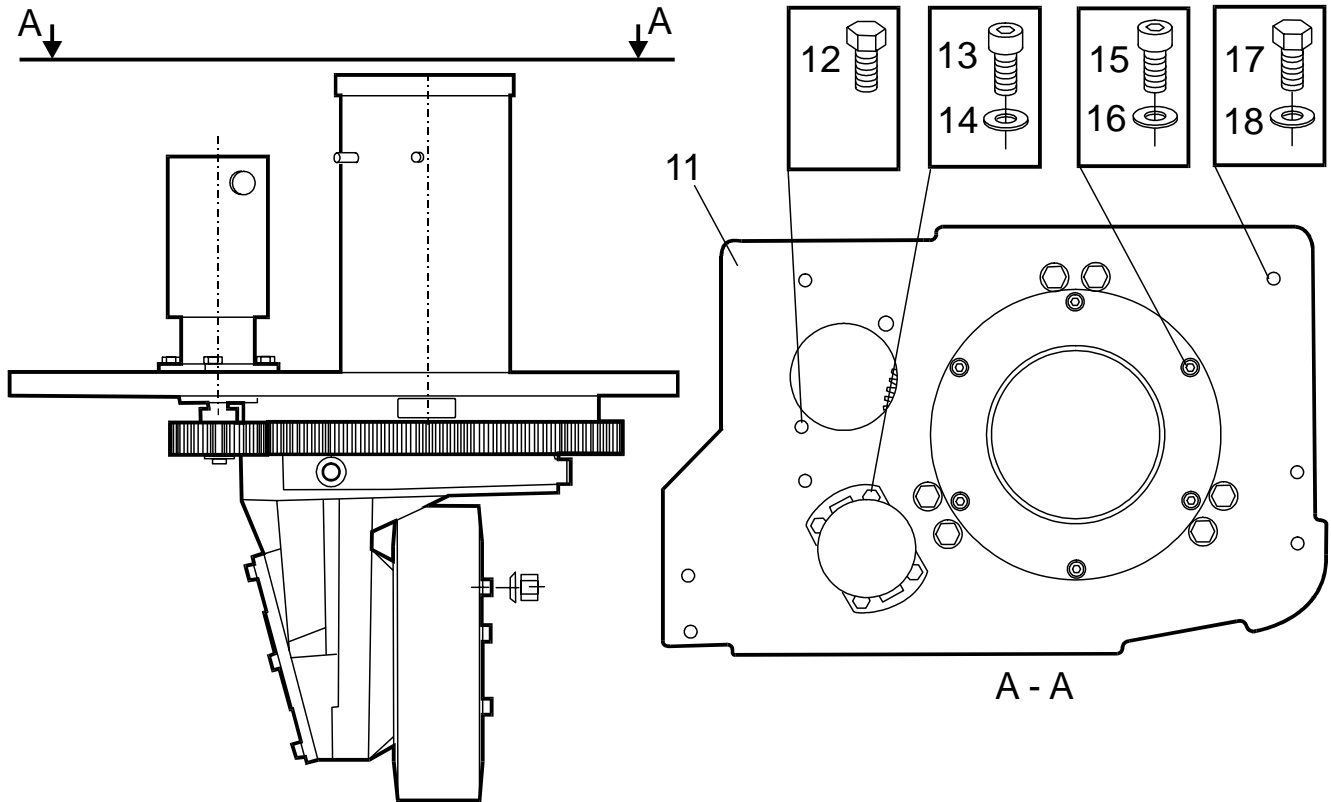
### **9500-062 Extra mechanical equipment**

Extra utrustning övrigt; Zusatzausrüstung Sonstiges; Equip. mecanique supplementaire

### **9550-003 Battery changing equipment**

Batteribytesanordning; Batteriewechselsevorrichtung; Changer de batterie

0450-025

**0450-025 Motor fixation points**

[1998-08-25]

Motoruphängning / fästen; Motoraufhängung / Halterung; Points de fixation moteur

Steering arm with servo; Manöverarmsstyrning med servo; Steuerarm mit servo; Bras de manoeuvre, servo			346 OS 3.0	325962 -
Pos	Description	Pcs	Part No	Note
11	Plate Plåt; Platte; Plaque	1	166314	
12	Screw Skruv; Schraube; Vis	1	21816	
13	Screw Skruv; Schraube; Vis	4	21141	
14	Washer Bricka; Scheibe; Rondelle	4	20404	
15	Screw Skruv; Schraube; Vis	6	21141	
16	Washer Bricka; Scheibe; Rondelle	6	21275	
17	Screw Skruv; Schraube; Vis	7	20338	
18	Washer Bricka; Scheibe; Rondelle	7	20228	

## Quality Parts

1700-010

Pos	Description	Pcs	Part No	Note
02	Carbon brush Kolborste; Kohlebürste; Charbon	8	26105	
03	Brush bridge(Complete) Borstbrygga(Komplett); Bürstenbrücke(Komplett); Support de porte balais(Complet)	1	145680	
09	Rotor Rotor; Rotor; Rotor	1	150006	
10	Stator Stator; Ständer; Stator	1	145675	
11	Screw Skruv; Schraube; Vis	6	26652	
12	Fan Fläkt; Kühlgebläse; Ventilateur	1	145689	
13	Key Kil; Keil; Clavette	1	21132	
14	End shield Lagersköld; Lagerschild; Bouclier	1	145679	
15	Locking ring Spärring; Schliessring; Circlip	2	29753	
16	Washer Bricka; Scheibe; Rondelle	2	56016	
17	Screw Skruv; Schraube; Vis	2	20224	
18	Ball bearing Kullager; Kugellager; Roulement a billes	1	28886	
19	Ring Ring; Ring; Bague	1	145684	
20	Washer Bricka; Scheibe; Rondelle	4	21307	
21	Cable(A1) Kabel; Kabel; Câble	1	145682	
22	Cable(A2) Kabel; Kabel; Câble	1	145683	
24	Screw Skruv; Schraube; Vis	8	25064	
25	Washer Bricka; Scheibe; Rondelle	8	21307	
26	Washer Bricka; Scheibe; Rondelle	8	21275	
27	Terminal board Uttagsplint; Klemmbrett; Borne	1	145685	
28	Carbon brush spring Kolfjäder; Feder für Kohlenbürste; Ressort ( charbon )	8	145681	
29	Screw Skruv; Schraube; Vis	8	20400	
30	Expanding sleeve Spännbussning; Dehningshülse; Douille expansion	1	145690	
31	Sealing ring Tättningsring; Dichtungsring; Bague d'étanchéité	1	29752	
32	Ball bearing Kullager; Kugellager; Roulement a billes	1	26650	
33	Hub Nav; Nabe; Moyeu	1	145678	
34	Locking ring Spärring; Schliessring; Circlip	1	20037	
35	Locking ring Spärring; Schliessring; Circlip	1	20041	
36	Key Kil; Keil; Clavette	1	20150	
38	Plate Plåt; Platte; Plaque	2	145688	
39	Cover. Lucka; Deckel; Couvercle	1	145687	
40	End shield Lagersköld; Lagerschild; Bouclier	1	145677	

**3110-005 Brake controls, brake system**

[1996-09-05]

Bromsreglage, färdbrömsssystem; Bremsregelung, Betriebsbremssystem; Commandes, système de freinage

			346 OS 3.0	289679 -
Pos	Description	Pcs	Part No	Note
11	<b>Brake control complete</b> Bromsreglage komplett; Bremsregler komplett; Levier de frein complete	1	152834	<b>Cold stores</b> Fryshus; Gefrieranlage; Chambre frigorifique
11	<b>Brake control complete</b> Bromsreglage komplett; Bremsregler komplett; Levier de frein complete	1	152845	
12	<b>Lever</b> Spak; Hebel; Levier	1	151473	
13	<b>Bellows(Rubber)</b> Bälg(Gummi); Balg(Gummi); Soufflet(Gomme)	1	151474-001	
14	<b>Nut</b> Mutter; Mutter; Erou	1	20396	
15	<b>Locking ring</b> Spårring; Schliessring; Circlip	1	20885	
16	<b>Washer</b> Bricka; Scheibe; Rondelle	1	23630	
17	<b>Washer</b> Bricka; Scheibe; Rondelle	1	152831	
18	<b>Washer</b> Bricka; Scheibe; Rondelle	1	23630	
19	<b>Locking pin</b> Spännstift; Spannstift; Goupille	1	20144	
20	<b>Spring</b> Fjäder; Feder; Ressort	1	142491	
21	<b>Bracket</b> Fäste; Halterung; Support	1	152832	

**4110-049 Steering arm / wheel / lever**

[1998-08-20]

Manöverreglage arm / ratt / spak; Steuerarm, Lenkrad / Hebel; Bras / roue / levier de Direction

Steering wheel system; Rattstyring; Lenkrad steuerung; Volant de direction		346 OS 3.0	295607 -	
Pos	Description	Pcs	Part No	Note
11	Screw Skruv; Schraube; Vis	9	29918	
12	Nut Mutter; Mutter; Ecrou	9	29917	
13	House Kåpa; Haus; Chape	1	157001-001	
13	House Kåpa; Haus; Chape	1	157001-002	Cold stores Fryshus; Gefrieranlage; Chambre frigorifique
14	Gas suspension(800 Newton) Gasfjäder; Gasfederung; Suspension à gaz	1	150580	
14	Gas suspension(500 Newton) Gasfjäder; Gasfederung; Suspension à gaz	1	151472	
15	Bracket Fäste; Halterung; Support	1	152857	
16	Lever Spak; Hebel; Levier	1	152856	
17	Axle Axel; Achse; Axe	2	151471	
17	Axle Axel; Achse; Axe	2	152847	Cold stores Fryshus; Gefrieranlage; Chambre frigorifique
18	Locking ring Spärring; Schliessring; Circlip	4	21439	
19	Protection Skydd; Schutz; Protègee	1	151467	
20	Arm(A = 225 mm) Arm; Arm; Bras	1	151465-001	
20	Arm(A = 295 mm) Arm; Arm; Bras	1	151465-002	
20	Arm(A = 365 mm) Arm; Arm; Bras	1	151465-003	
21	House(C = 203 mm) Kåpa; Haus; Chape	1	152852-001	
21	House(C = 273 mm) Kåpa; Haus; Chape	1	152852-002	
21	House(C = 343 mm) Kåpa; Haus; Chape	1	152852-003	
22	Screw Skruv; Schraube; Vis	1	29895	
23	Screw Skruv; Schraube; Vis	1	22995	
24	Handle Handtag; Handgriff; Poignée.	1	152837	
25	Screw Skruv; Schraube; Vis	2	20333	
26	Bellows Bålg; Balg; Soufflet	1	151474-002	
27	House Kåpa; Haus; Chape	1	152851	
28	Nut Mutter; Mutter; Ecrou	1	20096	
29	Washer Bricka; Scheibe; Rondelle	1	20404	
30	Distance piece Distans; Distanz; Distance	1	54731	
31	Lever Spak; Hebel; Levier	1	142422-008	
32	Bush Bussning; Bague; Bague	2	140177	

CLICK HERE TO **DOWNLOAD** THE COMPLETE MANUAL

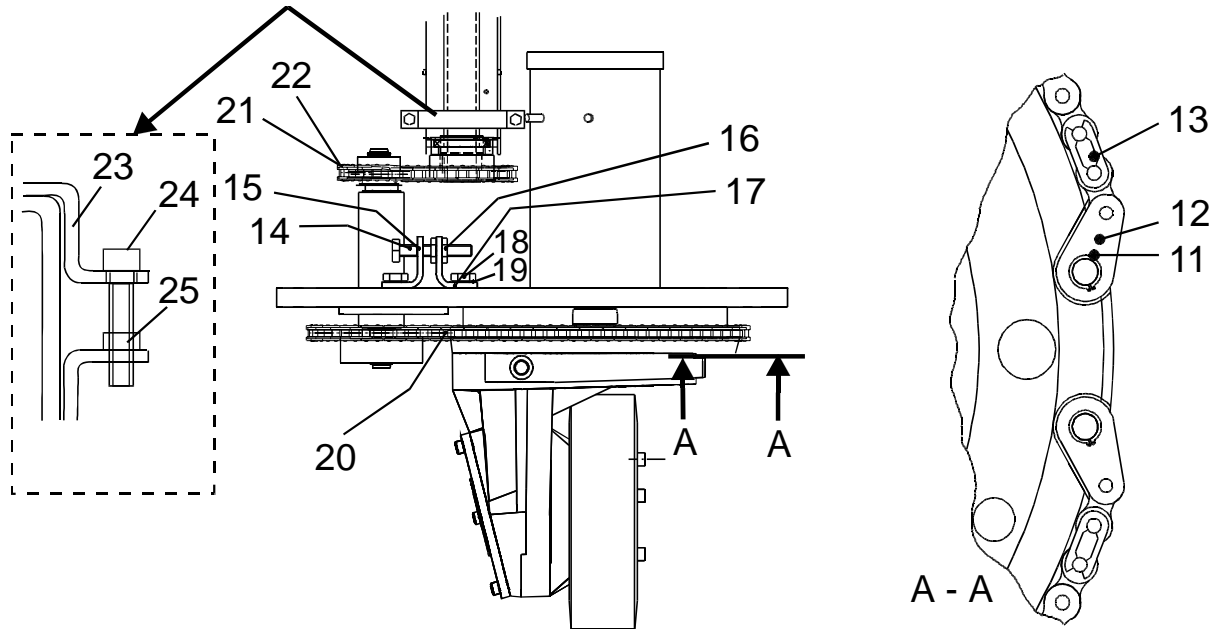
- Thank you very much for reading the preview of the manual.
- You can download the complete manual from: [www.heydownloads.com](http://www.heydownloads.com) by clicking the link below



- Please note: If there is no response to CLICKING the link, please download this PDF first and then click on it.

CLICK HERE TO **DOWNLOAD** THE COMPLETE MANUAL

## 4170-005



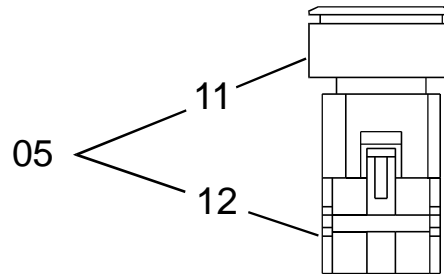
## 4170-005 Steering Chain / linkage / wire

[1996-09-10]

Styrkedja / länkar / wire; Steuergelenke / Kette / Stahlseil; Cable/fixation chaine de direction

Mechanical steering; Mekanisk styrning; Mechanisch steuerung; Direction mécanique			346 OS 3.0	275189 -
Pos	Description	Pcs	Part No	Note
11	Locking ring Spärring; Schliessring; Circlip	4	20885	
12	End link washer Ändlänksbricka; Endgelenkscheibe; Mailon terminal	2	27876	
13	Chain lock Kedjelås; Kettenschloss; Arret de chaine	2	29689	
14	Screw Skruv; Schraube; Vis	1	27631	
15	Bracket Fäste; Halterung; Support	1	138522	
16	Nut Mutter; Mutter; Ecrou	2	20777	
17	Bracket Fäste; Halterung; Support	1	138517	
18	Screw Skruv; Schraube; Vis	2	26618	
19	Washer Bricka; Scheibe; Rondelle	2	21394	
20	Chain Kedja; Ketten; Chaîne	1	142518	
21	Chain Kedja; Ketten; Chaîne	1	142517	
22	Chain lock Kedjelås; Kettenschloss; Arret de chaine	1	26011	
23	Bracket Fäste; Halterung; Support	1	144394	
24	Screw Skruv; Schraube; Vis	2	20276	
25	Nut Mutter; Mutter; Ecrou	1	20081	

## 5310-012

5310-012 **Start/stop switch**

[1997-01-09]

Start/stopströmställare; Schalter Fahren/Anhalten; Interrupteurs depart/arrêt

<i>Only inchning, walk button drive wheel direction; Endast krypfart, sidogående körknapp; Nur langsamfahren, seitengehen Druckknopf; Marcher lentement, conduire flanc</i>			346 OS 3.0	268927 -
Pos	Description	Pcs	Part No	Note
05	<b>Push-button switch(Complete)</b> Tryckknappsbrytare(Komplett); Druckknopfschalter(Komplett); Bouton rupteur(Complett)		146151	
11	<b>Push-button</b> Tryckknapp; Druckknopf; Bouton		153195	
12	<b>Contact device</b> Kontaktblock; Kontakteinheit; Unite de contact		153196	

**5390-085 Control cables / harnesses**

[1998-09-22]

Manöverkablage; Steuerstromkabel / verkabelung; Câblage de commande

Steering wheel system; Rattstyrning; Lenkrad steuerung; Volant de direction		346 OS 3.0	325962 -	
Pos	Description	Pcs	Part No	Note
11	Wiring harness Kablage; Kabelsatz; Câblage	1	156122	
12	Screw Skruv; Schraube; Vis	4	29481	
13	Clamp Klamma; Rohrschelle; Collier	4	20942	
14	Bracket Fäste; Halterung; Support	4	129399	
15	Wiring harness Kablage; Kabelsatz; Câblage	1	160630	Main Huvud; Haubt; Principal
17	Wiring harness Kablage; Kabelsatz; Câblage	1	156542	Driver lift Föraryft; Aufheben Führer; Radeau de soulèvement, conducteur
18	Wiring harness Kablage; Kabelsatz; Câblage	1	156578	
19	Wiring harness Kablage; Kabelsatz; Câblage	1	156641	
20	Wiring harness Kablage; Kabelsatz; Câblage	2	156640	
21	Clamp Klamma; Rohrschelle; Collier	3	20942	
22	Fuse(10A) Säkring; Sicherung; Fusible	1	122308-100	
23	Fuse(20A) Säkring; Sicherung; Fusible	1	122308-200	
24	Fuse holder Säkringshållare; Sicherungshalter; Porte-fusibles	2	135421	
25	Nit Nit; Niet; Rivet	1	28959	
26	Bracket Fäste; Halterung; Support	1	135422	
27	Wiring harness Kablage; Kabelsatz; Câblage	1	156121	
29	Plate Plåt; Platte; Plaque	1	166316	
30	Nut Mutter; Mutter; Ecrou	2	20433	
31	Washer Bricka; Scheibe; Rondelle	6	20375	
32	Screw Skruv; Schraube; Vis	2	20750	

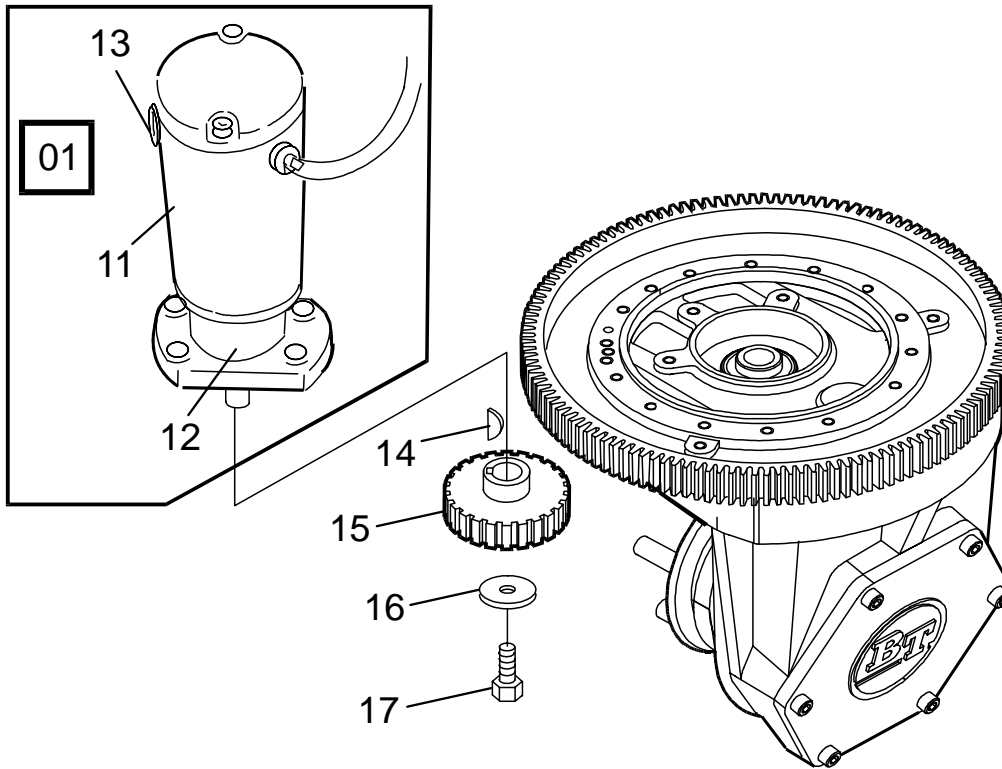
**5680-026 Motor/Battery cables**

[1998-08-14]

Motor/batterikablar; Motor/batterieverkabelung; Cables moteur/batterie

Steering arm; Manöverarmsstyrning; Steuerarm; Bras de manoeuvre			346 OS 3.0	325962 -
Pos	Description	Pcs	Part No	Note
11	<b>Cable(40)</b> Kabel; Kabel; Câble	1	140819	
12	<b>Cable(3)</b> Kabel; Kabel; Câble	1	142735	
13	<b>Connector with cable complete</b> Handske med kabel komplett; Stromstecker mit Kabel komplett.; Connection fiche avec câble complete.	1	166282	
14	<b>Connector socket</b> Kabelhandske; Leistungverbinder; Connexion socle.	1	128373	
15	<b>Cable(40)</b> Kabel; Kabel; Câble	1	166332	
16	<b>Cable(1)</b> Kabel; Kabel; Câble	1	166331	
17	<b>Connector with cable complete</b> Handske med kabel komplett; Stromstecker mit Kabel komplett.; Connection fiche avec câble complete.	1	166286	
18	<b>Connector socket</b> Kabelhandske; Leistungverbinder; Connexion socle.	1	128373	
19	<b>Screw</b> Skruv; Schraube; Vis	2	26956	
20	<b>Nut</b> Mutter; Mutter; Ecrou	2	26957	
21	<b>Handle</b> Handtag; Handgriff; Poignée.	1	105116	
22	<b>Cable(-)</b> Kabel; Kabel; Câble	1	166285	
23	<b>Cable(+)</b> Kabel; Kabel; Câble	1	166284	
24	<b>Screw</b> Skruv; Schraube; Vis	4	20871	
25	<b>Washer</b> Bricka; Scheibe; Rondelle	4	20375	
26	<b>Nut</b> Mutter; Mutter; Ecrou	4	20433	

5830-017

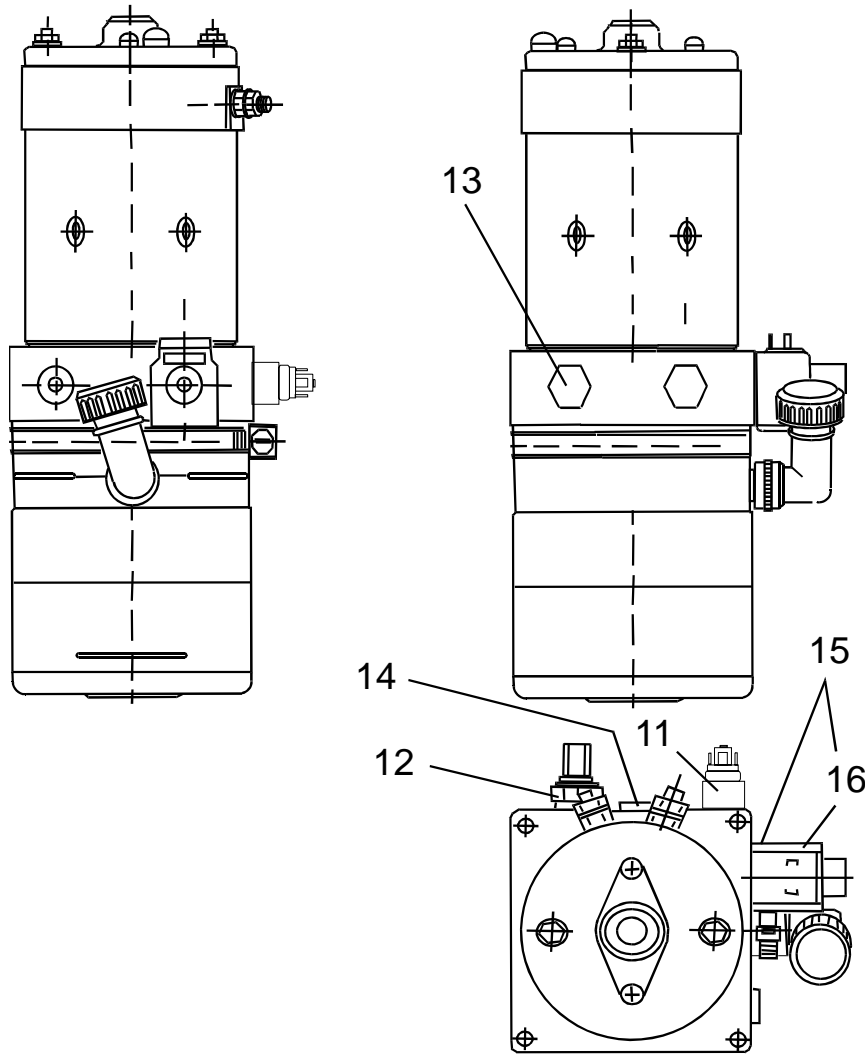
**5830-017 Steering motor**

Styrmotor; Steuerungsmotor; Module moteur de direction

[1998-08-19]

Steering arm with servo; Manöverarmsstyrning med servo; Steuerarm mit servo; Bras de manoeuvre, servo			346 OS 3.0	325962 -
Pos	Description	Pcs	Part No	Note
01	Steering motor(Complete) Styrmotor(Komplett); Steuerrungsmotor(Komplett); Module moteur de direction(Complet)	1	154353	
11	Motor Motor; Motor; Moteur	1	139266	
12	Gear Växel; Getriebe; Engrenage	1	154354	
13	Carbon brush Kolborste; Kohlebürste; Charbon	2	29565	
14	Key Kil; Keil; Clavette	1	20909	
15	Gear wheel Kugghjul; Zahnrad; Roue dentée	1	164414	
16	Washer Bricka; Scheibe; Rondelle	1	42993	
17	Screw Skruv; Schraube; Vis	1	28328	

6170-008



**6170-008 Pressure / flow control valve**

[1996-02-21]

Tryck- / flödesventil; Druck- / Fließventil; Valve de regulation

			346 OS 3.0	271426 -
Pos	Description	Pcs	Part No	Note
11	Pressure relais Tryckvakt; Druckwächter; Soupape de compression	1	147069	
12	Valve Ventil; Ventil; Soupape	1	143373	
13	Non return valve Backventil; Rückschlagklappe; Clapet de retenue	1	143374	
14	Valve(Flow) Ventil(Flödes); Ventil(Fluss); Soupape(Flux)	1	143370	
15	Valve(Magnet) Ventil(Magnet); Ventil(Magnet); Soupape(Magnétique)	1	143371	
16	Coil Spole; Spule; Bobine	1	143372	

CLICK HERE TO **DOWNLOAD** THE COMPLETE MANUAL

- Thank you very much for reading the preview of the manual.
- You can download the complete manual from: [www.heydownloads.com](http://www.heydownloads.com) by clicking the link below



- Please note: If there is no response to CLICKING the link, please download this PDF first and then click on it.

CLICK HERE TO **DOWNLOAD** THE COMPLETE MANUAL