

## Quality Parts

OS 3.0

Valid for machine number..... 275189AA-282236AA

Only valid for machine number..... 

--	--	--	--	--	--	--	--	--	--

Ordering number ..... 149605

Date ..... 1995-10-04 / ITS / ESIF

Language..... GB; SE; DE; FR

CLICK HERE TO **DOWNLOAD** THE COMPLETE MANUAL

- Thank you very much for reading the preview of the manual.
- You can download the complete manual from: [www.heydownloads.com](http://www.heydownloads.com) by clicking the link below



- Please note: If there is no response to CLICKING the link, please download this PDF first and then click on it.

CLICK HERE TO **DOWNLOAD** THE COMPLETE MANUAL

## 0340-017 Inspection covers

[1995-09-26]

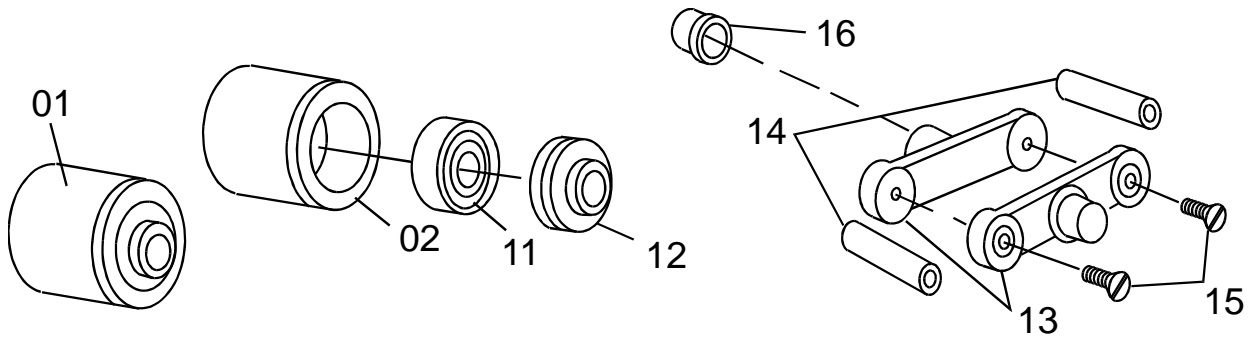
Huvar, luckor; Hauben, Abdeckungen; Capots, couvercles

			346 OS 3.0	275189 - 282236
Pos	Description	Pcs	Part No	Note
11	Cover. Lucka; Deckel; Couvercle	1	148459	
12	Screw Skruv; Schraube; Vis	4	20338	
13	Cover(Plastic) Huv(Plast); Haube(Kunststoff); Capot(Plastique)	1	142122	
14	Screw Skruv; Schraube; Vis	2	28447	
15	Nut Mutter; Mutter; Ecrou	2	28931	
16	Guide Styrning; Steuerung; Guidage	2	134467	
17	Screw Skruv; Schraube; Vis	2	21116	
18	Cover. Lucka; Deckel; Couvercle	1	149252	
22	Cover.(C = 260 mm) Lucka; Deckel; Couvercle	1	148799	
22	Cover.(C = 400 mm) Lucka; Deckel; Couvercle	1	148800	
23	Locking plate Låsplåt; Schlussplatte; Lame de serrage	1	147540	
24	Screw Skruv; Schraube; Vis	1	20319	
25	Nut Mutter; Mutter; Ecrou	1	20130	
26	Spring Fjäder; Feder; Ressort	1	143584	
27	Piston Kolv; Kolben; Piston	2	142365	
28	Screw Skruv; Schraube; Vis	2	20683	
29	Spring Fjäder; Feder; Ressort	2	29684	
30	Axle Axel; Achse; Axe	2	27952	
31	Cotter Sprint; Federsplint; D'attelage	2	29700	
32	Screw Skruv; Schraube; Vis	1	117919	
33	Nut Mutter; Mutter; Ecrou	2	20016	
34	Door(B = 263 mm, left) Dörr(B = 263 mm, vänster); Tür(B = 263 mm, Links); Porte(B = 263 mm, gauche)	1	148795	
34	Door(B = 403 mm, left) Dörr(B = 403 mm, vänster); Tür(B = 403 mm, Links); Porte(B = 403 mm, gauche)	1	148797	
35	Door(B = 263 mm, right) Dörr(B = 263 mm, höger); Tür(B = 263 mm, Recht); Porte(B = 263 mm, droit)	1	148796	
35	Door(B = 403 mm, right) Dörr(B = 403 mm, höger); Tür(B = 403 mm, Recht); Porte(B = 403 mm, droit)	1	148798	
36	Cotter Sprint; Federsplint; D'attelage	2	148776	
37	Hose(Meter) Slang(Meter); Schlauch(Meter); Tuyau flexible(Metre)		29835	
38	Bracket Fäste; Halterung; Support	2	148779	
39	Cotter Sprint; Federsplint; D'attelage	2	29700	





## 3550-007



## 3550-007 Fork/support arm wheels

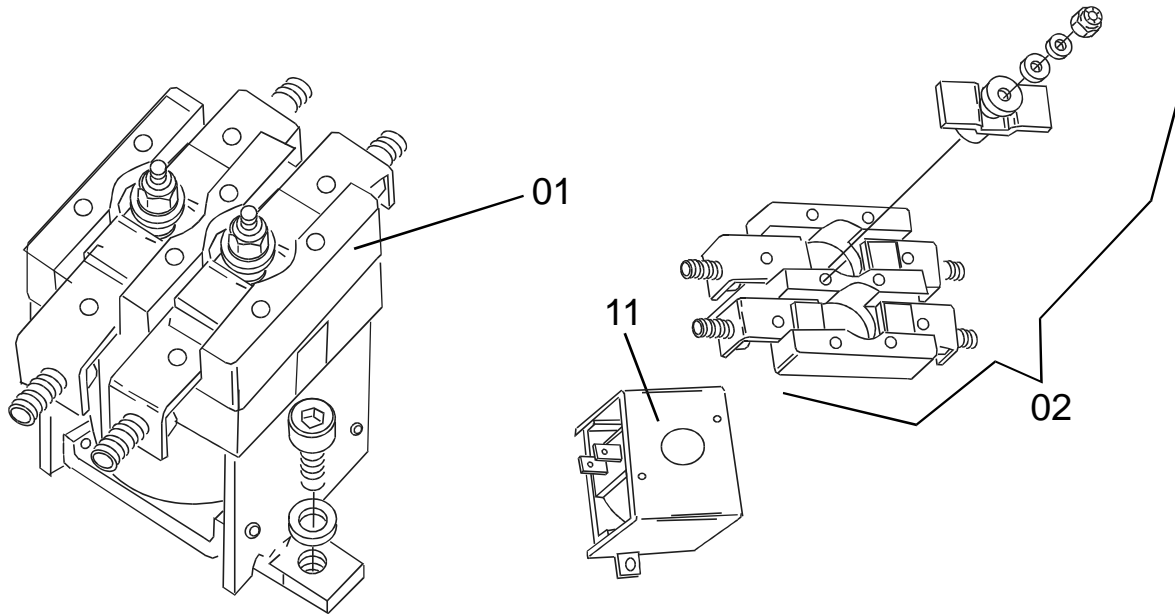
[1996-09-04]

Gaffel-/stödbenshjul; Gabel-/Stützarmrollen; Roues bras-support

Bogie wheel; Boggihjul; Boggirad; Roue bogie		346 OS 3.0	262700 - 295606	
Pos	Description	Pcs	Part No	Note
01	Wheel complete(bogie wheel vulkollan) Hjul komplett(boggiehjul vulkollan); Rad komplett(Boggirad Vulkollan); Roue complete(roue bogie vulkollan)	4	10099	
02	Wheel(Vulkollan) Hjul; Rad; Roue	4	31077	
11	Ball bearing Kullager; Kugellager; Roulement a billes	8	20023	
12	Sealing Tätning; Dichtung; Joint	8	20905	
13	Wheel link Hjullänk; Radgelenk; Bras de roue	4	125867	
14	Axle Axel; Achse; Axe	4	125868	
14	Axle(Stainless Steel) Axel(Rostfri); Achse(Nichtrostende); Axe(Inoxydable)	4	126938	
15	Screw Skruv; Schraube; Vis	8	21044	
16	Bush Bussning; Bague; Bague	4	140178	

Pos	Description	Pcs	Part No	Note
64	<b>Nut</b> Mutter; Mutter; Ecrou	1	20016	
65	<b>Locking ring</b> Spårring; Schliessring; Circlip	1	20885	
66	<b>Washer</b> Bricka; Scheibe; Rondelle	2	20404	
67	<b>Bracket</b> Fäste; Halterung; Support	1	142221	
68	<b>Locking pin</b> Spännstift; Spannstift; Goupille	1	20189	
69	<b>Axle</b> Axel; Achse; Axe	1	138444	
70	<b>Bush</b> Bussning; Bague; Bague	2	140177	
71	<b>Bush</b> Bussning; Bague; Bague	1	142834	
72	<b>Handle</b> Handtag; Handgriff; Poignée.	1	143486	
73	<b>Wire(S = 389 mm)</b> Wire; Drahtseil; Filament	1	143488-001	
73	<b>Wire(S = 529 mm)</b> Wire; Drahtseil; Filament	1	143488-002	
74	<b>Push-button</b> Tryckknapp; Druckknopf; Bouton	1	142830	
75	<b>Spring</b> Fjäder; Feder; Ressort	4	27309	
76	<b>Consol</b> Konsol; Konsole; Console	1	109850	
77	<b>Cover(Left steering wheel)</b> Huv(Vänster ratt); Haube(Links lenkrad); Capot(Gauge volant)	1	142820	
77	<b>Cover(Right steering wheel)</b> Huv(Höger ratt); Haube(Recht Lenkrad); Capot(Droit volant)	1	142821	
78	<b>Cover</b> Huv; Haube; Capot	1	149542	<b>Left steering wheel</b> Vänster ratt; Links lenkrad; Gauge volant
78	<b>Cover</b> Huv; Haube; Capot	1	149543	<b>Right steering wheel</b> Höger ratt; Recht Lenkrad; Droit volant
79	<b>Nut</b> Mutter; Mutter; Ecrou	4	25437	
80	<b>Screw</b> Skruv; Schraube; Vis	4	28545	
81	<b>Screw</b> Skruv; Schraube; Vis	4	21424	
82	<b>Nut</b> Mutter; Mutter; Ecrou	4	20081	
83	<b>Arm</b> Arm; Arm; Bras	1	146234	
84	<b>Bracket</b> Fäste; Halterung; Support	1	146233	
85	<b>Distance piece</b> Distans; Distanz; Distance	1	76974	
86	<b>Distance piece</b> Distans; Distanz; Distance	1	54731	

5190-006



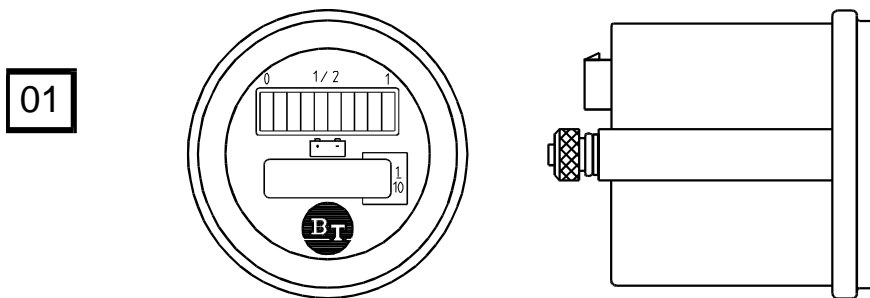
5190-006 Battery cut out connector/contactator

[1996-09-10]

Batterifrånskiljare, huvudkontaktör; Batterietrennung, Hauptkontaktör; Coupe-circuit de batterie, contacteur

			346 OS 3.0	262700 - 282236
Pos	Description	Pcs	Part No	Note
01	Contactör Kontaktör; Kontaktör; Contacteur	1	141139	
02	Contact set Kontaktsats; Kontaktsatz; Jeux de contact	1	74458	
11	Coil Spole; Spule; Bobine	1	124905-012	

5230-001



5230-001 Voltage/battery indicator/control

[1996-06-11]

Volt-/batteri-indikator/-kontroll; Volt- / Batterieanzeige; Indicateur-limiteur de batterie/tension

			346 OS 3.0	262700 - 282236
Pos	Description	Pcs	Part No	Note
01	Battery indicator Batteriindikator; Batterienindikator; Indicateur de batterie	1	132776	

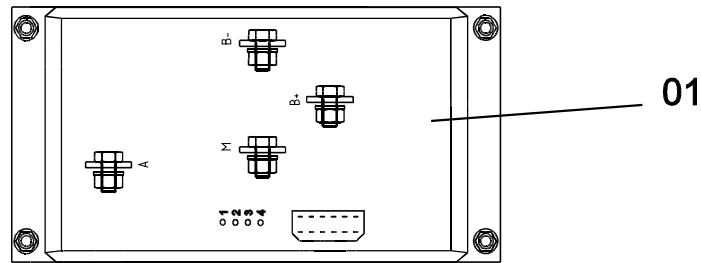
## 5330-006 Speed control

[1994-05-30]

Fartreglering; Geschwindigkeitsreglung; Régulation de vitesse

		346 OS 3.0		262700 - 289678	
Pos	Description	Pcs	Part No	Note	
02	<b>Micro switch(Cold stores)</b> Mikrobrytare(Fryshus); Mikroschalter(Gefrieranlage); Interrupteurs(Chambre frigorifique)	2	147228		
02	<b>Micro switch</b> Mikrobrytare; Mikroschalter; Interrupteurs	2	22409		
03	<b>Operating device</b> Manöverdon; Steuerungsvorrichtung; Bras de commande	2	29078		
13	<b>Screw</b> Skruv; Schraube; Vis	2	20720		
14	<b>Bracket</b> Fäste; Halterung; Support	2	134065		
15	<b>Screw</b> Skruv; Schraube; Vis	2	21134		
16	<b>Washer</b> Bricka; Scheibe; Rondelle	2	21392		
18	<b>Washer</b> Bricka; Scheibe; Rondelle	2	21392		
19	<b>Nut</b> Mutter; Mutter; Erou	2	20255		
20	<b>Screw</b> Skruv; Schraube; Vis	2	20867		
21	<b>Bracket</b> Fäste; Halterung; Support	1	101215		
22	<b>Washer</b> Bricka; Scheibe; Rondelle	2	21317		
23	<b>Nut</b> Mutter; Mutter; Erou	2	20257		
24	<b>Gear wheel</b> Kugghjul; Zahnrad; Roue dentée	1	119697		
25	<b>Potentiometer</b> Potentiometer; Potentiometer; Potentiometre	1	137589		

## 5460-008



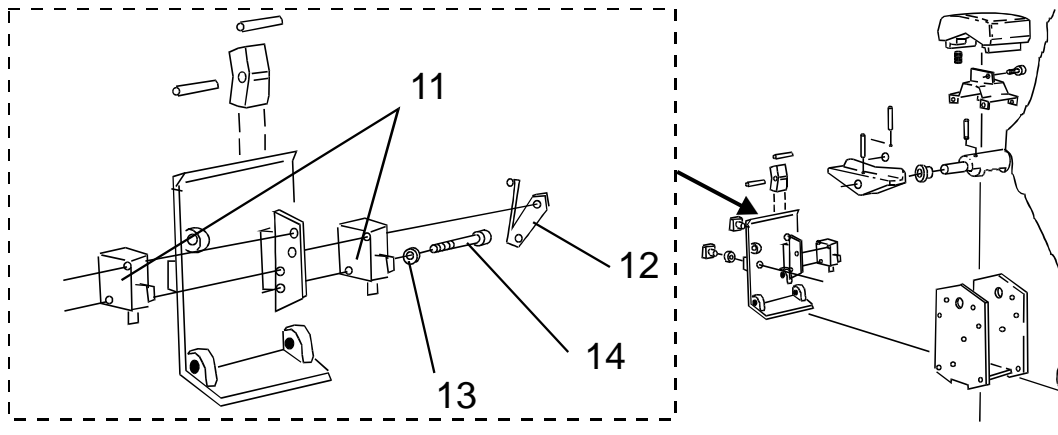
## 5460-008 Transistor panel

[1997-02-27]

Transistorpanel ; Transistorpanel; Panneau transistor

Driving; Åkning; Faharen; Translation			346 OS 3.0	262700 - 282236
Pos	Description	Pcs	Part No	Note
01	Transistor controller Transistorregulator; Transistorregulator; Regulateur des transistors	1	140163-003	

## 5510-001



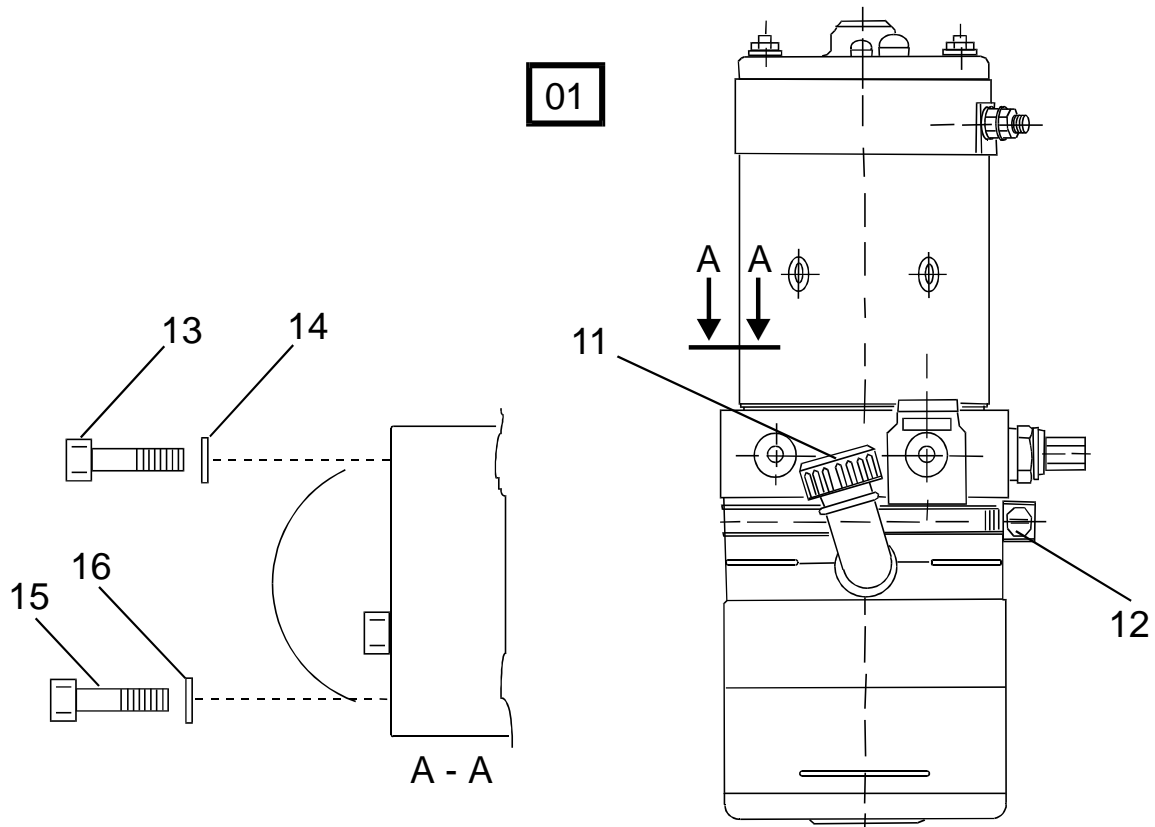
## 5510-001 Work function micro switches, potentiometers

[1996-09-09]

Arbetsfunktionsbrytare/-potentiometer; Schalter/Potentiometer Arbeitsfunktion; Rupteurs (switches)/potentiomètres

			346 OS 3.0	262700 - 295606
Pos	Description	Pcs	Part No	Note
11	Micro switch Mikrobrytare; Mikroschalter; Interrupteurs	2	22409	
12	Operating device Manöverdon; Steuerungsvorrichtung; Bras de commande	2	29078	
13	Washer Bricka; Scheibe; Rondelle	4	21392	
14	Screw Skruv; Schraube; Vis	4	23638	

## 6100-013



## 6100-013 Hydraulic unit

[1996-09-09]

Hydraulaggregat; Hydraulikaggregat; Unité hydraulique

Pos	Description	Pcs	Part No	Note
01	Pump unit compl. Pumpenhet kompl.; Pumpeinheit kompl.; Unite de pompe compl.	1	145735	
11	Cap Lock; Deckel; Couvercle	1	143380	
12	Clamp Klamma; Rohrschelle; Collier	1	143381	
13	Screw Skruv; Schraube; Vis	1	20078	
14	Washer Bricka; Scheibe; Rondelle	1	20404	
15	Screw Skruv; Schraube; Vis	2	20460	
16	Washer Bricka; Scheibe; Rondelle	2	42993	

CLICK HERE TO **DOWNLOAD** THE COMPLETE MANUAL

- Thank you very much for reading the preview of the manual.
- You can download the complete manual from: [www.heydownloads.com](http://www.heydownloads.com) by clicking the link below



- Please note: If there is no response to CLICKING the link, please download this PDF first and then click on it.

CLICK HERE TO **DOWNLOAD** THE COMPLETE MANUAL