

Quality Parts

OS 3.0

Valid for machine number..... 262700AA-268926AA

Only valid for machine number.....

--	--	--	--	--	--	--	--	--

Ordering number 145513

Date 1994-11-18 / ITS / ESIF

Language..... GB; SE; DE; FR

CLICK HERE TO **DOWNLOAD** THE COMPLETE MANUAL

- Thank you very much for reading the preview of the manual.
- You can download the complete manual from: www.heydownloads.com by clicking the link below



- Please note: If there is no response to CLICKING the link, please download this PDF first and then click on it.

CLICK HERE TO **DOWNLOAD** THE COMPLETE MANUAL

0680-004 Internal fittings

[1994-07-11]

Inredningsdetaljer; Einrichtungsteile; Accessoires intérieurs

		346 OS 3.0		262700 - 271425	
Pos	Description	Pcs	Part No	Note	
11	Compartment Fack; Busche; Boite	1	142498		
12	Compartment Fack; Busche; Boite	1	142499		
13	List(Meter) List(Meter); Leiste(Meter); Bande(Metre)		21762		
14	Screw Skruv; Schraube; Vis	4	29667		
15	Washer Bricka; Scheibe; Rondelle	4	20375		
16	Nut Mutter; Mutter; Ecrou	4	28929		
17	Cushion Dyna; Kissen; Coussin	1	142069		
18	Bracket Fäste; Halterung; Support	4	142225		
19	Compartment Fack; Busche; Boite	2	142500		
20	Screw Skruv; Schraube; Vis	3	25730		
21	Washer Bricka; Scheibe; Rondelle	3	20404		
22	Screw Skruv; Schraube; Vis	4	24431		
23	Damper Dämpare; Dämpfer; Attenteur	4	143212		
24	Plate(Complete) Plåt(Komplett); Platte(Komplett); Plaque(Complet)	1	143539		

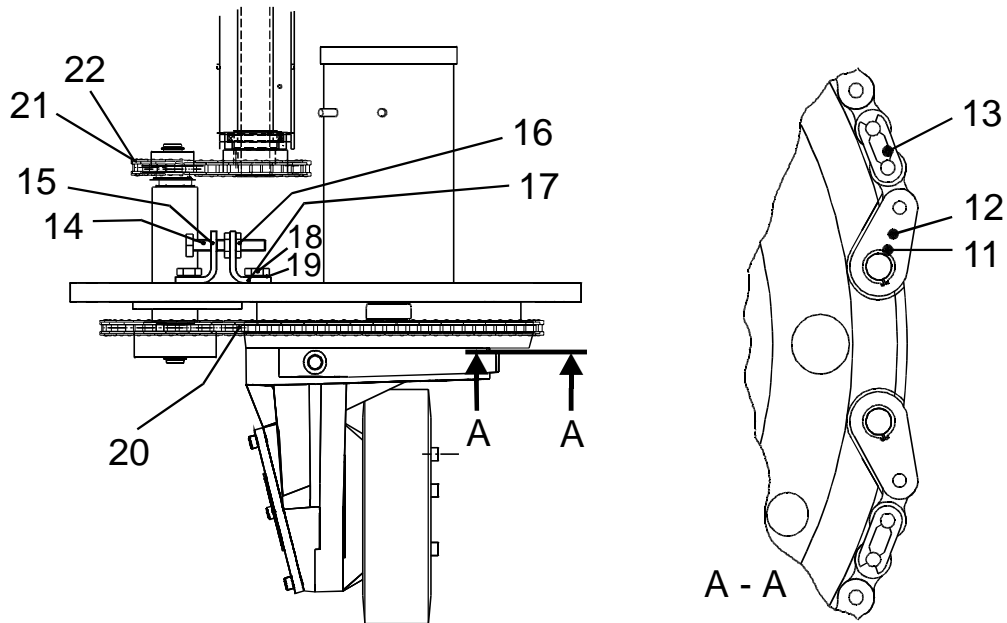
4110-006 Steering arm / wheel / lever

[1995-03-07]

Styr- arm/ratt/spak; Deichsel, Lenkrad-hebel; Timon/volant/levier de direction

Mechanical steering; Mekanisk styrning; Mechanisch steuerung; Direction mécanique		346 OS 3.0		262700 - 268926
Pos	Description	Pcs	Part No	Note
01	Steering arm compl.(L = 300 mm) Styrarm kompl.; Deichsel kompl.; Timon compl.	1	140926	
01	Steering arm compl.(L = 440 mm) Styrarm kompl.; Deichsel kompl.; Timon compl.	1	140927	
11	Cap(N = 310 mm) Lock; Deckel; Couvercle	1	142793	
11	Cap(N = 175 mm) Lock; Deckel; Couvercle	1	142794	
12	Gas suspension(400 Newton) Gasfjäder(400 N); Gasfederung(400 N); Suspension à gaz(400 N)	1	140940	
12	Gas suspension(300 Newton) Gasfjäder(300 N); Gasfederung(300 N); Suspension à gaz(300 N)	1	140941	
13	Screw Skruv; Schraube; Vis	4	28545	
14	Nut Mutter; Mutter; Ecrou	4	118316-006	
15	Nut Mutter; Mutter; Ecrou	2	21110	
16	Axle Axel; Achse; Axe	1	138444	
17	Bush Bussning; Bague; Bague	2	140177	
18	Bracket Fäste; Halterung; Support	1	147536	
19	Lever Spak; Hebel; Levier	1	140808-001	
20	Locking pin Spännstift; Spannstift; Goupille	1	20686	
21	Spring Fjäder; Feder; Ressort	1	142770	
22	Screw Skruv; Schraube; Vis	2	29668	
23	Washer Bricka; Scheibe; Rondelle	2	22553	
24	Bracket Fäste; Halterung; Support	1	149063	
25	Screw Skruv; Schraube; Vis	2	28970	
26	Bracket Fäste; Halterung; Support	1	147571	
27	Screw Skruv; Schraube; Vis	1	20078	
28	Clamp Klamma; Rohrschelle; Collier	2	20942	
29	Cap Lock; Deckel; Couvercle	1	142250	
30	Cap Lock; Deckel; Couvercle	1	142251	
31	Operating arm housing Manöverarmshus; Steuerarm Gehäuse; Boîtier de timon commande	1	141950	
32	Screw Skruv; Schraube; Vis	12	20867	
33	Handle Handtag; Handgriff; Poignée.	1	141846	
34	Bracket Fäste; Halterung; Support	1	141845	
35	Screw Skruv; Schraube; Vis	2	24470	
36	Nut Mutter; Mutter; Ecrou	4	25437	

4170-004



4170-004 Steering Chain / linkage / wire

[1998-08-20]

Styrkedja/-länkar, wire; Steuerkette/-gelenke/-stahlseil; Chaîne de direction, câble, fixation

Steering arm without servo; Manöverarmsstyrning utan servo; Steuerarm ohne servo; Bras de manoeuvre sans servo			346 OS 3.0	262700 - 275188
Pos	Description	Pcs	Part No	Note
11	Locking ring Spårring; Schliessring; Circlip	4	20885	
12	End link washer Ändlänksbricka; Endgelenkscheibe; Mailon terminal	2	27876	
13	Chain lock Kedjelås; Kettenschloss; Arret de chaine	2	29689	
14	Screw Skruv; Schraube; Vis	1	27631	
15	Bracket Fäste; Halterung; Support	1	138522	
16	Nut Mutter; Mutter; Ecrou	2	20777	
17	Bracket Fäste; Halterung; Support	1	138517	
18	Screw Skruv; Schraube; Vis	2	26618	
19	Washer Bricka; Scheibe; Rondelle	2	21394	
20	Chain Kedja; Ketten; Chaîne	1	142518	
21	Chain Kedja; Ketten; Chaîne	1	142517	
22	Chain lock Kedjelås; Kettenschloss; Arret de chaine	1	26011	

5330-005 Speed control

[1994-05-30]

Fartreglering; Geschwindigkeitsreglung; Régulation de vitesse

		346 OS 3.0		262700 - 289678	
Pos	Description	Pcs	Part No	Note	
02	Micro switch(Cold stores) Mikrobrytare(Fryshus); Mikroschalter(Gefrieranlage); Interrupteurs(Chambre frigorifique)	2	147228		
02	Micro switch Mikrobrytare; Mikroschalter; Interrupteurs	2	22409		
03	Operating device Manöverdon; Steuerungsvorrichtung; Bras de commande	2	29078		
13	Screw Skruv; Schraube; Vis	2	20720		
14	Bracket Fäste; Halterung; Support	2	134065		
15	Screw Skruv; Schraube; Vis	2	21134		
18	Washer Bricka; Scheibe; Rondelle	2	21392		
19	Nut Mutter; Mutter; Ecrou	2	20255		
20	Screw Skruv; Schraube; Vis	2	20867		
21	Bracket Fäste; Halterung; Support	1	101215		
22	Washer Bricka; Scheibe; Rondelle	2	21317		
23	Nut Mutter; Mutter; Ecrou	2	20257		
24	Gear wheel Kugghjul; Zahnrad; Roue dentée	1	119697		
25	Potentiometer Potentiometer; Potentiometer; Potentiometre	1	136145		

5430-008 Motor cables, resistors

[1996-09-10]

Effektkablar, effektmotstånd; Leistungskabeln, Widerstand; Cables moteur, resistances

			346 OS 3.0	262700 - 295606
Pos	Description	Pcs	Part No	Note
11	Cable(5) Kabel; Kabel; Câble	1	142728	
12	Cable(6) Kabel; Kabel; Câble	1	142730	
13	Cable(7) Kabel; Kabel; Câble	1	142731	
14	Cable(4) Kabel; Kabel; Câble	1	142729	
15	Cable(40) Kabel; Kabel; Câble	1	140819	
16	Insulator Isolator; Isolator; Isolateur	4	65183	
17	Screw Skruv; Schraube; Vis	8	27500	
18	Washer Bricka; Scheibe; Rondelle	4	21393	
19	Nut Mutter; Mutter; Erou	4	20045	
20	Washer Bricka; Scheibe; Rondelle	4	65184	
21	Connector with cable complete(- / +) Handske med kabel komplett; Stromstecker mit Kabel komplett.; Connexion fiche avec câble complete.	1	142459	
22	Cable Kabel; Kabel; Câble	1	142454	
23	Cable Kabel; Kabel; Câble	1	142455	
24	Handle Handtag; Handgriff; Poignée.	1	105116	
25	Screw Skruv; Schraube; Vis	2	26956	
26	Nut Mutter; Mutter; Erou	2	26957	
27	Connector socket Kabelhandske; Leistungverbinder; Connexion socle.	1	128373	
28	Nut Mutter; Mutter; Erou	2	20433	
29	Screw Skruv; Schraube; Vis	2	20871	
30	Washer Bricka; Scheibe; Rondelle	2	20375	
31	Battery cable Batterikabel; Batteriekabel; Câble de batterie	1	142452	
32	Battery cable Batterikabel; Batteriekabel; Câble de batterie	1	142453	
33	Clamp Klamma; Rohrschelle; Collier	2	20942	
34	Connector socket Kabelhandske; Leistungverbinder; Connexion socle.	1	128373	
35	Bracket Fäste; Halterung; Support	1	141167	

6120-033 Hoses and pipes, connection, fixation

[1996-02-21]

Rör-/slangedning, koppl., fastsättning; Rohr/Schlauch/Verschraubung, befestig.; Tuyaux / flexibles raccords

Driver lift; Förarlyft; Aufheben Führer; Radeau de soulèvement, conducteur		346 OS 3.0	262700 - 289678	
Pos	Description	Pcs	Part No	Note
11	Hollow screw Hålskruv; Hohlschraube; Vis à torage	2	29661	
12	Sealing Tätning; Dichtung; Joint	4	23062	
13	Hose Slang; Schlauch; Tuyau flexible	1	147053	
14	Connection Koppling; Kupplung; Raccord	1	28777	
15	Hose Slang; Schlauch; Tuyau flexible	1	142057	
16	Hose Slang; Schlauch; Tuyau flexible	1	142058	
17	Connection Koppling; Kupplung; Raccord	1	28943	
18	Connection Koppling; Kupplung; Raccord	1	28946	
19	Hose Slang; Schlauch; Tuyau flexible	1	143754	
20	Connection Koppling; Kupplung; Raccord	1	28943	
21	Washer Bricka; Scheibe; Rondelle	1	149545	
22	Hose protection(Meter) Slangskydd(Meter); Schlauchschutz(Meter); Protection de tuyau flexible(Metre)		145409	
23	Bracket Fäste; Halterung; Support	4	129399	
24	Screw Skruv; Schraube; Vis	4	27565	
25	Clamp Klamma; Rohrschelle; Collier	6	20942	

CLICK HERE TO **DOWNLOAD** THE COMPLETE MANUAL

- Thank you very much for reading the preview of the manual.
- You can download the complete manual from: www.heydownloads.com by clicking the link below



- Please note: If there is no response to CLICKING the link, please download this PDF first and then click on it.

CLICK HERE TO **DOWNLOAD** THE COMPLETE MANUAL